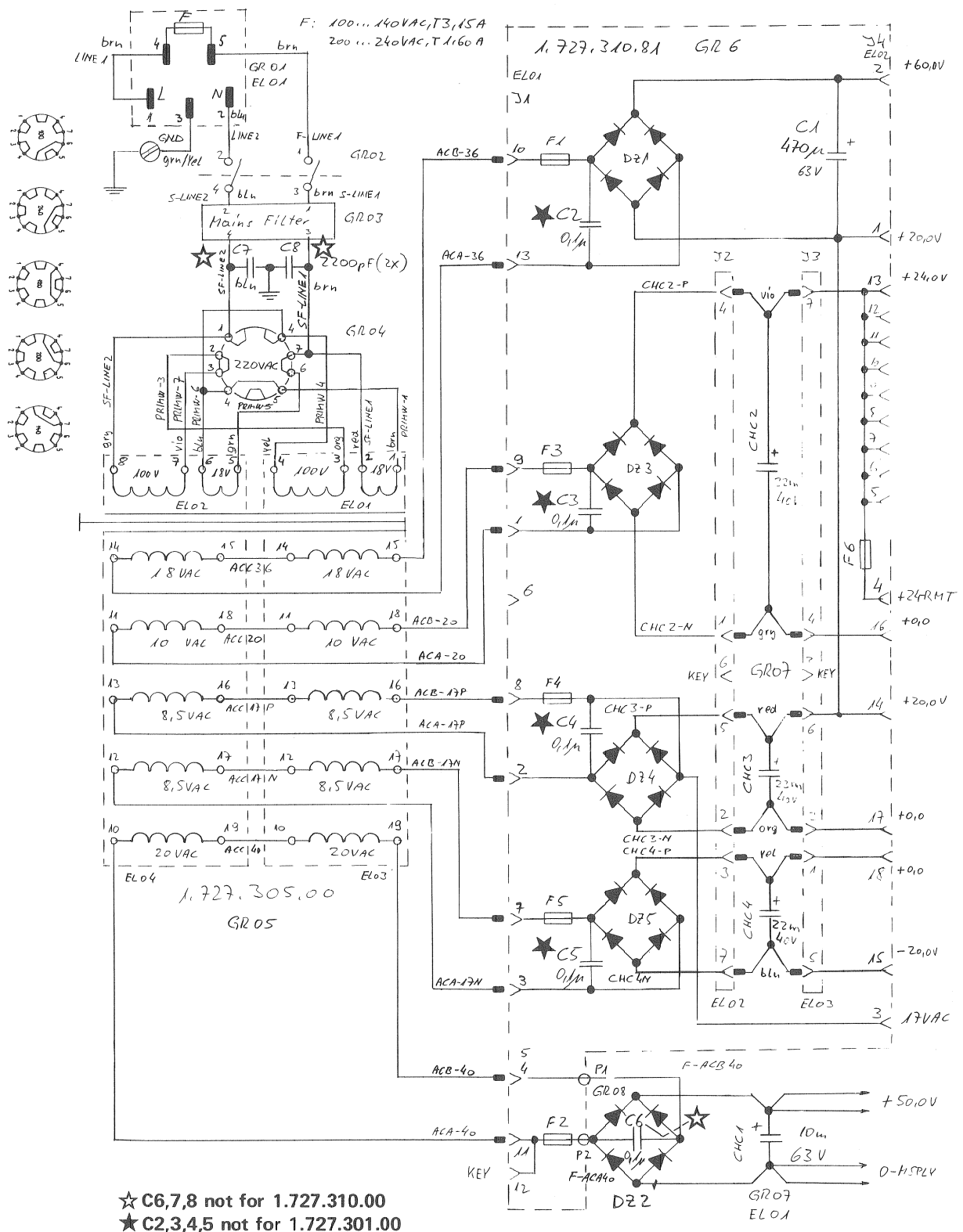
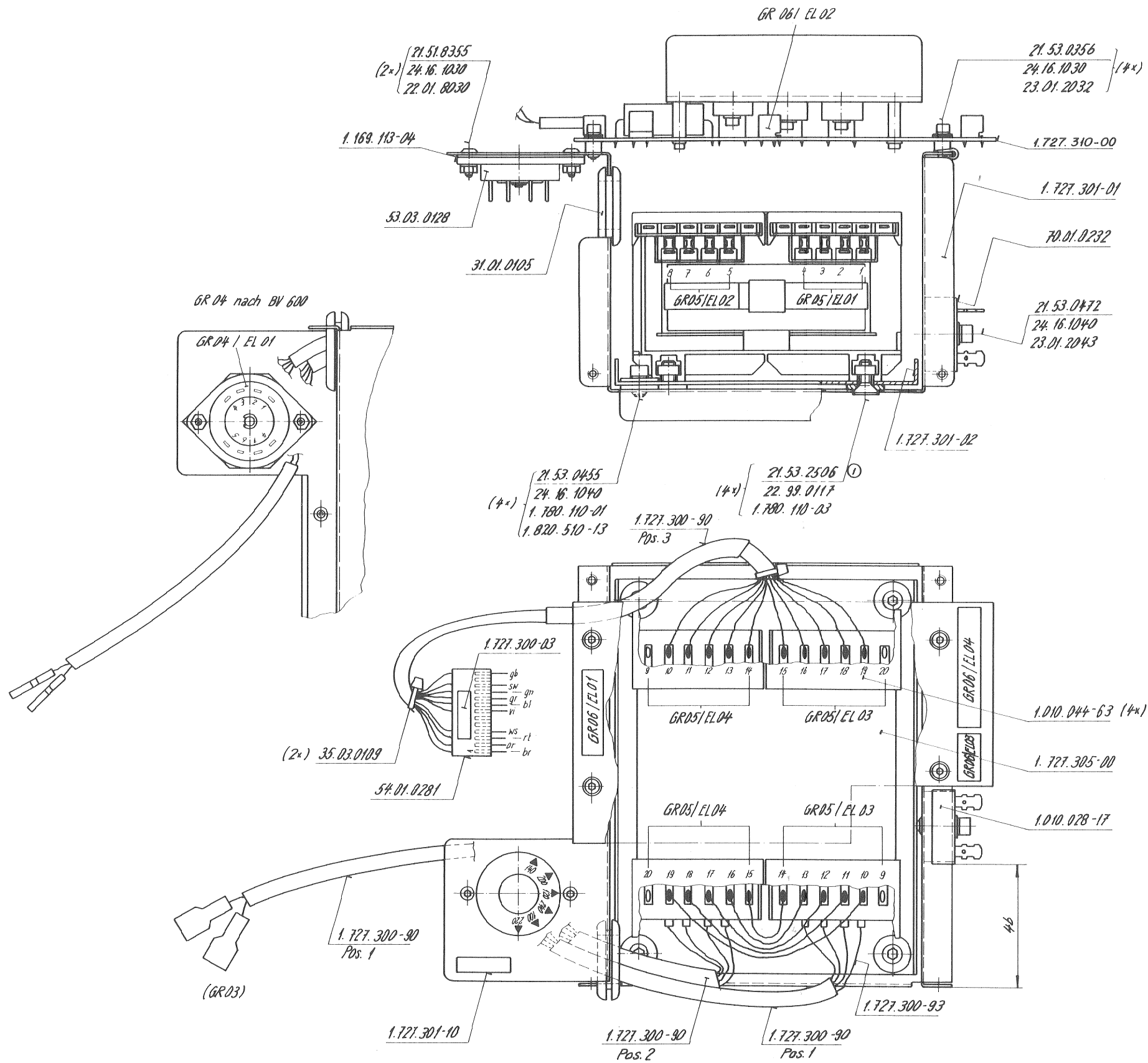


POWER SUPPLY 1.727.301.00/1.727.301.81 (2CH)
-RECTIFIER BOARD 1.727.310.00/1.727.310.81 (2CH)



© 29.4.91	WIK.	○ . .	○ . .	○ . .	○ . .
A 807 GR 2/3/4/5/6					PAGE 1 OF 1
STUDER		POWER SUPPLY			1.727.301.81

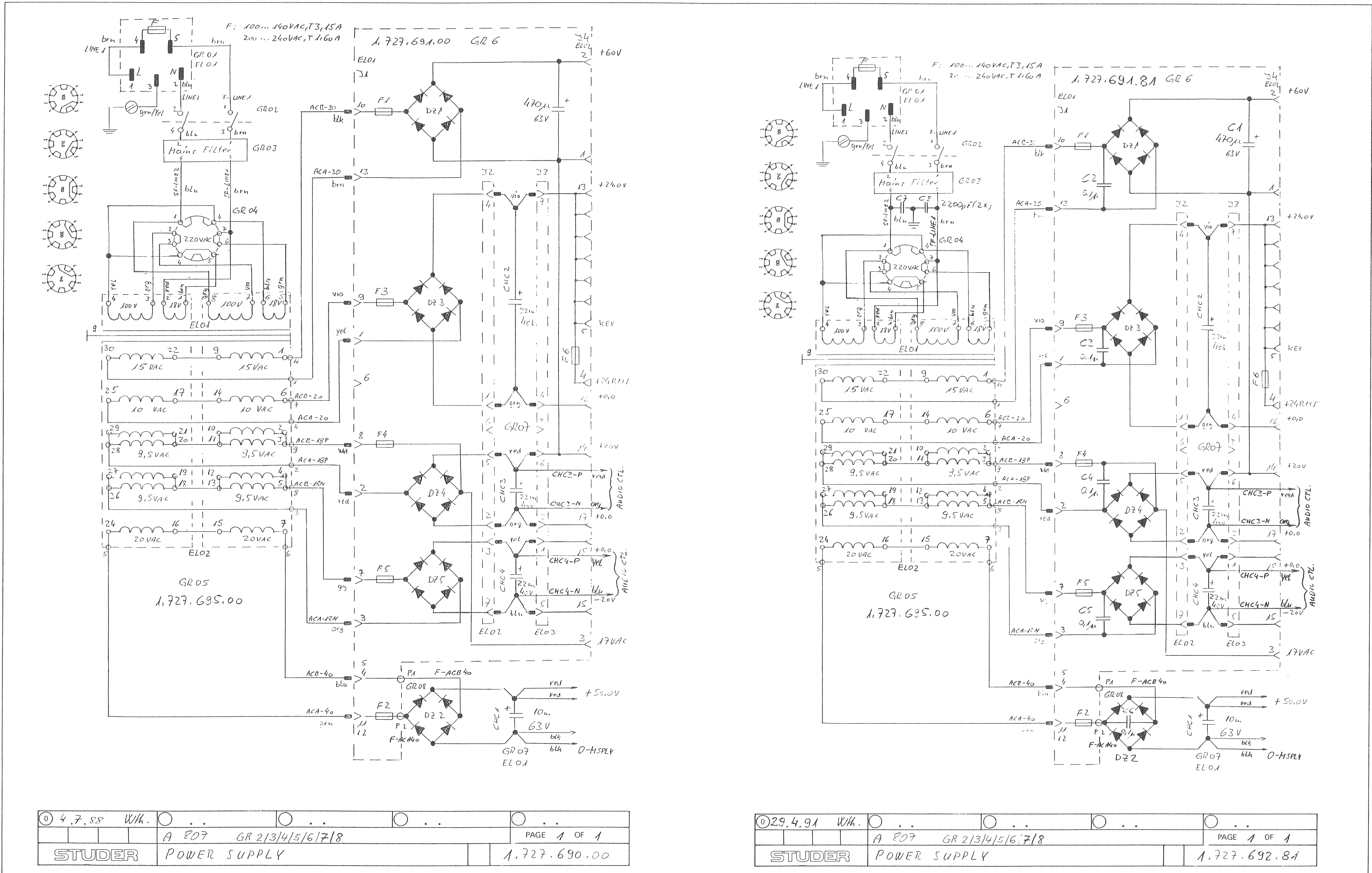
POWER SUPPLY 1.727.301.00 (2CH)



IND.	POS.NO.	PART NO.	VALUE	SPECIFICATIONS / EQUIVALENT	MANUF.
A.....1		1.727.310.00		Rectifier board	GR06 St
CHC...1		59.26.7103	10 mF	-10X 63 V ZL	GR07, Note 1
CHC...2		59.26.6223	22 mF	-10X 40 V ZL	GR07, Note 1
CHC...3		59.26.6223	22 mF	-10X 40 V ZL	GR07, Note 1
CHC...4		59.26.6223	22 mF	-10X 40 V ZL	GR07, Note 1
BZ....2		70.01.0231		Bridge Rect. 100V, 35A	GR08
FL....1		89.01.0384		Main filter, IEC 65 cl.2,	GR03, Note 1
S....1		55.12.0001		Main switch	GR02, Note 1
S....2		53.03.0128		Voltage selector	GR04
F....1		54.42.0003		Main connector	GR01, Note 1
T....1		1.727.305.00		Main transformer	GR05 St

Note 1= In Assembly 1.727.301 not included
 EL=Electrolytic, SI=Silicon
 MANUFACTURER: St=Stader
 ORIG 89/06/26
 S T U D E R (OO) 89/06/26 With POWER SUPPLY EL 1.727.301.00 PAGE 1

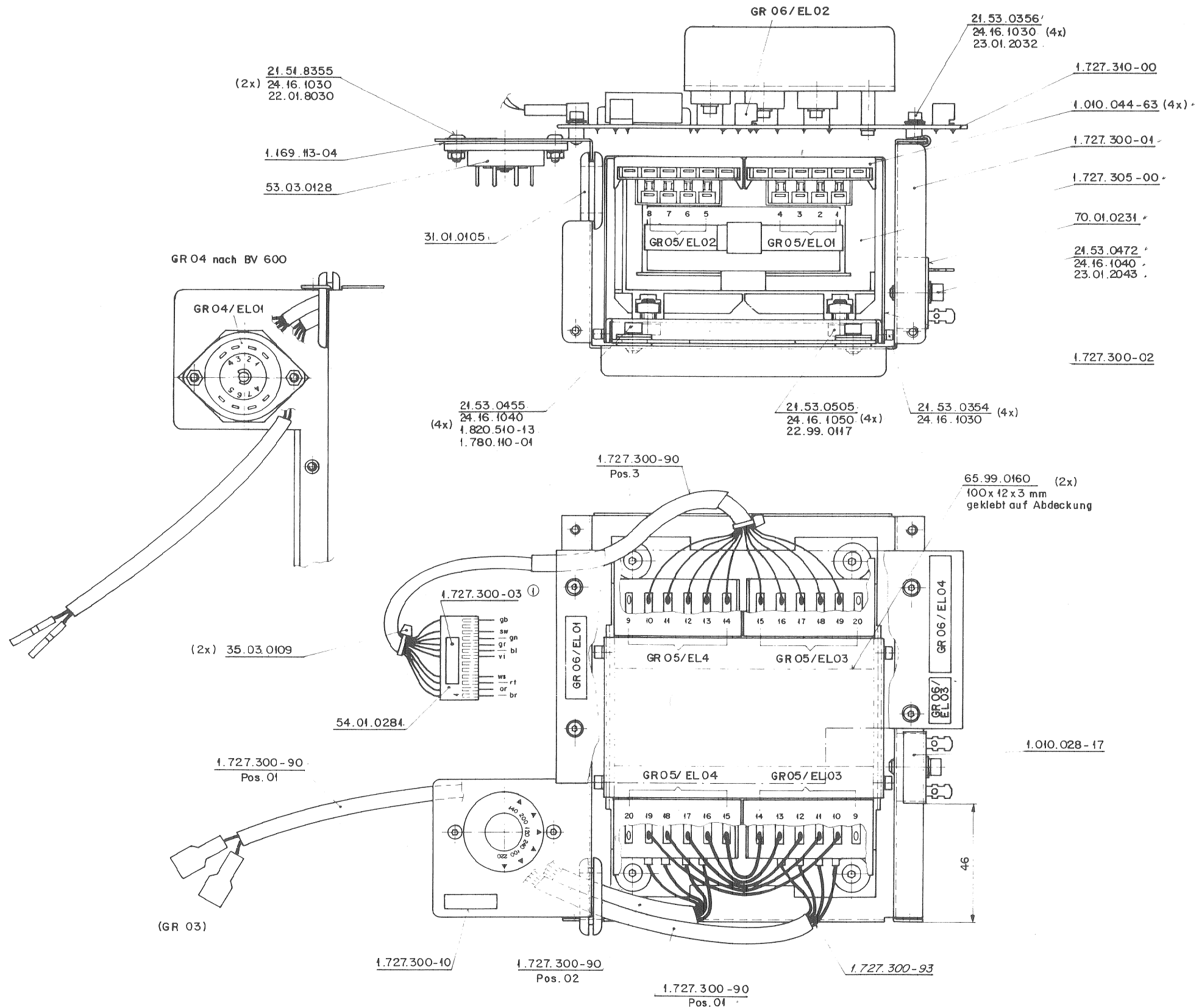
POWER SUPPLY 1.727.690.00/1.727.692.81 (4CH)
 -RECTIFIER BOARD 1.727.691.00/1.727.691.81 (4CH)



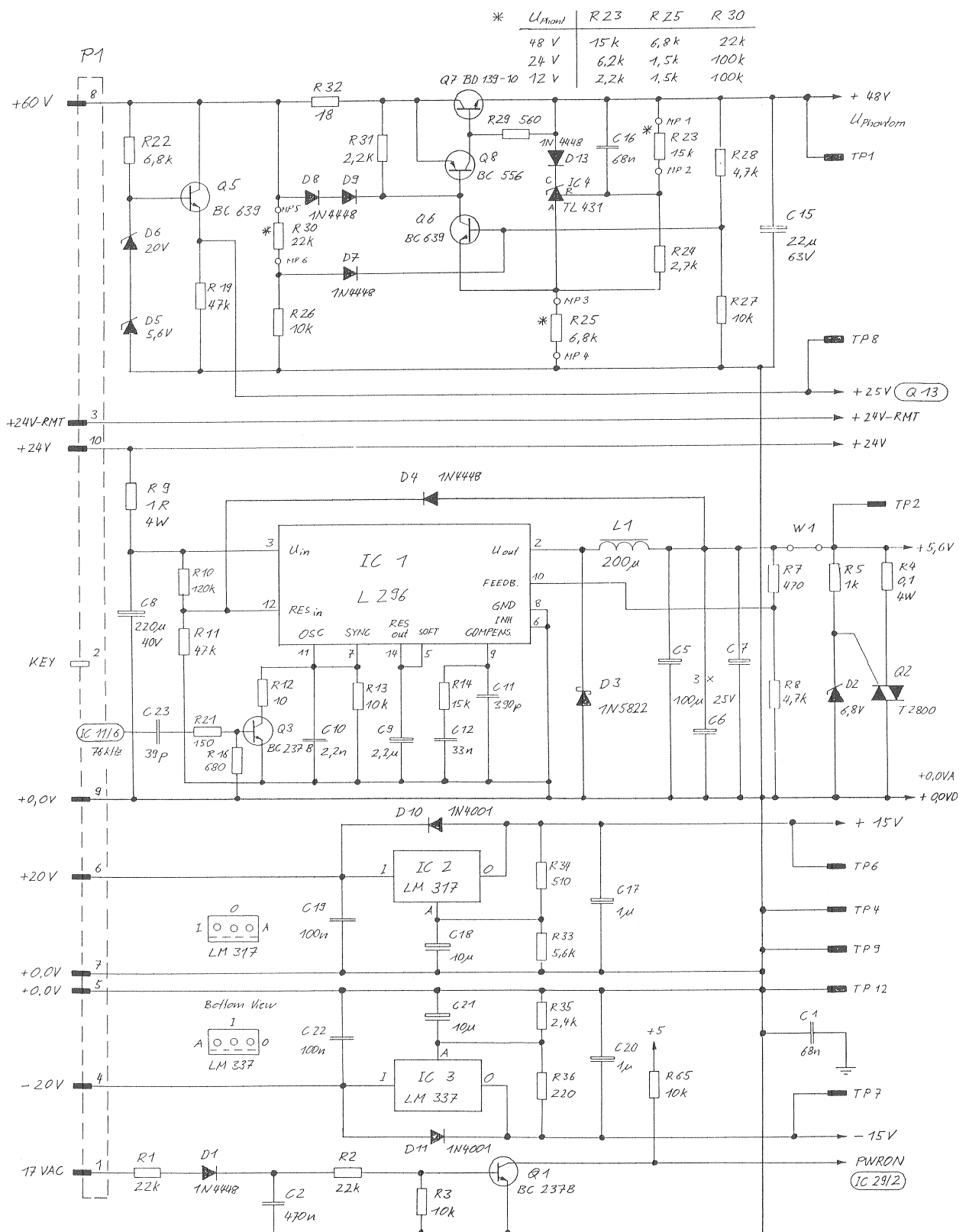
④ 4.7.88 W/H.	○ . .	○ . .	○ . .
A 807 GR 2/3/4/5/6/7/8			PAGE 1 OF 1
STUDER	POWER SUPPLY		1.727.690.00

④ 29.4.91 W/H.	○ . .	○ . .	○ . .
A 807 GR 2/3/4/5/6/7/8			PAGE 1 OF 1
STUDER	POWER SUPPLY		1.727.692.81

POWER SUPPLY 1.727.690.00 (4CH)

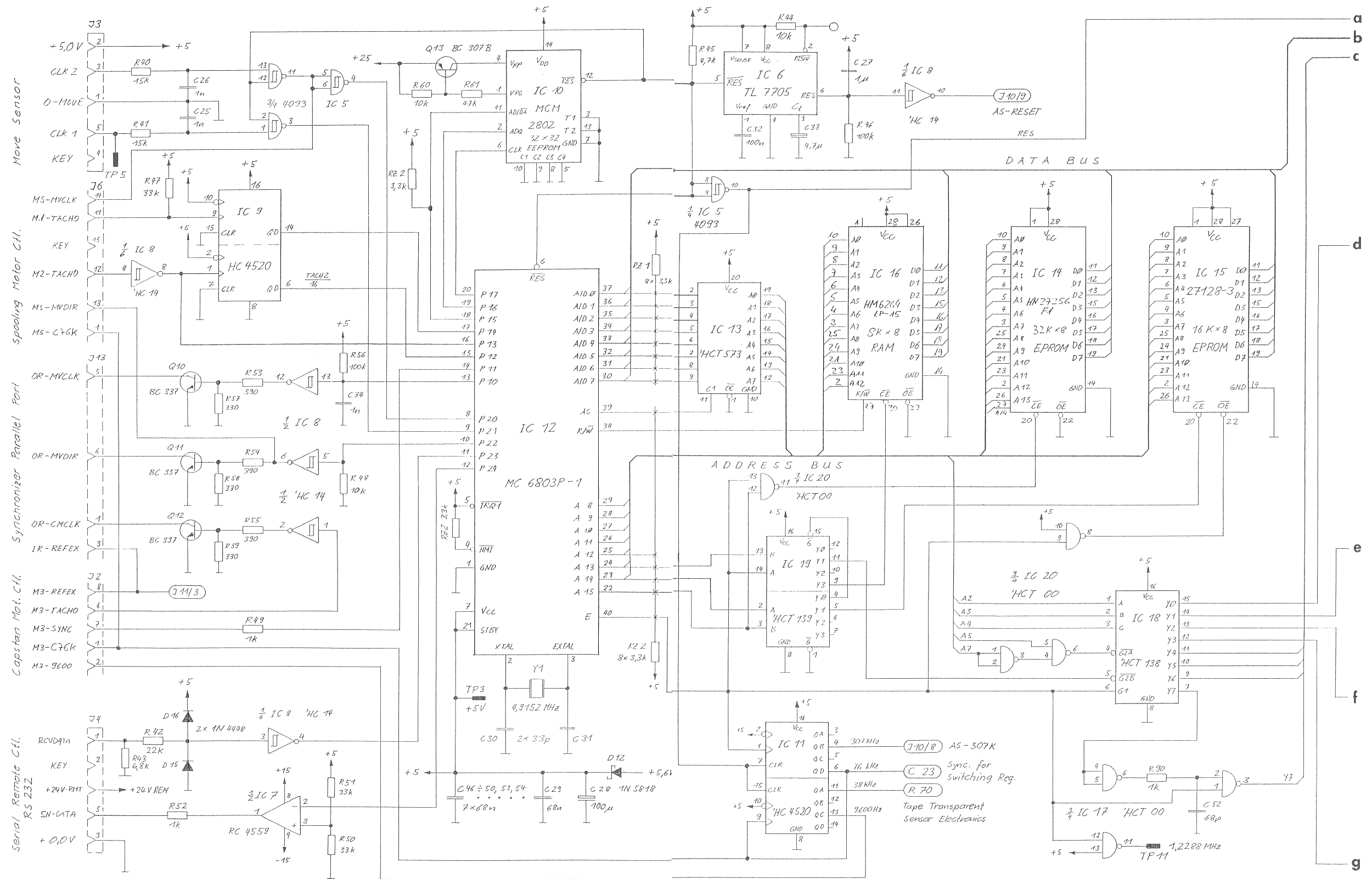


TAPE DECK ELECTRONICS 1.727.650.25
-STABILIZER SECTION



① 20,3,90 Wk	① . .	② . .	○ . .	○ . .
	A 807 GR 10			PAGE 1 OF 5
STUDER	Tape Deck Electronics	SC	1.727.650.25	

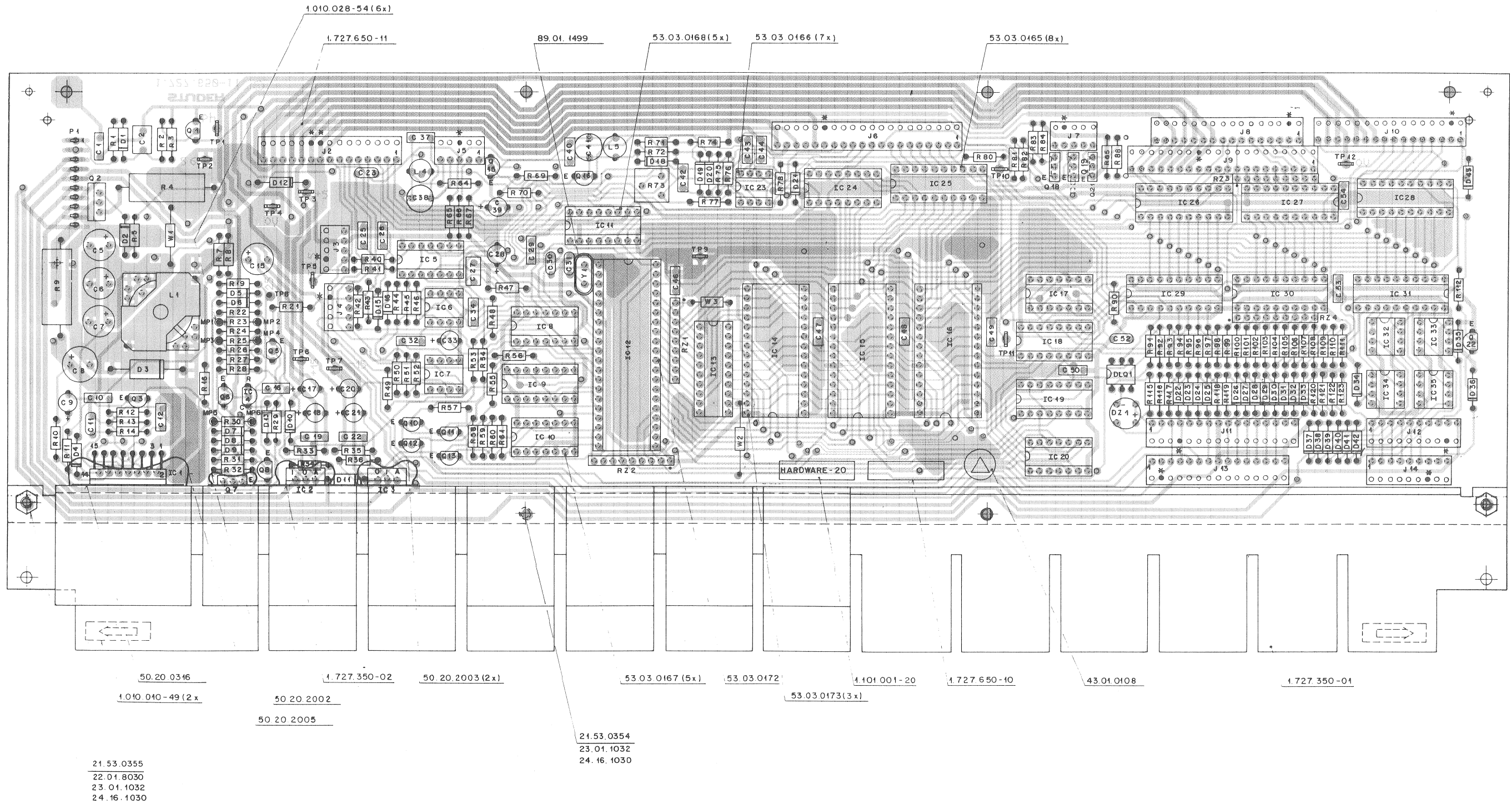
TAPE DECK ELECTRONICS 1.727.650.25



① 20.3.90	WHL	①	...	②	...	③	...
A 807 GR 10				PAGE 2 OF 5			
STUDER Tape Deck Electronics				sc	1.727.650.25		

① 20.3.90	WHL	①	...	②	...	③	...
A 807 GR 10				PAGE 3 OF 5			
STUDER Tape Deck Electronics				sc	1.727.650.25		

TAPE DECK ELECTRONICS 1.727.650.25

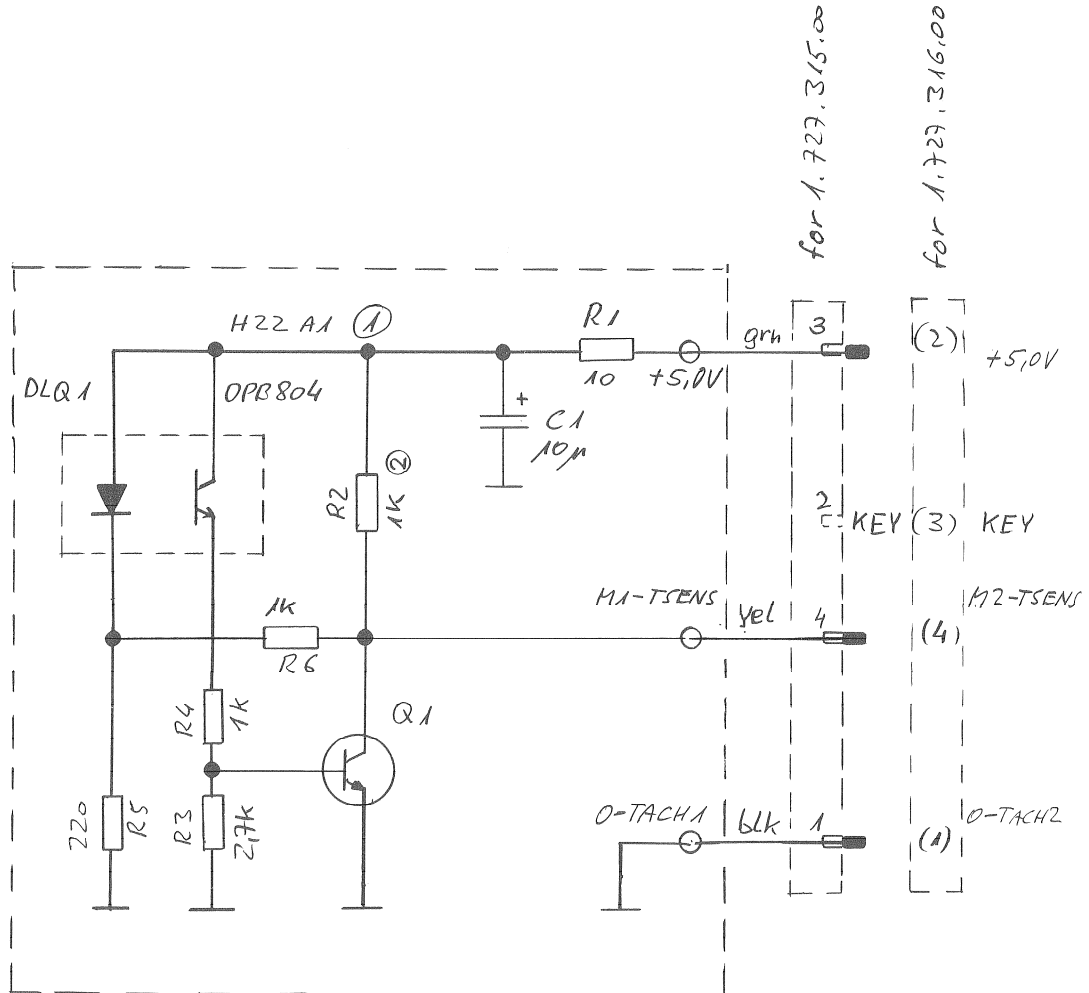


STUDER A807 MKII

TAPE DECK ELECTRONICS 1.727.650.25

IND.	POS.NO.	PART NO.	VALUE	SPECIFICATIONS / EQUIVALENT	MANUF.	IND.	POS.NO.	PART NO.	VALUE	SPECIFICATIONS / EQUIVALENT	MANUF.	IND.	POS.NO.	PART NO.	VALUE	SPECIFICATIONS / EQUIVALENT	MANUF.	IND.	POS.NO.	PART NO.	VALUE	SPECIFICATIONS / EQUIVALENT	MANUF.
C....1	59.06.0683	68 nF	10%	63 V PETF		IC...20	50.17.0000	74 HCT 00				R...36	57.11.3221	220 Ohm	1%	0.25W, MF		XIC..17	53.03.0167	14 Pole		IC Socket	
C....2	59.06.0474	470 nF	10%	63 V PETF		IC...23	50.09.0107	RC 4559				R...40	57.11.3153	15 kOhm	1%	0.25W, MF		XIC..18	53.03.0168	16 Pole		IC Socket	
C....5	59.22.5101	100 uF	-20%	25 V EL		IC...24	50.07.0002	AD 75243N	uPC 4559		ADI	R...41	57.11.3153	15 kOhm	1%	0.25W, MF		XIC..19	53.03.0168	16 Pole		IC Socket	
C....6	59.22.5101	100 uF	-20%	25 V EL		IC...25	50.17.0574	74 HCT574	8 Bit D/A Converter			R...42	57.11.3223	22 kOhm	1%	0.25W, MF		XIC..20	53.03.0167	14 Pole		IC Socket	
C....7	59.22.5101	100 uF	-20%	25 V EL		IC...26	50.17.0574	74 HCT574				R...43	57.11.3682	6.8 kOhm	1%	0.25W, MF		XIC..23	53.03.0166	8 Pole		IC Socket	
C....8	59.22.6221	220 nF	-20%	40 V EL		IC...27	50.17.1541	74 HCT574				R...44	57.11.3103	10 kOhm	1%	0.25W, MF		XIC..24	53.03.0168	16 Pole		IC Socket	
C....9	59.22.8229	2.2 nF	-20%	50 V EL		IC...28	50.17.0574	74 HCT574				R...45	57.11.3472	4.7 kOhm	1%	0.25W, MF		XIC..25	53.03.0165	20 Pole		IC Socket	
C...10	59.06.0222	2.2 nF	10%	63 V PETF		IC...29	50.17.1541	74 HCT 541				R...46	57.11.3104	100 kOhm	1%	0.25W, MF		XIC..26	53.03.0165	20 Pole		IC Socket	
C...11	59.34.5991	390 pF	5%	63 V CER		IC...30	50.17.1541	74 HCT 541				R...47	57.11.3393	33 kOhm	1%	0.25W, MF		XIC..27	53.03.0165	20 Pole		IC Socket	
C...12	59.06.0333	33 nF	10%	63 V PETF		IC...31	50.17.0574	74 HCT574				R...48	57.11.3103	10 kOhm	1%	0.25W, MF		XIC..28	53.03.0165	20 Pole		IC Socket	
C...15	59.22.8220	22 nF	-20%	35 V EL		IC...32	50.05.0203	SN 75463P			TI	R...49	57.11.3102	1 kOhm	1%	0.25W, MF		XIC..29	53.03.0165	20 Pole		IC Socket	
C...16	59.06.0683	68 nF	10%	63 V PETF		IC...33	50.05.0203	SN 75463P			TI	R...50	57.11.3393	330 Ohm	1%	0.25W, MF		XIC..30	53.03.0165	20 Pole		IC Socket	
C...17	59.22.8109	1 nF	-20%	50 V EL		IC...34	50.05.0203	SN 75463P			TI	R...51	57.11.3393	330 Ohm	1%	0.25W, MF		XIC..31	53.03.0165	20 Pole		IC Socket	
C...18	59.22.6100	10 uF	-20%	35 V EL		IC...35	50.05.0203	SN 75463P			TI	R...52	57.11.3102	1 kOhm	1%	0.25W, MF		XIC..32	53.03.0166	8 Pole		IC Socket	
C...19	59.06.0104	100 nF	10%	63 V PETF		J....2	54.01.0219	15 Pole	CIS Socket Strip		AMP	R...53	57.11.3391	390 Ohm	1%	0.25W, MF		XIC..33	53.03.0166	8 Pole		IC Socket	
C...20	59.22.8109	1 nF	-20%	50 V EL		J....3	54.01.0288	5 Pole	CIS Socket Strip		AMP	R...54	57.11.3391	390 Ohm	1%	0.25W, MF		XIC..34	53.03.0166	8 Pole		IC Socket	
C...21	59.22.6100	10 uF	-20%	35 V EL		J....4	54.01.0288	5 Pole	CIS Socket Strip		AMP	R...55	57.11.3391	390 Ohm	1%	0.25W, MF		XIC..35	53.03.0166	8 Pole		IC Socket	
C...22	59.06.0104	100 nF	10%	63 V PETF		J....5	54.01.0288	5 Pole	CIS Socket Strip		AMP	R...56	57.11.3104	100 kOhm	1%	0.25W, MF							
C...23	59.34.2390	39 pF	10%	63 V CER		J....6	54.01.0226	20 Pole	CIS Socket Strip		AMP	R...57	57.11.3391	390 Ohm	1%	0.25W, MF							
C...25	59.06.0102	1 nF	10%	63 V PETF		J....7	54.01.0226	20 Pole	CIS Socket Strip		AMP	R...58	57.11.3391	390 Ohm	1%	0.25W, MF		Y....1	89.01.0560	4.9152MHz	+20 ppm, HC 49 U, Quartz		ITT
C...26	59.06.0102	1 nF	10%	63 V PETF		J....8	54.01.0288	5 Pole	CIS Socket Strip		AMP	R...59	57.11.3391	390 Ohm	1%	0.25W, MF							
C...27	59.06.0105	1 uF	10%	63 V PETF		J....9	54.01.0226	20 Pole	CIS Socket Strip		AMP	R...60	57.11.3103	10 kOhm	1%	0.25W, MF							
C...28	59.22.3101	100 uF	-20%	10 V EL		J...10	54.01.0294	16 Pole	CIS Socket Strip		AMP	R...61	57.11.3473	47 kOhm	1%	0.25W, MF							
C...29	59.06.0683	68 nF	10%	63 V PETF		J...11	54.01.0294	16 Pole	CIS Socket Strip		AMP	R...62	57.11.3392	3.9 kOhm	1%	0.25W, MF							
C...30	59.34.2330	33 pF	10%	63 V CER		J...12	54.01.0294	16 Pole	CIS Socket Strip		AMP	R...63	57.11.3103	10 kOhm	1%	0.25W, MF							
C...31	59.34.2330	33 pF	10%	63 V CER		J...13	54.01.0290	10 Pole	CIS Socket Strip		AMP	R...64	57.11.3470	47 Ohm	1%	0.25W, MF							
C...32	59.06.0104	1 nF	10%	63 V PETF		J...14	54.01.0219	9 Pole	CIS Socket Strip		AMP	R...65	57.11.3103	10 kOhm	1%	0.25W, MF							
C...33	59.22.8479	4.7 uF	-20%	63 V EL		L.....1	1.022.251.00	200Ohm	Filter Coil		St	R...66	57.11.3470	47 Ohm	1%	0.25W, MF							
C...34	59.06.0102	1 nF	10%	63 V PETF		L.....2	62.02.3102	10H	RF Choke 10%			R...67	57.11.3221	220 Ohm	1%	0.25W, MF							
C...37	59.06.0222	2.2 nF	10%	63 V PETF		L.....3	62.02.3102	10H	RF Choke 10%			R...68	57.11.3100	10 Ohm	1%	0.25W, MF							
C...38	59.05.2153	15 nF	2.5%	63 V PETF		MP....1	1.010.028.54	1 Pole	Wrap Pin			R...69	57.11.3562	100 kOhm	1%	0.25W, MF							
C...39	59.22.8109	1 nF	-20%	50 V EL		MP....2	1.010.028.54	1 Pole	Wrap Pin			R...70	58.01.8202	2 kOhm	10%	0.5 W, Cermet, Trimmer							
C...40	59.06.0222	2.2 nF	10%	63 V PETF		MP....3	1.010.028.54	1 Pole	Wrap Pin			R...71	57.11.3100	10 Ohm	1%	0.25W, MF							
C...41	59.05.2153	15 nF	2.5%	63 V PETF		MP....4	1.010.028.54	1 Pole	Wrap Pin			R...72	57.11.3100	10 Ohm	1%	0.25W, MF							
C...42	59.06.0104	100 nF	10%	63 V PETF							R...73	58.01.8202	2 kOhm	10%	0.5 W, Cermet, Trimmer								
C...43	59.34.2390	39 pF	10%	63 V CER							R...74	57.11.3153	15 kOhm	1%	0.25W, MF								
C...44	59.06.0683	68 nF	10%	63 V PETF							R...75	57.11.3104	100 kOhm	1%	0.25W, MF								
											R...76	57.11.3104	100 kOhm	1%	0.25W, MF								
											R...77	57.11.3103	10 kOhm	1%	0.25W, MF								
											R...78	57.11.3182	1.8 kOhm	1%	0.25W, MF								

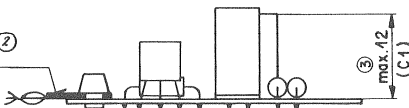
SPOOLING MOTOR TACHO LEFT 1.727.315.00 (4CH)
 -SPOOLING MOTOR TACHO RIGHT 1.727.316.00 (4CH)



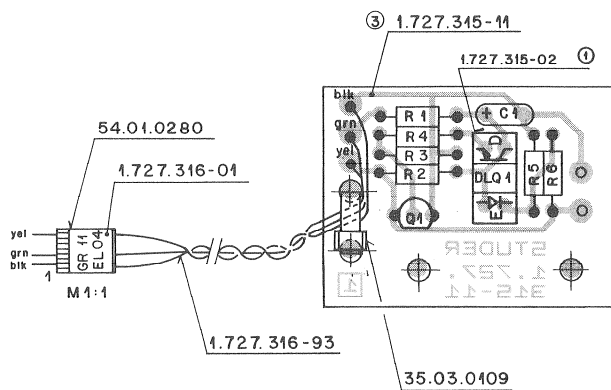
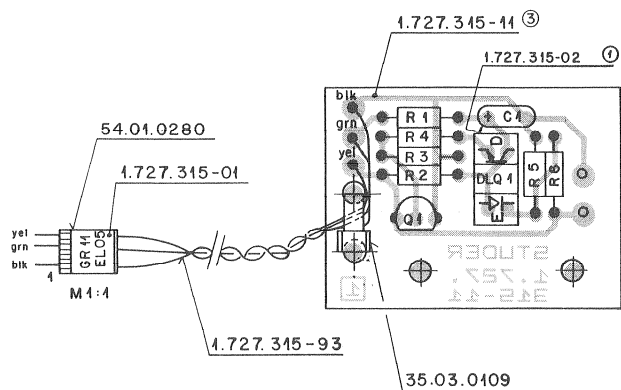
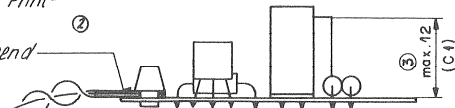
04.11.86 Wth	13.11.87 Wth	21.3.89 GP	○ ..	○ ..
	A 807			PAGE 1 OF 1
STUDER	SPOOLING MOTOR TACHO LEFT		1.727.315.00	
	RIGHT		1.727.316.00	

SPOOLING MOTOR TACHO LEFT 1.727.315.00 (4CH)
-SPOOLING MOTOR TACHO RIGHT 1.727.316.00 (4CH)

Litzen auf Print-
oberfläche
flach anliegend



Litzen auf Print-
oberfläche
flach anliegend



IND.	POS.NO.	PART NO.	VALUE	SPECIFICATIONS / EQUIVALENT	MANUF.
	C.....1	59.26.2100	10 uF	20%, 16V, Sal	Ph
(00)	DLQ...1	50.04.2128	OPB804		Op
(01)	DLQ...1	50.04.2128	H22 A1		GE
	MP....1	1.727.315.11	1 pce	Sp.Motor Tacho PCB	St
	MP....2	1.727.315.93	1 pce	L-LST Sp.Motor Tacho, left	St
	MP....3	54.01.0280	1 pce	CIS Case, 4 Pol	AMP
	MP....4	1.727.315.10	1 pce	No. Label	St
	MP....5	1.727.315.01	1 pce	Label, GR 11 EL 05	St
(01)	MP....6	1.727.315.02	1 pce	Spacer	St
	Q.....1	50.03.0436	BC237B	BC547B, BC550B	ITT, Mot, Ph, Sie, Tf
	R.....1	57.11.3100	10 Ohm	2%, 0.25W, MF	
	R.....2	57.11.3102	1 kOhm	2%, 0.25W, MF	
	R.....3	57.11.3272	2.7 kOhm	2%, 0.25W, MF	
(00)	R.....4	57.11.3332	3.3 kOhm	2%, 0.25W, MF	
(02)	R.....4	57.11.3102	1 kOhm	2%, 0.25W, MF	
	R.....5	57.11.3221	220 Ohm	2%, 0.25W, MF	
	R.....6	57.11.3102	1 kOhm	2%, 0.25W, MF	

IND.	POS.NO.	PART NO.	VALUE	SPECIFICATIONS / EQUIVALENT	MANUF.
	C.....1	59.26.2100	10 uF	20%, 16V, Sal	Ph
(00)	DLQ...1	50.04.2128	OPB804		Op
(01)	DLQ...1	50.04.2128	H22 A1		GE
	MP....1	1.727.315.11	1 pce	Sp.Motor Tacho PCB	St
	MP....2	1.727.316.93	1 pce	L-LST Sp.Motor Tacho, right	St
	MP....3	54.01.0280	1 pce	CIS Case, 4 Pol	AMP
	MP....4	1.727.316.10	1 pce	No. Label	St
	MP....5	1.727.316.01	1 pce	Label, GR 11 EL 04	St
(01)	MP....6	1.727.315.02	1 pce	Spacer	St
	Q.....1	50.03.0436	BC237B	BC547B, BC550B	ITT, Mot, Ph, Sie, Tf
	R.....1	57.11.3100	10 Ohm	2%, 0.25W, MF	
	R.....2	57.11.3102	1 kOhm	2%, 0.25W, MF	
	R.....3	57.11.3272	2.7 kOhm	2%, 0.25W, MF	
(00)	R.....4	57.11.3332	3.3 kOhm	2%, 0.25W, MF	
(02)	R.....4	57.11.3102	1 kOhm	2%, 0.25W, MF	
	R.....5	57.11.3221	220 Ohm	2%, 0.25W, MF	
	R.....6	57.11.3102	1 kOhm	2%, 0.25W, MF	

(01) Type change
 (02) Reduction of Photo-Transistor Switch-Off Time.

Sal=Solid aluminium

MANUFACTURER: ITT=Intermetall, Mot=Motorola, Op=Optron, Ph=Philips,
 Sie=Siemens, Tf=Telefunken, St=Studer

ORIG 85/08/08 (01) 87/11/13 (02) 89/03/21

S T U D E R (02) 89/03/21 GP SP.MOTOR TACHO BOARD, LEFT PL 1.727.315.00 PAGE 1

(01) Type change
 (02) Reduction of Photo-Transistor Switch-Off Time.

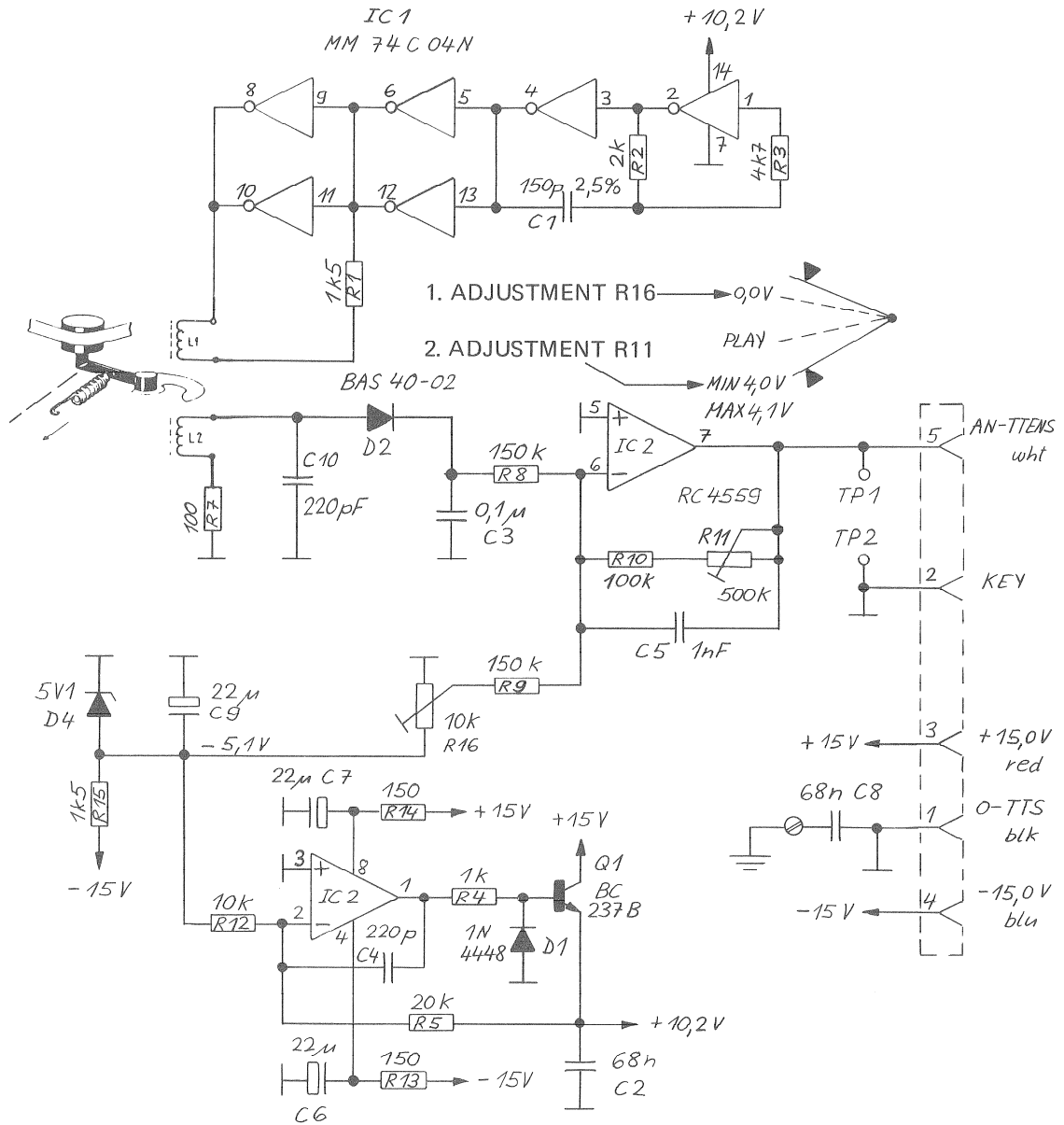
Sal=Solid aluminium

MANUFACTURER: ITT=Intermetall, Mot=Motorola, Op=Optron, Ph=Philips,
 Sie=Siemens, Tf=Telefunken, St=Studer

ORIG 86/08/08 (01) 87/11/13 (02) 89/03/21

S T U D E R (02) 89/03/21 GP SP.MOTOR TACHO BOARD, RIGHT PL 1.727.316.00 PAGE 1

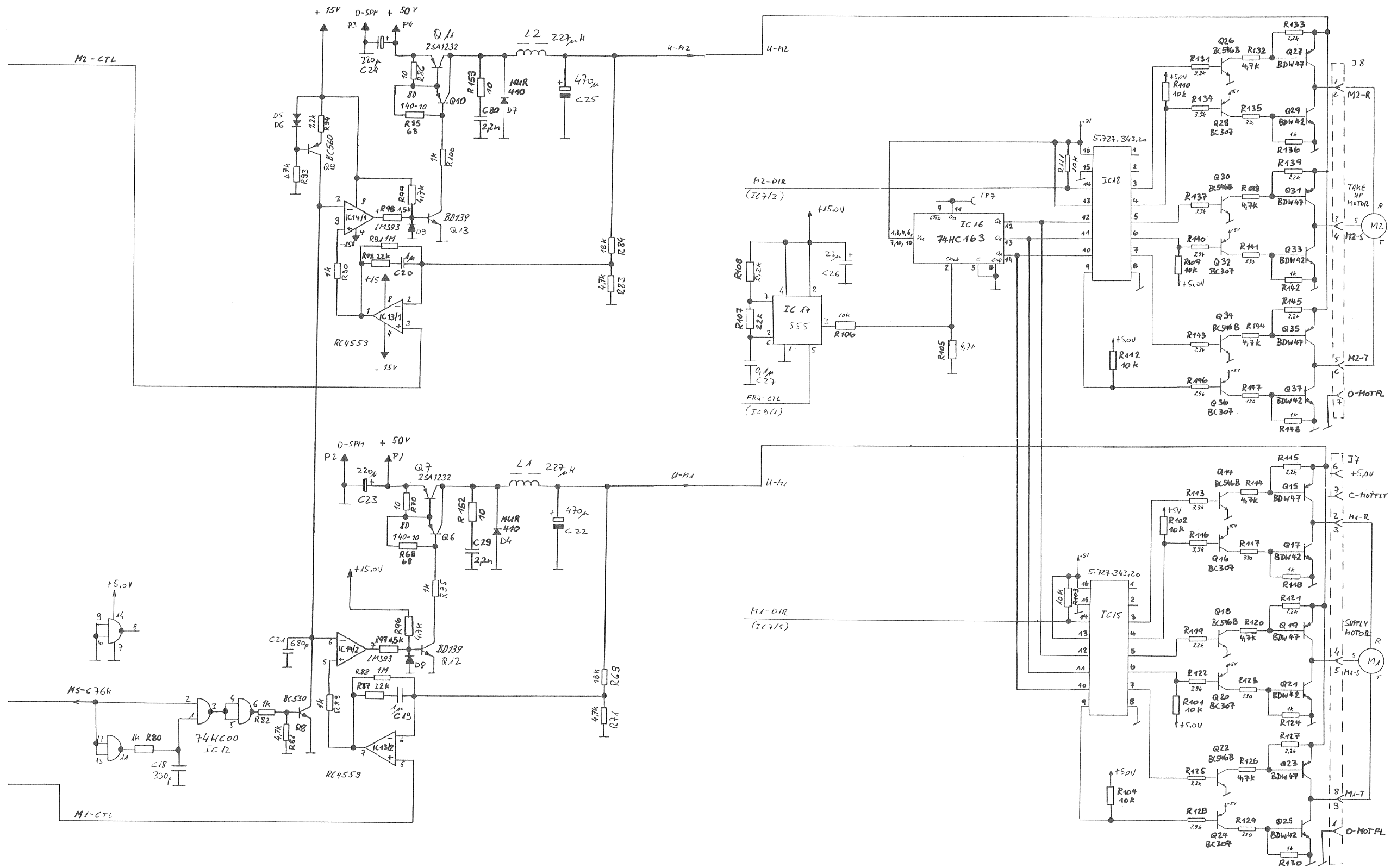
TAPE TENSION SENSOR 1.727.320.00



TP1=TAPE TENSION CONTROL VOLTAGE (+4V-0V)
 TP2=0V

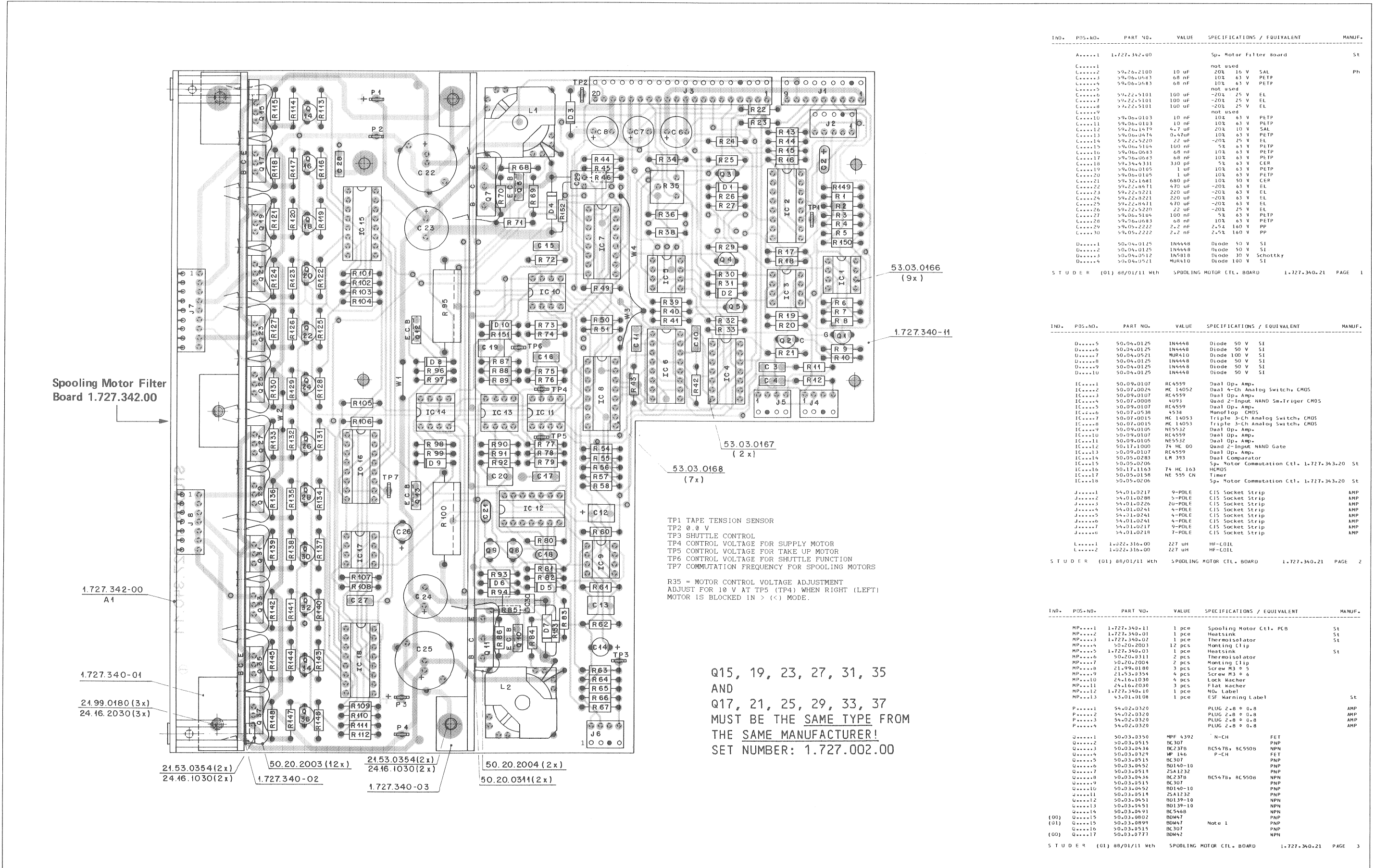
① 20.11.85 GP	① 29.10.86 GP	○ ..	○ ..	○ ..
	A 807 GR13			PAGE 1 OF 1
STUDER	TAPE TENSION SENSOR BOARD	SC	1.727.320.00	

SPooling MOTOR CONTROL 1.727.340.21
 -SHUTTLE CONTROL 1.727.180.00
 -TAPE TENSION ADJUST 1.727.341.00



6.4.87	W/K						
A 807 GR11				PAGE 4 OF 4			
STUDER				SPooling MOTOR CONTROL		1.727.340.21	

SPOOLING MOTOR CONTROL 1.727.340.21



Spooling Motor Filter Board 1.727.342.00

1.727.342-00 A1

1.727.340-01

21.99.0180 (3x)
24.16.2030 (3x)

21.53.0354 (2x)
24.16.1030 (2x)

50.20.2003 (12x)
1.727.340-02

21.53.0354 (2x)
24.16.1030 (2x)
1.727.340-03

50.20.2004 (2x)
50.20.0311 (2x)

TP1 TAPE TENSION SENSOR
TP2 0.0 V
TP3 SHUTTLE CONTROL
TP4 CONTROL VOLTAGE FOR SUPPLY MOTOR
TP5 CONTROL VOLTAGE FOR TAKE UP MOTOR
TP6 CONTROL VOLTAGE FOR SHUTTLE FUNCTION
TP7 COMMUTATION FREQUENCY FOR SPOOLING MOTORS

R35 = MOTOR CONTROL VOLTAGE ADJUSTMENT
ADJUST FOR 10 V AT TP5 (TP4) WHEN RIGHT (LEFT) MOTOR IS BLOCKED IN > (<) MODE.

Q15, 19, 23, 27, 31, 35
AND
Q17, 21, 25, 29, 33, 37
MUST BE THE SAME TYPE FROM
THE SAME MANUFACTURER!
SET NUMBER: 1.727.002.00

IND.	POS-NO.	PART NO.	VALUE	SPECIFICATIONS / EQUIVALENT	MANUF.
A.....1		1.727.342-00		Sp. Motor Filter Board	St
C.....1				not used	
C.....2		59.26.2100	10 uF	20% 16 V SAL	PH
C.....3		59.06.0683	0.8 nF	10% 63 V PETP	
C.....4		59.06.0683	0.8 nF	10% 63 V PETP	
C.....5		59.22.5101	100 uF	-20% 25 V EL	
C.....6		59.22.5101	100 uF	-20% 25 V EL	
C.....7		59.22.5101	100 uF	-20% 25 V EL	
C.....8		59.06.0103	10 nF	10% 63 V PETP	
C.....9		59.06.0103	10 nF	10% 63 V PETP	
C.....10		59.26.1479	4.7 uF	20% 10 V SAL	
C.....11		59.06.0474	0.47 uF	10% 63 V PETP	
C.....12		59.22.5220	22 uF	-20% 25 V EL	
C.....13		59.06.5104	100 nF	5% 63 V PETP	
C.....14		59.06.0683	0.8 nF	10% 63 V PETP	
C.....15		59.06.0683	0.8 nF	10% 63 V PETP	
C.....16		59.06.0683	0.8 nF	10% 63 V PETP	
C.....17		59.06.0683	0.8 nF	10% 63 V PETP	
C.....18		59.34.4331	330 pF	5% 63 V CER	
C.....19		59.06.0105	1 uF	10% 63 V PETP	
C.....20		59.06.0105	1 uF	10% 63 V PETP	
C.....21		59.32.1641	680 pF	10% 50 V CER	
C.....22		59.22.8471	470 uF	-20% 63 V EL	
C.....23		59.22.8221	220 uF	-20% 63 V EL	
C.....24		59.22.8221	220 uF	-20% 63 V EL	
C.....25		59.22.8471	470 uF	-20% 63 V EL	
C.....26		59.22.8220	22 uF	-20% 25 V EL	
C.....27		59.06.5104	100 nF	5% 63 V PETP	
C.....28		59.06.0683	0.8 nF	10% 63 V PETP	
C.....29		59.05.2222	2.2 nF	2.5% 160 V PP	
C.....30		59.05.2222	2.2 nF	2.5% 160 V PP	
D.....1		50.04.0125	1N4448	Diode 50 V SI	
D.....2		50.04.0125	1N4448	Diode 50 V SI	
D.....3		50.04.0125	1N4448	Diode 50 V SI	
D.....4		50.04.0521	MUR410	Diode 100 V SI	

STUDER (01) 88/01/11 Wth SPOOLING MOTOR CTL. BOARD 1.727.340.21 PAGE 1

IND.	POS-NO.	PART NO.	VALUE	SPECIFICATIONS / EQUIVALENT	MANUF.
D.....5		50.04.0125	1N4448	Diode 50 V SI	
D.....6		50.04.0125	1N4448	Diode 50 V SI	
D.....7		50.04.0521	MUR410	Diode 100 V SI	
D.....8		50.04.0125	1N4448	Diode 50 V SI	
D.....9		50.04.0125	1N4448	Diode 50 V SI	
D.....10		50.04.0125	1N4448	Diode 50 V SI	
IC.....1		50.09.0107	RC4559	Dual Op. Amp.	
IC.....2		50.07.0024	MC 14052	Dual 4-Ch Analog Switch, CMOS	
IC.....3		50.09.0107	RC4559	Dual Op. Amp.	
IC.....4		50.07.0008	4091	Quad 2-Input NAND Sm-Trigger CMOS	
IC.....5		50.09.0107	RC4559	Dual Op. Amp.	
IC.....6		50.07.0538	4538	Monoflop CMOS	
IC.....7		50.07.0015	MC 14053	Triple 3-Ch Analog Switch, CMOS	
IC.....8		50.07.0015	MC 14053	Triple 3-Ch Analog Switch, CMOS	
IC.....9		50.09.0105	NE5532	Dual Op. Amp.	
IC.....10		50.09.0107	RC4559	Dual Op. Amp.	
IC.....11		50.09.0105	NE5532	Dual Op. Amp.	
IC.....12		50.17.1000	74 HC 00	Quad 2-Input NAND Gate	
IC.....13		50.09.0107	RC4559	Dual Op. Amp.	
IC.....14		50.05.0283	LM 393	Dual Comparator	
IC.....15		50.05.0206	NE 555 CN	Sp. Motor Commutation Ctl. 1.727.343.20	St
IC.....16		50.17.1163	74 HC 163	HCMOS Timer	
IC.....17		50.05.0158	NE 555 CN	Sp. Motor Commutation Ctl. 1.727.343.20	St
IC.....18		50.05.0206	NE 555 CN	Sp. Motor Commutation Ctl. 1.727.343.20	St
J.....1		54.01.0217	9-POLE	CIS Socket Strip	AMP
J.....2		54.01.0288	5-POLE	CIS Socket Strip	AMP
J.....3		54.01.0226	20-POLE	CIS Socket Strip	AMP
J.....4		54.01.0241	4-POLE	CIS Socket Strip	AMP
J.....5		54.01.0241	4-POLE	CIS Socket Strip	AMP
J.....6		54.01.0241	4-POLE	CIS Socket Strip	AMP
J.....7		54.01.0217	9-POLE	CIS Socket Strip	AMP
J.....8		54.01.0218	7-POLE	CIS Socket Strip	AMP
L.....1		1.022.316.00	227 uH	HF-COIL	
L.....2		1.022.316.00	227 uH	HF-COIL	

STUDER (01) 88/01/11 Wth SPOOLING MOTOR CTL. BOARD 1.727.340.21 PAGE 2

IND.	POS-NO.	PART NO.	VALUE	SPECIFICATIONS / EQUIVALENT	MANUF.
MP.....1		1.727.340.11	1 pce	Spooling Motor Ctl. PCB	St
MP.....2		1.727.340.01	1 pce	HeatSink	St
MP.....3		1.727.340.02	1 pce	Thermoisolator	St
MP.....4		50.20.2003	12 pcs	Mounting Clip	
MP.....5		1.727.340.03	1 pce	HeatSink	St
MP.....6		50.05.0329	2 pcs	Thermoisolator	
MP.....7		50.20.2004	2 pcs	Mounting Clip	
MP.....8		21.99.0180	3 pcs	Screw M3 x 5	
MP.....9		21.53.0354	4 pcs	Screw M3 x 5	
MP.....10		24.16.1030	4 pcs	Lock Washer	
MP.....11		24.16.2030	3 pcs	Flat Washer	
MP.....12		1.727.340.10	1 pce	NO. Label	
MP.....13		43.01.0108	1 pce	ESF Warning Label	St
P.....1		54.02.0320		PLUG 2.8 x 0.8	AMP
P.....2		54.02.0320		PLUG 2.8 x 0.8	AMP
P.....3		54.02.0320		PLUG 2.8 x 0.8	AMP
P.....4		54.02.0320		PLUG 2.8 x 0.8	AMP
Q.....1		50.03.0350	MPF 4392	N-CH	FET
Q.....2		50.03.0515	BC307		PNP
Q.....3		50.03.0436	BC237B	BC547B, BC550B	NPN
Q.....4		50.03.0518	MP 166		FET
Q.....5		50.03.0515	BC307		PNP
Q.....6		50.03.0452	BD140-10		PNP
Q.....7		50.03.0518	25A1232		PNP
Q.....8		50.03.0436	BC237B	BC547B, BC550B	NPN
Q.....9		50.03.0515	BC307		PNP
Q.....10		50.03.0452	BD140-10		PNP
Q.....11		50.03.0518	25A1232		PNP
Q.....12		50.03.0451	BD139-10		NPN
Q.....13		50.03.0451	BD139-10		NPN
Q.....14		50.03.0491	BC548B		NPN
Q.....15		50.03.0802	BDW47		PNP
Q.....16		50.03.0899	BDW47	Note 1	PNP
Q.....17		50.03.0515	BC307		PNP
Q.....18		50.03.0771	BDW47		NPN

STUDER (01) 88/01/11 Wth SPOOLING MOTOR CTL. BOARD 1.727.340.21 PAGE 3

SPOOLING MOTOR CONTROL 1.727.340.21

IND.	POS. NO.	PART NO.	VALUE	SPECIFICATIONS / EQUIVALENT	MANUF.
(01)	U-----17	50-03-0849	BDW42	Note 1	NPN
(00)	U-----18	50-03-0491	BC546B		NPN
(00)	U-----19	50-03-0802	BDW47		PNP
(01)	U-----19	50-03-0899	BDW47	Note 1	PNP
(00)	U-----20	50-03-0515	BC307		PNP
(00)	U-----21	50-03-0777	BDW42		NPN
(01)	U-----21	50-03-0849	BDW42	Note 1	NPN
(00)	U-----22	50-03-0491	BC546B		NPN
(00)	U-----23	50-03-0802	BDW47		PNP
(01)	U-----23	50-03-0899	BDW47	Note 1	PNP
(00)	U-----24	50-03-0515	BC307		PNP
(00)	U-----25	50-03-0777	BDW42		NPN
(01)	U-----25	50-03-0849	BDW42	Note 1	NPN
(00)	U-----26	50-03-0491	BC546B		NPN
(00)	U-----27	50-03-0802	BDW47		PNP
(01)	U-----27	50-03-0899	BDW47	Note 1	PNP
(00)	U-----28	50-03-0515	BC307		PNP
(00)	U-----29	50-03-0777	BDW42		NPN
(01)	U-----29	50-03-0849	BDW42	Note 1	NPN
(00)	U-----30	50-03-0491	BC546B		NPN
(01)	U-----30	50-03-0802	BDW47	Note 1	PNP
(00)	U-----31	50-03-0899	BDW47		PNP
(00)	U-----32	50-03-0515	BC307		PNP
(00)	U-----33	50-03-0777	BDW42		NPN
(01)	U-----33	50-03-0849	BDW42	Note 1	NPN
(00)	U-----34	50-03-0491	BC546B		NPN
(00)	U-----35	50-03-0802	BDW47		PNP
(01)	U-----35	50-03-0899	BDW47	Note 1	PNP
(00)	U-----36	50-03-0515	BC307		PNP
(00)	U-----37	50-03-0777	BDW42		NPN
(01)	U-----37	50-03-0849	BDW42	Note 1	NPN
R-----1	57-11-4103	10 kOhm	2%, 0.25W, MF		
R-----2	57-11-4103	10 kOhm	2%, 0.25W, MF		
R-----3	57-11-4101	100 Ohm	2%, 0.25W, MF		
R-----4	57-11-4333	33 kOhm	2%, 0.25W, MF		
R-----5	57-11-4333	33 kOhm	2%, 0.25W, MF		

IND.	POS. NO.	PART NO.	VALUE	SPECIFICATIONS / EQUIVALENT	MANUF.
R-----80	57-11-4102	1 kOhm	2%, 0.25W, MF		
R-----81	57-11-4472	4.7 kOhm	2%, 0.25W, MF		
R-----82	57-11-4102	1 kOhm	2%, 0.25W, MF		
R-----83	57-11-4472	4.7 kOhm	2%, 0.25W, MF		
R-----84	57-11-4143	18 kOhm	2%, 0.25W, MF		
R-----85	57-11-4680	68 Ohm	2%, 0.25W, MF		
R-----86	57-11-4100	10 Ohm	2%, 0.25W, MF		
R-----87	57-11-4223	22 kOhm	2%, 0.25W, MF		
R-----88	57-11-4105	1 MOhm	2%, 0.25W, MF		
R-----89	57-11-4102	1 kOhm	2%, 0.25W, MF		
R-----90	57-11-4102	1 kOhm	2%, 0.25W, MF		
R-----91	57-11-4105	1 MOhm	2%, 0.25W, MF		
R-----92	57-11-4223	22 kOhm	2%, 0.25W, MF		
R-----93	57-11-4472	4.7 kOhm	2%, 0.25W, MF		
R-----94	57-11-4122	1.2 kOhm	2%, 0.25W, MF		
R-----95	57-06-4102	1 kOhm	5%, 4 W, DR		
R-----96	57-11-4472	4.7 kOhm	2%, 0.25W, MF		
R-----97	57-11-4192	1.5 kOhm	2%, 0.25W, MF		
R-----98	57-11-4152	1.5 kOhm	2%, 0.25W, MF		
R-----99	57-11-4472	4.7 kOhm	2%, 0.25W, MF		
R-----100	57-06-4102	1 kOhm	5%, 4 W, DR		
R-----101	57-11-4103	10 kOhm	2%, 0.25W, MF		
R-----102	57-11-4103	10 kOhm	2%, 0.25W, MF		
R-----103	57-11-4103	10 kOhm	2%, 0.25W, MF		
R-----104	57-11-4103	10 kOhm	2%, 0.25W, MF		
R-----105	57-11-4472	4.7 kOhm	2%, 0.25W, MF		
R-----106	57-11-4103	10 kOhm	2%, 0.25W, MF		
R-----107	57-11-4223	22 kOhm	2%, 0.25W, MF		
R-----108	57-11-4822	8.2 kOhm	2%, 0.25W, MF		
R-----109	57-11-4103	10 kOhm	2%, 0.25W, MF		
R-----110	57-11-4103	10 kOhm	2%, 0.25W, MF		
R-----111	57-11-4103	10 kOhm	2%, 0.25W, MF		
R-----112	57-11-4103	10 kOhm	2%, 0.25W, MF		
R-----113	57-11-4332	3.3 kOhm	2%, 0.25W, MF		
R-----114	57-11-4472	4.7 kOhm	2%, 0.25W, MF		
R-----115	57-11-4222	2.2 kOhm	2%, 0.25W, MF		
R-----116	57-11-4392	3.9 kOhm	2%, 0.25W, MF		

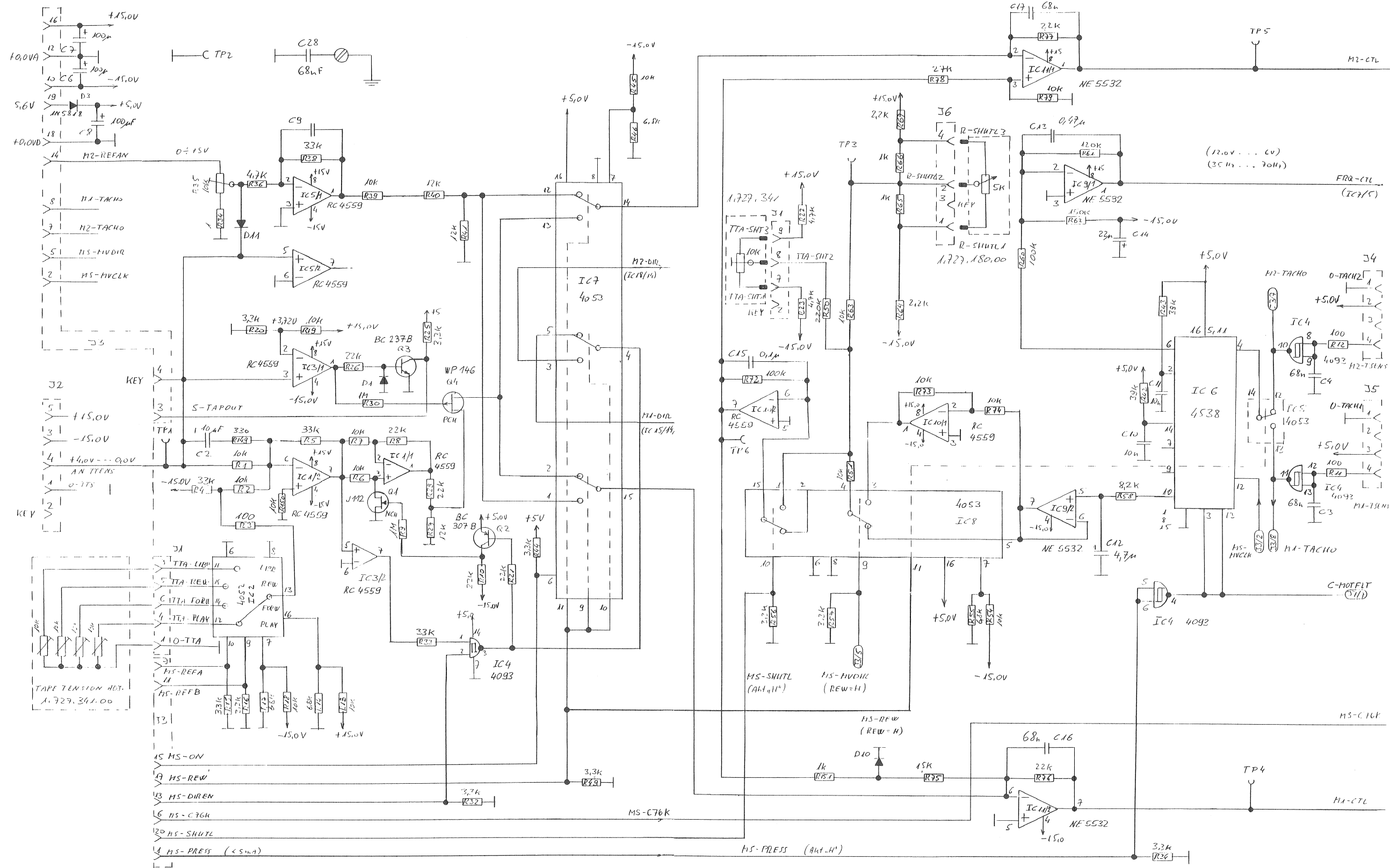
Note 1: Q15, 19, 23, 27, 31 and 35 and Q16, 21, 25, 29, 33 and 37 must be the same type from the same manufacturer.
 EL=Electrolytic; PETP=Polyester; PP=Polypropylene; SI=Silicon; MF=Metal Film; PMG=Cermet; CER=Ceramic; SAL=Solid Aluminium
 MANUFACTURER: AMP=AMP; Ph=Philips; St=Studer

IND.	POS. NO.	PART NO.	VALUE	SPECIFICATIONS / EQUIVALENT	MANUF.
R-----6	57-11-4103	10 kOhm	2%, 0.25W, MF		
R-----7	57-11-4103	10 kOhm	2%, 0.25W, MF		
R-----8	57-11-4223	22 kOhm	2%, 0.25W, MF		
R-----9	57-11-4105	1 MOhm	2%, 0.25W, MF		
R-----10	57-11-4223	22 kOhm	2%, 0.25W, MF		
R-----11	57-11-4101	100 Ohm	2%, 0.25W, MF		
R-----12	57-11-4101	100 Ohm	2%, 0.25W, MF		
R-----13	57-11-4103	10 kOhm	2%, 0.25W, MF		
R-----14	57-11-4682	6.8 kOhm	2%, 0.25W, MF		
R-----15	57-11-4332	3.3 kOhm	2%, 0.25W, MF		
R-----16	57-11-4332	3.3 kOhm	2%, 0.25W, MF		
R-----17	57-11-4682	6.8 kOhm	2%, 0.25W, MF		
R-----18	57-11-4103	10 kOhm	2%, 0.25W, MF		
R-----19	57-11-4103	10 kOhm	2%, 0.25W, MF		
R-----20	57-11-4332	3.3 kOhm	2%, 0.25W, MF		
R-----21	57-11-4223	22 kOhm	2%, 0.25W, MF		
R-----22	57-11-4472	4.7 kOhm	2%, 0.25W, MF		
R-----23	57-11-4472	4.7 kOhm	2%, 0.25W, MF		
R-----24	57-11-4332	3.3 kOhm	2%, 0.25W, MF		
R-----25	57-11-4332	3.3 kOhm	2%, 0.25W, MF		
R-----26	57-11-4223	22 kOhm	2%, 0.25W, MF		
R-----27	57-11-4123	12 kOhm	2%, 0.25W, MF		
R-----28		not used			
R-----29	57-11-4223	22 kOhm	2%, 0.25W, MF		
R-----30	57-11-4105	1 MOhm	2%, 0.25W, MF		
R-----31	57-11-4223	22 kOhm	2%, 0.25W, MF		
R-----32	57-11-4332	3.3 kOhm	2%, 0.25W, MF		
R-----33	57-11-4333	33 kOhm	2%, 0.25W, MF		
R-----34	57-11-4109	1 Ohm	2%, 0.25W, MF		
R-----35	58-01-4103	10 kOhm	not used, PMG		
R-----36	57-11-4103	10 kOhm	2%, 0.25W, MF		
R-----37		not used			
R-----38	57-11-4333	33 kOhm	2%, 0.25W, MF		
R-----39	57-11-4103	10 kOhm	2%, 0.25W, MF		
R-----40	57-11-4123	12 kOhm	2%, 0.25W, MF		
R-----41	57-11-4123	12 kOhm	2%, 0.25W, MF		
R-----42	57-11-4393	39 kOhm	2%, 0.25W, MF		

IND.	POS. NO.	PART NO.	VALUE	SPECIFICATIONS / EQUIVALENT	MANUF.
R-----43	57-11-4393	39 kOhm	2%, 0.25W, MF		
R-----44	57-11-4332	3.3 kOhm	2%, 0.25W, MF		
R-----45	57-11-4103	10 kOhm	2%, 0.25W, MF		
R-----46	57-11-4682	6.8 kOhm	2%, 0.25W, MF		
R-----47		not used			
R-----48		not used			
R-----49	57-11-4332	3.3 kOhm	2%, 0.25W, MF		
R-----50	57-11-4224	220 kOhm	2%, 0.25W, MF		
R-----51	57-11-4103	10 kOhm	2%, 0.25W, MF		
R-----52		not used			
R-----53		not used			
R-----54	57-11-4103	10 kOhm	2%, 0.25W, MF		
R-----55	57-11-4682	6.8 kOhm	2%, 0.25W, MF		
R-----56	57-11-4332	3.3 kOhm	2%, 0.25W, MF		
R-----57	57-11-4332	3.3 kOhm	2%, 0.25W, MF		
R-----58	57-11-4022	8.2 kOhm	2%, 0.25W, MF		
R-----59		not used			
R-----60	57-11-4104	100 kOhm	2%, 0.25W, MF		
R-----61	57-11-4124	120 kOhm	2%, 0.25W, MF		
R-----62	57-11-4194	190 kOhm	2%, 0.25W, MF		
R-----63	57-11-4103	10 kOhm	2%, 0.25W, MF		
R-----64	57-11-4222	2.2 kOhm	2%, 0.25W, MF		
R-----65	57-11-4102	1 kOhm	2%, 0.25W, MF		
R-----66	57-11-4102	1 kOhm	2%, 0.25W, MF		
R-----67	57-11-4222	2.2 kOhm	2%, 0.25W, MF		
R-----68	57-11-4680	68 Ohm	2%, 0.25W, MF		
R-----69	57-11-4183	18 kOhm	2%, 0.25W, MF		
R-----70	57-11-4100	10 Ohm	2%, 0.25W, MF		
R-----71	57-11-4472	4.7 kOhm	2%, 0.25W, MF		
R-----72	57-11-4104	100 kOhm	2%, 0.25W, MF		
R-----73	57-11-4103	10 kOhm	2%, 0.25W, MF		
R-----74	57-11-4103	10 kOhm	2%, 0.25W, MF		
R-----75	57-11-4103	10 kOhm	2%, 0.25W, MF		
R-----76	57-11-4223	22 kOhm	2%, 0.25W, MF		
R-----77	57-11-4223	22 kOhm	2%, 0.25W, MF		
R-----78	57-11-4213	27 kOhm	2%, 0.25W, MF		
R-----79	57-11-4103	10 kOhm	2%, 0.25W, MF		

TP-----1	54-02-0320	Test Point	AMP
TP-----2	54-02-0320	Test Point	AMP
TP-----3	54-02-0320	Test Point	AMP
TP-----4	54-02-0320	Test Point	AMP
TP-----5	54-02-0320	Test Point	AMP
TP-----6	54-02-0320	Test Point	AMP
TP-----7	54-02-0320	Test Point	AMP
W-----1	64-01-0106	Wire Bridge	
W-----2	64-01-0106	Wire Bridge	
W-----3	1-010-107-64	Wire Bridge	
W-----4	1-010-109-64	Wire Bridge	
XIC-----1	53-03-0186	8 Pole IC Socket	
XIC-----2	53-03-0188	16 Pole IC Socket	
XIC-----3	53-03-0186	8 Pole IC Socket	
XIC-----4	53-03-0187	14 Pole IC Socket	
XIC-----5	53-03-0186	8 Pole IC Socket	
XIC-----6	53-03-0188	16 Pole IC Socket	
XIC-----7	53-03-0188	16 Pole IC Socket	
XIC-----8	53-03-0186	8 Pole IC Socket	
XIC-----9	53-03-0186	8 Pole IC Socket	
XIC-----10	53-03-0186	8 Pole IC Socket	
XIC-----11	53-03-0186	8 Pole IC Socket	
XIC-----12	53-03-0187	14 Pole IC Socket	
XIC-----13	53-03-0186	8 Pole IC Socket	
XIC-----14	53-03-0186	8 Pole IC Socket	
XIC-----15	53-03-0188	16 Pole IC Socket	
XIC-----16	53-03-0188	16 Pole IC Socket	
XIC-----17			

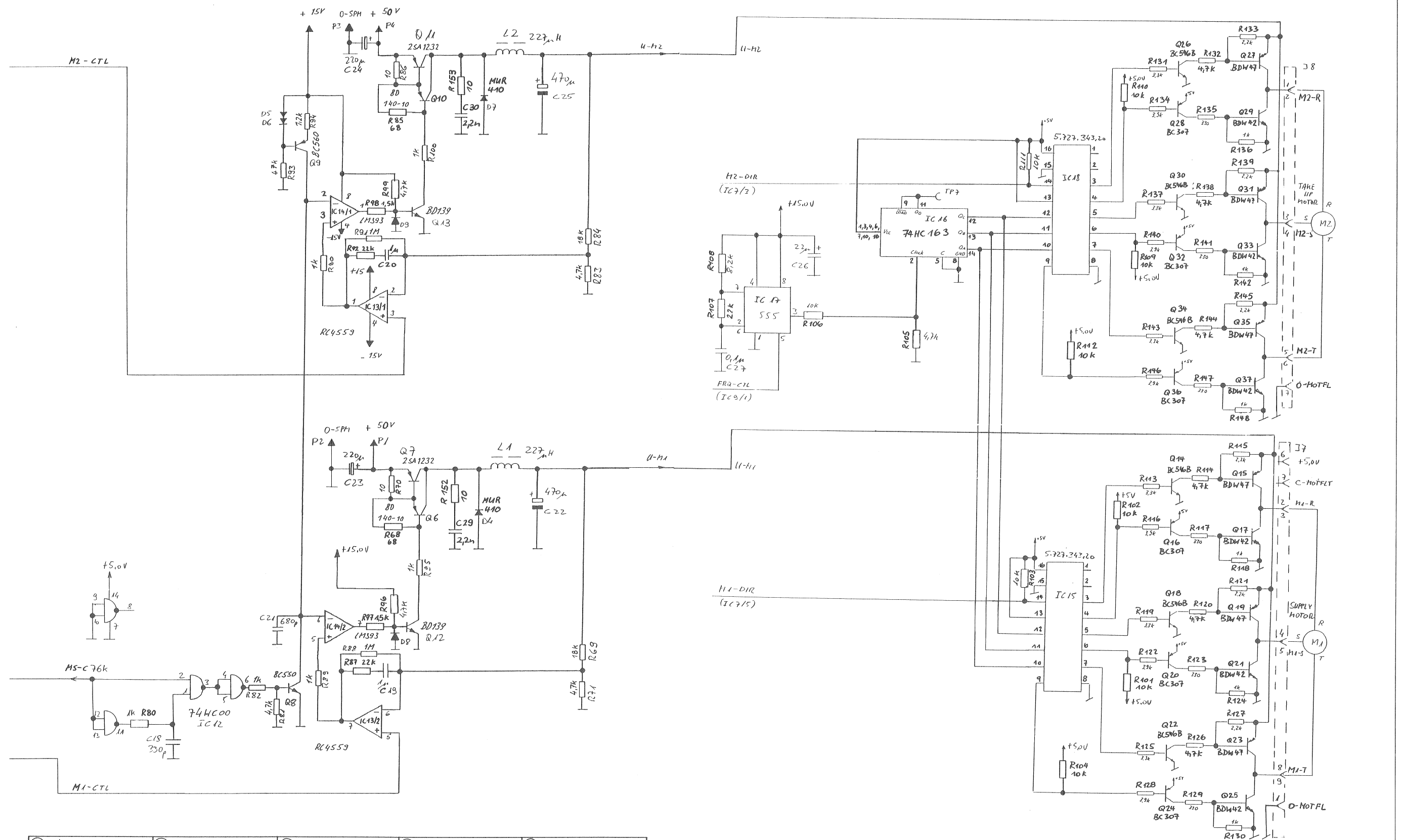
SPOOLING MOTOR CONTROL 1.727.340.22
 -SHUTTLE CONTROL 1.727.180.00
 -TAPE TENSION ADJUST 1.727.341.00



19.3.90	WHL
A 807 GR11			PAGE 1 OF 4		
STUDER		SPOOLING MOTOR CONTROL		1.727.340.22	

19.3.90	WHL
A 807 GR11			PAGE 2 OF 4		
STUDER		SPOOLING MOTOR CONTROL		1.727.340.22	

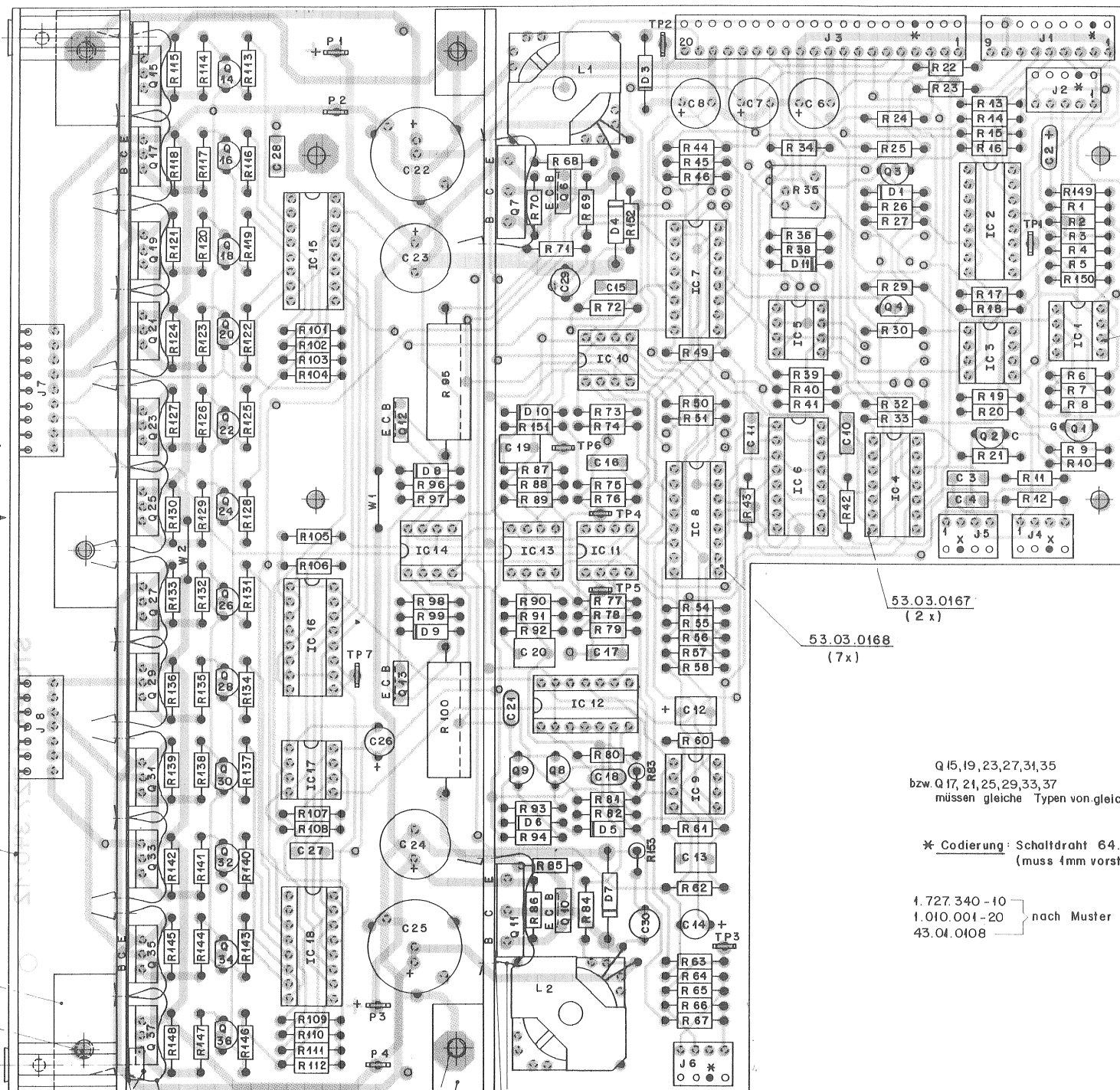
SPooling MOTOR CONTROL 1.727.340.22
 -SHUTTLE CONTROL 1.727.180.00
 -TAPE TENSION ADJUST 1.727.341.00



19.3.90	WHL	A 807 GR11	PAGE 3 OF 4
STUDER	SPooling MOTOR CONTROL	1.727.340.22	

19.3.90	WHL	A 807 GR11	PAGE 4 OF 4
STUDER	SPooling MOTOR CONTROL	1.727.340.22	

SPOOLING MOTOR CONTROL 1.727.340.22



Spooling Motor Filter Board 1.727.342.00

1.727.342-00
A1

1.727.340-01

24.99.0180(3x)
24.46.2030(3x)

21.53.0354(2x)
24.46.1030(2x)

50.20.2003(12x)
1.727.340-02

21.53.0354(2x)
24.46.2030(2x)
1.727.340-03

50.20.2004(2x)

50.20.0311(2x)

53.03.0166
(9x)

1.727.340-12

53.03.0167
(2x)

53.03.0168
(7x)

Q 15,19,23,27,31,35
bzw Q 17, 21, 25, 29,33,37
müssen gleiche Typen von gleichen Lieferant sein.

* Codierung: Schaltdraht 64.01.0108 ϕ 0,8 x 8 mm
(muss 4mm vorstehen)

1.727.340-10
1.010.001-20 } nach Muster geklebt
43.04.0108

IND.	POS.NO.	PART NO.	VALUE	SPECIFICATIONS / EQUIVALENT	MANUF.
A.....1		1.727.342.00		Sp. Motor Filter Board	St
C.....1		59.26.2100	10 uF	not used	Ph
C.....2		59.06.0683	68 nF	20X 16 V SAL	
C.....3		59.06.0683	68 nF	10X 63 V PEP	
C.....4		59.06.0683	68 nF	10X 63 V PEP	
C.....5		59.22.5101	100 uF	not used	
C.....6		59.22.5101	100 uF	-20X 25 V EL	
C.....7		59.22.5101	100 uF	-20X 25 V EL	
C.....8		59.22.5101	100 uF	-20X 25 V EL	
C.....9		59.06.0103	10 nF	not used	
C.....10		59.06.0103	10 nF	10X 63 V PEP	
C.....11		59.06.0103	10 nF	10X 63 V PEP	
C.....12		59.26.1479	4.7 uF	20X 10 V SAL	
C.....13		59.06.0474	0.47uF	10X 63 V PEP	
C.....14		59.22.5220	22 uF	-20X 25 V EL	
C.....15		59.06.5104	100 nF	5X 63 V PEP	
C.....16		59.06.0683	68 nF	10X 63 V PEP	
C.....17		59.06.0683	68 nF	10X 63 V PEP	
C.....18		59.34.4331	330 pF	5X 63 V CER	
C.....19		59.06.0105	1 uF	10X 63 V PEP	
C.....20		59.06.0105	1 uF	10X 63 V PEP	
C.....21		59.32.1681	680 pF	10X 50 V CER	
C.....22		59.22.8471	470 uF	-20X 63 V EL	
C.....23		59.22.8221	220 uF	-20X 63 V EL	
C.....24		59.22.8221	220 uF	-20X 63 V EL	
C.....25		59.22.8471	470 uF	-20X 63 V EL	
C.....26		59.22.5220	22 uF	-20X 25 V EL	
C.....27		59.06.5104	100 nF	5X 63 V PEP	
C.....28		59.06.0683	68 nF	10X 63 V PEP	
C.....29		59.05.2222	2.2 nF	2.5X 160 V PP	
C.....30		59.05.2222	2.2 nF	2.5X 160 V PP	
D.....1		50.04.0125	1N4448	Diode 50 V SI	
D.....2		50.04.0512	1N5B18	Diode 50 V Schottky	
D.....3		50.04.0521	MUR410	Diode 100 V SI	

STUDER (GO) 89/12/19 Wth SPOOLING MOTOR CTL. BOARD PL 1.727.340.22 PAGE 1

IND.	POS.NO.	PART NO.	VALUE	SPECIFICATIONS / EQUIVALENT	MANUF.
D.....5		50.04.0125	1N4448	Diode 50 V SI	
D.....6		50.04.0125	1N4448	Diode 50 V SI	
D.....7		50.04.0521	MUR410	Diode 100 V SI	
D.....8		50.04.0125	1N4448	Diode 50 V SI	
D.....9		50.04.0125	1N4448	Diode 50 V SI	
D.....10		50.04.0125	1N4448	Diode 50 V SI	
D.....11		50.04.0125	1N4448	Diode 50 V SI	
IC.....1		50.09.0107	RC4559	Dual Op. Asp.	
IC.....2		50.07.0024	MC 14052	Dual 4-Ch Analog Switch, CMOS	
IC.....3		50.09.0107	RC4559	Dual Op. Asp.	
IC.....4		50.07.0008	4093	Quad 2-Input NAND Sm.Trigger CMOS	
IC.....5		50.09.0107	RC4559	Dual Op. Asp.	
IC.....6		50.07.0598	4538	Monoflop CMOS	
IC.....7		50.07.0015	MC 14053	Triple 3-Ch Analog Switch, CMOS	
IC.....8		50.07.0015	MC 14053	Triple 3-Ch Analog Switch, CMOS	
IC.....9		50.09.0105	NE5532	Dual Op. Asp.	
IC.....10		50.09.0107	RC4559	Dual Op. Asp.	
IC.....11		50.09.0105	NE5532	Dual Op. Asp.	
IC.....12		50.17.1000	74 HC 00	Quad 2-Input NAND Gate	
IC.....13		50.09.0107	RC4559	Dual Op. Asp.	
IC.....14		50.05.0283	MC 14053	Dual Comparator	
IC.....15		50.05.0206	LH 393	Sp. Motor Comutation Ctl. 1.727.343.20	St
IC.....16		50.17.1163	74 HC 163	HCMOS	
IC.....17		50.05.0158	NE 555 CN	Timer	
IC.....18		50.05.0206		Sp. Motor Comutation Ctl. 1.727.343.20	St
J.....1		54.01.0217	9-POLE	CIS Socket Strip	AMP
J.....2		54.01.0288	5-POLE	CIS Socket Strip	AMP
J.....3		54.01.0226	20-POLE	CIS Socket Strip	AMP
J.....4		54.01.0241	4-POLE	CIS Socket Strip	AMP
J.....5		54.01.0241	4-POLE	CIS Socket Strip	AMP
J.....6		54.01.0241	4-POLE	CIS Socket Strip	AMP
J.....7		54.01.0217	9-POLE	CIS Socket Strip	AMP
J.....8		54.01.0218	7-POLE	CIS Socket Strip	AMP
L.....1		1.022.316.00	227 uH	HF-COIL	

STUDER (GO) 89/12/19 Wth SPOOLING MOTOR CTL. BOARD PL 1.727.340.22 PAGE 2

IND.	POS.NO.	PART NO.	VALUE	SPECIFICATIONS / EQUIVALENT	MANUF.
L.....2		1.022.316.00	227 uH	HF-COIL	
MP.....1		1.727.340.12	1 pcs	Spooling Motor Ctl. PCB	St
MP.....2		1.727.340.91	1 pcs	HeatSink	St
MP.....3		1.727.340.02	1 pcs	Thermoisolator	St
MP.....4		50.20.2003	12 pcs	Mounting Clip	
MP.....5		1.727.340.03	1 pcs	HeatSink	St
MP.....6		50.20.0311	2 pcs	Thermoisolator	
MP.....7		50.20.2004	2 pcs	Mounting Clip	
MP.....8		21.99.0180	3 pcs	Screw M3 x 5	
MP.....9		21.53.0354	4 pcs	Screw M3 x 6	
MP.....10		24.16.1030	2 pcs	Fin Lock Washer	
MP.....11		24.16.2030	5 pcs	Serral Lock Washer	
MP.....12		1.727.340.10	1 pcs	NO. Label	
MP.....13		43.01.0108	1 pcs	ISE Warning Label	St
P.....1		54.02.0320		PLUG 2.8 x 0.8	AMP
P.....2		54.02.0320		PLUG 2.8 x 0.8	AMP
P.....3		54.02.0320		PLUG 2.8 x 0.8	AMP
P.....4		54.02.0320		PLUG 2.8 x 0.8	AMP
Q.....1		50.03.0350	MFP 4392	N-CH FET	
Q.....2		50.03.0515	BC307	PNP	
Q.....3		50.03.0436	BC237B	BC547B, BC550B	NPN
Q.....4		50.03.0329	WP 146	P-CH FET	
Q.....5				not used	
Q.....6		50.03.0452	BD140-10	PNP	
Q.....7		50.03.0518	2SA1232	PNP	
Q.....8		50.03.0436	BC237B	BC547B, BC550B	NPN
Q.....9		50.03.0515	BC307	PNP	
Q.....10		50.03.0452	BD140-10	PNP	
Q.....11		50.03.0518	2SA1232	PNP	
Q.....12		50.03.0451	BD139-10	NPN	
Q.....13		50.03.0451	BD139-10	NPN	
Q.....14		50.03.0491	BC546B	NPN	
Q.....15		50.03.0899	BDM47	PNP	
Q.....16		50.03.0515	BC307	PNP	

STUDER (GO) 89/12/19 Wth SPOOLING MOTOR CTL. BOARD PL 1.727.340.22 PAGE 3

SPOOLING MOTOR CONTROL 1.727.340.22

IND.	POS.NO.	PART NO.	VALUE	SPECIFICATIONS / EQUIVALENT	MANUF.	IND.	POS.NO.	PART NO.	VALUE	SPECIFICATIONS / EQUIVALENT	MANUF.
Q...	17	50.03.0849	BDW42	Note 1	NPN	R...	90	57.11.3102	1 kOhm	1%, 0.25W, MF	
Q...	18	50.03.0491	BC546B		NPN	R...	91	57.11.3105	1 MOhm	1%, 0.25W, MF	
Q...	19	50.03.0899	BDW47	Note 1	PNP	R...	92	57.11.3223	22 kOhm	1%, 0.25W, MF	
Q...	20	50.03.0515	BC307		PNP	R...	93	57.11.3472	4.7 kOhm	1%, 0.25W, MF	
Q...	21	50.03.0849	BDW42	Note 1	NPN	R...	94	57.11.3122	1.2 kOhm	1%, 0.25W, MF	
Q...	22	50.03.0491	BC546B		NPN	R...	95	57.56.4102	1 kOhm	5%, 4 W, DR	
Q...	23	50.03.0899	BDW47	Note 1	PNP	R...	96	57.11.3472	4.7 kOhm	1%, 0.25W, MF	
Q...	24	50.03.0515	BC307		PNP	R...	97	57.11.3152	1.5 kOhm	1%, 0.25W, MF	
Q...	25	50.03.0849	BDW42	Note 1	NPN	R...	98	57.11.3152	1.5 kOhm	1%, 0.25W, MF	
Q...	26	50.03.0491	BC546B		NPN	R...	99	57.11.3472	4.7 kOhm	1%, 0.25W, MF	
Q...	27	50.03.0899	BDW47	Note 1	PNP	R...	100	57.56.4102	1 kOhm	5%, 4 W, DR	
Q...	28	50.03.0515	BC307		PNP	R...	101	57.11.3103	10 kOhm	1%, 0.25W, MF	
Q...	29	50.03.0849	BDW42	Note 1	NPN	R...	102	57.11.3103	10 kOhm	1%, 0.25W, MF	
Q...	30	50.03.0491	BC546B		NPN	R...	103	57.11.3103	10 kOhm	1%, 0.25W, MF	
Q...	31	50.03.0899	BDW47	Note 1	PNP	R...	104	57.11.3103	10 kOhm	1%, 0.25W, MF	
Q...	32	50.03.0515	BC307		PNP	R...	105	57.11.3472	4.7 kOhm	1%, 0.25W, MF	
Q...	33	50.03.0849	BDW42	Note 1	NPN	R...	106	57.11.3103	10 kOhm	1%, 0.25W, MF	
Q...	34	50.03.0491	BC546B		NPN	R...	107	57.11.3223	22 kOhm	1%, 0.25W, MF	
Q...	35	50.03.0899	BDW47	Note 1	PNP	R...	108	57.11.3822	8.2 kOhm	1%, 0.25W, MF	
Q...	36	50.03.0515	BC307		PNP	R...	109	57.11.3103	10 kOhm	1%, 0.25W, MF	
Q...	37	50.03.0849	BDW42	Note 1	NPN	R...	110	57.11.3103	10 kOhm	1%, 0.25W, MF	
R...	1	57.11.3103	10 kOhm	1%, 0.25W, MF		R...	111	57.11.3103	10 kOhm	1%, 0.25W, MF	
R...	2	57.11.3103	10 kOhm	1%, 0.25W, MF		R...	112	57.11.3103	10 kOhm	1%, 0.25W, MF	
R...	3	57.11.3101	100 Ohm	1%, 0.25W, MF		R...	113	57.11.3332	3.3 kOhm	1%, 0.25W, MF	
R...	4	57.11.3333	33 kOhm	1%, 0.25W, MF		R...	114	57.11.3472	4.7 kOhm	1%, 0.25W, MF	
R...	5	57.11.3333	33 kOhm	1%, 0.25W, MF		R...	115	57.11.3222	2.2 kOhm	1%, 0.25W, MF	
R...	6	57.11.3103	10 kOhm	1%, 0.25W, MF		R...	116	57.11.3392	3.9 kOhm	1%, 0.25W, MF	
R...	7	57.11.3103	10 kOhm	1%, 0.25W, MF		R...	117	57.11.3102	1 kOhm	1%, 0.25W, MF	
R...	8	57.11.3223	22 kOhm	1%, 0.25W, MF		R...	118	57.11.3102	1 kOhm	1%, 0.25W, MF	
R...	9	57.11.3105	1 MOhm	1%, 0.25W, MF		R...	119	57.11.3332	3.3 kOhm	1%, 0.25W, MF	
R...	10	57.11.3223	22 kOhm	1%, 0.25W, MF		R...	120	57.11.3472	4.7 kOhm	1%, 0.25W, MF	
R...	11	57.11.3101	100 Ohm	1%, 0.25W, MF		R...	121	57.11.3392	3.9 kOhm	1%, 0.25W, MF	
R...	12	57.11.3101	100 Ohm	1%, 0.25W, MF		R...	122	57.11.3392	3.9 kOhm	1%, 0.25W, MF	
R...	13	57.11.3103	10 kOhm	1%, 0.25W, MF		R...	123	57.11.3331	330 Ohm	1%, 0.25W, MF	
R...	14	57.11.3103	6.8 kOhm	1%, 0.25W, MF		R...	124	57.11.3102	1 kOhm	1%, 0.25W, MF	
R...	15	57.11.3332	3.3 kOhm	1%, 0.25W, MF		R...	125	57.11.3332	3.3 kOhm	1%, 0.25W, MF	
R...	15	57.11.3332	3.3 kOhm	1%, 0.25W, MF		R...	126	57.11.3472	4.7 kOhm	1%, 0.25W, MF	

S T U D E R (00) 89/12/19 Wth SPOOLING MOTOR CTL. BOARD PL 1.727.340.22 PAGE 4

S T U D E R (00) 89/12/19 Wth SPOOLING MOTOR CTL. BOARD PL 1.727.340.22 PAGE 7

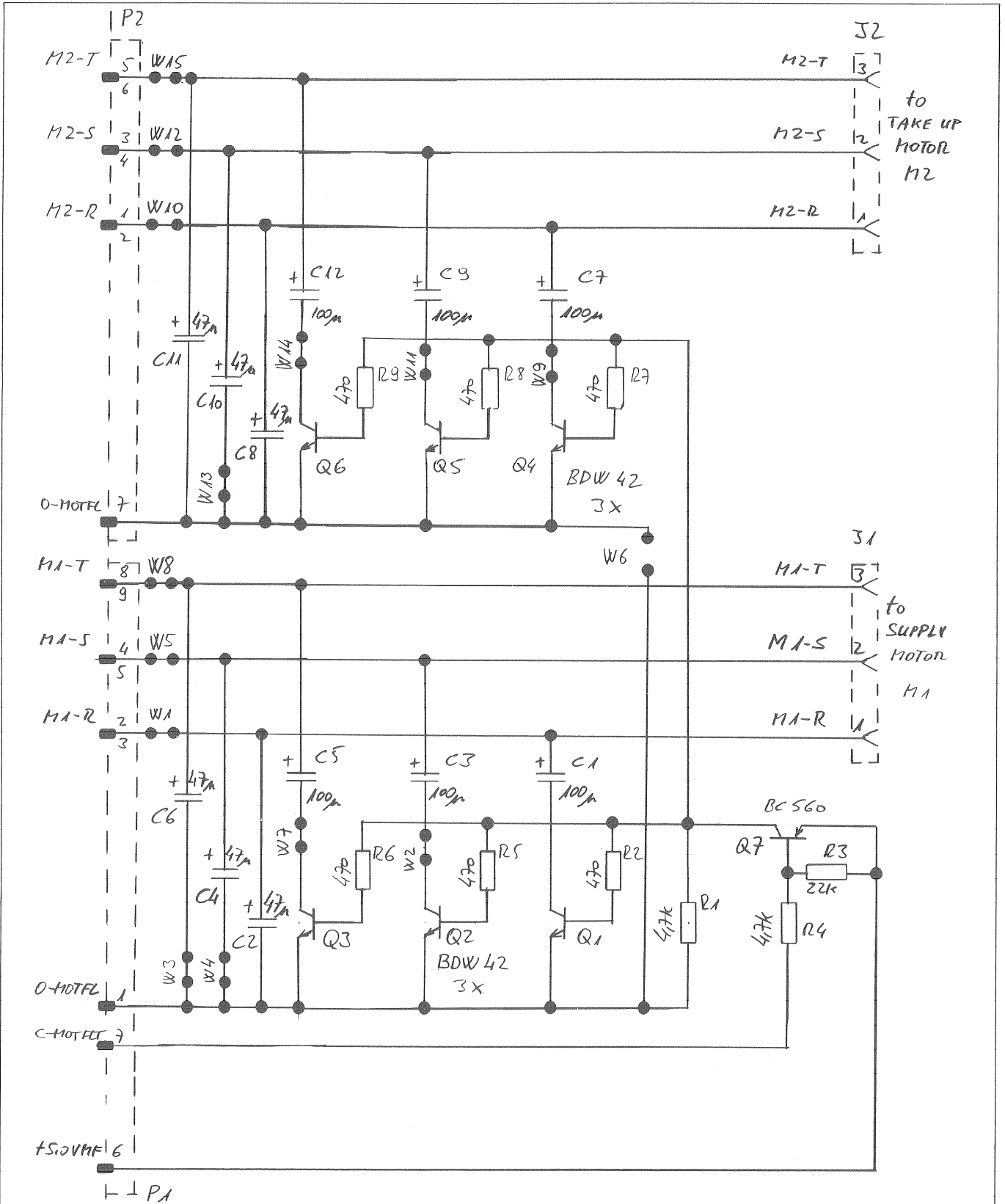
IND.	POS.NO.	PART NO.	VALUE	SPECIFICATIONS / EQUIVALENT	MANUF.	IND.	POS.NO.	PART NO.	VALUE	SPECIFICATIONS / EQUIVALENT	MANUF.
R...	16	57.11.3332	3.3 kOhm	1%, 0.25W, MF		R...	127	57.11.3222	2.2 kOhm	1%, 0.25W, MF	
R...	17	57.11.3682	6.8 kOhm	1%, 0.25W, MF		R...	128	57.11.3392	3.9 kOhm	1%, 0.25W, MF	
R...	18	57.11.3103	10 kOhm	1%, 0.25W, MF		R...	129	57.11.3331	330 Ohm	1%, 0.25W, MF	
R...	19	57.11.3103	10 kOhm	1%, 0.25W, MF		R...	130	57.11.3102	1 kOhm	1%, 0.25W, MF	
R...	20	57.11.3332	3.3 kOhm	1%, 0.25W, MF		R...	131	57.11.3332	3.3 kOhm	1%, 0.25W, MF	
R...	21	57.11.3223	22 kOhm	1%, 0.25W, MF		R...	132	57.11.3472	4.7 kOhm	1%, 0.25W, MF	
R...	22	57.11.3472	4.7 kOhm	1%, 0.25W, MF		R...	133	57.11.3222	2.2 kOhm	1%, 0.25W, MF	
R...	23	57.11.3472	4.7 kOhm	1%, 0.25W, MF		R...	134	57.11.3392	3.9 kOhm	1%, 0.25W, MF	
R...	24	57.11.3332	3.3 kOhm	1%, 0.25W, MF		R...	135	57.11.3331	330 Ohm	1%, 0.25W, MF	
R...	25	57.11.3332	3.3 kOhm	1%, 0.25W, MF		R...	136	57.11.3102	1 kOhm	1%, 0.25W, MF	
R...	26	57.11.3223	22 kOhm	1%, 0.25W, MF		R...	137	57.11.3332	3.3 kOhm	1%, 0.25W, MF	
R...	27	57.11.3123	12 kOhm	1%, 0.25W, MF		R...	138	57.11.3472	4.7 kOhm	1%, 0.25W, MF	
R...	28		not used			R...	139	57.11.3222	2.2 kOhm	1%, 0.25W, MF	
R...	29	57.11.3223	22 kOhm	1%, 0.25W, MF		R...	140	57.11.3392	3.9 kOhm	1%, 0.25W, MF	
R...	30	57.11.3105	1 MOhm	1%, 0.25W, MF		R...	141	57.11.3331	330 Ohm	1%, 0.25W, MF	
R...	31		not used			R...	142	57.11.3102	1 kOhm	1%, 0.25W, MF	
R...	32	57.11.3332	3.3 kOhm	1%, 0.25W, MF		R...	143	57.11.3332	3.3 kOhm	1%, 0.25W, MF	
R...	33	57.11.3333	33 kOhm	1%, 0.25W, MF		R...	144	57.11.3472	4.7 kOhm	1%, 0.25W, MF	
R...	34	57.11.3109	1 Ohm	1%, 0.25W, MF		R...	145	57.11.3222	2.2 kOhm	1%, 0.25W, MF	
R...	35	58.01.8103	10 kOhm	Potentiometer, PMG		R...	146	57.11.3332	3.9 kOhm	1%, 0.25W, MF	
R...	36	57.11.3472	4.7 kOhm	1%, 0.25W, MF		R...	147	57.11.3331	330 Ohm	1%, 0.25W, MF	
R...	37		not used			R...	148	57.11.3102	1 kOhm	1%, 0.25W, MF	
R...	38	57.11.3333	33 kOhm	1%, 0.25W, MF		R...	149	57.11.3331	330 Ohm	1%, 0.25W, MF	
R...	39	57.11.3103	10 kOhm	1%, 0.25W, MF		R...	150	57.11.3102	1 kOhm	1%, 0.25W, MF	
R...	40	57.11.3123	12 kOhm	1%, 0.25W, MF		R...	151	57.11.3102	1 kOhm	1%, 0.25W, MF	
R...	41	57.11.3123	12 kOhm	1%, 0.25W, MF		R...	152	57.11.3100	10 Ohm	1%, 0.25W, MF	
R...	42	57.11.3393	39 kOhm	1%, 0.25W, MF		R...	153	57.11.3100	10 Ohm	1%, 0.25W, MF	
R...	43	57.11.3393	39 kOhm	1%, 0.25W, MF							
R...	44	57.11.3332	3.3 kOhm	1%, 0.25W, MF		TP...	1	54.02.0320		Test Point	AMP
R...	45	57.11.3103	10 kOhm	1%, 0.25W, MF		TP...	2	54.02.0320		Test Point	AMP
R...	46	57.11.3682	6.8 kOhm	1%, 0.25W, MF		TP...	3	54.02.0320		Test Point	AMP
R...	47		not used			TP...	4	54.02.0320		Test Point	AMP
R...	48		not used			TP...	5	54.02.0320		Test Point	AMP
R...	49	57.11.3332	3.3 kOhm	1%, 0.25W, MF		TP...	6	54.02.0320		Test Point	AMP
R...	50	57.11.3224	220 kOhm	1%, 0.25W, MF		TP...	7	54.02.0320		Test Point	AMP
R...	51	57.11.3103	10 kOhm	1%, 0.25W, MF		W....	1	64.01.0106		Wire Bridge	
R...	52		not used								

S T U D E R (00) 89/12/19 Wth SPOOLING MOTOR CTL. BOARD PL 1.727.340.22 PAGE 5

S T U D E R (00) 89/12/19 Wth SPOOLING MOTOR CTL. BOARD PL 1.727.340.22 PAGE 8

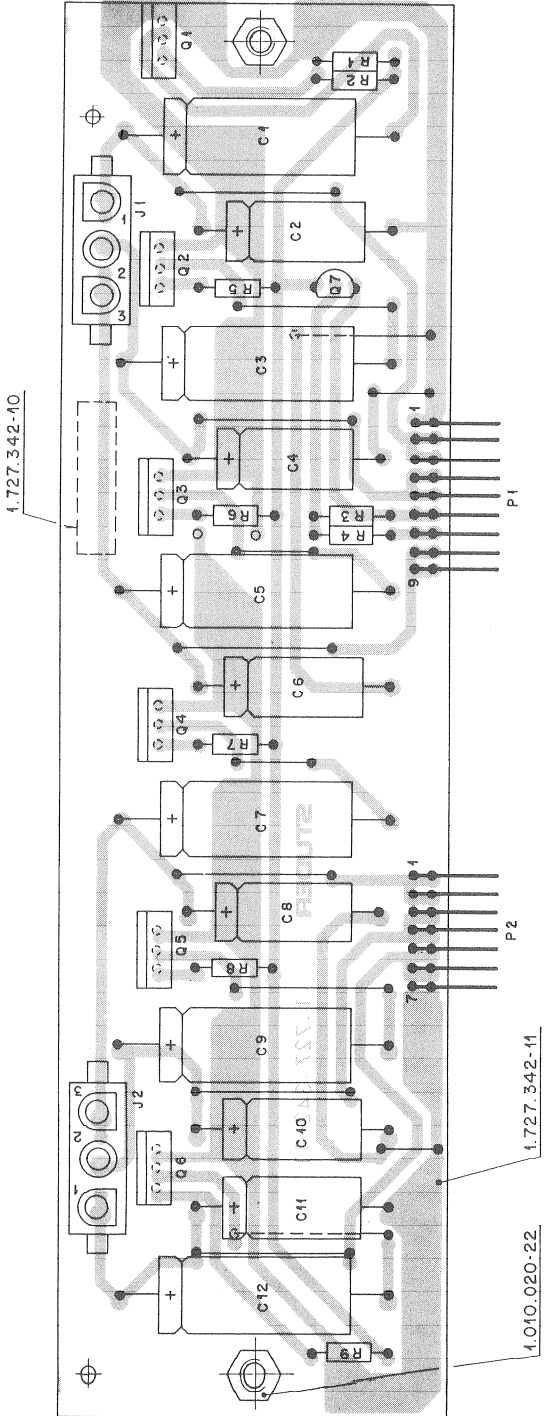
IND.	POS.NO.	PART NO.	VALUE	SPECIFICATIONS / EQUIVALENT	MANUF.	IND.	POS.NO.	PART NO.	VALUE	SPECIFICATIONS / EQUIVALENT	MANUF.
R...	53			not used		W....	2	64.01.0106		Wire Bridge	
R...	54	57.11.3103	10 kOhm	1%, 0.25W, MF		XIC...	1	53.03.0166	8 Pole	IC Socket	
R...	55	57.11.3682	6.8 kOhm	1%, 0.25W, MF		XIC...	2	53.03.0168	16 Pole	IC Socket	
R...	56	57.11.3332	3.3 kOhm	1%, 0.25W, MF		XIC...	3	53.03.0166	8 Pole	IC Socket	
R...	57	57.11.3332	3.3 kOhm	1%, 0.25W, MF		XIC...	4	53.03.0167	14 Pole	IC Socket	
R...	58	57.11.3822	8.2 kOhm	1%, 0.25W, MF		XIC...	5	53.03.0166	8 Pole	IC Socket	
R...	59			not used		XIC...	6	53.03.0168	16 Pole	IC Socket	
R...	60	57.11.3104	100 kOhm	1%, 0.25W, MF		XIC...	7	53.03.0168	16 Pole	IC Socket	
R...	61	57.11.3124	120 kOhm	1%, 0.25W, MF		XIC...	8	53.03.0168	16 Pole	IC Socket	
R...	62	57.11.3154	150 kOhm	1%, 0.25W, MF		XIC...	9	53.03.0166	8 Pole	IC Socket	
R...	63	57.11.3103	10 kOhm	1%, 0.25W, MF		XIC...	10	53.03.0166	8 Pole	IC Socket	
R...	64	57.11.3222	2.2 kOhm	1%, 0.25W, MF		XIC...	11	53.03.0166	8 Pole	IC Socket	
R...	65	57.11.3102	1 kOhm	1%, 0.25W, MF		XIC...	12	53.03.0167	14 Pole	IC Socket	
R...	66	57.11.3102	1 kOhm	1%, 0.25W, MF		XIC...	13	53.03.0166	8 Pole	IC Socket	
R...	67	57.11.3222	2.2 kOhm	1%, 0.25W, MF		XIC...	14	53.03.0166	8 Pole	IC Socket	
R...	68	57.11.3680	68 Ohm	1%, 0.25W, MF		XIC...	15	53.03.0168	16 Pole	IC Socket	
R...	69	57.11.3183	18 kOhm	1%, 0.25W, MF		XIC...	16	53.03.0168	16 Pole	IC Socket	
R...	70	57.11.3100	10 Ohm	1%, 0.25W, MF		XIC...	17	53.03.0166	8 Pole	IC Socket	
R...	71	57.11.3472	4.7 kOhm	1%, 0.25W, MF		XIC...	18	53.03.0168	16 Pole	IC Socket	
R...	72	57.11.3104	100 kOhm	1%, 0.25W, MF							
R...	73	57.11.3103	10 kOhm	1%, 0.25W, MF							
R...	74	57.11.3103	10 kOhm	1%, 0.25W, MF							
R...	75	57.11.3103	10 kOhm	1%, 0.25W, MF							
R...	76	57.11.3223	22 kOhm	1%, 0.25W, MF							
R...	77	57.11.3223	22 kOhm	1%, 0.25W, MF							
R...	78	57.11.3273	27 kOhm	1%, 0.25W, MF							
R...	79	57.11.3103	10 kOhm	1%, 0.25W, MF							
R...	80	57.11.3102	1 kOhm	1%, 0.25W, MF							
R...	81	57.11.3472	4.7 kOhm	1%, 0.25W, MF							
R...	82	57.11.3102	1 kOhm	1%, 0.25W, MF							
R...	83	57.11.3472	4.7 kOhm	1%, 0.25W, MF							
R...	84	57.11.3183	18 kOhm	1%, 0.25W, MF							
R...	85	57.11.3680	68 Ohm	1%, 0.25W, MF							
R...	86	57.11.3100	10 Ohm								

SPOOLING MOTOR FILTER BOARD 1.727.342.00



04.11.86	WHL	○ ..	○ ..	○ ..	○ ..
		A 807			PAGE OF
STUDER	SP. MOTOR FILTER BOARD			1.727.342.00	

SPOOLING MOTOR FILTER BOARD 1.727.342.00



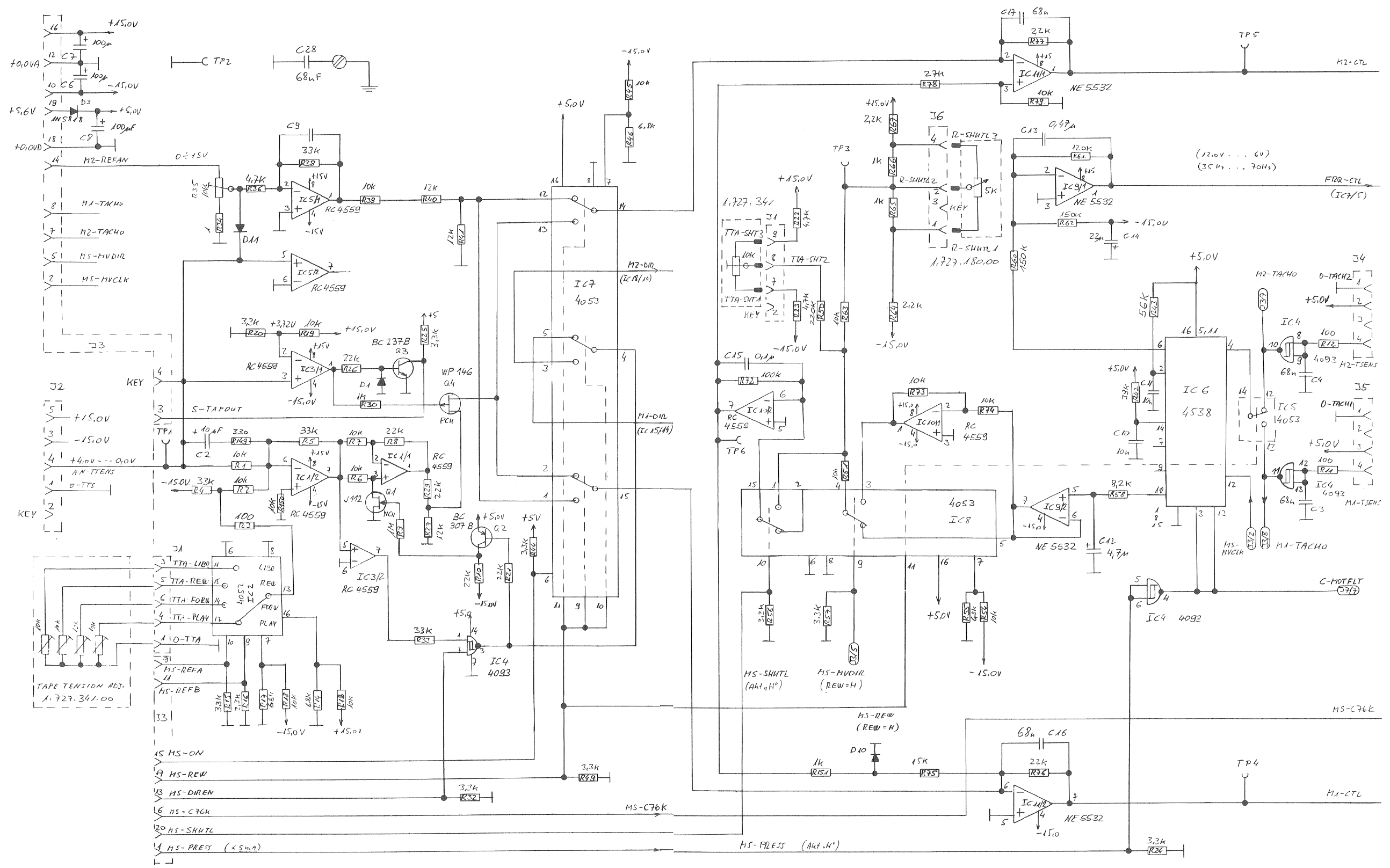
IND.	POS.NO.	PART NO.	VALUE	SPECIFICATIONS / EQUIVALENT	MANUF.
C.....1		59.25.6101	100 uF	-20%, 63 V EL	
C.....2		59.25.6470	47 uF	-20%, 63 V EL	
C.....3		59.25.6101	100 uF	-20%, 63 V EL	
C.....4		59.25.6470	47 uF	-20%, 63 V EL	
C.....5		59.25.6101	100 uF	-20%, 63 V EL	
C.....6		59.25.6470	47 uF	-20%, 63 V EL	
C.....7		59.25.6101	100 uF	-20%, 63 V EL	
C.....8		59.25.6470	47 uF	-20%, 63 V EL	
C.....9		59.25.6101	100 uF	-20%, 63 V EL	
C.....10		59.25.6470	47 uF	-20%, 63 V EL	
C.....11		59.25.6101	100 uF	-20%, 63 V EL	
C.....12		59.25.6101	100 uF	-20%, 63 V EL	
J.....1		54.25.0003	3-Pol	Power Connector	AMP
J.....2		54.25.0003	3-Pol	Power Connector	AMP
MP.....1		1.727.342.11	1 pcs	SP. MOTOR FILTER PCB.	St
MP.....2		1.727.342.10	1 pcs	No. label	St
MP.....3		1.010.020.22	2 pcs	Rivetnut 1w15	St
P.....1		54.01.0220	9 Pol	CIS Pin Strip	
P.....2		54.01.0223	7 Pol	CIS Pin Strip	
Q.....1		50.03.0777	BDW 42	TO 220	NPN
Q.....2		50.03.0777	BDW 42	TO 220	NPN
Q.....3		50.03.0777	BDW 42	TO 220	NPN
Q.....4		50.03.0777	BDW 42	TO 220	NPN
Q.....5		50.03.0777	BDW 42	TO 220	NPN
Q.....6		50.03.0777	BDW 42	TO 220	NPN
Q.....7		50.03.0515	BC307B	BC251B, BC560B	PNP
R.....1		57.11.4472	4.7 kOhm	2%, 0.25W, MF	
R.....2		57.11.4471	470 Ohm	2%, 0.25W, MF	
R.....3		57.11.4223	22 kOhm	2%, 0.25W, MF	
R.....4		57.11.4472	4.7 kOhm	2%, 0.25W, MF	
R.....5		57.11.4471	470 Ohm	2%, 0.25W, MF	
R.....6		57.11.4471	470 Ohm	2%, 0.25W, MF	

STUDER (00) 86/08/08 Wth SP. MOTOR FILTER BOARD PL 1.727.342.00 PAGE 1

IND.	POS.NO.	PART NO.	VALUE	SPECIFICATIONS / EQUIVALENT	MANUF.
R.....7		57.11.4471	470 Ohm	2%, 0.25W, MF	
R.....8		57.11.4471	470 Ohm	2%, 0.25W, MF	
R.....9		57.11.4471	470 Ohm	2%, 0.25W, MF	

EL=Electrolytic, MF=Metal Film
 MANUFACTURER: AMP=AMP, St=STUDER
 ORIG 86/08/08
 STUDER (00) 86/08/08 Wth SP. MOTOR FILTER BOARD PL 1.727.342.00 PAGE 2

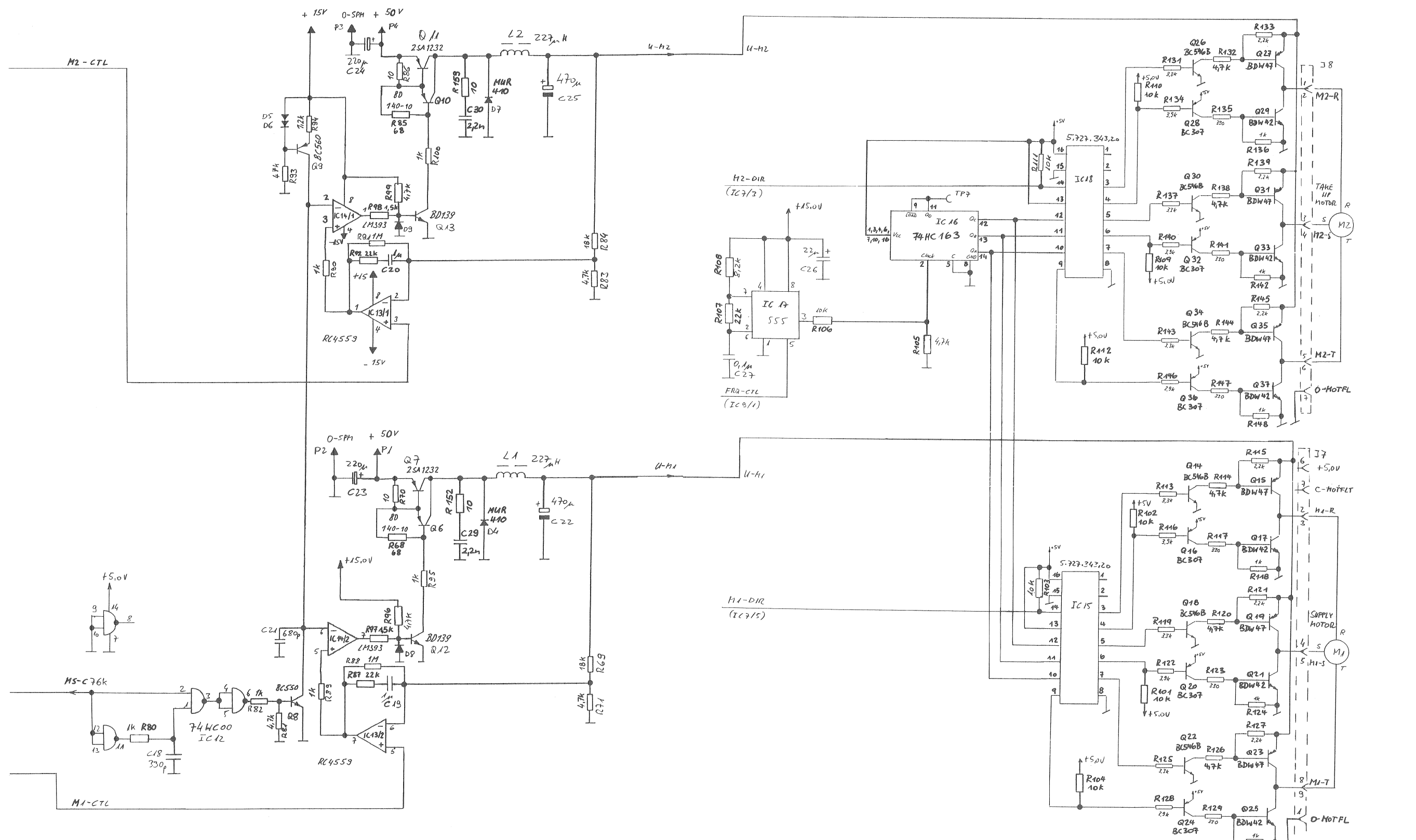
SPooling Motor Control 1.727.340.23
 -SHuttle Control 1.727.180.00
 -Tape Tension Adjust 1.727.341.00



22.1.91	WJK				
A 807 GRA1			PAGE 1 OF 4		
STUDER		SPooling Motor Control		1.727.340.23	

22.1.91	WJK				
A 807 GRA1			PAGE 2 OF 4		
STUDER		SPooling Motor Control		1.727.340.23	

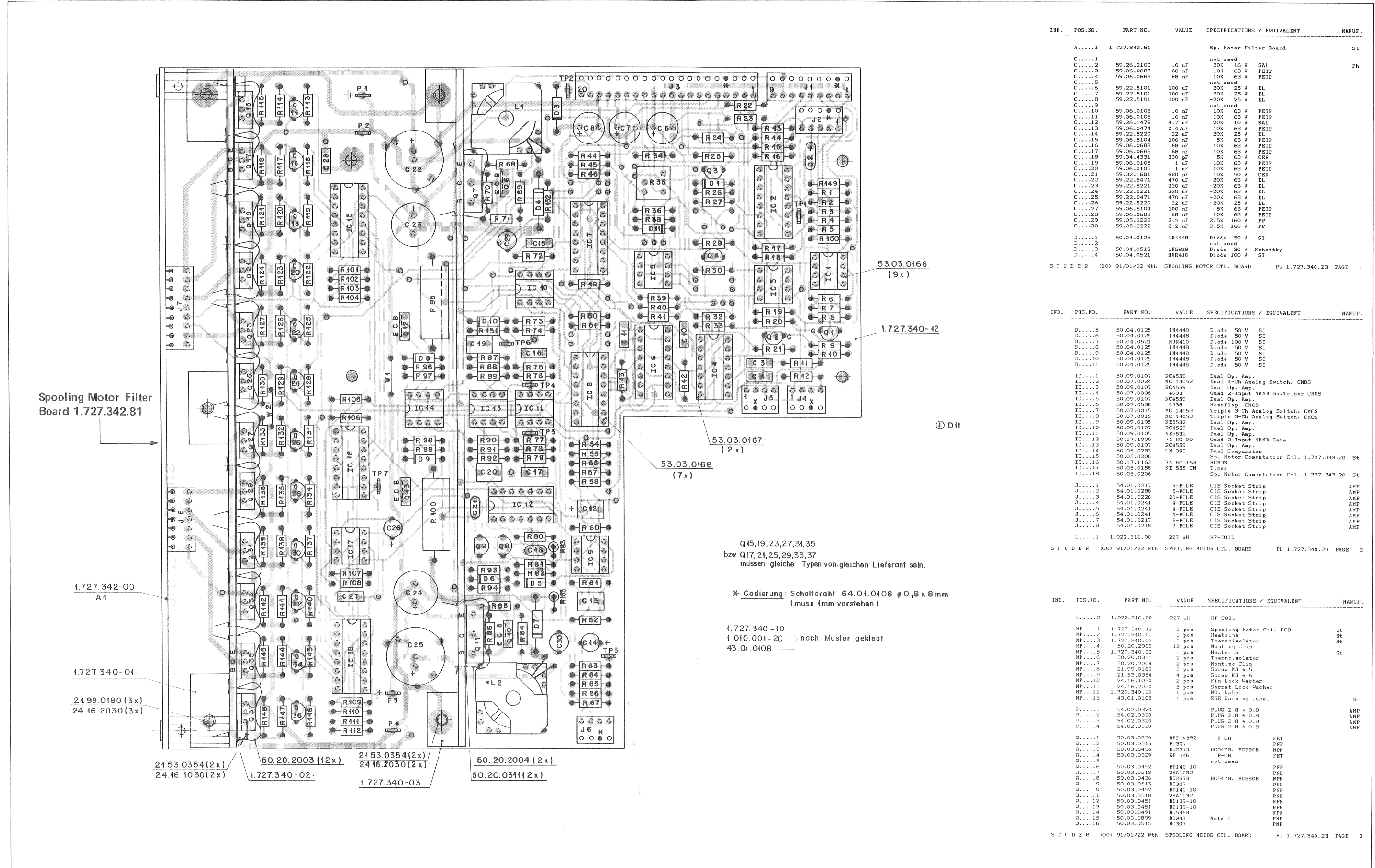
SPooling Motor Control 1.727.340.23
 -SHUTTLE CONTROL 1.727.180.00
 -TAPE TENSION ADJUST 1.727.341.00



① 22.1.91 Wk	○	○	○	○	○	○	○	○	○
A 807 GR11									PAGE 3 OF 4
STUDER	SPooling Motor Control							1.727.340.23	

① 22.1.91 Wk	○	○	○	○	○	○	○	○	○
A 807 GR11									PAGE 4 OF 4
STUDER	SPooling Motor Control							1.727.340.23	

SPOOLING MOTOR CONTROL 1.727.340.23



IND.	POS.NO.	PART NO.	VALUE	SPECIFICATIONS / EQUIVALENT	MANUF.
A.....1		1.727.342.81		Sp. Motor Filter Board	St
C.....1				not used	
C.....2		59.26.2100	10 uF	20X 16 V SAL	Ph
C.....3		59.06.0683	68 nF	10X 63 V PETF	
C.....4		59.06.0683	68 nF	10X 63 V PETF	
C.....5				not used	
C.....6		59.22.5101	100 uF	-20X 25 V EL	
C.....7		59.22.5101	100 uF	-20X 25 V EL	
C.....8		59.22.5101	100 uF	-20X 25 V EL	
C.....9				not used	
C.....10		59.06.0103	10 nF	10X 63 V PETF	
C.....11		59.06.0103	10 nF	10X 63 V PETF	
C.....12		59.26.1479	4.7 uF	20X 10 V SAL	
C.....13		59.06.0474	0.47uF	10X 63 V PETF	
C.....14		59.22.5220	22 uF	-20X 25 V EL	
C.....15		59.06.5104	100 nF	5X 63 V PETF	
C.....16		59.06.0683	68 nF	10X 63 V PETF	
C.....17		59.06.0683	68 nF	10X 63 V PETF	
C.....18		59.34.4331	330 pF	5X 63 V CER	
C.....19		59.06.0105	1 uF	10X 63 V PETF	
C.....20		59.06.0105	1 uF	10X 63 V PETF	
C.....21		59.32.1681	680 pF	10X 50 V CER	
C.....22		59.22.8471	470 uF	-20X 63 V EL	
C.....23		59.22.8221	220 uF	-20X 63 V EL	
C.....24		59.22.8221	220 uF	-20X 63 V EL	
C.....25		59.22.8471	470 uF	-20X 63 V EL	
C.....26		59.22.5220	22 uF	-20X 25 V EL	
C.....27		59.06.5104	100 nF	5X 63 V PETF	
C.....28		59.06.0683	68 nF	10X 63 V PETF	
C.....29		59.05.2222	2.2 nF	2.5X 160 V PP	
C.....30		59.05.2222	2.2 nF	2.5X 160 V PP	
D.....1		50.04.0125	1N4448	Diode 50 V SI	
D.....2				not used	
D.....3		50.04.0512	1N5818	Diode 30 V Schottky	
D.....4		50.04.0521	MUR410	Diode 100 V SI	

STUDER (00) 91/01/22 Wth SPOOLING MOTOR CTL. BOARD PL 1.727.340.23 PAGE 1

IND.	POS.NO.	PART NO.	VALUE	SPECIFICATIONS / EQUIVALENT	MANUF.
D.....5		50.04.0125	1N4448	Diode 50 V SI	
D.....6		50.04.0125	1N4448	Diode 50 V SI	
D.....7		50.04.0521	MUR410	Diode 100 V SI	
D.....8		50.04.0125	1N4448	Diode 50 V SI	
D.....9		50.04.0125	1N4448	Diode 50 V SI	
D.....10		50.04.0125	1N4448	Diode 50 V SI	
D.....11		50.04.0125	1N4448	Diode 50 V SI	
IC.....1		50.09.0107	RC4559	Deal Op. Amp.	
IC.....2		50.07.0024	MC 14052	Deal 4-Ch Analog Switch, CMOS	
IC.....3		50.09.0107	RC4559	Deal Op. Amp.	
IC.....4		50.07.0008	4093	Quad 2-Input NAND Sa.Trigger CMOS	
IC.....5		50.09.0107	RC4559	Deal Op. Amp.	
IC.....6		50.07.0538	4538	Monoflop CMOS	
IC.....7		50.07.0015	MC 14053	Triple 3-Ch Analog Switch, CMOS	
IC.....8		50.07.0015	MC 14053	Triple 3-Ch Analog Switch, CMOS	
IC.....9		50.09.0105	NE5532	Deal Op. Amp.	
IC.....10		50.09.0107	RC4559	Deal Op. Amp.	
IC.....11		50.09.0105	NE5532	Deal Op. Amp.	
IC.....12		50.17.1000	74 HC 00	Quad 2-Input NAND Gate	
IC.....13		50.09.0107	RC4559	Deal Op. Amp.	
IC.....14		50.05.0283	LM 393	Deal Comparator	
IC.....15		50.05.0206	NE 555	Sp. Motor Commutation Ctl. 1.727.343.20	St
IC.....16		50.17.1163	74 HC 163	HCMOS	
IC.....17		50.05.0158	NE 555 CN	Timer	
IC.....18		50.05.0206	NE 555	Sp. Motor Commutation Ctl. 1.727.343.20	St
J.....1		54.01.0217	9-POLE	CIS Socket Strip	AMP
J.....2		54.01.0288	5-POLE	CIS Socket Strip	AMP
J.....3		54.01.0226	20-POLE	CIS Socket Strip	AMP
J.....4		54.01.0241	4-POLE	CIS Socket Strip	AMP
J.....5		54.01.0241	4-POLE	CIS Socket Strip	AMP
J.....6		54.01.0241	4-POLE	CIS Socket Strip	AMP
J.....7		54.01.0217	9-POLE	CIS Socket Strip	AMP
J.....8		54.01.0218	7-POLE	CIS Socket Strip	AMP
L.....1		1.022.316.00	227 uH	HF-COIL	

STUDER (00) 91/01/22 Wth SPOOLING MOTOR CTL. BOARD PL 1.727.340.23 PAGE 2

IND.	POS.NO.	PART NO.	VALUE	SPECIFICATIONS / EQUIVALENT	MANUF.
L.....2		1.022.316.00	227 uH	HF-COIL	
MP.....1		1.727.340.12	1 pce	Spooling Motor Ctl. PCB	St
MP.....2		1.727.340.01	1 pce	Heatsink	St
MP.....3		1.727.340.02	1 pce	Thermoisolator	St
MP.....4		50.20.2003	12 pce	Mounting Clip	
MP.....5		1.727.340.03	1 pce	Heatsink	St
MP.....6		50.20.0311	2 pce	Thermoisolator	
MP.....7		50.20.2004	2 pce	Mounting Clip	
MP.....8		21.99.0180	3 pce	Screw M3 x 5	
MP.....9		21.53.0354	4 pce	Screw M3 x 6	
MP.....10		24.16.1030	2 pce	Fin Lock Washer	
MP.....11		24.16.2030	5 pce	Secret Lock Washer	
MP.....12		1.727.340.10	1 pce	NO. Label	
MP.....13		43.01.0108	1 pce	ESE Warning Label	St
P.....1		54.02.0320		PLUG 2.8 x 0.8	AMP
P.....2		54.02.0320		PLUG 2.8 x 0.8	AMP
P.....3		54.02.0320		PLUG 2.8 x 0.8	AMP
P.....4		54.02.0320		PLUG 2.8 x 0.8	AMP
Q.....1		50.03.0350	RFF 4392	N-CH	FET
Q.....2		50.03.0515	BC307		PNP
Q.....3		50.03.0436	BC237B	BC547B, BC550B	NPN
Q.....4		50.03.0329	WP 146	P-CH	FET
Q.....5					not used
Q.....6		50.03.0452	BD140-10		PNP
Q.....7		50.03.0518	2SA1232		PNP
Q.....8		50.03.0436	BC237B	BC547B, BC550B	NPN
Q.....9		50.03.0515	BC307		PNP
Q.....10		50.03.0452	BD140-10		PNP
Q.....11		50.03.0518	2SA1232		PNP
Q.....12		50.03.0451	BD139-10		NPN
Q.....13		50.03.0451	BD139-10		NPN
Q.....14		50.03.0491	BC546B		NPN
Q.....15		50.03.0899	BD447	Note 1	PNP
Q.....16		50.03.0515	BC307		PNP

STUDER (00) 91/01/22 Wth SPOOLING MOTOR CTL. BOARD PL 1.727.340.23 PAGE 3

SPOOLING MOTOR CONTROL 1.727.340.23

IND.	POS.NO.	PART NO.	VALUE	SPECIFICATIONS / EQUIVALENT	MANUF.	IND.	POS.NO.	PART NO.	VALUE	SPECIFICATIONS / EQUIVALENT	MANUF.
Q...	17	50.03.0849	BDM42	Note 1	NPN	R...	90	57.11.3102	1 kOhm	1%, 0.25W, MF	
Q...	18	50.03.0491	BCS46B		NPN	R...	91	57.11.3105	1 MOhm	1%, 0.25W, MF	
Q...	19	50.03.0899	BDM47	Note 1	PNP	R...	92	57.11.3223	22 kOhm	1%, 0.25W, MF	
Q...	20	50.03.0515	BC307		PNP	R...	93	57.11.3472	4.7 kOhm	1%, 0.25W, MF	
Q...	21	50.03.0849	BDM42	Note 1	NPN	R...	94	57.11.3122	1.2 kOhm	1%, 0.25W, MF	
Q...	22	50.03.0491	BCS46B		NPN	R...	95	57.56.4102	1 kOhm	5%, 4 W, DR	
Q...	23	50.03.0899	BDM47	Note 1	PNP	R...	96	57.11.3472	4.7 kOhm	1%, 0.25W, MF	
Q...	24	50.03.0515	BC307		PNP	R...	97	57.11.3152	1.5 kOhm	1%, 0.25W, MF	
Q...	25	50.03.0849	BDM42	Note 1	NPN	R...	98	57.11.3152	1.5 kOhm	1%, 0.25W, MF	
Q...	26	50.03.0491	BCS46B		NPN	R...	99	57.11.3472	4.7 kOhm	1%, 0.25W, MF	
Q...	27	50.03.0899	BDM47	Note 1	PNP	R...	100	57.56.4102	1 kOhm	5%, 4 W, DR	
Q...	28	50.03.0515	BC307		PNP	R...	101	57.11.3103	10 kOhm	1%, 0.25W, MF	
Q...	29	50.03.0849	BDM42	Note 1	NPN	R...	102	57.11.3103	10 kOhm	1%, 0.25W, MF	
Q...	30	50.03.0491	BCS46B		NPN	R...	103	57.11.3103	10 kOhm	1%, 0.25W, MF	
Q...	31	50.03.0899	BDM47	Note 1	PNP	R...	104	57.11.3103	10 kOhm	1%, 0.25W, MF	
Q...	32	50.03.0515	BC307		PNP	R...	105	57.11.3472	4.7 kOhm	1%, 0.25W, MF	
Q...	33	50.03.0849	BDM42	Note 1	NPN	R...	106	57.11.3103	10 kOhm	1%, 0.25W, MF	
Q...	34	50.03.0491	BCS46B		NPN	R...	107	57.11.3223	22 kOhm	1%, 0.25W, MF	
Q...	35	50.03.0899	BDM47	Note 1	PNP	R...	108	57.11.3822	8.2 kOhm	1%, 0.25W, MF	
Q...	36	50.03.0515	BC307		PNP	R...	109	57.11.3103	10 kOhm	1%, 0.25W, MF	
Q...	37	50.03.0849	BDM42	Note 1	NPN	R...	110	57.11.3103	10 kOhm	1%, 0.25W, MF	
R...	1	57.11.3103	10 kOhm	1%, 0.25W, MF		R...	111	57.11.3103	10 kOhm	1%, 0.25W, MF	
R...	2	57.11.3103	10 kOhm	1%, 0.25W, MF		R...	112	57.11.3103	10 kOhm	1%, 0.25W, MF	
R...	3	57.11.3101	100 Ohm	1%, 0.25W, MF		R...	113	57.11.3352	3.3 kOhm	1%, 0.25W, MF	
R...	4	57.11.3333	33 kOhm	1%, 0.25W, MF		R...	114	57.11.3472	4.7 kOhm	1%, 0.25W, MF	
R...	5	57.11.3333	33 kOhm	1%, 0.25W, MF		R...	115	57.11.3222	2.2 kOhm	1%, 0.25W, MF	
R...	6	57.11.3103	10 kOhm	1%, 0.25W, MF		R...	116	57.11.3392	3.9 kOhm	1%, 0.25W, MF	
R...	7	57.11.3103	10 kOhm	1%, 0.25W, MF		R...	117	57.11.3331	330 Ohm	1%, 0.25W, MF	
R...	8	57.11.3223	22 kOhm	1%, 0.25W, MF		R...	118	57.11.3102	1 kOhm	1%, 0.25W, MF	
R...	9	57.11.3105	1 MOhm	1%, 0.25W, MF		R...	119	57.11.3332	3.3 kOhm	1%, 0.25W, MF	
R...	10	57.11.3223	22 kOhm	1%, 0.25W, MF		R...	120	57.11.3472	4.7 kOhm	1%, 0.25W, MF	
R...	11	57.11.3101	100 Ohm	1%, 0.25W, MF		R...	121	57.11.3222	2.2 kOhm	1%, 0.25W, MF	
R...	12	57.11.3101	100 Ohm	1%, 0.25W, MF		R...	122	57.11.3222	2.2 kOhm	1%, 0.25W, MF	
R...	13	57.11.3103	10 kOhm	1%, 0.25W, MF		R...	123	57.11.3331	330 Ohm	1%, 0.25W, MF	
R...	14	57.11.3682	6.8 kOhm	1%, 0.25W, MF		R...	124	57.11.3102	1 kOhm	1%, 0.25W, MF	
R...	15	57.11.3332	3.3 kOhm	1%, 0.25W, MF		R...	125	57.11.3352	3.3 kOhm	1%, 0.25W, MF	
R...	16	57.11.3332	3.3 kOhm	1%, 0.25W, MF		R...	126	57.11.3472	4.7 kOhm	1%, 0.25W, MF	

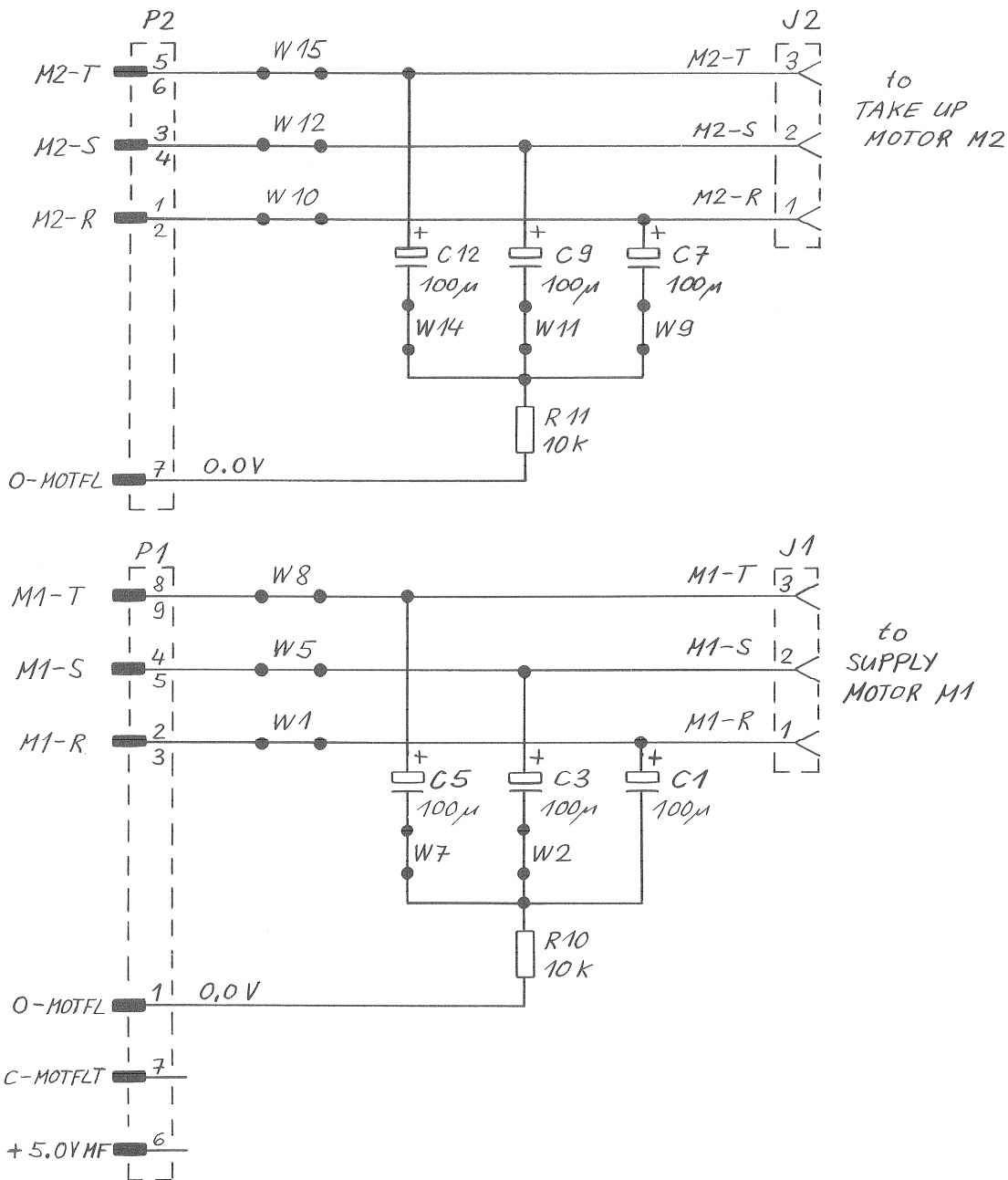
S T U D E R (00) 91/01/22 Wth SPOOLING MOTOR CTL. BOARD PL 1.727.340.23 PAGE 4 S T U D E R (00) 91/01/22 Wth SPOOLING MOTOR CTL. BOARD PL 1.727.340.23 PAGE 7

IND.	POS.NO.	PART NO.	VALUE	SPECIFICATIONS / EQUIVALENT	MANUF.	IND.	POS.NO.	PART NO.	VALUE	SPECIFICATIONS / EQUIVALENT	MANUF.
R...	16	57.11.3332	3.3 kOhm	1%, 0.25W, MF		R...	127	57.11.3222	2.2 kOhm	1%, 0.25W, MF	
R...	17	57.11.3682	6.8 kOhm	1%, 0.25W, MF		R...	128	57.11.3392	3.9 kOhm	1%, 0.25W, MF	
R...	18	57.11.3103	10 kOhm	1%, 0.25W, MF		R...	129	57.11.3331	330 Ohm	1%, 0.25W, MF	
R...	19	57.11.3103	10 kOhm	1%, 0.25W, MF		R...	130	57.11.3102	1 kOhm	1%, 0.25W, MF	
R...	20	57.11.3332	3.3 kOhm	1%, 0.25W, MF		R...	131	57.11.3392	3.9 kOhm	1%, 0.25W, MF	
R...	21	57.11.3223	22 kOhm	1%, 0.25W, MF		R...	132	57.11.3472	4.7 kOhm	1%, 0.25W, MF	
R...	22	57.11.3472	4.7 kOhm	1%, 0.25W, MF		R...	133	57.11.3222	2.2 kOhm	1%, 0.25W, MF	
R...	23	57.11.3472	4.7 kOhm	1%, 0.25W, MF		R...	134	57.11.3392	3.9 kOhm	1%, 0.25W, MF	
R...	24	57.11.3332	3.3 kOhm	1%, 0.25W, MF		R...	135	57.11.3331	330 Ohm	1%, 0.25W, MF	
R...	25	57.11.3332	3.3 kOhm	1%, 0.25W, MF		R...	136	57.11.3102	1 kOhm	1%, 0.25W, MF	
R...	26	57.11.3223	22 kOhm	1%, 0.25W, MF		R...	137	57.11.3332	3.3 kOhm	1%, 0.25W, MF	
R...	27	57.11.3123	12 kOhm	1%, 0.25W, MF		R...	138	57.11.3472	4.7 kOhm	1%, 0.25W, MF	
R...	28		not used			R...	139	57.11.3222	2.2 kOhm	1%, 0.25W, MF	
R...	29	57.11.3223	22 kOhm	1%, 0.25W, MF		R...	140	57.11.3392	3.9 kOhm	1%, 0.25W, MF	
R...	30	57.11.3105	1 MOhm	1%, 0.25W, MF		R...	141	57.11.3331	330 Ohm	1%, 0.25W, MF	
R...	31		not used			R...	142	57.11.3102	1 kOhm	1%, 0.25W, MF	
R...	32	57.11.3332	3.3 kOhm	1%, 0.25W, MF		R...	143	57.11.3332	3.3 kOhm	1%, 0.25W, MF	
R...	33	57.11.3333	33 kOhm	1%, 0.25W, MF		R...	144	57.11.3472	4.7 kOhm	1%, 0.25W, MF	
R...	34	57.11.3109	1 Ohm	1%, 0.25W, MF		R...	145	57.11.3222	2.2 kOhm	1%, 0.25W, MF	
R...	35	58.01.8103	10 kOhm	Potentiometer, PMG		R...	146	57.11.3392	3.9 kOhm	1%, 0.25W, MF	
R...	36	57.11.3472	4.7 kOhm	1%, 0.25W, MF		R...	147	57.11.3331	330 Ohm	1%, 0.25W, MF	
R...	37		not used			R...	148	57.11.3102	1 kOhm	1%, 0.25W, MF	
R...	38	57.11.3333	33 kOhm	1%, 0.25W, MF		R...	149	57.11.3331	330 Ohm	1%, 0.25W, MF	
R...	39	57.11.3103	10 kOhm	1%, 0.25W, MF		R...	150	57.11.3102	1 kOhm	1%, 0.25W, MF	
R...	40	57.11.3123	12 kOhm	1%, 0.25W, MF		R...	151	57.11.3102	1 kOhm	1%, 0.25W, MF	
R...	41	57.11.3123	12 kOhm	1%, 0.25W, MF		R...	152	57.11.3100	10 Ohm	1%, 0.25W, MF	
R...	42	57.11.3393	39 kOhm	1%, 0.25W, MF		R...	153	57.11.3100	10 Ohm	1%, 0.25W, MF	
R...	43	57.11.3563	56 kOhm	1%, 0.25W, MF		TP...	1	54.02.0320	Test Point		AMP
R...	44	57.11.3332	3.3 kOhm	1%, 0.25W, MF		TP...	2	54.02.0320	Test Point		AMP
R...	45	57.11.3103	10 kOhm	1%, 0.25W, MF		TP...	3	54.02.0320	Test Point		AMP
R...	46	57.11.3682	6.8 kOhm	1%, 0.25W, MF		TP...	4	54.02.0320	Test Point		AMP
R...	47		not used			TP...	5	54.02.0320	Test Point		AMP
R...	48		not used			TP...	6	54.02.0320	Test Point		AMP
R...	49	57.11.3332	3.3 kOhm	1%, 0.25W, MF		TP...	7	54.02.0320	Test Point		AMP
R...	50	57.11.3224	220 kOhm	1%, 0.25W, MF		W....	1	64.01.0106	Wire Bridge		
R...	51	57.11.3103	10 kOhm	1%, 0.25W, MF							
R...	52		not used								

S T U D E R (00) 91/01/22 Wth SPOOLING MOTOR CTL. BOARD PL 1.727.340.23 PAGE 5 S T U D E R (00) 91/01/22 Wth SPOOLING MOTOR CTL. BOARD PL 1.727.340.23 PAGE 8

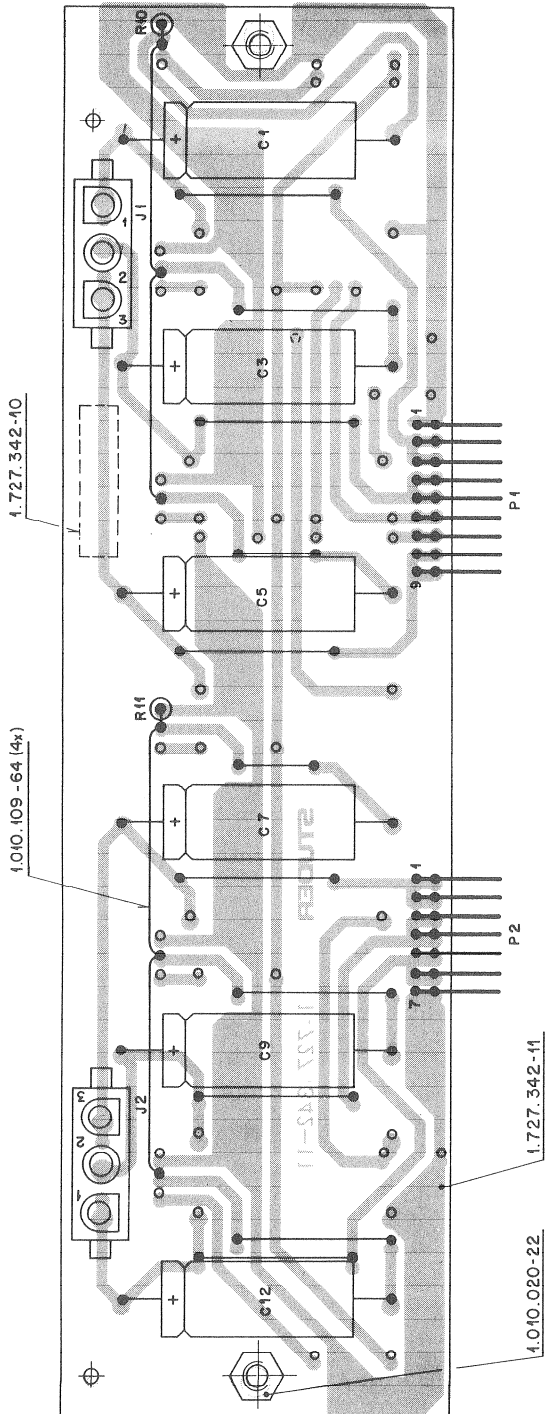
IND.	POS.NO.	PART NO.	VALUE	SPECIFICATIONS / EQUIVALENT	MANUF.	IND.	POS.NO.	PART NO.	VALUE	SPECIFICATIONS / EQUIVALENT	MANUF.
R...	53		not used			W....	2	64.01.0106	Wire Bridge		
R...	54	57.11.3103	10 kOhm	1%, 0.25W, MF		XIC...	1	53.03.0166	8 Pole	IC Socket	
R...	55	57.11.3682	6.8 kOhm	1%, 0.25W, MF		XIC...	2	53.03.0168	16 Pole	IC Socket	
R...	56	57.11.3332	3.3 kOhm	1%, 0.25W, MF		XIC...	3	53.03.0166	8 Pole	IC Socket	
R...	57	57.11.3332	3.3 kOhm	1%, 0.25W, MF		XIC...	4	53.03.0167	14 Pole	IC Socket	
R...	58	57.11.3822	8.2 kOhm	1%, 0.25W, MF		XIC...	5	53.03.0166	8 Pole	IC Socket	
R...	59		not used			XIC...	6	53.03.0168	16 Pole	IC Socket	
R...	60	57.11.3154	150 kOhm	1%, 0.25W, MF		XIC...	7	53.03.0168	16 Pole	IC Socket	
R...	61	57.11.3124	120 kOhm	1%, 0.25W, MF		XIC...	8	53.03.0168	16 Pole	IC Socket	
R...	62	57.11.3154	150 kOhm	1%, 0.25W, MF		XIC...	9	53.03.0166	8 Pole	IC Socket	
R...	63	57.11.3103	10 kOhm	1%, 0.25W, MF		XIC...	10	53.03.0166	8 Pole	IC Socket	
R...	64	57.11.3222	2.2 kOhm	1%, 0.25W, MF		XIC...	11	53.03.0166	8 Pole	IC Socket	
R...	65	57.11.3102	1 kOhm	1%, 0.25W, MF		XIC...	12	53.03.0167	14 Pole	IC Socket	
R...	66	57.11.3102	1 kOhm	1%, 0.25W, MF		XIC...	13	53.03.0166	8 Pole	IC Socket	
R...	67	57.11.3222	2.2 kOhm	1%, 0.25W, MF		XIC...	14	53.03.0166	8 Pole	IC Socket	
R...	68	57.11.3680	68 Ohm	1%, 0.25W, MF		XIC...	15	53.03.0168	16 Pole	IC Socket	
R...	69	57.11.3183	18 kOhm	1%, 0.25W, MF		XIC...	16	53.03.0168	16 Pole	IC Socket	
R...	70	57.11.3100	10 Ohm	1%, 0.25W, MF		XIC...	17	53.03.0166	8 Pole	IC Socket	
R...	71	57.11.3472	4.7 kOhm	1%, 0.25W, MF		XIC...	18	53.03.0168	16 Pole	IC Socket	
R...	72	57.11.3104	100 kOhm	1%, 0.25W, MF							
R...	73	57.11.3103	10 kOhm	1%, 0.25W, MF							
R...	74	57.11.3103	10 kOhm	1%, 0.25W, MF							
R...	75	57.11.3103	10 kOhm	1%, 0.25W, MF							
R...	76	57.11.3223	22 kOhm	1%, 0.25W, MF							
R...	77	57.11.3223	22 kOhm	1%, 0.25W, MF							
R...	78	57.11.3223	22 kOhm	1%, 0.25W, MF							
R...	79	57.11.3103	10 kOhm	1%, 0.25W, MF							
R...	80	57.11.3102	1 kOhm	1%, 0.25W, MF							
R...	81	57.11.3472	4.7 kOhm	1%, 0.25W, MF							
R...	82	57.11.3102	1 kOhm	1%, 0.25W, MF							
R...	83	57.11.3472	4.7 kOhm	1%, 0.25W, MF							
R...	84	57.11.3183	18 kOhm	1%, 0.25W, MF							
R...	85	57.11.3680	68 Ohm	1%, 0.25W, MF							
R...	86	57.11.3100	10 Ohm	1%, 0.25W, MF							
R...	87	57.11.3223									

SPOOLING MOTOR FILTER BOARD 1.727.342.81



© 21.6.91 GP	○ ..	○ ..	○ ..	○ ..
	A807 GR12			PAGE 1 OF 1
STUDER	SP. MOTOR FILTER BOARD		SC	1.727.342.81

SPOOLING MOTOR FILTER BOARD 1.727.342.81



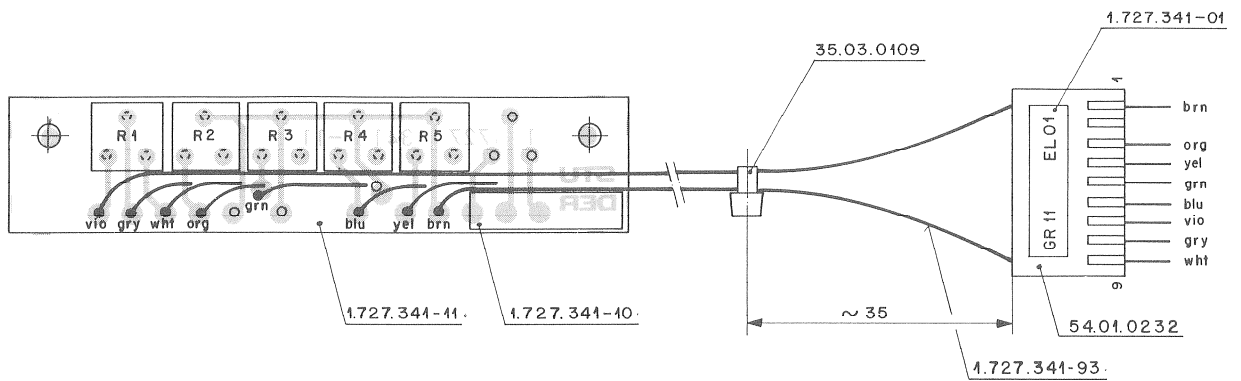
IND.	POS.NO.	PART NO.	VALUE	SPECIFICATIONS / EQUIVALENT	MANUF.
	C.....1	59.25.6101	100 uF	-20% 63 V EL	
	C.....3	59.25.6101	100 uF	-20% 63 V EL	
	C.....5	59.25.6101	100 uF	-20% 63 V EL	
	C.....7	59.25.6101	100 uF	-20% 63 V EL	
	C.....9	59.25.6101	100 uF	-20% 63 V EL	
	C.....12	59.25.6101	100 uF	-20% 63 V EL	
	J.....1	54.25.0003	3-Pol	Power Connector	AMP
	J.....2	54.25.0003	3-Pol	Power Connector	AMP
	MF.....1	1.727.342.11	1 pcs	SP. MOTOR FILTER PCB.	St
	MF.....2	1.727.342.10	1 pcs	No. label	St
	MF.....3	1.010.020.22	2 pcs	Rivetnut 1=15	St
	P.....1	54.01.0220	9 Pol	CIS Pin Strip	
	P.....2	54.01.0223	7 Pol	CIS Pin Strip	
(00)	R.....1	57.11.3472	4.7 kOhm	2%, 0.25W, MF	
(01)	R.....1			not used	
(00)	R.....2	57.11.3471	470 Ohm	2%, 0.25W, MF	
(01)	R.....2			not used	
(00)	R.....3	57.11.3223	22 kOhm	2%, 0.25W, MF	
(01)	R.....3			not used	
(00)	R.....4	57.11.3472	4.7 kOhm	2%, 0.25W, MF	
(01)	R.....4			not used	
(00)	R.....5	57.11.3471	470 Ohm	2%, 0.25W, MF	
(01)	R.....5			not used	
(00)	R.....6	57.11.3471	470 Ohm	2%, 0.25W, MF	
(01)	R.....6			not used	
(00)	R.....7	57.11.3471	470 Ohm	2%, 0.25W, MF	
(01)	R.....7			not used	
(00)	R.....8	57.11.3471	470 Ohm	2%, 0.25W, MF	
(01)	R.....8			not used	
(00)	R.....9	57.11.3471	470 Ohm	2%, 0.25W, MF	
(01)	R.....9			not used	
	R.....10	57.11.3103	10 kOhm	2%, 0.25W, MF	
	R.....11	57.11.3103	10 kOhm	2%, 0.25W, MF	

STUDER (01) 91/06/21 Wth SP. MOTOR FILTER BOARD PL 1.727.342.81 PAGE 1

IND.	POS.NO.	PART NO.	VALUE	SPECIFICATIONS / EQUIVALENT	MANUF.
EL=Electrolytic, MF=Metal Film					
MANUFACTURER: AMP=AMP, St=STUDER					

ORIG 91/01/22 (01) 91/06/21
 STUDER (01) 91/06/21 Wth SP. MOTOR FILTER BOARD PL 1.727.342.81 PAGE 2

TAPE TENSION ADJUST BOARD 1.727.341.00



IND.	POS.NO.	PART NO.	VALUE	SPECIFICATIONS / EQUIVALENT	MANUF.
	MP....1	1.727.341.11	1 pce	Tape Tension Adj. PCB	St
	MP....2	1.727.341.93	1 pce	L-LST Tape Tension Adj.	St
	MP....3	54.01.0232	1 pce	CIS Case, 9 Pol	
	MP....4	1.727.341.10	1 pce	No. label	St
	R....1	58.01.8103	10 kOhm	Potmeter PMG	
	R....2	58.01.8103	10 kOhm	Potmeter PMG	
	R....3	58.01.8103	10 kOhm	Potmeter PMG	
	R....4	58.01.8103	10 kOhm	Potmeter PMG	
	R....5	58.01.8103	10 kOhm	Potmeter PMG	
	R....6			not used	

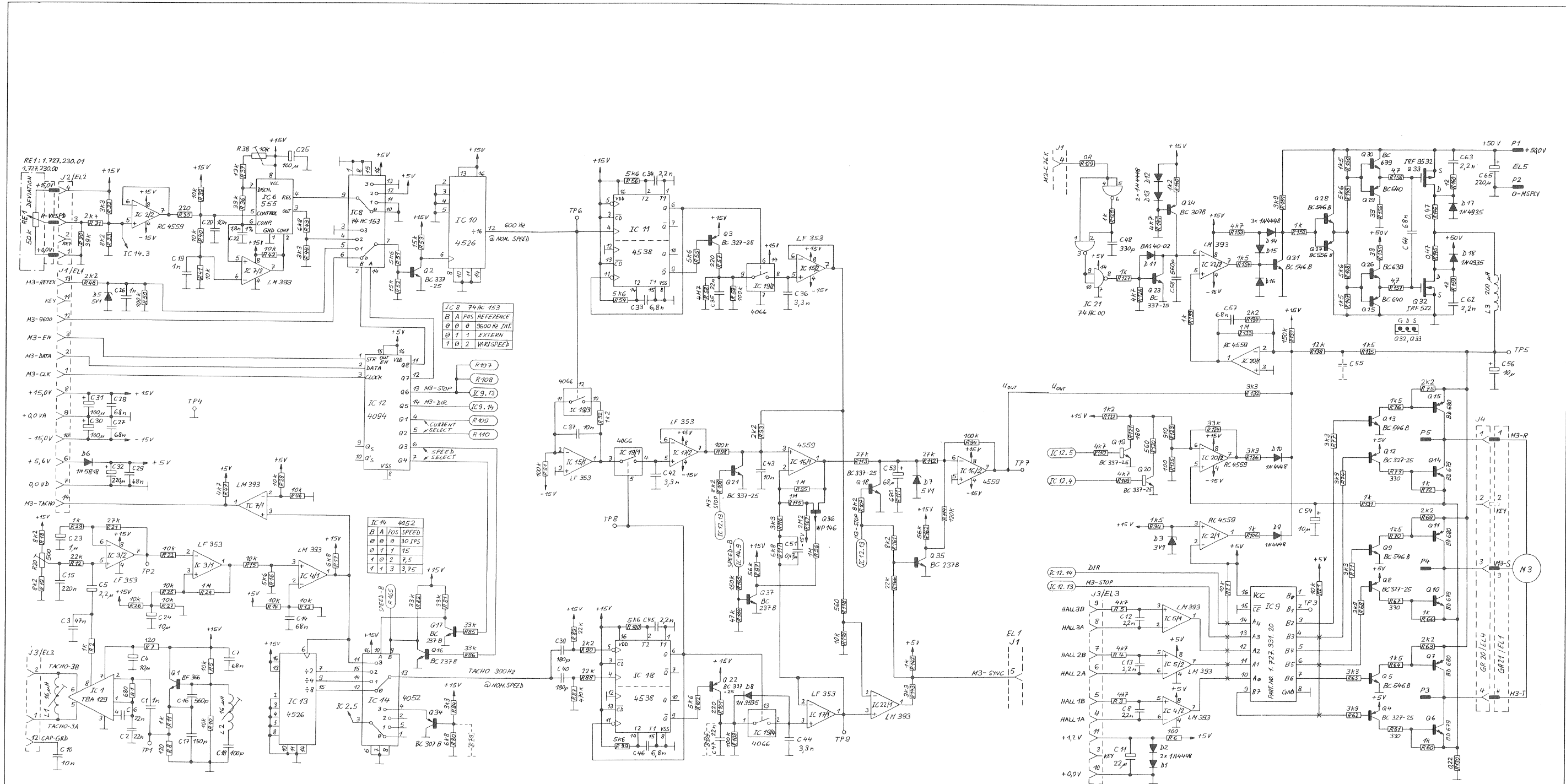
MANUFACTURER: St=Studer

ORIG 86/08/08

S T U D E R (00) 86/08/08 Wth TAPE TENSION ADJ. BOARD

PL 1.727.341.00 PAGE 1

CAPSTAN MOTOR CONTROL 1.727.330.24

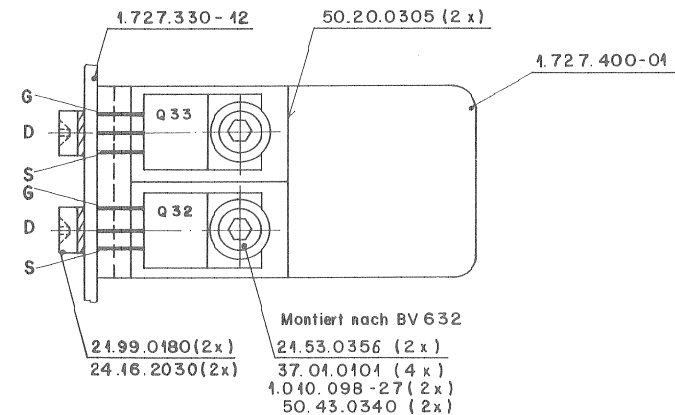
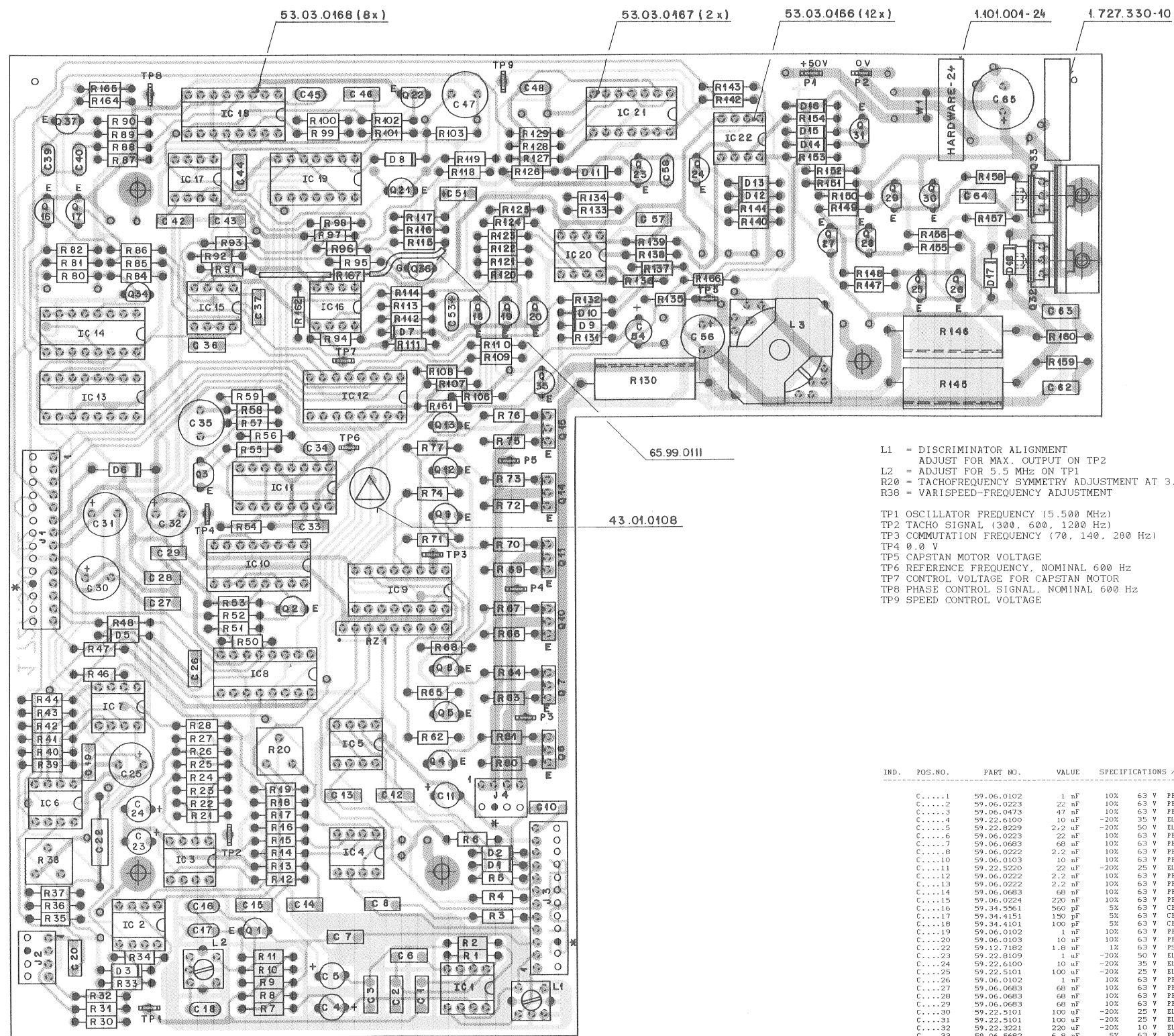


0	7.3.88 GP	1	15.10.90 GP
STUDER		CAPSTAN MOTOR CONTROL		SC	1.727.330.24	

0	7.3.88 GP	1	15.10.90 GP
STUDER		CAPSTAN MOTOR CONTROL		SC	1.727.330.24	

0	7.3.88 GP	1	15.10.90 GP
STUDER		CAPSTAN MOTOR CONTROL		SC	1.727.330.24	

CAPSTAN MOTOR CONTROL 1.727.330.24



- L1 - DISCRIMINATOR ALIGNMENT
- L2 - ADJUST FOR MAX. OUTPUT ON TP2
- L3 - ADJUST FOR 5.5 MHz ON TP1
- R20 - TACHOFREQUENCY SYMMETRY ADJUSTMENT AT 3.75 ips (WOW AND FLUTTER)
- R38 - VARI-SPEED-FREQUENCY ADJUSTMENT
- TP1 OSCILLATOR FREQUENCY (5.500 MHz)
- TP2 TACHO SIGNAL (300, 600, 1200 Hz)
- TP3 COMMUTATION FREQUENCY (70, 140, 280 Hz)
- TP4 0.0 V
- TP5 CAPSTAN MOTOR VOLTAGE
- TP6 REFERENCE FREQUENCY, NOMINAL 600 Hz
- TP7 CONTROL VOLTAGE FOR CAPSTAN MOTOR
- TP8 PHASE CONTROL SIGNAL, NOMINAL 600 Hz
- TP9 SPEED CONTROL VOLTAGE

Q6, 10, 14
AND
Q7, 11, 15
MUST BE THE SAME TYPE FROM
THE SAME MANUFACTURER!
SET NUMBER: 1.727.001.00

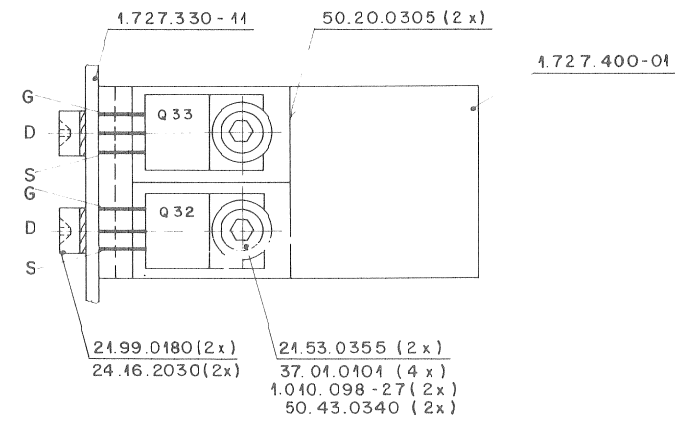
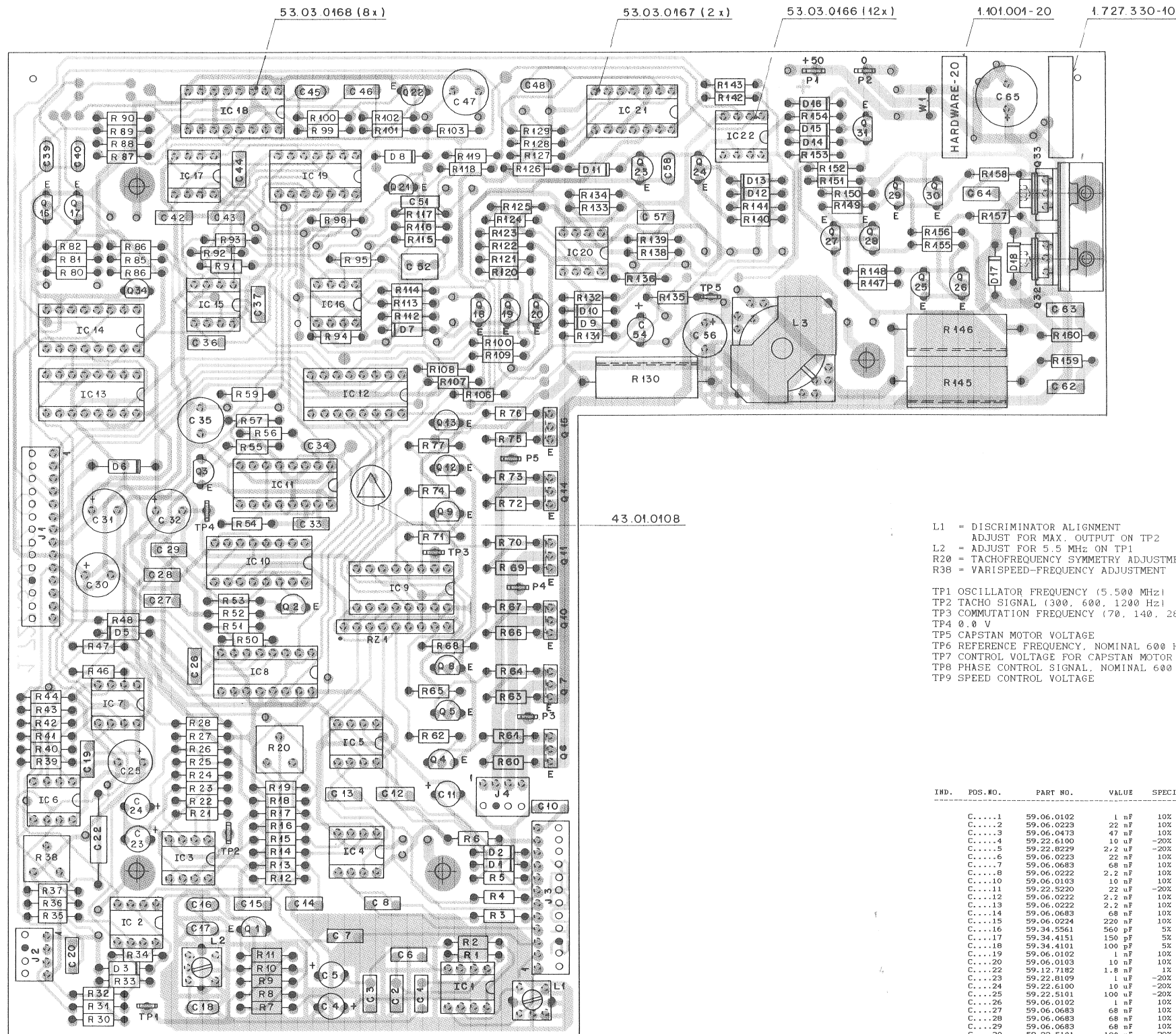
IND.	POS. NO.	PART NO.	VALUE	SPECIFICATIONS / EQUIVALENT	MANUF.	IND.	POS. NO.	PART NO.	VALUE	SPECIFICATIONS / EQUIVALENT	MANUF.
C...	1	59.06.0102	1 nF	10X 63 V PETF		C...	42	59.06.0332	3.3 nF	10X 63 V PETF	
C...	2	59.06.0223	22 nF	10X 63 V PETF		C...	43	59.06.0103	10 nF	10X 63 V PETF	
C...	3	59.06.0473	47 nF	10X 63 V PETF		C...	44	59.06.0332	3.3 nF	10X 63 V PETF	
C...	4	59.22.6100	10 uF	-20X 35 V EL		C...	45	59.06.0222	2.2 nF	10X 63 V PETF	
C...	5	59.22.8229	2.2 uF	-20X 50 V EL		C...	46	59.06.5682	6.8 nF	5X 63 V PETF	
C...	6	59.06.0223	22 nF	10X 63 V PETF		C...	47	59.05.1223	22 nF	1X 63 V PP	
C...	7	59.06.0683	68 nF	10X 63 V PETF		C...	48	59.34.4331	330 pF	5X 63 V CER	
C...	8	59.06.0222	2.2 nF	10X 63 V PETF		C...	49	59.06.5474	470 nF	5X 63 V PETF	
C...	10	59.06.0103	10 nF	10X 63 V PETF		C...	53	59.26.0680	68 uF	20X 6.3 V SAL	Ph
C...	11	59.22.5220	22 uF	-20X 25 V EL		C...	54	59.22.6100	10 uF	-20X 35 V EL	
C...	12	59.06.0222	2.2 nF	10X 63 V PETF		C...	56	59.22.8100	10 uF	-20X 63 V EL	
C...	13	59.06.0222	2.2 nF	10X 63 V PETF		C...	57	59.06.0683	68 nF	10X 63 V PETF	
C...	14	59.06.0683	68 nF	10X 63 V PETF		C...	58	59.34.5561	560 pF	5X 63 V CER	
C...	15	59.06.0224	220 nF	10X 63 V PETF		C...	62	59.06.0222	2.2 nF	10X 63 V PETF	
C...	16	59.34.5561	560 nF	5X 63 V CER		C...	63	59.06.0222	2.2 nF	10X 63 V PETF	
C...	17	59.34.4151	150 pF	5X 63 V CER		C...	64	59.06.0683	68 nF	10X 63 V PETF	
C...	18	59.34.4101	100 pF	5X 63 V CER		C...	65	59.22.8221	220 uF	-20X 63 V EL	
C...	19	59.06.0102	1 nF	10X 63 V PETF		D...	1	50.04.0125	1R4448	50 V	
C...	20	59.06.0103	10 nF	10X 63 V PETF		D...	2	50.04.0125	1R4448	50 V	
C...	22	59.12.7182	1.8 nF	1X 63 V PS -150 +/-60ppm/K		D...	3	50.04.1101	3.3 V	5X 0.4 W	
C...	23	59.22.8109	1 uF	-20X 50 V EL		D...	5	50.04.1112	5.1 V	5X 0.4 W	
C...	24	59.22.6100	10 uF	-20X 35 V EL		D...	6	50.04.0512	1R5818	30 V IN5819 Schottky	
C...	25	59.22.5101	100 uF	-20X 25 V EL		D...	7	50.04.1112	5.1 V	5X 0.4 W	Fc
C...	26	59.06.0102	1 nF	10X 63 V PETF		D...	8	50.04.0134	1N3595 DHD	150 V I rev <1 nA @ 125 V	
C...	27	59.06.0683	68 nF	10X 63 V PETF		D...	9	50.04.0125	1R4448	50 V	
C...	28	59.06.0683	68 nF	10X 63 V PETF		D...	10	50.04.0125	1R4448	50 V	
C...	29	59.06.0683	68 nF	10X 63 V PETF		D...	11	50.04.0127	BAS 40-62	30 V BAT 85; BAT 42 Schottky	Sie, Ph
C...	30	59.22.5101	100 uF	-20X 25 V EL		D...	12	50.04.0125	1R4448	50 V	
C...	31	59.22.5101	100 uF	-20X 25 V EL		D...	13	50.04.0125	1R4448	50 V	
C...	32	59.22.3221	220 uF	-20X 10 V EL		D...	14	50.04.0125	1R4448	50 V	
C...	33	59.06.5682	6.8 nF	5X 63 V PETF		D...	15	50.04.0125	1R4448	50 V	
C...	34	59.06.0222	2.2 nF	10X 63 V PETF		D...	16	50.04.0125	1R4448	50 V	
C...	35	59.05.1223	22 nF	1X 63 V PP		D...	17	50.04.0508	1R4935	200 V 1N4936 RG1D	Hot, GI
C...	36	59.06.0332	3.3 nF	10X 63 V PETF		D...	18	50.04.0508	1R4935	200 V 1N4936 RG1D	Hot, GI
C...	37	59.06.5103	10 nF	5X 63 V PETF		IC...	1	50.11.0137	TBA 129	FM-ZF-Ap., Discriminator	Ph
C...	39	59.34.4181	180 pF	5X 63 V CER							
C...	40	59.34.4181	180 pF	5X 63 V CER							

STUDER A807 MKII

CAPSTAN MOTOR CONTROL 1.727.330.24

IND.	POS. NO.	PART NO.	VALUE	SPECIFICATIONS / EQUIVALENT	MANUF.	IND.	POS. NO.	PART NO.	VALUE	SPECIFICATIONS / EQUIVALENT	MANUF.	IND.	POS. NO.	PART NO.	VALUE	SPECIFICATIONS / EQUIVALENT	MANUF.
IC...	2	50.09.0107	RC 4559	uPC 4559 Dual Op.Amp.	Ra,NEC	R...	23	57.11.3102	1 kOhm	1%, 0.25W, MF		R...	142	57.11.3102	1 kOhm	1%, 0.25W, MF	
IC...	3	50.09.0101	LF 353 N	TL 072 CP Dual Op.Amp. Bi-JFET	NS, TI	R...	24	57.11.3105	1 MOhm	1%, 0.25W, MF		R...	143	57.11.3332	3.3 kOhm	1%, 0.25W, MF	
IC...	4	50.05.0283	LM 393 N	LM 393 P Dual Comp.	NS, TI	R...	25	57.11.3103	10 kOhm	1%, 0.25W, MF		(00)	145	57.56.5108	0.1 Ohm	10%, 4.0 W, Wire	
IC...	5	50.05.0283	LM 393 N	LM 393 P Dual Comp.	NS, TI	R...	26	57.11.3103	10 kOhm	1%, 0.25W, MF		(01)	145	57.56.5108	0.1 Ohm	10%, 4.0 W, Wire	
IC...	6	50.05.0158	NE 555 N	LM 555 CN	Sig, NS	R...	27	57.11.3103	10 kOhm	1%, 0.25W, MF		(00)	146	57.56.5108	0.1 Ohm	10%, 4.0 W, Wire	
IC...	7	50.05.0283	LM 393 N	LM 393 P Dual Comp.	NS, TI	R...	28	57.11.3103	10 kOhm	1%, 0.25W, MF		(01)	146	57.56.5108	0.1 Ohm	10%, 4.0 W, Wire	
IC...	8	50.17.1153	74 HC 153			R...	29	57.11.3332	3.3 kOhm	1%, 0.25W, MF		R...	147	57.11.3152	1.5 kOhm	1%, 0.25W, MF	
IC...	9	50.05.0206		Capstan motor comm. Ctl. 1.727.331.20	St	R...	31	57.11.3242	2.4 kOhm	1%, 0.25W, MF		R...	148	57.11.3562	5.6 kOhm	1%, 0.25W, MF	
IC...	10	50.07.0526	..4526..			R...	32	57.11.3332	3.3 kOhm	1%, 0.25W, MF		R...	149	57.11.3562	5.6 kOhm	1%, 0.25W, MF	
IC...	11	50.07.0538	..4538..		Ph, Hot	R...	33	57.11.3822	8.2 kOhm	1%, 0.25W, MF		R...	150	57.11.3152	1.5 kOhm	1%, 0.25W, MF	
IC...	12	50.07.0018	..4094..			R...	34	57.11.3152	1.5 kOhm	1%, 0.25W, MF		R...	151	57.11.3392	3.9 kOhm	1%, 0.25W, MF	
IC...	13	50.07.0526	..4526..			R...	35	57.11.3221	220 Ohm	1%, 0.25W, MF		R...	152	57.11.3102	1 kOhm	1%, 0.25W, MF	
IC...	14	50.07.0024	..4052..			R...	36	57.11.3333	33 kOhm	1%, 0.25W, MF		R...	153	57.11.3472	4.7 kOhm	1%, 0.25W, MF	
IC...	15	50.09.0101	LF 353 N	TL 072 CP Dual Op.Amp. Bi-JFET	NS, TI	R...	37	57.11.3152	1.5 kOhm	1%, 0.25W, MF		R...	154	57.11.3152	1.5 kOhm	1%, 0.25W, MF	
IC...	16	50.09.0107	RC 4559	uPC 4559 Dual Op.Amp.	Ra, NEC	R...	38	58.01.8103	10 kOhm	10%, 0.5 W, CERMET, lin. Trimpot.		(00)	155	57.11.3120	12 Ohm	1%, 0.25W, MF	
IC...	17	50.09.0101	LF 353 N	TL 072 CP Dual Op.Amp. Bi-JFET	NS, TI	R...	39	57.11.3103	10 kOhm	1%, 0.25W, MF		(01)	155	57.19.0330	33 Ohm	5%, 0.33W, / \ fusible resistor	
IC...	18	50.07.0538	..4538..		Ph, Hot	R...	40	57.11.3103	10 kOhm	1%, 0.25W, MF		(00)	156	57.11.3120	12 Ohm	1%, 0.25W, MF	
IC...	19	50.07.0066	..4066..			R...	41	57.11.3103	10 kOhm	1%, 0.25W, MF		(01)	156	57.11.3120	12 Ohm	1%, 0.25W, MF	
IC...	20	50.09.0107	RC 4559	uPC 4559 Dual Op.Amp.	Ra, NEC	R...	42	57.11.3103	10 kOhm	1%, 0.25W, MF		(00)	157	57.11.3479	4.7 Ohm	5%, 0.33W, / \ fusible resistor	
IC...	21	50.17.1000	74 HC 00			R...	43	57.11.3682	6.8 kOhm	1%, 0.25W, MF		(01)	157	57.19.0479	4.7 Ohm	5%, 0.33W, / \ fusible resistor	
IC...	22	50.05.0283	LM 393 N	LM 393 P Dual Comp.	NS, TI	R...	44	57.11.3332	3.3 kOhm	1%, 0.25W, MF		(00)	158	57.11.3479	4.7 Ohm	1%, 0.25W, MF	
J...	1	54.01.0293	14 Pole	CIS socket strip	AMP	R...	47	57.11.3472	4.7 kOhm	1%, 0.25W, MF		R...	159	57.11.3120	12 Ohm	1%, 0.25W, MF	
J...	2	54.01.0241	4 Pole	CIS socket strip	AMP	R...	48	57.11.3222	2.2 kOhm	1%, 0.25W, MF		R...	160	57.11.3120	12 Ohm	1%, 0.25W, MF	
J...	3	54.01.0215	12 Pole	CIS socket strip	AMP	R...	50	57.11.3104	100 kOhm	1%, 0.25W, MF		R...	161	57.11.3822	8.2 kOhm	1%, 0.25W, MF	
J...	4	54.01.0241	4 Pole	CIS socket strip	AMP	R...	51	57.11.3562	5.6 kOhm	1%, 0.25W, MF		R...	162	57.11.3563	56 kOhm	1%, 0.25W, MF	
L...	1	1.022.222.00	16 uH	HF-Coil	St	R...	52	57.11.3153	15 kOhm	1%, 0.25W, MF		R...	164	57.11.3473	47 kOhm	1%, 0.25W, MF	
L...	2	1.022.222.00	16 uH	HF-Coil	St	R...	53	57.11.3153	15 kOhm	1%, 0.25W, MF		R...	165	57.11.3154	150 kOhm	1%, 0.25W, MF	
L...	3	1.022.221.00	196 uH	Filter Coil	St	R...	54	57.11.3562	5.6 kOhm	1%, 0.25W, MF		R...	166	57.11.3223	22 kOhm	1%, 0.25W, MF	
MP...	1	1.727.330.12	1 pce	PC Board	St	R...	55	57.11.3562	5.6 kOhm	1%, 0.25W, MF		R...	167	57.11.5225	2.2 MOhm	1%, 0.25W, MF	
MP...	2	1.727.400.01	1 pce	HeatSink	St	R...	56	57.11.3221	220 Ohm	1%, 0.25W, MF		RZ...	1	57.88.4103	8410 kOhm	5%, Single Line	
MP...	3	21.99.0180	2 pce	M3 * 5 Cross recessed oval head screw		R...	58	57.11.5475	4.7 MOhm	5%, 0.25W, MF		TP...	1	54.02.0320	1 Pole	Tab	
MP...	4	21.53.0385	2 pce	M3 * 8 Hexagon socket head cap screw		R...	59	57.11.3104	100 kOhm	1%, 0.25W, MF		TP...	2	54.02.0320	1 Pole	Tab	
MP...	5	24.16.2030	2 pce	Serrated lock washer D3.2/6.0		R...	61	57.11.3391	330 Ohm	1%, 0.25W, MF		TP...	3	54.02.0320	1 Pole	Tab	
MP...	6	37.01.0101	4 pce	Disc spring D3.2/8.0 * 0.3		R...	62	57.11.3392	3.9 kOhm	1%, 0.25W, MF		TP...	4	54.02.0320	1 Pole	Tab	
S T U D E R (01) 90/10/15 GP CAPSTAN MOTOR CONTROL PL 1.727.330.24 PAGE 3						S T U D E R (01) 90/10/15 GP CAPSTAN MOTOR CONTROL PL 1.727.330.24 PAGE 6						S T U D E R (01) 90/10/15 GP CAPSTAN MOTOR CONTROL PL 1.727.330.24 PAGE 9					
MP...	7	50.20.0404	2 pce	Insulating pass through D6.0/3.5		R...	63	57.11.3222	2.2 kOhm	1%, 0.25W, MF		TP...	5	54.02.0320	1 Pole	Tab	
MP...	8	1.010.098.27	2 pce	Distance socket D3.1/7.0 * 2.3	St	R...	64	57.11.3152	1.5 kOhm	1%, 0.25W, MF		TP...	6	54.02.0320	1 Pole	Tab	
MP...	9	50.20.0305	2 pce	Greased insulation for TO 220		R...	65	57.11.3332	3.3 kOhm	1%, 0.25W, MF		TP...	7	54.02.0320	1 Pole	Tab	
MP...	10	1.727.330.10	1 pce	No. label	St	R...	66	57.11.3102	1 kOhm	1%, 0.25W, MF		TP...	8	54.02.0320	1 Pole	Tab	
MP...	11	1.727.331.01	1 pce	No. label 5 * 17	St	R...	67	57.11.3331	330 Ohm	1%, 0.25W, MF		TP...	9	54.02.0320	1 Pole	Tab	
MP...	12	45.01.0108	1 pce	ESL label	St	R...	68	57.11.3392	3.9 kOhm	1%, 0.25W, MF		W...	1	1.010.321.64		Wire Bridge	
MP...	13	1.101.001.24	1 pce	Hardware label -24	St	R...	69	57.11.3222	2.2 kOhm	1%, 0.25W, MF		XIC...	1	53.03.0166	8 Pole	IC socket	
P...	1	54.02.0320	1 Pole	Tab		R...	70	57.11.3152	1.5 kOhm	1%, 0.25W, MF		XIC...	2	53.03.0166	8 Pole	IC socket	
P...	2	54.02.0320	1 Pole	Tab		R...	71	57.11.3332	3.3 kOhm	1%, 0.25W, MF		XIC...	3	53.03.0166	8 Pole	IC socket	
P...	3	54.02.0320	1 Pole	Tab		R...	72	57.11.3102	1 kOhm	1%, 0.25W, MF		XIC...	4	53.03.0166	8 Pole	IC socket	
P...	4	54.02.0320	1 Pole	Tab		R...	73	57.11.3331	330 Ohm	1%, 0.25W, MF		XIC...	5	53.03.0166	8 Pole	IC socket	
P...	5	54.02.0320	1 Pole	Tab		R...	74	57.11.3392	3.9 kOhm	1%, 0.25W, MF		XIC...	6	53.03.0166	8 Pole	IC socket	
Q...	1	50.03.0514	BF 366	NPN	Hot	R...	75	57.11.3222	2.2 kOhm	1%, 0.25W, MF		XIC...	7	53.03.0166	8 Pole	IC socket	
Q...	2	50.03.0340	BC 327-25	PNP		R...	76	57.11.3152	1.5 kOhm	1%, 0.25W, MF		XIC...	8	53.03.0166	8 Pole	IC socket	
Q...	3	50.03.0351	BC 327-25	PNP		R...	77	57.11.3332	3.3 kOhm	1%, 0.25W, MF		XIC...	9	53.03.0166	8 Pole	IC socket	
Q...	4	50.03.0351	BC 327-25	PNP		R...	78	57.11.3682	6.8 kOhm	1%, 0.25W, MF		XIC...	10	53.03.0166	8 Pole	IC socket	
Q...	5	50.03.0491	BC 546 B	NPN		R...	81	57.11.3333	33 kOhm	1%, 0.25W, MF		XIC...	11	53.03.0168	16 Pole	IC socket	
Q...	6	50.03.0749	BD 679	Darl.	NPN (see note 1) Ph, SGS	R...	82	57.11.3333	33 kOhm	1%, 0.25W, MF		XIC...	12	53.03.0168	16 Pole	IC socket	
Q...	7	50.03.0799	BD 680	Darl.	NPN (see note 1) Ph, SGS	R...	83	57.11.3333	33 kOhm	1%, 0.25W, MF		XIC...	13	53.03.0168	16 Pole	IC socket	
Q...	8	50.03.0351	BC 327-25	PNP		R...	86	57.11.3333	33 kOhm	1%, 0.25W, MF		XIC...	14	53.03.0168	16 Pole	IC socket	
Q...	9	50.03.0491	BC 546 B	NPN		R...	87	57.11.3474	470 kOhm	1%, 0.25W, MF		XIC...	15	53.03.0168	16 Pole	IC socket	
Q...	10	50.03.0749	BD 679	Darl.	NPN (see note 1) Ph, SGS	R...	88	57.11.3223	22 kOhm	1%, 0.25W, MF		XIC...	16	53.03.0168	8 Pole	IC socket	
Q...	11	50.03.0799	BD 680	Darl.	NPN (see note 1) Ph, SGS	R...	89	57.11.3223	22 kOhm	1%, 0.25W, MF		XIC...	17	53.03.0168	8 Pole	IC socket	
Q...	12	50.03.0351	BC 327-25	PNP		R...	90	57.11.3222	2.2 kOhm	1%, 0.25W, MF		XIC...	18	53.03.0168	8 Pole	IC socket	
Q...	13	50.03.0491	BC 546 B	NPN		R...	91	57.11.3104	100 kOhm	1%, 0.25W, MF		XIC...	19	53.03.0167	14 Pole	IC socket	
Q...	14	50.03.0749	BD 679	Darl.	NPN (see note 1) Ph, SGS	R...	92	57.11.3122	1.2 kOhm	1%, 0.25W, MF		XIC...	20	53.03.0166	8 Pole	IC socket	
Q...	15	50.03.0799	BD 680	Darl.	NPN (see note 1) Ph, SGS	R...	93	57.11.3222	2.2 kOhm	1%, 0.25W, MF		XIC...	21	53.03.0167	14 Pole	IC socket	
Q...	16	50.03.0436	BC 237 B	NPN		R...	94	57.11.3104	100 kOhm	1%, 0.25W, MF		XIC...	22	53.03.0166	8 Pole	IC socket	
Q...	17	50.03.0436	BC 547 B	NPN		R...	95	57.11.3105	1 MOhm	1%, 0.25W, MF							
Q...	18	50.03.0340	BC 337-25	PNP		R...	96	57.11.3105	1 MOhm	1%, 0.25W, MF							
Q...	19	50.03.0340	BC 337-25	PNP		R...											

CAPSTAN MOTOR CONTROL HS 1.727.335.20



L1 - DISCRIMINATOR ALIGNMENT
 ADJUST FOR MAX. OUTPUT ON TP2
 L2 - ADJUST FOR 5.5 MHz ON TP1
 R20 - TACHOFREQUENCY SYMMETRY ADJUSTMENT AT 3.75 ips (WOW AND FLUTTER)
 R38 - VARISPEED-FREQUENCY ADJUSTMENT

TP1 OSCILLATOR FREQUENCY (5.500 MHz)
 TP2 TACHO SIGNAL (300, 600, 1200 Hz)
 TP3 COMMUTATION FREQUENCY (70, 140, 280 Hz)
 TP4 0.0 V
 TP5 CAPSTAN MOTOR VOLTAGE
 TP6 REFERENCE FREQUENCY, NOMINAL 600 Hz
 TP7 CONTROL VOLTAGE FOR CAPSTAN MOTOR
 TP8 PHASE CONTROL SIGNAL, NOMINAL 600 Hz
 TP9 SPEED CONTROL VOLTAGE

Q6, 10, 14
 AND
 Q7, 11, 15
 MUST BE THE SAME TYPE FROM
 THE SAME MANUFACTURER!
 SET NUMBER: 1.727.001.00

IND.	POS. NO.	PART NO.	VALUE	SPECIFICATIONS / EQUIVALENT	MANUF.	IND.	POS. NO.	PART NO.	VALUE	SPECIFICATIONS / EQUIVALENT	MANUF.
C...	1	59.06.0102	1 nF	10% 63 V PETF		C...	42	59.06.0332	3.3 nF	10% 63 V PETF	
C...	2	59.06.0223	22 nF	10% 63 V PETF		C...	43	59.06.0103	10 nF	10% 63 V PETF	
C...	3	59.06.0473	47 nF	10% 63 V PETF		C...	44	59.06.0332	3.3 nF	10% 63 V PETF	
C...	4	59.22.6100	10 uF	-20% 35 V EL		C...	45	59.06.0222	2.2 nF	10% 63 V PETF	
C...	5	59.22.8229	2.2 uF	-20% 50 V EL		C...	46	59.06.5682	6.8 nF	5% 63 V PETF	
C...	6	59.06.0223	22 nF	10% 63 V PETF		C...	47	59.05.1223	22 nF	1% 63 V PP	
C...	7	59.06.0683	68 nF	10% 63 V PETF		C...	48	59.34.4331	330 pF	5% 63 V CER	
C...	8	59.06.0222	2.2 nF	10% 63 V PETF		C...	51	59.26.5229	2.2 uF	20% 25 V SAL	Ph
C...	10	59.06.0103	10 nF	10% 63 V PETF		C...	53	59.26.0680	68 nF	20% 6.3 V SAL	Ph
C...	11	59.22.5220	22 uF	-20% 25 V EL		C...	54	59.22.6100	10 uF	-20% 35 V EL	
C...	12	59.06.0222	2.2 nF	10% 63 V PETF		C...	56	59.22.8100	10 uF	-20% 63 V EL	
C...	13	59.06.0222	2.2 nF	10% 63 V PETF		C...	57	59.06.0683	68 nF	10% 63 V PETF	
C...	14	59.06.0683	68 nF	10% 63 V PETF		C...	58	59.34.5561	560 pF	5% 63 V CER	
C...	15	59.06.0224	2.2 nF	10% 63 V PETF		C...	62	59.06.0222	2.2 nF	10% 63 V PETF	
C...	16	59.34.5561	560 pF	5% 63 V CER		C...	63	59.06.0222	2.2 nF	10% 63 V PETF	
C...	17	59.34.4151	150 pF	5% 63 V CER		C...	64	59.06.0683	68 nF	10% 63 V PETF	
C...	18	59.34.4101	100 pF	5% 63 V CER		C...	65	59.22.8221	220 nF	-20% 63 V EL	
C...	19	59.06.0102	1 nF	10% 63 V PETF		D...	1	50.04.0125	1N4448	50 V	
C...	20	59.06.0103	10 nF	10% 63 V PETF		D...	2	50.04.0125	1N4448	50 V	
C...	22	59.12.7182	1.8 nF	1% 63 V PS		D...	3	50.04.1101	3.9 V	5% 0.4 W	
C...	23	59.22.8109	1 uF	-20% 50 V EL	-150 +60ppm/K	D...	5	50.04.1112	5.1 V	5% 0.4 W	
C...	24	59.22.6100	10 uF	-20% 35 V EL		D...	6	50.04.0512	30 V	1N5819 Schottky	
C...	25	59.22.5101	100 uF	-20% 25 V EL		D...	7	50.04.1112	5.1 V	5% 0.4 W	
C...	26	59.06.0102	1 nF	10% 63 V PETF		D...	8	50.04.0134	1N3595 DHD	150 V I rev <1 nA @ 125 V	Fc
C...	27	59.06.0683	68 nF	10% 63 V PETF		D...	9	50.04.0125	1N4448	50 V	
C...	28	59.06.0683	68 nF	10% 63 V PETF		D...	10	50.04.0125	1N4448	50 V	
C...	29	59.06.0683	68 nF	10% 63 V PETF		D...	11	50.04.0127	BAS 40-02	30 V BAT 85, BAT 42 Schottky	Sie-Ph
C...	30	59.22.5101	100 uF	-20% 25 V EL		D...	12	50.04.0125	1N4448	50 V	
C...	31	59.22.5101	100 uF	-20% 25 V EL		D...	13	50.04.0125	1N4448	50 V	
C...	32	59.22.3221	220 uF	-20% 10 V EL		D...	14	50.04.0125	1N4448	50 V	
C...	33	59.06.5682	6.8 nF	5% 63 V PETF		D...	15	50.04.0125	1N4448	50 V	
C...	34	59.06.0222	2.2 nF	10% 63 V PETF		D...	16	50.04.0125	1N4448	50 V	
C...	35	59.05.1223	22 nF	1% 63 V PP		D...	17	50.04.0508	1N4935	200 V 1N4936 RGLD	Not-GI
C...	36	59.06.0332	3.3 nF	10% 63 V PETF		D...	18	50.04.0508	1N4935	200 V 1N4936 RGLD	Not-GI
C...	37	59.06.5103	51 nF	5% 63 V PETF		IC...	1	50.11.0137	TBA 129 FM-ZF-Amp./Discriminator	Ph	
C...	39	59.34.4181	180 pF	5% 63 V CER							
C...	40	59.34.4181	180 pF	5% 63 V CER							

STUDER A807 MKII

CAPSTAN MOTOR CONTROL HS 1.727.335.20

IND.	POS.NO.	PART NO.	VALUE	SPECIFICATIONS / EQUIVALENT	MANUF.	IND.	POS.NO.	PART NO.	VALUE	SPECIFICATIONS / EQUIVALENT	MANUF.	IND.	POS.NO.	PART NO.	VALUE	SPECIFICATIONS / EQUIVALENT	MANUF.
IC...	2	50.09.0107	RC 4559	uPC 4559 Dual Op.Amp.	Ra,NEC	R...	23	57.11.3102	1 kOhm	1% 0.25W MF		R...	142	57.11.3102	1 kOhm	1% 0.25W MF	
IC...	3	50.09.0101	LF 353 N	TL 072 CP Dual Op.Amp. Bi-JFET	NS, TI	R...	24	57.11.3105	1 MOhm	1% 0.25W MF		R...	143	57.11.3332	3.3 kOhm	1% 0.25W MF	
IC...	4	50.05.0283	LM 393 N	LM 393 F Dual Comp.	NS, TI	R...	25	57.11.3103	10 kOhm	1% 0.25W MF		(00)	145	57.56.5108	0.1 Ohm	10% 4.0 W Wire	
IC...	5	50.05.0283	LM 393 N	LM 393 F Dual Comp.	NS, TI	R...	26	57.11.3103	10 kOhm	1% 0.25W MF		(01)	145	57.56.5478	0.47 Ohm	10% 4.0 W Wire	
IC...	6	50.05.0158	NE 555 N	LM 555 CN Dual Comp.	Sig, HS	R...	27	57.11.3103	10 kOhm	1% 0.25W MF		(00)	146	57.56.5108	0.1 Ohm	10% 4.0 W Wire	
IC...	7	50.05.0283	LM 393 N	LM 393 F Dual Comp.	NS, TI	R...	28	57.11.3103	10 kOhm	1% 0.25W MF		(01)	146	57.56.5478	0.47 Ohm	10% 4.0 W Wire	
IC...	8	50.17.1153	74 HC 153	Capstan motor com. Ctl. 1.727.331.20	St	R...	30	57.11.3393	39 kOhm	1% 0.25W MF		R...	147	57.11.3152	1.5 kOhm	1% 0.25W MF	
IC...	9	50.05.0206	..4526..			R...	31	57.11.3242	2.4 kOhm	1% 0.25W MF		R...	148	57.11.3562	5.6 kOhm	1% 0.25W MF	
IC...	10	50.07.0526	..4526..			R...	32	57.11.3332	3.3 kOhm	1% 0.25W MF		R...	149	57.11.3562	5.6 kOhm	1% 0.25W MF	
IC...	11	50.07.0538	..4538..		Ph, Mot	R...	33	57.11.3322	8.2 kOhm	1% 0.25W MF		R...	150	57.11.3152	1.5 kOhm	1% 0.25W MF	
IC...	12	50.07.0018	..4094..			R...	34	57.11.3152	1.5 kOhm	1% 0.25W MF		R...	151	57.11.3392	3.9 kOhm	1% 0.25W MF	
IC...	13	50.07.0526	..4526..			R...	35	57.11.3221	220 Ohm	1% 0.25W MF		R...	152	57.11.3102	1 kOhm	1% 0.25W MF	
IC...	14	50.07.0024	..4052..			R...	36	57.11.3333	33 kOhm	1% 0.25W MF		R...	153	57.11.3472	4.7 kOhm	1% 0.25W MF	
IC...	15	50.09.0101	LF 353 N	TL 072 CP Dual Op.Amp. Bi-JFET	NS, TI	R...	37	57.11.3133	13 kOhm	1% 0.25W MF		R...	154	57.11.3152	1.5 kOhm	1% 0.25W MF	
IC...	16	50.09.0107	RC 4559	uPC 4559 Dual Op.Amp.	Ra, NEC	R...	38	58.01.8103	10 kOhm	10% 0.5 W CERMET, lin. Trimapot.		(00)	155	57.11.3120	12 Ohm	1% 0.25W MF	
IC...	17	50.09.0101	LF 353 N	TL 072 CP Dual Op.Amp. Bi-JFET	NS, TI	R...	39	57.11.3103	10 kOhm	1% 0.25W MF		(01)	155	57.19.0330	33 Ohm	5% 0.33W / \ fusible resistor	
IC...	18	50.07.0538	..4538..		Ph, Mot	R...	40	57.11.3103	10 kOhm	1% 0.25W MF		(00)	156	57.11.3120	12 Ohm	1% 0.25W MF	
IC...	19	50.07.0066	..4066..			R...	41	57.11.3103	10 kOhm	1% 0.25W MF		(01)	156	57.19.0330	33 Ohm	5% 0.33W / \ fusible resistor	
IC...	20	50.09.0107	RC 4559	uPC 4559 Dual Op.Amp.	Ra, NEC	R...	42	57.11.3103	10 kOhm	1% 0.25W MF		(00)	157	57.11.3479	4.7 Ohm	1% 0.25W MF	
IC...	21	50.17.1000	74 HC 00			R...	43	57.11.3682	6.8 kOhm	1% 0.25W MF		(01)	157	57.19.0479	4.7 Ohm	5% 0.33W / \ fusible resistor	
IC...	22	50.05.0283	LM 393 N	LM 393 F Dual Comp.	NS, TI	R...	44	57.11.3332	3.3 kOhm	1% 0.25W MF		(00)	158	57.11.3479	4.7 Ohm	1% 0.25W MF	
J...	1	54.01.0293	14 Pole	CIS socket strip	AMP	R...	46	57.11.3103	10 kOhm	1% 0.25W MF		(01)	158	57.19.0479	4.7 Ohm	5% 0.33W / \ fusible resistor	
J...	2	54.01.0241	12 Pole	CIS socket strip	AMP	R...	47	57.11.3472	4.7 kOhm	1% 0.25W MF		R...	159	57.11.3120	12 Ohm	1% 0.25W MF	
J...	3	54.01.0215	14 Pole	CIS socket strip	AMP	R...	48	57.11.3222	2.2 kOhm	1% 0.25W MF		R...	160	57.11.3120	12 Ohm	1% 0.25W MF	
J...	4	54.01.0241	4 Pole	CIS socket strip	AMP	R...	50	57.11.3104	100 kOhm	1% 0.25W MF		R...	161	57.11.3822	8.2 kOhm	1% 0.25W MF	
L...	1	1.022.222.00	16 uH	HF-Coil	St	R...	51	57.11.3562	5.6 kOhm	1% 0.25W MF		R...	162	57.11.3563	5.6 kOhm	1% 0.25W MF	
L...	2	1.022.222.00	16 uH	HF-Coil	St	R...	52	57.11.3153	15 kOhm	1% 0.25W MF		R...	164	57.11.3473	4.7 kOhm	1% 0.25W MF	
L...	3	1.022.251.00	196 uH	Filter Coil	St	R...	53	57.11.3153	15 kOhm	1% 0.25W MF		R...	165	57.11.3154	150 kOhm	1% 0.25W MF	
MP...	1	1.727.330.12	1 pce	PC Board	St	R...	54	57.11.3562	5.6 kOhm	1% 0.25W MF		R...	166	57.11.3223	2.2 kOhm	1% 0.25W MF	
MP...	2	1.727.400.01	1 pce	Heatshink	St	R...	55	57.11.3562	5.6 kOhm	1% 0.25W MF		R...	167	57.11.5225	2.2 MOhm	5% 0.25W MF	
MP...	3	21.99.0180	2 pce	M3 x 5 Cross recessed oval head screw		R...	56	57.11.3221	220 Ohm	1% 0.25W MF		RZ...	1	57.88.4103	8x10 kOhm	5% Single Line	
MP...	4	21.53.0355	2 pce	M3 A 8 Hexagon socket head cap screw		R...	58	57.11.5475	4.7 MOhm	5% 0.25W MF		TP...	1	54.02.0320	1 Pole	Tab	
MP...	5	24.16.2030	2 pce	Serral lock washer D3.2/6.0		R...	59	57.11.3104	100 kOhm	1% 0.25W MF		TP...	2	54.02.0320	1 Pole	Tab	
MP...	6	37.01.0101	4 pce	Disc spring B3.2/8.0 x 0.3		R...	60	57.11.3102	1 kOhm	1% 0.25W MF		TP...	3	54.02.0320	1 Pole	Tab	
MP...	6	37.01.0101	4 pce	Disc spring B3.2/8.0 x 0.3		R...	62	57.11.3392	3.9 kOhm	1% 0.25W MF		TP...	4	54.02.0320	1 Pole	Tab	

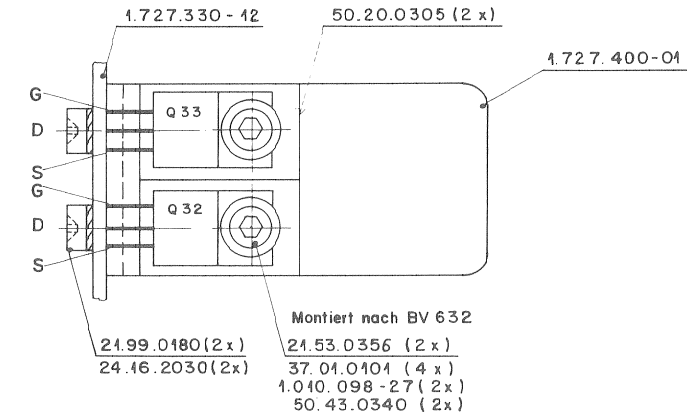
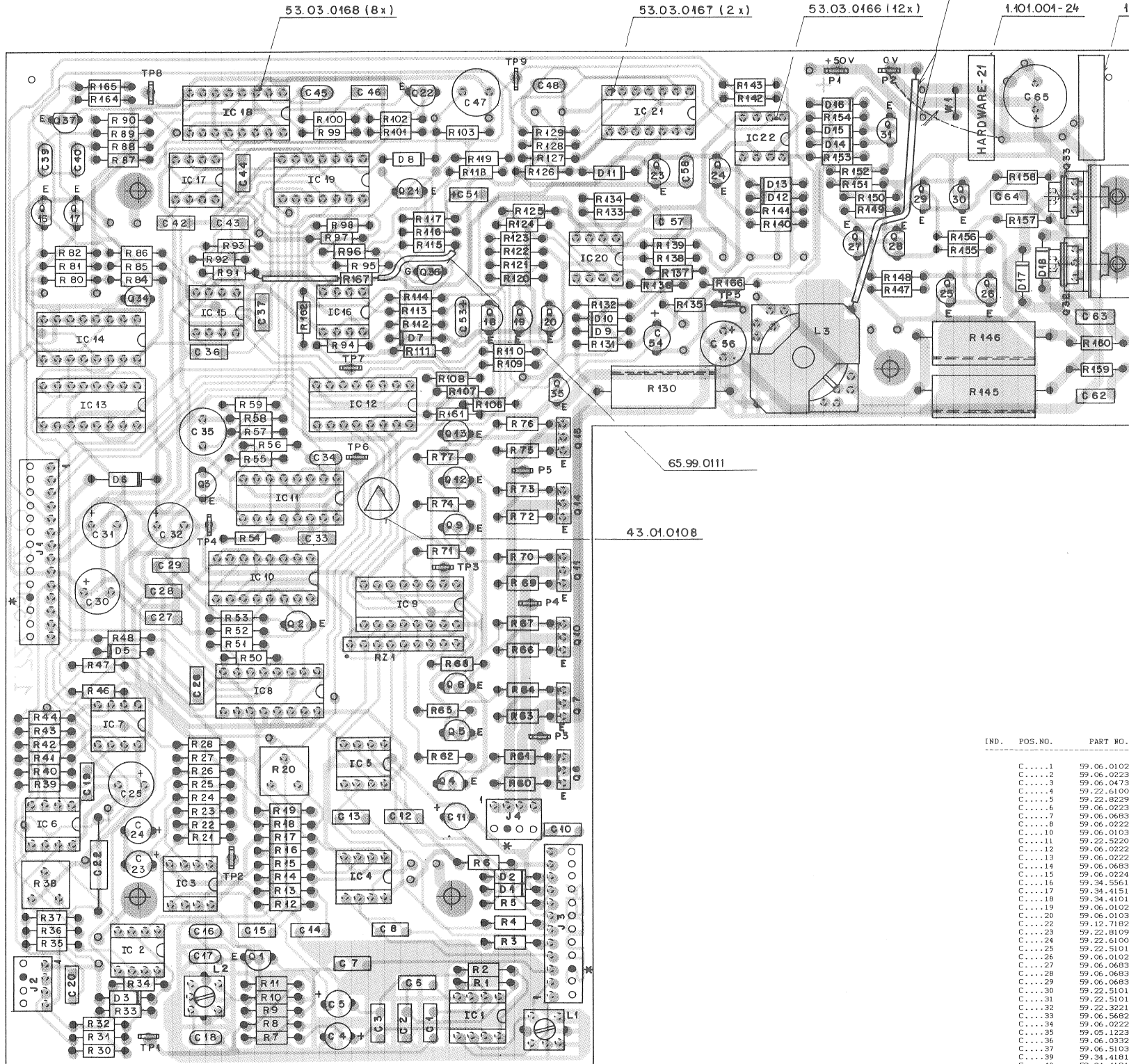
S T U D E R (01) 90/10/15 GP CAPSTAN MOTOR CONTROL HS PL 1.727.335.20 PAGE 3 S T U D E R (01) 90/10/15 GP CAPSTAN MOTOR CONTROL HS PL 1.727.335.20 PAGE 6 S T U D E R (01) 90/10/15 GP CAPSTAN MOTOR CONTROL HS PL 1.727.335.20 PAGE 9

IND.	POS.NO.	PART NO.	VALUE	SPECIFICATIONS / EQUIVALENT	MANUF.	IND.	POS.NO.	PART NO.	VALUE	SPECIFICATIONS / EQUIVALENT	MANUF.	IND.	POS.NO.	PART NO.	VALUE	SPECIFICATIONS / EQUIVALENT	MANUF.
MP...	7	50.20.0404	2 pce	Insulating pass through D6.0/3.5	St	R...	63	57.11.3222	2.2 kOhm	1% 0.25W MF		TP...	5	54.02.0320	1 Pole	Tab	
MP...	8	1.010.098.27	2 pce	Distance socket EG.17.0 x 2.3	St	R...	64	57.11.3152	1.5 kOhm	1% 0.25W MF		TP...	6	54.02.0320	1 Pole	Tab	
MP...	9	50.20.0305	2 pce	Greased insulation for TO 220	St	R...	65	57.11.3332	3.3 kOhm	1% 0.25W MF		TP...	7	54.02.0320	1 Pole	Tab	
MP...	10	1.727.335.10	1 pce	No. label	St	R...	66	57.11.3102	1 kOhm	1% 0.25W MF		TP...	8	54.02.0320	1 Pole	Tab	
MP...	11	1.727.331.01	1 pce	No. label 5 x 17	St	R...	67	57.11.3331	330 kOhm	1% 0.25W MF		TP...	9	54.02.0320	1 Pole	Tab	
MP...	12	43.01.0109	1 pce	ESE label	St	R...	68	57.11.3392	3.9 kOhm	1% 0.25W MF		W...	1	1.010.321.64		Wire Bridge	
MP...	13	1.101.001.20	1 pce	Hardware label -20	St	R...	69	57.11.3222	2.2 kOhm	1% 0.25W MF		XIC...	1	53.03.0166	8 Pole	IC socket	
F...	1	54.02.0320	1 Pole	Tab		R...	70	57.11.3152	1.5 kOhm	1% 0.25W MF		XIC...	2	53.03.0166	8 Pole	IC socket	
F...	2	54.02.0320	1 Pole	Tab		R...	71	57.11.3332	3.3 kOhm	1% 0.25W MF		XIC...	3	53.03.0166	8 Pole	IC socket	
F...	3	54.02.0320	1 Pole	Tab		R...	72	57.11.3102	1 kOhm	1% 0.25W MF		XIC...	4	53.03.0166	8 Pole	IC socket	
F...	4	54.02.0320	1 Pole	Tab		R...	73	57.11.3331	330 Ohm	1% 0.25W MF		XIC...	5	53.03.0166	8 Pole	IC socket	
F...	5	54.02.0320	1 Pole	Tab		R...	74	57.11.3392	3.9 kOhm	1% 0.25W MF		XIC...	6	53.03.0166	8 Pole	IC socket	
F...	5	54.02.0320	1 Pole	Tab		R...	75	57.11.3222	2.2 kOhm	1% 0.25W MF		XIC...	7	53.03.0166	8 Pole	IC socket	
F...	5	54.02.0320	1 Pole	Tab		R...	76	57.11.3152	1.5 kOhm	1% 0.25W MF		XIC...	8	53.03.0166	8 Pole	IC socket	
Q...	1	50.03.0514	BF 366	NPN	Not	R...	77	57.11.3332	3.3 kOhm	1% 0.25W MF		XIC...	9	53.03.0166	8 Pole	IC socket	
Q...	2	50.03.0340	BC 337-25	NPN		R...	78	57.11.3682	6.8 kOhm	1% 0.25W MF		XIC...	10	53.03.0166	16 Pole	IC socket	
Q...	3	50.03.0351	BC 327-25	PNP		R...	81	57.11.3333	33 kOhm	1% 0.25W MF		XIC...	11	53.03.0166	16 Pole	IC socket	
Q...	4	50.03.0351	BC 327-25	PNP		R...	82	57.11.3333	33 kOhm	1% 0.25W MF		XIC...	12	53.03.0166	16 Pole	IC socket	
Q...	5	50.03.0491	BC 546 B	NPN		R...	84	57.11.3332	3.3 kOhm	1% 0.25W MF		XIC...	13	53.03.0166	16 Pole	IC socket	
Q...	6	50.03.0749	BD 679	Darl. NPN (see note 1) Ph,SGS		R...	85	57.11.3333	33 kOhm	1% 0.25W MF		XIC...	14	53.03.0166	16 Pole	IC socket	
Q...	7	50.03.0799	BD 680	Darl. PNP (see note 1) Ph,SGS		R...	86	57.11.3333	33 kOhm	1% 0.25W MF		XIC...	15	53.03.0166	16 Pole	IC socket	
Q...	8	50.03.0351	BC 327-25	PNP		R...	87	57.11.3474	470 kOhm	1% 0.25W MF		XIC...	16	53.03.0166	16 Pole	IC socket	
Q...	9	50.03.0491	BC 546 B	NPN		R...	88	57.11.3223	22 kOhm	1% 0.25W MF		XIC...	17	53.03.0166	16 Pole	IC socket	
Q...	10	50.03.0749	BD 679	Darl. NPN (see note 1) Ph,SGS		R...	89	57.11.3223	22 kOhm	1% 0.25W MF		XIC...	18	53.03.0166	16 Pole	IC socket	
Q...	11	50.03.0799	BD 680	Darl. PNP (see note 1) Ph,SGS		R...	90	57.11.3222	2.2 kOhm	1% 0.25W MF		XIC...	19	53.03.0166	16 Pole	IC socket	
Q...	12	50.03.0351	BC 327-25	PNP		R...	91	57.11.3104	100 kOhm	1% 0.25W MF		XIC...	20	53.03.0166	14 Pole	IC socket	
Q...	13	50.03.0491	BC 546 B	NPN		R...	92	57.11.3122	1.2 kOhm	1% 0.25W MF		XIC...	21	53.03.0167	14 Pole	IC socket	
Q...	14	50.03.0749	BD 679	Darl. NPN (see note 1) Ph,SGS		R...	93	57.11.3222	2.2 kOhm	1% 0.25W MF		XIC...	22	53.03.0166	8 Pole	IC socket	
Q...	15	50.03.0799	BD 680														

CAPSTAN MOTOR CONTROL HS 1.727.335.21

① P2 / 0 V - Anschluss der 50 V - Leitung an der Print - Lötseite aufgetrennt
 Drahtverbindung $\phi 0,6$ 64.01.0106 mit PTFE - Schlauch 65.99.0111
 auf Beschütungsseite eingelötet.

ONLY FOR INDEX .21



IND.	POS.NO.	PART NO.	VALUE	SPECIFICATIONS / EQUIVALENT	MANUF.	IND.	POS.NO.	PART NO.	VALUE	SPECIFICATIONS / EQUIVALENT	MANUF.
C...	1	59.06.0102	1 nF	10X 63 V PETF		C...	42	59.06.0332	3.3 nF	10X 63 V PETF	
C...	2	59.06.0223	22 nF	10X 63 V PETF		C...	43	59.06.0103	10 nF	10X 63 V PETF	
C...	3	59.06.0473	47 nF	10X 63 V PETF		C...	44	59.06.0332	3.3 nF	10X 63 V PETF	
C...	4	59.22.6100	10 nF	-20X 35 V EL		C...	45	59.06.0222	2.2 nF	10X 63 V PETF	
C...	5	59.22.0229	2.2 nF	-20X 50 V EL		C...	46	59.06.5682	6.8 nF	5X 63 V PETF	
C...	6	59.06.0223	22 nF	10X 63 V PETF		C...	47	59.05.1223	22 nF	1X 63 V PP	
C...	7	59.06.0683	68 nF	10X 63 V PETF		C...	48	59.34.4331	330 nF	5X 63 V CER	
C...	8	59.06.0222	2.2 nF	10X 63 V PETF		C...	49	59.26.5229	2.2 nF	20X 25 V SAL	Ph
C...	9	59.06.0103	10 nF	10X 63 V PETF		C...	50	59.26.0680	68 nF	20X 6.3 V SAL	Ph
C...	10	59.22.5220	22 nF	-20X 25 V EL		C...	51	59.22.6100	10 nF	-20X 35 V EL	Ph
C...	11	59.06.0222	2.2 nF	10X 63 V PETF		C...	52	59.22.6100	10 nF	-20X 35 V EL	
C...	12	59.06.0222	2.2 nF	10X 63 V PETF		C...	53	59.06.0683	68 nF	10X 63 V PETF	
C...	13	59.06.0222	2.2 nF	10X 63 V PETF		C...	54	59.34.5561	560 nF	5X 63 V CER	
C...	14	59.06.0683	68 nF	10X 63 V PETF		C...	55	59.06.0222	2.2 nF	10X 63 V PETF	
C...	15	59.06.0224	220 nF	10X 63 V PETF		C...	56	59.06.0222	2.2 nF	10X 63 V PETF	
C...	16	59.34.5561	560 nF	5X 63 V CER		C...	57	59.06.0683	68 nF	10X 63 V PETF	
C...	17	59.34.4151	150 nF	5X 63 V CER		C...	58	59.06.0683	68 nF	10X 63 V PETF	
C...	18	59.34.4101	100 nF	5X 63 V CER		C...	59	59.34.5561	560 nF	5X 63 V CER	
C...	19	59.06.0102	1 nF	10X 63 V PETF		C...	60	59.06.0222	2.2 nF	10X 63 V PETF	
C...	20	59.06.0103	10 nF	10X 63 V PETF		C...	61	59.22.8221	220 nF	-20X 63 V EL	
C...	21	59.12.7182	1.8 nF	1X 63 V PS -150 +-60ppm/K		D...	1	50.04.0125	1N4448	50 V	
C...	22	59.22.8109	1 nF	-20X 50 V EL		D...	2	50.04.0125	1N4448	50 V	
C...	23	59.22.6100	10 nF	-20X 35 V EL		D...	3	50.04.1101	3.9 V	5X 0.4 W	
C...	24	59.22.6100	10 nF	-20X 35 V EL		D...	4	50.04.1112	5.1 V	5X 0.4 W	
C...	25	59.22.5101	100 nF	-20X 25 V EL		D...	5	50.04.0125	1N4448	50 V	
C...	26	59.06.0102	1 nF	10X 63 V PETF		D...	6	50.04.0512	1N5818	30 V 1N5819 Schottky	
C...	27	59.06.0683	68 nF	10X 63 V PETF		D...	7	50.04.1112	5.1 V	5X 0.4 W	
C...	28	59.06.0683	68 nF	10X 63 V PETF		D...	8	50.04.0134	1N3595 BHD	150 V I rev <1 nA @ 125 V	Fe
C...	29	59.06.0683	68 nF	10X 63 V PETF		D...	9	50.04.0125	1N4448	50 V	
C...	30	59.22.5101	100 nF	-20X 25 V EL		D...	10	50.04.0125	1N4448	50 V	
C...	31	59.22.5101	100 nF	-20X 25 V EL		D...	11	50.04.0127	BAS 40-02	30 V BAT 85, BAT 42 Schottky	Sie,Ph
C...	32	59.22.3221	220 nF	-20X 10 V EL		D...	12	50.04.0125	1N4448	50 V	
C...	33	59.06.5682	6.8 nF	5X 63 V PETF		D...	13	50.04.0125	1N4448	50 V	
C...	34	59.06.0222	2.2 nF	10X 63 V PETF		D...	14	50.04.0125	1N4448	50 V	
C...	35	59.05.1223	22 nF	1X 63 V PP		D...	15	50.04.0125	1N4448	50 V	
C...	36	59.06.0332	3.3 nF	10X 63 V PETF		D...	16	50.04.0125	1N4448	50 V	
C...	37	59.06.5103	10 nF	5X 63 V CER		D...	17	50.04.0508	1N4935	200 V 1N4936 RG10	Mot,GI
C...	38	59.34.4181	180 nF	5X 63 V CER		D...	18	50.04.0508	1N4935	200 V 1N4936 RG10	Mot,GI
C...	40	59.34.4181	180 nF	5X 63 V CER		IC...	1	50.11.0137	TBA 129	FM-ZF-Amp./Discriminator	Ph

STUDER A807 MKII

CAPSTAN MOTOR CONTROL HS 1.727.335.21

IND.	POS. NO.	PART NO.	VALUE	SPECIFICATIONS / EQUIVALENT	MANUF.	IND.	POS. NO.	PART NO.	VALUE	SPECIFICATIONS / EQUIVALENT	MANUF.	IND.	POS. NO.	PART NO.	VALUE	SPECIFICATIONS / EQUIVALENT	MANUF.	
IC...	2	50.09.0107	RC 4559	uPC 4559 Dual Op.Amp.	RS,NEC	R...	22	57.11.3103	10 kOhm	1%, 0.25W, MF		R...	141	57.11.3472	4.7 kOhm	1%, 0.25W, MF		
IC...	3	50.09.0101	LF 353 N	TL 072 CP Dual Op.Amp. Bi-JFET	RS,TI	R...	23	57.11.3102	1 kOhm	1%, 0.25W, MF		R...	142	57.11.3102	1 kOhm	1%, 0.25W, MF		
IC...	4	50.05.0283	LM 393 N	LM 393 P Dual Comp.	RS,TI	R...	24	57.11.3105	1 MOhm	1%, 0.25W, MF		R...	143	57.11.3332	3.3 kOhm	1%, 0.25W, MF		
IC...	5	50.05.0283	LM 393 N	LM 393 P Dual Comp.	RS,TI	R...	25	57.11.3103	10 kOhm	1%, 0.25W, MF		(00)	R...	145	57.56.5108	0.1 Ohm	10%, 4.0 W, Wire	
IC...	6	50.05.0158	NE 555 N	LM 555 CN	Sig,RS	R...	26	57.11.3103	10 kOhm	1%, 0.25W, MF		(01)	R...	145	57.56.5478	0.47 Ohm	10%, 4.0 W, Wire	
IC...	7	50.05.0283	LM 393 N	LM 393 P Dual Comp.	RS,TI	R...	27	57.11.3103	10 kOhm	1%, 0.25W, MF		(00)	R...	146	57.56.5108	0.1 Ohm	10%, 4.0 W, Wire	
IC...	8	50.17.1153	74 HC 153	Capstan motor conn. Ctl. 1.727.331.20	St	R...	28	57.11.3103	10 kOhm	1%, 0.25W, MF		(01)	R...	146	57.56.5478	0.47 Ohm	10%, 4.0 W, Wire	
IC...	9	50.05.0206	.4526..			R...	30	57.11.3393	39 kOhm	1%, 0.25W, MF		R...	147	57.11.3152	1.5 kOhm	1%, 0.25W, MF		
IC...	10	50.07.0526	.4526..			R...	31	57.11.3242	2.4 kOhm	1%, 0.25W, MF		R...	148	57.11.3562	5.6 kOhm	1%, 0.25W, MF		
IC...	11	50.07.0538	.4538..		Ph,Hot	R...	32	57.11.3332	3.3 kOhm	1%, 0.25W, MF		R...	149	57.11.3562	5.6 kOhm	1%, 0.25W, MF		
IC...	12	50.07.0018	.4094..			R...	33	57.11.3822	8.2 kOhm	1%, 0.25W, MF		R...	150	57.11.3152	1.5 kOhm	1%, 0.25W, MF		
IC...	13	50.07.0526	.4526..			R...	34	57.11.3152	1.5 kOhm	1%, 0.25W, MF		(00)	R...	154	57.11.3152	1.5 kOhm	1%, 0.25W, MF	
IC...	14	50.07.0024	.4052..			R...	35	57.11.3221	220 Ohm	1%, 0.25W, MF		R...	155	57.11.3120	12 Ohm	1%, 0.25W, MF		
IC...	15	50.09.0101	LF 353 N	TL 072 CP Dual Op.Amp. Bi-JFET	RS,TI	R...	36	57.11.3333	33 kOhm	1%, 0.25W, MF		(01)	R...	155	57.19.0330	33 Ohm	5%, 0.33W, / \ fusible resistor	
IC...	16	50.09.0107	RC 4559	uPC 4559 Dual Op.Amp.	RS,NEC	R...	37	57.11.3133	13 kOhm	1%, 0.25W, MF		(00)	R...	155	57.11.3120	12 Ohm	1%, 0.25W, MF	
IC...	17	50.09.0101	LF 353 N	TL 072 CP Dual Op.Amp. Bi-JFET	RS,TI	R...	38	58.01.8103	10 kOhm	10%, 0.5 W, CERMET, lin. Triampot.		(01)	R...	156	57.11.3120	12 Ohm	1%, 0.25W, MF	
IC...	18	50.07.0538	.4538..		Ph,Hot	R...	39	57.11.3103	10 kOhm	1%, 0.25W, MF		(00)	R...	157	57.19.0479	4.7 Ohm	5%, 0.33W, / \ fusible resistor	
IC...	19	50.07.0066	.4066..			R...	40	57.11.3103	10 kOhm	1%, 0.25W, MF		(01)	R...	157	57.19.0479	4.7 Ohm	5%, 0.33W, / \ fusible resistor	
IC...	20	50.09.0107	RC 4559	uPC 4559 Dual Op.Amp.	RS,NEC	R...	41	57.11.3103	10 kOhm	1%, 0.25W, MF		(00)	R...	158	57.11.3479	4.7 Ohm	5%, 0.33W, / \ fusible resistor	
IC...	21	50.17.1000	74 HC 00			R...	42	57.11.3103	10 kOhm	1%, 0.25W, MF		(01)	R...	158	57.19.0479	4.7 Ohm	5%, 0.33W, / \ fusible resistor	
IC...	22	50.05.0283	LM 393 N	LM 393 P Dual Comp.	RS,TI	R...	43	57.11.3682	6.8 kOhm	1%, 0.25W, MF		(00)	R...	158	57.11.3479	4.7 Ohm	5%, 0.33W, / \ fusible resistor	
J...	1	54.01.0293	14 Pole	CIS socket strip	AMP	R...	44	57.11.3332	3.3 kOhm	1%, 0.25W, MF		(01)	R...	158	57.19.0479	4.7 Ohm	5%, 0.33W, / \ fusible resistor	
J...	2	54.01.0241	4 Pole	CIS socket strip	AMP	R...	45	57.11.3472	4.7 kOhm	1%, 0.25W, MF		R...	159	57.11.3120	12 Ohm	1%, 0.25W, MF		
J...	3	54.01.0215	12 Pole	CIS socket strip	AMP	R...	46	57.11.3222	2.2 kOhm	1%, 0.25W, MF		R...	160	57.11.3120	12 Ohm	1%, 0.25W, MF		
J...	4	54.01.0241	4 Pole	CIS socket strip	AMP	R...	47	57.11.3104	100 kOhm	1%, 0.25W, MF		R...	161	57.11.3822	8.2 kOhm	1%, 0.25W, MF		
L...	1	1.022.222.00	16 uH	HF-Coil	St	R...	48	57.11.3153	15 kOhm	1%, 0.25W, MF		R...	162	57.11.3563	5.6 kOhm	1%, 0.25W, MF		
L...	2	1.022.223.00	16 uH	HF-Coil	St	R...	49	57.11.3153	15 kOhm	1%, 0.25W, MF		R...	163	57.11.3154	150 kOhm	1%, 0.25W, MF		
L...	3	1.022.251.00	196 uH	Filter Coil	St	R...	50	57.11.3562	5.6 kOhm	1%, 0.25W, MF		R...	166	57.11.3223	2.2 kOhm	1%, 0.25W, MF		
MP...	1	1.727.330.12	1 pcb	PC Board	St	R...	51	57.11.3562	5.6 kOhm	1%, 0.25W, MF		R...	167	57.11.5225	2.2 MOhm	5%, 0.25W, LF		
MP...	2	1.727.400.01	1 pcb	HeatSink	St	R...	52	57.11.3562	5.6 kOhm	1%, 0.25W, MF		RZ...	1	57.88.4103	8x10 kOhm	5%, Single Line		
MP...	3	21.99.0180	2 pcb	M3 x 5 Cross recessed oval head screw		R...	53	57.11.3562	5.6 kOhm	1%, 0.25W, MF		TP...	1	54.02.0320	1 Pole	Tab		
MP...	4	21.53.0355	2 pcb	M3 x 8 Hexagon socket head cap screw		R...	54	57.11.3221	220 Ohm	1%, 0.25W, MF		TP...	2	54.02.0320	1 Pole	Tab		
MP...	5	24.15.2036	2 pcb	Hexat lock washer D3.2/4.0		R...	55	57.11.3104	100 kOhm	1%, 0.25W, MF		TP...	3	54.02.0320	1 Pole	Tab		
MP...	6	37.01.0101	4 pcb	Diac spring D3.2/8.0 x 0.3		R...	56	57.11.3331	330 Ohm	1%, 0.25W, MF								

S T U D E R (02) 90/11/07 GP CAPSTAN MOTOR CONTROL HS PL 1.727.335.21 PAGE 3

S T U D E R (02) 90/11/07 GP CAPSTAN MOTOR CONTROL HS PL 1.727.335.21 PAGE 6

S T U D E R (02) 90/11/07 GP CAPSTAN MOTOR CONTROL HS PL 1.727.335.21 PAGE 9

IND.	POS. NO.	PART NO.	VALUE	SPECIFICATIONS / EQUIVALENT	MANUF.
MP...	7	50.20.0404	2 pcb	Insulating pass through D6.0/3.5	
MP...	8	1.010.098.27	2 pcb	Distance socket D3.1/7.0 x 2.3	St
MP...	9	50.20.0205	2 pcb	Greased insulation for TO 220	
MP...	10	1.727.335.10	1 pcb	No. label	St
MP...	11	1.727.331.01	1 pcb	No. label 5 x 17	St
MP...	12	43.01.0108	1 pcb	ESD label	
MP...	13	1.101.001.20	1 pcb	Hardware label -20	St
P...	1	54.02.0320	1 Pole	Tab	
P...	2	54.02.0320	1 Pole	Tab	
P...	3	54.02.0320	1 Pole	Tab	
P...	4	54.02.0320	1 Pole	Tab	
P...	5	54.02.0320	1 Pole	Tab	
(00)	Q...	50.03.0514	BF 366	NPN	Hot
(02)	Q...	50.03.0577	BF 496	NPN	Hot
Q...	1	50.03.0340	BC 327-25	PNP	
Q...	2	50.03.0351	BC 327-25	PNP	
Q...	3	50.03.0351	BC 327-25	PNP	
Q...	4	50.03.0351	BC 327-25	PNP	
Q...	5	50.03.0491	BC 546 B	NPN	
Q...	6	50.03.0749	BD 679	Darl.	
Q...	7	50.03.0799	BD 680	NPN (see note 1) Ph,SGS	
Q...	8	50.03.0799	BD 680	NPN (see note 1) Ph,SGS	
Q...	9	50.03.0351	BC 327-25	PNP	
Q...	10	50.03.0491	BD 679	Darl.	
Q...	11	50.03.0799	BD 680	NPN (see note 1) Ph,SGS	
Q...	12	50.03.0351	BC 327-25	PNP	
Q...	13	50.03.0491	BD 679	Darl.	
Q...	14	50.03.0749	BD 679	NPN (see note 1) Ph,SGS	
Q...	15	50.03.0799	BD 680	NPN (see note 1) Ph,SGS	
Q...	16	50.03.0436	BC 237 B	NPN	
Q...	17	50.03.0436	BC 237 B	NPN	
Q...	18	50.03.0340	BC 327-25	PNP	
Q...	19	50.03.0340	BC 327-25	PNP	
Q...	20	50.03.0340	BC 327-25	PNP	
Q...	21	50.03.0340	BC 327-25	PNP	
Q...	22	50.03.0351	BC 327-25	PNP	

S T U D E R (02) 90/11/07 GP CAPSTAN MOTOR CONTROL HS PL 1.727.335.21 PAGE 4

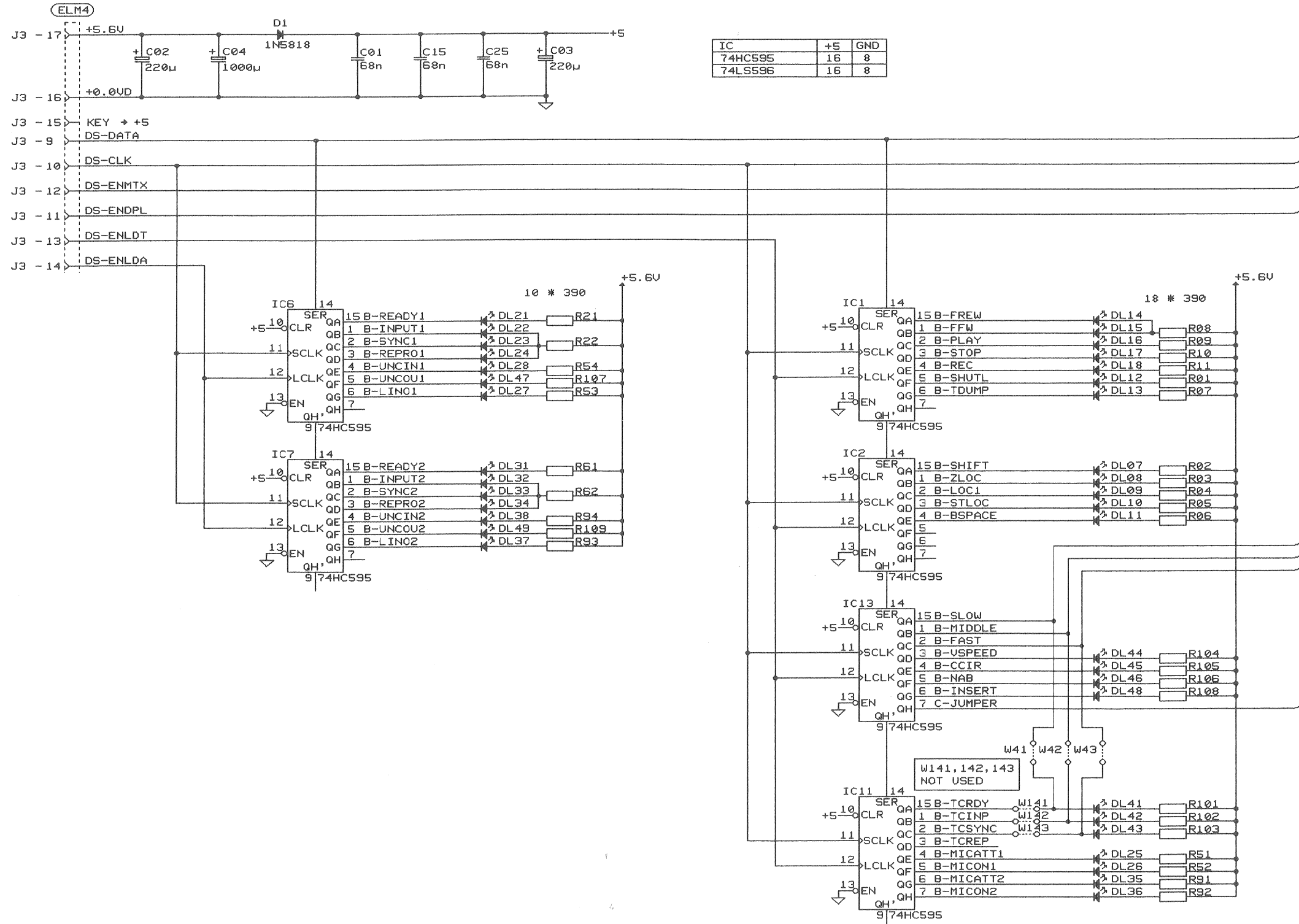
S T U D E R (02) 90/11/07 GP CAPSTAN MOTOR CONTROL HS PL 1.727.335.21 PAGE 7

S T U D E R (02) 90/11/07 GP CAPSTAN MOTOR CONTROL HS PL 1.727.335.21 PAGE 10

IND.	POS. NO.	PART NO.	VALUE	SPECIFICATIONS / EQUIVALENT	MANUF.
D...	23	50.03.0340	BC 327-25	PNP	
D...	24	50.03.0515	BC 307 B	NPN	
D...	25	50.03.0626	BC 640	PNP	
D...	26	50.03.0551	BC 639	NPN	
D...	27	50.03.0491	BD 679	NPN	
D...	28	50.03.0491	BD 679	NPN	
D...	29	50.03.0626	BC 640	PNP	
D...	30	50.03.0551	BC 639 B	NPN	
D...	31	50.03.0491	BD 679	NPN	
D...	32	50.03.1502	IRF 522	MTP 8N10 Power FET N-Channel	IR,Hot
D...	33	50.03.1552	IRF 9532	MTP 8F10 Power FET P-Channel	IR,Hot
D...	34	50.03.0315	BC 307 B	NPN	
D...	35	50.03.0436	BC 237 B	NPN	
D...	36	50.03.0329	MP 146	p-ch FET	
D...	37	50.03.0436	BC 237 B	NPN	
R...	1	57.11.3681	680 Ohm	1%, 0.25W, MF	
R...	2	57.11.3102	1 kOhm	1%, 0.25W, MF	
R...	3	57.11.3472	4.7 kOhm	1%, 0.25W, MF	
R...	4	57.11.3472	4.7 kOhm	1%, 0.25W, MF	
R...	5	57.11.3472	4.7 kOhm	1%, 0.25W, MF	
R...	6	57.11.3101	100 Ohm	1%, 0.25W, MF	
R...	7	57.11.3121	120 Ohm	1%, 0.25W, MF	
R...	8	57.11.3121	120 Ohm	1%, 0.25W, MF	
R...	9	57.11.3103	10 kOhm	1%, 0.25W, MF	
R...	10	57.11.3103	10 kOhm	1%, 0.25W, MF	
R...	11	57.11.3102	1 kOhm	1%, 0.25W, MF	
R...	12	57.11.3223	2.2 kOhm	1%, 0.25W, MF	
R...	13	57.11.3103	10 kOhm	1%, 0.25W, MF	
R...	14	57.11.3103	10 kOhm	1%, 0.25W, MF	
R...	15	57.11.3103	10 kOhm	1%, 0.25W, MF	
R...	16	57.11.3562	5.6 kOhm	1%, 0.25W, MF	
R...	17	57.11.3682	6.8 kOhm	1%, 0.25W, MF	
R...	18	57.11.3822	8.2 kOhm	1%, 0.25W, MF	
R...	19	57.11.3822	8.2 kOhm	1%, 0.25W, MF	
R...	20	58.01.8103	10 kOhm	10%, 0.5 W, CERMET, lin. Triampot.	
R...	21	57.11.3273	27 kOhm	1%, 0.25W, MF	

S T U D E R (02) 90/11/07 GP CAPSTAN MOTOR CONTROL HS PL

COMMAND PANEL BOARD 2VU (2CH) 1.727.662.00

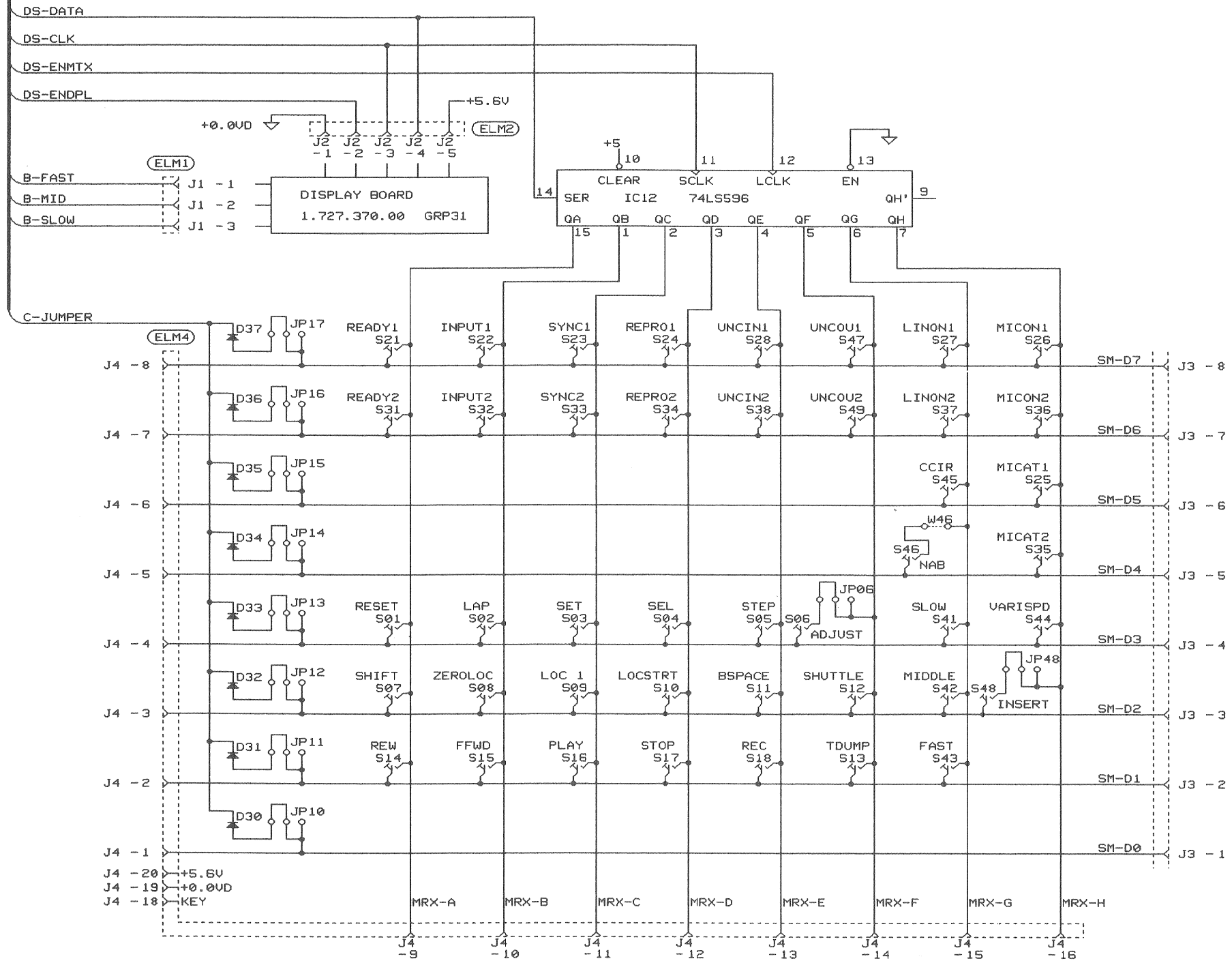


PAGE 2

29.01.90 GP	05.03.90 GP	13.11.90 DS	
A 807 UU GRP 30			PAGE 1 OF 3
STUDER		COMMAND PANEL BOARD 2VU	SCH 1.727.662-00

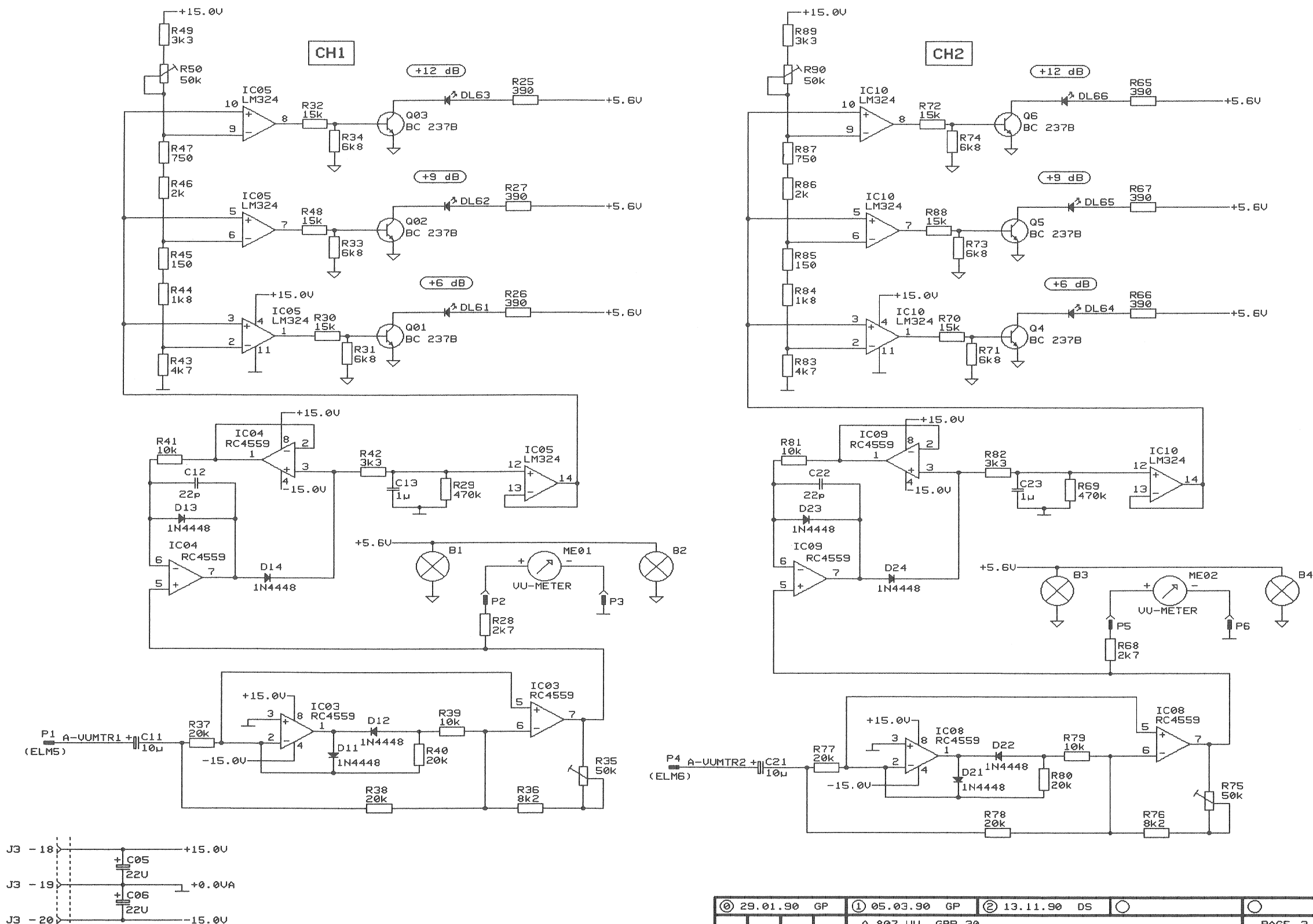
COMMAND PANEL BOARD 2VU (2CH) 1.727.662.00

PAGE 1



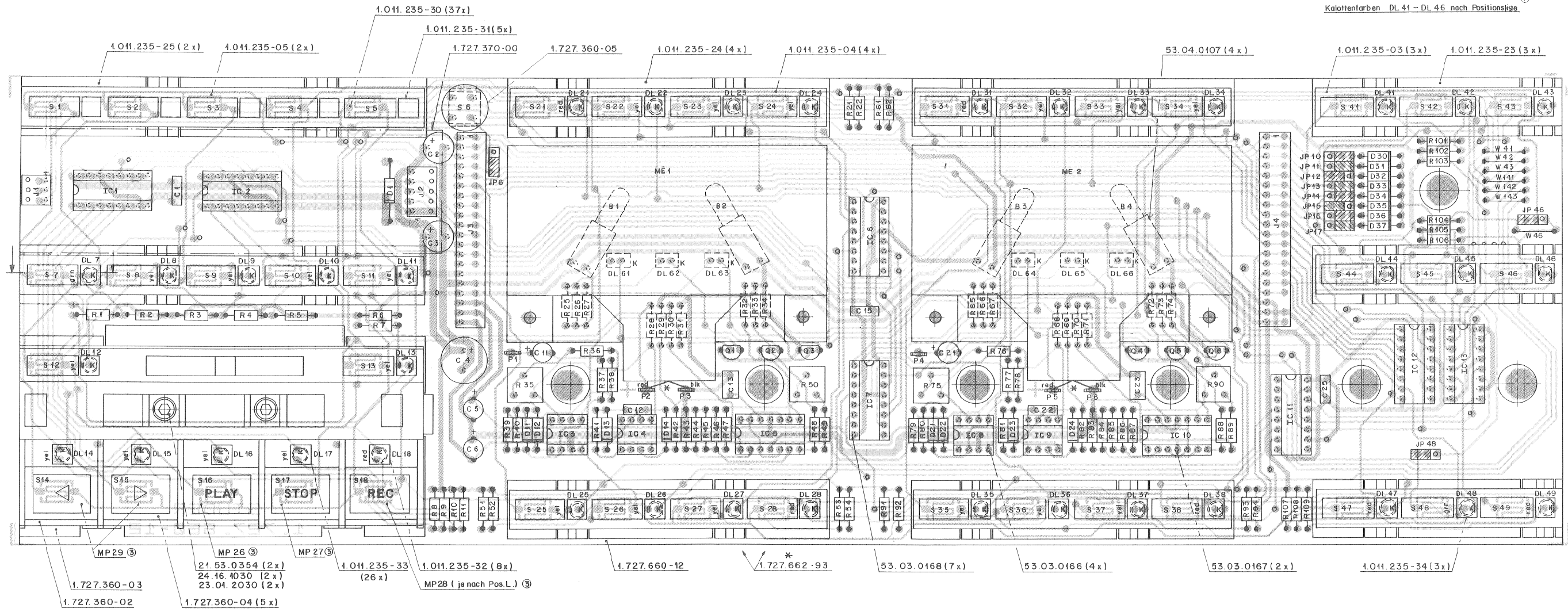
① 29.01.90 GP	② 05.03.90 DS	③ 13.11.90 DS	○
A 807 UU GRP 30			PAGE 2 OF 3
STUDER		COMMAND PANEL BOARD 2VU	SCH 1.727.662-00

COMMAND PANEL BOARD 2VU (2CH) 1.727.662.00

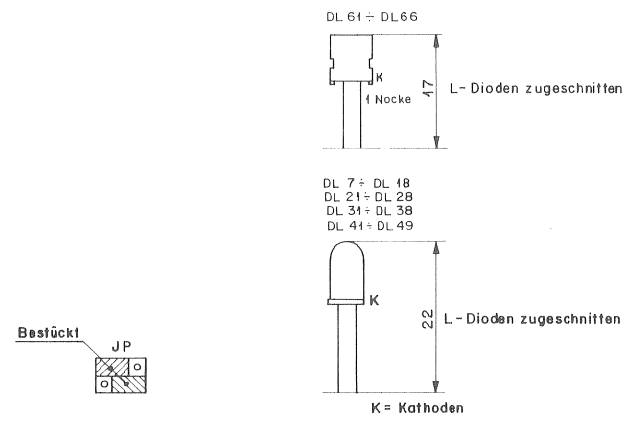
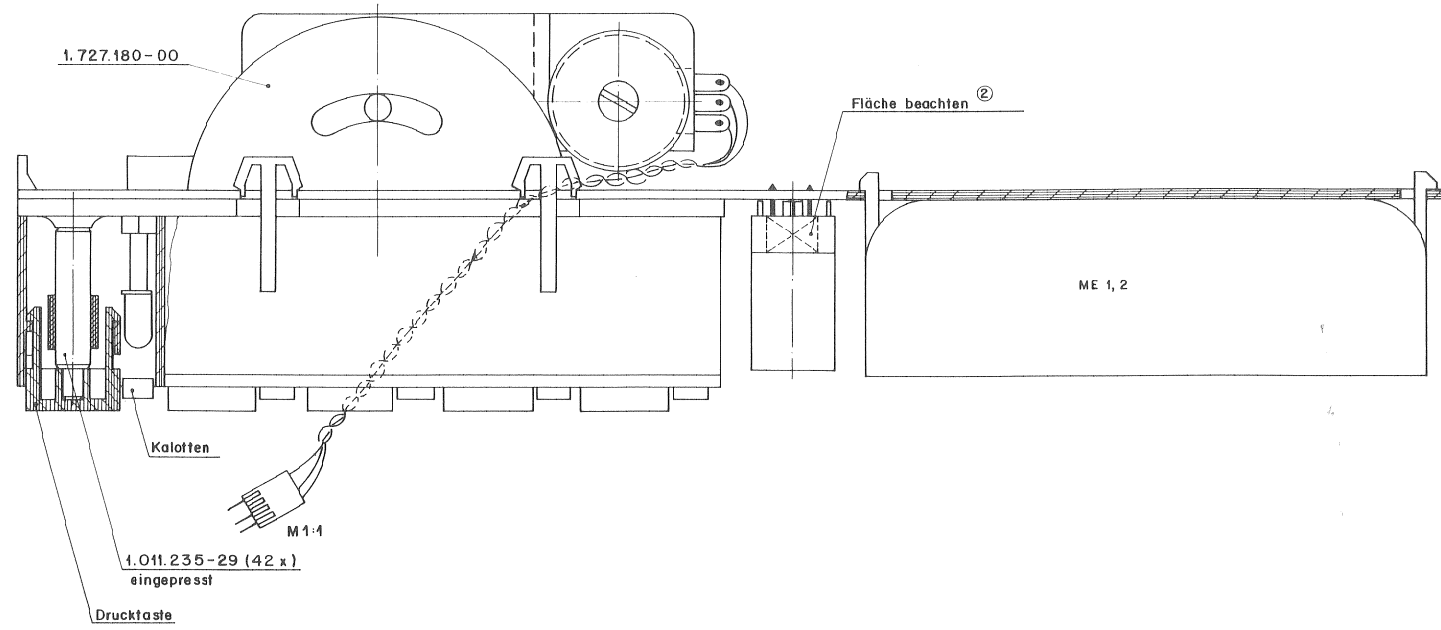


29.01.90 GP	05.03.90 GP	13.11.90 DS	
A 807 UU GRP 30			
STUDER		COMMAND PANEL BOARD 2VU	SCH 1.727.662-00

COMMAND PANEL BOARD 2VU (2CH) 1.727.662.00



Kalottenfarben DL 41 - DL 46 nach Positionsgige



VALID FOR	NR. UNIT + NR. POS. LIST
COMMAND PANEL BOARD 0VU	1.727.660-00
COMMAND PANEL BOARD 1VU	1.727.661-00
COMMAND PANEL BOARD 2VU	1.727.662-00
COMMAND PANEL BOARD 2/2	1.727.663-00
COMMAND PANEL BOARD 2VU N.W.	1.727.664-00
COMMAND PANEL BOARD 1VU N.W.	1.727.665-00
COMMAND PANEL BOARD UNC PBO	1.727.667-00
COMMAND PAN. BOARD UNC MONO PBO	1.727.668-00
COMMAND PANEL BOARD 0VU TC	1.727.760-00
COMMAND PANEL BOARD 2VU TC	1.727.762-00
COMMAND PANEL BOARD 2/2 TC	1.727.763-00
COMMAND PANEL BOARD (4CH) TC	1.727.766-00

COMMAND PANEL BOARD 2VU (2CH) 1.727.662.00

IND.	POS.NO.	PART NO.	VALUE	SPECIFICATIONS / EQUIVALENT	MANUF.	IND.	POS.NO.	PART NO.	VALUE	SPECIFICATIONS / EQUIVALENT	MANUF.
A....1	1.727.370.00			Display Board		JP...16	54.01.0021			Bridge	
A....2	1.727.180.00			Shuttle Control		JP...17	54.01.0021			Bridge	
B....1	51.02.0144	6 V	0.03 A	Lamp		JP...46				not used	
B....2	51.02.0144	6 V	0.03 A	Lamp		JP...48	54.01.0021			Bridge	
B....3	51.02.0144	6 V	0.03 A	Lamp							
B....4	51.02.0144	6 V	0.03 A	Lamp		ME...1	1.727.360.01			VU Meter	
						ME...2	1.727.360.01			VU Meter	
C....1	59.06.0683	68 nF	10% 50 V	PETP		MP...1	54.01.0020	30 pcs		Contact Pin	
C....2	59.22.3221	220 uF	-20% 10 V	EL		MP...2	1.011.235.03	3 pcs		Push button case 3*	
C....3	59.22.3221	220 uF	-20% 10 V	EL		MP...3	1.011.235.04	4 pcs		Push button case 4*	
C....4	59.22.3102	1000 uF	-20% 10 V	EL		MP...4	1.011.235.05	2 pcs		Push button case 5*	
C....5	59.22.5220	22 uF	-20% 25 V	EL		MP...5	1.011.235.23	3 pcs		Conductive rubber 3*	
C....6	59.22.5220	22 uF	-20% 25 V	EL		MP...6	1.011.235.24	4 pcs		Conductive rubber 4*	
C....11	59.22.6100	10 uF	-20% 25 V	EL		MP...7	1.011.235.25	2 pcs		Conductive rubber 5*	
C....12	59.04.2226	22 uF	10% 50 V	CER		MP...8	1.011.235.29	42 pcs		Bolt	
C....13	59.06.0105	1 uF	10% 50 V	PETP		MP...9	1.011.235.30	37 pcs		Push button 14x5	
C....15	59.06.0683	68 nF	10% 50 V	PETP		MP...10	1.011.235.31	5 pcs		Dummy calotte	
C....21	59.22.6100	10 uF	-20% 25 V	EL		MP...11	1.011.235.32	8 pcs		Calotte red	
C....22	59.34.2226	22 uF	10% 50 V	CER		MP...12	1.011.235.33	26 pcs		Calotte yel	
C....23	59.06.0105	1 uF	10% 50 V	PETP		MP...13	1.011.235.34	3 pcs		Calotte blk	
C....25	59.06.0683	68 nF	10% 50 V	PETP		MP...14	1.727.360.02	1 pcs		Push button case with Shuttle	
D....1	50.04.0512	1N5818	30 V	Schottky		MP...15	1.727.360.03	1 pcs		Conductive rubber with Shuttle	
D....11	50.04.0125	1N4448	50 V	SI		MP...16	1.727.360.04	5 pcs		Push button 19x14	
D....12	50.04.0125	1N4448	50 V	SI		MP...17	1.727.360.05	1 pcs		Push button Adj.	
D....13	50.04.0125	1N4448	50 V	SI		MP...18	1.727.662.10	1 pcs		No. Label	
D....14	50.04.0125	1N4448	50 V	SI		MP...19	1.727.660.12	1 pcs		Command Panel PCB	
D....21	50.04.0125	1N4448	50 V	SI		MP...21	1.727.362.93	43 pcs		2-pole LED Socket	
D....22	50.04.0125	1N4448	50 V	SI		MP...22	21.53.0354	2 pcs		Hexagon socket head cap screw M3x6	
D....23	50.04.0125	1N4448	50 V	SI		MP...23	23.01.2032	2 pcs		Washer	
D....24	50.04.0125	1N4448	50 V	SI		MP...24	24.16.1030	2 pcs		Fin washer	
D....30	50.04.0125	1N4448	50 V	SI		MP...25	43.01.0108	1 pcs		ESE Warning label	
D....31	50.04.0125	1N4448	50 V	SI	(00)	MP...26	1.727.360.06	1 pcs		Push button labels (<>,PLAY,STOP,REC)	
D....32	50.04.0125	1N4448	50 V	SI	(02)	MP...27	1.727.360.07	1 pcs		Push button label , PLAY	
D....33	50.04.0125	1N4448	50 V	SI	(02)	MP...28	1.727.360.08	1 pcs		Push button label , STOP	
D....34	50.04.0125	1N4448	50 V	SI	(02)	MP...28	1.727.360.09	1 pcs		Push button label , RECORD	

S T U D E R (02) 90/10/25 GP COMMAND PANEL BOARD 2VU PL 1.727.662.00 PAGE 1 S T U D E R (02) 90/10/25 GP COMMAND PANEL BOARD 2VU PL 1.727.662.00 PAGE 4

IND.	POS.NO.	PART NO.	VALUE	SPECIFICATIONS / EQUIVALENT	MANUF.	IND.	POS.NO.	PART NO.	VALUE	SPECIFICATIONS / EQUIVALENT	MANUF.
D....35	50.04.0125	1N4448	50 V	SI		(02) MP...29	1.727.360.19	2 pcs		Push button labels, FORWARD,REWIND	
D....36	50.04.0125	1N4448	50 V	SI		P....1	54.02.0320			Plug 2.8x0.8	AMP
D....37	50.04.0125	1N4448	50 V	SI		P....2	54.02.0320			Plug 2.8x0.8	AMP
DL....7	50.04.2501	MV5452	LED grn D=5 mm	GI		P....3	54.02.0320			Plug 2.8x0.8	AMP
DL....8	50.04.2500	MV5352	LED yel D=5 mm	GI		P....4	54.02.0320			Plug 2.8x0.8	AMP
DL....9	50.04.2500	MV5352	LED yel D=5 mm	GI		P....5	54.02.0320			Plug 2.8x0.8	AMP
DL....10	50.04.2500	MV5352	LED yel D=5 mm	GI		P....6	54.02.0320			Plug 2.8x0.8	AMP
DL....11	50.04.2500	MV5352	LED yel D=5 mm	GI		Q....1	50.03.0436	BC237B	BC547B, BC550B	NFN	
DL....12	50.04.2500	MV5352	LED yel D=5 mm	GI		Q....2	50.03.0436	BC237B	BC547B, BC550B	NFN	
DL....13	50.04.2500	MV5352	LED yel D=5 mm	GI		Q....3	50.03.0436	BC237B	BC547B, BC550B	NFN	
DL....14	50.04.2500	MV5352	LED yel D=5 mm	GI		Q....4	50.03.0436	BC237B	BC547B, BC550B	NFN	
DL....15	50.04.2500	MV5352	LED yel D=5 mm	GI		Q....5	50.03.0436	BC237B	BC547B, BC550B	NFN	
DL....16	50.04.2500	MV5352	LED yel D=5 mm	GI		Q....6	50.03.0436	BC237B	BC547B, BC550B	NFN	
DL....17	50.04.2500	MV5352	LED yel D=5 mm	GI		R....1	57.11.3391	390 Ohm	1%, 0.25W, HF		
DL....18	50.04.2115	MV5752	LED red D=5 mm	GI		R....2	57.11.3391	390 Ohm	1%, 0.25W, HF		
DL....21	50.04.2115	MV5752	LED red D=5 mm	GI		R....3	57.11.3391	390 Ohm	1%, 0.25W, HF		
DL....22	50.04.2500	MV5352	LED yel D=5 mm	GI		R....4	57.11.3391	390 Ohm	1%, 0.25W, HF		
DL....23	50.04.2500	MV5352	LED yel D=5 mm	GI		R....5	57.11.3391	390 Ohm	1%, 0.25W, HF		
DL....24	50.04.2500	MV5352	LED yel D=5 mm	GI		R....6	57.11.3391	390 Ohm	1%, 0.25W, HF		
DL....25	50.04.2500	MV5352	LED yel D=5 mm	GI		R....7	57.11.3391	390 Ohm	1%, 0.25W, HF		
DL....26	50.04.2500	MV5352	LED yel D=5 mm	GI		R....8	57.11.3391	390 Ohm	1%, 0.25W, HF		
DL....27	50.04.2500	MV5352	LED yel D=5 mm	GI		R....9	57.11.3391	390 Ohm	1%, 0.25W, HF		
DL....28	50.04.2115	MV5752	LED red D=5 mm	GI		R....10	57.11.3391	390 Ohm	1%, 0.25W, HF		
DL....31	50.04.2115	MV5752	LED red D=5 mm	GI		R....11	57.11.3391	390 Ohm	1%, 0.25W, HF		
DL....32	50.04.2500	MV5352	LED yel D=5 mm	GI		R....12	57.11.3391	390 Ohm	1%, 0.25W, HF		
DL....33	50.04.2500	MV5352	LED yel D=5 mm	GI		R....13	57.11.3391	390 Ohm	1%, 0.25W, HF		
DL....34	50.04.2500	MV5352	LED yel D=5 mm	GI		R....14	57.11.3391	390 Ohm	1%, 0.25W, HF		
DL....35	50.04.2500	MV5352	LED yel D=5 mm	GI		R....15	57.11.3391	390 Ohm	1%, 0.25W, HF		
DL....36	50.04.2500	MV5352	LED yel D=5 mm	GI		R....16	57.11.3391	390 Ohm	1%, 0.25W, HF		
DL....37	50.04.2500	MV5352	LED yel D=5 mm	GI		R....17	57.11.3391	390 Ohm	1%, 0.25W, HF		
DL....38	50.04.2115	MV5752	LED red D=5 mm	GI		R....18	57.11.3391	390 Ohm	1%, 0.25W, HF		
DL....41	50.04.2500	MV5352	LED yel D=5 mm	GI		R....19	57.11.3202	2.7 kOhm	1%, 0.25W, HF		
DL....42	50.04.2501	MV5452	LED grn D=5 mm	GI		R....20	57.11.3474	470 kOhm	1%, 0.25W, HF		
DL....43	50.04.2500	MV5352	LED yel D=5 mm	GI		R....21	57.11.3153	15 kOhm	1%, 0.25W, HF		
DL....44	50.04.2115	MV5752	LED red D=5 mm	GI		R....22	57.11.3682	6.8 kOhm	1%, 0.25W, HF		
DL....45	50.04.2500	MV5352	LED yel D=5 mm	GI		R....23	57.11.3153	15 kOhm	1%, 0.25W, HF		

S T U D E R (02) 90/10/25 GP COMMAND PANEL BOARD 2VU PL 1.727.662.00 PAGE 2 S T U D E R (02) 90/10/25 GP COMMAND PANEL BOARD 2VU PL 1.727.662.00 PAGE 5

IND.	POS.NO.	PART NO.	VALUE	SPECIFICATIONS / EQUIVALENT	MANUF.	IND.	POS.NO.	PART NO.	VALUE	SPECIFICATIONS / EQUIVALENT	MANUF.
DL....46	50.04.2500	MV5352	LED yel D=5 mm	GI		R....33	57.11.3682	6.8 kOhm	1%, 0.25W, HF		
DL....47	50.04.2115	MV5752	LED red D=5 mm	GI		R....34	57.11.3682	6.8 kOhm	1%, 0.25W, HF		
DL....48	50.04.2501	MV5452	LED grn D=5 mm	GI	(00)	R....35	58.01.8203	20 kOhm	10%, 0.5 W, PCern		
DL....49	50.04.2115	MV5752	LED red D=5 mm	GI	(01)	R....36	58.01.8503	50 kOhm	10%, 0.5 W, PCern		
DL....61	50.04.2119	MV57124	LED red 6.35x3.81	GI	(00)	R....37	57.11.3203	20 kOhm	1%, 0.25W, HF		
DL....62	50.04.2119	MV57124	LED red 6.35x3.81	GI	(01)	R....38	57.11.3822	8.2 kOhm	1%, 0.25W, HF		
DL....63	50.04.2119	MV57124	LED red 6.35x3.81	GI		R....39	57.11.3203	20 kOhm	1%, 0.25W, HF		
DL....64	50.04.2119	MV57124	LED red 6.35x3.81	GI		R....40	57.11.3103	10 kOhm	1%, 0.25W, HF		
DL....65	50.04.2119	MV57124	LED red 6.35x3.81	GI		R....41	57.11.3103	10 kOhm	1%, 0.25W, HF		
DL....66	50.04.2119	MV57124	LED red 6.35x3.81	GI		R....42	57.11.3392	3.3 kOhm	1%, 0.25W, HF		
IC....1	50.17.1595	74HC595	8-Bit Shift Register	TI		R....43	57.11.3472	4.7 kOhm	1%, 0.25W, HF		
IC....2	50.17.1595	74HC595	8-Bit Shift Register	TI		R....44	57.11.3182	1.8 kOhm	1%, 0.25W, HF		
IC....3	50.09.0107	RC4559	Dual Op. Amp.	Ra		R....45	57.11.3151	150 Ohm	1%, 0.25W, HF		
IC....4	50.09.0107	RC4559	Dual Op. Amp.	Ra		R....46	57.11.3202	2 kOhm	1%, 0.25W, HF		
IC....5	50.05.0199	LM324	Quad Op. Amp.	NS/Hot		R....47	57.11.3751	750 Ohm	1%, 0.25W, HF		
IC....6	50.17.1595	74HC595	8-Bit Shift Register	TI		R....48	57.11.3153	15 kOhm	1%, 0.25W, HF		
IC....7	50.17.1595	74HC595	8-Bit Shift Register	TI		R....49	57.11.3392	3.3 kOhm	1%, 0.25W, HF		
IC....8	50.09.0107	RC4559	Dual Op. Amp.	Ra	(00)	R....50	58.01.8203	20 kOhm	10%, 0.5 W, PCern		
IC....9	50.09.0107	RC4559	Dual Op. Amp.	Ra	(01)	R....51	58.01.8503	50 kOhm	10%, 0.5 W, PCern		
IC....10	50.05.0199	LM324	Quad Op. Amp.	NS/Mot		R....52	57.11.3391	390 Ohm	1%, 0.25W, HF		
IC....11	50.17.1595	74HC595	8-Bit Shift Register	TI		R....53	57.11.3391	390 Ohm	1%, 0.25W, HF		
IC....12	50.06.0596	74LS96	8-Bit Shift Register O.C.	TI		R....54	57.11.3391	390 Ohm	1%, 0.25W, HF		
IC....13	50.17.1595	74HC595	8-Bit Shift Register	TI		R....55	5				

STUDER A807 MKII

COMMAND PANEL BOARD 2VU (2CH) 1.727.662.00

IND.	POS.NO.	PART NO.	VALUE	SPECIFICATIONS / EQUIVALENT	MANUF.
(00)	R...75	58.01.8203	20 kOhm	10%, 0.5 W, PCerm	
(01)	R...75	58.01.8503	50 kOhm	10%, 0.5 W, PCerm	
(00)	R...76	57.11.3203	20 kOhm	1%, 0.25W, MF	
(01)	R...76	57.11.3822	8.2 kOhm	1%, 0.25W, MF	
	R...77	57.11.3203	20 kOhm	1%, 0.25W, MF	
	R...78	57.11.3203	20 kOhm	1%, 0.25W, MF	
	R...79	57.11.3103	10 kOhm	1%, 0.25W, MF	
	R...80	57.11.3203	20 kOhm	1%, 0.25W, MF	
	R...81	57.11.3103	10 kOhm	1%, 0.25W, MF	
	R...82	57.11.3332	3.3 kOhm	1%, 0.25W, MF	
	R...83	57.11.3472	4.7 kOhm	1%, 0.25W, MF	
	R...84	57.11.3182	1.8 kOhm	1%, 0.25W, MF	
	R...85	57.11.3151	150 Ohm	1%, 0.25W, MF	
	R...86	57.11.3202	2 kOhm	1%, 0.25W, MF	
	R...87	57.11.3751	750 Ohm	1%, 0.25W, MF	
	R...88	57.11.3153	15 kOhm	1%, 0.25W, MF	
	R...89	57.11.3332	3.3 kOhm	1%, 0.25W, MF	
(00)	R...90	58.01.8203	20 kOhm	10%, 0.5 W, PCerm	
(01)	R...90	58.01.8503	50 kOhm	10%, 0.5 W, PCerm	
	R...91	57.11.3391	390 Ohm	1%, 0.25W, MF	
	R...92	57.11.3391	390 Ohm	1%, 0.25W, MF	
	R...93	57.11.3391	390 Ohm	1%, 0.25W, MF	
	R...94	57.11.3391	390 Ohm	1%, 0.25W, MF	
	R...101	57.11.3391	390 Ohm	1%, 0.25W, MF	
	R...102	57.11.3391	390 Ohm	1%, 0.25W, MF	
	R...103	57.11.3391	390 Ohm	1%, 0.25W, MF	
	R...104	57.11.3391	390 Ohm	1%, 0.25W, MF	
	R...105	57.11.3391	390 Ohm	1%, 0.25W, MF	
	R...106	57.11.3391	390 Ohm	1%, 0.25W, MF	
	R...107	57.11.3391	390 Ohm	1%, 0.25W, MF	
	R...108	57.11.3391	390 Ohm	1%, 0.25W, MF	
	R...109	57.11.3391	390 Ohm	1%, 0.25W, MF	
	S....6	55.15.0130		Push button Switch	ITT
	W...41	64.01.0106		Wire Bridge	
	W...42	64.01.0106		Wire Bridge	
S T U D E R (02) 90/10/25 GP COMMAND PANEL BOARD 2VU PL 1.727.662.00 PAGE 7					

IND.	POS.NO.	PART NO.	VALUE	SPECIFICATIONS / EQUIVALENT	MANUF.
	W...43	64.01.0106		Wire Bridge	
	W...46	64.01.0106		Wire Bridge	
	W...141			not used	
	W...142			not used	
	W...143			not used	
	XB...1	53.04.0107		Lamp holder	
	XB...2	53.04.0107		Lamp holder	
	XB...3	53.04.0107		Lamp holder	
	XB...4	53.04.0107		Lamp holder	
	XIC...1	53.03.0168	16-Pole	IC Socket	
	XIC...2	53.03.0168	16-Pole	IC Socket	
	XIC...3	53.03.0166	8-Pole	IC Socket	
	XIC...4	53.03.0166	8-Pole	IC Socket	
	XIC...5	53.03.0167	14-Pole	IC Socket	
	XIC...6	53.03.0168	16-Pole	IC Socket	
	XIC...7	53.03.0168	16-Pole	IC Socket	
	XIC...8	53.03.0166	8-Pole	IC Socket	
	XIC...9	53.03.0166	8-Pole	IC Socket	
	XIC...10	53.03.0167	14-Pole	IC Socket	
	XIC...11	53.03.0168	16-Pole	IC Socket	
	XIC...12	53.03.0168	16-Pole	IC Socket	
	XIC...13	53.03.0168	16-Pole	IC Socket	

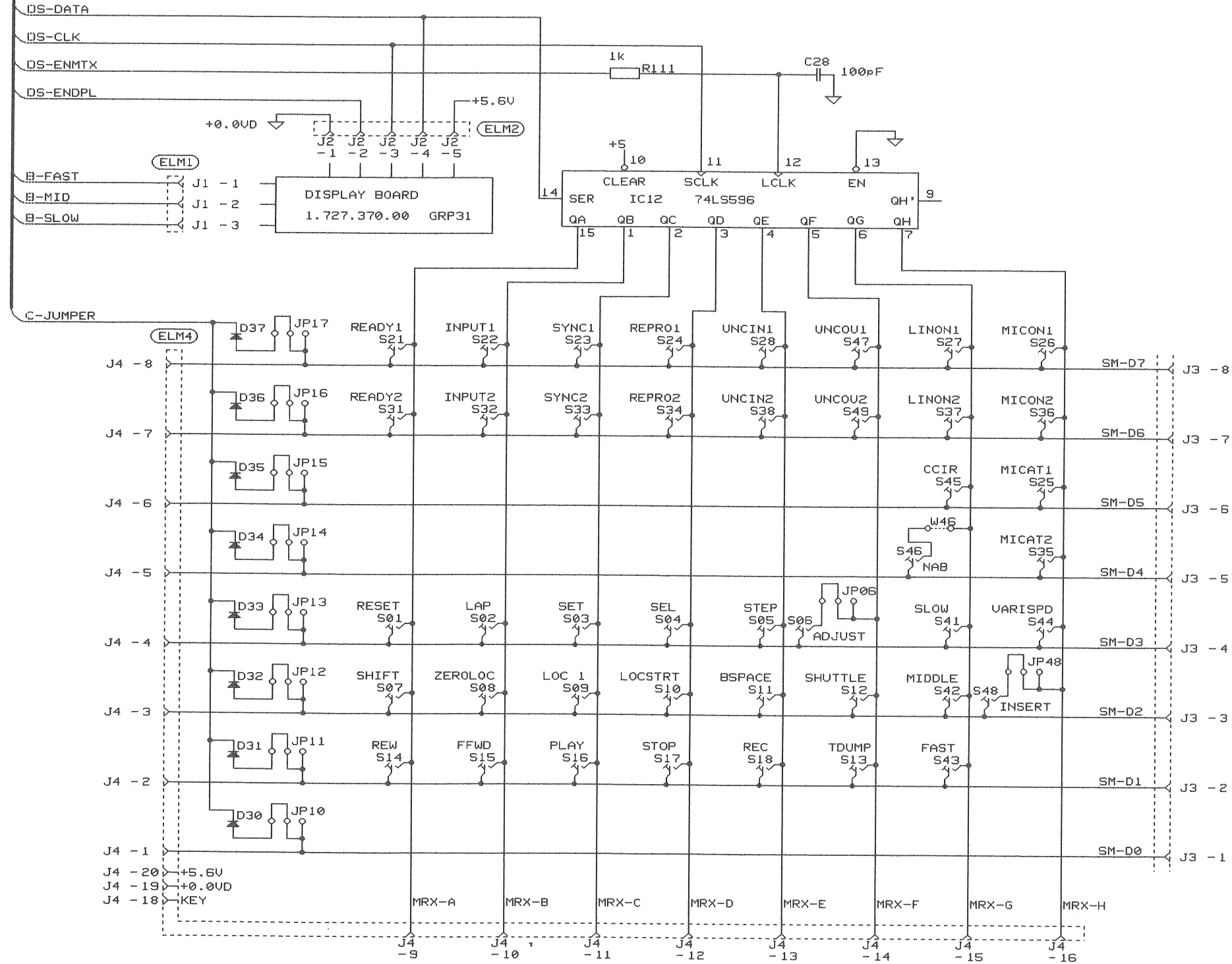
(01) 11.01.90 Extended adjustment range of VU-meter.
(02) 25.10.90 Change of material (From plastic to aluminium).

CER=Ceramic, EL=Electrolytic, PETP=Polyester, SI=Silicon,
MF=Metal Film, PCerm=Pot. Cermet,
MANUFACTURER: AMP, GI=General Instrument, ITT, Mot=Motorola,
NS=National Semiconductor, Ph=Philips, Ra=Raytheon,
TI=Texas Instruments

ORIG 89/03/16 (01) 90/01/11 (02) 90/10/25
S T U D E R (02) 90/10/25 GP COMMAND PANEL BOARD 2VU PL 1.727.662.00 PAGE 8

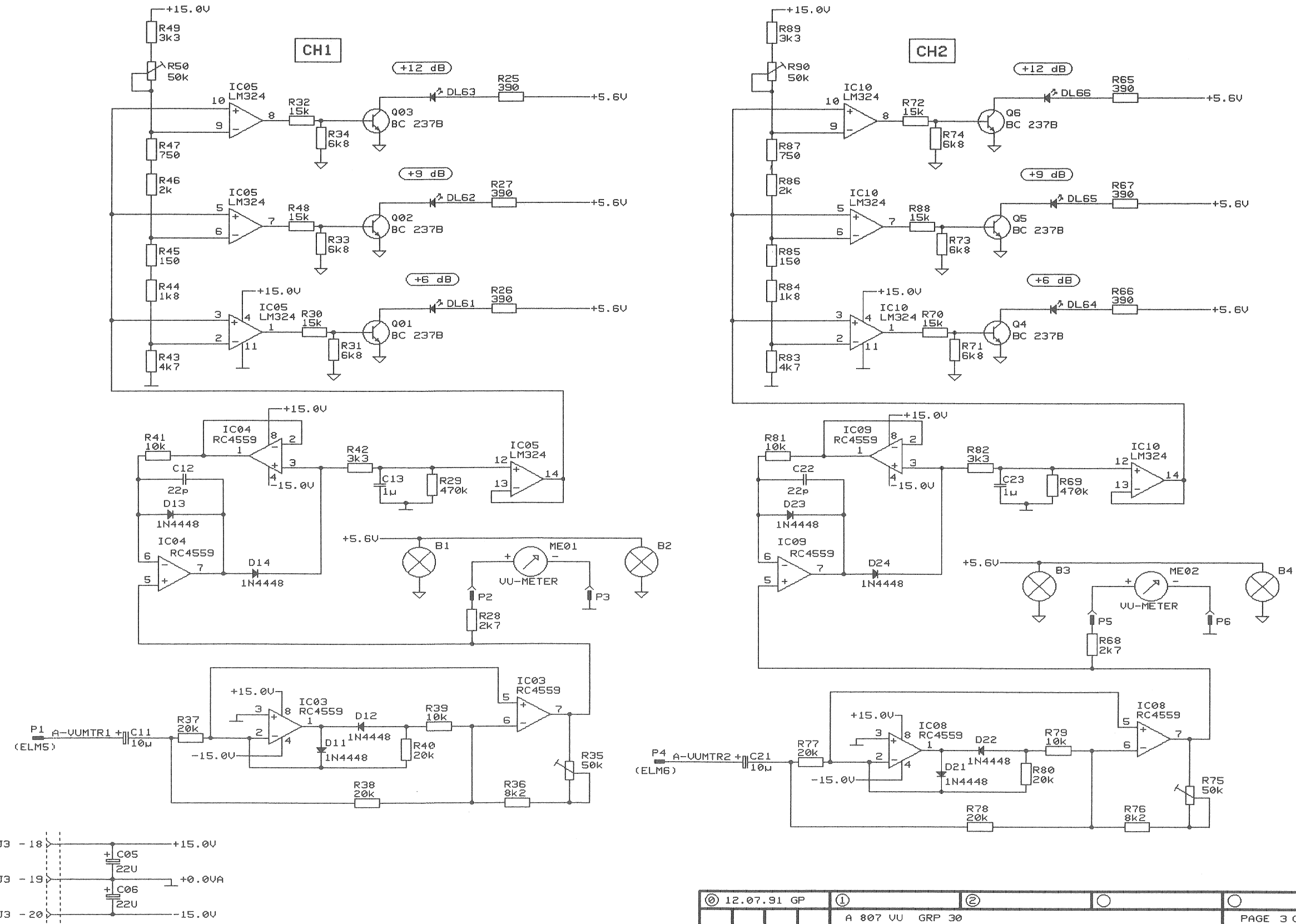
COMMAND PANEL BOARD 2VU (2CH) 1.727.662.82

PAGE 1



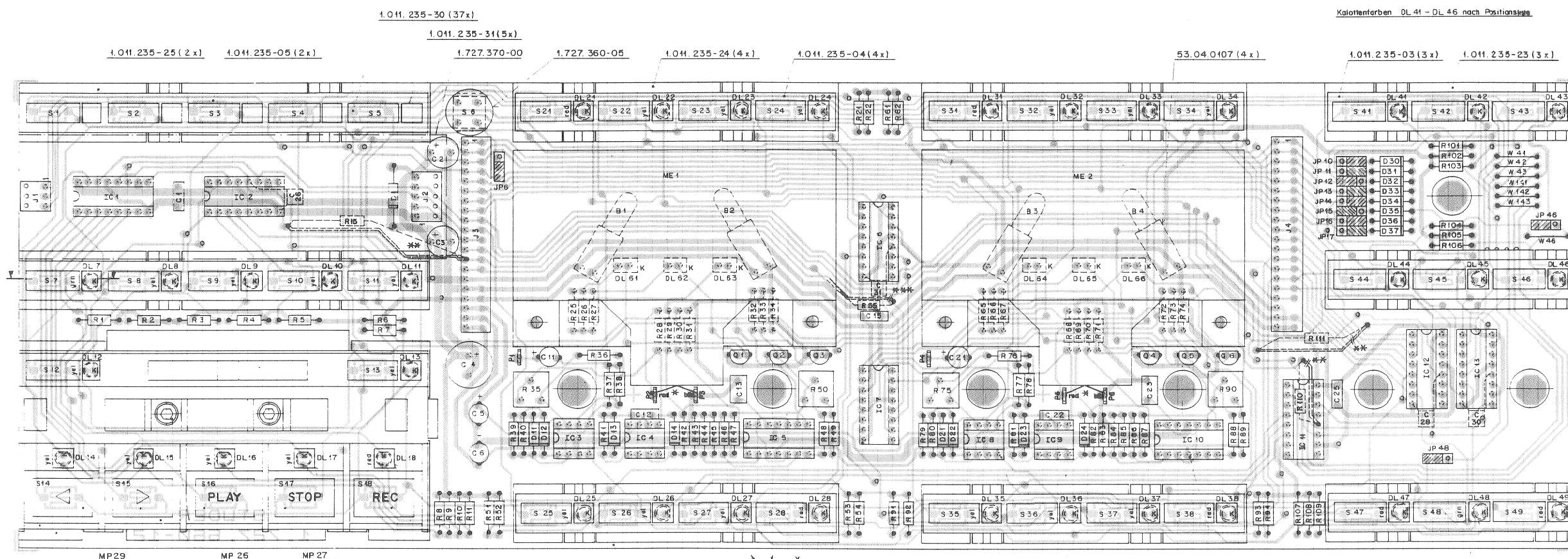
© 12.07.91 GP	①	②	○	○
	A 807 UU GRP 30			PAGE 2 OF 3
STUDER	COMMAND PANEL BOARD 2VU		SCH	1.727.662-82

COMMAND PANEL BOARD 2VU (2CH) 1.727.662.82



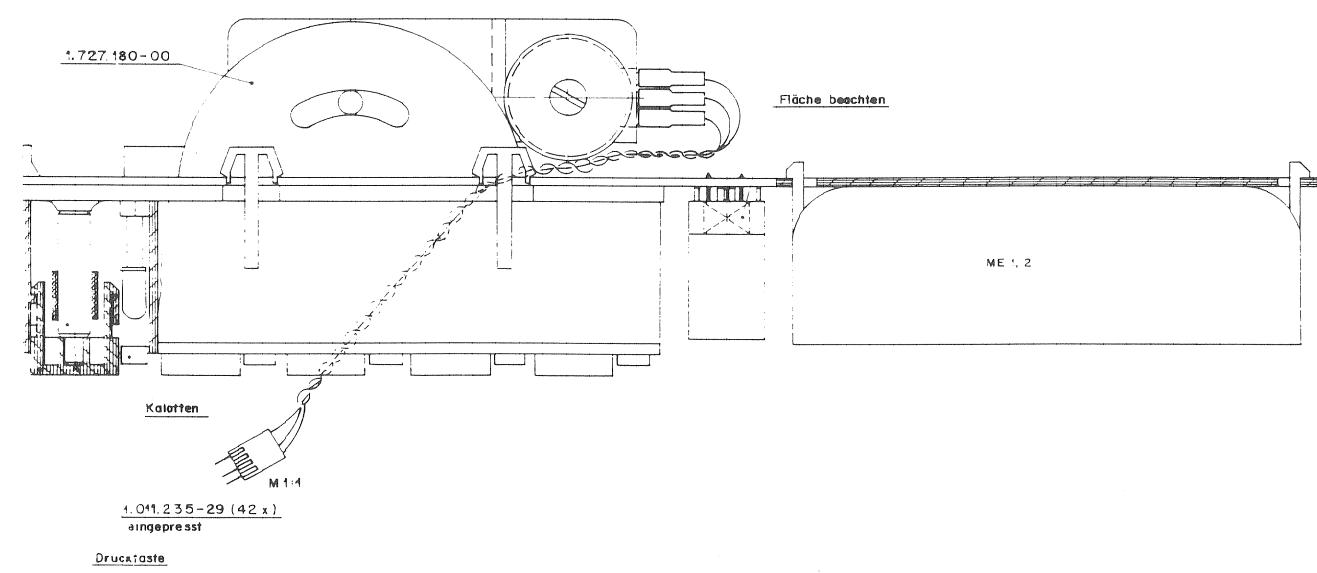
© 12.07.91 GP	①	②	○	○
A 807 VU GRP 30		PAGE 3 OF 3		
STUDER		COMMAND PANEL BOARD 2VU		SCH 1.727.662-82

COMMAND PANEL BOARD 2VU (2CH) 1.727.662.82

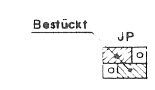
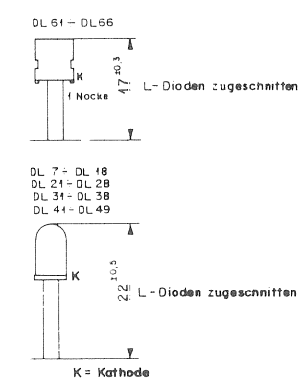


- 1.011.235-25 (2x) 1.011.235-05 (2x) 1.011.235-30 (37x) 1.011.235-31 (5x) 1.727.370-00 1.727.360-05 1.011.235-24 (4x) 1.011.235-04 (4x) 53.04.0107 (4x) 1.011.235-03 (3x) 1.011.235-23 (3x)
- MP29 MP26 24.53.0354 (2x) MP27 1.011.235-33 1.011.235-32 (8x) 1.727.660-12 1.727.662-93 53.03.0168 (7x) 53.03.0166 (4x) 53.03.0167 (2x) 1.011.235-34 (3x)
- 1.727.360-03 24.16.4030 (2x) 23.04.2030 (2x) MP2B (je nach Pos.L.)
- 1.727.360-02 1.727.360-04 (5x)

Kalottenfarben DL 41 - DL 46 nach Positionslage



** Leiterbahn auftrennen (2x Lötseite, 1x Bestückungsseite)
 *** Leiterbahn auftrennen (Lötseite, wenn C31 und R55 vorhanden ist.)
 C26, C28, C30 und C31 Auf Lötseite löten und mit Teflonschlauch 53.99.0111 isolieren.
 R15, R110 und R111
 R55 auf Lötseite löten (Lötstopp entfernen).



VALID FOR	NR. UNIT = NR. POS. LIST
COMMAND PANEL BOARD 0VU	1.727.660-82
COMMAND PANEL BOARD 1VU	1.727.664-82
COMMAND PANEL BOARD 2VU	1.727.662-82
COMMAND PANEL BOARD 2/2	1.727.663-82
COMMAND PANEL BOARD 2VU	1.727.664-82
COMMAND PANEL BOARD 1VU	1.727.665-82
COMMAND PANEL BOARD 0VU (4CH)	1.727.666-82
COMMAND PANEL BOARD UNC PBO	1.727.667-82
COMMAND PAN BOARD UNC MONO PBO	1.727.668-82
COMMAND PANEL BOARD 0VU TC	1.727.760-82
COMMAND PANEL BOARD 2VU TC	1.727.762-82
COMMAND PANEL BOARD 2/2 TC	1.727.763-82
COMMAND PANEL BOARD (4CH) TC	1.727.766-82

STUDER A807 MKII

COMMAND PANEL BOARD 2VU (2CH) 1.727.662.82

IND.	POS. NO.	PART NO.	VALUE	SPECIFICATIONS / EQUIVALENT	MANUF.	IND.	POS. NO.	PART NO.	VALUE	SPECIFICATIONS / EQUIVALENT	MANUF.	IND.	POS. NO.	PART NO.	VALUE	SPECIFICATIONS / EQUIVALENT	MANUF.
A....1	1.727.370.00			Display Board		JP...10	54.01.0021			Bridge		R....71	57.11.3682		6.8 kOhm	1%, 0.25W, MF	
A....2	1.727.180.00			Shuttle Control		JP...11	54.01.0021			Bridge		R....72	57.11.3153		15 kOhm	1%, 0.25W, MF	
B....1	51.02.0144	6 V	0.03 A	Lamp		JP...12	54.01.0021			Bridge		R....73	57.11.3682		6.8 kOhm	1%, 0.25W, MF	
B....2	51.02.0144	6 V	0.03 A	Lamp		JP...13	54.01.0021			Bridge		R....74	57.11.3682		6.8 kOhm	1%, 0.25W, MF	
B....3	51.02.0144	6 V	0.03 A	Lamp		JP...14	54.01.0021			Bridge		R....75	58.01.8503		50 kOhm	10%, 0.5 W, PCera	
B....4	51.02.0144	6 V	0.03 A	Lamp		JP...15	54.01.0021			Bridge		R....76	57.11.3622		8.2 kOhm	1%, 0.25W, MF	
C....1	59.06.0683	68 nF	10X 50 V	PETP		JP...16	54.01.0021			Bridge		R....77	57.11.3203		20 kOhm	1%, 0.25W, MF	
C....2	59.22.3221	220 uF	-20% 10 V	EL		JP...17	54.01.0021			Bridge		R....78	57.11.3203		20 kOhm	1%, 0.25W, MF	
C....3	59.22.3221	220 uF	-20% 10 V	EL		JP...46				not used		R....79	57.11.3103		10 kOhm	1%, 0.25W, MF	
C....4	59.22.3122	1000 uF	-20% 10 V	EL		JP...48	54.01.0021			Bridge		R....80	57.11.3203		20 kOhm	1%, 0.25W, MF	
C....5	59.22.5220	22 uF	-20% 25 V	EL		ME....1	1.727.360.01			VU Meter		R....81	57.11.3103		10 kOhm	1%, 0.25W, MF	
C....6	59.22.5220	22 uF	-20% 25 V	EL		ME....2	1.727.360.01			VU Meter		R....82	57.11.3332		3.3 kOhm	1%, 0.25W, MF	
C....11	59.22.6100	10 uF	-20% 25 V	EL		MP....1	54.01.0020			30 pcs Contact Pin		R....83	57.11.3472		4.7 kOhm	1%, 0.25W, MF	
C....12	59.34.2220	22 uF	10X 50 V	CER		MP....2	1.011.235.03			3 pcs Push button case 3x		R....84	57.11.3182		1.8 kOhm	1%, 0.25W, MF	
C....13	59.06.0105	1 uF	10X 50 V	PETP		MP....3	1.011.235.04			4 pcs Push button case 4x		R....85	57.11.3151		150 Ohm	1%, 0.25W, MF	
C....15	59.06.0683	68 nF	10X 50 V	PETP		MP....4	1.011.235.05			2 pcs Push button case 5x		R....86	57.11.3202		2 kOhm	1%, 0.25W, MF	
C....21	59.22.6100	10 uF	-20% 25 V	EL		MP....5	1.011.235.23			3 pcs Conductive rubber 3x		R....87	57.11.3751		750 Ohm	1%, 0.25W, MF	
C....22	59.34.2220	22 uF	10X 50 V	CER		MP....6	1.011.235.24			4 pcs Conductive rubber 4x		R....88	57.11.3153		15 kOhm	1%, 0.25W, MF	
C....23	59.06.0105	1 uF	10X 50 V	PETP		MP....7	1.011.235.25			2 pcs Conductive rubber 5x		R....89	57.11.3332		3.3 kOhm	1%, 0.25W, MF	
C....25	59.06.0683	68 nF	10X 50 V	PETP		MP....8	1.011.235.29			42 pcs Bolt		R....90	58.01.8503		50 kOhm	10%, 0.5 W, PCera	
C....26	59.45.4101	100 pF	10X 50 V	CER		MP....9	1.011.235.30			37 pcs Push button 14x5		R....91	57.11.3391		390 Ohm	1%, 0.25W, MF	
C....27	not used					MP....10	1.011.235.31			5 pcs Dummy calotte		R....92	57.11.3391		390 Ohm	1%, 0.25W, MF	
C....28	59.45.4101	100 pF	10X 50 V	CER		MP....11	1.011.235.32			8 pcs Calotte red		R....93	57.11.3391		390 Ohm	1%, 0.25W, MF	
C....29	not used					MP....12	1.011.235.33			26 pcs Calotte yel		R....94	57.11.3391		390 Ohm	1%, 0.25W, MF	
C....30	59.45.4101	100 pF	10X 50 V	CER		MP....13	1.011.235.34			3 pcs Calotte grn		R....101	57.11.3391		390 Ohm	1%, 0.25W, MF	
C....31	59.45.4101	100 pF	10X 50 V	CER		MP....14	1.727.360.02			1 pcs Push button case with Shuttle		R....102	57.11.3391		390 Ohm	1%, 0.25W, MF	
D....1	50.04.0512	1N5818	30 V	Schottky		MP....15	1.727.360.03			1 pcs Conductive rubber with Shuttle		R....103	57.11.3391		390 Ohm	1%, 0.25W, MF	
D....11	50.04.0125	1N4448	50 V	SI		MP....16	1.727.360.04			5 pcs Push button 19x14		R....104	57.11.3391		390 Ohm	1%, 0.25W, MF	
D....12	50.04.0125	1N4448	50 V	SI		MP....17	1.727.360.05			1 pcs Push button Adj.		R....105	57.11.3391		390 Ohm	1%, 0.25W, MF	
D....13	50.04.0125	1N4448	50 V	SI		MP....18	1.727.662.10			1 pcs No. Label		R....106	57.11.3391		390 Ohm	1%, 0.25W, MF	
D....14	50.04.0125	1N4448	50 V	SI		MP....19	1.727.660.12			1 pcs Command Panel PCB		R....107	57.11.3391		390 Ohm	1%, 0.25W, MF	
D....14	50.04.0125	1N4448	50 V	SI		MP....20	53.03.0221			43 pcs 2-pole LED Socket		R....108	57.11.3391		390 Ohm	1%, 0.25W, MF	
D....14	50.04.0125	1N4448	50 V	SI		MP....21	1.727.362.93			2 pcs [-]ST Command Panel Board		R....109	57.11.3391		390 Ohm	1%, 0.25W, MF	
D....22	50.04.0125	1N4448	50 V	SI		MP....22	21.53.034			2 pcs Hexaport socket head cap screw H3x6		R....110	57.11.3102		1 kOhm	1%, 0.25W, MF	
D....23	50.04.0125	1N4448	50 V	SI		MP....23	23.01.2032			2 pcs Washer		R....111	57.11.3102		1 kOhm	1%, 0.25W, MF	
S T U D E R (00) 91/07/12 GP COMMAND PANEL BOARD 2VU PL 1.727.662.82 PAGE 1						S T U D E R (00) 91/07/12 GP COMMAND PANEL BOARD 2VU PL 1.727.662.82 PAGE 4						S T U D E R (00) 91/07/12 GP COMMAND PANEL BOARD 2VU PL 1.727.662.82 PAGE 7					
D....24	50.04.0125	1N4448	50 V	SI		MP....24	24.16.1030			2 pcs Fin washer		W....41	64.01.0106			Wire Bridge	
D....30	50.04.0125	1N4448	50 V	SI		MP....25	43.01.0108			1 pcs ESE Warning label		W....42	64.01.0106			Wire Bridge	
D....31	50.04.0125	1N4448	50 V	SI		MP....26	1.727.360.07			1 pcs Push button label, PLAY		W....43	64.01.0106			Wire Bridge	
D....32	50.04.0125	1N4448	50 V	SI		MP....27	1.727.360.08			1 pcs Push button label, STOP		W....46	64.01.0106			Wire Bridge	
D....33	50.04.0125	1N4448	50 V	SI		MP....28	1.727.360.09			1 pcs Push button label, RECORD		W....141				not used	
D....34	50.04.0125	1N4448	50 V	SI		MP....29	1.727.360.19			2 pcs Push button labels, FORWARD, REWIND		W....142				not used	
D....35	50.04.0125	1N4448	50 V	SI		F....1	54.02.0320			Plug 2.8x0.8	AMP	W....143				not used	
D....36	50.04.0125	1N4448	50 V	SI		F....2	54.02.0320			Plug 2.8x0.8	AMP	XB....1	53.04.0107			Lamp holder	
D....37	50.04.0125	1N4448	50 V	SI		F....3	54.02.0320			Plug 2.8x0.8	AMP	XB....2	53.04.0107			Lamp holder	
DL....7	50.04.2501	MV5452	LED grn D=5 mm	GI		F....4	54.02.0320			Plug 2.8x0.8	AMP	XB....3	53.04.0107			Lamp holder	
DL....8	50.04.2500	MV5352	LED yel D=5 mm	GI		F....5	54.02.0320			Plug 2.8x0.8	AMP	XB....4	53.04.0107			Lamp holder	
DL....9	50.04.2500	MV5352	LED yel D=5 mm	GI		F....6	54.02.0320			Plug 2.8x0.8	AMP	XIC....1	53.03.0168		16-Pole	IC Socket	
DL....10	50.04.2500	MV5352	LED yel D=5 mm	GI		Q....1	50.03.0436	BC237B	BC547B, BC550B	NPN	XIC....2	53.03.0168		16-Pole	IC Socket		
DL....11	50.04.2500	MV5352	LED yel D=5 mm	GI		Q....2	50.03.0436	BC237B	BC547B, BC550B	NPN	XIC....3	53.03.0168		16-Pole	IC Socket		
DL....12	50.04.2500	MV5352	LED yel D=5 mm	GI		Q....3	50.03.0436	BC237B	BC547B, BC550B	NPN	XIC....4	53.03.0168		8-Pole	IC Socket		
DL....13	50.04.2500	MV5352	LED yel D=5 mm	GI		Q....4	50.03.0436	BC237B	BC547B, BC550B	NPN	XIC....5	53.03.0167		14-Pole	IC Socket		
DL....14	50.04.2500	MV5352	LED yel D=5 mm	GI		Q....5	50.03.0436	BC237B	BC547B, BC550B	NPN	XIC....6	53.03.0168		16-Pole	IC Socket		
DL....15	50.04.2500	MV5352	LED yel D=5 mm	GI		Q....6	50.03.0436	BC237B	BC547B, BC550B	NPN	XIC....7	53.03.0168		16-Pole	IC Socket		
DL....16	50.04.2500	MV5352	LED yel D=5 mm	GI		R....1	57.11.3391	390 Ohm	1%, 0.25W, MF		XIC....8	53.03.0166		8-Pole	IC Socket		
DL....17	50.04.2500	MV5352	LED yel D=5 mm	GI		R....2	57.11.3391	390 Ohm	1%, 0.25W, MF		XIC....9	53.03.0166		8-Pole	IC Socket		
DL....18	50.04.2115	MV5752	LED red D=5 mm	GI		R....3	57.11.3391	390 Ohm	1%, 0.25W, MF		XIC....10	53.03.0167		14-Pole	IC Socket		
DL....21	50.04.2115	MV5752	LED red D=5 mm	GI		R....4	57.11.3391	390 Ohm	1%, 0.25W, MF		XIC....11	53.03.0168		16-Pole	IC Socket		
DL....22	50.04.2500	MV5352	LED yel D=5 mm	GI		R....5	57.11.3391	390 Ohm	1%, 0.25W, MF		XIC....12	53.03.0168		16-Pole	IC Socket		
DL....23	50.04.2500	MV5352	LED yel D=5 mm	GI		R....6	57.11.3391	390 Ohm	1%, 0.25W, MF		XIC....13	53.03.0168		16-Pole	IC Socket		
DL....24	50.04.2500	MV5352	LED yel D=5 mm	GI		R....7	57.11.3391	390 Ohm	1%, 0.25W, MF		CER=Ceramic, EL=Electrolytic, PETP=Polyester, SI=Silicon, MF=Metal Film, PCera=Pet. Ceram.						
DL....25	50.04.2500	MV5352	LED yel D=5 mm	GI		R....8	57.11.3391	390 Ohm	1%, 0.25W, MF		MANUFACTURER: AMP, GI=General Instrument, ITT, Mot=Motorola, NS=National Semiconductor, Phi=Philips, Ra=Raytheon, TI=Texas Instruments						
DL....26	50.04.2500	MV5352	LED yel D=5 mm	GI		R....9	57.11.3391	390 Ohm	1%, 0.25W, MF		ORIG 91/07/12						
DL....27	50.04.2500	MV5352	LED yel D=5 mm	GI		R....10	57.11.3391	390 Ohm	1%, 0.25W, MF		S T U D E R (00) 91/07/12 GP COMMAND PANEL BOARD 2VU PL 1.727.662.82 PAGE 8						
DL....28	50.04.2115	MV5752	LED red D=5 mm	GI		R....11	57.11.3391	390 Ohm	1%, 0.25W, MF								
DL....31	50.04.2115	MV5752	LED red D=5 mm	GI		R....12	57.11.3102	1 kOhm	1%, 0.25W, MF								
DL....32	50.04.2500	MV5352	LED yel D=5 mm	GI		R....13	57.11.3391	390 Ohm	1%, 0.25W, MF								
DL....33	50.04.2500	MV5352	LED yel D=5 mm	GI		R....14	57.11.3391	390 Ohm	1%, 0.25W, MF								
DL....34	50.04.2500	MV5352	LED yel D=5 mm	GI		R....15	57.11.3391	390 Ohm	1%, 0.25W, MF								

STUDER A807 MKII

COMMAND PANEL BOARD 2VU (2CH) 1.727.662.83

IND.	POS.NO.	PART NO.	VALUE	SPECIFICATIONS / EQUIVALENT	MANUF.	IND.	POS.NO.	PART NO.	VALUE	SPECIFICATIONS / EQUIVALENT	MANUF.	IND.	POS.NO.	PART NO.	VALUE	SPECIFICATIONS / EQUIVALENT	MANUF.
A....1	1.727.370.00			Display Board		JP...10	54.01.0021			Bridge		R....67	57.11.3391	390 Ohm	1%, 0.25W, MF		
A....2	1.727.180.00			Shuttle Control		JP...11	54.01.0021			Bridge		R....68	57.11.3272	2.7 kOhm	1%, 0.25W, MF		
B....1	51.02.0144	6 V	0.03 A	Lamp		JP...12	54.01.0021			Bridge		R....69	57.11.3474	470 kOhm	1%, 0.25W, MF		
B....2	51.02.0144	6 V	0.03 A	Lamp		JP...13	54.01.0021			Bridge		R....70	57.11.3153	15 kOhm	1%, 0.25W, MF		
B....3	51.02.0144	6 V	0.03 A	Lamp		JP...14	54.01.0021			Bridge		R....71	57.11.3682	6.8 kOhm	1%, 0.25W, MF		
B....4	51.02.0144	6 V	0.03 A	Lamp		JP...15	54.01.0021			Bridge		R....72	57.11.3153	15 kOhm	1%, 0.25W, MF		
C....1	59.06.0683	68 nF	10% 50 V	PETP		JP...16	54.01.0021			Bridge		R....73	57.11.3682	6.8 kOhm	1%, 0.25W, MF		
C....2	59.22.3221	220 uF	-20% 10 V	EL		JP...17	54.01.0021			Bridge		R....74	57.11.3682	6.8 kOhm	1%, 0.25W, MF		
C....3	59.22.3221	220 uF	-20% 10 V	EL		JP...41	54.01.0021			Bridge		R....75	58.01.8503	50 kOhm	10%, 0.5 W, PCerm		
C....4	59.22.3102	1000 uF	-20% 10 V	EL		JP...42	54.01.0021			Bridge		R....76	57.11.3822	6.2 kOhm	1%, 0.25W, MF		
C....5	59.22.5220	22 uF	-20% 25 V	EL		JP...43	54.01.0021			Bridge		R....77	57.11.3203	20 kOhm	1%, 0.25W, MF		
C....6	59.22.5220	22 uF	-20% 25 V	EL		JP...46				not used		R....78	57.11.3203	20 kOhm	1%, 0.25W, MF		
C....11	59.22.6100	10 uF	-20% 25 V	EL		JP...48	54.01.0021			Bridge		R....79	57.11.3103	10 kOhm	1%, 0.25W, MF		
C....12	59.34.2220	22 pF	10% 50 V	CER		ME....1	1.727.360.01			VU Meter		R....80	57.11.3203	20 kOhm	1%, 0.25W, MF		
C....13	59.06.0105	1 uF	10% 50 V	PETP		ME....2	1.727.360.01			VU Meter		R....81	57.11.3103	10 kOhm	1%, 0.25W, MF		
C....15	59.06.0683	68 nF	10% 50 V	PETP		MP....1	54.01.0020	39 pcs		Contact Pin		R....82	57.11.3332	3.3 kOhm	1%, 0.25W, MF		
C....21	59.22.6100	10 uF	-20% 25 V	EL		MP....2	1.011.235.03	3 pcs		Push button case 3a		R....83	57.11.3472	4.7 kOhm	1%, 0.25W, MF		
C....22	59.34.2220	22 pF	10% 50 V	CER		MP....3	1.011.235.04	4 pcs		Push button case 4a		R....84	57.11.3182	1.8 kOhm	1%, 0.25W, MF		
C....23	59.06.0105	1 uF	10% 50 V	PETP		MP....4	1.011.235.05	2 pcs		Push button case 5a		R....85	57.11.3151	150 Ohm	1%, 0.25W, MF		
C....25	59.06.0683	68 nF	10% 50 V	PETP		MP....5	1.011.235.23	3 pcs		Conductive rubber 3a		R....86	57.11.3202	2 kOhm	1%, 0.25W, MF		
C....26	59.45.4101	100 pF	10% 50 V	CER		MP....6	1.011.235.24	4 pcs		Conductive rubber 4a		R....87	57.11.3751	750 Ohm	1%, 0.25W, MF		
C....27	not used					MP....7	1.011.235.25	2 pcs		Conductive rubber 5a		R....88	57.11.3153	15 kOhm	1%, 0.25W, MF		
C....28	59.45.4101	100 pF	10% 50 V	CER		MP....8	1.011.235.29	42 pcs		Bolt		R....89	57.11.3332	3.3 kOhm	1%, 0.25W, MF		
C....29	not used					MP....9	1.011.235.30	37 pcs		Push button 14x5		R....90	58.01.8503	50 kOhm	10%, 0.5 W, PCerm		
C....30	59.45.4101	100 pF	10% 50 V	CER		MP....10	1.011.235.31	5 pcs		Dummy calotte		R....91	57.11.3391	390 Ohm	1%, 0.25W, MF		
C....31	59.45.4101	100 pF	10% 50 V	CER		MP....11	1.011.235.32	8 pcs		Calotte red		R....92	57.11.3391	390 Ohm	1%, 0.25W, MF		
D....1	50.04.0512	1R8918	30 V	Schottky		MP....12	1.011.235.33	26 pcs		Calotte yel		R....101	57.11.3391	390 Ohm	1%, 0.25W, MF		
D....11	50.04.0125	1R4448	50 V	SI		MP....13	1.011.235.34	3 pcs		Calotte grn		R....102	57.11.3391	390 Ohm	1%, 0.25W, MF		
D....12	50.04.0125	1R4448	50 V	SI		MP....14	1.727.360.02	1 pc		Push button case with Shuttle		R....103	57.11.3391	390 Ohm	1%, 0.25W, MF		
D....13	50.04.0125	1R4448	50 V	SI		MP....15	1.727.360.03	1 pc		Conductive rubber with Shuttle		R....104	57.11.3391	390 Ohm	1%, 0.25W, MF		
D....14	50.04.0125	1R4448	50 V	SI		MP....16	1.727.360.04	5 pcs		Push button 19x14		R....105	57.11.3391	390 Ohm	1%, 0.25W, MF		
D....14	50.04.0125	1R4448	50 V	SI		MP....17	1.727.360.05	1 pc		Push button Adj.		R....106	57.11.3391	390 Ohm	1%, 0.25W, MF		
D....21	50.04.0125	1R4448	50 V	SI		MP....18	1.727.662.10	1 pc		Label		R....107	57.11.3391	390 Ohm	1%, 0.25W, MF		
D....22	50.04.0125	1R4448	50 V	SI		MP....19	1.727.660.13	1 pc		Command Panel PCB		R....108	57.11.3391	390 Ohm	1%, 0.25W, MF		
D....23	50.04.0125	1R4448	50 V	SI		MP....20	53.03.0221	43 pcs		2-pole LED Socket		R....109	57.11.3391	390 Ohm	1%, 0.25W, MF		

S T U D E R (00) 91/08/26 GP COMMAND PANEL BOARD 2VU PL 1.727.662.83 PAGE 1 S T U D E R (00) 91/08/26 GP COMMAND PANEL BOARD 2VU PL 1.727.662.83 PAGE 4 S T U D E R (00) 91/08/26 GP COMMAND PANEL BOARD 2VU PL 1.727.662.83 PAGE 7

IND.	POS.NO.	PART NO.	VALUE	SPECIFICATIONS / EQUIVALENT	MANUF.	IND.	POS.NO.	PART NO.	VALUE	SPECIFICATIONS / EQUIVALENT	MANUF.	IND.	POS.NO.	PART NO.	VALUE	SPECIFICATIONS / EQUIVALENT	MANUF.
D....24	50.04.0125	1R4448	50 V	SI		MP....21	1.727.362.93	2 pcs		L-LST Command Panel Board		R....110	57.11.3102	1 kOhm	1%, 0.25W, MF		
D....30	50.04.0125	1R4448	50 V	SI		MP....22	21.53.0354	2 pcs		Hexagon socket head cap screw M3x6		R....111	57.11.3102	1 kOhm	1%, 0.25W, MF		
D....31	50.04.0125	1R4448	50 V	SI		MP....23	23.01.0032	2 pcs		feather		S....6	55.15.0130		Push button Switch	ITT	
D....32	50.04.0125	1R4448	50 V	SI		MP....24	24.16.1030	2 pcs		Fin washer		W....46	64.01.0106		Wire Bridge		
D....33	50.04.0125	1R4448	50 V	SI		MP....25	43.01.0108	1 pc		ESE Warning label		XB....1	53.04.0123		Lamp holder		
D....34	50.04.0125	1R4448	50 V	SI		MP....26	1.727.360.07	1 pc		Push button label, PLAY		XB....2	53.04.0123		Lamp holder		
D....35	50.04.0125	1R4448	50 V	SI		MP....27	1.727.360.08	1 pc		Push button label, STOP		XB....3	53.04.0123		Lamp holder		
D....36	50.04.0125	1R4448	50 V	SI		MP....28	1.727.360.09	1 pc		Push button label, RECORD		XB....4	53.04.0123		Lamp holder		
D....37	50.04.0125	1R4448	50 V	SI		MP....29	1.727.360.19	2 pcs		Push button label, FORWARD,REWIND		XIC....1	53.03.0168	16-Pole	IC Socket		
DL....7	50.04.2500	MV5452	LED grn D=5 mm	GI		F....1	54.02.0320			Plug 2.8x0.8	AMP	XIC....2	53.03.0168	16-Pole	IC Socket		
DL....8	50.04.2500	MV5352	LED yel D=5 mm	GI		F....2	54.02.0320			Plug 2.8x0.8	AMP	XIC....3	53.03.0166	8-Pole	IC Socket		
DL....9	50.04.2500	MV5352	LED yel D=5 mm	GI		F....3	54.02.0320			Plug 2.8x0.8	AMP	XIC....4	53.03.0166	8-Pole	IC Socket		
DL....10	50.04.2500	MV5352	LED yel D=5 mm	GI		F....4	54.02.0320			Plug 2.8x0.8	AMP	XIC....5	53.03.0167	14-Pole	IC Socket		
DL....11	50.04.2500	MV5352	LED yel D=5 mm	GI		F....5	54.02.0320			Plug 2.8x0.8	AMP	XIC....6	53.03.0168	16-Pole	IC Socket		
DL....12	50.04.2500	MV5352	LED yel D=5 mm	GI		F....6	54.02.0320			Plug 2.8x0.8	AMP	XIC....7	53.03.0168	16-Pole	IC Socket		
DL....13	50.04.2500	MV5352	LED yel D=5 mm	GI		Q....1	50.03.0436	BC237B	BC547B, BC550B	NPN		XIC....8	53.03.0166	8-Pole	IC Socket		
DL....14	50.04.2500	MV5352	LED yel D=5 mm	GI		Q....2	50.03.0436	BC237B	BC547B, BC550B	NPN		XIC....9	53.03.0166	8-Pole	IC Socket		
DL....15	50.04.2500	MV5352	LED yel D=5 mm	GI		Q....3	50.03.0436	BC237B	BC547B, BC550B	NPN		XIC....10	53.03.0167	14-Pole	IC Socket		
DL....16	50.04.2500	MV5352	LED yel D=5 mm	GI		Q....4	50.03.0436	BC237B	BC547B, BC550B	NPN		XIC....11	53.03.0168	16-Pole	IC Socket		
DL....17	50.04.2500	MV5352	LED yel D=5 mm	GI		Q....5	50.03.0436	BC237B	BC547B, BC550B	NPN		XIC....12	53.03.0168	16-Pole	IC Socket		
DL....18	50.04.2115	MV5752	LED red D=5 mm	GI		Q....6	50.03.0436	BC237B	BC547B, BC550B	NPN		XIC....13	53.03.0168	16-Pole	IC Socket		
DL....21	50.04.2115	MV5752	LED red D=5 mm	GI		R....1	57.11.3391	390 Ohm	1%, 0.25W, MF								
DL....22	50.04.2500	MV5352	LED yel D=5 mm	GI		R....2	57.11.3391	390 Ohm	1%, 0.25W, MF								
DL....23	50.04.2500	MV5352	LED yel D=5 mm	GI		R....3	57.11.3391	390 Ohm	1%, 0.25W, MF								
DL....24	50.04.2500	MV5352	LED yel D=5 mm	GI		R....4	57.11.3391	390 Ohm	1%, 0.25W, MF								
DL....25	50.04.2500	MV5352	LED yel D=5 mm	GI		R....5	57.11.3391	390 Ohm	1%, 0.25W, MF								
DL....26	50.04.2500	MV5352	LED yel D=5 mm	GI		R....6	57.11.3391	390 Ohm	1%, 0.25W, MF								
DL....27	50.04.2500	MV5352	LED yel D=5 mm	GI		R....7	57.11.3391	390 Ohm	1%, 0.25W, MF								
DL....28	50.04.2115	MV5752	LED red D=5 mm	GI		R....8	57.11.3391	390 Ohm	1%, 0.25W, MF								
DL....31	50.04.2115	MV5752	LED red D=5 mm	GI		R....9	57.11.3391	390 Ohm	1%, 0.25W, MF								
DL....32	50.04.2500	MV5352	LED yel D=5 mm	GI		R....10	57.11.3391	390 Ohm	1%, 0.25W, MF								
DL....33	50.04.2500	MV5352	LED yel D=5 mm	GI		R....11	57.11.3391	390 Ohm	1%, 0.25W, MF								
DL....34	50.04.2500	MV5352	LED yel D=5 mm	GI													

COMMAND PANEL BOARD 0VU (2CH) 1.727.660.82

IND.	POS.NO.	PART NO.	VALUE	SPECIFICATIONS / EQUIVALENT	MANUF.	IND.	POS.NO.	PART NO.	VALUE	SPECIFICATIONS / EQUIVALENT	MANUF.
A.....1	1.727.370.00			Display Board		R...106	57.11.3391	390 Ohm	1%, 0.25W, MF		
A.....2	1.727.180.00			Shuttle Control		R...108	57.11.3391	390 Ohm	1%, 0.25W, MF		
C.....1	59.06.0683	68 uF		10% 50 V PEP		R...110	57.11.3102	1 kOhm	1%, 0.25W, MF		
C.....2	59.22.3221	220 uF		-20% 10 V EL		R...111	57.11.3102	1 kOhm	1%, 0.25W, MF		
C.....3	59.22.3221	220 uF		-20% 10 V EL		S.....6	55.15.0130		Push button Switch	ITT	
C.....4	59.22.3102	1000 uF		-20% 10 V EL		W.....41	64.01.0106		Wire Bridge		
C.....5	59.06.0683	68 uF		10% 50 V PEP		W.....42	64.01.0106		Wire Bridge		
C.....6	59.22.5220	22 uF		-20% 25 V EL		W.....43	64.01.0106		Wire Bridge		
C.....7	59.22.5220	22 uF		-20% 25 V EL		W.....44	64.01.0106		Wire Bridge		
C.....8	59.22.5220	22 uF		-20% 25 V EL		W.....45	64.01.0106		Wire Bridge		
C.....9	59.22.5220	22 uF		-20% 25 V EL		W.....46	64.01.0106		Wire Bridge		
C.....10	59.22.5220	22 uF		-20% 25 V EL		W.....47	64.01.0106		Wire Bridge		
C.....11	59.22.5220	22 uF		-20% 25 V EL		W.....48	64.01.0106		Wire Bridge		
C.....12	59.22.5220	22 uF		-20% 25 V EL		W.....49	64.01.0106		Wire Bridge		
C.....13	59.22.5220	22 uF		-20% 25 V EL		W.....50	64.01.0106		Wire Bridge		
C.....14	59.22.5220	22 uF		-20% 25 V EL		W.....51	64.01.0106		Wire Bridge		
C.....15	59.22.5220	22 uF		-20% 25 V EL		W.....52	64.01.0106		Wire Bridge		
C.....16	59.22.5220	22 uF		-20% 25 V EL		W.....53	64.01.0106		Wire Bridge		
C.....17	59.22.5220	22 uF		-20% 25 V EL		W.....54	64.01.0106		Wire Bridge		
C.....18	59.22.5220	22 uF		-20% 25 V EL		W.....55	64.01.0106		Wire Bridge		
C.....19	59.22.5220	22 uF		-20% 25 V EL		W.....56	64.01.0106		Wire Bridge		
C.....20	59.22.5220	22 uF		-20% 25 V EL		W.....57	64.01.0106		Wire Bridge		
C.....21	59.22.5220	22 uF		-20% 25 V EL		W.....58	64.01.0106		Wire Bridge		
C.....22	59.22.5220	22 uF		-20% 25 V EL		W.....59	64.01.0106		Wire Bridge		
C.....23	59.22.5220	22 uF		-20% 25 V EL		W.....60	64.01.0106		Wire Bridge		
C.....24	59.22.5220	22 uF		-20% 25 V EL		W.....61	64.01.0106		Wire Bridge		
C.....25	59.22.5220	22 uF		-20% 25 V EL		W.....62	64.01.0106		Wire Bridge		
C.....26	59.22.5220	22 uF		-20% 25 V EL		W.....63	64.01.0106		Wire Bridge		
C.....27	59.22.5220	22 uF		-20% 25 V EL		W.....64	64.01.0106		Wire Bridge		
C.....28	59.22.5220	22 uF		-20% 25 V EL		W.....65	64.01.0106		Wire Bridge		
C.....29	59.22.5220	22 uF		-20% 25 V EL		W.....66	64.01.0106		Wire Bridge		
C.....30	59.22.5220	22 uF		-20% 25 V EL		W.....67	64.01.0106		Wire Bridge		
D.....1	50.04.0512	1N5818		30 V Schottky		XIC...1	53.03.0168	16-Pole	IC Socket		
D.....2	50.04.0512	1N4448		50 V SI		XIC...2	53.03.0168	16-Pole	IC Socket		
D.....3	50.04.0512	1N4448		50 V SI		XIC...3	53.03.0168	16-Pole	IC Socket		
D.....4	50.04.0512	1N4448		50 V SI							
D.....5	50.04.0512	1N4448		50 V SI							
D.....6	50.04.0512	1N4448		50 V SI							
D.....7	50.04.0512	1N4448		50 V SI							
D.....8	50.04.0512	1N4448		50 V SI							
D.....9	50.04.0512	1N4448		50 V SI							
D.....10	50.04.0512	1N4448		50 V SI							
D.....11	50.04.0512	1N4448		50 V SI							
D.....12	50.04.0512	1N4448		50 V SI							
D.....13	50.04.0512	1N4448		50 V SI							
D.....14	50.04.0512	1N4448		50 V SI							
D.....15	50.04.0512	1N4448		50 V SI							
D.....16	50.04.0512	1N4448		50 V SI							
D.....17	50.04.0512	1N4448		50 V SI							
D.....18	50.04.0512	1N4448		50 V SI							
D.....19	50.04.0512	1N4448		50 V SI							
D.....20	50.04.0512	1N4448		50 V SI							
D.....21	50.04.0512	1N4448		50 V SI							
D.....22	50.04.0512	1N4448		50 V SI							
D.....23	50.04.0512	1N4448		50 V SI							
D.....24	50.04.0512	1N4448		50 V SI							
D.....25	50.04.0512	1N4448		50 V SI							
D.....26	50.04.0512	1N4448		50 V SI							
D.....27	50.04.0512	1N4448		50 V SI							
D.....28	50.04.0512	1N4448		50 V SI							
D.....29	50.04.0512	1N4448		50 V SI							
D.....30	50.04.0512	1N4448		50 V SI							
DL.....7	50.04.2501	MV5452		LED grn D=5 mm	GI						
DL.....8	50.04.2500	MV5352		LED yel D=5 mm	GI						
DL.....9	50.04.2500	MV5352		LED yel D=5 mm	GI						
DL.....10	50.04.2500	MV5352		LED yel D=5 mm	GI						
DL.....11	50.04.2500	MV5352		LED yel D=5 mm	GI						
DL.....12	50.04.2500	MV5352		LED yel D=5 mm	GI						
DL.....13	50.04.2500	MV5352		LED yel D=5 mm	GI						
DL.....14	50.04.2500	MV5352		LED yel D=5 mm	GI						
DL.....15	50.04.2500	MV5352		LED yel D=5 mm	GI						
DL.....16	50.04.2500	MV5352		LED yel D=5 mm	GI						
DL.....17	50.04.2500	MV5352		LED yel D=5 mm	GI						
DL.....18	50.04.2501	MV5452		LED grn D=5 mm	GI						
DL.....19	50.04.2500	MV5352		LED yel D=5 mm	GI						
DL.....20	50.04.2500	MV5352		LED yel D=5 mm	GI						
DL.....21	50.04.2500	MV5352		LED yel D=5 mm	GI						
DL.....22	50.04.2500	MV5352		LED yel D=5 mm	GI						
DL.....23	50.04.2500	MV5352		LED yel D=5 mm	GI						
DL.....24	50.04.2500	MV5352		LED yel D=5 mm	GI						
DL.....25	50.04.2500	MV5352		LED yel D=5 mm	GI						
DL.....26	50.04.2500	MV5352		LED yel D=5 mm	GI						
DL.....27	50.04.2500	MV5352		LED yel D=5 mm	GI						
DL.....28	50.04.2500	MV5352		LED yel D=5 mm	GI						
DL.....29	50.04.2500	MV5352		LED yel D=5 mm	GI						
DL.....30	50.04.2500	MV5352		LED yel D=5 mm	GI						
DL.....31	50.04.2500	MV5352		LED yel D=5 mm	GI						
DL.....32	50.04.2500	MV5352		LED yel D=5 mm	GI						
DL.....33	50.04.2500	MV5352		LED yel D=5 mm	GI						
DL.....34	50.04.2500	MV5352		LED yel D=5 mm	GI						
DL.....35	50.04.2500	MV5352		LED yel D=5 mm	GI						
DL.....36	50.04.2500	MV5352		LED yel D=5 mm	GI						
DL.....37	50.04.2500	MV5352		LED yel D=5 mm	GI						
DL.....38	50.04.2500	MV5352		LED yel D=5 mm	GI						
DL.....39	50.04.2500	MV5352		LED yel D=5 mm	GI						
DL.....40	50.04.2500	MV5352		LED yel D=5 mm	GI						
DL.....41	50.04.2500	MV5352		LED yel D=5 mm	GI						
DL.....42	50.04.2500	MV5352		LED yel D=5 mm	GI						
DL.....43	50.04.2500	MV5352		LED yel D=5 mm	GI						
DL.....44	50.04.2500	MV5352		LED yel D=5 mm	GI						
DL.....45	50.04.2500	MV5352		LED yel D=5 mm	GI						
DL.....46	50.04.2500	MV5352		LED yel D=5 mm	GI						
DL.....47	50.04.2500	MV5352		LED yel D=5 mm	GI						
DL.....48	50.04.2500	MV5352		LED yel D=5 mm	GI						
DL.....49	50.04.2500	MV5352		LED yel D=5 mm	GI						
DL.....50	50.04.2500	MV5352		LED yel D=5 mm	GI						
DL.....51	50.04.2500	MV5352		LED yel D=5 mm	GI						
DL.....52	50.04.2500	MV5352		LED yel D=5 mm	GI						
DL.....53	50.04.2500	MV5352		LED yel D=5 mm	GI						
DL.....54	50.04.2500	MV5352		LED yel D=5 mm	GI						
DL.....55	50.04.2500	MV5352		LED yel D=5 mm	GI						
DL.....56	50.04.2500	MV5352		LED yel D=5 mm	GI						
DL.....57	50.04.2500	MV5352		LED yel D=5 mm	GI						
DL.....58	50.04.2500	MV5352		LED yel D=5 mm	GI						
DL.....59	50.04.2500	MV5352		LED yel D=5 mm	GI						
DL.....60	50.04.2500	MV5352		LED yel D=5 mm	GI						
DL.....61	50.04.2500	MV5352		LED yel D=5 mm	GI						
DL.....62	50.04.2500	MV5352		LED yel D=5 mm	GI						

COMMAND PANEL BOARD 2/2 (2CH) 1.727.663.82

IND.	POS.NO.	PART NO.	VALUE	SPECIFICATIONS / EQUIVALENT	MANUF.	IND.	POS.NO.	PART NO.	VALUE	SPECIFICATIONS / EQUIVALENT	MANUF.
A.....1	1.727.370.00			Display Board		R.....4	57.11.3391	390 Ohm	1%, 0.25W, MF		
A.....2	1.727.180.00			Shuttle Control		R.....5	57.11.3391	390 Ohm	1%, 0.25W, MF		
C.....1	59.06.0683	68 nF	10%	50 V PETP		R.....6	57.11.3391	390 Ohm	1%, 0.25W, MF		
C.....2	59.22.3221	220 uF	-20%	10 V EL		R.....7	57.11.3391	390 Ohm	1%, 0.25W, MF		
C.....3	59.22.3102	1000 uF	-20%	10 V EL		R.....8	57.11.3391	390 Ohm	1%, 0.25W, MF		
C.....4	59.06.0683	68 nF	10%	50 V PETP		R.....9	57.11.3391	390 Ohm	1%, 0.25W, MF		
C.....15	59.06.0683	68 nF	10%	50 V PETP		R.....10	57.11.3391	390 Ohm	1%, 0.25W, MF		
C.....25	59.06.0683	68 nF	10%	50 V PETP		R.....11	57.11.3391	390 Ohm	1%, 0.25W, MF		
C.....26	59.45.4101	100 pF	10%	50 V CER		R.....15	57.11.3102	1 kOhm	1%, 0.25W, MF		
C.....27				not used		R.....21	57.11.3391	390 Ohm	1%, 0.25W, MF		
C.....28	59.45.4101	100 pF	10%	50 V CER		R.....22	57.11.3391	390 Ohm	1%, 0.25W, MF		
C.....29				not used		R.....55	57.11.3102	1 kOhm	1%, 0.25W, MF		
C.....30	59.45.4101	100 pF	10%	50 V CER		R.....61	57.11.3391	390 Ohm	1%, 0.25W, MF		
C.....31	59.45.4101	100 pF	10%	50 V CER		R.....62	57.11.3391	390 Ohm	1%, 0.25W, MF		
D.....1	50.04.0512	1N5818		30 V Schottky		R.....101	57.11.3391	390 Ohm	1%, 0.25W, MF		
D.....30	50.04.0125	1N4448		50 V SI		R.....102	57.11.3391	390 Ohm	1%, 0.25W, MF		
D.....31	50.04.0125	1N4448		50 V SI		R.....103	57.11.3391	390 Ohm	1%, 0.25W, MF		
D.....32	50.04.0125	1N4448		50 V SI		R.....104	57.11.3391	390 Ohm	1%, 0.25W, MF		
D.....33	50.04.0125	1N4448		50 V SI		R.....105	57.11.3391	390 Ohm	1%, 0.25W, MF		
D.....34	50.04.0125	1N4448		50 V SI		R.....106	57.11.3391	390 Ohm	1%, 0.25W, MF		
D.....35	50.04.0125	1N4448		50 V SI		R.....108	57.11.3391	390 Ohm	1%, 0.25W, MF		
D.....36	50.04.0125	1N4448		50 V SI		R.....110	57.11.3102	1 kOhm	1%, 0.25W, MF		
D.....37	50.04.0125	1N4448		50 V SI		R.....111	57.11.3102	1 kOhm	1%, 0.25W, MF		
DL.....7	50.04.2501	MV5452		LED grn D=5 mm	GI	S.....6	55.15.0130		Push button Switch	ITT	
DL.....8	50.04.2500	MV5352		LED yel D=5 mm	GI	W....41	64.01.0106		Wire Bridge		
DL.....9	50.04.2500	MV5352		LED yel D=5 mm	GI	W....42	64.01.0106		Wire Bridge		
DL.....10	50.04.2500	MV5352		LED yel D=5 mm	GI	W....43	64.01.0106		Wire Bridge		
DL.....11	50.04.2500	MV5352		LED yel D=5 mm	GI	W....46	64.01.0106		Wire Bridge		
DL.....12	50.04.2500	MV5352		LED yel D=5 mm	GI	W....141			not used		
DL.....13	50.04.2500	MV5352		LED yel D=5 mm	GI	W....142			not used		
DL.....14	50.04.2500	MV5352		LED yel D=5 mm	GI	W....143			not used		
DL.....15	50.04.2500	MV5352		LED yel D=5 mm	GI	XIC...1	53.03.0168	16-Pole	IC Socket		
DL.....16	50.04.2500	MV5352		LED yel D=5 mm	GI	XIC...2	53.03.0168	16-Pole	IC Socket		
DL.....17	50.04.2500	MV5352		LED yel D=5 mm	GI	XIC...6	53.03.0168	16-Pole	IC Socket		

S T U D E R (00) 91/07/12 GP COMMAND PANEL BOARD 2/2 PL 1.727.663.82 PAGE 1 S T U D E R (00) 91/07/12 GP COMMAND PANEL BOARD 2/2 PL 1.727.663.82 PAGE 4

IND.	POS.NO.	PART NO.	VALUE	SPECIFICATIONS / EQUIVALENT	MANUF.	IND.	POS.NO.	PART NO.	VALUE	SPECIFICATIONS / EQUIVALENT	MANUF.
DL...18	50.04.2115	MV5752		LED red D=5 mm	GI	XIC...7	53.03.0168	16-Pole	IC Socket		
DL...21	50.04.2115	MV5752		LED red D=5 mm	GI	XIC...12	53.03.0168	16-Pole	IC Socket		
DL...22	50.04.2500	MV5352		LED yel D=5 mm	GI	XIC...13	53.03.0168	16-Pole	IC Socket		
DL...23	50.04.2500	MV5352		LED yel D=5 mm	GI						
DL...24	50.04.2500	MV5352		LED yel D=5 mm	GI						
DL...31	50.04.2115	MV5752		LED red D=5 mm	GI						
DL...32	50.04.2500	MV5352		LED yel D=5 mm	GI						
DL...33	50.04.2500	MV5352		LED yel D=5 mm	GI						
DL...34	50.04.2500	MV5352		LED yel D=5 mm	GI						
DL...41	50.04.2500	MV5352		LED yel D=5 mm	GI						
DL...42	50.04.2501	MV5452		LED grn D=5 mm	GI						
DL...43	50.04.2500	MV5352		LED yel D=5 mm	GI						
DL...44	50.04.2115	MV5752		LED red D=5 mm	GI						
DL...45	50.04.2500	MV5352		LED yel D=5 mm	GI						
DL...46	50.04.2500	MV5352		LED yel D=5 mm	GI						
DL...48	50.04.2501	MV5452		LED grn D=5 mm	GI						
IC...1	50.17.1595	74HC595		8-Bit Shift Register	TI						
IC...2	50.17.1595	74HC595		8-Bit Shift Register	TI						
IC...6	50.17.1595	74HC595		8-Bit Shift Register	TI						
IC...7	50.17.1595	74HC595		8-Bit Shift Register	TI						
IC...12	50.06.0596	74LS596		8-Bit Shift Register G.C.	TI						
IC...13	50.17.1595	74HC595		8-Bit Shift Register	TI						
J.....1	54.01.0287			CIS Socket Strip	AMP						
J.....2	54.01.0288			5-Pole	AMP						
J.....3	54.01.0237			20-Pole	AMP						
J.....4	54.01.0237			20-Pole	AMP						
JP...6	54.01.0021			Bridge							
JP...10	54.01.0021			Bridge							
JP...11	54.01.0021			Bridge							
JP...12	54.01.0021			Bridge							
JP...13	54.01.0021			Bridge							
JP...14	54.01.0021			Bridge							
JP...15	54.01.0021			Bridge							
JP...16	54.01.0021			Bridge							

Note 1: used for XDL 7-18, XDL 21-24, XDL 31-34, XDL 41-49

CER=Ceramic, EL=Electrolytic, PETP=Polyester, SI=Silicon, MF=Metal Film, PC=Pot. Cermet, MANUFACTURER: AMP, GI=General Instrument, ITT, Mot=Motorola, NS=National Semiconductor, Ph=Philips, Ra=Raytheon, TI=Texas Instruments

ORIG 91/07/12

S T U D E R (00) 91/07/12 GP COMMAND PANEL BOARD 2/2 PL 1.727.663.82 PAGE 2 S T U D E R (00) 91/07/12 GP COMMAND PANEL BOARD 2/2 PL 1.727.663.82 PAGE 5

IND.	POS.NO.	PART NO.	VALUE	SPECIFICATIONS / EQUIVALENT	MANUF.
JP...17	54.01.0021			Bridge	
JP...46				not used	
JP...48	54.01.0021			Bridge	
MP...1	54.01.0020			Contact Pin	
MP...2	1.011.235.03	30 pcs		Push button case 3*	
MP...3	1.011.235.04	2 pcs		Push button case 4*	
MP...4	1.011.235.05	2 pcs		Push button case 5*	
MP...5	1.011.235.23	3 pcs		Conductive rubber 3*	
MP...6	1.011.235.24	2 pcs		Conductive rubber 4*	
MP...7	1.011.235.25	2 pcs		Conductive rubber 5*	
MP...8	1.011.235.29	32 pcs		Bolt	
MP...9	1.011.235.30	27 pcs		Push button 14*5	
MP...10	1.011.235.31	5 pcs		Dummy calotte	
MP...11	1.011.235.32	4 pcs		Calotte red	
MP...12	1.011.235.33	20 pcs		Calotte yel	
MP...13	1.011.235.34	3 pcs		Calotte grn	
MP...14	1.727.360.02	1 pcs		Push button case with Shuttle	
MP...15	1.727.360.03	1 pcs		Conductive rubber with Shuttle	
MP...16	1.727.360.04	5 pcs		Push button 19*14	
MP...17	1.727.360.05	1 pcs		Push button Adj.	
MP...18	1.727.663.10	1 pcs		No. Label	
MP...19	1.727.660.12	1 pcs		Command Panel PCB	
MP...20	53.03.0221	27 pcs		2-pole LED Socket	
MP...22	21.53.0354	2 pcs		Hexagon socket head cap screw M3*6	
MP...23	23.01.2032	2 pcs		Washer	
MP...24	24.16.1030	2 pcs		Fin washer	
MP...25	43.01.0108	1 pcs		ESE Warning label	
MP...26	1.727.360.07	1 pcs		Push button label, PLAY	
MP...27	1.727.360.08	1 pcs		Push button label, STOP	
MP...28	1.727.360.09	1 pcs		Push button label, RECORD	
MP...29	1.727.360.19	2 pcs		Push button label, FORWARD,REWIND	
MP...30	1.011.235.35	2 pcs		Dummy push button 19*5	
R.....1	57.11.3391	390 Ohm	1%	0.25W, MF	
R.....2	57.11.3391	390 Ohm	1%	0.25W, MF	
R.....3	57.11.3391	390 Ohm	1%	0.25W, MF	

S T U D E R (00) 91/07/12 GP COMMAND PANEL BOARD 2/2 PL 1.727.663.82 PAGE 3

COMMAND PANEL BOARD 2VU PBO (2CH) 1.727.664.82

IND.	POS.NO.	PART NO.	VALUE	SPECIFICATIONS / EQUIVALENT	MANUF.	IND.	POS.NO.	PART NO.	VALUE	SPECIFICATIONS / EQUIVALENT	MANUF.
A....1	1.727.370.00			Display Board		MP...7	1.011.235.25		2 pce	Conductive rubber 5*	
A....2	1.727.180.00			Shuttle Control		MP...8	1.011.235.29		26 pce	Bolt	
B....1	51.02.0144	6 V	0.03 A	Lamp		MP...9	1.011.235.30		21 pce	Push button 14*5	
B....2	51.02.0144	6 V	0.03 A	Lamp		MP...10	1.011.235.31		6 pce	Dummy calotte	
B....3	51.02.0144	6 V	0.03 A	Lamp		MP...11	1.011.235.32		3 pce	Calotte red	
B....4	51.02.0144	6 V	0.03 A	Lamp		MP...12	1.011.235.33		14 pce	Calotte yel	
C....1	59.06.0683	68 nF	10X 50 V	PETP		MP...13	1.011.235.34		3 pce	Calotte grn	
C....2	59.22.3221	220 uF	-20X 10 V	EL		MP...14	1.727.360.02		1 pce	Push button case with Shuttle	
C....3	59.22.3221	220 uF	-20X 10 V	EL		MP...15	1.727.360.03		1 pce	Conductive rubber with Shuttle	
C....4	59.22.3102	1000 uF	-20X 10 V	EL		MP...16	1.727.360.04		5 pce	Push button 19*14	
C....5	59.22.5220	22 uF	-20X 25 V	EL		MP...17	1.727.360.05		1 pce	Push button Adj.	
C....6	59.22.5220	22 uF	-20X 25 V	EL		MP...18	1.727.664.10		1 pce	No. label	
C....11	59.22.6100	10 uF	-20X 25 V	EL		MP...19	1.727.660.12		1 pce	Command Panel PCB	
C....12	59.24.2220	22 pF	10X 50 V	CER		MP...20	59.03.0921		26 pce	2-pole LED Socket	
C....13	59.06.0105	1 nF	10X 50 V	PETP		MP...21	1.727.362.93		2 pce	L-EST Command Panel Board	
C....15	59.06.0683	68 nF	10X 50 V	PETP		MP...22	23.01.2032		2 pce	Washer	
C....21	59.22.6100	10 uF	-20X 25 V	EL		MP...24	24.16.1030		2 pce	Fin washer	
C....22	59.34.2220	22 pF	10X 50 V	CER		MP...25	43.01.0108		1 pce	ESE Warning label	
C....23	59.06.0105	1 nF	10X 50 V	PETP		MP...26	1.727.360.07		1 pce	Push button label, PLAY	
C....25	59.06.0683	68 nF	10X 50 V	PETP		MP...27	1.727.360.08		1 pce	Push button label, STOP	
C....26	59.45.4101	100 pF	10X 50 V	CER		MP...28	1.727.364.02		1 pce	Push button label, blank (for S18)	
C....27				not used		MP...29	1.727.360.19		2 pce	Push button labels, FORWARD,REWIND	
C....28	59.45.4101	100 pF	10X 50 V	CER		P....1	54.02.0320			Plug 2.8x0.8	AMP
C....29				not used		P....2	54.02.0320			Plug 2.8x0.8	AMP
C....30	59.45.4101	100 pF	10X 50 V	CER		P....3	54.02.0320			Plug 2.8x0.8	AMP
C....31	59.45.4101	100 pF	10X 50 V	CER		P....4	54.02.0320			Plug 2.8x0.8	AMP
D....1	50.04.0512	IN5818	30 V	Schottky		P....5	54.02.0320			Plug 2.8x0.8	AMP
D....11	50.04.0125	IN4448	50 V	SI		P....6	54.02.0320			Plug 2.8x0.8	AMP
D....12	50.04.0125	IN4448	50 V	SI		Q....1	50.03.0436	BC237B	BC547B, BC550B	NPN	
D....13	50.04.0125	IN4448	50 V	SI		Q....2	50.03.0436	BC237B	BC547B, BC550B	NPN	
D....14	50.04.0125	IN4448	50 V	SI		Q....3	50.03.0436	BC237B	BC547B, BC550B	NPN	
D....21	50.04.0125	IN4448	50 V	SI		Q....4	50.03.0436	BC237B	BC547B, BC550B	NPN	
D....22	50.04.0125	IN4448	50 V	SI		Q....5	50.03.0436	BC237B	BC547B, BC550B	NPN	
D....23	50.04.0125	IN4448	50 V	SI		Q....6	50.03.0436	BC237B	BC547B, BC550B	NPN	

STUDER (00) 91/07/12 GP COMHND PANEL BOARD 2VU PBO PL 1.727.664.82 PAGE 1 STUDER (00) 91/07/12 GP COMMAND PANEL BOARD 2VU PBO PL 1.727.664.82 PAGE 4

IND.	POS.NO.	PART NO.	VALUE	SPECIFICATIONS / EQUIVALENT	MANUF.	IND.	POS.NO.	PART NO.	VALUE	SPECIFICATIONS / EQUIVALENT	MANUF.
D....24	50.04.0125	IN4448	50 V	SI		R....1	57.11.3391	390 Ohm	1X, 0.25W, MF		
D....30	50.04.0125	IN4448	50 V	SI		R....2	57.11.3391	390 Ohm	1X, 0.25W, MF		
D....31	50.04.0125	IN4448	50 V	SI		R....3	57.11.3391	390 Ohm	1X, 0.25W, MF		
D....32	50.04.0125	IN4448	50 V	SI		R....4	57.11.3391	390 Ohm	1X, 0.25W, MF		
D....33	50.04.0125	IN4448	50 V	SI		R....5	57.11.3391	390 Ohm	1X, 0.25W, MF		
D....34	50.04.0125	IN4448	50 V	SI		R....6	57.11.3391	390 Ohm	1X, 0.25W, MF		
D....35	50.04.0125	IN4448	50 V	SI		R....7	57.11.3391	390 Ohm	1X, 0.25W, MF		
D....36	50.04.0125	IN4448	50 V	SI		R....8	57.11.3391	390 Ohm	1X, 0.25W, MF		
D....37	50.04.0125	IN4448	50 V	SI		R....9	57.11.3391	390 Ohm	1X, 0.25W, MF		
DL....7	50.04.2501	NV5452	LED grn D=5 mm	GI		R....10	57.11.3391	390 Ohm	1X, 0.25W, MF		
DL....8	50.04.2500	NV5352	LED yel D=5 mm	GI		R....11	57.11.3391	390 Ohm	1X, 0.25W, MF		
DL....9	50.04.2500	NV5352	LED yel D=5 mm	GI		R....15	57.11.3102	1 kOhm	1X, 0.25W, MF		
DL....10	50.04.2500	NV5352	LED yel D=5 mm	GI		R....25	57.11.3391	390 Ohm	1X, 0.25W, MF		
DL....11	50.04.2500	NV5352	LED yel D=5 mm	GI		R....27	57.11.3391	390 Ohm	1X, 0.25W, MF		
DL....12	50.04.2500	NV5352	LED yel D=5 mm	GI		R....28	57.11.3272	2.7 kOhm	1X, 0.25W, MF		
DL....13	50.04.2500	NV5352	LED yel D=5 mm	GI		R....29	57.11.3474	470 kOhm	1X, 0.25W, MF		
DL....14	50.04.2500	NV5352	LED yel D=5 mm	GI		R....30	57.11.3153	15 kOhm	1X, 0.25W, MF		
DL....15	50.04.2500	NV5352	LED yel D=5 mm	GI		R....31	57.11.3682	6.8 kOhm	1X, 0.25W, MF		
DL....16	50.04.2500	NV5352	LED yel D=5 mm	GI		R....32	57.11.3153	15 kOhm	1X, 0.25W, MF		
DL....17	50.04.2500	NV5352	LED yel D=5 mm	GI		R....33	57.11.3682	6.8 kOhm	1X, 0.25W, MF		
DL....41	50.04.2500	NV5352	LED yel D=5 mm	GI		R....34	57.11.3682	6.8 kOhm	1X, 0.25W, MF		
DL....42	50.04.2501	NV5452	LED grn D=5 mm	GI		R....35	50.05.0850	50 kOhm	10X, 0.5 W, PCerm		
DL....43	50.04.2500	NV5352	LED yel D=5 mm	GI		R....36	57.11.3822	8.2 kOhm	1X, 0.25W, MF		
DL....44	50.04.2115	NV5752	LED red D=5 mm	GI		R....37	57.11.3203	20 kOhm	1X, 0.25W, MF		
DL....45	50.04.2500	NV5352	LED yel D=5 mm	GI		R....38	57.11.3203	20 kOhm	1X, 0.25W, MF		
DL....46	50.04.2500	NV5352	LED yel D=5 mm	GI		R....39	57.11.3103	10 kOhm	1X, 0.25W, MF		
DL....47	50.04.2115	NV5752	LED red D=5 mm	GI		R....40	57.11.3203	20 kOhm	1X, 0.25W, MF		
DL....48	50.04.2501	NV5452	LED grn D=5 mm	GI		R....41	57.11.3103	10 kOhm	1X, 0.25W, MF		
DL....49	50.04.2115	NV5752	LED red D=5 mm	GI		R....42	57.11.3332	3.3 kOhm	1X, 0.25W, MF		
DL....61	50.04.2119	NV57124	LED red 6.35x3.81	GI		R....43	57.11.3474	470 kOhm	1X, 0.25W, MF		
DL....62	50.04.2119	NV57124	LED red 6.35x3.81	GI		R....44	57.11.3182	1.8 kOhm	1X, 0.25W, MF		
DL....63	50.04.2119	NV57124	LED red 6.35x3.81	GI		R....45	57.11.3151	150 Ohm	1X, 0.25W, MF		
DL....64	50.04.2119	NV57124	LED red 6.35x3.81	GI		R....46	57.11.3202	2 kOhm	1X, 0.25W, MF		
DL....65	50.04.2119	NV57124	LED red 6.35x3.81	GI		R....72	57.11.3153	15 kOhm	1X, 0.25W, MF		
DL....66	50.04.2119	NV57124	LED red 6.35x3.81	GI		R....48	57.11.3153	15 kOhm	1X, 0.25W, MF		
						R....49	57.11.3332	3.3 kOhm	1X, 0.25W, MF		

STUDER (00) 91/07/12 GP COMHND PANEL BOARD 2VU PBO PL 1.727.664.82 PAGE 2 STUDER (00) 91/07/12 GP COMMAND PANEL BOARD 2VU PBO PL 1.727.664.82 PAGE 5

IND.	POS.NO.	PART NO.	VALUE	SPECIFICATIONS / EQUIVALENT	MANUF.	IND.	POS.NO.	PART NO.	VALUE	SPECIFICATIONS / EQUIVALENT	MANUF.
IC....1	50.17.1595	74HC595	8-Bit Shift Register	TI		R....50	58.01.8503	50 kOhm	10X, 0.5 W, PCerm		
IC....2	50.17.1595	74HC595	8-Bit Shift Register	TI		R....55	57.11.3102	1 kOhm	1X, 0.25W, MF		
IC....3	50.09.0107	RC4559	Dual Op. Amp.	Ra		R....65	57.11.3391	390 Ohm	1X, 0.25W, MF		
IC....4	50.09.0107	RC4559	Dual Op. Amp.	Ra		R....66	57.11.3391	390 Ohm	1X, 0.25W, MF		
IC....5	50.05.0199	LN324	Quad Op. Amp.	NS,Not		R....67	57.11.3391	390 Ohm	1X, 0.25W, MF		
IC....6	50.17.1595	74HC595	8-Bit Shift Register	TI		R....68	57.11.3272	2.7 kOhm	1X, 0.25W, MF		
IC....7	50.17.1595	74HC595	8-Bit Shift Register	TI		R....69	57.11.3474	470 kOhm	1X, 0.25W, MF		
IC....8	50.09.0107	RC4559	Dual Op. Amp.	Ra		R....70	57.11.3153	15 kOhm	1X, 0.25W, MF		
IC....9	50.09.0107	RC4559	Dual Op. Amp.	Ra		R....71	57.11.3682	6.8 kOhm	1X, 0.25W, MF		
IC....10	50.05.0199	LN324	Quad Op. Amp.	NS,Not		R....72	57.11.3153	15 kOhm	1X, 0.25W, MF		
IC....12	50.06.0596	74LS596	8-Bit Shift Register G.C.	TI		R....73	57.11.3682	6.8 kOhm	1X, 0.25W, MF		
IC....13	50.17.1595	74HC595	8-Bit Shift Register	TI		R....74	57.11.3682	6.8 kOhm	1X, 0.25W, MF		
J....1	54.01.0287	3-Pole	CIS Socket Strip	AMP		R....75	58.01.8503	50 kOhm	10X, 0.5 W, PCerm		
J....2	54.01.0288	5-Pole	CIS Socket Strip	AMP		R....76	57.11.3822	8.2 kOhm	1X, 0.25W, MF		
J....3	54.01.0237	20-Pole	CIS Socket Strip	AMP		R....77	57.11.3203	20 kOhm	1X, 0.25W, MF		
J....4	54.01.0237	20-Pole	CIS Socket Strip	AMP		R....78	57.11.3203	20 kOhm	1X, 0.25W, MF		
JP....6	54.01.0021		Bridge			R....80	57.11.3203	20 kOhm	1X, 0.25W, MF		
JP....10	54.01.0021		Bridge			R....81	57.11.3103	10 kOhm	1X, 0.25W, MF		
JP....11	54.01.0021		Bridge			R....82	57.11.3332	3.3 kOhm	1X, 0.25W, MF		
JP....12	54.01.0021		Bridge			R....83	57.11.3474	470 kOhm	1X, 0.25W, MF		
JP....13	54.01.0021		Bridge			R....84	57.11.3182	1.8 kOhm	1X, 0.25W, MF		
JP....14	54.01.0021										

COMMAND PANEL BOARD 2VU PBO (2CH) 1.727.664.82

IND.	POS.NO.	PART NO.	VALUE	SPECIFICATIONS / EQUIVALENT	MANUF.
R...	110	57.11.3102	1 kOhm	1%, 0.25W, MF	
R...	111	57.11.3102	1 kOhm	1%, 0.25W, MF	
S....	6	55.15.0130		Push button Switch	ITT
W....	41	64.01.0106		Wire Bridge	
W....	42	64.01.0106		Wire Bridge	
W....	43	64.01.0106		Wire Bridge	
W....	46	64.01.0106		Wire Bridge	
W....	141			not used	
W....	142			not used	
W....	143			not used	
XB...	1	53.04.0107		Lamp holder	
XB...	2	53.04.0107		Lamp holder	
XB...	3	53.04.0107		Lamp holder	
XB...	4	53.04.0107		Lamp holder	
XIC...	1	53.03.0168	16-Pole	IC Socket	
XIC...	2	53.03.0168	16-Pole	IC Socket	
XIC...	3	53.03.0166	8-Pole	IC Socket	
XIC...	4	53.03.0166	8-Pole	IC Socket	
XIC...	5	53.03.0167	14-Pole	IC Socket	
XIC...	6	53.03.0168	16-Pole	IC Socket	
XIC...	7	53.03.0168	16-Pole	IC Socket	
XIC...	8	53.03.0166	8-Pole	IC Socket	
XIC...	9	53.03.0166	8-Pole	IC Socket	
XIC...	10	53.03.0167	14-Pole	IC Socket	
XIC...	12	53.03.0168	16-Pole	IC Socket	
XIC...	13	53.03.0168	16-Pole	IC Socket	

S T U D E R (00) 91/07/12 GP COMMAND PANEL BOARD 2VU PBO PL 1.727.664.82 PAGE 7

IND.	POS.NO.	PART NO.	VALUE	SPECIFICATIONS / EQUIVALENT	MANUF.
------	---------	----------	-------	-----------------------------	--------

CER=Ceramic, EL=Electrolytic, PETP=Polyester, SI=Silicon,
 MF=Metal Film, PCerm=Pot. Cermet,
 MANUFACTURER: AMP, GI=General Instrument, ITT, Mot=Motorola,
 NS=National Semiconductor, Ph=Philips, Ra=Raytheon,
 TI=Texas Instruments

ORIG 91/07/12

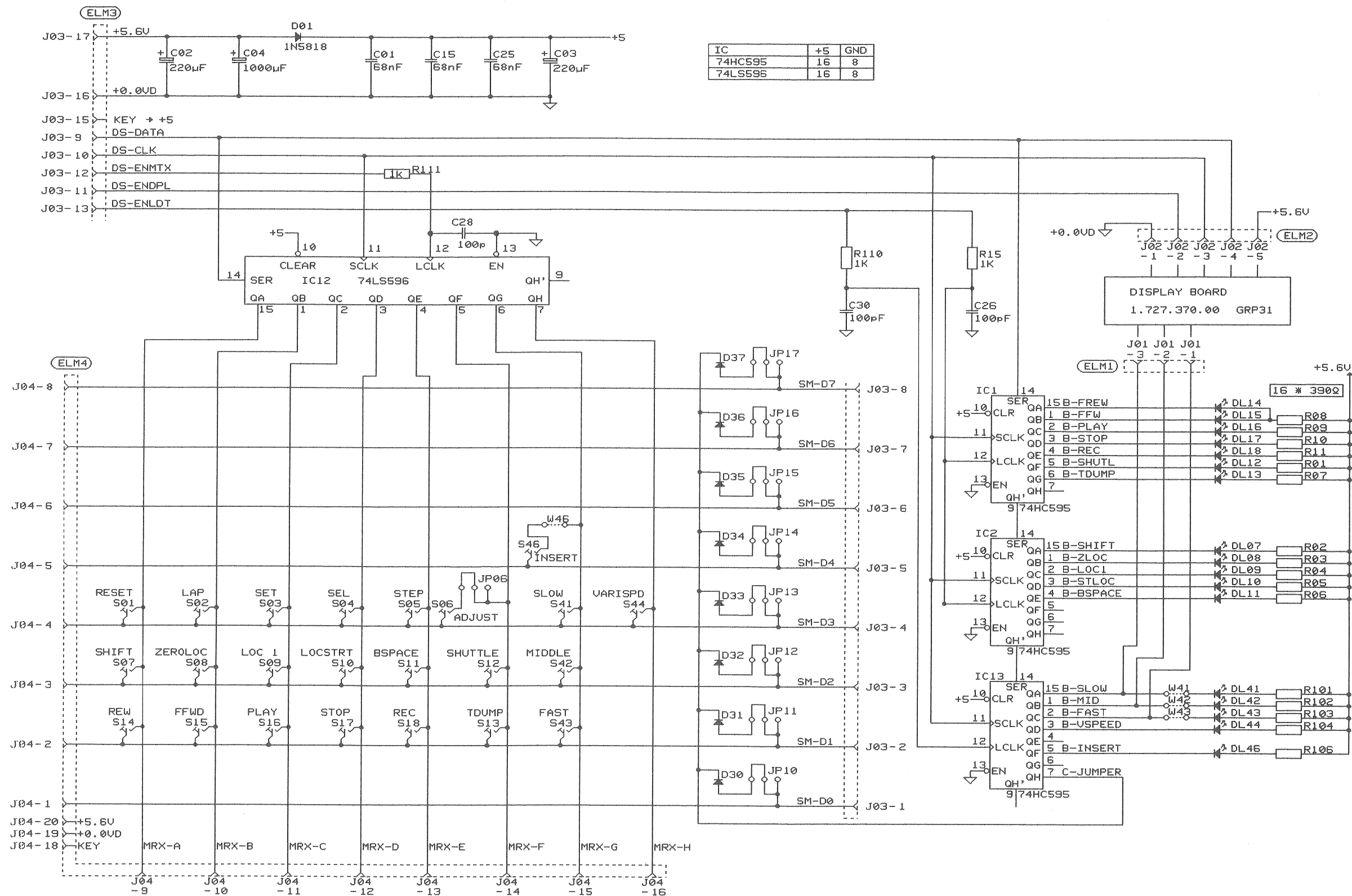
S T U D E R (00) 91/07/12 GP COMMAND PANEL BOARD 2VU PBO PL 1.727.664.82 PAGE 8

STUDER A807 MKII

COMMAND PANEL BOARD 1VU PBO (2CH) 1.727.665.82

IND.	POS.NO.	PART NO.	VALUE	SPECIFICATIONS / EQUIVALENT	MANUF.	IND.	POS.NO.	PART NO.	VALUE	SPECIFICATIONS / EQUIVALENT	MANUF.
A.....1	1.727.370.00			Display Board		MP...26	1.727.360.07		1 pce	Push button label, PLAY	
A.....2	1.727.180.00			Shuttle Control		MP...27	1.727.360.08		1 pce	Push button label, STOP	
B.....1	51.02.0144	6 V		0.03 A Lamp		MP...28	1.727.364.02		1 pce	Push button label, blank (for S18)	
B.....2	51.02.0144	6 V		0.03 A Lamp		MP...29	1.727.360.19		2 pce	Push button labels, FORWARD,REWIND	
						MP...30	1.011.235.35		1 pce	Dummy push button 19*5 (S49)	
C.....1	59.06.0683	68 nF		10X 50 V PETP		P.....1	54.02.0320			Plug 2.8*0.8	AMP
C.....2	59.22.3221	220 uF		-20X 10 V EL		P.....2	54.02.0320			Plug 2.8*0.8	AMP
C.....3	59.22.3221	220 uF		-20X 10 V EL		P.....3	54.02.0320			Plug 2.8*0.8	AMP
C.....4	59.22.3102	1000 uF		-20X 10 V EL		Q.....1	50.03.0436	BC237B	BC547B, BC550B	NPN	
C.....5	59.22.5220	22 uF		-20X 25 V EL		Q.....2	50.03.0436	BC237B	BC547B, BC550B	NPN	
C.....6	59.22.5220	22 uF		-20X 25 V EL		Q.....3	50.03.0436	BC237B	BC547B, BC550B	NPN	
C.....11	59.22.6100	10 uF		-20X 25 V EL		R.....1	57.11.3391	390 Ohm	1X, 0.25W	MF	
C.....12	59.34.2220	22 pF		10X 50 V CER		R.....2	57.11.3391	390 Ohm	1X, 0.25W	MF	
C.....13	59.06.0105	1 uF		10X 50 V PETP		R.....3	57.11.3391	390 Ohm	1X, 0.25W	MF	
C.....15	59.06.0683	68 nF		10X 50 V PETP		R.....4	57.11.3391	390 Ohm	1X, 0.25W	MF	
C.....25	59.06.0683	68 nF		10X 50 V PETP		R.....5	57.11.3391	390 Ohm	1X, 0.25W	MF	
C.....26	59.45.4101	100 pF		10X 50 V CER		R.....6	57.11.3391	390 Ohm	1X, 0.25W	MF	
C.....27				not used		R.....7	57.11.3391	390 Ohm	1X, 0.25W	MF	
C.....28	59.45.4101	100 pF		10X 50 V CER		R.....8	57.11.3391	390 Ohm	1X, 0.25W	MF	
C.....29				not used		R.....9	57.11.3391	390 Ohm	1X, 0.25W	MF	
C.....30	59.45.4101	100 pF		10X 50 V CER		R.....10	57.11.3391	390 Ohm	1X, 0.25W	MF	
C.....31	59.45.4101	100 pF		10X 50 V CER		R.....11	57.11.3391	390 Ohm	1X, 0.25W	MF	
D.....1	50.04.0512	1N5818		30 V Schottky		R.....12	57.11.3391	390 Ohm	1X, 0.25W	MF	
D.....11	50.04.0125	1N4448		50 V SI		R.....13	57.11.3102	1 kOhm	1X, 0.25W	MF	
D.....12	50.04.0125	1N4448		50 V SI		R.....15	57.11.3391	390 Ohm	1X, 0.25W	MF	
D.....13	50.04.0125	1N4448		50 V SI		R.....26	57.11.3391	390 Ohm	1X, 0.25W	MF	
D.....14	50.04.0125	1N4448		50 V SI		R.....27	57.11.3391	390 Ohm	1X, 0.25W	MF	
D.....19	50.04.0125	1N4448		50 V SI		R.....28	57.11.3272	2.7 kOhm	1X, 0.25W	MF	
D.....31	50.04.0125	1N4448		50 V SI		R.....29	57.11.3474	470 kOhm	1X, 0.25W	MF	
D.....32	50.04.0125	1N4448		50 V SI		R.....30	57.11.3153	15 kOhm	1X, 0.25W	MF	
D.....33	50.04.0125	1N4448		50 V SI		R.....31	57.11.3682	6.8 kOhm	1X, 0.25W	MF	
D.....34	50.04.0125	1N4448		50 V SI		R.....32	57.11.3153	15 kOhm	1X, 0.25W	MF	
D.....35	50.04.0125	1N4448		50 V SI		R.....33	57.11.3682	6.8 kOhm	1X, 0.25W	MF	
D.....36	50.04.0125	1N4448		50 V SI		R.....34	57.11.3682	6.8 kOhm	1X, 0.25W	MF	
D.....37	50.04.0125	1N4448		50 V SI		R.....35	58.01.8503	50 kOhm	10X, 0.5 W PCerm		
S T U D E R (00) 91/07/12 GP COMMAND PANEL BOARD 1VU PBO PL 1.727.665.82 PAGE 1						S T U D E R (00) 91/07/12 GP COMMAND PANEL BOARD 1VU PBO PL 1.727.665.82 PAGE 4					
IND.	POS.NO.	PART NO.	VALUE	SPECIFICATIONS / EQUIVALENT	MANUF.	IND.	POS.NO.	PART NO.	VALUE	SPECIFICATIONS / EQUIVALENT	MANUF.
DL.....7	50.04.2501	MV9452		LED grn D=5 mm	GI	R.....36	57.11.3922	8.2 kOhm	1X, 0.25W	MF	
DL.....8	50.04.2500	MV9352		LED yel D=5 mm	GI	R.....37	57.11.3203	20 kOhm	1X, 0.25W	MF	
DL.....9	50.04.2500	MV9352		LED yel D=5 mm	GI	R.....38	57.11.3203	20 kOhm	1X, 0.25W	MF	
DL.....10	50.04.2500	MV9352		LED yel D=5 mm	GI	R.....39	57.11.3103	10 kOhm	1X, 0.25W	MF	
DL.....11	50.04.2500	MV9352		LED yel D=5 mm	GI	R.....40	57.11.3203	20 kOhm	1X, 0.25W	MF	
DL.....12	50.04.2500	MV9352		LED yel D=5 mm	GI	R.....41	57.11.3103	10 kOhm	1X, 0.25W	MF	
DL.....13	50.04.2500	MV9352		LED yel D=5 mm	GI	R.....42	57.11.3272	2.7 kOhm	1X, 0.25W	MF	
DL.....14	50.04.2500	MV9352		LED yel D=5 mm	GI	R.....43	57.11.3472	4.7 kOhm	1X, 0.25W	MF	
DL.....15	50.04.2500	MV9352		LED yel D=5 mm	GI	R.....44	57.11.3182	1.8 kOhm	1X, 0.25W	MF	
DL.....16	50.04.2500	MV9352		LED yel D=5 mm	GI	R.....45	57.11.3151	150 Ohm	1X, 0.25W	MF	
DL.....17	50.04.2500	MV9352		LED yel D=5 mm	GI	R.....46	57.11.3202	2 kOhm	1X, 0.25W	MF	
DL.....41	50.04.2500	MV9352		LED yel D=5 mm	GI	R.....47	57.11.3751	750 Ohm	1X, 0.25W	MF	
DL.....42	50.04.2501	MV9452		LED grn D=5 mm	GI	R.....48	57.11.3153	15 kOhm	1X, 0.25W	MF	
DL.....43	50.04.2500	MV9352		LED yel D=5 mm	GI	R.....49	57.11.3352	3.3 kOhm	1X, 0.25W	MF	
DL.....44	50.04.2115	MV9752		LED red D=5 mm	GI	R.....50	58.01.8503	50 kOhm	10X, 0.5 W PCerm		
DL.....45	50.04.2500	MV9352		LED yel D=5 mm	GI	R.....55	57.11.3102	1 kOhm	1X, 0.25W	MF	
DL.....46	50.04.2500	MV9352		LED yel D=5 mm	GI	R.....101	57.11.3391	390 Ohm	1X, 0.25W	MF	
DL.....47	50.04.2115	MV9752		LED red D=5 mm	GI	R.....102	57.11.3391	390 Ohm	1X, 0.25W	MF	
DL.....48	50.04.2501	MV9452		LED grn D=5 mm	GI	R.....103	57.11.3391	390 Ohm	1X, 0.25W	MF	
DL.....61	50.04.2119	MV97124		LED red 6.35*3.81	GI	R.....104	57.11.3391	390 Ohm	1X, 0.25W	MF	
DL.....62	50.04.2119	MV97124		LED red 6.35*3.81	GI	R.....105	57.11.3391	390 Ohm	1X, 0.25W	MF	
DL.....63	50.04.2119	MV97124		LED red 6.35*3.81	GI	R.....106	57.11.3391	390 Ohm	1X, 0.25W	MF	
IC.....1	50.17.1595	74HC595		8-Bit Shift Register	TI	R.....107	57.11.3391	390 Ohm	1X, 0.25W	MF	
IC.....2	50.17.1595	74HC595		8-Bit Shift Register	TI	R.....108	57.11.3391	390 Ohm	1X, 0.25W	MF	
IC.....3	50.09.0107	RC4559		Dual Op. Amp.	Ra	R.....110	57.11.3102	1 kOhm	1X, 0.25W	MF	
IC.....4	50.09.0107	RC4559		Dual Op. Amp.	Ra	R.....111	57.11.3102	1 kOhm	1X, 0.25W	MF	
IC.....5	50.05.0199	LM324		Quad Op. Amp.	NS,Mot	S.....6	55.15.0130			Push button Switch	ITT
IC.....6	50.17.1595	74HC595		8-Bit Shift Register	TI	W.....41	64.01.0106			Wire Bridge	
IC.....12	50.04.0125	74LS596		8-Bit Shift Register O.C.	TI	W.....42	64.01.0106			Wire Bridge	
IC.....13	50.17.1595	74HC595		8-Bit Shift Register	TI	W.....43	64.01.0106			Wire Bridge	
J.....1	54.01.0287	3-Pole		CIS Socket Strip	AMP	W.....46	64.01.0106			Wire Bridge	
J.....2	54.01.0288	5-Pole		CIS Socket Strip	AMP	W.....141				not used	
J.....3	54.01.0237	20-Pole		CIS Socket Strip	AMP	W.....142				not used	
J.....4	54.01.0237	20-Pole		CIS Socket Strip	AMP	W.....143				not used	
S T U D E R (00) 91/07/12 GP COMMAND PANEL BOARD 1VU PBO PL 1.727.665.82 PAGE 2						S T U D E R (00) 91/07/12 GP COMMAND PANEL BOARD 1VU PBO PL 1.727.665.82 PAGE 5					
IND.	POS.NO.	PART NO.	VALUE	SPECIFICATIONS / EQUIVALENT	MANUF.	IND.	POS.NO.	PART NO.	VALUE	SPECIFICATIONS / EQUIVALENT	MANUF.
JP.....6	54.01.0021			Bridge		XB.....1	53.04.0107			Lamp holder	
JP.....10	54.01.0021			Bridge		XB.....2	53.04.0107			Lamp holder	
JP.....11	54.01.0021			Bridge		XIC.....1	53.03.0168	16-Pole		IC Socket	
JP.....12	54.01.0021			Bridge		XIC.....2	53.03.0168	16-Pole		IC Socket	
JP.....13	54.01.0021			Bridge		XIC.....3	53.03.0166	8-Pole		IC Socket	
JP.....14	54.01.0021			Bridge		XIC.....4	53.03.0166	8-Pole		IC Socket	
JP.....15	54.01.0021			Bridge		XIC.....5	53.03.0167	14-Pole		IC Socket	
JP.....16	54.01.0021			Bridge		XIC.....6	53.03.0168	16-Pole		IC Socket	
JP.....17	54.01.0021			Bridge		XIC.....12	53.03.0168	16-Pole		IC Socket	
JP.....46				not used		XIC.....13	53.03.0168	16-Pole		IC Socket	
JP.....48	54.01.0021			Bridge							
ME.....1	1.727.360.01			VU Meter							
MP.....1	54.01.0020	30 pce		Contact Pin							
MP.....2	1.011.235.03	3 pce		Push button case 3*							
MP.....4	1.011.235.05	2 pce		Push button case 5*							
MP.....5	1.011.235.23	3 pce		Conductive rubber 3*							
MP.....7	1.011.235.25	2 pce		Conductive rubber 5*							
MP.....8	1.011.235.29	25 pce		Bolt							
MP.....9	1.011.235.30	20 pce		Push button 14*5							
MP.....10	1.011.235.31	6 pce		Dummy calotte							
MP.....11	1.011.235.32	2 pce		Calotte red							
MP.....12	1.011.235.33	14 pce		Calotte yel							
MP.....13	1.011.235.34	3 pce		Calotte grn							
MP.....14	1.727.360.02	1 pce		Push button case with Shuttle							
MP.....15	1.727.360.03	1 pce		Conductive rubber with Shuttle							
MP.....16	1.727.360.04	5 pce		Push button 19*14							
MP.....17	1.727.360.05	1 pce		Push button Adj.							
MP.....18	1.727.665.10	1 pce		No. Label							
MP.....19	1.727.660.12	2 pce		Command Panel PCB							
MP.....20	53.03.0221	22 pce		2-pole LED Socket							
MP.....21	1.727.362.93	1 pce		L-1ST Command Panel Board</							

COMMAND PANEL BOARD 0VU (4CH) 1.727.666.82



© 12.07.91 GP	①	②	○	○
A 807-4 GR 30		PAGE 1 OF 1		
STUDER	COMMAND PANEL BOARD 0VU (4CH)	SCH	1.727.666-82	

STUDER A807 MKII

COMMAND PANEL BOARD OVU (4CH) 1.727.666.82

IND.	POS.NO.	PART NO.	VALUE	SPECIFICATIONS / EQUIVALENT	MANUF.	IND.	POS.NO.	PART NO.	VALUE	SPECIFICATIONS / EQUIVALENT	MANUF.
A.....1	1.727.370.00			Display Board		S.....6	55.15.0130			Push button Switch	ITT
A.....2	1.727.180.00			Shuttle Control		W....41	64.01.0106			Wire Bridge	
C.....1	59.06.0683	68 nF	10%	50 V PETP		W....42	64.01.0106			Wire Bridge	
C.....2	59.22.3221	220 uF	-20%	10 V EL		W....43	64.01.0106			Wire Bridge	
C.....3	59.22.3221	220 uF	-20%	10 V EL		W....46				not used	
C.....4	59.22.3102	1000 uF	-20%	10 V EL		W....141				not used	
C.....25	59.06.0683	68 nF	10%	50 V PETP		W....142				not used	
C.....26	59.45.4101	100 pF	10%	50 V CER		W....143				not used	
C.....27				not used		XIC...1	53.03.0168	16-Pole		IC Socket	
C.....28	59.45.4101	100 pF	10%	50 V CER		XIC...2	53.03.0168	16-Pole		IC Socket	
C.....29				not used		XIC...12	53.03.0168	16-Pole		IC Socket	
C.....30	59.45.4101	100 pF	10%	50 V CER		XIC...13	53.03.0168	16-Pole		IC Socket	
D.....1	50.04.0512	1N5818		30 V Schottky							
D.....30	50.04.0125	1N4448		50 V SI							
D.....31	50.04.0125	1N4448		50 V SI							
D.....32	50.04.0125	1N4448		50 V SI							
D.....33	50.04.0125	1N4448		50 V SI							
D.....34	50.04.0125	1N4448		50 V SI							
D.....35	50.04.0125	1N4448		50 V SI							
D.....36	50.04.0125	1N4448		50 V SI							
D.....37	50.04.0125	1N4448		50 V SI							
DL.....7	50.04.2501	HV5452		LED grn D=5 mm	GI						
DL.....8	50.04.2500	HV5352		LED yel D=5 mm	GI						
DL.....9	50.04.2500	HV5352		LED yel D=5 mm	GI						
DL.....10	50.04.2500	HV5352		LED yel D=5 mm	GI						
DL.....11	50.04.2500	HV5352		LED yel D=5 mm	GI						
DL.....12	50.04.2500	HV5352		LED yel D=5 mm	GI						
DL.....13	50.04.2500	HV5352		LED yel D=5 mm	GI						
DL.....14	50.04.2500	HV5352		LED yel D=5 mm	GI						
DL.....15	50.04.2500	HV5352		LED yel D=5 mm	GI						
DL.....16	50.04.2500	HV5352		LED yel D=5 mm	GI						
DL.....17	50.04.2500	HV5352		LED yel D=5 mm	GI						
DL.....18	50.04.2115	HV5752		LED red D=5 mm	GI						
DL.....41	50.04.2501	HV5452		LED grn D=5 mm	GI						

S T U D E R (00) 91/07/12 GP COMMAND PANEL BOARD OVU(4CH) PL 1.727.666.82 PAGE 1 S T U D E R (00) 91/07/12 GP COMMAND PANEL BOARD OVU(4CH) PL 1.727.666.82 PAGE 4

IND.	POS.NO.	PART NO.	VALUE	SPECIFICATIONS / EQUIVALENT	MANUF.
DL...42	50.04.2500	HV5352		LED yel D=5 mm	GI
DL...43	50.04.2500	HV5352		LED yel D=5 mm	GI
DL...44	50.04.2115	HV5752		LED red D=5 mm	GI
DL...46	50.04.2501	HV5452		LED grn D=5 mm	GI
IC...1	50.17.1595	74HC595		8-Bit Shift Register	TI
IC...2	50.17.1595	74HC595		8-Bit Shift Register	TI
IC...12	50.06.0596	74LS596		8-Bit Shift Register O.C.	TI
IC...13	50.17.1595	74HC595		8-Bit Shift Register	TI
J...1	54.01.0287	3-Pole		CIS Socket Strip	AMP
J...2	54.01.0288	5-Pole		CIS Socket Strip	AMP
J...3	54.01.0237	20-Pole		CIS Socket Strip	AMP
J...4	54.01.0237	20-Pole		CIS Socket Strip	AMP
JP...6	54.01.0021			Bridge	
JP...10	54.01.0021			Bridge	
JP...11	54.01.0021			Bridge	
JP...12	54.01.0021			Bridge	
JP...13	54.01.0021			Bridge	
JP...14	54.01.0021			Bridge	
JP...15	54.01.0021			Bridge	
JP...16	54.01.0021			Bridge	
JP...17	54.01.0021			Bridge	
JP...46	54.01.0021			Bridge	
JP...48				not used	
MP...1	54.01.0020	30 pcs		Contact Pin	
MP...2	1.011.235.03	2 pcs		Push button case 3a	
MP...4	1.011.235.05	2 pcs		Push button case 5a	
MP...5	1.011.235.23	2 pcs		Conductive rubber 3a	
MP...7	1.011.235.25	2 pcs		Conductive rubber 5a	
MP...8	1.011.235.29	22 pcs		Bolt	
MP...9	1.011.235.30	17 pcs		Push button 14*5	
MP...10	1.011.235.31	5 pcs		Dummy calotte	
MP...11	1.011.235.32	2 pcs		Calotte red	
MP...12	1.011.235.33	12 pcs		Calotte yel	

S T U D E R (00) 91/07/12 GP COMMAND PANEL BOARD OVU(4CH) PL 1.727.666.82 PAGE 2

IND.	POS.NO.	PART NO.	VALUE	SPECIFICATIONS / EQUIVALENT	MANUF.
MP...13	1.011.235.34	3 pcs		Calotte grn	
MP...14	1.727.360.02	1 pcs		Push button case with Shuttle	
MP...15	1.727.360.03	1 pcs		Conductive rubber with Shuttle	
MP...16	1.727.360.04	5 pcs		Push button 19*14	
MP...17	1.727.360.05	1 pcs		Push button Adj.	
MP...18	1.727.666.10	1 pcs		No. Label	
MP...19	1.727.660.12	1 pcs		Command Panel PCB	
MP...20	53.03.0221	17 pcs		2-pole LED Socket	
MP...22	21.53.0354	2 pcs		Hexagon socket head cap screw M3*6	
MP...23	57.11.2032	2 pcs		Washer	
MP...24	24.16.1030	2 pcs		Fin washer	
MP...25	43.01.0108	1 pcs		ESE Warning label	
MP...26	1.727.360.07	1 pcs		Push button label / PLAY	
MP...27	1.727.360.08	1 pcs		Push button label / STOP	
MP...28	1.727.360.09	1 pcs		Push button label / RECORD	
MP...29	1.727.360.19	2 pcs		Push button labels / FORWARD;REWIND	
MP...30	1.011.235.35	1 pcs		Dummy push button 19*5	
R...1	57.11.3391	390 Ohm		1%, 0.25W, MF	
R...2	57.11.3391	390 Ohm		1%, 0.25W, MF	
R...3	57.11.3391	390 Ohm		1%, 0.25W, MF	
R...4	57.11.3391	390 Ohm		1%, 0.25W, MF	
R...5	57.11.3391	390 Ohm		1%, 0.25W, MF	
R...6	57.11.3391	390 Ohm		1%, 0.25W, MF	
R...7	57.11.3391	390 Ohm		1%, 0.25W, MF	
R...8	57.11.3391	390 Ohm		1%, 0.25W, MF	
R...9	57.11.3391	390 Ohm		1%, 0.25W, MF	
R...10	57.11.3391	390 Ohm		1%, 0.25W, MF	
R...11	57.11.3391	390 Ohm		1%, 0.25W, MF	
R...15	57.11.3102	1 kOhm		1%, 0.25W, MF	
R...101	57.11.3391	390 Ohm		1%, 0.25W, MF	
R...102	57.11.3391	390 Ohm		1%, 0.25W, MF	
R...103	57.11.3391	390 Ohm		1%, 0.25W, MF	
R...104	57.11.3391	390 Ohm		1%, 0.25W, MF	
R...106	57.11.3391	390 Ohm		1%, 0.25W, MF	
R...110	57.11.3102	1 kOhm		1%, 0.25W, MF	
R...111	57.11.3102	1 kOhm		1%, 0.25W, MF	

S T U D E R (00) 91/07/12 GP COMMAND PANEL BOARD OVU(4CH) PL 1.727.666.82 PAGE 3

COMMAND PANEL BOARD UNCAL PBO (2CH) 1.727.667.82

IND.	POS.NO.	PART NO.	VALUE	SPECIFICATIONS / EQUIVALENT	MANUF.	IND.	POS.NO.	PART NO.	VALUE	SPECIFICATIONS / EQUIVALENT	MANUF.
A.....1	1.727.370.00			Display Board		R...101	57.11.3391	390 Ohm	1%, 0.25W, MF		
A.....2	1.727.180.00			Shuttle Control		R...102	57.11.3391	390 Ohm	1%, 0.25W, MF		
C.....1	59.06.0683	68 nF	10%	50 V PETP		R...103	57.11.3391	390 Ohm	1%, 0.25W, MF		
C.....2	59.22.3221	220 uF	-20%	10 V EL		R...104	57.11.3391	390 Ohm	1%, 0.25W, MF		
C.....3	59.22.3221	220 uF	-20%	10 V EL		R...105	57.11.3391	390 Ohm	1%, 0.25W, MF		
C.....4	59.22.3102	1000 uF	10%	50 V EL		R...106	57.11.3391	390 Ohm	1%, 0.25W, MF		
C.....15	59.06.0683	68 nF	10%	50 V PETP		R...107	57.11.3391	390 Ohm	1%, 0.25W, MF		
C.....25	59.06.0683	68 nF	10%	50 V PETP		R...108	57.11.3391	390 Ohm	1%, 0.25W, MF		
C.....26	59.45.4101	100 pF	10%	50 V CER		R...109	57.11.3391	390 Ohm	1%, 0.25W, MF		
C.....27	59.45.4101	100 pF	not used			R...110	57.11.3102	1 kOhm	1%, 0.25W, MF		
C.....28	59.45.4101	100 pF	10%	50 V CER		R...111	57.11.3102	1 kOhm	1%, 0.25W, MF		
C.....29	59.45.4101	100 pF	not used			S.....6	55.15.0130		Push button Switch		ITT
C.....30	59.45.4101	100 pF	10%	50 V CER		W....41	64.01.0106		Wire Bridge		
C.....31	59.45.4101	100 pF	10%	50 V CER		W....42	64.01.0106		Wire Bridge		
D.....1	50.04.0512	1N5918	30 V	Schottky		W....43	64.01.0106		Wire Bridge		
D.....30	50.04.0125	1N4448	50 V	SI		W....45	64.01.0106		Wire Bridge		
D.....31	50.04.0125	1N4448	50 V	SI		W....141			not used		
D.....32	50.04.0125	1N4448	50 V	SI		W....142			not used		
D.....33	50.04.0125	1N4448	50 V	SI		W....143			not used		
D.....34	50.04.0125	1N4448	50 V	SI		XIC...1	53.03.0168	16-Pole	IC Socket		
D.....35	50.04.0125	1N4448	50 V	SI		XIC...2	53.03.0168	16-Pole	IC Socket		
D.....36	50.04.0125	1N4448	50 V	SI		XIC...6	53.03.0168	16-Pole	IC Socket		
D.....37	50.04.0125	1N4448	50 V	SI		XIC...7	53.03.0168	16-Pole	IC Socket		
DL...7	50.04.2501	MV5452	LED grn	D=5 mm	GI	XIC...12	53.03.0168	16-Pole	IC Socket		
DL...8	50.04.2500	MV5352	LED yel	D=5 mm	GI						
DL...9	50.04.2500	MV5352	LED yel	D=5 mm	GI						
DL...10	50.04.2500	MV5352	LED yel	D=5 mm	GI						
DL...11	50.04.2500	MV5352	LED yel	D=5 mm	GI						
DL...12	50.04.2500	MV5352	LED yel	D=5 mm	GI						
DL...13	50.04.2500	MV5352	LED yel	D=5 mm	GI						
DL...14	50.04.2500	MV5352	LED yel	D=5 mm	GI						
DL...15	50.04.2500	MV5352	LED yel	D=5 mm	GI						
DL...16	50.04.2500	MV5352	LED yel	D=5 mm	GI						
DL...17	50.04.2500	MV5352	LED yel	D=5 mm	GI						

S T U D E R (00) 91/07/12 GP COMMAND PANEL BOARD UNCAL PBO PL 1.727.667.82 PAGE 1 S T U D E R (00) 91/07/12 GP COMMAND PANEL BOARD UNCAL PBO PL 1.727.667.82 PAGE 4

IND.	POS.NO.	PART NO.	VALUE	SPECIFICATIONS / EQUIVALENT	MANUF.
DL...41	50.04.2500	MV5352	LED yel	D=5 mm	GI
DL...42	50.04.2181	MV5352	LED grn	D=5 mm	GI
DL...43	50.04.2500	MV5352	LED yel	D=5 mm	GI
DL...44	50.04.2115	MV5752	LED red	D=5 mm	GI
DL...45	50.04.2500	MV5352	LED yel	D=5 mm	GI
DL...46	50.04.2500	MV5352	LED yel	D=5 mm	GI
DL...47	50.04.2115	MV5752	LED red	D=5 mm	GI
DL...48	50.04.2501	MV5452	LED grn	D=5 mm	GI
DL...49	50.04.2115	MV5752	LED red	D=5 mm	GI
IC...1	50.17.1595	74HC595	8-Bit Shift Register		TI
IC...2	50.17.1595	74HC595	8-Bit Shift Register		TI
IC...6	50.17.1595	74HC595	8-Bit Shift Register		TI
IC...7	50.17.1595	74HC595	8-Bit Shift Register		TI
IC...12	50.06.0596	74LS596	8-Bit Shift Register O.C.		TI
IC...13	50.17.1595	74HC595	8-Bit Shift Register		TI
J.....1	54.01.0287	3-Pole	CIS Socket Strip		AMP
J.....2	54.01.0288	5-Pole	CIS Socket Strip		AMP
J.....3	54.01.0237	20-Pole	CIS Socket Strip		AMP
J.....4	54.01.0237	20-Pole	CIS Socket Strip		AMP
JP...6	54.01.0021		Bridge		
JP...10	54.01.0021		Bridge		
JP...11	54.01.0021		Bridge		
JP...12	54.01.0021		Bridge		
JP...13	54.01.0021		Bridge		
JP...14	54.01.0021		Bridge		
JP...15	54.01.0021		Bridge		
JP...16	54.01.0021		Bridge		
JP...17	54.01.0021		Bridge		
JP...46			not used		
JP...48	54.01.0021		Bridge		
MP...1	54.01.0020	30 pcs	Contact Pin		
MP...2	1.011.235.03	3 pcs	Push button case 3a		
MP...4	1.011.235.05	2 pcs	Push button case 5a		

S T U D E R (00) 91/07/12 GP COMMAND PANEL BOARD UNCAL PBO PL 1.727.667.82 PAGE 2

IND.	POS.NO.	PART NO.	VALUE	SPECIFICATIONS / EQUIVALENT	MANUF.
MP...5	1.011.235.23	3 pcs	Conductive rubber 3a		
MP...7	1.011.235.25	2 pcs	Conductive rubber 5a		
MP...8	1.011.235.29	26 pcs	Bolt		
MP...9	1.011.235.30	21 pcs	Push button 14*5		
MP...10	1.011.235.31	6 pcs	Dummy calotte		
MP...11	1.011.235.32	3 pcs	Calotte red		
MP...12	1.011.235.33	14 pcs	Calotte yel		
MP...13	1.011.235.34	3 pcs	Calotte grn		
MP...14	1.727.360.02	1 pce	Push button case with Shuttle		
MP...15	1.727.360.03	1 pce	Conductive rubber with Shuttle		
MP...16	1.727.360.04	5 pcs	Push button 19*14		
MP...17	1.727.360.05	1 pce	Push button Adj.		
MP...18	1.727.667.10	1 pce	No. Label		
MP...19	1.727.660.12	1 pce	Command Panel PCB		
MP...20	53.03.0221	20 pcs	2-pole LED Socket		
MP...22	21.53.0354	2 pcs	Hexagon socket head cap screw M3*6		
MP...23	23.01.2032	2 pcs	Washer		
MP...24	24.16.1030	2 pcs	Fin washer		
MP...25	43.01.0108	1 pce	ESE Warning label		
MP...26	1.727.360.07	1 pce	Push button label, PLAY		
MP...27	1.727.360.08	1 pce	Push button label, STOP		
MP...28	1.727.364.02	1 pce	Push button label, blank (for S18)		
MP...29	1.727.360.19	2 pcs	Push button labels, FORWARD,REWIND		
R....1	57.11.3391	390 Ohm	1%, 0.25W, MF		
R....2	57.11.3391	390 Ohm	1%, 0.25W, MF		
R....3	57.11.3391	390 Ohm	1%, 0.25W, MF		
R....4	57.11.3391	390 Ohm	1%, 0.25W, MF		
R....5	57.11.3391	390 Ohm	1%, 0.25W, MF		
R....6	57.11.3391	390 Ohm	1%, 0.25W, MF		
R....7	57.11.3391	390 Ohm	1%, 0.25W, MF		
R....8	57.11.3391	390 Ohm	1%, 0.25W, MF		
R....9	57.11.3391	390 Ohm	1%, 0.25W, MF		
R....10	57.11.3391	390 Ohm	1%, 0.25W, MF		
R....11	57.11.3391	390 Ohm	1%, 0.25W, MF		
R....15	57.11.3102	1 kOhm	1%, 0.25W, MF		
R....55	57.11.3102	1 kOhm	1%, 0.25W, MF		

S T U D E R (00) 91/07/12 GP COMMAND PANEL BOARD UNCAL PBO PL 1.727.667.82 PAGE 3

COMMAND PANEL BOARD UNCAL BOARD MONO PBO (2CH) 1.727.668.82

IND.	POS.NO.	PART NO.	VALUE	SPECIFICATIONS / EQUIVALENT	MANUF.	IND.	POS.NO.	PART NO.	VALUE	SPECIFICATIONS / EQUIVALENT	MANUF.
A....1	1.727.370.00			Display Board		R...102	57.11.3391	390 Ohm	1%, 0.25W, MF		
A....2	1.727.180.00			Shuttle Control		R...103	57.11.3391	390 Ohm	1%, 0.25W, MF		
C....1	59.06.0683	68 nF	10X	50 V PETP		R...104	57.11.3391	390 Ohm	1%, 0.25W, MF		
C....2	59.22.3221	220 uF	-20%	10 V EL		R...105	57.11.3391	390 Ohm	1%, 0.25W, MF		
C....3	59.22.3221	220 uF	-20%	10 V EL		R...106	57.11.3391	390 Ohm	1%, 0.25W, MF		
C....4	59.22.3102	1000 uF	-20%	10 V EL		R...107	57.11.3391	390 Ohm	1%, 0.25W, MF		
C....15	59.06.0683	68 nF	10X	50 V PETP		R...108	57.11.3391	390 Ohm	1%, 0.25W, MF		
C....25	59.06.0683	68 nF	10X	50 V PETP		R...109	57.11.3391	390 Ohm	1%, 0.25W, MF		
C....26	59.45.4101	100 pF	10X	50 V CER		R...110	57.11.3102	1 kOhm	1%, 0.25W, MF		
C....27				not used		R...111	57.11.3102	1 kOhm	1%, 0.25W, MF		
C....28	59.45.4101	100 pF	10X	50 V CER		S....6	55.15.0130		Push button Switch	ITT	
C....29				not used		W....41	64.01.0106		Wire Bridge		
C....30	59.45.4101	100 pF	10X	50 V CER		W....42	64.01.0106		Wire Bridge		
C....31	59.45.4101	100 pF	10X	50 V CER		W....43	64.01.0106		Wire Bridge		
D....1	50.04.0512	1N5918	30 v	Schottky		W....46	64.01.0106		Wire Bridge		
D....30	50.04.0125	1N4448	50 V	SI		W....141			not used		
D....31	50.04.0125	1N4448	50 V	SI		W....142			not used		
D....32	50.04.0125	1N4448	50 V	SI		W....143			not used		
D....33	50.04.0125	1N4448	50 V	SI		XIC...1	53.03.0168	16-Pole	IC Socket		
D....34	50.04.0125	1N4448	50 V	SI		XIC...2	53.03.0168	16-Pole	IC Socket		
D....35	50.04.0125	1N4448	50 V	SI		XIC...6	53.03.0168	16-Pole	IC Socket		
D....36	50.04.0125	1N4448	50 V	SI		XIC...12	53.03.0168	16-Pole	IC Socket		
D....37	50.04.0125	1N4448	50 V	SI		XIC...13	53.03.0168	16-Pole	IC Socket		
DL...7	50.04.2501	MV5452		LED grn D=5 mm	GI						
DL...8	50.04.2501	MV5352		LED yel D=5 mm	GI						
DL...9	50.04.2501	MV5352		LED yel D=5 mm	GI						
DL...10	50.04.2501	MV5352		LED yel D=5 mm	GI						
DL...11	50.04.2501	MV5352		LED yel D=5 mm	GI						
DL...12	50.04.2501	MV5352		LED yel D=5 mm	GI						
DL...13	50.04.2501	MV5352		LED yel D=5 mm	GI						
DL...14	50.04.2501	MV5352		LED yel D=5 mm	GI						
DL...15	50.04.2501	MV5352		LED yel D=5 mm	GI						
DL...16	50.04.2501	MV5352		LED yel D=5 mm	GI						
DL...17	50.04.2501	MV5352		LED yel D=5 mm	GI						

CER=Ceramic, EL=Electrolytic, PETP=Polyester, SI=Silicon,
 MF=Metal Film, PCerm=Pot. Cermet,
 MANUFACTURER: AMP, GI=General Instrument, ITT, Not=Motorola,
 NS=National Semiconductor, Ph=Philips, Ra=Raytheon,
 TI=Texas Instruments

ORIG 91/07/12

S T U D E R (00) 91/07/12 GP COMMAND PAN.BOARD UNC MONO PBO PL 1.727.668.82 PAGE 1 S T U D E R (00) 91/07/12 GP COMMAND PAN.BOARD UNC MONO PBO PL 1.727.668.82 PAGE 4

IND.	POS.NO.	PART NO.	VALUE	SPECIFICATIONS / EQUIVALENT	MANUF.
DL...41	50.04.2500	MV5352		LED yel D=5 mm	GI
DL...42	50.04.2501	MV5452		LED grn D=5 mm	GI
DL...43	50.04.2500	MV5352		LED yel D=5 mm	GI
DL...44	50.04.2115	MV5752		LED red D=5 mm	GI
DL...45	50.04.2500	MV5352		LED yel D=5 mm	GI
DL...46	50.04.2500	MV5352		LED yel D=5 mm	GI
DL...47	50.04.2115	MV5752		LED red D=5 mm	GI
DL...48	50.04.2501	MV5452		LED grn D=5 mm	GI
IC...1	50.17.1595	74HC595		8-Bit Shift Register	TI
IC...2	50.17.1595	74HC595		8-Bit Shift Register	TI
IC...6	50.17.1595	74HC595		8-Bit Shift Register	TI
IC...12	50.06.0596	74LS596		8-Bit Shift Register O.C.	TI
IC...13	50.17.1595	74HC595		8-Bit Shift Register	TI
J....1	54.01.0287		3-Pole	CIS Socket Strip	AMP
J....2	54.01.0288		5-Pole	CIS Socket Strip	AMP
J....3	54.01.0237		20-Pole	CIS Socket Strip	AMP
J....4	54.01.0237		20-Pole	CIS Socket Strip	AMP
JP...6	54.01.0021			Bridge	
JP...10	54.01.0021			Bridge	
JP...11	54.01.0021			Bridge	
JP...12	54.01.0021			Bridge	
JP...13	54.01.0021			Bridge	
JP...14	54.01.0021			Bridge	
JP...15	54.01.0021			Bridge	
JP...16	54.01.0021			Bridge	
JP...17	54.01.0021			Bridge	
JP...46				not used	
JP...48	54.01.0021			Bridge	
MP...1	54.01.0020		30 pcs	Contact Pin	
MP...2	1.011.235.03		3 pcs	Push button case 3*	
MP...4	1.011.235.05		2 pcs	Push button case 5*	
MP...5	1.011.235.23		2 pcs	Conductive rubber 3*	
MP...7	1.011.235.25		2 pcs	Conductive rubber 5*	

S T U D E R (00) 91/07/12 GP COMMAND PAN.BOARD UNC MONO PBO PL 1.727.668.82 PAGE 2

IND.	POS.NO.	PART NO.	VALUE	SPECIFICATIONS / EQUIVALENT	MANUF.
MP...8	1.011.235.29		25 pcs	Bolt	
MP...9	1.011.235.30		20 pcs	Push button 14*5	
MP...10	1.011.235.31		6 pcs	Dummy calotte	
MP...11	1.011.235.32		2 pcs	Calotte red	
MP...12	1.011.235.33		14 pcs	Calotte yel	
MP...13	1.011.235.34		3 pcs	Calotte grn	
MP...14	1.727.360.02		1 pce	Push button case with Shuttle	
MP...15	1.727.360.03		1 pce	Conductive rubber with Shuttle	
MP...16	1.727.360.04		5 pcs	Push button 19*14	
MP...17	1.727.360.05		1 pce	Push button Adj.	
MP...18	1.727.668.10		1 pce	No. Label	
MP...19	1.727.660.12		1 pce	Command Panel PCB	
MP...20	53.03.0221		19 pcs	2-pole LED Socket	
MP...22	21.53.0354		2 pcs	Hexagon socket head cap screw M3*6	
MP...23	23.01.2032		2 pcs	Washer	
MP...24	24.16.1030		2 pcs	Pin washer	
MP...25	43.01.0108		1 pce	ESE Warning label	
MP...26	1.727.360.07		1 pce	Push button label , PLAY	
MP...27	1.727.360.08		1 pce	Push button label , STOP	
MP...28	1.727.364.02		1 pce	Push button label , blank (for S18)	
MP...29	1.727.360.19		2 pcs	Push button labels, FORWARD,REWIND	
MP...30	1.011.235.35		1 pce	Dummy push button 19*5	
R....1	57.11.3391	390 Ohm		1%, 0.25W, MF	
R....2	57.11.3391	390 Ohm		1%, 0.25W, MF	
R....3	57.11.3391	390 Ohm		1%, 0.25W, MF	
R....4	57.11.3391	390 Ohm		1%, 0.25W, MF	
R....5	57.11.3391	390 Ohm		1%, 0.25W, MF	
R....6	57.11.3391	390 Ohm		1%, 0.25W, MF	
R....7	57.11.3391	390 Ohm		1%, 0.25W, MF	
R....8	57.11.3391	390 Ohm		1%, 0.25W, MF	
R....9	57.11.3391	390 Ohm		1%, 0.25W, MF	
R....10	57.11.3391	390 Ohm		1%, 0.25W, MF	
R....11	57.11.3391	390 Ohm		1%, 0.25W, MF	
R....15	57.11.3102	1 kOhm		1%, 0.25W, MF	
R....55	57.11.3102	1 kOhm		1%, 0.25W, MF	
R....101	57.11.3391	390 Ohm		1%, 0.25W, MF	

S T U D E R (00) 91/07/12 GP COMMAND PAN.BOARD UNC MONO PBO PL 1.727.668.82 PAGE 3

COMMAND PANEL BOARD OVU TC (2CH) 1.727.760.82

IND.	POS.NO.	PART NO.	VALUE	SPECIFICATIONS / EQUIVALENT	MANUF.	IND.	POS.NO.	PART NO.	VALUE	SPECIFICATIONS / EQUIVALENT	MANUF.
A....1	1.727.370.00			Display Board		R...108	57.11.3391	390 Ohm	1%, 0.25W, MF		
A....2	1.727.180.00			Shuttle Control		R...110	57.11.3102	1 kOhm	1%, 0.25W, MF		
C.....1	59.06.0683	68 nF	10X	50 V PETP		R...111	57.11.3102	1 kOhm	1%, 0.25W, MF		
C.....2	59.22.3221	220 uF	-20X	10 V EL		S.....6	55.15.0130		Push button Switch	ITT	
C.....3	59.22.3221	220 uF	-20X	10 V EL		W....41			not used		
C.....4	59.22.3102	1000 uF	-20X	10 V EL		W....42			not used		
C.....25	59.06.0683	68 nF	10X	50 V PETP		W....43			not used		
C.....26	59.45.4101	100 pF	10X	50 V CER		W....46	64.01.0106		Wire Bridge		
C.....27				not used		W....141	64.01.0106		Wire Bridge		
C.....28	59.45.4101	100 pF	10X	50 V CER		W....142	64.01.0106		Wire Bridge		
C.....29				not used		W....143	64.01.0106		Wire Bridge		
C.....30	59.45.4101	100 pF	10X	50 V CER		XIC...1	53.03.0168	16-Pole	IC Socket		
D....1	50.04.0512	1N5818		30 V Schottky		XIC...2	53.03.0168	16-Pole	IC Socket		
D....30	50.04.0125	1N4448		50 V SI		XIC...11	53.03.0168	16-Pole	IC Socket		
D....31	50.04.0125	1N4448		50 V SI		XIC...12	53.03.0168	16-Pole	IC Socket		
D....32	50.04.0125	1N4448		50 V SI		XIC...13	53.03.0168	16-Pole	IC Socket		
D....33	50.04.0125	1N4448		50 V SI							
D....34	50.04.0125	1N4448		50 V SI							
D....35	50.04.0125	1N4448		50 V SI							
D....36	50.04.0125	1N4448		50 V SI							
D....37	50.04.0125	1N4448		50 V SI							
DL....7	50.04.2501	MV5452		LED grn D=5 mm	GI						
DL....8	50.04.2500	MV5352		LED yel D=5 mm	GI						
DL....9	50.04.2500	MV5352		LED yel D=5 mm	GI						
DL....10	50.04.2500	MV5352		LED yel D=5 mm	GI						
DL....11	50.04.2500	MV5352		LED yel D=5 mm	GI						
DL....12	50.04.2500	MV5352		LED yel D=5 mm	GI						
DL....13	50.04.2500	MV5352		LED yel D=5 mm	GI						
DL....14	50.04.2500	MV5352		LED yel D=5 mm	GI						
DL....15	50.04.2500	MV5352		LED yel D=5 mm	GI						
DL....16	50.04.2500	MV5352		LED yel D=5 mm	GI						
DL....17	50.04.2500	MV5352		LED yel D=5 mm	GI						
DL....18	50.04.2115	MV5752		LED red D=5 mm	GI						
DL....41	50.04.2115	MV5752		LED red D=5 mm	GI						

CER=Ceramic, EL=Electrolytic, PETP=Polyester, SI=Silicon,
 MF=Metall Film, PC=Polycarbonate, CERMET
 MANUFACTURER: AMP, GI=General Instrument, ITT, Mot=Motorola,
 NS=National Semiconductor, Ph=Philips, Ra=Raytheon,
 TI=Texas Instruments

S T U D E R (00) 91/07/12 GP COMMAND PANEL BOARD OVU TC PL 1.727.760.82 PAGE 1 S T U D E R (00) 91/07/12 GP COMMAND PANEL BOARD OVU TC PL 1.727.760.82 PAGE 4

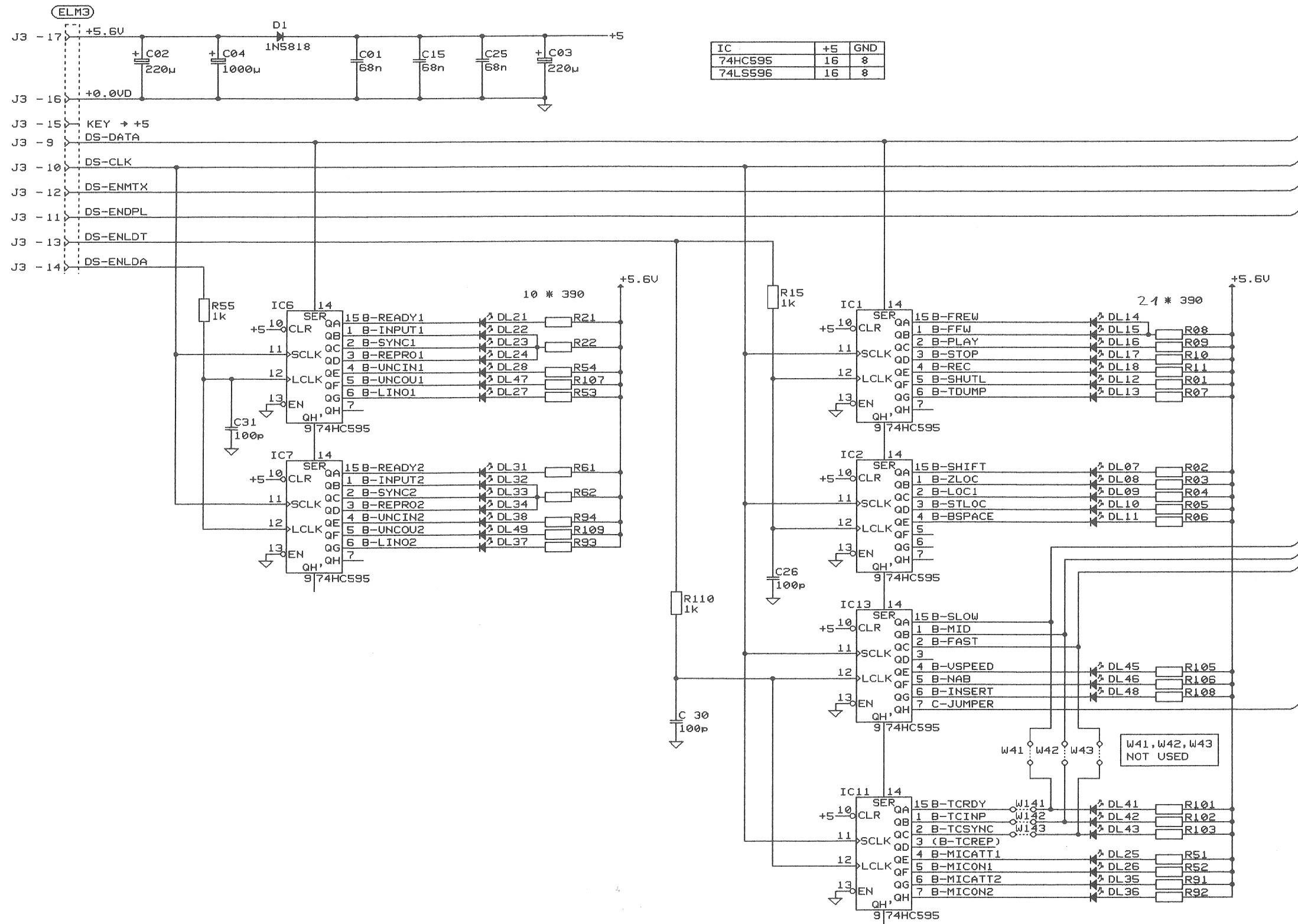
IND.	POS.NO.	PART NO.	VALUE	SPECIFICATIONS / EQUIVALENT	MANUF.
DL...42	50.04.2500	MV5352		LED yel D=5 mm	GI
DL...43	50.04.2500	MV5352		LED yel D=5 mm	GI
DL...45	50.04.2115	MV5752		LED red D=5 mm	GI
DL...46	50.04.2500	MV5352		LED yel D=5 mm	GI
DL...48	50.04.2501	MV5452		LED grn D=5 mm	GI
IC...1	50.17.1595	74HC595		8-Bit Shift Register	TI
IC...2	50.17.1595	74HC595		8-Bit Shift Register	TI
IC...11	50.17.1595	74HC595		8-Bit Shift Register	TI
IC...12	50.06.0596	74LS596		8-Bit Shift Register O.C.	TI
IC...13	50.17.1595	74HC595		8-Bit Shift Register	TI
J....1	54.01.0287	3-Pole		CIS Socket Strip	AMP
J....2	54.01.0288	5-Pole		CIS Socket Strip	AMP
J....3	54.01.0237	20-Pole		CIS Socket Strip	AMP
J....4	54.01.0237	20-Pole		CIS Socket Strip	AMP
JP...6	54.01.0021			Bridge	
JP...10	54.01.0021			Bridge	
JP...11	54.01.0021			Bridge	
JP...12	54.01.0021			Bridge	
JP...13	54.01.0021			Bridge	
JP...14	54.01.0021			Bridge	
JP...15	54.01.0021			Bridge	
JP...16	54.01.0021			Bridge	
JP...17	54.01.0021			Bridge	
JP...46				not used	
JP...48	54.01.0021			Bridge	
MP...1	54.01.0020	30 pcs		Contact Pin	
MP...2	1.011.235.03	3 pcs		Push button case 3#	
MP...4	1.011.235.05	2 pcs		Push button case 5#	
MP...5	1.011.235.23	3 pcs		Conductive rubber 3#	
MP...7	1.011.235.25	2 pcs		Conductive rubber 5#	
MP...8	1.011.235.29	24 pcs		Bolt	
MP...9	1.011.235.30	19 pcs		Push button 14#5	
MP...10	1.011.235.31	6 pcs		Dummy calotte	

S T U D E R (00) 91/07/12 GP COMMAND PANEL BOARD OVU TC PL 1.727.760.82 PAGE 2

IND.	POS.NO.	PART NO.	VALUE	SPECIFICATIONS / EQUIVALENT	MANUF.
MP...11	1.011.235.32	3 pcs		Calotte red	
MP...12	1.011.235.33	13 pcs		Calotte yel	
MP...13	1.011.235.34	2 pcs		Calotte grn	
MP...14	1.727.360.02	1 pcs		Push button case with Shuttle	
MP...15	1.727.360.03	1 pcs		Conductive rubber with Shuttle	
MP...16	1.727.360.04	5 pcs		Push button 19#14	
MP...17	1.727.360.05	1 pcs		Push button Adj.	
MP...18	1.727.760.10	1 pcs		No. Label	
MP...19	1.727.660.12	1 pcs		Command Panel PCB	
MP...20	53.03.0221	18 pcs		2-pole LED Socket	
MP...22	21.53.0354	2 pcs		Hexagon socket head cap screw M3x6	
MP...23	23.01.2032	2 pcs		Washer	
MP...24	24.16.1030	2 pcs		Fin washer	
MP...25	43.01.0108	1 pcs		ESE Warning label	
MP...26	1.727.360.07	1 pcs		Push button label , PLAY	
MP...27	1.727.360.08	1 pcs		Push button label , STOP	
MP...28	1.727.360.09	1 pcs		Push button label , RECORD	
MP...29	1.727.360.19	2 pcs		Push button labels, FORWARD,REWIND	
MP...30	1.011.235.35	2 pcs		Dummy push button 19#5	
R....1	57.11.3391	390 Ohm		1%, 0.25W, MF	
R....2	57.11.3391	390 Ohm		1%, 0.25W, MF	
R....3	57.11.3391	390 Ohm		1%, 0.25W, MF	
R....4	57.11.3391	390 Ohm		1%, 0.25W, MF	
R....5	57.11.3391	390 Ohm		1%, 0.25W, MF	
R....6	57.11.3391	390 Ohm		1%, 0.25W, MF	
R....7	57.11.3391	390 Ohm		1%, 0.25W, MF	
R....8	57.11.3391	390 Ohm		1%, 0.25W, MF	
R....9	57.11.3391	390 Ohm		1%, 0.25W, MF	
R....10	57.11.3391	390 Ohm		1%, 0.25W, MF	
R....11	57.11.3391	390 Ohm		1%, 0.25W, MF	
R....15	57.11.3102	1 kOhm		1%, 0.25W, MF	
R....101	57.11.3391	390 Ohm		1%, 0.25W, MF	
R....102	57.11.3391	390 Ohm		1%, 0.25W, MF	
R....103	57.11.3391	390 Ohm		1%, 0.25W, MF	
R....105	57.11.3391	390 Ohm		1%, 0.25W, MF	
R....106	57.11.3391	390 Ohm		1%, 0.25W, MF	

S T U D E R (00) 91/07/12 GP COMMAND PANEL BOARD OVU TC PL 1.727.760.82 PAGE 3

COMMAND PANEL BOARD 2VU TC (2CH) 1.727.762.82

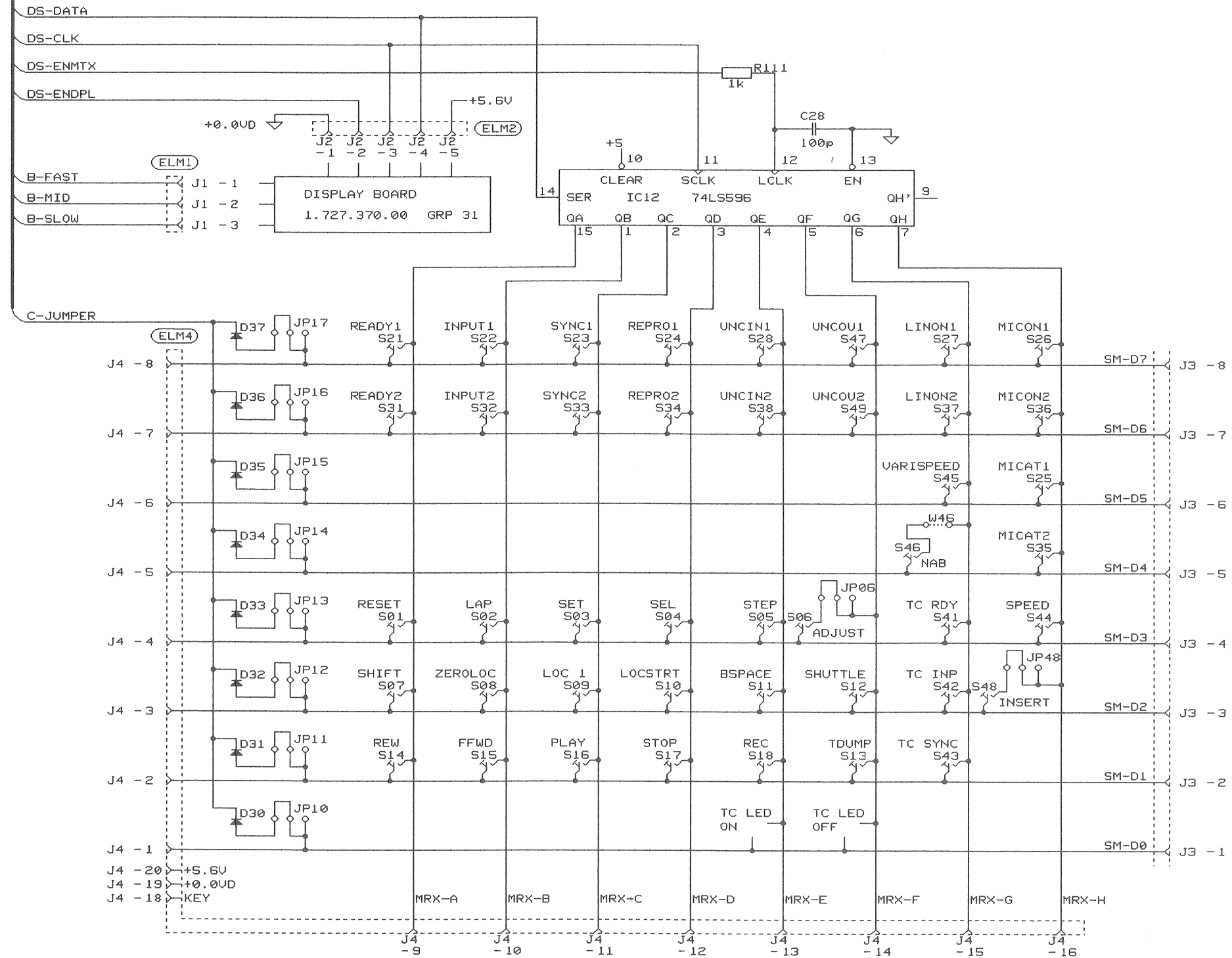


PAGE 2

© 12.07.91 GP	①	②	○	○
A 807-TC GR 30		PAGE 1 OF 3		
STUDER	COMMAND PANEL BOARD 2 VU TC	SCH	1.727.762-82	

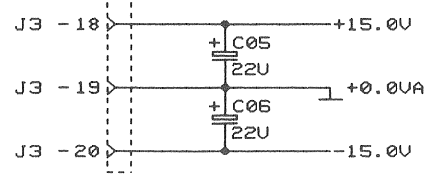
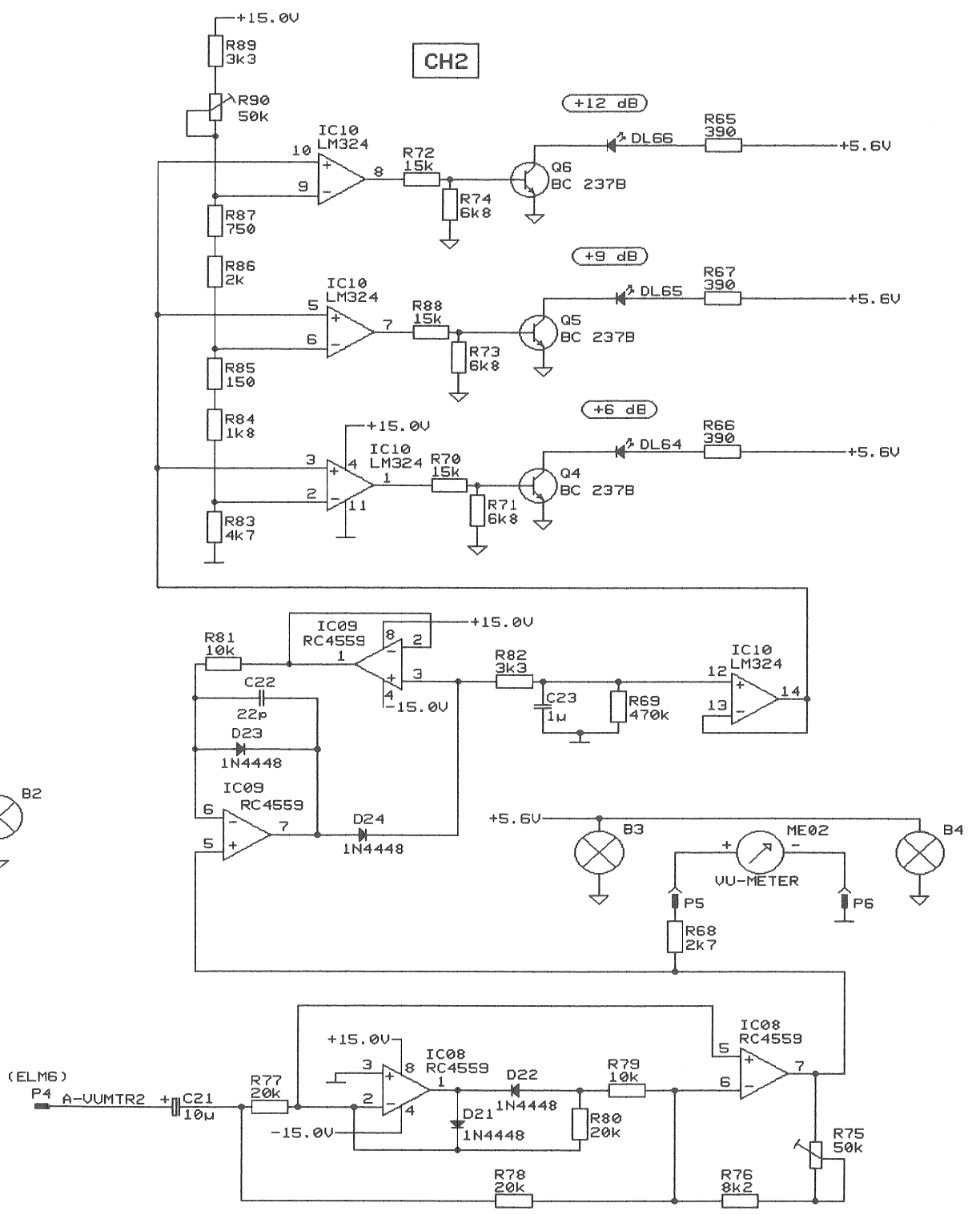
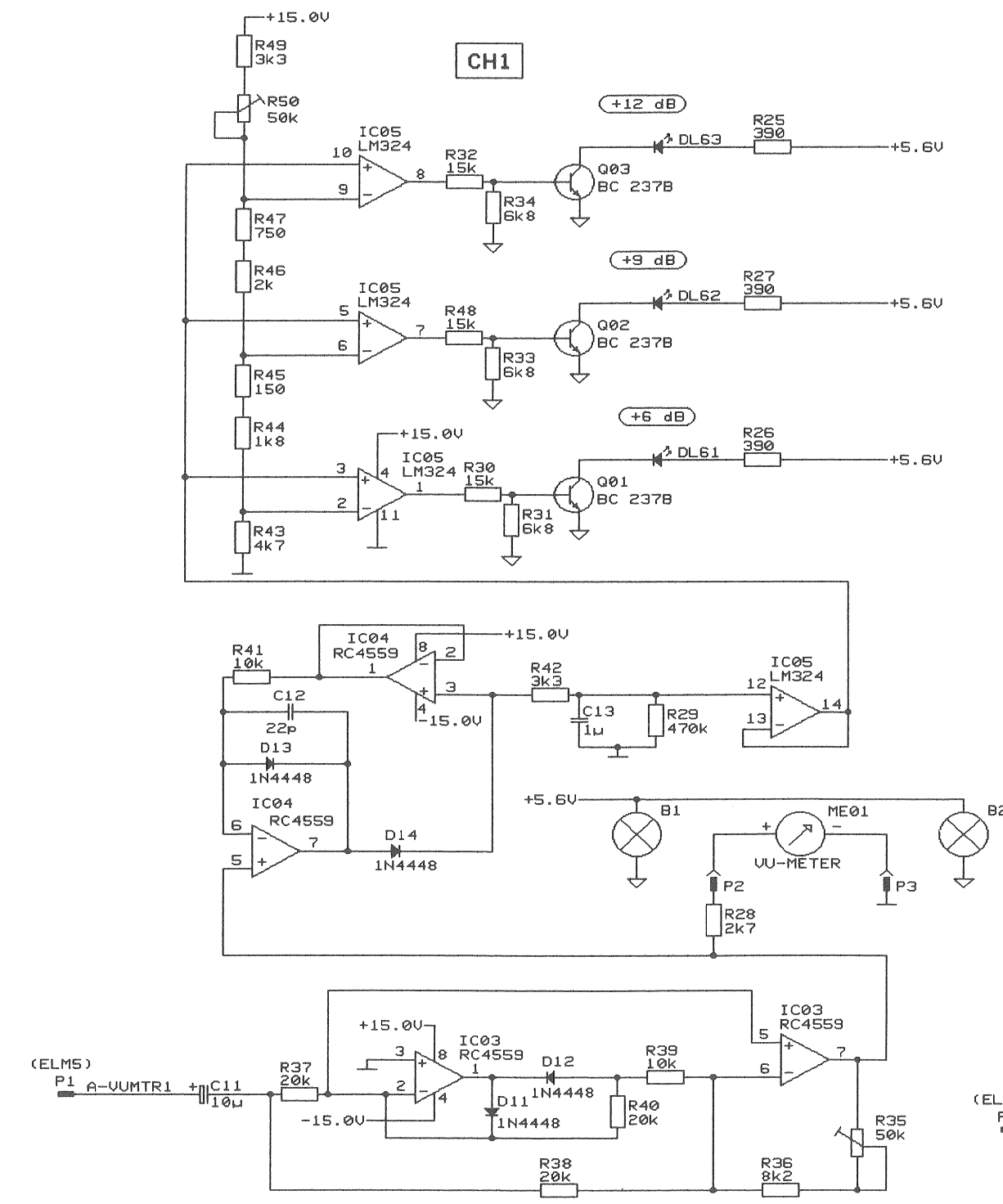
COMMAND PANEL BOARD 2VU TC (2CH) 1.727.762.82

PAGE 1



© 12.07.91 GP	①	②	○	○
	A 807-TC GR 30			PAGE 2 OF 3
STUDER		COMMAND PANEL BOARD 2 VU TC		SCH 1.727.762-82

COMMAND PANEL BOARD 2VU TC (2CH) 1.727.762.82



① 12.07.91 GP	①	②	○	○
A 807-TC GR 30		PAGE 3 OF 3		
STUDER		COMMAND PANEL BOARD 2 UU TC	SCH	1.727.762-82

STUDER A807 MKII

COMMAND PANEL BOARD 2VU TC (2CH) 1.727.762.82

IND.	POS.NO.	PART NO.	VALUE	SPECIFICATIONS / EQUIVALENT	MANUF.	IND.	POS.NO.	PART NO.	VALUE	SPECIFICATIONS / EQUIVALENT	MANUF.	IND.	POS.NO.	PART NO.	VALUE	SPECIFICATIONS / EQUIVALENT	MANUF.
A....1	1.727.370.00			Display Board		JP...11	54.01.0021			Bridge		R...72	57.11.3153		15 kOhm	1% 0.25W, MF	
A....2	1.727.180.00			Shuttle Control		JP...12	54.01.0021			Bridge		R...73	57.11.3682		6.8 kOhm	1% 0.25W, MF	
B....1	51.02.0144	6 V	0.03 A	Lamp		JP...13	54.01.0021			Bridge		R...74	57.11.3682		6.8 kOhm	1% 0.25W, MF	
B....2	51.02.0144	6 V	0.03 A	Lamp		JP...14	54.01.0021			Bridge		R...75	58.01.8503		50 kOhm	10% 0.5 W, PCerm	
B....3	51.02.0144	6 V	0.03 A	Lamp		JP...15	54.01.0021			Bridge		R...76	57.11.3022		8.2 kOhm	1% 0.25W, MF	
B....4	51.02.0144	6 V	0.03 A	Lamp		JP...16	54.01.0021			Bridge		R...77	57.11.3203		20 kOhm	1% 0.25W, MF	
C....1	59.06.0683	68 nF	10X	50 V PETP		JP...17	54.01.0021			not used		R...78	57.11.3203		20 kOhm	1% 0.25W, MF	
C....2	59.22.3221	220 uF	-20X	10 V EL		JP...46	54.01.0021			Bridge		R...79	57.11.3103		10 kOhm	1% 0.25W, MF	
C....3	59.22.3102	1000 uF	-20X	10 V EL		ME...1	1.727.360.01			VU Meter		R...80	57.11.3203		20 kOhm	1% 0.25W, MF	
C....4	59.22.5220	22 uF	-20X	25 V EL		ME...2	1.727.360.01			VU Meter		R...81	57.11.3103		10 kOhm	1% 0.25W, MF	
C....5	59.22.5220	22 uF	-20X	25 V EL		NP...1	54.01.0020	30 pcs		Contact Pin		R...82	57.11.3332		3.3 kOhm	1% 0.25W, MF	
C....6	59.22.6100	10 uF	-20X	25 V EL		NP...2	1.011.235.03	3 pcs		Push button case 3x		R...83	57.11.3472		4.7 kOhm	1% 0.25W, MF	
C....11	59.34.2220	22 uF	10X	50 V CER		NP...3	1.011.235.04	4 pcs		Push button case 4x		R...84	57.11.3182		1.8 kOhm	1% 0.25W, MF	
C....12	59.34.2220	22 uF	10X	50 V CER		NP...4	1.011.235.05	2 pcs		Push button case 5x		R...85	57.11.3151		150 Ohm	1% 0.25W, MF	
C....13	59.06.0683	68 nF	10X	50 V PETP		NP...5	1.011.235.23	3 pcs		Conductive rubber 3x		R...86	57.11.3202		2 kOhm	1% 0.25W, MF	
C....21	59.22.6100	10 uF	-20X	25 V EL		NP...6	1.011.235.24	4 pcs		Conductive rubber 4x		R...87	57.11.3751		750 Ohm	1% 0.25W, MF	
C....22	59.34.2220	22 uF	10X	50 V CER		NP...7	1.011.235.25	2 pcs		Conductive rubber 5x		R...88	57.11.3153		15 kOhm	1% 0.25W, MF	
C....23	59.06.0105	100 pF	10X	50 V PETP		NP...8	1.011.235.29	42 pcs		Belt		R...89	57.11.3332		3.3 kOhm	1% 0.25W, MF	
C....25	59.06.0683	68 nF	10X	50 V PETP		NP...9	1.011.235.30	37 pcs		Push button 14x5		R...90	58.01.8503		50 kOhm	10% 0.5 W, PCerm	
C....26	59.45.4101	100 pF	10X	50 V CER		NP...10	1.011.235.31	6 pcs		Dummy calotte		R...91	57.11.3391		390 Ohm	1% 0.25W, MF	
C....27	59.45.4101	100 pF	10X	50 V CER		NP...11	1.011.235.32	9 pcs		Calotte red		R...92	57.11.3391		390 Ohm	1% 0.25W, MF	
C....28	59.45.4101	100 pF	10X	50 V CER		NP...12	1.011.235.33	25 pcs		Calotte yel		R...93	57.11.3391		390 Ohm	1% 0.25W, MF	
C....29	59.45.4101	100 pF	10X	50 V CER		NP...13	1.011.235.34	2 pcs		Calotte grn		R...94	57.11.3391		390 Ohm	1% 0.25W, MF	
C....30	59.45.4101	100 pF	10X	50 V CER		NP...14	1.727.360.02	1 pc		Push button case with Shuttle		R...101	57.11.3391		390 Ohm	1% 0.25W, MF	
C....31	59.45.4101	100 pF	10X	50 V CER		NP...15	1.727.360.03	1 pc		Conductive rubber with Shuttle		R...102	57.11.3391		390 Ohm	1% 0.25W, MF	
D....1	50.04.0512	1M4448	30 V	Schottky		NP...16	1.727.360.04	5 pcs		Push button 19x14		R...103	57.11.3391		390 Ohm	1% 0.25W, MF	
D....11	50.04.0125	1M4448	50 V	SI		NP...17	1.727.360.05	1 pc		Push button Adj.		R...108	57.11.3391		390 Ohm	1% 0.25W, MF	
D....12	50.04.0125	1M4448	50 V	SI		NP...18	1.727.762.18	1 pc		No. Label		R...109	57.11.3391		390 Ohm	1% 0.25W, MF	
D....13	50.04.0125	1M4448	50 V	SI		NP...19	1.727.660.12	1 pc		Command Panel PCB		R...106	57.11.3391		390 Ohm	1% 0.25W, MF	
D....14	50.04.0125	1M4448	50 V	SI		NP...20	53.03.0221	42 pcs		2-pole LED Socket		R...107	57.11.3391		390 Ohm	1% 0.25W, MF	
D....21	50.04.0125	1M4448	50 V	SI		NP...21	1.727.362.93	2 pcs		L-EST Command Panel Board		R...110	57.11.3391		390 Ohm	1% 0.25W, MF	
D....22	50.04.0125	1M4448	50 V	SI		NP...22	21.53.0354	2 pcs		Hexagon socket head cap screw M3x6		R...111	57.11.3102		1 kOhm	1% 0.25W, MF	
D....23	50.04.0125	1M4448	50 V	SI		NP...23	23.01.2032	2 pcs		Washer		S....6	55.15.0130			Push button Switch	ITT
D....24	50.04.0125	1M4448	50 V	SI		NP...24	24.16.1030	2 pcs		Fin washer		W....41			not used		

S T U D E R (00) 91/07/12 GP COMMAND PANEL BOARD 2VU TC PL 1.727.762.82 PAGE 1 S T U D E R (00) 91/07/12 GP COMMAND PANEL BOARD 2VU TC PL 1.727.762.82 PAGE 4 S T U D E R (00) 91/07/12 GP COMMAND PANEL BOARD 2VU TC PL 1.727.762.82 PAGE 7

IND.	POS.NO.	PART NO.	VALUE	SPECIFICATIONS / EQUIVALENT	MANUF.	IND.	POS.NO.	PART NO.	VALUE	SPECIFICATIONS / EQUIVALENT	MANUF.	IND.	POS.NO.	PART NO.	VALUE	SPECIFICATIONS / EQUIVALENT	MANUF.
D....24	50.04.0125	1M4448	50 V	SI		NP...25	43.01.0108	1 pc		ESE Warning label		W....42				not used	
D....30	50.04.0125	1M4448	50 V	SI		NP...26	1.727.360.07	1 pc		Push button label, PLAY		W....43				not used	
D....31	50.04.0125	1M4448	50 V	SI		NP...27	1.727.360.08	1 pc		Push button label, STOP		W....46	64.01.0106			Wire Bridge	
D....32	50.04.0125	1M4448	50 V	SI		NP...28	1.727.360.09	1 pc		Push button label, RECORD		W....141	64.01.0106			Wire Bridge	
D....33	50.04.0125	1M4448	50 V	SI		NP...29	1.727.360.19	2 pcs		Push button label, FORWARD-REWIND		W....142	64.01.0106			Wire Bridge	
D....34	50.04.0125	1M4448	50 V	SI		P....1	54.02.0320			Plug 2.8A0.8	ANP	W....143	64.01.0106			Wire Bridge	
D....35	50.04.0125	1M4448	50 V	SI		P....2	54.02.0320			Plug 2.8A0.8	ANP	XB....1	53.04.0107			Lamp holder	
D....36	50.04.0125	1M4448	50 V	SI		P....3	54.02.0320			Plug 2.8A0.8	ANP	XB....2	53.04.0107			Lamp holder	
D....37	50.04.0125	1M4448	50 V	SI		P....4	54.02.0320			Plug 2.8A0.8	ANP	XB....3	53.04.0107			Lamp holder	
DL...7	50.04.2501	MV5452	LED grn D=5 mm	GI		P....5	54.02.0320			Plug 2.8A0.8	ANP	XB....4	53.04.0107			Lamp holder	
DL...8	50.04.2500	MV5352	LED yel D=5 mm	GI		P....6	54.02.0320			Plug 2.8A0.8	ANP	XIC...1	53.03.0168		16-Pole	IC Socket	
DL...9	50.04.2500	MV5352	LED yel D=5 mm	GI		Q....1	50.03.0436	BC237B	BC547B, BC550B	NPN	XIC...2	53.03.0168		16-Pole	IC Socket		
DL...10	50.04.2500	MV5352	LED yel D=5 mm	GI		Q....2	50.03.0436	BC237B	BC547B, BC550B	NPN	XIC...3	53.03.0166		8-Pole	IC Socket		
DL...11	50.04.2500	MV5352	LED yel D=5 mm	GI		Q....3	50.03.0436	BC237B	BC547B, BC550B	NPN	XIC...4	53.03.0166		8-Pole	IC Socket		
DL...12	50.04.2500	MV5352	LED yel D=5 mm	GI		Q....4	50.03.0436	BC237B	BC547B, BC550B	NPN	XIC...5	53.03.0167		14-Pole	IC Socket		
DL...13	50.04.2500	MV5352	LED yel D=5 mm	GI		Q....5	50.03.0436	BC237B	BC547B, BC550B	NPN	XIC...6	53.03.0168		16-Pole	IC Socket		
DL...14	50.04.2500	MV5352	LED yel D=5 mm	GI		Q....6	50.03.0436	BC237B	BC547B, BC550B	NPN	XIC...7	53.03.0168		16-Pole	IC Socket		
DL...15	50.04.2500	MV5352	LED yel D=5 mm	GI		R....1	57.11.3391	390 Ohm	1% 0.25W, MF	XIC...8	53.03.0166		8-Pole	IC Socket			
DL...16	50.04.2500	MV5352	LED yel D=5 mm	GI		R....2	57.11.3391	390 Ohm	1% 0.25W, MF	XIC...9	53.03.0166		8-Pole	IC Socket			
DL...17	50.04.2500	MV5352	LED yel D=5 mm	GI		R....3	57.11.3391	390 Ohm	1% 0.25W, MF	XIC...10	53.03.0167		14-Pole	IC Socket			
DL...18	50.04.2115	MV5752	LED red D=5 mm	GI		R....4	57.11.3391	390 Ohm	1% 0.25W, MF	XIC...11	53.03.0168		16-Pole	IC Socket			
DL...19	50.04.2115	MV5752	LED red D=5 mm	GI		R....5	57.11.3391	390 Ohm	1% 0.25W, MF	XIC...12	53.03.0168		16-Pole	IC Socket			
DL...20	50.04.2500	MV5352	LED yel D=5 mm	GI		R....6	57.11.3391	390 Ohm	1% 0.25W, MF	XIC...13	53.03.0168		16-Pole	IC Socket			
DL...21	50.04.2500	MV5352	LED yel D=5 mm	GI		R....7	57.11.3391	390 Ohm	1% 0.25W, MF								
DL...22	50.04.2500	MV5352	LED yel D=5 mm	GI		R....8	57.11.3391	390 Ohm	1% 0.25W, MF								
DL...23	50.04.2500	MV5352	LED yel D=5 mm	GI		R....9	57.11.3391	390 Ohm	1% 0.25W, MF								
DL...24	50.04.2500	MV5352	LED yel D=5 mm	GI		R....10	57.11.3391	390 Ohm	1% 0.25W, MF								
DL...25	50.04.2500	MV5352	LED yel D=5 mm	GI		R....11	57.11.3391	390 Ohm	1% 0.25W, MF								
DL...26	50.04.2500	MV5352	LED yel D=5 mm	GI		R....12	57.11.3391	390 Ohm	1% 0.25W, MF								
DL...27	50.04.2500	MV5352	LED yel D=5 mm	GI		R....13	57.11.3391	390 Ohm	1% 0.25W, MF								
DL...28	50.04.2115	MV5752	LED red D=5 mm	GI		R....14	57.11.3391	390 Ohm	1% 0.25W, MF								
DL...29	50.04.2115	MV5752	LED red D=5 mm	GI		R....15	57.11.3102	1 kOhm	1% 0.25W, MF								
DL...30	50.04.2500	MV5352	LED yel D=5 mm	GI		R....16	57.11.3391	390 Ohm	1% 0.25W, MF								
DL...31	50.04.2115	MV5752	LED red D=5 mm	GI													

COMMAND PANEL BOARD 2/2 TC (2CH) 1.727.763.82

IND.	POS.NO.	PART NO.	VALUE	SPECIFICATIONS / EQUIVALENT	MANUF.	IND.	POS.NO.	PART NO.	VALUE	SPECIFICATIONS / EQUIVALENT	MANUF.
A.....1	1.727.370.00			Display Board		R....4	57.11.3391	390	Ohm	1% 0.25W MF	
A.....2	1.727.180.00			Shuttle Control		R.....5	57.11.3391	390	Ohm	1% 0.25W MF	
C.....1	59.06.0683	68 nF	10X	50 V PETP		R.....6	57.11.3391	390	Ohm	1% 0.25W MF	
C.....2	59.22.3221	220 uF	-20%	10 V EL		R.....7	57.11.3391	390	Ohm	1% 0.25W MF	
C.....3	59.22.3221	220 uF	-20%	10 V EL		R.....8	57.11.3391	390	Ohm	1% 0.25W MF	
C.....4	59.22.3102	1000 uF	-20%	10 V EL		R.....9	57.11.3391	390	Ohm	1% 0.25W MF	
C.....15	59.06.0683	68 nF	10X	50 V PETP		R....10	57.11.3391	390	Ohm	1% 0.25W MF	
C....25	59.06.0683	68 nF	10X	50 V PETP		R....11	57.11.3391	390	Ohm	1% 0.25W MF	
C....26	59.45.4101	100 pF	10X	50 V CER		R....15	57.11.3102	1	kOhm	1% 0.25W MF	
C....27				not used		R....21	57.11.3391	390	Ohm	1% 0.25W MF	
C....28	59.45.4101	100 pF	10X	50 V CER		R....22	57.11.3391	390	Ohm	1% 0.25W MF	
C....29				not used		R....55	57.11.3102	1	kOhm	1% 0.25W MF	
C....30	59.45.4101	100 pF	10X	50 V CER		R....61	57.11.3391	390	Ohm	1% 0.25W MF	
C....31	59.45.4101	100 pF	10X	50 V CER		R....62	57.11.3391	390	Ohm	1% 0.25W MF	
D....1	50.04.0512	1N5818		30 V Schottky		R....101	57.11.3391	390	Ohm	1% 0.25W MF	
D....30		1N4448		50 V SI		R....102	57.11.3391	390	Ohm	1% 0.25W MF	
D....31	50.04.0125	1N4448		50 V SI		R....103	57.11.3391	390	Ohm	1% 0.25W MF	
D....32	50.04.0125	1N4448		50 V SI		R....105	57.11.3391	390	Ohm	1% 0.25W MF	
D....33	50.04.0125	1N4448		50 V SI		R....108	57.11.3391	390	Ohm	1% 0.25W MF	
D....34	50.04.0125	1N4448		50 V SI		R....110	57.11.3102	1	kOhm	1% 0.25W MF	
D....35	50.04.0125	1N4448		50 V SI		R....111	57.11.3102	1	kOhm	1% 0.25W MF	
D....36	50.04.0125	1N4448		50 V SI		S....6	55.15.0130			Push button Switch	ITT
D....37	50.04.0125	1N4448		50 V SI		W....41				not used	
DL....7	50.04.2501	MV5452		LED grn D=5 mm	GI	W....42				not used	
DL....8	50.04.2500	MV5352		LED yel D=5 mm	GI	W....43				not used	
DL....9	50.04.2500	MV5352		LED yel D=5 mm	GI	W....46	64.01.0106			Wire Bridge	
DL....10	50.04.2500	MV5352		LED yel D=5 mm	GI	W....141	64.01.0106			Wire Bridge	
DL....11	50.04.2500	MV5352		LED yel D=5 mm	GI	W....142	64.01.0106			Wire Bridge	
DL....12	50.04.2500	MV5352		LED yel D=5 mm	GI	W....143	64.01.0106			Wire Bridge	
DL....13	50.04.2500	MV5352		LED yel D=5 mm	GI	XIC...1	53.03.0168	16-Pole		IC Socket	
DL....14	50.04.2500	MV5352		LED yel D=5 mm	GI	XIC...2	53.03.0168	16-Pole		IC Socket	
DL....15	50.04.2500	MV5352		LED yel D=5 mm	GI	XIC...6	53.03.0168	16-Pole		IC Socket	
DL....16	50.04.2500	MV5352		LED yel D=5 mm	GI	XIC...7	53.03.0168	16-Pole		IC Socket	
DL....17	50.04.2500	MV5352		LED yel D=5 mm	GI						

S T U D E R (00) 91/07/12 GP COMMAND PANEL BOARD 2/2 TC PL 1.727.763.82 PAGE 1 S T U D E R (00) 91/07/12 GP COMMAND PANEL BOARD 2/2 TC PL 1.727.763.82 PAGE 4

IND.	POS.NO.	PART NO.	VALUE	SPECIFICATIONS / EQUIVALENT	MANUF.	IND.	POS.NO.	PART NO.	VALUE	SPECIFICATIONS / EQUIVALENT	MANUF.
DL...18	50.04.2115	MV5752		LED red D=5 mm	GI	XIC...11	53.03.0168	16-Pole		IC Socket	
DL...21	50.04.2115	MV5752		LED red D=5 mm	GI	XIC...12	53.03.0168	16-Pole		IC Socket	
DL...22	50.04.2500	MV5352		LED yel D=5 mm	GI	XIC...13	53.03.0168	16-Pole		IC Socket	
DL...23	50.04.2500	MV5352		LED yel D=5 mm	GI						
DL...24	50.04.2500	MV5352		LED yel D=5 mm	GI						
DL...31	50.04.2115	MV5752		LED red D=5 mm	GI						
DL...32	50.04.2500	MV5352		LED yel D=5 mm	GI						
DL...33	50.04.2500	MV5352		LED yel D=5 mm	GI						
DL...34	50.04.2500	MV5352		LED yel D=5 mm	GI						
DL...41	50.04.2115	MV5752		LED red D=5 mm	GI						
DL...42	50.04.2500	MV5352		LED yel D=5 mm	GI						
DL...43	50.04.2500	MV5352		LED yel D=5 mm	GI						
DL...45	50.04.2115	MV5752		LED red D=5 mm	GI						
DL...46	50.04.2500	MV5352		LED yel D=5 mm	GI						
DL...48	50.04.2501	MV5452		LED grn D=5 mm	GI						
IC....1	50.17.1595	74HC595		8-Bit Shift Register	TI						
IC....2	50.17.1595	74HC595		8-Bit Shift Register	TI						
IC....6	50.17.1595	74HC595		8-Bit Shift Register	TI						
IC....7	50.17.1595	74HC595		8-Bit Shift Register	TI						
IC....11	50.17.1595	74HC595		8-Bit Shift Register	TI						
IC....12	50.06.0596	74LS596		8-Bit Shift Register G.C.	TI						
IC....13	50.17.1595	74HC595		8-Bit Shift Register	TI						
J.....1	54.01.0287		3-Pole	CIS Socket Strip	AMP						
J.....2	54.01.0288		5-Pole	CIS Socket Strip	AMP						
J.....3	54.01.0237		20-Pole	CIS Socket Strip	AMP						
J.....4	54.01.0237		20-Pole	CIS Socket Strip	AMP						
JP....6	54.01.0021			Bridge							
JP....10	54.01.0021			Bridge							
JP....11	54.01.0021			Bridge							
JP....12	54.01.0021			Bridge							
JP....13	54.01.0021			Bridge							
JP....14	54.01.0021			Bridge							
JP....15	54.01.0021			Bridge							
JP....16	54.01.0021			Bridge							

CER=Ceramic, EL=Electrolytic, PETP=Polyester, SI=Silicon,
 MF=Metal Film, PCera=Pot. Cermet,
 MANUFACTURER: AMP, GI=General Instrument, ITT, Mot=Motorola,
 NS=National Semiconductor, Ph=Philips, Ra=Raytheon,
 TI=Texas Instruments

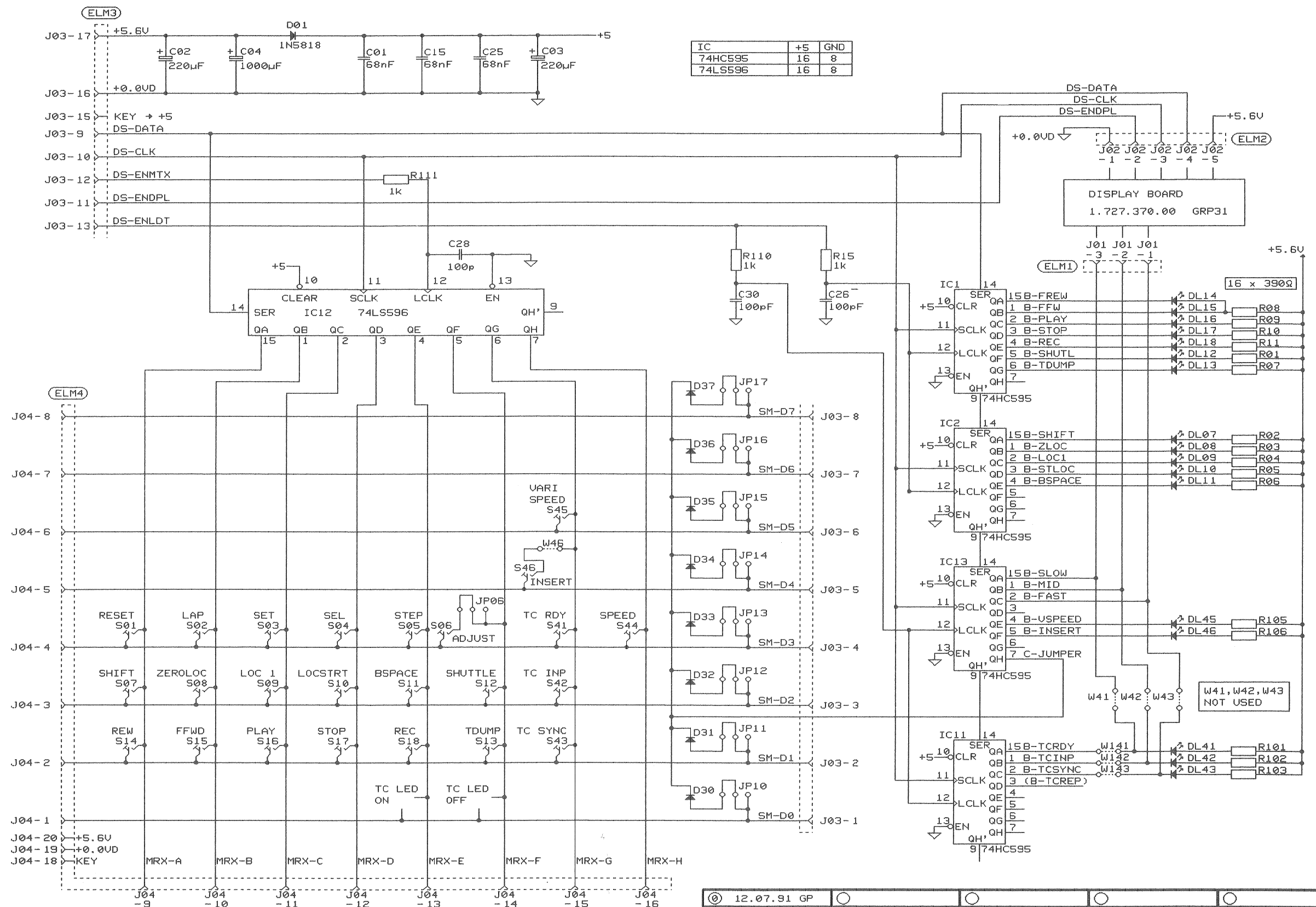
ORIG 91/07/12

S T U D E R (00) 91/07/12 GP COMMAND PANEL BOARD 2/2 TC PL 1.727.763.82 PAGE 2 S T U D E R (00) 91/07/12 GP COMMAND PANEL BOARD 2/2 TC PL 1.727.763.82 PAGE 5

IND.	POS.NO.	PART NO.	VALUE	SPECIFICATIONS / EQUIVALENT	MANUF.
JP...17	54.01.0021			Bridge	
JP...46				not used	
JP...48	54.01.0021			Bridge	
MP....1	54.01.0020		30 pcs	Contact Pin	
MP....2	1.011.235.03		3 pcs	Push button case 3a	
MP....3	1.011.235.04		2 pcs	Push button case 4a	
MP....4	1.011.235.05		2 pcs	Push button case 5a	
MP....5	1.011.235.23		3 pcs	Conductive rubber 3a	
MP....6	1.011.235.24		2 pcs	Conductive rubber 4a	
MP....7	1.011.235.25		2 pcs	Conductive rubber 5a	
MP....8	1.011.235.29		32 pcs	Bolt	
MP....9	1.011.235.30		27 pcs	Push button 14x5	
MP....10	1.011.235.31		6 pcs	Dummy calotte	
MP....11	1.011.235.32		5 pcs	Calotte red	
MP....12	1.011.235.33		19 pcs	Calotte yel	
MP....13	1.011.235.34		2 pcs	Calotte grn	
MP....14	1.727.360.02		1 pec	Push button case with Shuttle	
MP....15	1.727.360.03		1 pec	Conductive rubber with Shuttle	
MP....16	1.727.360.04		5 pcs	Push button 19x14	
MP....17	1.727.360.05		1 pec	Push button Adj.	
MP....18	1.727.763.10		1 pec	No. Label	
MP....19	1.727.660.12		1 pec	Command Panel PCB	
MP....20	53.03.0221		26 pcs	2-pole LED Socket	
MP....22	21.53.0354		2 pcs	Hexagon socket head cap screw M3x6	
MP....23	23.01.2032		2 pcs	Washer	
MP....24	24.01.1030		2 pcs	Fin washer	
MP....25	43.01.0108		1 pec	RSE Warning label	
MP....26	1.727.360.07		1 pec	Push button label, PLAY	
MP....27	1.727.360.08		1 pec	Push button label, STOP	
MP....28	1.727.360.09		1 pec	Push button label, RECORD	
MP....29	1.727.360.13		2 pcs	Push button labels, FORWARD,REWIND	
MP....30	1.011.235.35		2 pcs	Dummy push button 19x5	
R....1	57.11.3391	390	Ohm	1% 0.25W MF	
R....2	57.11.3391	390	Ohm	1% 0.25W MF	
R....3	57.11.3391	390	Ohm	1% 0.25W MF	

S T U D E R (00) 91/07/12 GP COMMAND PANEL BOARD 2/2 TC PL 1.727.763.82 PAGE 3

COMMAND PANEL BOARD TC (4CH) 1.727.766.82



IC	+5	GND
74HC595	16	8
74LS596	16	8

12.07.91 GP	A 807-4 TC GRP 30	PAGE 1 OF 1
STUDER	COMMAND PANEL BOARD (4CH) TC	SCH 1.727.766-82

COMMAND PANEL BOARD TC (4CH) 1.727.766.82

IND.	POS.NO.	PART NO.	VALUE	SPECIFICATIONS / EQUIVALENT	MANUF.	IND.	POS.NO.	PART NO.	VALUE	SPECIFICATIONS / EQUIVALENT	MANUF.
A....1	1.727.370.00			Display Board		S....6	55.15.0130			Push button Switch	ITT
A....2	1.727.180.00			Shuttle Control		W....41				not used	
C....1	59.06.0683		68 nF	10% 50 V PEP		W....42				not used	
C....2	59.22.3221		220 nF	-20% 10 V EL		W....43				not used	
C....3	59.22.3221		220 nF	-20% 10 V EL		W....46				not used	
C....4	59.22.3302		1000 nF	-20% 10 V EL		W...141	64.01.0106			Wire Bridge	
C....25	59.06.0683		68 nF	10% 50 V PEP		W...142	64.01.0106			Wire Bridge	
C....26	59.45.4101		100 pF	10% 50 V CER		W...143	64.01.0106			Wire Bridge	
C....27	59.45.4101		100 pF	not used		XIC...1	53.03.0168			16-Pole IC Socket	
C....28	59.45.4101		100 pF	10% 50 V CER		XIC...2	53.03.0168			16-Pole IC Socket	
C....29	59.45.4101		100 pF	not used		XIC...11	53.03.0168			16-Pole IC Socket	
C....30	59.45.4101		100 pF	10% 50 V CER		XIC...12	53.03.0168			16-Pole IC Socket	
D....1	50.04.0512	1R5818		30 V Schottky		XIC...13	53.03.0168			16-Pole IC Socket	
D....30	50.04.0125	1R4448		50 V SI							
D....31	50.04.0125	1R4448		50 V SI							
D....32	50.04.0125	1R4448		50 V SI							
D....33	50.04.0125	1R4448		50 V SI							
D....34	50.04.0125	1R4448		50 V SI							
D....35	50.04.0125	1R4448		50 V SI							
D....36	50.04.0125	1R4448		50 V SI							
D....37	50.04.0125	1R4448		50 V SI							
DL....7	50.04.2501	MV5452		LED grn D=5 mm	GI						
DL....8	50.04.2500	MV5352		LED yel D=5 mm	GI						
DL....9	50.04.2500	MV5352		LED yel D=5 mm	GI						
DL....10	50.04.2500	MV5352		LED yel D=5 mm	GI						
DL....11	50.04.2500	MV5352		LED yel D=5 mm	GI						
DL....12	50.04.2500	MV5352		LED yel D=5 mm	GI						
DL....13	50.04.2500	MV5352		LED yel D=5 mm	GI						
DL....14	50.04.2500	MV5352		LED yel D=5 mm	GI						
DL....15	50.04.2500	MV5352		LED yel D=5 mm	GI						
DL....16	50.04.2500	MV5352		LED yel D=5 mm	GI						
DL....17	50.04.2500	MV5352		LED yel D=5 mm	GI						
DL....18	50.04.2115	MV5752		LED rad D=5 mm	GI						
DL....41	50.04.2115	MV5752		LED rad D=5 mm	GI						

CER=Ceramic, EL=Electrolytic, PEP=Polyester, SI=Silicon,
 MF=Metal Film, PCera=Pot. Cermet,
 MANUFACTURER: AMP, GI=General Instrument, ITT, Mot=Motorola,
 NS=National Semiconductor, Ph=Philips, Ra=Raytheon,
 TI=Texas Instruments

S T U D E R (00) 91/07/12 GP COMMAND PANEL BOARD (4CH) TC PL 1.727.766.82 PAGE 1

S T U D E R (00) 91/07/12 GP COMMAND PANEL BOARD (4CH) TC PL 1.727.766.82 PAGE 4

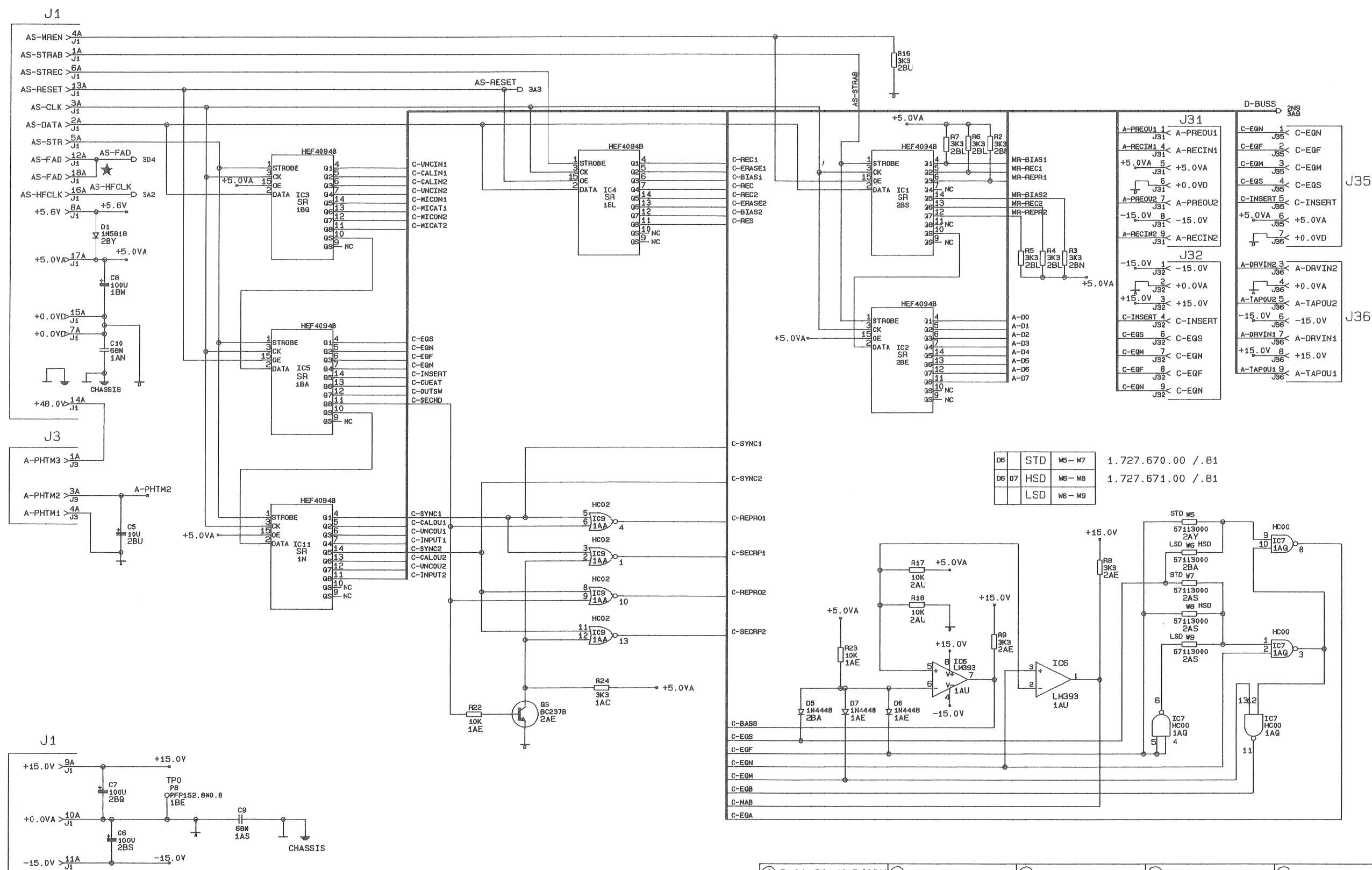
IND.	POS.NO.	PART NO.	VALUE	SPECIFICATIONS / EQUIVALENT	MANUF.
DL....42	50.04.2500	MV5352		LED yel D=5 mm	GI
DL....43	50.04.2500	MV5352		LED yel D=5 mm	GI
DL....45	50.04.2115	MV5752		LED rad D=5 mm	GI
DL....46	50.04.2501	MV5452		LED grn D=5 mm	GI
IC....1	50.17.1595	74HC595		8-Bit Shift Register	TI
IC....2	50.17.1595	74HC595		8-Bit Shift Register	TI
IC....11	50.17.1595	74HC595		8-Bit Shift Register	TI
IC....12	50.06.0596	74LS596		8-Bit Shift Register O.C.	TI
IC....13	50.17.1595	74HC595		8-Bit Shift Register	TI
J....1	54.01.0287		3-Pole	CIS Socket Strip	AMP
J....2	54.01.0288		5-Pole	CIS Socket Strip	AMP
J....3	54.01.0237		20-Pole	CIS Socket Strip	AMP
J....4	54.01.0237		20-Pole	CIS Socket Strip	AMP
JP....6	54.01.0021			Bridge	
JP....10	54.01.0021			Bridge	
JP....11	54.01.0021			Bridge	
JP....12	54.01.0021			Bridge	
JP....13	54.01.0021			Bridge	
JP....14	54.01.0021			Bridge	
JP....15	54.01.0021			Bridge	
JP....16	54.01.0021			Bridge	
JP....17	54.01.0021			Bridge	
JP....46	54.01.0021			Bridge	
JP....48				not used	
MP....1	54.01.0020		30 pcs	Contact Pin	
MP....2	1.011.235.03		2 pcs	Push button case 3A	
MP....4	1.011.235.05		2 pcs	Push button case 5A	
MP....5	1.011.235.23		2 pcs	Conductive rubber 3A	
MP....7	1.011.235.25		2 pcs	Conductive rubber 5A	
MP....8	1.011.235.29		23 pcs	Bolt	
MP....9	1.011.235.30		18 pcs	Push button 14x5	
MP....10	1.011.235.31		6 pcs	Dummy calotte	
MP....11	1.011.235.32		3 pcs	Calotte rad	

S T U D E R (00) 91/07/12 GP COMMAND PANEL BOARD (4CH) TC PL 1.727.766.82 PAGE 2

IND.	POS.NO.	PART NO.	VALUE	SPECIFICATIONS / EQUIVALENT	MANUF.
MP....12	1.011.235.33		12 pcs	Calotte yel	
MP....13	1.011.235.34		2 pcs	Calotte grn	
MP....14	1.727.360.02		1 pcs	Push button case with Shuttle	
MP....15	1.727.360.03		1 pcs	Conductive rubber with Shuttle	
MP....16	1.727.360.04		5 pcs	Push button 19x14	
MP....17	1.727.360.05		1 pcs	Push button Adj.	
MP....18	1.727.766.10		1 pcs	No. Label	
MP....19	1.727.660.12		1 pcs	Command Panel PCB	
MP....20	53.03.0221		17 pcs	2-pole LED Socket	
MP....22	21.53.0354		2 pcs	Hexagon socket head cap screw M3x6	
MP....23	23.01.2032		2 pcs	Washer	
MP....24	24.16.1030		2 pcs	Flt washer	
MP....25	43.01.0108		1 pcs	ESE Warning label	
MP....26	1.727.360.07		1 pcs	Push button label, PLAY	
MP....27	1.727.360.08		1 pcs	Push button label, STOP	
MP....28	1.727.360.09		1 pcs	Push button label, RECORD	
MP....29	1.727.360.19		2 pcs	Push button labels, FORWARD,REWIND	
R....1	57.11.3391		390 Ohm	1% 0.25W, MF	
R....2	57.11.3391		390 Ohm	1% 0.25W, MF	
R....3	57.11.3391		390 Ohm	1% 0.25W, MF	
R....4	57.11.3391		390 Ohm	1% 0.25W, MF	
R....5	57.11.3391		390 Ohm	1% 0.25W, MF	
R....6	57.11.3391		390 Ohm	1% 0.25W, MF	
R....7	57.11.3391		390 Ohm	1% 0.25W, MF	
R....8	57.11.3391		390 Ohm	1% 0.25W, MF	
R....9	57.11.3391		390 Ohm	1% 0.25W, MF	
R....10	57.11.3391		390 Ohm	1% 0.25W, MF	
R....11	57.11.3391		390 Ohm	1% 0.25W, MF	
R....15	57.11.3102		1 kOhm	1% 0.25W, MF	
R....101	57.11.3391		390 Ohm	1% 0.25W, MF	
R....102	57.11.3391		390 Ohm	1% 0.25W, MF	
R....103	57.11.3391		390 Ohm	1% 0.25W, MF	
R....105	57.11.3391		390 Ohm	1% 0.25W, MF	
R....106	57.11.3391		390 Ohm	1% 0.25W, MF	
R....110	57.11.3102		1 kOhm	1% 0.25W, MF	
R....111	57.11.3102		1 kOhm	1% 0.25W, MF	

S T U D E R (00) 91/07/12 GP COMMAND PANEL BOARD (4CH) TC PL 1.727.766.82 PAGE 3

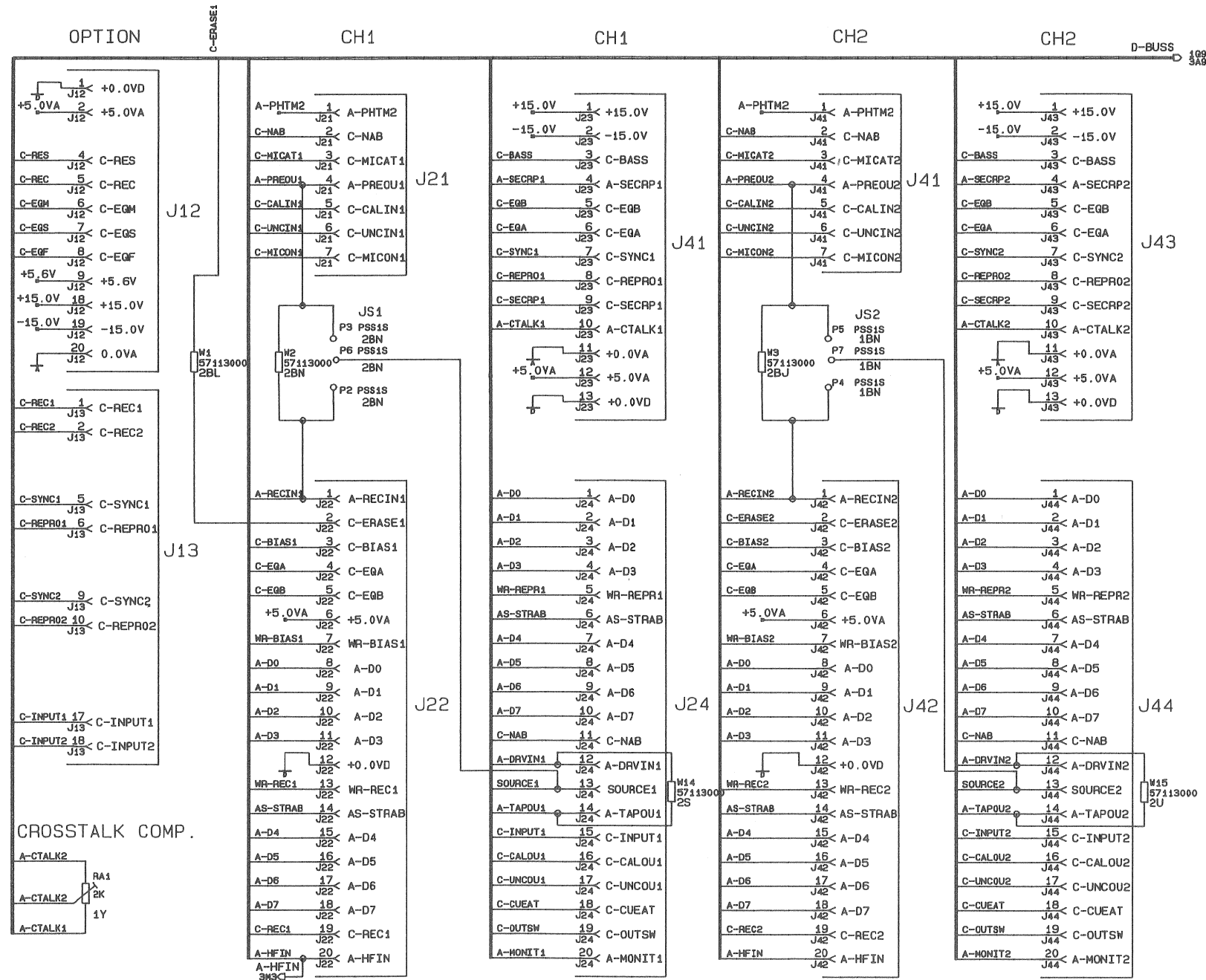
AUDIO CONTROL BOARD (2CH) 1.727.670.00 / 1.727.671.00 (HS)
 -AUDIO CONTROL BOARD (2CH) 1.727.670.81 / 1.727.671.81 (HS)



★ J1.18A NOT USED FOR 1.727.670.00 / 671.00

© 9.01.90 HAR/GBU				
STUDER	A 807 GR40			PAGE 1 OF 3
AUDIO CONTROL BOARD 2CH		SC 1.727.670-81		

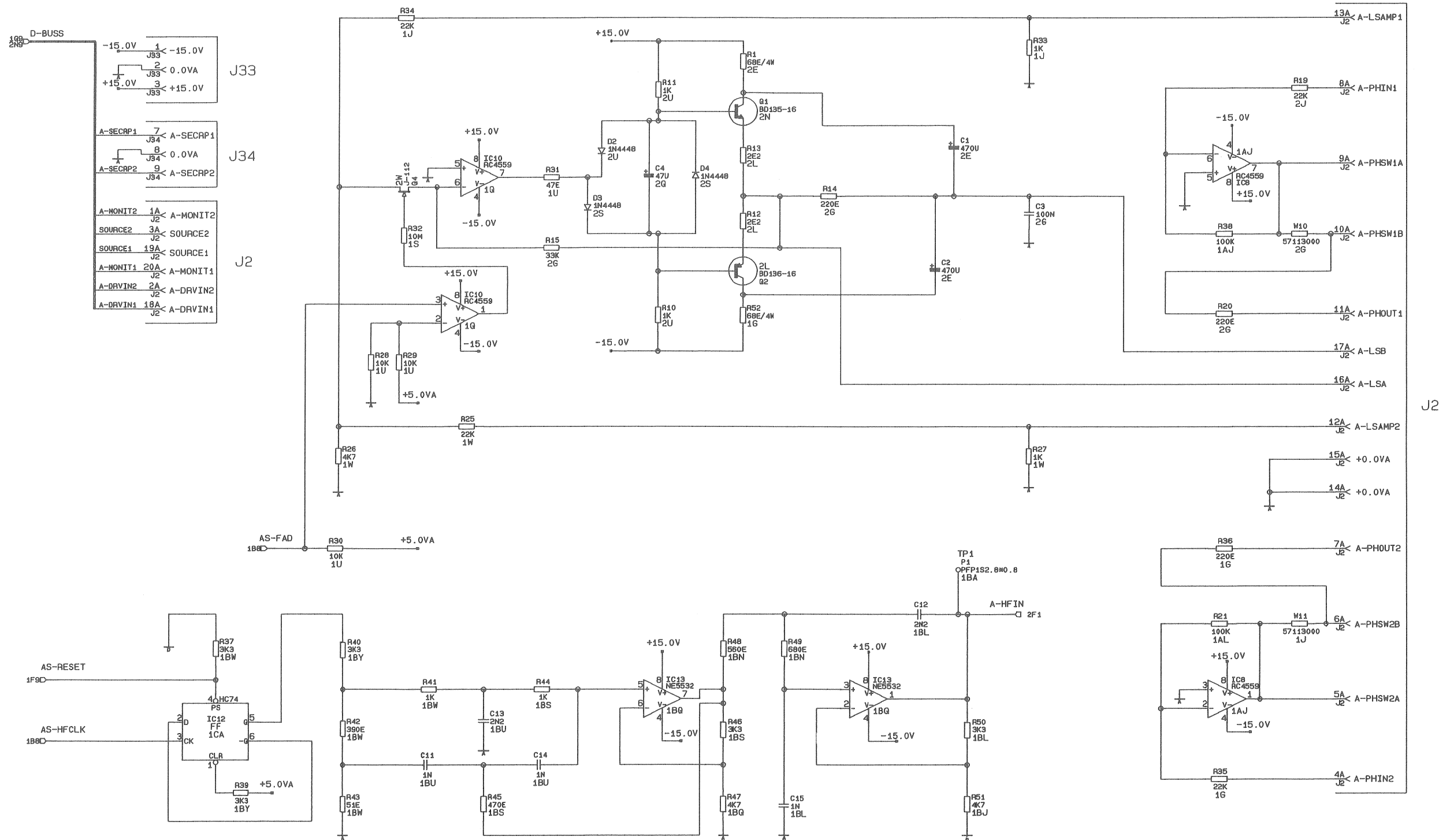
AUDIO CONTROL BOARD (2CH) 1.727.670.00 / 1.727.671.00 (HS)
 -AUDIO CONTROL BOARD (2CH) 1.727.670.81 / 1.727.671.81 (HS)



© 9.01.90 HAR/GBU				
STUDER	A 807 GR40	PAGE 2 OF 3		
AUDIO CONTROL BOARD 2CH		SQ 1.727.670-81		

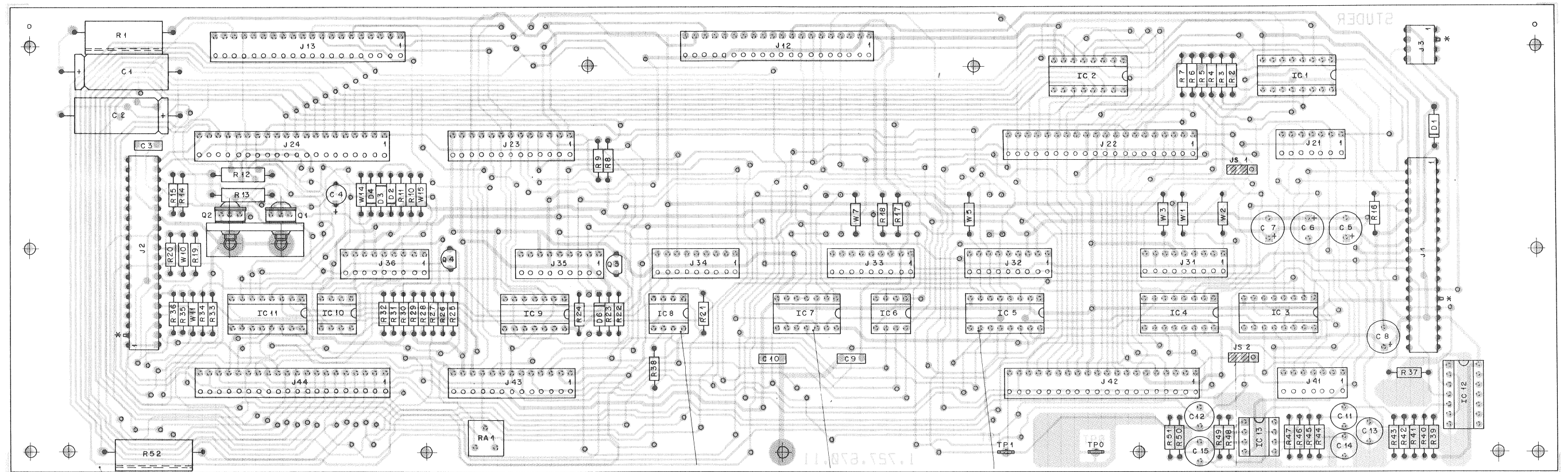
STUDER A807 MKII

AUDIO CONTROL BOARD (2CH) 1.727.670.00 / 1.727.671.00 (HS)
 -AUDIO CONTROL BOARD (2CH) 1.727.670.81 / 1.727.671.81 (HS)



9.01.90	HAR/GBU				
STUDER		AUDIO CONTROL BOARD 2CH		SC	1.727.670-81
A 807 GR40				PAGE 3 OF 3	

AUDIO CONTROL BOARD (2CH) 1.727.670.81 / 1.727.671.81



53.03.0166 (4x)

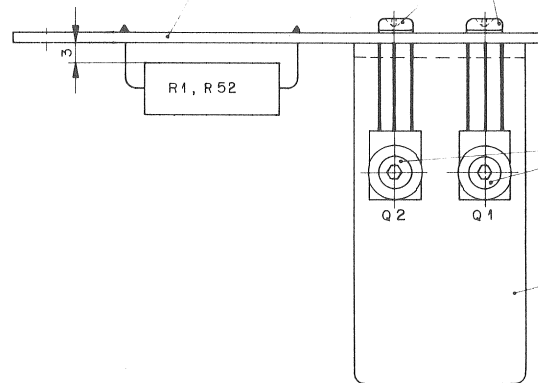
53.03.0167 (3x)

53.03.0168 (6x)

Bestückt

1.727.670-11

21.99.0180
24.16.2030



50.20.0310
21.51.8355
37.04.0101
montiert nach BV 632

1.727.400-01

* Codierung : Schaltdraht 64.01.0108 ϕ 0,8 x 8mm
(muss 1mm vorstehen)

AUDIO CONTROL BOARD (2CH) 1.727.670.81

IND.	POS.NO.	PART NO.	VALUE	SPECIFICATIONS / EQUIVALENT	MANUF.	IND.	POS.NO.	PART NO.	VALUE	SPECIFICATIONS / EQUIVALENT	MANUF.
C....1	59.25.3471	470 uF	-20%	16 V EL		R...36	57.11.3221	220 Ohm	2%, 0.25W, MF		
C....2	59.25.3471	470 uF	-20%	16 V EL		R...37	57.11.3332	3.3 kOhm	2%, 0.25W, MF		
C....3	59.06.0104	0.1 uF	10%	63 V PETP		R...38	57.11.3104	100 kOhm	2%, 0.25W, MF		
C....4	59.22.3470	47 uF	-20%	10 V EL		R...39	57.11.3332	3.3 kOhm	2%, 0.25W, MF		
C....5	59.22.8100	10 uF	-20%	63 V EL		R...40	57.11.3332	3.3 kOhm	2%, 0.25W, MF		
C....6	59.22.5101	100 uF	-20%	25 V EL		R...41	57.11.3102	1 kOhm	2%, 0.25W, MF		
C....7	59.22.5101	100 uF	-20%	25 V EL		R...42	57.11.3391	390 Ohm	2%, 0.25W, MF		
C....8	59.22.5101	100 uF	-20%	25 V EL		R...43	57.11.3510	51 Ohm	1%, 0.25W, MF		
C....9	59.06.0683	68 nF	10%	63 V PETP		R...44	57.11.3102	1 kOhm	2%, 0.25W, MF		
C....10	59.06.0683	68 nF	10%	63 V PETP		R...45	57.11.3471	470 Ohm	2%, 0.25W, MF		
C....11	59.05.1102	1 nF	1%	160 V PP		R...46	57.11.3332	3.3 kOhm	2%, 0.25W, MF		
C....12	59.05.1222	2.2 nF	1%	160 V PP		R...47	57.11.3472	4.7 kOhm	2%, 0.25W, MF		
C....13	59.05.1222	2.2 nF	1%	160 V PP		R...48	57.11.3561	560 Ohm	2%, 0.25W, MF		
C....14	59.05.1102	1 nF	1%	160 V PP		R...49	57.11.3661	680 Ohm	2%, 0.25W, MF		
C....15	59.05.1102	1 nF	1%	160 V PP		R...50	57.11.3332	3.3 kOhm	2%, 0.25W, MF		
D....1	50.04.0512	1N5819		30V	Not	R...51	57.11.3472	4.7 kOhm	2%, 0.25W, MF		
D....2	50.04.0125	1N4448		50V		R...52	57.56.5680	68 Ohm	2%, 4 W, DR		
D....3	50.04.0125	1N4448		50V		RA...1	58.01.8202	2 kOhm	Potmeter PKG		
D....4	50.04.0125	1N4448		50V		TP...0	54.02.0320		PLUG 2.8A0.8		
D....5				not used		TP...1	54.02.0320		PLUG 2.8A0.8		
D....6	50.04.0125	1N4448		50V		W....1	57.11.3000		Wire Bridge		
D....7				not used		W....2	57.11.3000		Wire Bridge		
IC...1	50.07.0018	MC14094		CMOS	Not	W....3	57.11.3000		Wire Bridge		
IC...2	50.07.0018	MC14094		CMOS	Not	W....4	57.11.3000		Wire Bridge		
IC...3	50.07.0018	MC14094		CMOS	Not	W....5	57.11.3000		Wire Bridge		
IC...4	50.07.0018	MC14094		CMOS	Not	W....6			not used		
IC...5	50.07.0018	MC14094		CMOS	Not	W....7	57.11.3000		Wire Bridge		
IC...6	50.05.0283	LM393		Dual Comparator		W....8			not used		
IC...7	50.17.1000	74HC00		HCMOS		W....9			not used		
IC...8	50.09.0107	RC4559		Dual Op. Amp.		W...10	57.11.3000		Wire Bridge		
IC...9	50.17.1002	74HC02		HCMOS		W...11	57.11.3000		Wire Bridge		
IC...10	50.09.0107	RC4559		Dual Op. Amp.		W...12	57.11.3000		Wire Bridge		
IC...11	50.07.0018	MC14094		CMOS	Not	W...13	57.11.3000		Wire Bridge		
IC...12	50.17.1074	74HC14		HCMOS		XIC...1	53.03.0168	16 pol	IC Socket		
IC...13	50.09.0105	NE5532		Dual Op. Amp.							

S T U D E R (00) 90/01/22 Wth AUDIO CONTROL BOARD PL 1.727.670.81 PAGE 1 S T U D E R (00) 90/01/22 Wth AUDIO CONTROL BOARD PL 1.727.670.81 PAGE 4

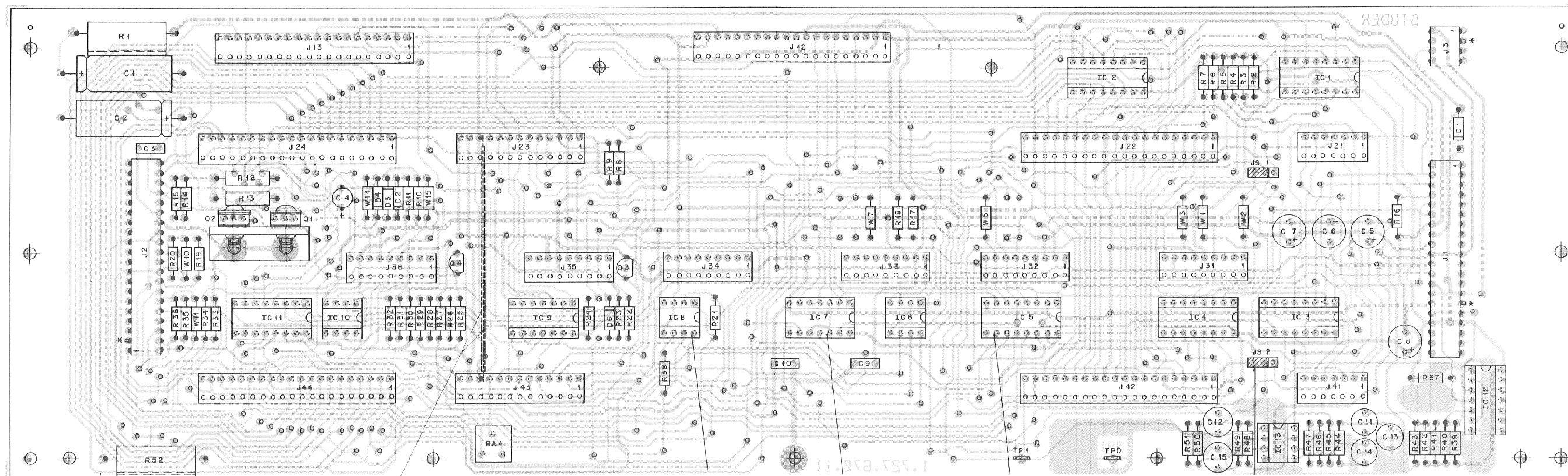
IND.	POS.NO.	PART NO.	VALUE	SPECIFICATIONS / EQUIVALENT	MANUF.	IND.	POS.NO.	PART NO.	VALUE	SPECIFICATIONS / EQUIVALENT	MANUF.
J....1	54.01.0248	20-POLE		CIS Socket Strip	AMP	XIC...2	53.03.0168	16 pol	IC Socket		
J....2	54.01.0248	20-POLE		CIS Socket Strip	AMP	XIC...3	53.03.0168	16 pol	IC Socket		
J....3	54.01.0304	4-POLE		CIS Socket Strip	AMP	XIC...4	53.03.0168	16 pol	IC Socket		
J....11				not used		XIC...5	53.03.0168	16 pol	IC Socket		
J....12	54.01.0226	20-POLE		CIS Socket Strip	AMP	XIC...6	53.03.0168	8 pol	IC Socket		
J....13	54.01.0226	20-POLE		CIS Socket Strip	AMP	XIC...7	53.03.0167	14 pol	IC Socket		
J....21	54.01.0218	7-POLE		CIS Socket Strip	AMP	XIC...8	53.03.0166	8 pol	IC Socket		
J....22	54.01.0226	20-POLE		CIS Socket Strip	AMP	XIC...9	53.03.0167	14 pol	IC Socket		
J....23	54.01.0226	13-POLE		CIS Socket Strip	AMP	XIC...10	53.03.0166	8 pol	IC Socket		
J....24	54.01.0226	20-POLE		CIS Socket Strip	AMP	XIC...11	53.03.0168	16 pol	IC Socket		
J....31	54.01.0217	9-POLE		CIS Socket Strip	AMP	XIC...12	53.03.0167	14 pol	IC Socket		
J....32	54.01.0217	9-POLE		CIS Socket Strip	AMP	XIC...13	53.03.0166	8 pol	IC Socket		
J....33	54.01.0217	9-POLE		CIS Socket Strip	AMP						
J....34	54.01.0217	9-POLE		CIS Socket Strip	AMP						
J....35	54.01.0217	9-POLE		CIS Socket Strip	AMP						
J....36	54.01.0217	9-POLE		CIS Socket Strip	AMP						
J....41	54.01.0218	7-POLE		CIS Socket Strip	AMP						
J....42	54.01.0226	20-POLE		CIS Socket Strip	AMP						
J....43	54.01.0226	13-POLE		CIS Socket Strip	AMP						
J....44	54.01.0226	20-POLE		CIS Socket Strip	AMP						
JS...1	54.01.0021			Bridge							
JS...2	54.01.0021			Bridge							
MP...1	1.727.670.12	1 pce		Audio Control PCB	St						
MP...2	1.727.400.01	1 pce		Headlink	St						
MP...3	1.727.670.10	1 pce		No. label	St						
MP...4	21.99.0180	2 pce		Screw M3 * 5							
MP...5	21.53.0355	2 pce		Screw M3 * 8							
MP...6	24.16.2090	2 pce		Lock washer							
MP...7	37.01.0101	4 pce		Lock washer	St						
MP...8	43.01.0108	1 pce		ESE warning label	St						
MP...9	54.01.0020	6 pce		Contact pin							
Q....1	50.03.0495	BD135-16		NPN							
Q....2	50.03.0510	BD136-16		PNP							
Q....3	50.03.0436	BC237B		NPN							

S T U D E R (00) 90/01/22 Wth AUDIO CONTROL BOARD PL 1.727.670.81 PAGE 2 S T U D E R (00) 90/01/22 Wth AUDIO CONTROL BOARD PL 1.727.670.81 PAGE 5

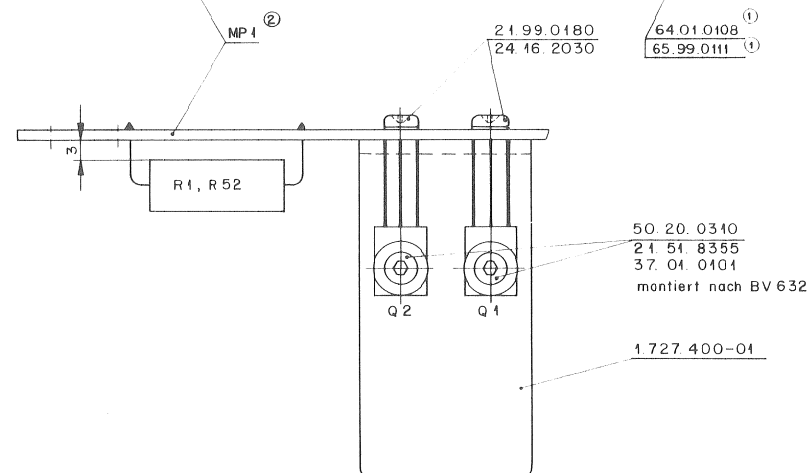
IND.	POS.NO.	PART NO.	VALUE	SPECIFICATIONS / EQUIVALENT	MANUF.
Q....4	50.03.0350	MPP4392	J112	FET	Met,Six
R....1	57.56.5680	68 Ohm	2%, 4 W, DR		
R....2	57.11.3332	3.3 kOhm	2%, 0.25W, MF		
R....3	57.11.3332	3.3 kOhm	2%, 0.25W, MF		
R....4	57.11.3332	3.3 kOhm	2%, 0.25W, MF		
R....5	57.11.3332	3.3 kOhm	2%, 0.25W, MF		
R....6	57.11.3332	3.3 kOhm	2%, 0.25W, MF		
R....7	57.11.3332	3.3 kOhm	2%, 0.25W, MF		
R....8	57.11.3332	3.3 kOhm	2%, 0.25W, MF		
R....9	57.11.3332	3.3 kOhm	2%, 0.25W, MF		
R....10	57.11.3102	1 kOhm	2%, 0.25W, MF		
R....11	57.11.3102	1 kOhm	2%, 0.25W, MF		
R....12	57.13.4229	2.2 Ohm	2%, 0.5 W, MF		
R....13	57.13.4229	2.2 Ohm	2%, 0.5 W, MF		
R....14	57.11.3221	220 Ohm	2%, 0.25W, MF		
R....15	57.11.3333	33 kOhm	2%, 0.25W, MF		
R....16	57.11.3332	3.3 kOhm	2%, 0.25W, MF		
R....17	57.11.3103	10 kOhm	2%, 0.25W, MF		
R....18	57.11.3103	10 kOhm	2%, 0.25W, MF		
R....19	57.11.3223	22 kOhm	2%, 0.25W, MF		
R....20	57.11.3221	220 Ohm	2%, 0.25W, MF		
R....21	57.11.3104	100 kOhm	2%, 0.25W, MF		
R....22	57.11.3103	10 kOhm	2%, 0.25W, MF		
R....23	57.11.3103	10 kOhm	2%, 0.25W, MF		
R....24	57.11.3332	3.3 kOhm	2%, 0.25W, MF		
R....25	57.11.3223	22 kOhm	2%, 0.25W, MF		
R....26	57.11.3472	4.7 kOhm	2%, 0.25W, MF		
R....27	57.11.3102	1 kOhm	2%, 0.25W, MF		
R....28	57.11.3103	10 kOhm	2%, 0.25W, MF		
R....29	57.11.3103	10 kOhm	2%, 0.25W, MF		
R....30	57.11.3103	10 kOhm	2%, 0.25W, MF		
R....31	57.11.3470	47 Ohm	2%, 0.25W, MF		
R....32	57.11.3106	10 MOhm	5%, 0.25W, MF		
R....33	57.11.3102	1 kOhm	2%, 0.25W, MF		
R....34	57.11.3223	22 kOhm	2%, 0.25W, MF		
R....35	57.11.3223	22 kOhm	2%, 0.25W, MF		

S T U D E R (00) 90/01/22 Wth AUDIO CONTROL BOARD PL 1.727.670.81 PAGE 3

AUDIO CONTROL BOARD (2CH) 1.727.670.00 / 1.727.671.00 (HS)



53.03.0166 (4x) 53.03.0167 (3x) 53.03.0168 (6x) Bestückt



AUDIO CONTROL BOARD (2CH) 1.727.670.00

IND.	POS.NO.	PART NO.	VALUE	SPECIFICATIONS / EQUIVALENT	MANUF.	IND.	POS.NO.	PART NO.	VALUE	SPECIFICATIONS / EQUIVALENT	MANUF.
C.....1	59.25.3471	470 uF	-20%	16 V EL		R....36	57.11.3221	220 Ohm	2%, 0.25W, MF		
C.....2	59.25.3471	470 uF	-20%	16 V EL		R....37	57.11.3332	3.3 kOhm	2%, 0.25W, MF		
C.....3	59.06.0104	0.1 uF	10%	63 V PETP		R....38	57.11.3104	100 kOhm	2%, 0.25W, MF		
C.....4	59.22.3470	47 uF	-20%	10 V EL		R....39	57.11.3332	3.3 kOhm	2%, 0.25W, MF		
C.....5	59.22.8100	10 uF	-20%	63 V EL		R....40	57.11.3332	3.3 kOhm	2%, 0.25W, MF		
C.....6	59.22.5101	100 uF	-20%	25 V EL		R....41	57.11.3102	1 kOhm	2%, 0.25W, MF		
C.....7	59.22.5101	100 uF	-20%	25 V EL		R....42	57.11.3391	990 Ohm	2%, 0.25W, MF		
C.....8	59.22.5101	100 uF	-20%	25 V EL		R....43	57.11.3510	51 Ohm	1%, 0.25W, MF		
C.....9	59.06.0683	68 nF	10%	63 V PETP		R....44	57.11.3102	1 kOhm	2%, 0.25W, MF		
C.....10	59.06.0683	68 nF	10%	63 V PETP		R....45	57.11.3471	470 Ohm	2%, 0.25W, MF		
C.....11	59.05.1102	1 nF	1%	160 V PP		R....46	57.11.3332	3.3 kOhm	2%, 0.25W, MF		
C.....12	59.05.1222	2.2 nF	1%	160 V PP		R....47	57.11.3472	4.7 kOhm	2%, 0.25W, MF		
C.....13	59.05.1222	2.2 nF	1%	160 V PP		R....48	57.11.3561	560 Ohm	2%, 0.25W, MF		
C.....14	59.05.1102	1 nF	1%	160 V PP		R....49	57.11.3681	680 Ohm	2%, 0.25W, MF		
C.....15	59.05.1102	1 nF	1%	160 V PP		R....50	57.11.3332	3.3 kOhm	2%, 0.25W, MF		
D.....1	50.04.0512	1M5819		30V	Mot	R....52	57.56.5680	68 Ohm	2%, 4 W, DR		
D.....2	50.04.0125	1M4448		50V		RA....1	58.01.8202	2 kOhm	Potmeter PMG		
D.....3	50.04.0125	1M4448		50V		TP....0	54.02.0320		PLUG 2.8x0.8		
D.....4	50.04.0125	1M4448		50V		TP....1	54.02.0320		PLUG 2.8x0.8		
D.....5				not used		W.....1	57.11.3000		Wire Bridge		
D.....6	50.04.0125	1M4448		50V		W.....2	57.11.3000		Wire Bridge		
D.....7				not used		W.....3	57.11.3000		Wire Bridge		
IC....1	50.07.0018	MC14094		CMOS	Mot	W.....4	57.11.3000		Wire Bridge		
IC....2	50.07.0018	MC14094		CMOS	Mot	W.....5	57.11.3000		Wire Bridge		
IC....3	50.07.0018	MC14094		CMOS	Mot	W.....6			not used		
IC....4	50.07.0018	MC14094		CMOS	Mot	W.....7	57.11.3000		Wire Bridge		
IC....5	50.07.0018	MC14094		CMOS	Mot	W.....8			not used		
IC....6	50.05.0283	LM393		Dual Comparator		W.....9			not used		
IC....7	50.17.1000	74HC00		HCMOS		W....10	57.11.3000		Wire Bridge		
IC....8	50.09.0107	RC4559		Dual Op. Amp.		W....11	57.11.3000		Wire Bridge		
IC....9	50.17.1002	74HC02		HCMOS		W....14	57.11.3000		Wire Bridge		
IC....10	50.09.0107	RC4559		Dual Op. Amp.		W....15	57.11.3000		Wire Bridge		
IC....11	50.07.0018	MC14094		CMOS	Mot	XIC....1	53.03.0168	16 pol	IC Socket		
IC....12	50.17.1074	74HE74		HCMOS							
IC....13	50.09.0105	NE5532		Dual Op. Amp.							

S T U D E R (00) 89/03/21 Wth AUDIO CONTROL BOARD PL 1.727.670.00 PAGE 1 S T U D E R (00) 89/03/21 Wth AUDIO CONTROL BOARD PL 1.727.670.00 PAGE 4

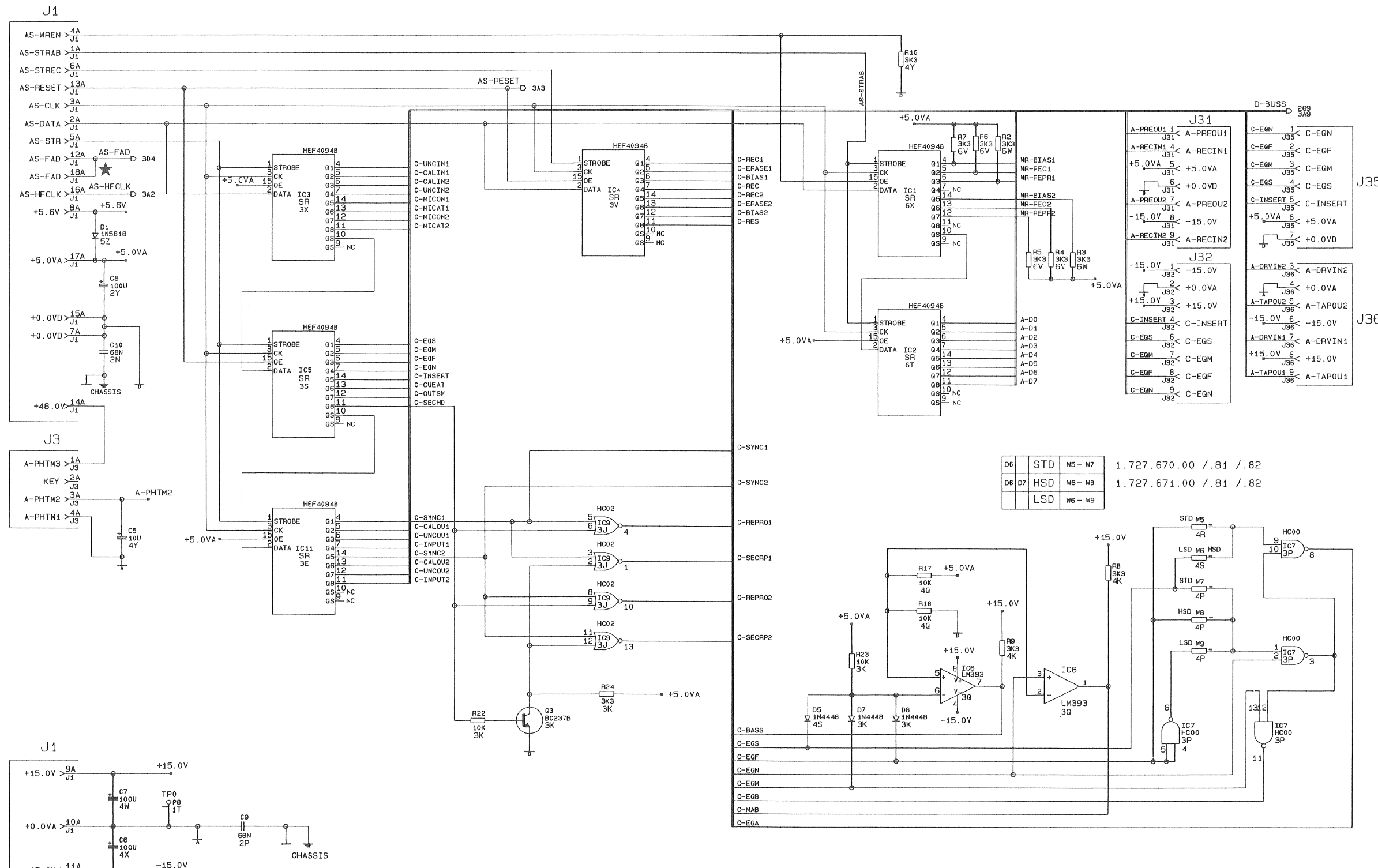
IND.	POS.NO.	PART NO.	VALUE	SPECIFICATIONS / EQUIVALENT	MANUF.	IND.	POS.NO.	PART NO.	VALUE	SPECIFICATIONS / EQUIVALENT	MANUF.
J.....1	54.01.0248	20-POLE		CIS Socket Strip	AMP	XIC....2	53.03.0168	16 pol	IC Socket		
J.....2	54.01.0248	20-POLE		CIS Socket Strip	AMP	XIC....3	53.03.0168	16 pol	IC Socket		
J.....3	54.01.0304	4-POLE		CIS Socket Strip	AMP	XIC....4	53.03.0168	16 pol	IC Socket		
J.....11				not used		XIC....5	53.03.0168	16 pol	IC Socket		
J.....12	54.01.0226	20-POLE		CIS Socket Strip	AMP	XIC....6	53.03.0166	8 pol	IC Socket		
J.....13	54.01.0226	20-POLE		CIS Socket Strip	AMP	XIC....7	53.03.0167	14 pol	IC Socket		
J.....21	54.01.0218	7-POLE		CIS Socket Strip	AMP	XIC....8	53.03.0166	8 pol	IC Socket		
J.....22	54.01.0226	20-POLE		CIS Socket Strip	AMP	XIC....9	53.03.0167	14 pol	IC Socket		
J.....23	54.01.0292	13-POLE		CIS Socket Strip	AMP	XIC....10	53.03.0166	8 pol	IC Socket		
J.....24	54.01.0226	20-POLE		CIS Socket Strip	AMP	XIC....11	53.03.0168	16 pol	IC Socket		
J.....31	54.01.0217	9-POLE		CIS Socket Strip	AMP	XIC....12	53.03.0167	14 pol	IC Socket		
J.....32	54.01.0217	9-POLE		CIS Socket Strip	AMP	XIC....13	53.03.0166	8 pol	IC Socket		
J.....33	54.01.0217	9-POLE		CIS Socket Strip	AMP						
J.....34	54.01.0217	9-POLE		CIS Socket Strip	AMP						
J.....35	54.01.0217	9-POLE		CIS Socket Strip	AMP						
J.....36	54.01.0217	9-POLE		CIS Socket Strip	AMP						
J.....41	54.01.0218	7-POLE		CIS Socket Strip	AMP						
J.....42	54.01.0226	20-POLE		CIS Socket Strip	AMP						
J.....43	54.01.0292	13-POLE		CIS Socket Strip	AMP						
J.....44	54.01.0226	20-POLE		CIS Socket Strip	AMP						
JS....1	54.01.0021			Bridge							
JS....2	54.01.0021			Bridge							
MP....1	1.727.670.11	1 pcs		Audio Control PCB	St						
MP....2	1.727.400.01	1 pcs		Headstck	St						
MP....3	1.727.670.10	1 pcs		No. label	St						
MP....4	21.99.0180	2 pcs		Screw M3 x 5							
MP....5	21.53.0355	2 pcs		Screw M3 x 8							
MP....6	24.16.2030	2 pcs		Lock washer							
MP....7	37.01.0101	4 pcs		Lock washer	St						
MP....8	43.01.0108	1 pcs		ESE warning label	St						
MP....9	54.01.0020	6 pcs		Contact pin							
Q.....1	50.03.0495	BD135-16		NPN							
Q.....2	50.03.0510	BD136-16		NPN							
Q.....3	50.03.0436	BC237B		NPN							

S T U D E R (00) 89/03/21 Wth AUDIO CONTROL BOARD PL 1.727.670.00 PAGE 2 S T U D E R (00) 89/03/21 Wth AUDIO CONTROL BOARD PL 1.727.670.00 PAGE 5

IND.	POS.NO.	PART NO.	VALUE	SPECIFICATIONS / EQUIVALENT	MANUF.
Q.....4	50.03.0350	MFP4392	J112	FET	Mot,Six
R....1	57.56.5680	68 Ohm	2%, 4 W, DR		
R....2	57.11.3332	3.3 kOhm	2%, 0.25W, MF		
R....3	57.11.3332	3.3 kOhm	2%, 0.25W, MF		
R....4	57.11.3332	3.3 kOhm	2%, 0.25W, MF		
R....5	57.11.3332	3.3 kOhm	2%, 0.25W, MF		
R....6	57.11.3332	3.3 kOhm	2%, 0.25W, MF		
R....7	57.11.3332	3.3 kOhm	2%, 0.25W, MF		
R....8	57.11.3332	3.3 kOhm	2%, 0.25W, MF		
R....9	57.11.3332	3.3 kOhm	2%, 0.25W, MF		
R....10	57.11.3102	1 kOhm	2%, 0.25W, MF		
R....11	57.11.3102	1 kOhm	2%, 0.25W, MF		
R....12	57.13.4229	2.2 Ohm	2%, 0.5 W, MF		
R....13	57.13.4229	2.2 Ohm	2%, 0.5 W, MF		
R....14	57.11.3221	220 Ohm	2%, 0.25W, MF		
R....15	57.11.3283	39 kOhm	2%, 0.25W, MF		
R....16	57.11.3332	3.3 kOhm	2%, 0.25W, MF		
R....17	57.11.3103	10 kOhm	2%, 0.25W, MF		
R....18	57.11.3103	10 kOhm	2%, 0.25W, MF		
R....19	57.11.3223	22 kOhm	2%, 0.25W, MF		
R....20	57.11.3221	220 Ohm	2%, 0.25W, MF		
R....21	57.11.3104	100 kOhm	2%, 0.25W, MF		
R....22	57.11.3103	10 kOhm	2%, 0.25W, MF		
R....23	57.11.3103	10 kOhm	2%, 0.25W, MF		
R....24	57.11.3332	3.3 kOhm	2%, 0.25W, MF		
R....25	57.11.3223	22 kOhm	2%, 0.25W, MF		
R....26	57.11.3472	4.7 kOhm	2%, 0.25W, MF		
R....27	57.11.3102	1 kOhm	2%, 0.25W, MF		
R....28	57.11.3103	10 kOhm	2%, 0.25W, MF		
R....29	57.11.3103	10 kOhm	2%, 0.25W, MF		
R....30	57.11.3103	10 kOhm	2%, 0.25W, MF		
R....31	57.11.3470	47 Ohm	2%, 0.25W, MF		
R....32	57.11.5106	10 MOhm	5%, 0.25W, MF		
R....33	57.11.3102	1 kOhm	2%, 0.25W, MF		
R....34	57.11.3223	22 kOhm	2%, 0.25W, MF		
R....35	57.11.3223	22 kOhm	2%, 0.25W, MF		

S T U D E R (00) 89/03/21 Wth AUDIO CONTROL BOARD PL 1.727.670.00 PAGE 3

AUDIO CONTROL BOARD (2CH) 1.727.670.82 / 1.727.671.82 (HS)



D6	STD	W5 - W7	1.727.670.00 / .81 / .82
D6	D7	HSD	W6 - W8
		LSD	W6 - W8

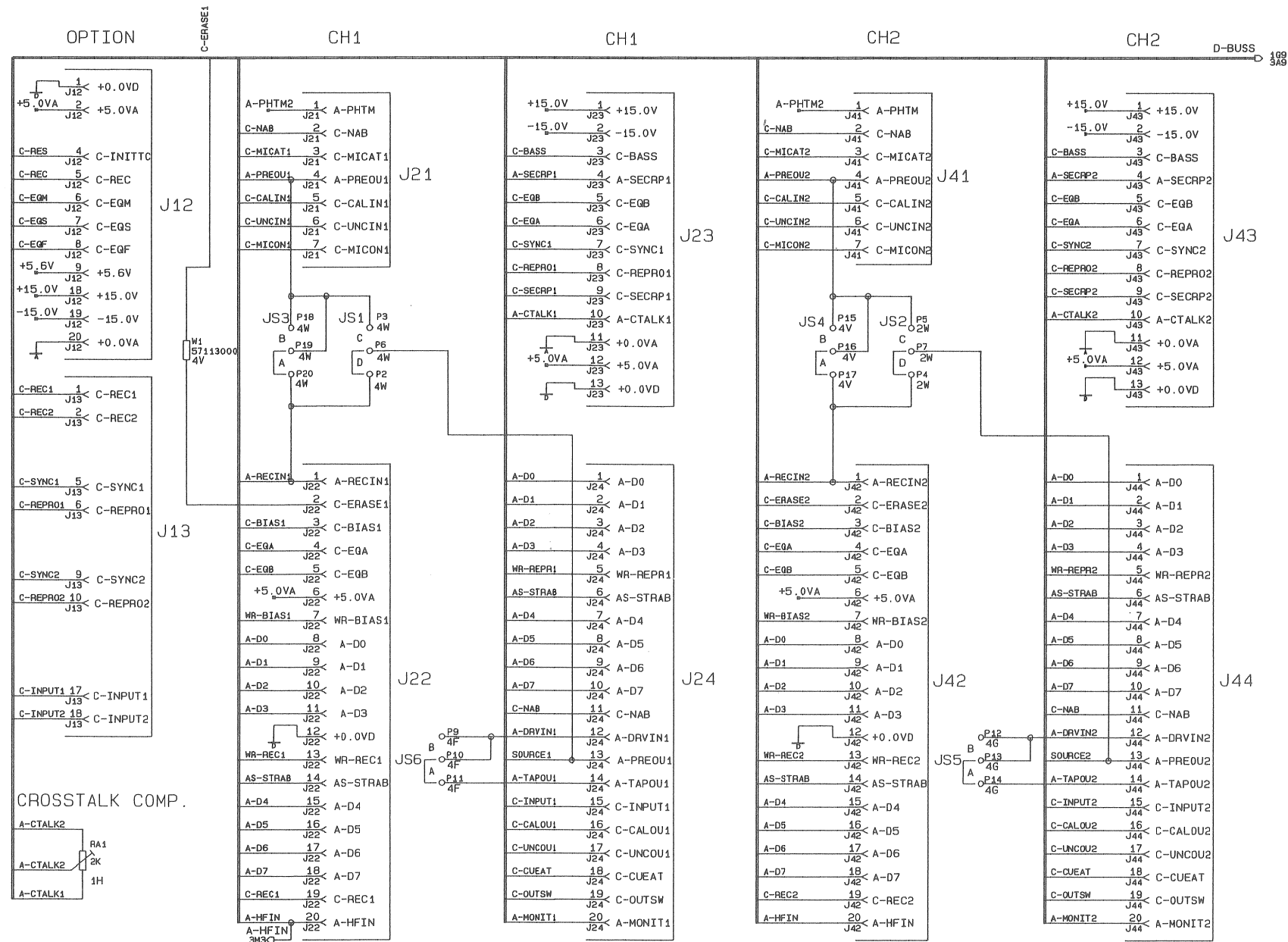
★ J1.18A NOT USED FOR 1.727.670.00 / 671.00

① 30.05.90	DS	① 13.11.90 DS			
STUDER			A 807 GR40		PAGE 1 OF 3
AUDIO CONTROL BOARD 2CH			SC 1.727.670-82		

AUDIO CONTROL BOARD (2CH) 1.727.670.82 / 1.727.671.82 (HS)

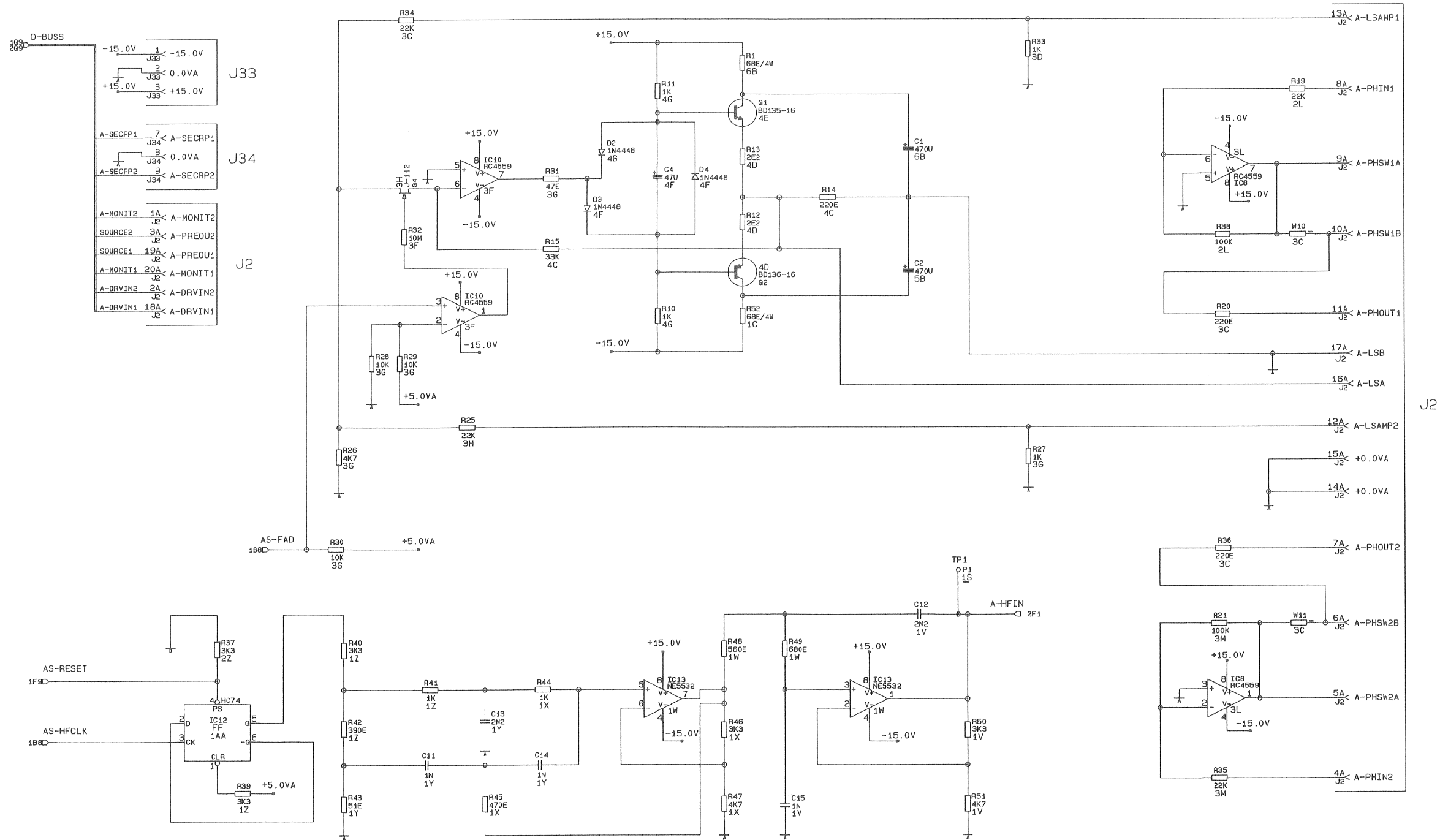
JUMPER-POSITION JS1, JS2
SOURCE-SIGNAL:
C= FROM PREAMPLIFIER
D= FROM RECORD INPUT

JUMPER-POSITION JS3, JS4, JS5, JS6
A= WITHOUT OPTION
B= WITH OPTION



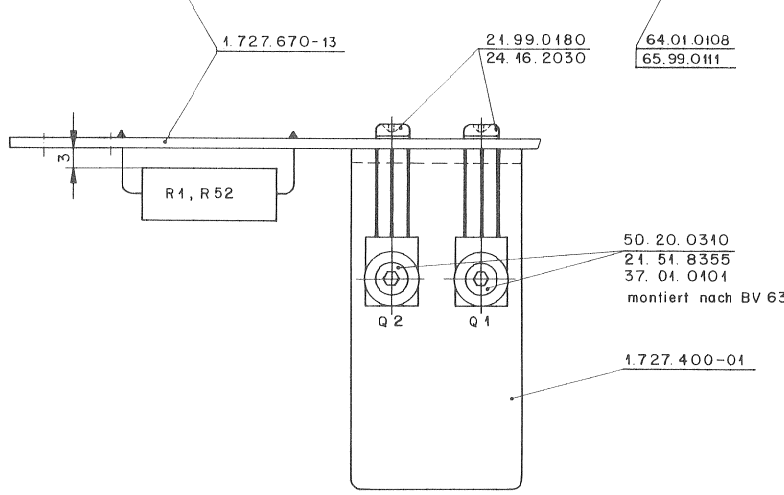
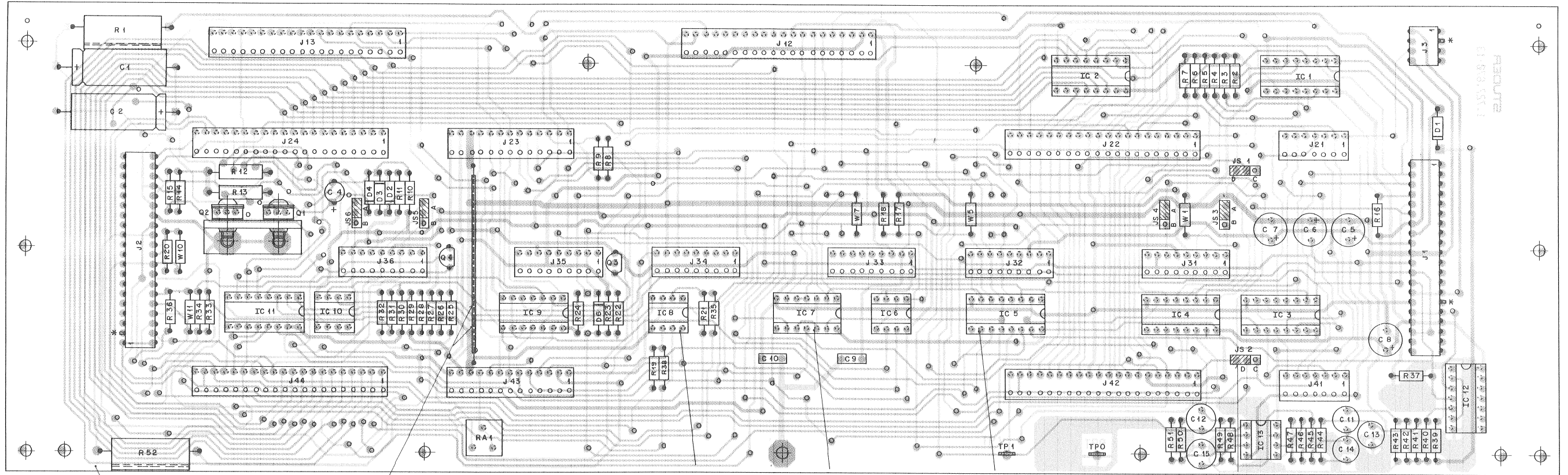
① 30.05.90 DS	① 13.11.90 DS	○	○	○
A 807 GR40			PAGE 2 OF 3	
STUDER		AUDIO CONTROL BOARD 2CH SC 1.727.670-82		

AUDIO CONTROL BOARD (2CH) 1.727.670.82 / 1.727.671.82 (HS)



① 30.05.90 DS	① 13.11.90 DS	○	○	○
A 807 GR40			PAGE 3 OF 3	
STUDER		AUDIO CONTROL BOARD 2CH		SC 1.727.670-82

AUDIO CONTROL BOARD (2CH) 1.727.670.82 / 1.727.671.82 (HS)



53.03.0466 (4x) 53.03.0167 (3x) 53.03.0168 (6x)

Bestückt
54.01.0021 (6x)
Jumper - Position JS1, JS2
Source - Signal
C = from Pre - Amplifier
D = from Record - Input

Jumper - Position JS3, JS4, JS5, JS6
A = without Option
B = with Option

IND.	POS.NO.	PART NO.	VALUE	SPECIFICATIONS / EQUIVALENT	MANUF.	IND.	POS.NO.	PART NO.	VALUE	SPECIFICATIONS / EQUIVALENT	MANUF.
C....1	59.25.3471	470 uF	-20%	16 V EL		J....1	54.01.0248	20-POLE	CIS Socket Strip	AMP	
C....2	59.25.3471	470 uF	-20%	16 V EL		J....2	54.01.0248	20-POLE	CIS Socket Strip	AMP	
C....4	59.22.3470	47 uF	-20%	10 V EL		J....3	54.01.0304	4-POLE	CIS Socket Strip	AMP	
C....5	59.22.8100	10 uF	-20%	63 V EL		J....11			not used		
C....6	59.22.5101	100 uF	-20%	25 V EL		J....12	54.01.0226	20-POLE	CIS Socket Strip	AMP	
C....7	59.22.5101	100 uF	-20%	25 V EL		J....13	54.01.0226	20-POLE	CIS Socket Strip	AMP	
C....8	59.22.5101	100 uF	-20%	25 V EL		J....21	54.01.0219	7-POLE	CIS Socket Strip	AMP	
C....9	59.06.0683	68 nF	10%	63 V PETP		J....22	54.01.0226	20-POLE	CIS Socket Strip	AMP	
C....10	59.06.0683	68 nF	10%	63 V PETP		J....23	54.01.0292	13-POLE	CIS Socket Strip	AMP	
C....11	59.05.1102	1 nF	1%	160 V PP		J....24	54.01.0226	20-POLE	CIS Socket Strip	AMP	
C....12	59.05.1222	2.2 nF	1%	160 V PP		J....31	54.01.0217	9-POLE	CIS Socket Strip	AMP	
C....13	59.05.1222	2.2 nF	1%	160 V PP		J....32	54.01.0217	9-POLE	CIS Socket Strip	AMP	
C....14	59.05.1102	1 nF	1%	160 V PP		J....33	54.01.0217	9-POLE	CIS Socket Strip	AMP	
C....15	59.05.1102	1 nF	1%	160 V PP		J....34	54.01.0217	9-POLE	CIS Socket Strip	AMP	
D....1	50.04.0512	1N5819		30V	Not	J....35	54.01.0217	9-POLE	CIS Socket Strip	AMP	
D....2	50.04.0125	1N4448		50V		J....36	54.01.0217	9-POLE	CIS Socket Strip	AMP	
D....3	50.04.0125	1N4448		50V		J....41	54.01.0218	7-POLE	CIS Socket Strip	AMP	
D....4	50.04.0125	1N4448		50V		J....42	54.01.0226	20-POLE	CIS Socket Strip	AMP	
D....5				not used		J....43	54.01.0292	13-POLE	CIS Socket Strip	AMP	
D....6	50.04.0125	1N4448		50V		J....44	54.01.0226	20-POLE	CIS Socket Strip	AMP	
D....7				not used		JS....1	54.01.0021		Bridge		
IC....1	50.07.0018	MC1494		CMOS	Not	JS....2	54.01.0021		Bridge		
IC....2	50.07.0018	MC1494		CMOS	Not	JS....3	54.01.0021		Bridge		
IC....3	50.07.0018	MC1494		CMOS	Not	JS....4	54.01.0021		Bridge		
IC....4	50.07.0018	MC1494		CMOS	Not	JS....5	54.01.0021		Bridge		
IC....5	50.07.0018	MC1494		CMOS	Not	JS....6	54.01.0021		Bridge		
IC....6	50.05.0283	LM393		Dual Comparator		MP....1	1.727.670.13		1 pce Audio Control PCB	St	
IC....7	50.17.1000	74HC00		HCMOS		MP....2	1.727.400.01		1 pce Heatsink	St	
IC....8	50.09.0107	RC4559		Dual Op. Amp.		MP....3	1.727.670.10		1 pce No. label	St	
IC....9	50.17.1002	74HC02		HCMOS		MP....4	21.99.0180		2 pce Screw M3 x 5		
IC....10	50.09.0107	RC4559		Dual Op. Amp.		MP....5	21.53.0355		2 pce Screw M3 x 8		
IC....11	50.07.0018	MC1494		CMOS	Not	MP....6	24.16.2030		2 pce Lock washer		
IC....12	50.17.1074	74HC74		HCMOS		MP....7	37.01.0101		4 pce Lock washer	St	
IC....13	50.09.0105	NE5532		Dual Op. Amp.		MP....8	43.01.0108		1 pce ESE warning label	St	
						MP....9	54.01.0020		18 pce Contact pin		

AUDIO CONTROL BOARD (2CH) 1.727.670.82

IND.	POS.NO.	PART NO.	VALUE	SPECIFICATIONS / EQUIVALENT	MANUF.
Q....1	50.03.0495	BD135-16		NPN	
Q....2	50.03.0510	BD136-16		PNP	
Q....3	50.03.0436	BC237B		BC547B, BC550B	
Q....4	50.03.0350	MPF4392		J112	Met,Six
R....1	57.56.5680	68 Ohm	2%	4 W, DR	
R....2	57.11.3332	3.3 kOhm	2%	0.25W, MF	
R....3	57.11.3332	3.3 kOhm	2%	0.25W, MF	
R....4	57.11.3332	3.3 kOhm	2%	0.25W, MF	
R....5	57.11.3332	3.3 kOhm	2%	0.25W, MF	
R....6	57.11.3332	3.3 kOhm	2%	0.25W, MF	
R....7	57.11.3332	3.3 kOhm	2%	0.25W, MF	
R....8	57.11.3332	3.3 kOhm	2%	0.25W, MF	
R....9	57.11.3332	3.3 kOhm	2%	0.25W, MF	
R....10	57.11.3102	1 kOhm	2%	0.25W, MF	
R....11	57.11.3102	1 kOhm	2%	0.25W, MF	
R....12	57.13.4229	2.2 Ohm	2%	0.5 W, MF	
R....13	57.13.4229	2.2 Ohm	2%	0.5 W, MF	
R....14	57.11.3221	220 Ohm	2%	0.25W, MF	
R....15	57.11.3333	33 kOhm	2%	0.25W, MF	
R....16	57.11.3332	3.3 kOhm	2%	0.25W, MF	
R....17	57.11.3103	10 kOhm	2%	0.25W, MF	
R....18	57.11.3103	10 kOhm	2%	0.25W, MF	
R....19	57.11.3223	22 kOhm	2%	0.25W, MF	
R....20	57.11.3221	220 Ohm	2%	0.25W, MF	
R....21	57.11.3104	100 kOhm	2%	0.25W, MF	
R....22	57.11.3103	10 kOhm	2%	0.25W, MF	
R....23	57.11.3103	10 kOhm	2%	0.25W, MF	
R....24	57.11.3332	3.3 kOhm	2%	0.25W, MF	
R....25	57.11.3223	22 kOhm	2%	0.25W, MF	
R....26	57.11.3472	4.7 kOhm	2%	0.25W, MF	
R....27	57.11.3102	1 kOhm	2%	0.25W, MF	
R....28	57.11.3103	10 kOhm	2%	0.25W, MF	
R....29	57.11.3103	10 kOhm	2%	0.25W, MF	
R....30	57.11.3103	10 kOhm	2%	0.25W, MF	
R....31	57.11.3470	47 Ohm	2%	0.25W, MF	
R....32	57.11.5106	10 MOhm	5%	0.25W, MF	

S T U D E R (00) 90/04/18 Wth AUDIO CONTROL BOARD PL 1.727.670.82 PAGE 3

IND.	POS.NO.	PART NO.	VALUE	SPECIFICATIONS / EQUIVALENT	MANUF.
R....33	57.11.3102	1 kOhm	2%	0.25W, MF	
R....34	57.11.3223	22 kOhm	2%	0.25W, MF	
R....35	57.11.3223	22 kOhm	2%	0.25W, MF	
R....36	57.11.3221	220 Ohm	2%	0.25W, MF	
R....37	57.11.3332	3.3 kOhm	2%	0.25W, MF	
R....38	57.11.3104	100 kOhm	2%	0.25W, MF	
R....39	57.11.3332	3.3 kOhm	2%	0.25W, MF	
R....40	57.11.3332	3.3 kOhm	2%	0.25W, MF	
R....41	57.11.3102	1 kOhm	2%	0.25W, MF	
R....42	57.11.3391	390 Ohm	2%	0.25W, MF	
R....43	57.11.3510	51 Ohm	1%	0.25W, MF	
R....44	57.11.3102	1 kOhm	2%	0.25W, MF	
R....45	57.11.3471	470 Ohm	2%	0.25W, MF	
R....46	57.11.3332	3.3 kOhm	2%	0.25W, MF	
R....47	57.11.3472	4.7 kOhm	2%	0.25W, MF	
R....48	57.11.3561	560 Ohm	2%	0.25W, MF	
R....49	57.11.3681	680 Ohm	2%	0.25W, MF	
R....50	57.11.3332	3.3 kOhm	2%	0.25W, MF	
R....51	57.11.3472	4.7 kOhm	2%	0.25W, MF	
R....52	57.56.5680	68 Ohm	2%	4 W, DR	
RA....1	58.01.8202	2 kOhm		Potmeter PMG	
TP....0	54.02.0320			PLUG 2.8*0.8	
TP....1	54.02.0320			PLUG 2.8*0.8	
W....1	57.11.3000			Wire Bridge	
W....5	57.11.3000			Wire Bridge	
W....6				not used	
W....7	57.11.3000			Wire Bridge	
W....8				not used	
W....9				not used	
W....10	57.11.3000			Wire Bridge	
W....11	57.11.3000			Wire Bridge	
XIC...1	53.03.0168	16 pol		IC Socket	
XIC...2	53.03.0168	16 pol		IC Socket	

S T U D E R (00) 90/04/18 Wth AUDIO CONTROL BOARD PL 1.727.670.82 PAGE 4

IND.	POS.NO.	PART NO.	VALUE	SPECIFICATIONS / EQUIVALENT	MANUF.
XIC...3	53.03.0168	16 pol		IC Socket	
XIC...4	53.03.0168	16 pol		IC Socket	
XIC...5	53.03.0168	16 pol		IC Socket	
XIC...6	53.03.0166	8 pol		IC Socket	
XIC...7	53.03.0167	14 pol		IC Socket	
XIC...8	53.03.0166	8 pol		IC Socket	
XIC...9	53.03.0167	14 pol		IC Socket	
XIC...10	53.03.0166	8 pol		IC Socket	
XIC...11	53.03.0168	16 pol		IC Socket	
XIC...12	53.03.0167	14 pol		IC Socket	
XIC...13	53.03.0166	8 pol		IC Socket	

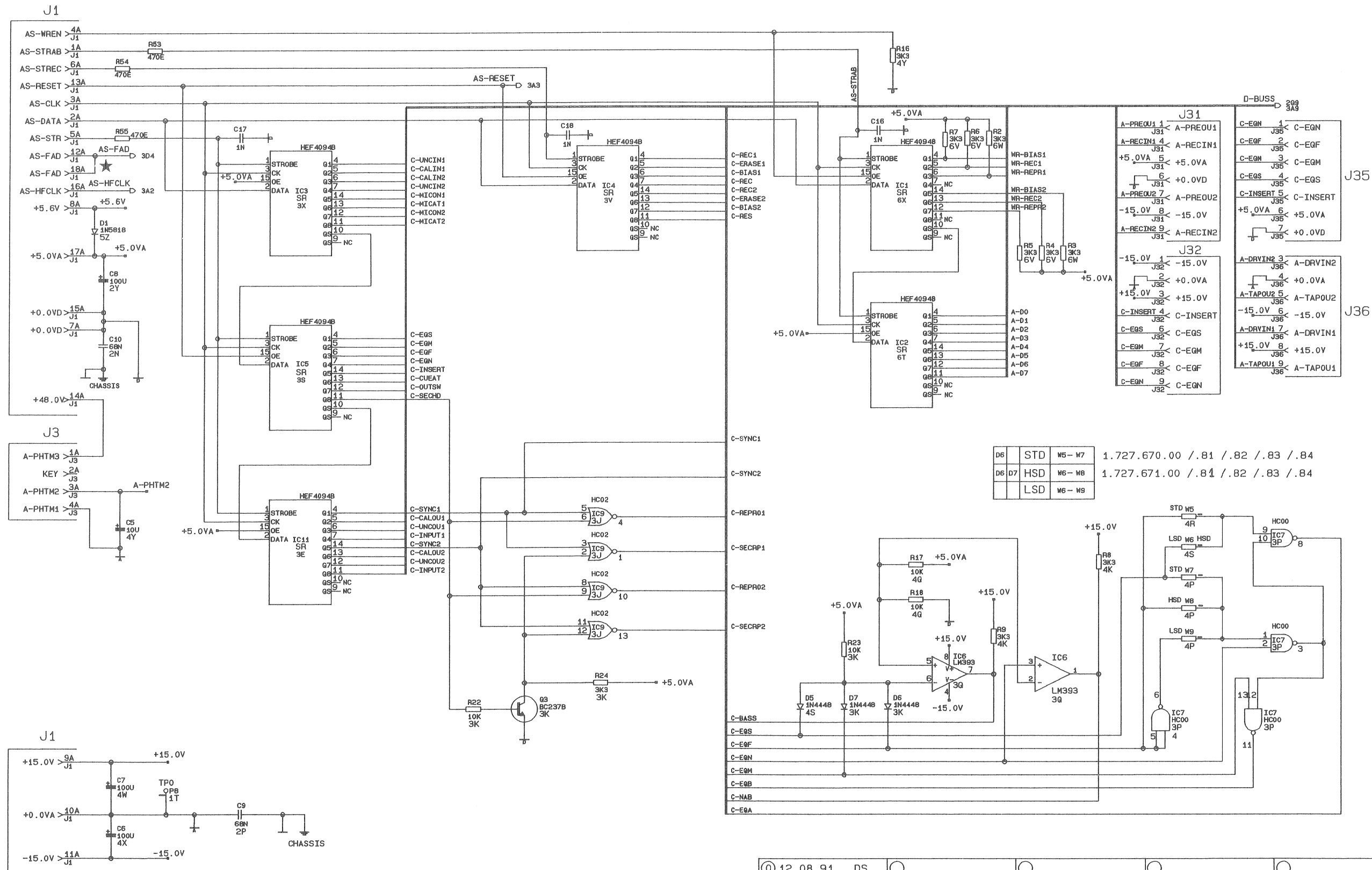
EL=Electrolytic, PP=Polypropylen, SI=Silicon, MF=Metal Film
PETP=Polyester.

MANUFACTURER:Met=Motorola, St=Studer, Six=Siliconix

ORIG 90/04/18

S T U D E R (00) 90/04/18 Wth AUDIO CONTROL BOARD PL 1.727.670.82 PAGE 5

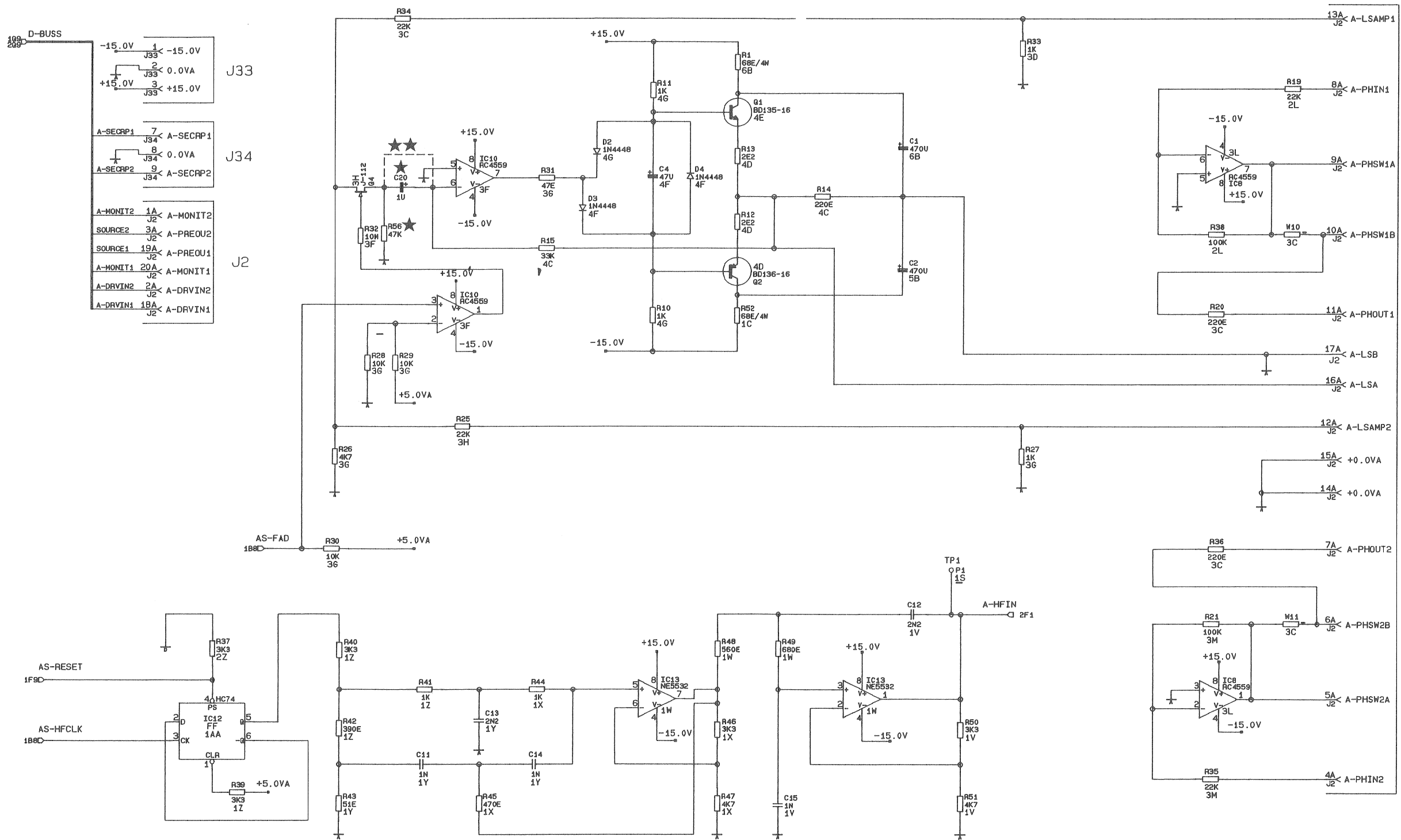
AUDIO CONTROL BOARD (2CH) 1.727.670.84 / 1.727.671.84 (HS)



★ J1.18A NOT USED FOR 1.727.670.00 / 671.00

12.08.91	DS				
STUDER		AUDIO CONTROL BOARD 2CH		PAGE 1 OF 3	
		A 807 GR40		SQ 1.727.670-84	

AUDIO CONTROL BOARD (2CH) 1.727.670.84 / 1.727.671.84 (HS)

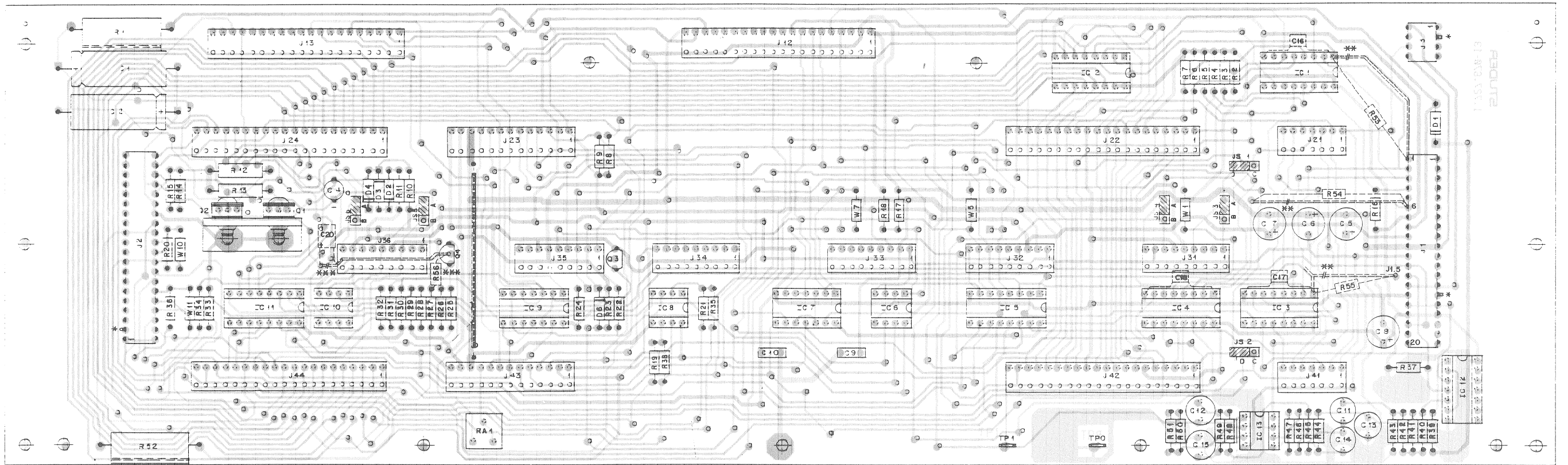


★C20, R56 FOR PCB 1.727.670-13 ONLY

★★FOR PCB 1.727.670-11 AND-12

① 12.08.91	DS								
STUDER					A 807 GR40			PAGE 3 OF 3	
AUDIO CONTROL BOARD 2CH					SC	1.727.670-84			

AUDIO CONTROL BOARD (2CH) 1.727.670.84 / 1.727.671.84 (HS)



1.727.670-13

24.39.0180
24.16.2030

64.01.0108
65.99.0111

53.03.0166 (4x)

53.03.0167 (3x)

53.03.0168 (6x)

Bestückt

54.01.0021 (6x)

Jumper - Position JS1, JS2

Source - Signal

C = from Pre - Amplifier
D = from Record - Input

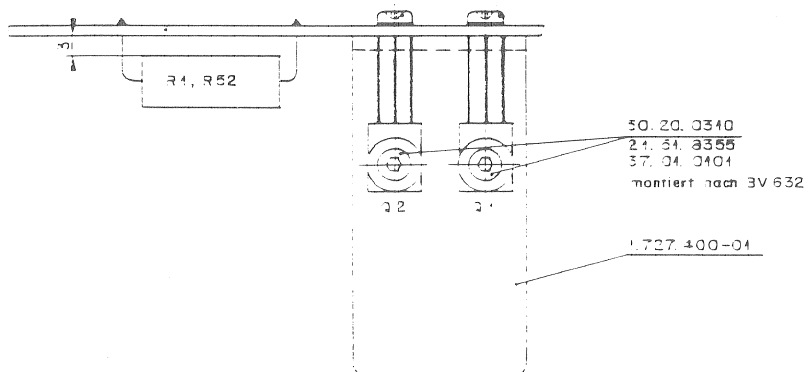
Jumper - Position JS3, JS4, JS5, JS6

A = without Option

B = with Option

** Leiterbahn auf Lötseite auftrennen.
C16, C17, C18, R53, R54, R55
auf Lötseite und mit Teflonschlauch
65.99.0111 isolieren (ohne R55).

*** Leiterbahn auf Lötseite auftrennen.
C20 und R56 auf Lötseite.
(für C20 Lötstopp einseitig entfernen). nur bei PCB
1.727.670-13



AUDIO CONTROL BOARD (2CH) 1.727.670.84

IND.	POS.NO.	PART NO.	VALUE	SPECIFICATIONS / EQUIVALENT	MANUF.	IND.	POS.NO.	PART NO.	VALUE	SPECIFICATIONS / EQUIVALENT	MANUF.
C.....1	59.25.3471	470 nF	-20%	16 V EL		R....27	57.11.3102	1 kOhm	2%, 0.25W, MF		
C.....2	59.25.3471	470 nF	-20%	16 V EL		R....28	57.11.3103	10 kOhm	2%, 0.25W, MF		
C.....4	59.22.3470	47 nF	-20%	10 V EL		R....29	57.11.3103	10 kOhm	2%, 0.25W, MF		
C.....5	59.22.8100	10 nF	-20%	63 V EL		R....30	57.11.3103	10 kOhm	2%, 0.25W, MF		
C.....6	59.22.5101	100 nF	-20%	25 V EL		R....31	57.11.3470	47 Ohm	2%, 0.25W, MF		
C.....7	59.22.5101	100 nF	-20%	25 V EL		R....32	57.11.5106	10 MOhm	5%, 0.25W, MF		
C.....8	59.22.5101	100 nF	-20%	25 V EL		R....33	57.11.3102	1 kOhm	2%, 0.25W, MF		
C.....9	59.06.0683	68 nF	10%	63 V PETP		R....34	57.11.3223	22 kOhm	2%, 0.25W, MF		
C.....10	59.06.0683	68 nF	10%	63 V PETP		R....35	57.11.3223	22 kOhm	2%, 0.25W, MF		
C.....11	59.05.1102	1 nF	1%	160 V PP		R....36	57.11.3221	220 Ohm	2%, 0.25W, MF		
C.....12	59.05.1222	2.2 nF	1%	160 V PP		R....37	57.11.3332	3.3 kOhm	2%, 0.25W, MF		
C.....13	59.05.1222	2.2 nF	1%	160 V PP		R....38	57.11.3104	100 kOhm	2%, 0.25W, MF		
C.....14	59.05.1102	1 nF	1%	160 V PP		R....39	57.11.3332	3.3 kOhm	2%, 0.25W, MF		
C.....15	59.05.1102	1 nF	1%	160 V PP		R....40	57.11.3332	3.3 kOhm	2%, 0.25W, MF		
C.....16	59.44.4102	1 nF	20%	50 V CER		R....41	57.11.3102	1 kOhm	2%, 0.25W, MF		
C.....17	59.44.4102	1 nF	20%	50 V CER		R....42	57.11.3391	390 Ohm	2%, 0.25W, MF		
C.....18	59.44.4102	1 nF	20%	50 V CER		R....43	57.11.3510	51 Ohm	1%, 0.25W, MF		
C.....19			not used			R....44	57.11.3561	560 Ohm	2%, 0.25W, MF		
C.....20	59.26.5109	10 nF	20%	25 V SAL/ see note 1		R....45	57.11.3471	470 Ohm	2%, 0.25W, MF		
D.....1	50.04.0512	1N5819	30V		Not	R....46	57.11.3332	3.3 kOhm	2%, 0.25W, MF		
D.....2	50.04.0125	1N4948	50V			R....47	57.11.3472	4.7 kOhm	2%, 0.25W, MF		
D.....3	50.04.0125	1N4448	50V			R....48	57.11.3561	560 Ohm	2%, 0.25W, MF		
D.....4	50.04.0125	1N4448	50V			R....49	57.11.3681	680 Ohm	2%, 0.25W, MF		
D.....5			not used			R....50	57.11.3332	3.3 kOhm	2%, 0.25W, MF		
D.....6	50.04.0125	1N4448	50V			R....51	57.11.3472	4.7 kOhm	2%, 0.25W, MF		
D.....7			not used			R....52	57.56.5680	68 Ohm	2%, 4 W, DR		
IC.....1	50.07.0018	MC14094	CMOS		Not	R....53	57.11.3471	470 Ohm	2%, 0.25W, MF		
IC.....2	50.07.0018	MC14094	CMOS		Not	R....54	57.11.3471	470 Ohm	2%, 0.25W, MF		
IC.....3	50.07.0018	MC14094	CMOS		Not	R....55	57.11.3471	470 Ohm	2%, 0.25W, MF		
IC.....4	50.07.0018	MC14094	CMOS		Not	RA....1	58.01.8202	2 kOhm	Potmeter PMG		
IC.....5	50.07.0018	MC14094	CMOS		Not	TP....0	54.02.0320		PLUG 2.8x0.8		
IC.....6	50.05.0283	LMS93	Dual Comparator			TP....1	54.02.0320		PLUG 2.8x0.8		
IC.....7	50.17.1000	74HC00	HCMOS			W.....1	57.11.3000		Wire Bridge		
IC.....8	50.09.0107	RC4559	Dual Op. Amp.								
IC.....9	50.17.1002	74HC02	HCMOS								

S T U D E R (00) 91/08/12 GP AUDIO CONTROL BOARD PL 1.727.670.84 PAGE 1 S T U D E R (00) 91/08/12 GP AUDIO CONTROL BOARD PL 1.727.670.84 PAGE 4

IND.	POS.NO.	PART NO.	VALUE	SPECIFICATIONS / EQUIVALENT	MANUF.	IND.	POS.NO.	PART NO.	VALUE	SPECIFICATIONS / EQUIVALENT	MANUF.
IC.....10	50.09.0107	RC4559	Dual Op. Amp.			W.....5	57.11.3000		Wire Bridge		
IC.....11	50.07.0018	MC14094	CMOS		Not	W.....6			not used		
IC.....12	50.17.1014	74HC74	HCMOS			W.....7	57.11.3000		Wire Bridge		
IC.....13	50.09.0105	N55532	Dual Op. Amp.			W.....8			not used		
J.....1	54.01.0248	20-POLE	CIS Socket Strip		AMP	W.....9			not used		
J.....2	54.01.0248	20-POLE	CIS Socket Strip		AMP	W.....10	57.11.3000		Wire Bridge		
J.....3	54.01.0304	4-POLE	CIS Socket Strip		AMP	W.....11	57.11.3000		Wire Bridge		
J.....11			not used			XIC....1	53.03.0168	16 pol	IC Socket		
J.....12	54.01.0226	20-POLE	CIS Socket Strip		AMP	XIC....2	53.03.0168	16 pol	IC Socket		
J.....13	54.01.0226	20-POLE	CIS Socket Strip		AMP	XIC....3	53.03.0168	16 pol	IC Socket		
J.....21	54.01.0218	7-POLE	CIS Socket Strip		AMP	XIC....4	53.03.0168	16 pol	IC Socket		
J.....22	54.01.0226	20-POLE	CIS Socket Strip		AMP	XIC....5	53.03.0168	16 pol	IC Socket		
J.....23	54.01.0292	13-POLE	CIS Socket Strip		AMP	XIC....6	53.03.0166	8 pol	IC Socket		
J.....24	54.01.0226	20-POLE	CIS Socket Strip		AMP	XIC....7	53.03.0167	14 pol	IC Socket		
J.....31	54.01.0217	9-POLE	CIS Socket Strip		AMP	XIC....8	53.03.0166	8 pol	IC Socket		
J.....32	54.01.0217	9-POLE	CIS Socket Strip		AMP	XIC....9	53.03.0167	14 pol	IC Socket		
J.....33	54.01.0217	9-POLE	CIS Socket Strip		AMP	XIC....10	53.03.0166	8 pol	IC Socket		
J.....34	54.01.0217	9-POLE	CIS Socket Strip		AMP	XIC....11	53.03.0168	16 pol	IC Socket		
J.....35	54.01.0217	9-POLE	CIS Socket Strip		AMP	XIC....12	53.03.0167	14 pol	IC Socket		
J.....36	54.01.0217	9-POLE	CIS Socket Strip		AMP	XIC....13	53.03.0166	8 pol	IC Socket		
J.....41	54.01.0218	7-POLE	CIS Socket Strip		AMP						
J.....42	54.01.0226	20-POLE	CIS Socket Strip		AMP						
J.....43	54.01.0292	13-POLE	CIS Socket Strip		AMP						
J.....44	54.01.0226	20-POLE	CIS Socket Strip		AMP						
JS....1	54.01.0021		Bridge								
JS....2	54.01.0021		Bridge								
JS....3	54.01.0021		Bridge								
JS....4	54.01.0021		Bridge								
JS....5	54.01.0021		Bridge								
JS....6	54.01.0021		Bridge								
MP....1	1.727.670.13	1 pcs	Audio Control PCB		St						
MP....2	1.727.670.01	1 pcs	Heat sink		St						
MP....3	1.727.670.10	1 pcs	No. label		St						
MP....4	21.99.0180	2 pcs	Screw M3 x 5		St						

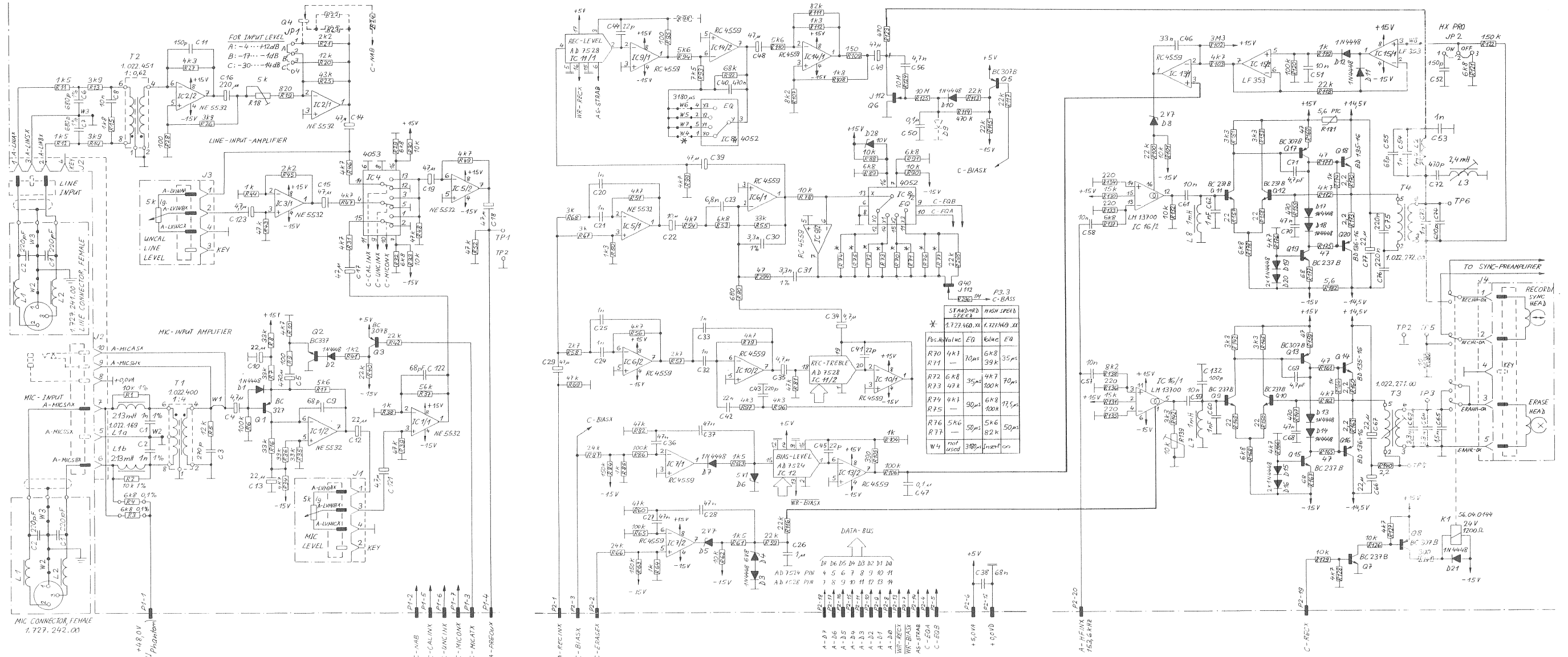
Note 1: Eliminates very low frequency oscillation at max. monitor-volume (for PCB 1.727.670-13 only).
 EL=Electrolytic, PP=Polypropylen, SI=Silicon, MF=Metal Film
 PETP=Polyester, SAL=Solid Aluminium
 MANUFACTURER:Mot=Motorola, St=Studer, Six=Siliconix
 ORIG 91/08/12

S T U D E R (00) 91/08/12 GP AUDIO CONTROL BOARD PL 1.727.670.84 PAGE 2 S T U D E R (00) 91/08/12 GP AUDIO CONTROL BOARD PL 1.727.670.84 PAGE 5

IND.	POS.NO.	PART NO.	VALUE	SPECIFICATIONS / EQUIVALENT	MANUF.
MP....5	21.53.0355	2 pcs	Screw M3 x 8		
MP....6	24.16.2030	2 pcs	Lock washer		
MP....7	37.01.0101	4 pcs	Lock washer		St
MP....8	43.01.0108	1 pcs	ESE warning label		St
MP....9	54.01.0020	18 pcs	Contact pin		
Q.....1	50.03.0495	BD135-16		NPN	
Q.....2	50.03.0510	BD136-16		PNP	
Q.....3	50.03.0436	BC237B		NPN	
Q.....4	50.03.0350	NPF4392	BC547B, BC550B	FET	Not/Six
R....1	57.56.5680	68 Ohm	2%, 4 W, DR		
R....2	57.11.3332	3.3 kOhm	2%, 0.25W, MF		
R....3	57.11.3332	3.3 kOhm	2%, 0.25W, MF		
R....4	57.11.3332	3.3 kOhm	2%, 0.25W, MF		
R....5	57.11.3332	3.3 kOhm	2%, 0.25W, MF		
R....6	57.11.3332	3.3 kOhm	2%, 0.25W, MF		
R....7	57.11.3332	3.3 kOhm	2%, 0.25W, MF		
R....8	57.11.3332	3.3 kOhm	2%, 0.25W, MF		
R....9	57.11.3332	3.3 kOhm	2%, 0.25W, MF		
R....10	57.11.3102	1 kOhm	2%, 0.25W, MF		
R....11	57.11.3102	1 kOhm	2%, 0.25W, MF		
R....12	57.13.4229	2.2 Ohm	2%, 0.5 W, MF		
R....13	57.19.4229	2.2 Ohm	2%, 0.5 W, MF		
R....14	57.11.3221	220 Ohm	2%, 0.25W, MF		
R....15	57.11.3333	33 kOhm	2%, 0.25W, MF		
R....16	57.11.3332	3.3 kOhm	2%, 0.25W, MF		
R....17	57.11.3103	10 kOhm	2%, 0.25W, MF		
R....18	57.11.3103	10 kOhm	2%, 0.25W, MF		
R....19	57.11.3223	22 kOhm	2%, 0.25W, MF		
R....20	57.11.3221	220 Ohm	2%, 0.25W, MF		
R....21	57.11.3104	100 kOhm	2%, 0.25W, MF		
R....22	57.11.3103	10 kOhm	2%, 0.25W, MF		
R....23	57.11.3103	10 kOhm	2%, 0.25W, MF		
R....24	57.11.3332	3.3 kOhm	2%, 0.25W, MF		
R....25	57.11.3223	22 kOhm	2%, 0.25W, MF		
R....26	57.11.3472	4.7 kOhm	2%, 0.25W, MF		

S T U D E R (00) 91/08/12 GP AUDIO CONTROL BOARD PL 1.727.670.84 PAGE 3

AUDIO ELECTRONICS BOARD 2VU 1.727.460.83
 -AUDIO ELECTRONICS BOARD 2VU HS 1.727.469.81

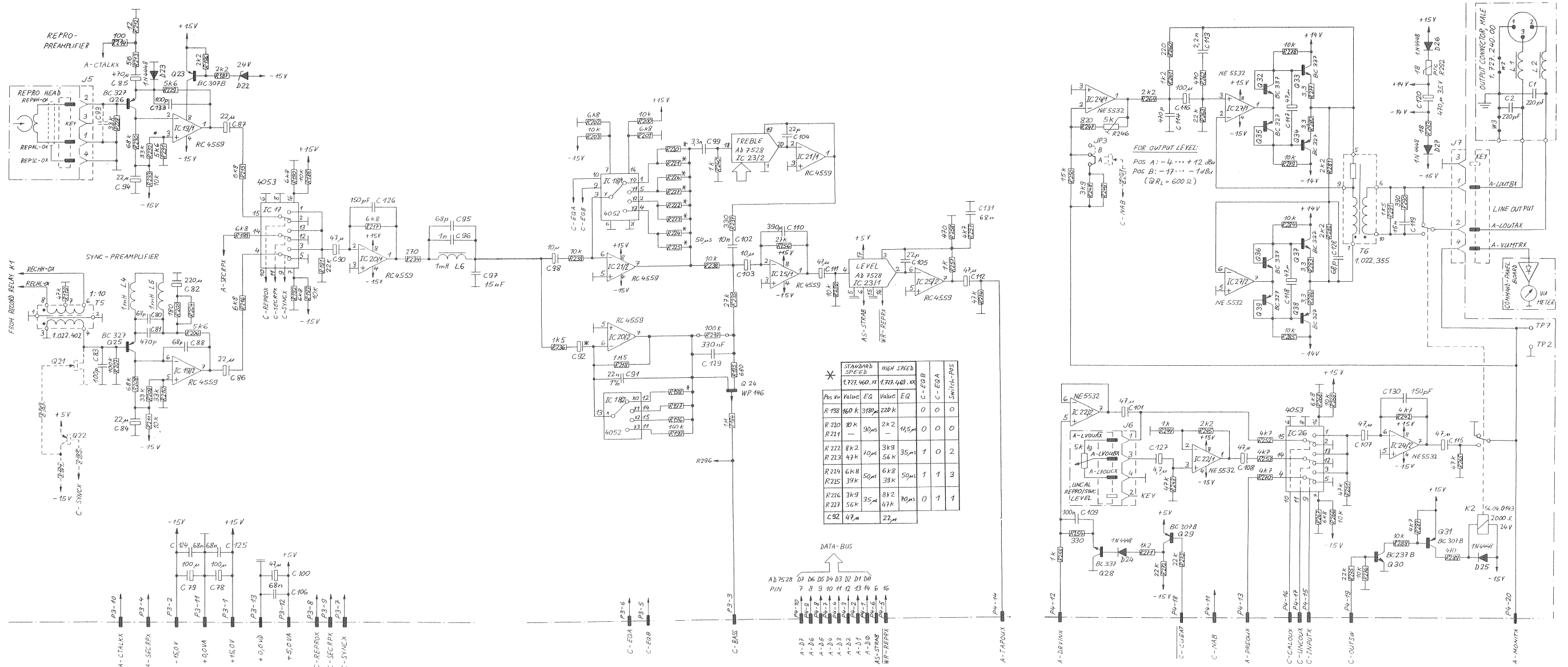


3.7.89 GP	A 807 GR 41/42	PAGE 1 OF 6
STUDER	AUDIO ELECTRONICS BOARD	SC 1.727.460.83
	AUDIO ELECTRONICS BOARD HS	1.727.469.81

3.7.89 GP	A 807 GR 41/42	PAGE 2 OF 6
STUDER	AUDIO ELECTRONICS BOARD	SC 1.727.460.83
	AUDIO ELECTRONICS BOARD HS	1.727.469.81

3.7.89 GP	A 807 GR 41/42	PAGE 3 OF 6
STUDER	AUDIO ELECTRONICS BOARD	SC 1.727.460.83
	AUDIO ELECTRONICS BOARD HS	1.727.469.81

AUDIO ELECTRONICS BOARD 2VU 1.727.460.83
 -AUDIO ELECTRONICS BOARD 2VU HS 1.727.469.81

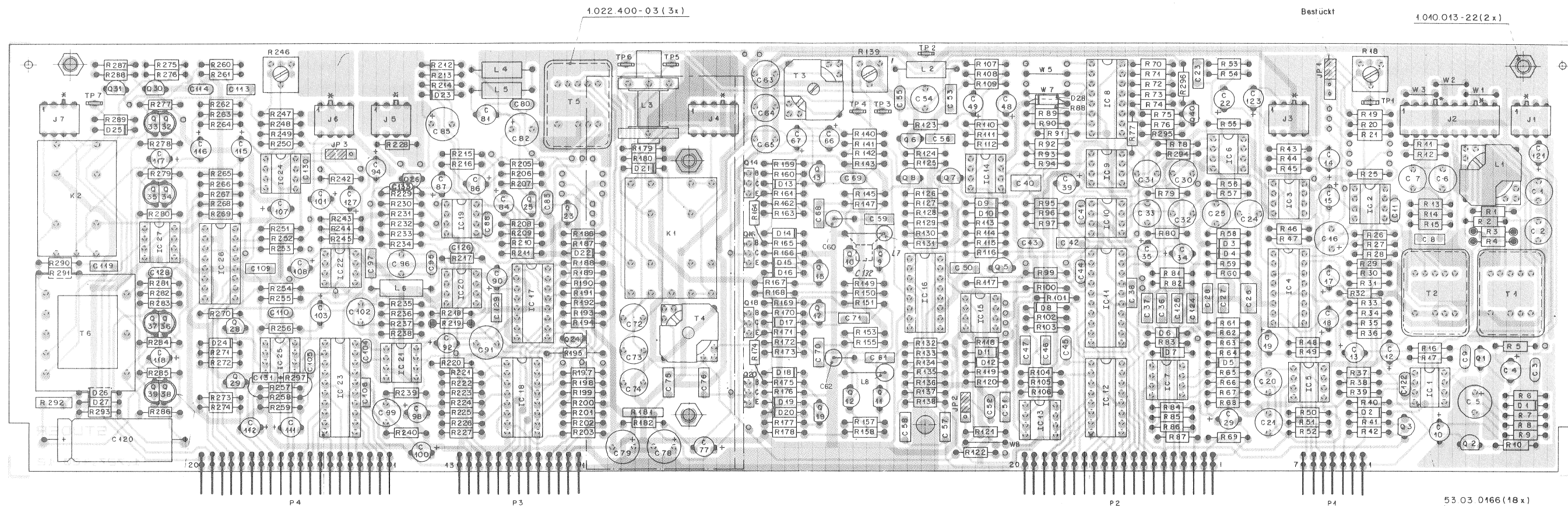


3.7.89 GP	A 807 GR 41/42	PAGE 4 OF 6
STUDER	AUDIO ELECTRONICS BOARD	SC 1.727.460.83
	AUDIO ELECTRONICS BOARD HS	1.727.469.81

3.7.89 GP	A 807 GR 41/42	PAGE 5 OF 6
STUDER	AUDIO ELECTRONICS BOARD	SC 1.727.460.83
	AUDIO ELECTRONICS BOARD HS	1.727.469.81

3.7.89 GP	A 807 GR 41/42	PAGE 6 OF 6
STUDER	AUDIO ELECTRONICS BOARD	SC 1.727.460.83
	AUDIO ELECTRONICS BOARD HS	1.727.469.81

AUDIO ELECTRONICS BOARD 2VU 1.727.460.83
 -AUDIO ELECTRONICS BOARD 2VU HS 1.727.469.81



50.20.2001 (4x)

53.03.0165 (2x)

1.727.420-12

1.010.043-22 (2x)

21.51.8355 (2x)
 24.16.4030 (2x)

1.727.420-02

1.727.420-01

R3, R4, R219 auf Sockel 53.03.0228 (6x)

* Codierung Schaltdraht 64.01.0108 ϕ 0,8x8mm (muss 4mm vorstehen)

Nr. Etikette 1.727.460-10
 Warnschild 43.01.0108

AUDIO ELECTRONICS BOARD 2VU 1.727.460.83

IND.	POS.NO.	PART NO.	VALUE	SPECIFICATIONS / EQUIVALENT	MANUF.	IND.	POS.NO.	PART NO.	VALUE	SPECIFICATIONS / EQUIVALENT	MANUF.	IND.	POS.NO.	PART NO.	VALUE	SPECIFICATIONS / EQUIVALENT	MANUF.	IND.	POS.NO.	PART NO.	VALUE	SPECIFICATIONS / EQUIVALENT	MANUF.
C...	1	59.05.1102	1 nF	1K 50V PP		C...	112	59.22.3470	47 uF	-20% 10V EL		MP...	8	1.727.420.01	1 pcw	Heatsink	St	R...	57	57.11.3272	2.7 kOhm	2% 0.25W MF	
C...	2	59.05.1102	1 nF	1K 50V PP		C...	113	59.06.0222	2.2 nF	10% 50V PETF		MP...	9	1.727.420.02	1 pcw	Thermoplastic	St	R...	58	57.11.3272	2.7 kOhm	2% 0.25W MF	
C...	3	59.34.4271	270 pF	10% 50V Cer		C...	114	59.34.4271	470 pF	10% 50V Cer		MP...	10	1.727.460.10	1 pcw	No. Label	St	R...	59	57.11.3223	22 kOhm	2% 0.25W MF	
C...	4	59.22.0479	4.7 uF	-20% 35V EL		C...	115	59.22.3470	47 uF	-20% 10V EL		MP...	11	1.727.420.12	1 pcw	Audio Electronics PCB	St	R...	60	57.11.3473	47 kOhm	2% 0.25W MF	
C...	5	59.22.2471	470 uF	-20% 6.3V EL		C...	116	59.22.3101	100 uF	-20% 10V EL		MP...	12	1.022.400.03	3 pcw	Isolation T1, T2, T5	St	R...	61	57.11.3152	1.5 kOhm	2% 0.25W MF	
C...	6	59.05.1681	680 pF	1% 50V PP		C...	117	59.22.3470	47 uF	-20% 10V EL		MP...	13	1.010.013.22	2 pcw	Rivet Nut M3x3	St	R...	62	57.11.3103	10 kOhm	2% 0.25W MF	
C...	7	59.05.1681	680 pF	1% 50V PP		C...	118	59.22.3470	47 uF	-20% 10V EL		MP...	14	50.20.2002	4 pcw	Clip, T0126		R...	63	57.11.3154	150 kOhm	2% 0.25W MF	
C...	8	59.06.0103	10 nF	10% 50V PETF		C...	119	59.06.0153	15 nF	10% 50V PETF		MP...	15	43.01.0108	1 pcw	ESE Warning Label		R...	64	57.11.3102	1 kOhm	2% 0.25W MF	
C...	9	59.34.4680	68 pF	10% 50V Cer		C...	120	59.25.5471	470 uF	-20% 35V EL		MP...	16	53.03.0228	6 pcw	1-Pole Socket (R3,R4,R219)		R...	65	57.11.3104	100 kOhm	2% 0.25W MF	
C...	10	59.22.5220	22 uF	-20% 25V EL		C...	121	59.22.0479	4.7 uF	-20% 35V EL								R...	66	57.11.3243	24 kOhm	2% 0.25W MF	
C...	11	59.34.4151	150 pF	10% 50V Cer		C...	122	59.34.4680	68 pF	10% 50V Cer		P...	1	54.01.0223	7-Pole	CIS Pin Strip		R...	67	57.11.3302	3 kOhm	2% 0.25W MF	
C...	12	59.22.5220	22 uF	-20% 25V EL		C...	123	59.22.0479	4.7 uF	-20% 35V EL		P...	2	54.01.0261	20-Pole	CIS Pin Strip		R...	68	57.11.3302	3 kOhm	2% 0.25W MF	
C...	13	59.22.5220	22 uF	-20% 25V EL		C...	124	59.06.0683	68 nF	10% 50V PETF		P...	3	54.01.0273	18-Pole	CIS Pin Strip		R...	69	57.11.3473	47 kOhm	2% 0.25W MF	
C...	14	59.22.3470	47 uF	-20% 10V EL		C...	125	59.06.0683	68 nF	10% 50V PETF		P...	4	54.01.0261	20-Pole	CIS Pin Strip		R...	70	57.11.3472	4.7 kOhm	2% 0.25W MF	
C...	15	59.22.3470	47 uF	-20% 10V EL		C...	126	59.34.4151	150 pF	10% 50V Cer		Q...	1	50.03.0625	BC327		PNP	R...	71	57.11.3682	6.8 kOhm	2% 0.25W MF	
C...	16	59.22.2221	220 uF	-20% 6.3V EL		C...	127	59.22.0479	4.7 uF	-20% 35V EL		Q...	2	50.03.0340	BC337-25		NPN	R...	72	57.11.3473	47 kOhm	2% 0.25W MF	
C...	17	59.22.3470	47 uF	-20% 10V EL		C...	128	59.34.4680	68 pF	10% 50V Cer		Q...	3	50.03.0515	BC307		PNP	R...	73	57.11.3472	4.7 kOhm	2% 0.25W MF	
C...	18	59.22.3470	47 uF	-20% 10V EL		C...	129	59.06.5334	330 nF	5% 50V PETF		Q...	4	50.03.0515	BC307		PNP	R...	74	57.11.3472	4.7 kOhm	2% 0.25W MF	
C...	19	59.22.3470	47 uF	-20% 10V EL		C...	130	59.34.4151	150 pF	10% 50V Cer		Q...	5	50.03.0515	BC307		PNP	R...	75	57.11.3473	47 kOhm	2% 0.25W MF	
C...	20	59.05.2102	1 nF	2.5% 50V PP		C...	131	59.06.0683	68 nF	10% 50V PETF		Q...	6	50.03.0515	BC307		PNP	R...	76	57.11.3562	5.6 kOhm	2% 0.25W MF	
C...	21	59.05.2102	1 nF	2.5% 50V PP		C...	132	59.34.4101	100 pF	5% 50V Cer		Q...	7	50.03.0350	J112		FET	R...	77	57.11.3562	5.6 kOhm	2% 0.25W MF	
C...	22	59.22.6100	10 uF	-20% 35V EL		C...	133	59.34.4101	100 pF	5% 50V Cer		Q...	8	50.03.0515	BC307		PNP	R...	78	57.11.3103	10 kOhm	2% 0.25W MF	
C...	23	59.06.5682	6.8 nF	5% 50V PETF		D...	1	50.04.0125	1N4448	50V SI		Q...	9	50.03.0436	BC237B	BC547B, BC550B	NPN	R...	79	57.11.3472	4.7 kOhm	2% 0.25W MF	
C...	24	59.05.2102	1 nF	2.5% 50V PP		D...	2	50.04.0125	1N4448	50V SI		Q...	10	50.03.0436	BC237B	BC547B, BC550B	NPN	R...	80	57.11.3681	680 Ohm	2% 0.25W MF	
C...	25	59.05.2102	1 nF	2.5% 50V PP		D...	3	50.04.0125	1N4448	50V SI		Q...	11	50.03.0436	BC237B	BC547B, BC550B	NPN	R...	81	57.11.3473	47 kOhm	2% 0.25W MF	
C...	26	59.06.0104	3 nF	10% 50V PETF		D...	4	50.04.0125	1N4448	50V SI		Q...	12	50.03.0436	BC237B	BC547B, BC550B	NPN	R...	82	57.11.3472	4.7 kOhm	2% 0.25W MF	
C...	27	59.06.0473	47 nF	10% 50V PETF		D...	5	50.04.1102	6.8 uF	5% 0.4W Zener		Q...	13	50.03.0515	BC307	BC557B, BC560B	PNP	R...	83	57.11.3579	1.5 kOhm	2% 0.25W MF	
C...	28	59.06.0473	47 nF	10% 50V PETF		D...	6	50.04.1106	2.7 uF	5% 0.4W Zener		Q...	14	50.03.0515	BC307	BC557B, BC560B	PNP	R...	84	57.11.3154	150 kOhm	2% 0.25W MF	
C...	29	59.22.3470	47 uF	-20% 10V EL		D...	7	50.04.1112	5.1 uF	5% 0.4W Zener		Q...	15	50.03.0495	BD135-16		PNP	R...	85	57.11.3102	1 kOhm	2% 0.25W MF	
C...	30	59.05.1332	3.3 nF	1% 50V PP		D...	8	50.04.1106	2.7 uF	5% 0.4W Zener		Q...	16	50.03.0436	BC237B	BC547B, BC550B	NPN	R...	86	57.11.3104	100 kOhm	2% 0.25W MF	
C...	31	59.05.1332	3.3 nF	1% 50V PP		D...	9	50.04.1106	2.7 uF	5% 0.4W Zener		Q...	17	50.03.0510	BD136-16		PNP	R...	87	57.11.3243	24 kOhm	2% 0.25W MF	
C...	32	59.05.2102	1 nF	2.5% 50V PP		D...	10	50.04.0125	1N4448	50V SI		Q...	18	50.03.0515	BC307	BC557B, BC560B	PNP	R...	88	57.11.3103	10 kOhm	2% 0.25W MF	
C...	33	59.05.2102	1 nF	2.5% 50V PP		D...	11	50.04.0125	1N4448	50V SI		Q...	19	50.03.0436	BC237B	BC547B, BC550B	NPN	R...	89	57.11.3243	24 kOhm	2% 0.25W MF	
C...	34	59.22.0479	4.7 uF	-20% 35V EL		D...	12	50.04.0125	1N4448	50V SI		Q...	20	50.03.0510	BD136-16		PNP	R...	90	57.11.3103	10 kOhm	2% 0.25W MF	
C...	35	59.22.0479	4.7 uF	-20% 35V EL		D...	13	50.04.0125	1N4448	50V SI		Q...	21					R...	91	57.11.3682	6.8 kOhm	2% 0.25W MF	
C...	36	59.06.0473	47 nF	10% 50V PETF		D...	14	50.04.0125	1N4448	50V SI		Q...	22					R...	92	57.11.3683	68 kOhm	2% 0.25W MF	
C...	37	59.06.0473	47 nF	10% 50V PETF		D...	14	50.04.0125	1N4448	50V SI		Q...	22					R...	93	57.11.3752	7.5 kOhm	2% 0.25W MF	

AUDIO ELECTRONICS BOARD 2VU 1.727.460.83

IND.	POS.NO.	PART NO.	VALUE	SPECIFICATIONS / EQUIVALENT	MANUF.	IND.	POS.NO.	PART NO.	VALUE	SPECIFICATIONS / EQUIVALENT	MANUF.
R...174	57.11.3102	1 kOhm	2%	0.25W, MF		R...285	57.11.3103	10 kOhm	2%, 0.25W, MF		
R...175	57.11.3470	47 Ohm	2%	0.25W, MF		R...286	57.11.3339	3-3 Ohm	2%, 0.25W, MF		
R...176	57.11.3472	4.7 kOhm	2%	0.25W, MF		R...287	57.11.3472	4.7 kOhm	2%, 0.25W, MF		
R...177	57.11.3680	68 Ohm	2%	0.25W, MF		R...288	57.11.3103	10 kOhm	2%, 0.25W, MF		
R...178	57.11.3682	6.8 kOhm	2%	0.25W, MF		R...289	57.11.3471	470 Ohm	2%, 0.25W, MF		
R...179	57.11.3473	47 kOhm	2%	0.25W, MF		R...290	57.11.3391	390 Ohm	2%, 0.25W, MF		
R...180	57.11.3100	10 Ohm	2%	0.25W, MF		R...291	57.11.3152	1.5 kOhm	2%, 0.25W, MF		
R...181	57.99.0209	5.6 Ohm		PTC		R...292	57.92.1151	18 Ohm	150mA, PTC		
R...182	57.11.3569	5.6 Ohm	2%	0.25W, MF		R...293	57.11.3180	18 Ohm	2%, 0.25W, MF		
R...183				not used		R...294	57.11.3470	47 Ohm	2%, 0.25W, MF		
R...184				not used		R...295	57.11.3223	22 kOhm	2%, 0.25W, MF		
R...185				not used		R...296	57.11.3105	1 MOhm	2%, 0.25W, MF		
R...186	57.11.3222	2.2 kOhm	2%	0.25W, MF		R...297	57.11.3472	4.7 kOhm	2%, 0.25W, MF		
R...187	57.11.3222	2.2 kOhm	2%	0.25W, MF		T....1	1.022.400.00	1:4	Mic Input Trafo		St
R...188	57.11.3103	10 kOhm	2%	0.25W, MF		T....2	1.022.451.00	1:0.62	Line Input Trafo		St
R...189	57.11.3682	6.8 kOhm	2%	0.25W, MF		T....3	1.022.271.00		Brace Trafo		St
R...190	57.11.3682	6.8 kOhm	2%	0.25W, MF		T....4	1.022.272.00		Bias Trafo		St
R...191	57.11.3223	22 kOhm	2%	0.25W, MF		T....5	1.022.402.00	1:10	SPMC Trafo		St
R...192	57.11.3682	6.8 kOhm	2%	0.25W, MF		T....6	1.022.355.00		Line Output Trafo		St
R...193	57.11.3103	10 kOhm	2%	0.25W, MF		TP....1	54.02.0320		Plug 2.8x0.8		AMP
R...194	57.11.3105	1 MOhm	2%	0.25W, MF		TP....2	54.02.0320		Plug 2.8x0.8		AMP
R...195	57.11.3681	680 Ohm	2%	0.25W, MF		TP....3	54.02.0320		Plug 2.8x0.8		AMP
R...196				not used		TP....4	54.02.0320		Plug 2.8x0.8		AMP
R...197				not used		TP....5	54.02.0320		Plug 2.8x0.8		AMP
R...198	57.11.3164	160 kOhm	2%	0.25W, MF		TP....6	54.02.0320		Plug 2.8x0.8		AMP
R...199	57.11.3164	160 kOhm	2%	0.25W, MF		TP....7	54.02.0320		Plug 2.8x0.8		AMP
R...200	57.11.3103	10 kOhm	2%	0.25W, MF		W....1	64.01.0106		Wire Bridge		
R...201	57.11.3682	6.8 kOhm	2%	0.25W, MF		W....2	64.01.0106		Wire Bridge		
R...202	57.11.3682	6.8 kOhm	2%	0.25W, MF		W....3	64.01.0106		Wire Bridge		
R...203	57.11.3103	10 kOhm	2%	0.25W, MF		W....4			not used		
R...204				not used		W....5	64.01.0106		Wire Bridge		
R...205	57.11.3181	180 Ohm	2%	0.25W, MF		W....6			not used		
R...206	57.11.3562	5.6 kOhm	2%	0.25W, MF		W....7	64.01.0106		Wire Bridge		
R...207	57.11.3104	100 kOhm	2%	0.25W, MF		W....8	64.01.0106		Wire Bridge		
R...208	57.11.3683	68 kOhm	2%	0.25W, MF							
R...209	57.11.3333	33 kOhm	2%	0.25W, MF							
R...210	57.11.3333	33 kOhm	2%	0.25W, MF							

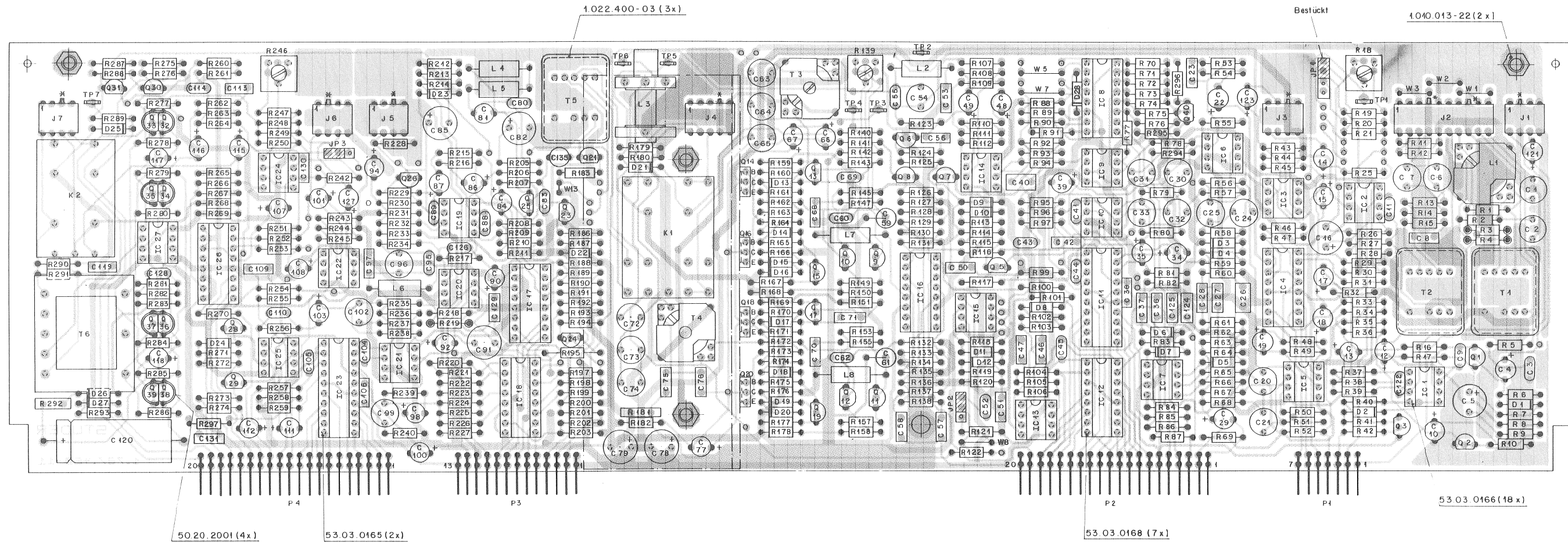
S T U D E R (00) 89/07/03 GP AUDIO ELECTRONICS BOARD PL 1.727.460.83 PAGE 13 S T U D E R (00) 89/07/03 GP AUDIO ELECTRONICS BOARD PL 1.727.460.83 PAGE 16

IND.	POS.NO.	PART NO.	VALUE	SPECIFICATIONS / EQUIVALENT	MANUF.	IND.	POS.NO.	PART NO.	VALUE	SPECIFICATIONS / EQUIVALENT	MANUF.
R...211	57.11.3103	10 kOhm	2%	0.25W, MF		XIC...1	53.03.0166	8-Pole	IC Socket		
R...212	57.11.3120	12 Ohm	2%	0.25W, MF		XIC...2	53.03.0166	8-Pole	IC Socket		
R...213	57.11.3560	56 Ohm	2%	0.25W, MF		XIC...3	53.03.0168	16-Pole	IC Socket		
R...214	57.11.3101	100 Ohm	2%	0.25W, MF		XIC...4	53.03.0166	8-Pole	IC Socket		
R...215	57.11.3682	6.8 kOhm	2%	0.25W, MF		XIC...5	53.03.0166	8-Pole	IC Socket		
R...216	57.11.3682	6.8 kOhm	2%	0.25W, MF		XIC...6	53.03.0166	8-Pole	IC Socket		
R...217	57.11.3682	6.8 kOhm	2%	0.25W, MF		XIC...7	53.03.0166	8-Pole	IC Socket		
R...218	57.11.5155	5.15 kOhm	2%	0.25W, MF		XIC...8	53.03.0166	16-Pole	IC Socket		
R...219	57.11.3104	100 kOhm	2%	0.25W, MF, with socket		XIC...9	53.03.0166	8-Pole	IC Socket		
R...220	57.11.3103	10 kOhm	2%	0.25W, MF		XIC...10	53.03.0166	8-Pole	IC Socket		
R...221				not used		XIC...11	53.03.0165	20-Pole	IC Socket		
R...222	57.11.3822	8.2 kOhm	2%	0.25W, MF		XIC...12	53.03.0168	16-Pole	IC Socket		
R...223	57.11.3473	47 kOhm	2%	0.25W, MF		XIC...13	53.03.0166	8-Pole	IC Socket		
R...224	57.11.3682	6.8 kOhm	2%	0.25W, MF		XIC...14	53.03.0166	8-Pole	IC Socket		
R...225	57.11.3393	39 kOhm	2%	0.25W, MF		XIC...15	53.03.0166	8-Pole	IC Socket		
R...226	57.11.3392	3.9 kOhm	2%	0.25W, MF		XIC...16	53.03.0168	16-Pole	IC Socket		
R...227	57.11.3563	56 kOhm	2%	0.25W, MF		XIC...17	53.03.0168	16-Pole	IC Socket		
R...228	57.11.3333	33 kOhm	2%	0.25W, MF		XIC...18	53.03.0168	16-Pole	IC Socket		
R...229	57.11.3562	5.6 kOhm	2%	0.25W, MF		XIC...19	53.03.0166	8-Pole	IC Socket		
R...230	57.11.3683	68 kOhm	2%	0.25W, MF		XIC...20	53.03.0166	8-Pole	IC Socket		
R...231	57.11.3562	5.6 kOhm	2%	0.25W, MF		XIC...21	53.03.0166	8-Pole	IC Socket		
R...232	57.11.3333	33 kOhm	2%	0.25W, MF		XIC...22	53.03.0166	8-Pole	IC Socket		
R...233	57.11.3103	10 kOhm	2%	0.25W, MF		XIC...23	53.03.0165	20-Pole	IC Socket		
R...234	57.11.3271	270 Ohm	2%	0.25W, MF		XIC...24	53.03.0166	8-Pole	IC Socket		
R...235	57.11.3273	27 kOhm	2%	0.25W, MF		XIC...25	53.03.0166	8-Pole	IC Socket		
R...236	57.11.3152	1.5 kOhm	2%	0.25W, MF		XIC...26	53.03.0168	16-Pole	IC Socket		
R...237	57.11.3311	330 Ohm	2%	0.25W, MF		XIC...27	53.03.0166	8-Pole	IC Socket		
R...238	57.11.3103	10 kOhm	2%	0.25W, MF							
R...239	57.11.3103	10 kOhm	2%	0.25W, MF							
R...240	57.11.3102	1 kOhm	2%	0.25W, MF							
R...241				not used							
R...242	57.11.3472	4.7 kOhm	2%	0.25W, MF							
R...243	57.11.3473	47 kOhm	2%	0.25W, MF							
R...244	57.11.3102	1 kOhm	2%	0.25W, MF							
R...245	57.11.3222	2.2 kOhm	2%	0.25W, MF							
R...246	58.01.8502	5 kOhm	10%	0.5 W, PMS							
R...247	57.11.3821	820 Ohm	2%	0.25W, MF							

S T U D E R (00) 89/07/03 GP AUDIO ELECTRONICS BOARD PL 1.727.460.83 PAGE 14 S T U D E R (00) 89/07/03 GP AUDIO ELECTRONICS BOARD PL 1.727.460.83 PAGE 17

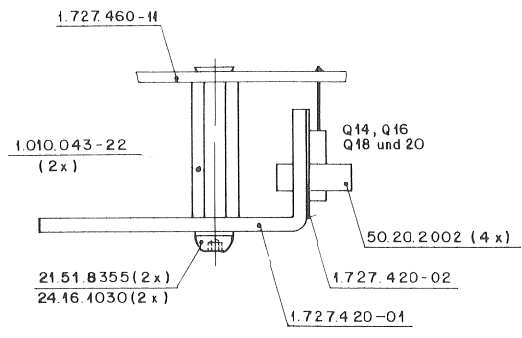
IND.	POS.NO.	PART NO.	VALUE	SPECIFICATIONS / EQUIVALENT	MANUF.	IND.	POS.NO.	PART NO.	VALUE	SPECIFICATIONS / EQUIVALENT	MANUF.
R...248	57.11.3392	3.9 kOhm	2%	0.25W, MF		Note 1 Variable Phantom Supply					
R...249				not used		U (V) : POS.NO. : PART NO. : VALUE					
R...250	57.11.3153	15 kOhm	2%	0.25W, MF		48	: R 3 / R 4	: 57990250	: 6.8 kOhm	0.1 % 0.25 W MF	
R...251	57.11.3473	47 kOhm	2%	0.25W, MF		24	: R 3 / R 4	: 57990199	: 4.3 kOhm	0.1 % 0.25 W MF	
R...252	57.11.3472	4.7 kOhm	2%	0.25W, MF		12	: R 3 / R 4	: 57990199	: 680 Ohm	0.1 % 0.25 W MF	
R...253	57.11.3472	4.7 kOhm	2%	0.25W, MF		Cer = Ceramic EL = Electrolytic PETP = Polyester					
R...254	57.11.3391	390 Ohm	2%	0.25W, MF		PP = Polypropylen MF = Metal Film SI = Silicon					
R...255	57.11.3102	1 kOhm	2%	0.25W, MF		MANUFACTURER: ADI = Analog Devices Inc. Not = Motorola					
R...256	57.11.3273	27 kOhm	2%	0.25W, MF		NS = National Semiconductors Ra = Raytheon					
R...257	57.11.3102	1 kOhm	2%	0.25W, MF		Sig = Signetics St = Studer					
R...258	57.11.3471	470 Ohm	2%	0.25W, MF		ORIG 89/07/03					
R...259	57.11.3103	10 kOhm	2%	0.25W, MF		S T U D E R (00) 89/07/03 GP AUDIO ELECTRONICS BOARD PL 1.727.460.83 PAGE 15					
R...260	57.11.3221	220 Ohm	2%	0.25W, MF		S T U D E R (00) 89/07/03 GP AUDIO ELECTRONICS BOARD PL 1.727.460.83 PAGE 18					
R...261	57.11.3122	1.2 kOhm	2%	0.25W, MF							
R...262	57.11.3471	470 Ohm	2%	0.25W, MF							
R...263	57.11.3223	22 kOhm	2%	0.25W, MF							
R...264	57.11.3222	2.2 kOhm	2%	0.25W, MF							
R...265	57.11.3473	47 kOhm	2%	0.25W, MF							
R...266	57.11.3103	10 kOhm	2%	0.25W, MF							
R...267	57.11.3682	6.8 kOhm	2%	0.25W, MF							
R...268	57.11.3682	6.8 kOhm	2%	0.25W, MF							
R...269	57.11.3103	10 kOhm	2%	0.25W, MF							
R...270	57.11.3472	4.7 kOhm	2%	0.25W, MF							
R...271	57.11.3122	1.2 kOhm	2%	0.25W, MF							
R...272	57.11.3223	22 kOhm	2%	0.25W, MF							
R...273	57.11.3223	22 kOhm	2%	0.25W, MF							
R...274	57.11.3473	47 kOhm	2%	0.25W, MF							
R...275	57.11.3223	22 kOhm	2%	0.25W, MF							
R...276	57.11.3103	10 kOhm	2%	0.25W, MF							
R...277	57.11.3339	3.3 Ohm	2%	0.25W, MF							
R...278	57.11.3103	10 kOhm	2%	0.25W, MF							
R...279	57.11.3103	10 kOhm	2%	0.25W, MF							
R...280	57.11.3339	3.3 Ohm	2%	0.25W, MF							
R...281	57.11.3222	2.2 kOhm	2%	0.25W, MF							
R...282	57.11.3222	2.2 kOhm	2%	0.25W, MF							
R...283	57.11.3339	3.3 Ohm	2%	0.25W, MF							
R...284	57.11.3103	10 kOhm	2%	0.25W, MF							

AUDIO ELECTRONICS BOARD 2VU 1.727.460.84
 -AUDIO ELECTRONICS BOARD 2VU HS 1.727.469.82



- R18 = INPUT LEVEL ADJUSTMENT
- R139 = ERASE VOLTAGE ADJUSTMENT
- R246 = OUTPUT LEVEL ADJUSTMENT
- L3 = BIAS TRAP
- T3 = ERASE HEAD CIRCUIT
- JP1 INPUT LEVEL SENSITIVITY
- JP2 HX PRO: A = ON, B = OFF
- JP3 OUTPUT LEVEL SENSITIVITY
- TP1 RECORD AMPLIFIER SIGNAL (0.775 V = 0 VU)
- TP2 0.0 V
- TP3 VOLTAGE ON ERASE HEAD
- TP4 PRIMARY CURRENT ON ERASE TRANSFORMER
- TP5 BIAS CURRENT ON 10 Ω
- TP6 REJECTOR FILTER ADJUSTMENT
- TP7 VU METER SIGNAL (0.775 V = 0 VU)

FACTORY STANDARD SETTING



R3, R4, R219 auf Sockel 53.03.0228 (6x)

* Codierung: Schaltdraht 64.01.0108 φ0,8x8mm (muss 1mm vorstehen)

Nr. Etikette 1.727.460-10
 Warnschild 43.01.0108

AUDIO ELECTRONICS BOARD 2VU 1.727.460.84

IND.	POS.NO.	PART NO.	VALUE	SPECIFICATIONS / EQUIVALENT	MANUF.	IND.	POS.NO.	PART NO.	VALUE	SPECIFICATIONS / EQUIVALENT	MANUF.	IND.	POS.NO.	PART NO.	VALUE	SPECIFICATIONS / EQUIVALENT	MANUF.	IND.	POS.NO.	PART NO.	VALUE	SPECIFICATIONS / EQUIVALENT	MANUF.	
C....1	59.05.1102	1 nF	1K	50V PP		C...112	59.22.3470	47 uF	-20K	10V EL		MP...9	1.727.420.02	1 pce	Thermoplastic	St	R...58	57.11.3272	2.7 kOhm	2%	0.25W	MF		
C...2	59.05.1102	1 nF	1K	50V PP		C...113	59.06.0222	2.2 nF	10X	50V PETF		MP...10	1.727.460.10	1 pce	No. Label	St	R...59	57.11.3223	22 kOhm	2%	0.25W	MF		
C...3	59.34.4271	270 pF	10X	50V Cer		C...114	59.34.5471	470 pF	10X	50V Cer		MP...11	1.727.460.11	1 pce	Audio Electronics PCB	St	R...60	57.11.3473	4.7 kOhm	2%	0.25W	MF		
C...4	59.22.3470	4.7 uF	-20K	35V EL		C...115	59.22.3470	4.7 uF	-20K	10V EL		MP...12	1.022.400.03	3 pce	Insulation TL, T2, T5	St	R...61	57.11.3152	1.5 kOhm	2%	0.25W	MF		
C...5	59.22.2471	470 uF	-20K	6.3V EL		C...116	59.22.3101	100 uF	-20K	10V EL		MP...13	1.010.013.22	2 pce	Rivet Nut M3x3		R...62	57.11.3103	10 kOhm	2%	0.25W	MF		
C...6	59.05.1681	680 pF	1K	50V PP		C...117	59.22.3470	47 uF	-20K	10V EL		MP...14	50.20.2002	4 pce	Clip, T0126		R...63	57.11.3154	150 kOhm	2%	0.25W	MF		
C...7	59.05.1681	680 pF	1K	50V PP		C...118	59.22.3470	47 uF	-20K	10V EL		MP...15	43.01.0108	1 pce	ESZ Warning Label		R...64	57.11.3102	1 kOhm	2%	0.25W	MF		
C...8	59.06.0105	10 nF	10X	50V PETF		C...119	59.06.0153	15 nF	10X	50V PETF		MP...16	53.03.0228	6 pce	1-Pole Socket (R3,R4,R219)		R...65	57.11.3104	10 kOhm	2%	0.25W	MF		
C...9	59.34.4680	68 pF	10X	50V Cer		C...120	59.25.5471	470 uF	-20K	35V EL		F...1	54.01.0223	7-Pole	CIS Pin Strip		R...66	57.11.3243	24 kOhm	2%	0.25W	MF		
C...10	59.22.5220	22 uF	-20K	25V EL		C...121	59.22.8479	4.7 uF	-20K	35V EL		F...2	54.01.0261	20-Pole	CIS Pin Strip		R...67	57.11.3302	3 kOhm	2%	0.25W	MF		
C...11	59.34.4151	150 nF	10X	50V Cer		C...122	59.06.0683	68 nF	10X	50V PETF		F...3	54.01.0273	13-Pole	CIS Pin Strip		R...68	57.11.3302	3 kOhm	2%	0.25W	MF		
C...12	59.22.5220	22 uF	-20K	25V EL		C...123	59.22.8479	4.7 uF	-20K	35V EL		F...4	54.01.0261	20-Pole	CIS Pin Strip		R...69	57.11.3473	4.7 kOhm	2%	0.25W	MF		
C...13	59.22.5220	22 uF	-20K	25V EL		C...124	59.06.0683	68 nF	10X	50V PETF		Q...1	50.03.0625	BC327		PNP	R...70	57.11.3472	4.7 kOhm	2%	0.25W	MF		
C...14	59.22.3470	47 uF	-20K	10V EL		C...125	59.06.0683	68 nF	10X	50V PETF		Q...2	50.03.0340	BC337-25		NPN	R...71	57.11.3682	6.8 kOhm	2%	0.25W	MF		
C...15	59.22.3470	47 uF	-20K	10V EL		C...126	59.34.4151	150 pF	10X	50V Cer		Q...3	50.03.0515	BC307		PNP	R...72	57.11.3472	4.7 kOhm	2%	0.25W	MF		
C...16	59.22.2221	220 uF	-20K	6.3V EL		C...127	59.22.8479	4.7 uF	-20K	35V EL		Q...4	50.03.0515	BC307B		PNP	R...73	57.11.3472	4.7 kOhm	2%	0.25W	MF		
C...17	59.22.3470	47 uF	-20K	10V EL		C...128	59.34.4680	68 pF	10X	50V Cer		Q...5	50.03.0350	J112		FET	R...74	57.11.3562	5.6 kOhm	2%	0.25W	MF		
C...18	59.22.3470	47 uF	-20K	10V EL		C...129	59.06.5334	330 nF	5X	50V PETF		Q...6	50.03.0436	BC237B		NPN	R...75	57.11.3103	10 kOhm	2%	0.25W	MF		
C...19	59.22.3470	47 uF	-20K	10V EL		C...130	59.34.4151	150 pF	10X	50V Cer		Q...7	50.03.0436	BC237B		NPN	R...76	57.11.3472	4.7 kOhm	2%	0.25W	MF		
C...20	59.05.2102	1 nF	2.5X	50V PP		C...131	59.06.0683	68 nF	10X	50V Cer		Q...8	50.03.0436	BC237B		NPN	R...77	57.11.3562	5.6 kOhm	2%	0.25W	MF		
C...21	59.05.2102	1 nF	2.5X	50V PP		C...132	59.22.3101	100 uF	-20K	10V EL		Q...9	50.03.0436	BC237B		NPN	R...78	57.11.3103	10 kOhm	2%	0.25W	MF		
C...22	59.22.6100	10 uF	-20K	35V EL		D...1	50.04.0125	LN4448	50V	SI		Q...10	50.03.0436	BC237B		NPN	R...79	57.11.3472	4.7 kOhm	2%	0.25W	MF		
C...23	59.06.5682	6.8 nF	5X	50V PETF		D...2	50.04.0125	LN4448	50V	SI		Q...11	50.03.0436	BC237B		NPN	R...80	57.11.3681	680 Ohm	2%	0.25W	MF		
C...24	59.05.2102	1 nF	2.5X	50V PP		D...3	50.04.0125	LN4448	50V	SI		Q...12	50.03.0436	BC237B		NPN	R...81	57.11.3473	4.7 kOhm	2%	0.25W	MF		
C...25	59.05.2102	1 nF	2.5X	50V PP		D...4	50.04.1102	6.8 V	5K	0.4M Zener		Q...13	50.03.0436	BC237B		NPN	R...82	57.11.3473	4.7 kOhm	2%	0.25W	MF		
C...26	59.06.0105	1 nF	10X	50V PETF		D...5	50.04.1106	2.7 V	5K	0.4M Zener		Q...14	50.03.0436	BC237B		NPN	R...83	57.11.3154	1.5 kOhm	2%	0.25W	MF		
C...27	59.06.0473	47 nF	10X	50V PETF		D...6	50.04.1112	5.1 V	5K	0.4M Zener		Q...15	50.03.0515	BC307B		PNP	R...84	57.11.3154	150 kOhm	2%	0.25W	MF		
C...28	59.06.0473	47 nF	10X	50V PETF		D...7	50.04.0125	LN4448	50V	SI		Q...16	50.03.0495	BB135-16		NPN	R...85	57.11.3102	1 kOhm	2%	0.25W	MF		
C...29	59.22.3470	47 uF	-20K	10V EL		D...8	50.04.1106	2.7 V	5K	0.4M Zener		Q...17	50.03.0515	BC307B		PNP	R...86	57.11.3102	1 kOhm	2%	0.25W	MF		
C...30	59.05.1332	3.3 nF	1X	50V PP		D...9	50.04.1106	2.7 V	5K	0.4M Zener		Q...18	50.03.0515	BC307B		PNP	R...87	57.11.3243	24 kOhm	2%	0.25W	MF		
C...31	59.05.1332	3.3 nF	1X	50V PP		D...10	50.04.0125	LN4448	50V	SI		Q...19	50.03.0515	BC307B		PNP	R...88	57.11.3103	10 kOhm	2%	0.25W	MF		
C...32	59.05.2102	1 nF	2.5X	50V PP		D...11	50.04.0125	LN4448	50V	SI		Q...20	50.03.0495	BB135-16		NPN	R...89	57.11.3682	6.8 kOhm	2%	0.25W	MF		
C...33	59.05.2102	1 nF	2.5X	50V PP		D...12	50.04.0125	LN4448	50V	SI		Q...21	50.03.0495	BB135-16		NPN	R...90	57.11.3103	10 kOhm	2%	0.25W	MF		
C...34	59.22.8479	4.7 uF	-20K	35V EL		D...13	50.04.0125	LN4448	50V	SI		Q...22	50.03.0350	J112		FET	R...91	57.11.3682	6.8 kOhm	2%	0.25W	MF		
C...35	59.22.8479	4.7 uF	-20K	35V EL		D...14	50.04.0125	LN4448	50V	SI		Q...23	50.03.0515	BC307B		PNP	R...92	57.11.3683	6.8 kOhm	2%	0.25W	MF		
C...36	59.06.0473	47 nF	10X	50V PETF		D...15	50.04.0125	LN4448	50V	SI							R...93	57.11.3717	7 kOhm	2%	0.25W	MF		
C...37	59.06.0473	47 nF	10X	50V PETF												R...94	57.11.3562	5.6 kOhm	2%	0.25W	MF			

AUDIO ELECTRONICS BOARD TD 1.727.460.84

IND.	POS.NO.	PART NO.	VALUE	SPECIFICATIONS / EQUIVALENT	MANUF.	IND.	POS.NO.	PART NO.	VALUE	SPECIFICATIONS / EQUIVALENT	MANUF.
R...175	57.11.3470	47 Ohm	2%	0.25W, MF		R...286	57.11.3339	3.3 Ohm	2%	0.25W, MF	
R...176	57.11.3472	4.7 kOhm	2%	0.25W, MF		R...287	57.11.3472	4.7 kOhm	2%	0.25W, MF	
R...177	57.11.3680	68 Ohm	2%	0.25W, MF		R...288	57.11.3103	10 kOhm	2%	0.25W, MF	
R...178	57.11.3682	6.8 kOhm	2%	0.25W, MF		R...289	57.11.3471	470 Ohm	2%	0.25W, MF	
R...179	57.11.3473	47 kOhm	2%	0.25W, MF		R...290	57.11.3394	390 Ohm	2%	0.25W, MF	
R...180	57.11.3100	10 Ohm	2%	0.25W, MF		R...291	57.11.3152	1.5 kOhm	2%	0.25W, MF	
R...181	57.99.0209	5.6 Ohm		PTC		R...292	57.92.1151	18 Ohm		150mA, PTC	
R...182	57.11.3569	5.6 Ohm	2%	0.25W, MF		R...293	57.11.3180	18 Ohm	2%	0.25W, MF	
R...183	57.11.3105	1 MOhm	2%	0.25W, MF		R...294	57.11.3470	47 Ohm	2%	0.25W, MF	
R...184				not used		R...295	57.11.3223	22 kOhm	2%	0.25W, MF	
R...185				not used		R...296	57.11.3105	1 MOhm	2%	0.25W, MF	
R...186	57.11.3222	2.2 kOhm	2%	0.25W, MF		R...297	57.11.3472	4.7 kOhm	2%	0.25W, MF	
R...187	57.11.3222	2.2 kOhm	2%	0.25W, MF							
R...188	57.11.3103	10 kOhm	2%	0.25W, MF		T....1	1.022.400.00	.14		Mic Input Trafo	St
R...189	57.11.3682	6.8 kOhm	2%	0.25W, MF		T....2	1.022.451.00	1:0.62		Line Input Trafo	St
R...190	57.11.3682	6.8 kOhm	2%	0.25W, MF		T....3	1.022.271.00			Erase Trafo	St
R...191	57.11.3223	22 kOhm	2%	0.25W, MF		T....4	1.022.272.00			Bias Trafo	St
R...192	57.11.3682	6.8 kOhm	2%	0.25W, MF		T....5	1.022.402.00	1:10		Sync Trafo	St
R...193	57.11.3103	10 kOhm	2%	0.25W, MF		T....6	1.022.355.00			Line Output Trafo	St
R...194	57.11.3105	1 MOhm	2%	0.25W, MF							
R...195	57.11.3681	680 Ohm	2%	0.25W, MF		TP....1	54.02.0320			Plug 2.8x0.8	AMP
R...196				not used		TP....2	54.02.0320			Plug 2.8x0.8	AMP
R...197				not used		TP....3	54.02.0320			Plug 2.8x0.8	AMP
R...198	57.11.3224	220 kOhm	2%	0.25W, MF		TP....4	54.02.0320			Plug 2.8x0.8	AMP
R...199	57.11.3224	220 kOhm	2%	0.25W, MF		TP....5	54.02.0320			Plug 2.8x0.8	AMP
R...200	57.11.3103	10 kOhm	2%	0.25W, MF		TP....6	54.02.0320			Plug 2.8x0.8	AMP
R...201	57.11.3682	6.8 kOhm	2%	0.25W, MF		TP....7	54.02.0320			Plug 2.8x0.8	AMP
R...202	57.11.3682	6.8 kOhm	2%	0.25W, MF							
R...203	57.11.3103	10 kOhm	2%	0.25W, MF		W....1	64.01.0106			Wire Bridge	
R...204	57.11.3181	180 Ohm	2%	0.25W, MF		W....2	64.01.0106			Wire Bridge	
R...205	57.11.3569	5.6 Ohm	2%	0.25W, MF		W....3	64.01.0106			Wire Bridge	
R...206	57.11.3562	5.6 kOhm	2%	0.25W, MF		W....4				not used	
R...207	57.11.3104	100 kOhm	2%	0.25W, MF		W....5	64.01.0106			Wire Bridge	
R...208	57.11.3683	68 kOhm	2%	0.25W, MF		W....6				not used	
R...209	57.11.3333	33 kOhm	2%	0.25W, MF		W....7	64.01.0106			Wire Bridge	
R...210	57.11.3333	33 kOhm	2%	0.25W, MF		W....8	64.01.0106			Wire Bridge	
R...211	57.11.3103	10 kOhm	2%	0.25W, MF		W....13	1.010.323.64			Wire Bridge	

S T U D E R (01) 90/09/25 GP AUDIO ELECTRONICS BOARD PL 1.727.460.84 PAGE 13 S T U D E R (01) 90/09/25 GP AUDIO ELECTRONICS BOARD PL 1.727.460.84 PAGE 16

IND.	POS.NO.	PART NO.	VALUE	SPECIFICATIONS / EQUIVALENT	MANUF.	IND.	POS.NO.	PART NO.	VALUE	SPECIFICATIONS / EQUIVALENT	MANUF.
R...212	57.11.3120	12 Ohm	2%	0.25W, MF		XIC...1	53.03.0166	8-Pole		IC Socket	
R...213	57.11.3560	56 Ohm	2%	0.25W, MF		XIC...2	53.03.0166	8-Pole		IC Socket	
R...214	57.11.3101	100 Ohm	2%	0.25W, MF		(00) XIC...3	53.03.0168	16-Pole		IC Socket	
R...215	57.11.3682	6.8 kOhm	2%	0.25W, MF		(01) XIC...3	53.03.0166	8-Pole		IC Socket	
R...216	57.11.3682	6.8 kOhm	2%	0.25W, MF		(00) XIC...4	53.03.0166	8-Pole		IC Socket	
R...217	57.11.3682	6.8 kOhm	2%	0.25W, MF		(01) XIC...4	53.03.0168	16-Pole		IC Socket	
R...218	57.11.3394	390 kOhm	5%	0.25W, MF		XIC...5	53.03.0166	8-Pole		IC Socket	
R...219	57.11.3104	100 kOhm	2%	0.25W, MF	with socket	XIC...6	53.03.0166	8-Pole		IC Socket	
R...220	57.11.3103	10 kOhm	2%	0.25W, MF		XIC...7	53.03.0166	8-Pole		IC Socket	
R...221				not used		XIC...8	53.03.0168	16-Pole		IC Socket	
R...222	57.11.3822	8.2 kOhm	2%	0.25W, MF		XIC...9	53.03.0166	8-Pole		IC Socket	
R...223	57.11.3473	47 kOhm	2%	0.25W, MF		XIC...10	53.03.0166	8-Pole		IC Socket	
R...224	57.11.3682	6.8 kOhm	2%	0.25W, MF		XIC...11	53.03.0165	20-Pole		IC Socket	
R...225	57.11.3393	39 kOhm	2%	0.25W, MF		XIC...12	53.03.0168	16-Pole		IC Socket	
R...226	57.11.3392	3.9 kOhm	2%	0.25W, MF		XIC...13	53.03.0166	8-Pole		IC Socket	
R...227	57.11.3563	56 kOhm	2%	0.25W, MF		XIC...14	53.03.0166	8-Pole		IC Socket	
R...228	57.11.3333	33 kOhm	2%	0.25W, MF		XIC...15	53.03.0166	8-Pole		IC Socket	
R...229	57.11.3682	6.8 kOhm	2%	0.25W, MF		XIC...16	53.03.0168	16-Pole		IC Socket	
R...230	57.11.3683	68 kOhm	2%	0.25W, MF		XIC...17	53.03.0168	16-Pole		IC Socket	
R...231	57.11.3562	5.6 kOhm	2%	0.25W, MF		XIC...18	53.03.0168	16-Pole		IC Socket	
R...232	57.11.3333	33 kOhm	2%	0.25W, MF		XIC...19	53.03.0166	8-Pole		IC Socket	
R...233	57.11.3103	10 kOhm	2%	0.25W, MF		XIC...20	53.03.0166	8-Pole		IC Socket	
R...234	57.11.3271	270 Ohm	2%	0.25W, MF		XIC...21	53.03.0166	8-Pole		IC Socket	
R...235	57.11.3273	27 kOhm	2%	0.25W, MF		XIC...22	53.03.0166	8-Pole		IC Socket	
R...236	57.11.3152	1.5 kOhm	2%	0.25W, MF		XIC...23	53.03.0165	20-Pole		IC Socket	
R...237	57.11.3331	330 Ohm	2%	0.25W, MF		XIC...24	53.03.0166	8-Pole		IC Socket	
R...238	57.11.3103	10 kOhm	2%	0.25W, MF		XIC...25	53.03.0166	8-Pole		IC Socket	
R...239	57.11.3103	10 kOhm	2%	0.25W, MF		XIC...26	53.03.0168	16-Pole		IC Socket	
R...240	57.11.3102	1 kOhm	2%	0.25W, MF		XIC...27	53.03.0166	8-Pole		IC Socket	
R...241				not used							
R...242	57.11.3472	4.7 kOhm	2%	0.25W, MF							
R...243	57.11.3473	47 kOhm	2%	0.25W, MF							
R...244	57.11.3102	1 kOhm	2%	0.25W, MF							
R...245	57.11.3222	2.2 kOhm	2%	0.25W, MF							
R...246	58.01.8502	5 kOhm	10%	0.5 W, PMG							
R...247	57.11.3821	820 Ohm	2%	0.25W, MF							
R...248	57.11.3392	3.9 kOhm	2%	0.25W, MF							

S T U D E R (01) 90/09/25 GP AUDIO ELECTRONICS BOARD PL 1.727.460.84 PAGE 14 S T U D E R (01) 90/09/25 GP AUDIO ELECTRONICS BOARD PL 1.727.460.84 PAGE 17

IND.	POS.NO.	PART NO.	VALUE	SPECIFICATIONS / EQUIVALENT	MANUF.	IND.	POS.NO.	PART NO.	VALUE	SPECIFICATIONS / EQUIVALENT	MANUF.
R...249				not used							
R...250	57.11.3153	15 kOhm	2%	0.25W, MF							
R...251	57.11.3473	47 kOhm	2%	0.25W, MF							
R...252	57.11.3472	4.7 kOhm	2%	0.25W, MF							
R...253	57.11.3472	4.7 kOhm	2%	0.25W, MF							
R...254	57.11.3331	330 Ohm	2%	0.25W, MF							
R...255	57.11.3102	1 kOhm	2%	0.25W, MF							
R...256	57.11.3273	27 kOhm	2%	0.25W, MF							
R...257	57.11.3102	1 kOhm	2%	0.25W, MF							
R...258	57.11.3471	470 Ohm	2%	0.25W, MF							
R...259	57.11.3103	10 kOhm	2%	0.25W, MF							
R...260	57.11.3221	220 Ohm	2%	0.25W, MF							
R...261	57.11.3103	10 kOhm	2%	0.25W, MF							
R...262	57.11.3471	470 Ohm	2%	0.25W, MF							
R...263	57.11.3223	22 kOhm	2%	0.25W, MF							
R...264	57.11.3222	2.2 kOhm	2%	0.25W, MF							
R...265	57.11.3103	10 kOhm	2%	0.25W, MF							
R...266	57.11.3103	10 kOhm	2%	0.25W, MF							
R...267	57.11.3682	6.8 kOhm	2%	0.25W, MF							
R...268	57.11.3682	6.8 kOhm	2%	0.25W, MF							
R...269	57.11.3103	10 kOhm	2%	0.25W, MF							
R...270	57.11.3472	4.7 kOhm	2%	0.25W, MF							
R...271	57.11.3122	1.2 kOhm	2%	0.25W, MF							
R...272	57.11.3223	22 kOhm	2%	0.25W, MF							
R...273	57.11.3223	22 kOhm	2%	0.25W, MF							
R...274	57.11.3473	47 kOhm	2%	0.25W, MF							
R...275	57.11.3223	22 kOhm	2%	0.25W, MF							
R...276	57.11.3103	10 kOhm	2%	0.25W, MF							
R...277	57.11.3339	3.3 Ohm	2%	0.25W, MF							
R...278	57.11.3103	10 kOhm	2%	0.25W, MF							
R...279	57.11.3103	10 kOhm	2%	0.25W, MF							
R...280	57.11.3339	3.3 Ohm	2%	0.25W, MF							
R...281	57.11.3222	2.2 kOhm	2%	0.25W, MF							
R...282	57.11.3222	2.2 kOhm	2%	0.25W, MF							
R...283	57.11.3339	3.3 Ohm	2%	0.25W, MF							
R...284	57.11.3103	10 kOhm	2%	0.25W, MF							
R...285	57.11.3103	10 kOhm	2%	0.25W, MF							

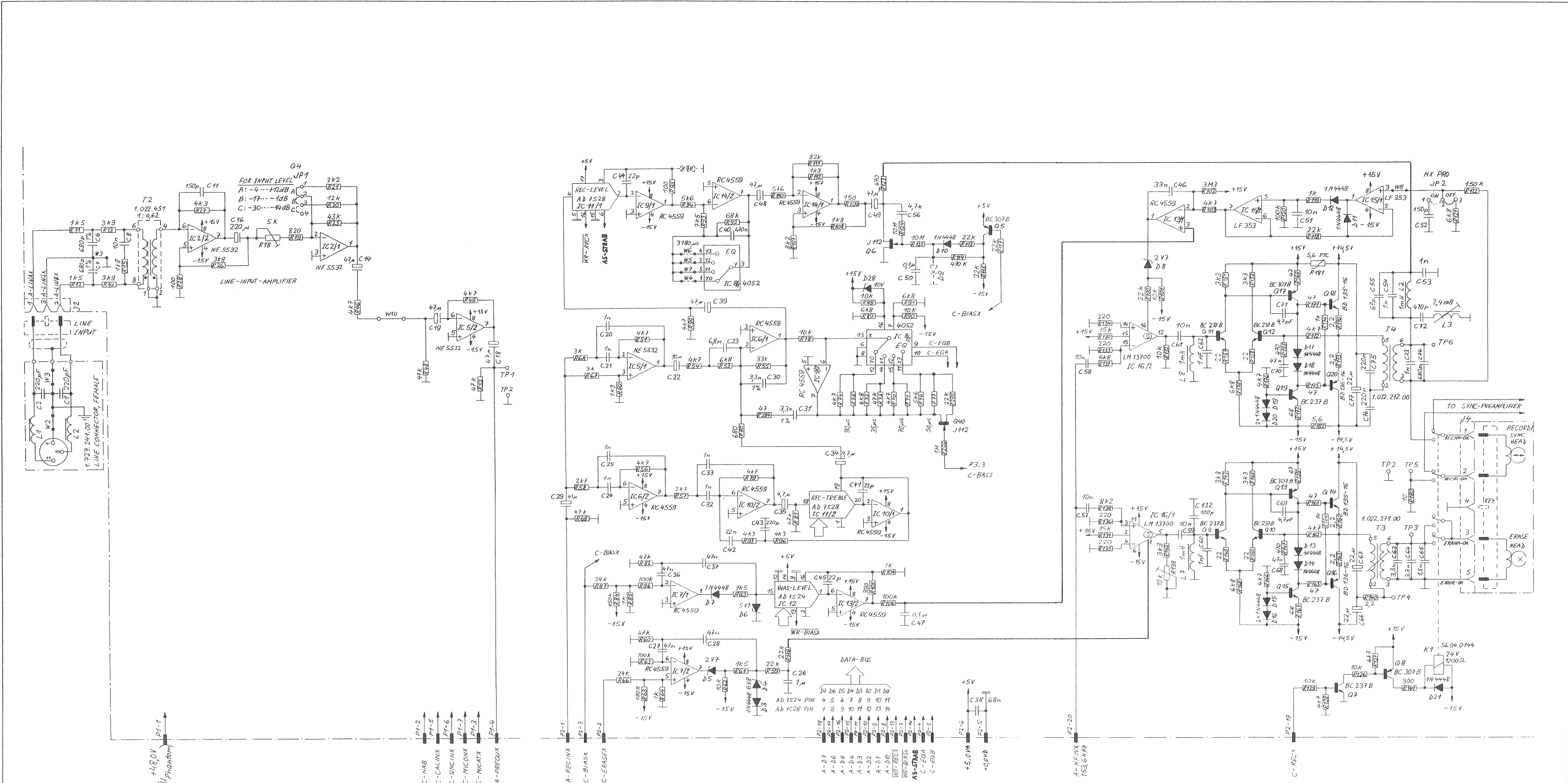
S T U D E R (01) 90/09/25 GP AUDIO ELECTRONICS BOARD PL 1.727.460.84 PAGE 15 S T U D E R (01) 90/09/25 GP AUDIO ELECTRONICS BOARD PL 1.727.460.84 PAGE 18

Note 1 Variable Phantom Supply

U (V)	POS.NO.	PART NO.	VALUE
48	R 3 / R 4	57990250	6.8 kOhm 0.1 x 0.25 W MF
24	R 3 / R 4		4.3 kOhm 0.1 x 0.25 W MF
12	R 3 / R 4	57990199	680 Ohm 0.1 x 0.25 W MF

Cer = Ceramic EL = Electrolytic PETP = Polyester
 PP = Polypropylen MF = Metal Film SI = Silicon
 MANUFACTURER: ADI = Analog Devices Inc. Mot = Motorola
 NS = National Semiconductors Ra = Raytheon
 Sig = Signetics St = Studer

AUDIO ELECTRONICS BOARD TD 1.727.461.83

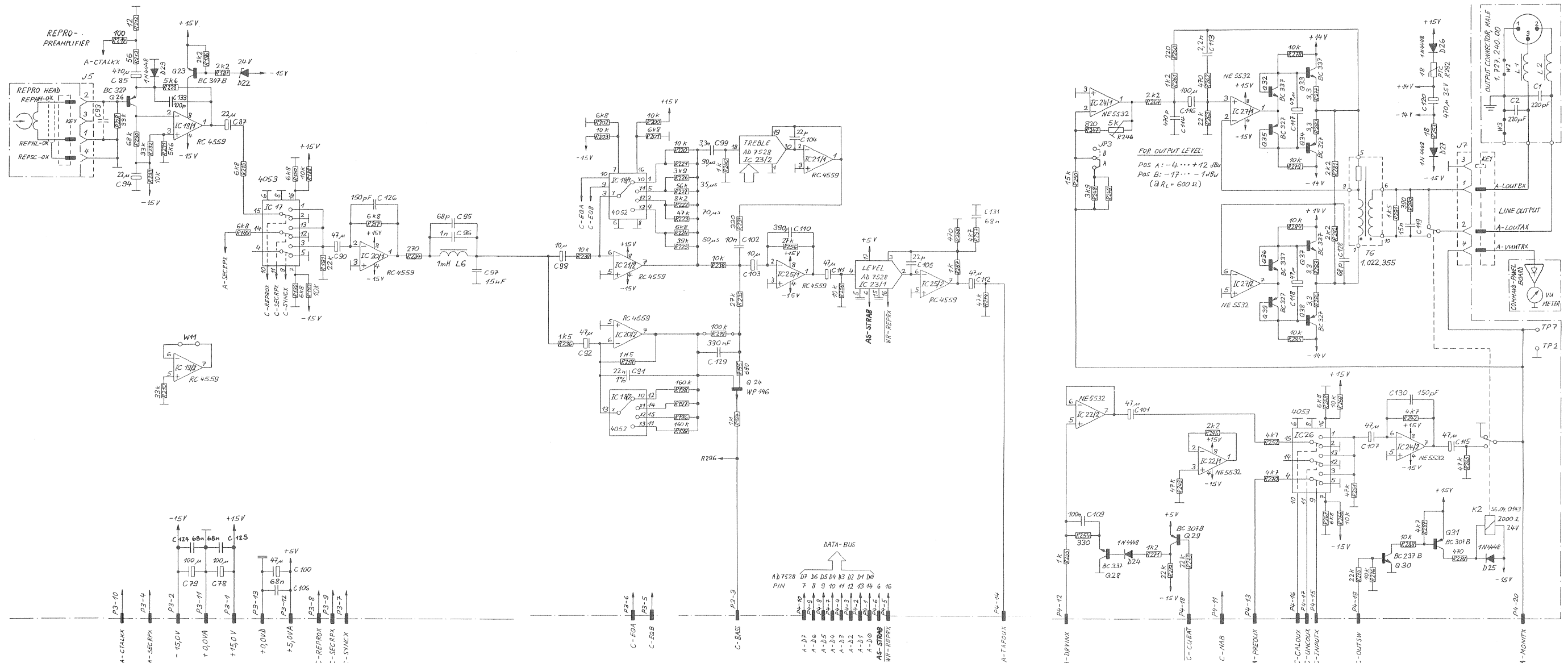


9.7.89 GP	A 807 GR 41/42	PAGE 1 OF 6
STUDER	AUDIO ELECTRONICS BOARD TD	SC 1.727.461.83

9.7.89 GP	A 807 GR 41/42	PAGE 2 OF 6
STUDER	AUDIO ELECTRONICS BOARD TD	SC 1.727.461.83

9.7.89 GP	A 807 GR 41/42	PAGE 3 OF 6
STUDER	AUDIO ELECTRONICS BOARD TD	SC 1.727.461.83

AUDIO ELECTRONICS BOARD TD 1.727.461.83

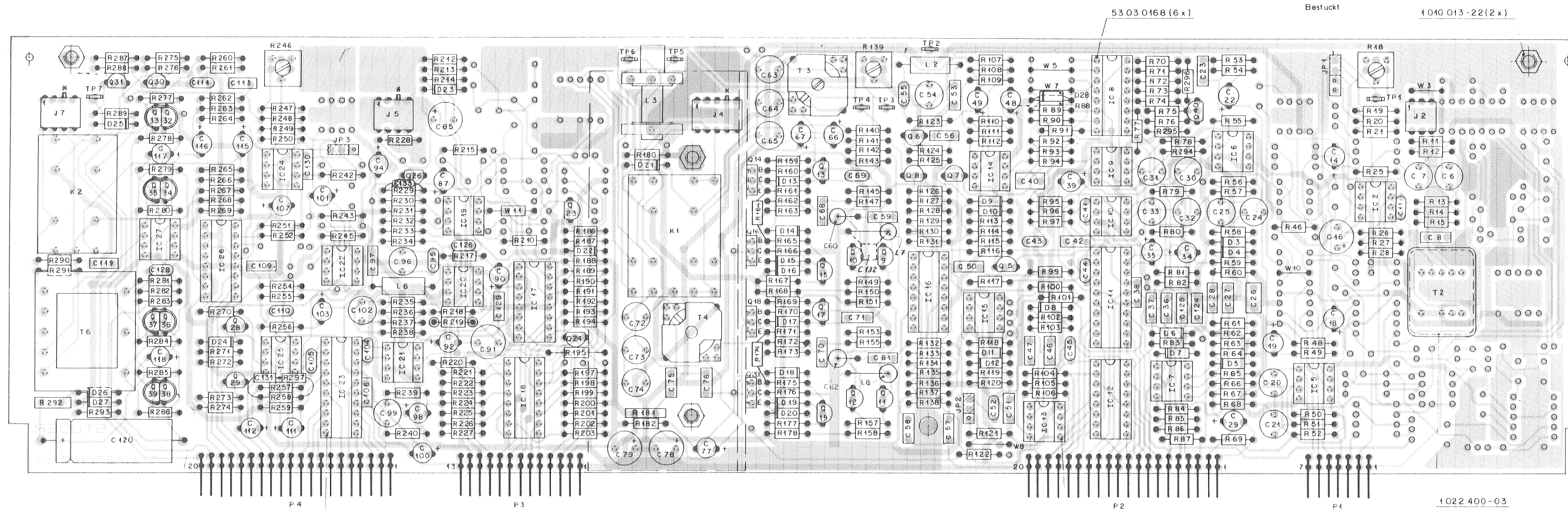


9.7.89 GP	A 807 GR 41/42	PAGE 4 OF 6
STUDER	AUDIO ELECTRONICS BOARD TD	SC 1.727.461.83

9.7.89 GP	A 807 GR 41/42	PAGE 5 OF 6
STUDER	AUDIO ELECTRONICS BOARD TD	SC 1.727.461.83

9.7.89 GP	A 807 GR 41/42	PAGE 6 OF 6
STUDER	AUDIO ELECTRONICS BOARD TD	SC 1.727.461.83

AUDIO ELECTRONICS BOARD TD 1.727.461.83



53 03 0168 (6 x) Bestückt 1 040 013-22 (2 x)

50 20 2001 (4 x)

53 03 0465 (2 x)

R 219 auf Sockel 53 03 0228 (2 x)

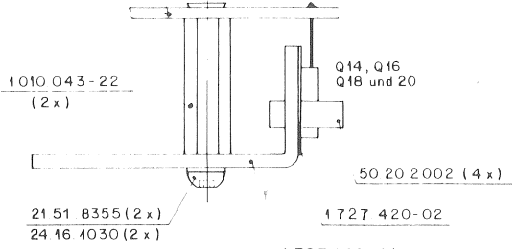
53 03 0466 (16 x)

1 022 400-03

- R18 = INPUT LEVEL ADJUSTMENT
- R139 = ERASE VOLTAGE ADJUSTMENT
- R246 = OUTPUT LEVEL ADJUSTMENT
- L3 = BIAS TRAP
- T3 = ERASE HEAD CIRCUIT
- JP1 INPUT LEVEL SENSITIVITY
- JP2 HX PRO: A = ON, B = OFF
- JP3 OUTPUT LEVEL SENSITIVITY
- TP1 RECORD AMPLIFIER SIGNAL (0.775 V = 0 VU)
- TP2 0.0 V
- TP3 VOLTAGE ON ERASE HEAD
- TP4 PRIMARY CURRENT ON ERASE TRANSFORMER
- TP5 BIAS CURRENT ON 10 Ω
- TP6 REJECTOR FILTER ADJUSTMENT
- TP7 VU METER SIGNAL (0.775 V = 0 VU)

FACTORY STANDARD SETTING

1 727 420-12



* Codierung Schottdraht 64 01 0108 φ0,8 x 8 mm (muss 1mm vorstehen)

Nr. Etikette 1 727 461-10
Warnschild 43 04 0108

STUDER A807 MKII

AUDIO ELECTRONICS BOARD TD 1.727.461.83

IND.	POS.NO.	PART NO.	VALUE	SPECIFICATIONS / EQUIVALENT	MANUF.	IND.	POS.NO.	PART NO.	VALUE	SPECIFICATIONS / EQUIVALENT	MANUF.	IND.	POS.NO.	PART NO.	VALUE	SPECIFICATIONS / EQUIVALENT	MANUF.	IND.	POS.NO.	PART NO.	VALUE	SPECIFICATIONS / EQUIVALENT	MANUF.	
C....6	59.05.1681	680 pF	1X	50V PP		D....3	50.04.0125	1N4448	50V SI			Q....28	50.03.0340	BC337-25				R...131	57.11.3153	15 kOhm	2%	0.25W	MF	
C....7	59.05.1681	680 pF	1X	50V PP		D....4	50.04.1102	6.8 V	5% 0.4W Zener			Q....29	50.03.0515	BC307B	BC557B, BC560B	NPN		R...132	57.11.3103	10 kOhm	2%	0.25W	MF	
C....8	59.06.0103	10 nF	10X	50V PTFP		D....5	50.04.1106	2.7 V	5% 0.4W Zener			Q....30	50.03.0436	BC237B	BC547B, BC550B	NPN		R...133	57.11.3221	220 Ohm	2%	0.25W	MF	
C....11	59.34.4151	150 pF	10X	50V Cer		D....6	50.04.1112	5.1 V	5% 0.4W Zener			Q....31	50.03.0515	BC307B	BC557B, BC560B	NPN		R...134	57.11.3221	220 Ohm	2%	0.25W	MF	
C....14	59.22.3470	47 uF	-20X	10V EL		D....7	50.04.0125	1N4448	50V SI			Q....32	50.03.0516	BC337	matched with Q33, PNP			R...135	57.11.3221	220 Ohm	2%	0.25W	MF	
C....16	59.22.2221	220 pF	-20X	6.3V EL		D....8	50.04.1106	2.7 V	5% 0.4W Zener			Q....33	50.03.0516	BC337	matched with Q32, PNP			R...136	57.11.3221	220 Ohm	2%	0.25W	MF	
C....18	59.22.3470	47 uF	-20X	10V EL		D....9		not used				Q....34	50.03.0625	BC327	matched with Q35, PNP			R...137	57.11.3682	6.8 kOhm	2%	0.25W	MF	
C....19	59.22.3470	47 uF	-20X	10V EL		D...10	50.04.0125	1N4448	50V SI			Q....35	50.03.0625	BC327	matched with Q34, PNP			R...138	57.11.3822	8.2 kOhm	2%	0.25W	MF	
C....20	59.05.2102	1 nF	2.5X	50V PP		D...11	50.04.0125	1N4448	50V SI			Q....36	50.03.0516	BC337	matched with Q37, PNP			R...139	58.01.8103	10 kOhm	10%	0.5 W	FMG	
C....21	59.05.2102	10 uF	2.5X	50V PP		D...12	50.04.0125	1N4448	50V SI			Q....37	50.03.0516	BC337	matched with Q36, PNP			R...140	57.11.3229	2.2 Ohm	2%	0.25W	MF	
C....22	59.22.6100	10 uF	-20X	35V EL		D...13	50.04.0125	1N4448	50V SI			Q....38	50.03.0625	BC327	matched with Q39, PNP			R...141	57.11.3301	300 Ohm	2%	0.25W	MF	
C....23	59.06.5682	6.8 nF	5X	50V PTFP		D...14	50.04.0125	1N4448	50V SI			Q....39	50.03.0625	BC327	matched with Q38, PNP			R...142	57.11.3332	3.3 kOhm	2%	0.25W	MF	
C....24	59.05.2102	1 nF	2.5X	50V PP		D...15	50.04.0125	1N4448	50V SI			Q....40	50.03.0350	J112		Hot		R...143	57.11.3332	3.3 kOhm	2%	0.25W	MF	
C....25	59.05.2102	10 uF	2.5X	50V PP		D...16	50.04.0125	1N4448	50V SI									R...145	57.11.3332	3.3 kOhm	2%	0.25W	MF	
C....26	59.06.0105	1 uF	10X	50V PTFP		D...17	50.04.0125	1N4448	50V SI			R...111	57.11.3152	1.5 kOhm	2%	0.25W	MF		R...147	57.11.3471	470 Ohm	2%	0.25W	MF
C....27	59.06.0473	47 nF	10X	50V PTFP		D...18	50.04.0125	1N4448	50V SI			R...112	57.11.3152	1.5 kOhm	2%	0.25W	MF		R...149	57.11.3220	22 Ohm	2%	0.25W	MF
C....28	59.06.0473	47 nF	10X	50V PTFP		D...19	50.04.0125	1N4448	50V SI			R...113	57.11.3392	3.9 kOhm	2%	0.25W	MF		R...150	57.11.3220	22 Ohm	2%	0.25W	MF
C....29	59.22.3470	47 uF	-20X	10V EL		D...20	50.04.0125	1N4448	50V SI			R...114	57.11.3392	3.9 kOhm	2%	0.25W	MF		R...151	57.11.3332	3.3 kOhm	2%	0.25W	MF
C....30	59.05.1332	3.3 nF	1X	50V PP		D...21	50.04.0125	1N4448	50V SI			R...115	57.11.3182	1.8 kOhm	2%	0.25W	MF		R...153	57.11.3332	3.3 kOhm	2%	0.25W	MF
C....31	59.05.1332	3.3 nF	1X	50V PP		D...22	50.04.1121	24 V	5% 0.4W Zener			R...118	58.01.8502	5 kOhm	10%	0.5 W	FMG		R...155	57.11.3471	470 Ohm	2%	0.25W	MF
C....32	59.05.2102	1 nF	2.5X	50V PP		D...23	50.04.0125	1N4448	50V SI			R...119	57.11.3824	820 Ohm	2%	0.25W	MF		R...157	57.11.3220	22 Ohm	2%	0.25W	MF
C....33	59.05.2102	1 nF	2.5X	50V PP		D...24	50.04.0125	1N4448	50V SI			R...120	57.11.3123	12 kOhm	2%	0.25W	MF		R...158	57.11.3220	22 Ohm	2%	0.25W	MF
C....34	59.22.8479	4.7 uF	-20X	35V EL		D...25	50.04.0125	1N4448	50V SI			R...121	57.11.3222	2.2 kOhm	2%	0.25W	MF		R...159	57.11.3470	47 Ohm	2%	0.25W	MF
C....35	59.22.6220	22 uF	-20X	35V EL		D...26	50.04.0125	1N4448	50V SI			R...125	57.11.3433	43 kOhm	2%	0.25W	MF		R...160	57.11.3229	2.2 Ohm	2%	0.25W	MF
C....36	59.06.0473	47 nF	10X	50V PTFP		D...27	50.04.0125	1N4448	50V SI			R...126	57.11.3392	3.9 kOhm	2%	0.25W	MF		R...161	57.11.3470	47 Ohm	2%	0.25W	MF
C....37	59.06.0473	47 nF	10X	50V PTFP		D...28	50.04.1114	10 V	5% 0.4W Zener			R...127	57.11.3432	4.3 kOhm	2%	0.25W	MF		R...162	57.11.3472	4.7 kOhm	2%	0.25W	MF
C....38	59.06.0473	47 nF	10X	50V PTFP		IC...2	50.09.0105	NE 5532	Dual Op. Amp.	Sig		R...128	57.11.3101	100 Ohm	2%	0.25W	MF		R...164	57.11.3102	1 kOhm	2%	0.25W	MF
C....39	59.22.3470	47 uF	-20X	10V EL		IC...5	50.09.0105	NE 5532	Dual Op. Amp.	Sig		R...146	57.11.3472	4.7 kOhm	2%	0.25W	MF		R...165	57.11.3470	47 Ohm	2%	0.25W	MF
C....40	59.06.5474	470 nF	5X	50V PTFP		IC...6	50.09.0107	RC 4559	Dual Op. Amp.	Ra		R...148	57.11.3473	4.7 kOhm	2%	0.25W	MF		R...166	57.11.3472	4.7 kOhm	2%	0.25W	MF
C....41	59.34.2220	22 pF	10X	50V Cer		IC...7	50.09.0107	RC 4559	Dual Op. Amp.	Ra		R...149	57.11.3472	4.7 kOhm	2%	0.25W	MF		R...167	57.11.3472	4.7 kOhm	2%	0.25W	MF
C....42	59.06.0223	22 pF	10X	50V Cer		IC...8	50.07.0024	MC 14052	CMOS Analog Switch	Hot		R...150	57.11.3102	100 Ohm	2%	0.25W	MF		R...168	57.11.3682	6.8 kOhm	2%	0.25W	MF
C....43	59.34.4221	220 pF	5X	50V Cer		IC...9	50.09.0107	RC 4559	Dual Op. Amp.	Ra		R...151	57.11.3472	4.7 kOhm	2%	0.25W	MF		R...169	57.11.3470	47 Ohm	2%	0.25W	MF
C....44	59.34.2220	22 pF	10X	50V Cer		IC...10	50.09.0107	RC 4559	Dual Op. Amp.	Ra		R...152	57.11.3473	4.7 kOhm	2%	0.25W	MF		R...170	57.11.3470	47 Ohm	2%	0.25W	MF
C....45	59.06.0103	10 nF	10X	50V PTFP		IC...11	50.07.0026	AD 7528JN	Dual 8-bit D/A Converter	ADI		R...153	57.11.3682	6.8 kOhm	2%	0.25W	MF		R...171	57.11.3470	47 Ohm	2%	0.25W	MF
C....46	59.06.0333	33 nF	10X	50V PTFP		IC...12	50.07.0002	AD 7524JN	8-bit D/A Converter	ADI		R...154	57.11.3472	4.7 kOhm	2%	0.25W	MF		R...172	57.11.3472	4.7 kOhm	2%	0.25W	MF
C....47	59.06.0104	100 nF	10X	50V PTFP		IC...13	50.09.0107	RC 4559	Dual Op. Amp.	Ra		R...155	57.11.3333	33 kOhm	2%	0.25W	MF		R...173	57.11.3229	2.2 Ohm	2%	0.25W	MF
C....48	59.22.3470	47 uF	-20X	10V EL																				
S T U D E R (00) 89/07/03 GP AUDIO ELECTRONICS BOARD TD PL 1.727.461.83 PAGE 1					S T U D E R (00) 89/07/03 GP AUDIO ELECTRONICS BOARD TD PL 1.727.461.83 PAGE 4					S T U D E R (00) 89/07/03 GP AUDIO ELECTRONICS BOARD TD PL 1.727.461.83 PAGE 7					S T U D E R (00) 89/07/03 GP AUDIO ELECTRONICS BOARD TD PL 1.727.461.83 PAGE 10									
C....49	59.22.3470	47 uF	-20X	10V EL		IC...14	50.09.0107	RC 4559	Dual Op. Amp.	Ra		R...157	57.11.3272	2.7 kOhm	2%	0.25W	MF		R...174	57.11.3102	1 kOhm	2%	0.25W	MF
C....50	59.06.0104	100 nF	10X	50V PTFP		IC...15	50.09.0101	LF 353	Dual Op. Amp.	NS		R...158	57.11.3272	2.7 kOhm	2%	0.25W	MF		R...175	57.11.3470	47 Ohm	2%	0.25W	MF
C....51	59.06.0103	10 nF	10X	50V PTFP		IC...16	50.09.0112	LM 13700	Dual OTA	Hot		R...159	57.11.3223	2.2 kOhm	2%	0.25W	MF		R...176	57.11.3472	4.7 kOhm	2%	0.25W	MF
C....52	59.06.0103	10 nF	10X	50V PTFP		IC...17	50.09.0117	MC 14053	CMOS Analog Switch	Hot		R...160	57.11.3473	4.7 kOhm	2%	0.25W	MF		R...177	57.11.3682	6.8 kOhm	2%	0.25W	MF
C....53	59.06.0102	1 nF	10X	50V PTFP		IC...18	50.07.0024	MC 14052	CMOS Analog Switch	Hot		R...161	57.11.3152	1.5 kOhm	2%	0.25W	MF		R...178	57.11.3682	6.8 kOhm	2%	0.25W	MF
C....54	59.05.2102	1 nF	2.5X	50V PP		IC...19	50.09.0107	RC 4559	Dual Op. Amp.	Ra		R...162	57.11.3103	10 kOhm	2%	0.25W	MF		R...180	57.11.3100	10 Ohm	2%	0.25W	MF
C....55	59.34.4680	68 pF	10X	50V Cer		IC...20	50.09.0107	RC 4559	Dual Op. Amp.	Ra		R...163	57.11.3104	100 kOhm	2%	0.25W	MF		R...181	57.09.0307	5.8 kOhm	2%	0.25W	FMG
C....56	59.06.0472	4.7 nF	10X	50V PTFP		IC...21	50.09.0107	RC 4559	Dual Op. Amp.	Ra		R...164	57.11.3102	1 kOhm	2%	0.25W	MF		R...182	57.11.3569	5.6 kOhm	2%	0.25W	MF
C....57	59.06.0103	10 nF	10X	50V PTFP		IC...22	50.09.0105	NE 5532	Dual Op. Amp.	Sig		R...165	57.11.3104	100 kOhm	2%	0.25W	MF		R...186	57.11.3222	2.2 kOhm	2%	0.25W	MF
C....58	59.06.0103	10 nF	10X	50V PTFP		IC...23	50.07.0026	AD 7528JN	Dual 8-bit D/A Converter	ADI		R...166	57.11.3243	24 kOhm	2%	0.25W	MF		R...187	57.11.3222	2.2 kOhm	2%	0.25W	MF
C....59	59.06.0103	10 nF	10X	50V PTF																				

AUDIO ELECTRONICS BOARD TD 1.727.461.83

IND.	POS.NO.	PART NO.	VALUE	SPECIFICATIONS / EQUIVALENT	MANUF.
R...	263	57.11.3223	22 kOhm	2%, 0.25W, MF	
R...	264	57.11.3222	2.2 kOhm	2%, 0.25W, MF	
R...	265	57.11.3473	47 kOhm	2%, 0.25W, MF	
R...	266	57.11.3103	10 kOhm	2%, 0.25W, MF	
R...	267	57.11.3682	6.8 kOhm	2%, 0.25W, MF	
R...	268	57.11.3682	6.8 kOhm	2%, 0.25W, MF	
R...	269	57.11.3103	10 kOhm	2%, 0.25W, MF	
R...	270	57.11.3472	4.7 kOhm	2%, 0.25W, MF	
R...	271	57.11.3122	1.2 kOhm	2%, 0.25W, MF	
R...	272	57.11.3223	22 kOhm	2%, 0.25W, MF	
R...	273	57.11.3223	22 kOhm	2%, 0.25W, MF	
R...	274	57.11.3473	47 kOhm	2%, 0.25W, MF	
R...	275	57.11.3223	22 kOhm	2%, 0.25W, MF	
R...	276	57.11.3103	10 kOhm	2%, 0.25W, MF	
R...	277	57.11.3339	3.3 Ohm	2%, 0.25W, MF	
R...	278	57.11.3103	10 kOhm	2%, 0.25W, MF	
R...	279	57.11.3103	10 kOhm	2%, 0.25W, MF	
R...	280	57.11.3339	3.3 Ohm	2%, 0.25W, MF	
R...	281	57.11.3222	2.2 kOhm	2%, 0.25W, MF	
R...	282	57.11.3222	2.2 kOhm	2%, 0.25W, MF	
R...	283	57.11.3339	3.3 Ohm	2%, 0.25W, MF	
R...	284	57.11.3103	10 kOhm	2%, 0.25W, MF	
R...	285	57.11.3103	10 kOhm	2%, 0.25W, MF	
R...	286	57.11.3339	3.3 Ohm	2%, 0.25W, MF	
R...	287	57.11.3472	4.7 kOhm	2%, 0.25W, MF	
R...	288	57.11.3103	10 kOhm	2%, 0.25W, MF	
R...	289	57.11.3471	470 Ohm	2%, 0.25W, MF	
R...	290	57.11.3391	390 Ohm	2%, 0.25W, MF	
R...	291	57.11.3152	1.5 kOhm	2%, 0.25W, MF	
R...	292	57.92.1151	18 Ohm	150mA, PIC	
R...	293	57.11.3180	18 Ohm	2%, 0.25W, MF	
R...	294	57.11.3470	47 Ohm	2%, 0.25W, MF	
R...	295	57.11.3223	22 kOhm	2%, 0.25W, MF	
R...	296	57.11.3105	1 MOhm	2%, 0.25W, MF	
R...	297	57.11.3472	4.7 kOhm	2%, 0.25W, MF	
T....	2	1.022.451.00	1:0.62	Line Input Trafo	St

S T U D E R (00) 89/07/03 GP AUDIO ELECTRONICS BOARD TD PL 1.727.461.83 PAGE 13

IND.	POS.NO.	PART NO.	VALUE	SPECIFICATIONS / EQUIVALENT	MANUF.
T....	3	1.022.271.00		Erase Trafo	St
T....	4	1.022.272.00		Bias Trafo	St
T....	6	1.022.355.00		Line Output Trafo	St
TP...	1	54.02.0320		Plug 2.8*0.8	AMP
TP...	2	54.02.0320		Plug 2.8*0.8	AMP
TP...	3	54.02.0320		Plug 2.8*0.8	AMP
TP...	4	54.02.0320		Plug 2.8*0.8	AMP
TP...	5	54.02.0320		Plug 2.8*0.8	AMP
TP...	6	54.02.0320		Plug 2.8*0.8	AMP
TP...	7	54.02.0320		Plug 2.8*0.8	AMP
W....	3	64.01.0106		Wire Bridge	
W....	4			not used	
W....	5	64.01.0106		Wire Bridge	
W....	6			not used	
W....	7	64.01.0106		Wire Bridge	
W....	8	64.01.0106		Wire Bridge	
W....	10	64.01.0106		Wire Bridge	
W....	11	57.11.3000		Wire Bridge	
XIC...	2	53.03.0166	8-Pole	IC Socket	
XIC...	5	53.03.0166	8-Pole	IC Socket	
XIC...	6	53.03.0166	8-Pole	IC Socket	
XIC...	7	53.03.0166	8-Pole	IC Socket	
XIC...	8	53.03.0168	16-Pole	IC Socket	
XIC...	9	53.03.0166	8-Pole	IC Socket	
XIC...	10	53.03.0166	8-Pole	IC Socket	
XIC...	11	53.03.0165	20-Pole	IC Socket	
XIC...	12	53.03.0168	16-Pole	IC Socket	
XIC...	13	53.03.0166	8-Pole	IC Socket	
XIC...	14	53.03.0166	8-Pole	IC Socket	
XIC...	15	53.03.0166	8-Pole	IC Socket	
XIC...	16	53.03.0168	16-Pole	IC Socket	
XIC...	17	53.03.0168	16-Pole	IC Socket	
XIC...	18	53.03.0168	16-Pole	IC Socket	
XIC...	19	53.03.0166	8-Pole	IC Socket	

S T U D E R (00) 89/07/03 GP AUDIO ELECTRONICS BOARD TD PL 1.727.461.83 PAGE 14

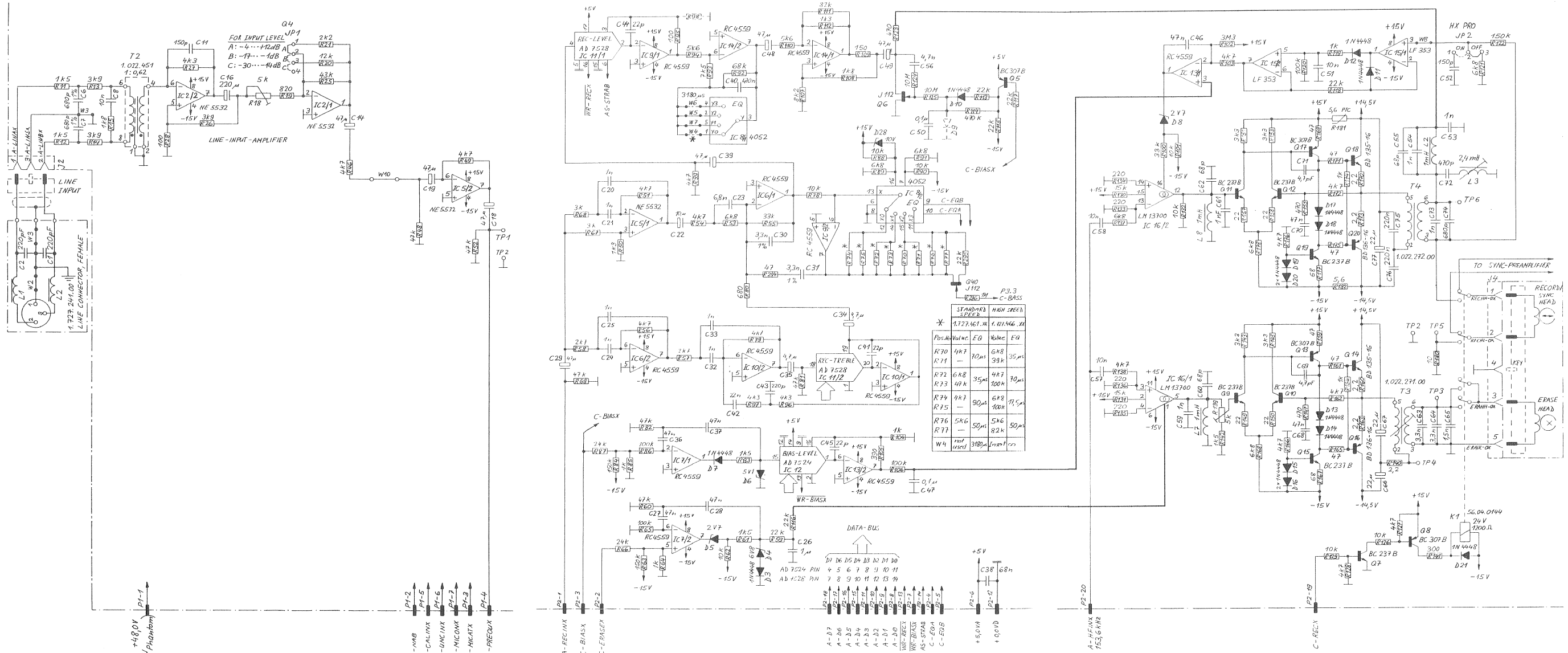
IND.	POS.NO.	PART NO.	VALUE	SPECIFICATIONS / EQUIVALENT	MANUF.
XIC...	20	53.03.0166	8-Pole	IC Socket	
XIC...	21	53.03.0166	8-Pole	IC Socket	
XIC...	22	53.03.0166	8-Pole	IC Socket	
XIC...	23	53.03.0165	20-Pole	IC Socket	
XIC...	24	53.03.0166	8-Pole	IC Socket	
XIC...	25	53.03.0166	8-Pole	IC Socket	
XIC...	26	53.03.0168	16-Pole	IC Socket	
XIC...	27	53.03.0166	8-Pole	IC Socket	

Cer = Ceramic EL = Electrolytic PETP = Polyester
 PP = Polypropylen MF = Metal Film SI = Silicon
 MANUFACTURER: ADI = Analog Devices Inc. Mot = Motorola
 NS = National Semiconductors Ra = Raytheon
 Sig = Signetics St = Studer

ORIG 89/07/03

S T U D E R (00) 89/07/03 GP AUDIO ELECTRONICS BOARD TD PL 1.727.461.83 PAGE 15

AUDIO ELECTRONICS BOARD TD 1.727.461.84
 -AUDIO ELECTRONICS BOARD TD,HS 1.727.466.00

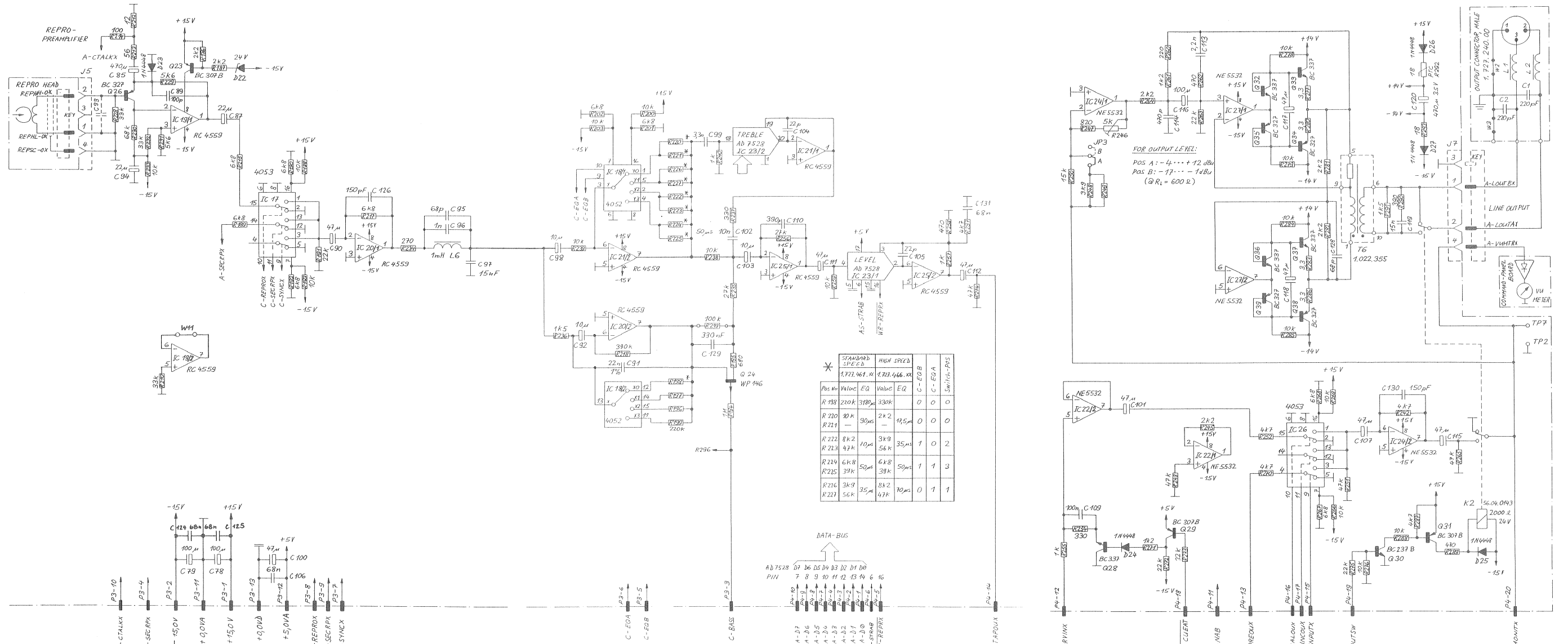


0 22.3.90 GP	A 807 GR 41/42	SC	1.727.461.84	PAGE 1 OF 6
STUDER	AUDIO ELECTRONICS BOARD TD			
	AUDIO ELECTRONICS BOARD TD HS		1.727.466.00	

0 22.3.90 GP	A 807 GR 41/42	SC	1.727.461.84	PAGE 2 OF 6
STUDER	AUDIO ELECTRONICS BOARD TD			
	AUDIO ELECTRONICS BOARD TD HS		1.727.466.00	

0 22.3.90 GP	A 807 GR 41/42	SC	1.727.461.84	PAGE 3 OF 6
STUDER	AUDIO ELECTRONICS BOARD TD			
	AUDIO ELECTRONICS BOARD TD HS		1.727.466.00	

AUDIO ELECTRONICS BOARD TD 1.727.461.84
 -AUDIO ELECTRONICS BOARD TD,HS 1.727.466.00



22.3.90 GP	A 807 GR 41/42	PAGE 4 OF 6
STUDER	AUDIO ELECTRONICS BOARD TD	SC 1.727.461.84
	AUDIO ELECTRONICS BOARD TD HS	1.727.466.00

22.3.90 GP	A 807 GR 41/42	PAGE 5 OF 6
STUDER	AUDIO ELECTRONICS BOARD TD	SC 1.727.461.84
	AUDIO ELECTRONICS BOARD TD HS	1.727.466.00

22.3.90 GP	A 807 GR 41/42	PAGE 6 OF 6
STUDER	AUDIO ELECTRONICS BOARD TD	SC 1.727.461.84
	AUDIO ELECTRONICS BOARD TD HS	1.727.466.00

STUDER A807 MKII

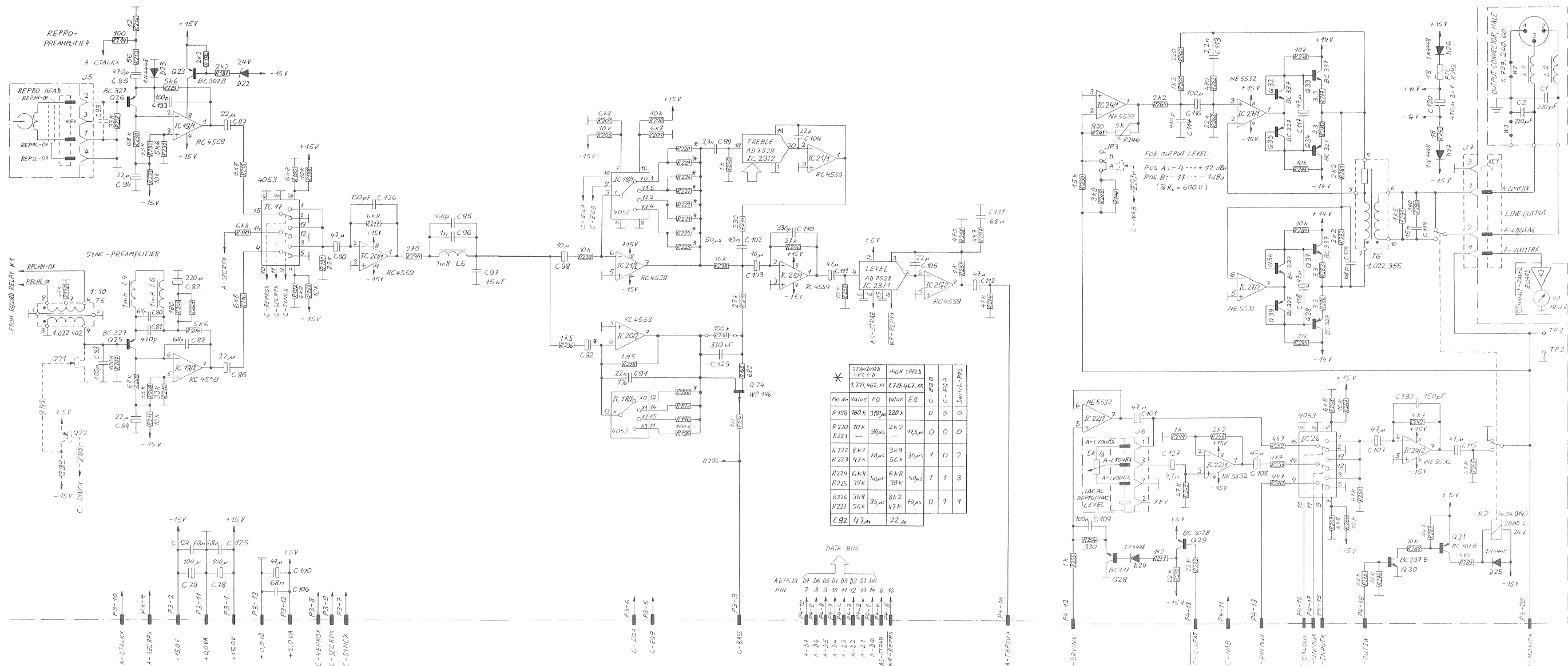
AUDIO ELECTRONICS BOARD TD 1.727.461.84

IND.	POS.NO.	PART NO.	VALUE	SPECIFICATIONS / EQUIVALENT	MANUF.	IND.	POS.NO.	PART NO.	VALUE	SPECIFICATIONS / EQUIVALENT	MANUF.	IND.	POS.NO.	PART NO.	VALUE	SPECIFICATIONS / EQUIVALENT	MANUF.	IND.	POS.NO.	PART NO.	VALUE	SPECIFICATIONS / EQUIVALENT	MANUF.						
C....6	59.05.1681	680 pF	1%	50V	PP	D....5	50.04.1106	2.7 V	5%	0.4W	Zener	Q....30	50.03.0436	BC237B	BC547B, BC550B	NPN	R....133	57.11.3221	220 Ohm	2%	0.25W	MF	R....133	57.11.3221	220 Ohm	2%	0.25W	MF	
C....7	59.06.0103	10 nF	10%	50V	PETP	D....6	50.04.1112	5.1 V	5%	0.4W	Zener	Q....31	50.03.0515	BC307B	BC557B, BC560B	NPN	R....134	57.11.3221	220 Ohm	2%	0.25W	MF	R....134	57.11.3221	220 Ohm	2%	0.25W	MF	
C....11	59.34.4151	150 pF	10%	50V	Cer	D....7	50.04.0125	1N4448	50V	SI	Q....32	50.03.0516	BC337	matched with Q33, NPN	R....135	57.11.3221	220 Ohm	2%	0.25W	MF	R....135	57.11.3221	220 Ohm	2%	0.25W	MF			
C....14	59.22.3470	47 uF	-20%	10V	EL	D....8	50.04.1106	2.7 V	5%	0.4W	Zener	Q....33	50.03.0516	BC337	matched with Q32, NPN	R....136	57.11.3221	220 Ohm	2%	0.25W	MF	R....136	57.11.3221	220 Ohm	2%	0.25W	MF		
C....16	59.22.2221	220 uF	-20%	6.3V	EL	D....9	50.04.0125	1N4448	50V	SI	Q....34	50.03.0625	BC327	matched with Q35, NPN	R....137	57.11.3472	4.7 kOhm	2%	0.25W	MF	R....137	57.11.3472	4.7 kOhm	2%	0.25W	MF			
C....18	59.22.3470	47 uF	-20%	10V	EL	D....10	50.04.0125	1N4448	50V	SI	Q....35	50.03.0625	BC327	matched with Q36, NPN	R....138	57.11.3472	4.7 kOhm	2%	0.25W	MF	R....138	57.11.3472	4.7 kOhm	2%	0.25W	MF			
C....19	59.22.3470	47 uF	-20%	10V	EL	D....11	50.04.0125	1N4448	50V	SI	Q....36	50.03.0516	BC337	matched with Q37, NPN	R....139	58.01.8502	5 kOhm	10%	0.5 W	PMG	R....139	58.01.8502	5 kOhm	10%	0.5 W	PMG			
C....20	59.05.2102	1 nF	2.5%	50V	PP	D....12	50.04.0125	1N4448	50V	SI	Q....37	50.03.0516	BC337	matched with Q36, NPN	R....140	57.11.3229	2.2 Ohm	2%	0.25W	MF	R....140	57.11.3229	2.2 Ohm	2%	0.25W	MF			
C....22	59.22.6100	10 uF	-20%	35V	EL	D....13	50.04.0125	1N4448	50V	SI	Q....38	50.03.0625	BC327	matched with Q39, NPN	R....141	57.11.3332	3.3 kOhm	2%	0.25W	MF	R....141	57.11.3332	3.3 kOhm	2%	0.25W	MF			
C....23	59.06.5682	6.8 nF	1%	50V	PETP	D....14	50.04.0125	1N4448	50V	SI	Q....39	50.03.0625	BC327	matched with Q38, NPN	R....142	57.11.3152	1.5 kOhm	2%	0.25W	MF	R....142	57.11.3152	1.5 kOhm	2%	0.25W	MF			
C....24	59.05.2102	1 nF	2.5%	50V	PP	D....15	50.04.0125	1N4448	50V	SI	Q....40	50.03.0350	J112		Not	R....143	57.11.3332	3.3 kOhm	2%	0.25W	MF	R....143	57.11.3332	3.3 kOhm	2%	0.25W	MF		
C....25	59.05.2102	1 nF	2.5%	50V	PP	D....16	50.04.0125	1N4448	50V	SI	R....11	57.11.3152	1.5 kOhm	2%	0.25W	MF	R....144	57.11.3229	2.2 Ohm	2%	0.25W	MF	R....144	57.11.3229	2.2 Ohm	2%	0.25W	MF	
C....26	59.06.0105	47 uF	10%	50V	PETP	D....17	50.04.0125	1N4448	50V	SI	R....12	57.11.3152	1.5 kOhm	2%	0.25W	MF	R....145	57.11.3332	3.3 kOhm	2%	0.25W	MF	R....145	57.11.3332	3.3 kOhm	2%	0.25W	MF	
C....27	59.06.0473	47 nF	10%	50V	PETP	D....18	50.04.0125	1N4448	50V	SI	R....13	57.11.3392	3.9 kOhm	2%	0.25W	MF	R....146	57.11.3471	470 Ohm	2%	0.25W	MF	R....146	57.11.3471	470 Ohm	2%	0.25W	MF	
C....28	59.06.0473	47 nF	10%	50V	PETP	D....19	50.04.0125	1N4448	50V	SI	R....14	57.11.3392	3.9 kOhm	2%	0.25W	MF	R....147	57.11.3220	22 Ohm	2%	0.25W	MF	R....147	57.11.3220	22 Ohm	2%	0.25W	MF	
C....29	59.22.3470	47 uF	-20%	10V	EL	D....20	50.04.0125	1N4448	50V	SI	R....15	57.11.3182	1.8 kOhm	2%	0.25W	MF	R....148	57.11.3220	22 Ohm	2%	0.25W	MF	R....148	57.11.3220	22 Ohm	2%	0.25W	MF	
C....30	59.05.1332	3.3 nF	1%	50V	PP	D....21	50.04.0125	1N4448	50V	SI	R....16	58.01.8502	5 kOhm	10%	0.5 W	PMG	R....149	57.11.3220	22 Ohm	2%	0.25W	MF	R....149	57.11.3220	22 Ohm	2%	0.25W	MF	
C....31	59.05.1332	3.3 nF	1%	50V	PP	D....22	50.04.1121	24 V	5%	0.4W	Zener	R....17	57.11.3821	820 Ohm	2%	0.25W	MF	R....150	57.11.3220	22 Ohm	2%	0.25W	MF	R....150	57.11.3220	22 Ohm	2%	0.25W	MF
C....32	59.05.2102	1 nF	2.5%	50V	PP	D....23	50.04.0125	1N4448	50V	SI	R....18	57.11.3123	12 kOhm	2%	0.25W	MF	R....151	57.11.3332	3.3 kOhm	2%	0.25W	MF	R....151	57.11.3332	3.3 kOhm	2%	0.25W	MF	
C....33	59.05.2102	1 nF	2.5%	50V	PP	D....24	50.04.0125	1N4448	50V	SI	R....19	57.11.3222	2.2 kOhm	2%	0.25W	MF	R....152	57.11.3471	470 Ohm	2%	0.25W	MF	R....152	57.11.3471	470 Ohm	2%	0.25W	MF	
C....34	59.22.3470	4.7 uF	-20%	35V	EL	D....25	50.04.0125	1N4448	50V	SI	R....20	57.11.3433	43 kOhm	2%	0.25W	MF	R....153	57.11.3220	22 Ohm	2%	0.25W	MF	R....153	57.11.3220	22 Ohm	2%	0.25W	MF	
C....35	59.22.0479	4.7 uF	-20%	35V	EL	D....26	50.04.1114	10 V	5%	0.4W	Zener	R....21	57.11.3222	2.2 kOhm	2%	0.25W	MF	R....154	57.11.3229	2.2 Ohm	2%	0.25W	MF	R....154	57.11.3229	2.2 Ohm	2%	0.25W	MF
C....36	59.06.0473	47 nF	10%	50V	PETP	D....27	50.04.1114	10 V	5%	0.4W	Zener	R....22	57.11.3392	3.9 kOhm	2%	0.25W	MF	R....155	57.11.3229	2.2 Ohm	2%	0.25W	MF	R....155	57.11.3229	2.2 Ohm	2%	0.25W	MF
C....37	59.06.0473	47 nF	10%	50V	PETP	IC....2	50.09.0105	NE 5532	Dual Op. Amp.	Sig	R....23	57.11.3101	100 Ohm	2%	0.25W	MF	R....156	57.11.3470	47 Ohm	2%	0.25W	MF	R....156	57.11.3470	47 Ohm	2%	0.25W	MF	
C....38	59.06.0683	68 nF	10%	50V	PETP	IC....5	50.09.0105	NE 5532	Dual Op. Amp.	Sig	R....24	57.11.3472	4.7 kOhm	2%	0.25W	MF	R....157	57.11.3220	22 Ohm	2%	0.25W	MF	R....157	57.11.3220	22 Ohm	2%	0.25W	MF	
C....39	59.22.3470	47 uF	-20%	10V	EL	IC....6	50.09.0107	RC 4559	Dual Op. Amp.	Ra	R....25	57.11.3473	47 kOhm	2%	0.25W	MF	R....158	57.11.3470	47 Ohm	2%	0.25W	MF	R....158	57.11.3470	47 Ohm	2%	0.25W	MF	
C....40	59.06.5474	470 nF	5%	50V	PETP	IC....7	50.09.0107	RC 4559	Dual Op. Amp.	Ra	R....26	57.11.3192	1.3 kOhm	2%	0.25W	MF	R....159	57.11.3472	4.7 kOhm	2%	0.25W	MF	R....159	57.11.3472	4.7 kOhm	2%	0.25W	MF	
C....41	59.34.2220	22 nF	10%	50V	PETP	IC....8	50.09.0107	RC 4559	Dual Op. Amp.	Ra	R....27	57.11.3102	4.7 kOhm	2%	0.25W	MF	R....160	57.11.3229	2.2 Ohm	2%	0.25W	MF	R....160	57.11.3229	2.2 Ohm	2%	0.25W	MF	
C....42	59.06.0223	22 nF	10%	50V	PETP	IC....9	50.09.0107	RC 4559	Dual Op. Amp.	Ra	R....28	57.11.3432	4.3 kOhm	2%	0.25W	MF	R....161	57.11.3470	47 Ohm	2%	0.25W	MF	R....161	57.11.3470	47 Ohm	2%	0.25W	MF	
C....43	59.34.4221	220 pF	5%	50V	Cer	IC....10	50.09.0107	RC 4559	Dual Op. Amp.	Ra	R....29	57.11.3101	100 Ohm	2%	0.25W	MF	R....162	57.11.3229	2.2 Ohm	2%	0.25W	MF	R....162	57.11.3229	2.2 Ohm	2%	0.25W	MF	
C....44	59.34.2220	22 nF	10%	50V	PETP	IC....11	50.07.0026	AD 75283N	Dual 8-bit D/A Converter	ADI	R....30	57.11.3472	4.7 kOhm	2%	0.25W	MF	R....163	57.11.3229	2.2 Ohm	2%	0.25W	MF	R....163	57.11.3229	2.2 Ohm	2%	0.25W	MF	
C....45	59.34.2220	22 nF	10%	50V	Cer	IC....12	50.07.0022	AD 75244N	8-bit D/A Converter	ADI	R....31	57.11.3472	4.7 kOhm	2%	0.25W	MF	R....164	57.11.3682	6.8 Ohm	2%	0.25W	MF	R....164	57.11.3682	6.8 Ohm	2%	0.25W	MF	
C....46	59.06.0473	47 nF	10%	50V	PETP	IC....13	50.09.0107	RC 4559	Dual Op. Amp.	Ra	R....32	57.11.3682	6.8 kOhm	2%	0.25W	MF	R....165	57.11.3470	47 Ohm	2%	0.25W	MF	R....165	57.11.3470	47 Ohm	2%	0.25W	MF	
C....47	59.06.0104	100 nF	10%	50V	PETP	IC....14	50.09.0107	RC 4559	Dual Op. Amp.	Ra	R....33	57.11.3472	4.7 kOhm	2%	0.25W	MF	R....166	57.11.3472	4.7 kOhm	2%	0.25W	MF	R....166	57.11.3472	4.7 kOhm	2%	0.25W	MF	
C....48	59.22.3470	47 uF	-20%	10V	EL	IC....15	50.09.0101	LF 353	Dual Op. Amp.	NS	R....34	57.11.3272	2.7 kOhm	2%	0.25W	MF	R....167	57.11.3229	2.2 Ohm	2%	0.25W	MF	R....167	57.11.3229	2.2 Ohm	2%	0.25W	MF	

S T U D E R (00) 90/03/12 GP AUDIO ELECTRONICS BOARD TD PL 1.727.461.84 PAGE 1 S T U D E R (00) 90/03/12 GP AUDIO ELECTRONICS BOARD TD PL 1.727.461.84 PAGE 4 S T U D E R (00) 90/03/12 GP AUDIO ELECTRONICS BOARD TD PL 1.727.461.84 PAGE 7 S T U D E R (00) 90/03/12 GP AUDIO ELECTRONICS BOARD TD PL 1.727.461.84 PAGE 10

IND.	POS.NO.	PART NO.	VALUE	SPECIFICATIONS / EQUIVALENT	MANUF.	IND.	POS.NO.	PART NO.	VALUE	SPECIFICATIONS / EQUIVALENT	MANUF.	IND.	POS.NO.	PART NO.	VALUE	SPECIFICATIONS / EQUIVALENT	MANUF.	IND.	POS.NO.	PART NO.	VALUE	SPECIFICATIONS / EQUIVALENT	MANUF.					
C....49	59.22.3470	47 uF	-20%	10V	EL	IC....16	50.09.0112	LM 13700	Dual OTA	NS	R....59	57.11.3223	22 kOhm	2%	0.25W	MF	R....176	57.11.3472	4.7 kOhm	2%	0.25W	MF	R....176	57.11.3472	4.7 kOhm	2%	0.25W	MF
C....50	59.06.0104	100 nF	10%	50V	PETP	IC....17	50.03.0135	NC 14053	CMOS Analog Switch	Met	R....60	57.11.3473	4.7 kOhm	2%	0.25W	MF	R....177	57.11.3680	6.8 Ohm	2%	0.25W	MF	R....177	57.11.3680	6.8 Ohm	2%	0.25W	MF
C....51	59.06.0103	10 nF	10%	50V	PETP	IC....18	50.07.0024	NC 14052	CMOS Analog Switch	Met	R....61	57.11.3152	1.5 kOhm	2%	0.25W	MF	R....178	57.11.3682	6.8 Ohm	2%	0.25W	MF	R....178	57.11.3682	6.8 Ohm	2%	0.25W	MF

AUDIO ELECTRONICS BOARD 2/2 VUK 1.727.462.83
 -AUDIO ELECTRONICS BOARD 2/2 VUK,HS 1.727.467.82

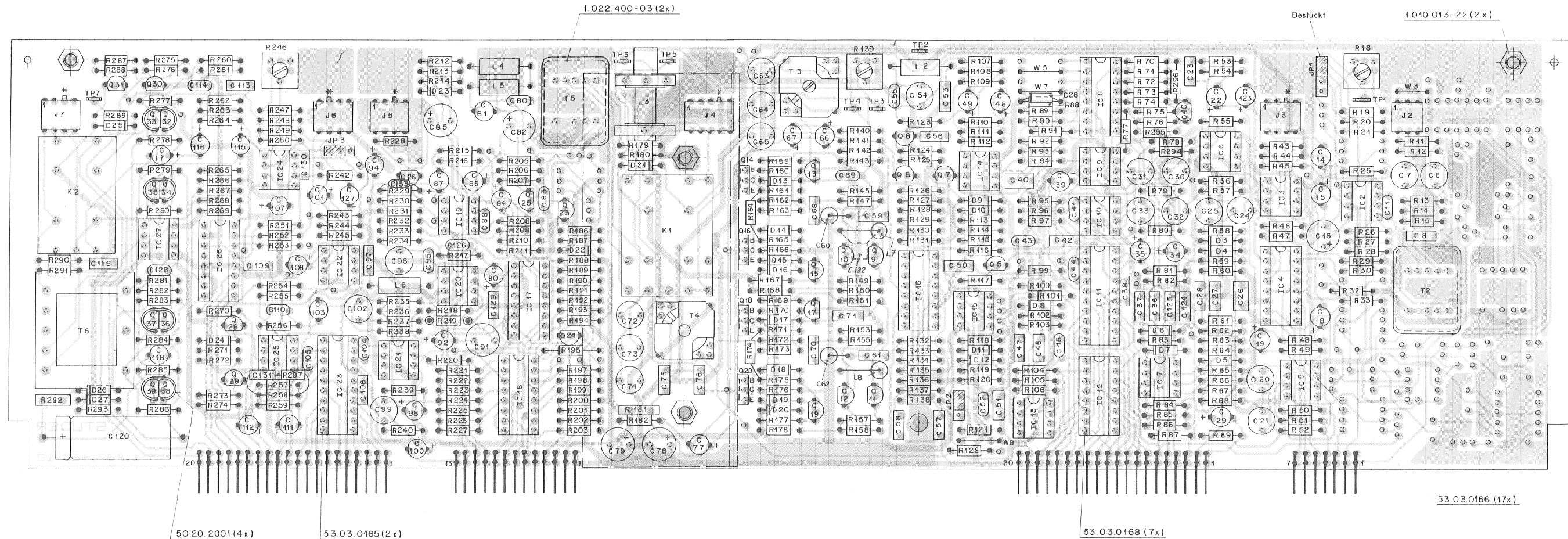


9.7.89 GP	A 807 GR 41/42	PAGE 4 OF 6
STUDER	AUDIO ELECTRONICS BOARD 2/2 VUK	SC 1.727.462.83
	AUDIO ELECTRONICS BOARD 2/2 VUK HS	1.727.467.82

9.7.89 GP	A 807 GR 41/42	PAGE 5 OF 6
STUDER	AUDIO ELECTRONICS BOARD 2/2 VUK	SC 1.727.462.83
	AUDIO ELECTRONICS BOARD 2/2 VUK HS	1.727.467.82

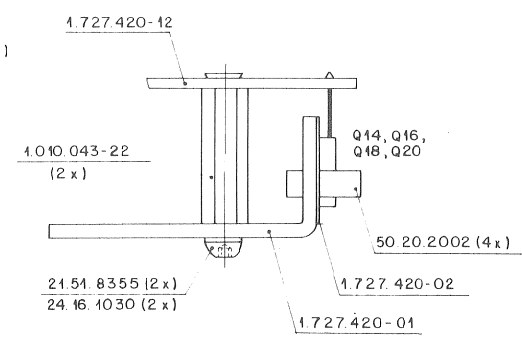
9.7.89 GP	A 807 GR 41/42	PAGE 6 OF 6
STUDER	AUDIO ELECTRONICS BOARD 2/2 VUK	SC 1.727.462.83
	AUDIO ELECTRONICS BOARD 2/2 VUK HS	1.727.467.82

AUDIO ELECTRONICS BOARD 2/2 VUK 1.727.462.83
 -AUDIO ELECTRONICS BOARD 2/2 VUK,HS 1.727.467.82



- R18 = INPUT LEVEL ADJUSTMENT
- R139 = ERASE VOLTAGE ADJUSTMENT
- R246 = OUTPUT LEVEL ADJUSTMENT
- L3 = BIAS TRAP
- T3 = ERASE HEAD CIRCUIT
- JP1 INPUT LEVEL SENSITIVITY
- JP2 HX PRO. A = ON, B = OFF
- JP3 OUTPUT LEVEL SENSITIVITY
- TP1 RECORD AMPLIFIER SIGNAL (0.775 V = 0 VU)
- TP2 0.0 V
- TP3 VOLTAGE ON ERASE HEAD
- TP4 PRIMARY CURRENT ON ERASE TRANSFORMER
- TP5 BIAS CURRENT ON 10 Ω
- TP6 REJECTOR FILTER ADJUSTMENT
- TP7 VU METER SIGNAL (0.775 V = 0 VU)

FACTORY STANDARD SETTING



* Codierung - Schalldraht 64.01.0108 Ø0,8x8mm (muss 1mm vorstehen)

Schilder 1.727.462-10 / 43.01.0108 aufgeklebt nach Fabrikationsmuster

STUDER A807 MKII

AUDIO ELECTRONICS BOARD 2/2 VUK 1.727.462.83

IND.	POS.NO.	PART NO.	VALUE	SPECIFICATIONS / EQUIVALENT	MANUF.	IND.	POS.NO.	PART NO.	VALUE	SPECIFICATIONS / EQUIVALENT	MANUF.	IND.	POS.NO.	PART NO.	VALUE	SPECIFICATIONS / EQUIVALENT	MANUF.	IND.	POS.NO.	PART NO.	VALUE	SPECIFICATIONS / EQUIVALENT	MANUF.
C...6	59.05.1681	680 pF	1X	50V PP		C...124	59.06.0683	68 nF	10X	50V PETF		Q...8	50.03.0515	BC307B	BC557B, BC560B	PNP	R...101	57.11.3103	10 kOhm	2X	0.25W, MF		
C...7	59.05.1681	680 pF	1X	50V PP		C...125	59.06.0683	68 nF	10X	50V PETF		Q...9	50.03.0436	BC237B	BC547B, BC550B	NPN	R...102	57.11.5335	3.3 MOhm	5X	0.25W, MF		
C...8	59.06.0103	10 nF	10X	50V PETF		C...126	59.34.4151	150 pF	10X	50V Cer		Q...10	50.03.0436	BC237B	BC547B, BC550B	NPN	R...103	57.11.3472	4.7 kOhm	2X	0.25W, MF		
C...11	59.34.4151	150 pF	10X	50V Cer		C...127	59.22.8479	4.7 uF	10X	25V EL		Q...11	50.03.0436	BC237B	BC547B, BC550B	NPN	R...104	57.11.3102	1 kOhm	2X	0.25W, MF		
C...14	59.22.3470	47 uF	-20X	10V EL		C...128	59.34.4680	68 pF	10X	50V Cer		Q...12	50.03.0436	BC237B	BC547B, BC550B	NPN	R...105	57.11.3391	390 Ohm	2X	0.25W, MF		
C...15	59.22.3470	47 uF	-20X	10V EL		C...129	59.06.5334	330 nF	5X	50V PETF		Q...13	50.03.0515	BC307B	BC557B, BC560B	PNP	R...106	57.11.3104	100 kOhm	2X	0.25W, MF		
C...16	59.22.2221	220 uF	-20X	6.3V EL		C...130	59.34.4151	150 pF	10X	50V Cer		Q...14	50.03.0495	BB135-16		NPN	R...107	57.11.3104	100 kOhm	2X	0.25W, MF		
C...18	59.22.3470	47 uF	-20X	10V EL		C...131	59.06.0683	68 nF	10X	50V PETF		Q...15	50.03.0436	BC237B	BC547B, BC550B	NPN	R...108	57.11.3182	1.8 kOhm	2X	0.25W, MF		
C...19	59.22.3470	47 uF	-20X	10V EL		C...132	59.34.4101	100 pF	5X	50V Cer		Q...16	50.03.0510	BB136-16		PNP	R...109	57.11.3151	150 Ohm	2X	0.25W, MF		
C...20	59.05.2102	1 nF	2.5X	50V PP		C...133	59.34.4101	100 pF	5X	50V Cer		Q...17	50.03.0515	BC307B	BC557B, BC560B	PNP	R...110	57.11.3562	5.6 kOhm	2X	0.25W, MF		
C...21	59.05.2102	1 nF	2.5X	50V PP		D...3	50.04.0125	1N444B	50V	SI		Q...18	50.03.0495	BB135-16		NPN	R...111	57.11.3823	82 kOhm	2X	0.25W, MF		
C...22	59.05.2102	1 nF	2.5X	50V PP		D...4	50.04.1102	6.8 V	5X	0.4W Zener		Q...19	50.03.0436	BC237B	BC547B, BC550B	NPN	R...112	57.11.3132	1.3 kOhm	2X	0.25W, MF		
C...23	59.06.5682	6.8 nF	5X	50V PETF		D...5	50.04.1106	2.7 V	5X	0.4W Zener		Q...20	50.03.0510	BB136-16		PNP	R...113	57.11.3223	22 kOhm	2X	0.25W, MF		
C...24	59.05.2102	1 nF	2.5X	50V PP		D...6	50.04.1102	5.1 V	5X	0.4W Zener		Q...21			not used		R...114	57.11.3474	470 kOhm	2X	0.25W, MF		
C...25	59.05.2102	1 nF	2.5X	50V PP		D...7	50.04.0125	1N444B	50V	SI		Q...22			not used		R...115	57.11.3223	22 kOhm	2X	0.25W, MF		
C...26	59.06.0105	1 uF	10X	50V PETF		D...8	50.04.1106	2.7 V	5X	0.4W Zener		Q...23	50.03.0515	BC307B	BC557B, BC560B	PNP	R...116	57.11.3223	22 kOhm	2X	0.25W, MF		
C...27	59.06.0473	47 nF	10X	50V PETF		D...9			not used		Q...24	50.03.0329	WF146		FET	R...117	57.11.3223	22 kOhm	2X	0.25W, MF			
C...28	59.06.0473	47 nF	10X	50V PETF		D...10	50.04.0125	1N444B	50V	SI		Q...25	50.03.0625	BC327		PNP	R...118	57.11.3223	22 kOhm	2X	0.25W, MF		
C...29	59.06.0473	47 nF	-20X	10V EL		D...11	50.04.0125	1N444B	50V	SI		Q...26	50.03.0625	BC327		PNP	R...119	57.11.3102	1 kOhm	2X	0.25W, MF		
C...30	59.05.1332	3.3 nF	1X	50V PP		D...12	50.04.0125	1N444B	50V	SI		Q...27	50.03.0340	BC337-25		PNP	R...120	57.11.3104	100 kOhm	2X	0.25W, MF		
C...31	59.05.1332	3.3 nF	1X	50V PP		D...13	50.04.0125	1N444B	50V	SI		Q...28	50.03.0515	BC307B	BC547B, BC550B	NPN	R...121	57.11.3104	100 kOhm	2X	0.25W, MF		
C...32	59.05.2102	1 nF	2.5X	50V PP		D...14	50.04.0125	1N444B	50V	SI		Q...29	50.03.0436	BC237B	BC547B, BC550B	NPN	R...122	57.11.3154	150 kOhm	2X	0.25W, MF		
C...33	59.05.2102	1 nF	2.5X	50V PP		D...15	50.04.0125	1N444B	50V	SI		Q...30	50.03.0515	BC307B	BC557B, BC560B	PNP	R...123	57.11.3471	470 Ohm	2X	0.25W, MF		
C...34	59.22.8479	4.7 uF	-20X	35V EL		D...16	50.04.0125	1N444B	50V	SI		Q...31	50.03.0515	BC307B	BC547B, BC550B	NPN	R...124	57.11.5106	10 MOhm	5X	0.25W, MF		
C...35	59.22.8479	4.7 uF	-20X	35V EL		D...17	50.04.0125	1N444B	50V	SI		Q...32	50.03.0516	BC337	matched with Q33, NPN		R...125	57.11.3103	10 MOhm	5X	0.25W, MF		
C...36	59.06.0473	47 nF	10X	50V PETF		D...18	50.04.0125	1N444B	50V	SI		Q...33	50.03.0516	BC337	matched with Q32, NPN		R...126	57.11.3106	10 MOhm	5X	0.25W, MF		
C...37	59.06.0473	47 nF	10X	50V PETF		D...19	50.04.0125	1N444B	50V	SI		Q...34	50.03.0625	BC327	matched with Q35, PNP		R...127	57.11.3472	4.7 kOhm	2X	0.25W, MF		
C...38	59.06.0683	68 nF	10X	50V PETF		D...20	50.04.0125	1N444B	50V	SI		Q...35	50.03.0625	BC327	matched with Q34, PNP		R...128	57.11.3472	4.7 kOhm	2X	0.25W, MF		
C...39	59.22.3470	47 uF	-20X	10V EL		D...21	50.04.0125	1N444B	50V	SI		Q...36	50.03.0516	BC337	matched with Q36, NPN		R...129	57.11.3103	10 kOhm	2X	0.25W, MF		
C...40	59.06.5474	470 nF	5X	50V PETF		D...22	50.04.1121	24 V	5X	0.4W Zener		Q...37	50.03.0516	BC337	matched with Q36, NPN		R...130	57.11.3153	15 kOhm	2X	0.25W, MF		
C...41	59.34.2220	22 pF	10X	50V Cer		D...23	50.04.0125	1N444B	50V	SI		Q...38	50.03.0625	BC327	matched with Q39, PNP		R...131	57.11.3153	15 kOhm	2X	0.25W, MF		
C...42	59.06.0223	22 pF	10X	50V Cer		D...24	50.04.0125	1N444B	50V	SI		Q...39	50.03.0625	BC327	matched with Q38, PNP		R...132	57.11.3152	10 MOhm	5X	0.25W, MF		
C...43	59.34.4221	220 pF	5X	50V Cer		D...25	50.04.0125	1N444B	50V	SI		Q...40	50.03.0350	J112			R...133	57.11.3221	220 Ohm	2X	0.25W, MF		
C...44	59.34.2220	22 pF	10X	50V Cer		D...26	50.04.0125	1N444B	50V	SI		R...11	57.11.3152	1.5 kOhm	2X	0.25W, MF		R...134	57.11.3221	220 Ohm	2X	0.25W, MF	
C...45	59.34.2220	22 pF	10X	50V Cer		D...27	50.04.0125	1N444B	50V	SI		R...12	57.11.3152	1.5 kOhm	2X	0.25W, MF		R...135	57.11.3221	220 Ohm	2X	0.25W, MF	
C...46	59.06.0333	33 nF	10X	50V PETF		D...28	50.04.1114	10 V	5X	0.4W Zener		R...13	57.11.3392	3.9 kOhm	2X	0.25W, MF		R...136	57.11.3221	220 Ohm	2X	0.25W, MF	
C...47	59.06.0104	100 pF	10X	50V PETF							R...14	57.11.3392	3.9 kOhm	2X	0.25W, MF		R...137	57.11.3682	6.8 kOhm	2X	0.25W, MF		

S T U D E R (00) 89/07/03 GP AUDIO ELECTRONICS BOARD 2/2VUK PL 1.727.462.83 PAGE 1 S T U D E R (00) 89/07/03 GP AUDIO ELECTRONICS BOARD 2/2VUK PL 1.727.462.83 PAGE 4 S T U D E R (00) 89/07/03 GP AUDIO ELECTRONICS BOARD 2/2VUK PL 1.727.462.83 PAGE 7 S T U D E R (00) 89/07/03 GP AUDIO ELECTRONICS BOARD 2/2VUK PL 1.727.462.83 PAGE 10

IND.	POS.NO.	PART NO.	VALUE	SPECIFICATIONS / EQUIVALENT	MANUF.	IND.	POS.NO.	PART NO.	VALUE	SPECIFICATIONS / EQUIVALENT	MANUF.	IND.	POS.NO.	PART NO.	VALUE	SPECIFICATIONS / EQUIVALENT	MANUF.	IND.	POS.NO.	PART NO.	VALUE	SPECIFICATIONS / EQUIVALENT	MANUF.
C...48	59.22.3470	47 uF	-20X	10V EL		IC...2	50.09.0105	NE 5532	Dual Op. Amp.	Sig	R...15	57.11.3182	1.8 kOhm	2X	0.25W, MF		R...138	57.11.3822	8.2 kOhm	2X	0.25W, MF		
C...49	59.22.3470	47 uF	-20X	10V EL		IC...3	50.09.0105	NE 5532	Dual Op. Amp.	Sig	R...16	59.01.8502	5 kOhm	10X	0.5 W, PMG		R...139	59.01.8103	10 kOhm	10X	0.5 W, PMG		
C...50	59.06.0104	100 nF	10X	50V PETF		IC...4	50.07.0015	MC 14053	CMOS Analog Switch	Not	R...17	57.11.3821	820 Ohm	2X	0.25W, MF		R...140	57.11.3229	2.2 Ohm	2X	0.25W, MF		
C...51	59.06.0103	10 nF	10X	50V PETF		IC...5	50.09.0105	NE 5532	Dual Op. Amp.	Sig	R...18	57.11.3123	12 kOhm	2X	0.25W, MF		R...141	57.11.3301	300 Ohm	2X	0.25W, MF		
C...52	59.34.4151	150 pF	5X	50V Cer		IC...6	50.09.0107	RC 4559	Dual Op. Amp.	Ra	R...19	57.11.3222	2.2 kOhm	2X	0.25W, MF		R...142	57.11.3332	3.3 kOhm	2X	0.25W, MF		
C...53	59.06.0102	1 nF	10X	50V PETF		IC...7	50.09.0107	RC 4559	Dual Op. Amp.	Ra	R...20			not used		R...143	57.11.3332	3.3 kOhm	2X	0.25W, MF			
C...54	59.05.2102	1 nF	2.5X	50V PP		IC...8	50.07.0024	MC 14052	CMOS Analog Switch	Not	R...21	57.11.3222	2.2 kOhm	2X	0.25W, MF		R...144	57.11.3332	3.3 kOhm	2X	0.25W, MF		
C...55	59.34.4680	68 pF	10X	50V Cer		IC...9	50.09.0107	RC 4559	Dual Op. Amp.	Ra	R...22			not used		R...145	57.11.3332	3.3 kOhm	2X	0.25W, MF			
C...56	59.06.0472	47 nF	10X	50V PETF		IC...10	50.09.0107	RC 4559	Dual Op. Amp.	Ra	R...23			not used		R...146	57.11.3471	470 Ohm	2X	0.25W, MF			
C...57	59.06.0103	10 nF	10X	50V PETF		IC...11	50.07.0026	AD 7528JN	Dual B-bit D/A Converter	ADI	R...24	57.11.3433	43 kOhm	2X	0.25W, MF		R...147	57.11.3220	22 Ohm	2X	0.25W, MF		
C...58	59.06.0103	10 nF	10X	50V PETF		IC...12	50.07.0026	AD 7528JN	Dual B-bit D/A Converter	ADI	R...25	57.11.3392	3.9 kOhm	2X	0.25W								

AUDIO ELECTRONICS BOARD 2/2 VUK 1.727.462.83

IND.	POS.NO.	PART NO.	VALUE	SPECIFICATIONS / EQUIVALENT	MANUF.	IND.	POS.NO.	PART NO.	VALUE	SPECIFICATIONS / EQUIVALENT	MANUF.
R...	218	57.11.5155	1.5 MOhm	5%, 0.25W, MF		XIC..	11	53.03.0165	20-Pole	IC Socket	
R...	219	57.11.3104	100 kOhm	2%, 0.25W, MF, with socket		XIC..	12	53.03.0168	16-Pole	IC Socket	
R...	220	57.11.3103	10 kOhm	2%, 0.25W, MF		XIC..	13	53.03.0166	8-Pole	IC Socket	
R...	221			not used		XIC..	14	53.03.0166	8-Pole	IC Socket	
R...	222	57.11.3822	8.2 kOhm	2%, 0.25W, MF		XIC..	15	53.03.0166	8-Pole	IC Socket	
R...	223	57.11.3473	47 kOhm	2%, 0.25W, MF		XIC..	16	53.03.0168	16-Pole	IC Socket	
R...	224	57.11.3682	6.8 kOhm	2%, 0.25W, MF		XIC..	17	53.03.0168	16-Pole	IC Socket	
R...	225	57.11.3393	39 kOhm	2%, 0.25W, MF		XIC..	18	53.03.0168	16-Pole	IC Socket	
R...	226	57.11.3392	3.9 kOhm	2%, 0.25W, MF		XIC..	19	53.03.0166	8-Pole	IC Socket	
R...	227	57.11.3563	56 kOhm	2%, 0.25W, MF		XIC..	20	53.03.0166	8-Pole	IC Socket	
R...	228	57.11.3333	33 kOhm	2%, 0.25W, MF		XIC..	21	53.03.0166	8-Pole	IC Socket	
R...	229	57.11.3562	5.6 kOhm	2%, 0.25W, MF		XIC..	22	53.03.0166	8-Pole	IC Socket	
R...	230	57.11.3683	68 kOhm	2%, 0.25W, MF		XIC..	23	53.03.0168	20-Pole	IC Socket	
R...	231	57.11.3562	5.6 kOhm	2%, 0.25W, MF		XIC..	24	53.03.0166	8-Pole	IC Socket	
R...	232	57.11.3333	33 kOhm	2%, 0.25W, MF		XIC..	25	53.03.0166	8-Pole	IC Socket	
R...	233	57.11.3103	10 kOhm	2%, 0.25W, MF		XIC..	26	53.03.0168	16-Pole	IC Socket	
R...	234	57.11.3271	270 Ohm	2 X 0.25W, MF		XIC..	27	53.03.0166	8-Pole	IC Socket	
R...	235	57.11.3273	27 kOhm	2%, 0.25W, MF							
R...	236	57.11.3152	1.5 kOhm	2%, 0.25W, MF							
R...	237	57.11.3331	330 Ohm	2%, 0.25W, MF							
R...	238	57.11.3103	10 kOhm	2%, 0.25W, MF							
R...	239	57.11.3103	10 kOhm	2%, 0.25W, MF							
R...	240	57.11.3102	1 kOhm	2%, 0.25W, MF							
R...	241			not used							
R...	242	57.11.3472	4.7 kOhm	2%, 0.25W, MF							
R...	243	57.11.3473	47 kOhm	2%, 0.25W, MF							
R...	244	57.11.3102	1 kOhm	2%, 0.25W, MF							
R...	245	57.11.3222	2.2 kOhm	2%, 0.25W, MF							
R...	246	58.01.8502	5 kOhm	10%, 0.5 W, PMG							
R...	247	57.11.3621	820 Ohm	2%, 0.25W, MF							
R...	248	57.11.3392	3.9 kOhm	2%, 0.25W, MF							
R...	249			not used							
R...	250	57.11.3153	15 kOhm	2%, 0.25W, MF							
R...	251	57.11.3473	47 kOhm	2%, 0.25W, MF							
R...	252	57.11.3472	4.7 kOhm	2%, 0.25W, MF							
R...	253	57.11.3472	4.7 kOhm	2%, 0.25W, MF							
R...	254	57.11.3331	330 Ohm	2%, 0.25W, MF							

Car = Ceramic EL = Electrolytic PEP = Polyester
PP = Polypropylen MF = Metal Film SI = Silicon

MANUFACTURER: ADI = Analog Devices Inc. Mot = Motorola
NS = National Semiconductors Ra = Raytheon
Sig = Signetix St = Studer

DRIG 89/07/03

S T U D E R (00) 89/07/03 GP AUDIO ELECTRONICS BOARD 2/2VUK PL 1.727.462.83 PAGE 13 S T U D E R (00) 89/07/03 GP AUDIO ELECTRONICS BOARD 2/2VUK PL 1.727.462.83 PAGE 16

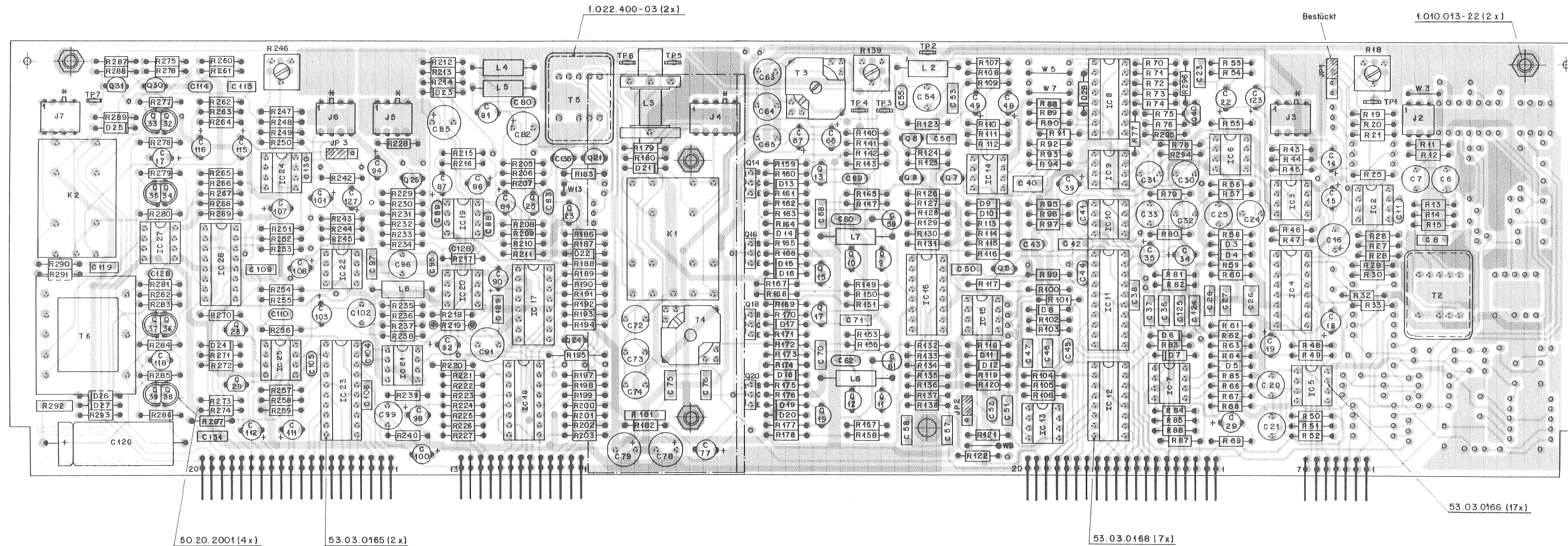
IND.	POS.NO.	PART NO.	VALUE	SPECIFICATIONS / EQUIVALENT	MANUF.
R...	255	57.11.3102	1 kOhm	2%, 0.25W, MF	
R...	256	57.11.3273	27 kOhm	2%, 0.25W, MF	
R...	257	57.11.3102	1 kOhm	2%, 0.25W, MF	
R...	258	57.11.3471	470 Ohm	2%, 0.25W, MF	
R...	259	57.11.3103	10 kOhm	2%, 0.25W, MF	
R...	260	57.11.3221	220 Ohm	2%, 0.25W, MF	
R...	261	57.11.3122	1.2 kOhm	2%, 0.25W, MF	
R...	262	57.11.3471	470 Ohm	2%, 0.25W, MF	
R...	263	57.11.3223	22 kOhm	2%, 0.25W, MF	
R...	264	57.11.3222	2.2 kOhm	2%, 0.25W, MF	
R...	265	57.11.3473	47 kOhm	2%, 0.25W, MF	
R...	266	57.11.3103	10 kOhm	2%, 0.25W, MF	
R...	267	57.11.3682	6.8 kOhm	2%, 0.25W, MF	
R...	268	57.11.3682	6.8 kOhm	2%, 0.25W, MF	
R...	269	57.11.3103	10 kOhm	2%, 0.25W, MF	
R...	270	57.11.3472	4.7 kOhm	2%, 0.25W, MF	
R...	271	57.11.3122	1.2 kOhm	2%, 0.25W, MF	
R...	272	57.11.3223	22 kOhm	2%, 0.25W, MF	
R...	273	57.11.3223	22 kOhm	2%, 0.25W, MF	
R...	274	57.11.3473	47 kOhm	2%, 0.25W, MF	
R...	275	57.11.3223	22 kOhm	2%, 0.25W, MF	
R...	276	57.11.3103	10 kOhm	2%, 0.25W, MF	
R...	277	57.11.3339	3.3 Ohm	2%, 0.25W, MF	
R...	278	57.11.3103	10 kOhm	2%, 0.25W, MF	
R...	279	57.11.3103	10 kOhm	2%, 0.25W, MF	
R...	280	57.11.3339	3.3 Ohm	2%, 0.25W, MF	
R...	281	57.11.3222	2.2 kOhm	2%, 0.25W, MF	
R...	282	57.11.3222	2.2 kOhm	2%, 0.25W, MF	
R...	283	57.11.3339	3.3 Ohm	2%, 0.25W, MF	
R...	284	57.11.3103	10 kOhm	2%, 0.25W, MF	
R...	285	57.11.3103	10 kOhm	2%, 0.25W, MF	
R...	286	57.11.3339	3.3 Ohm	2%, 0.25W, MF	
R...	287	57.11.3472	4.7 kOhm	2%, 0.25W, MF	
R...	288	57.11.3103	10 kOhm	2%, 0.25W, MF	
R...	289	57.11.3471	470 Ohm	2%, 0.25W, MF	
R...	290	57.11.3391	390 Ohm	2%, 0.25W, MF	
R...	291	57.11.3152	1.5 kOhm	2%, 0.25W, MF	

S T U D E R (00) 89/07/03 GP AUDIO ELECTRONICS BOARD 2/2VUK PL 1.727.462.83 PAGE 14

IND.	POS.NO.	PART NO.	VALUE	SPECIFICATIONS / EQUIVALENT	MANUF.
R...	292	57.92.1151	18 Ohm	150mA, PTC	
R...	293	57.11.3180	18 Ohm	2%, 0.25W, MF	
R...	294	57.11.3470	47 Ohm	2%, 0.25W, MF	
R...	295	57.11.3223	22 kOhm	2%, 0.25W, MF	
R...	296	57.11.3105	1 MOhm	2%, 0.25W, MF	
R...	297	57.11.3472	4.7 kOhm	2%, 0.25W, MF	
T....	2	1.022.451.00	1:0.62	Line Input Trafo	St
T....	3	1.022.271.00		Erase Trafo	St
T....	4	1.022.272.00		Bias Trafo	St
T....	5	1.022.402.00	1:10	Sync Trafo	St
T....	6	1.022.355.00		Line Output Trafo	St
TP...	1	54.02.0320		Plug 2.8*0.8	AMP
TP...	2	54.02.0320		Plug 2.8*0.8	AMP
TP...	3	54.02.0320		Plug 2.8*0.8	AMP
TP...	4	54.02.0320		Plug 2.8*0.8	AMP
TP...	5	54.02.0320		Plug 2.8*0.8	AMP
TP...	6	54.02.0320		Plug 2.8*0.8	AMP
TP...	7	54.02.0320		Plug 2.8*0.8	AMP
W....	3	64.01.0106		Wire Bridge	
W....	4			not used	
W....	5	64.01.0106		Wire Bridge	
W....	6			not used	
W....	7	64.01.0106		Wire Bridge	
W....	8	64.01.0106		Wire Bridge	
XIC..	2	53.03.0166	8-Pole	IC Socket	
XIC..	3	53.03.0168	16-Pole	IC Socket	
XIC..	4	53.03.0166	8-Pole	IC Socket	
XIC..	5	53.03.0166	8-Pole	IC Socket	
XIC..	6	53.03.0166	8-Pole	IC Socket	
XIC..	7	53.03.0166	8-Pole	IC Socket	
XIC..	8	53.03.0168	16-Pole	IC Socket	
XIC..	9	53.03.0166	8-Pole	IC Socket	
XIC..	10	53.03.0166	8-Pole	IC Socket	

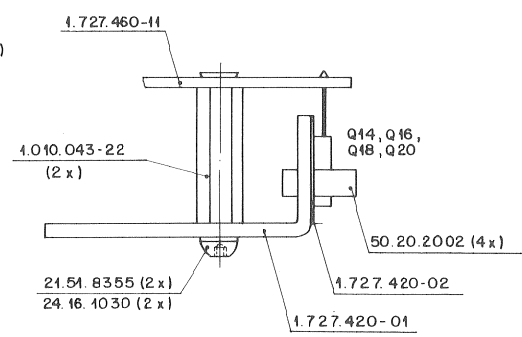
S T U D E R (00) 89/07/03 GP AUDIO ELECTRONICS BOARD 2/2VUK PL 1.727.462.83 PAGE 15

AUDIO ELECTRONICS BOARD 2/2 VUK 1.727.462.84
 -AUDIO ELECTRONICS BOARD 2/2 VUK,HS 1.727.467.83



- R18 = INPUT LEVEL ADJUSTMENT
- R139 = ERASE VOLTAGE ADJUSTMENT
- R246 = OUTPUT LEVEL ADJUSTMENT
- L3 = BIAS TRAP
- T3 = ERASE HEAD CIRCUIT
- JP1 INPUT LEVEL SENSITIVITY
- JP2 HX PRO: A = ON, B = OFF
- JP3 OUTPUT LEVEL SENSITIVITY
- TP1 RECORD AMPLIFIER SIGNAL (0.775 V = 0 VU)
- TP2 0.0 V
- TP3 VOLTAGE ON ERASE HEAD
- TP4 PRIMARY CURRENT ON ERASE TRANSFORMER
- TP5 BIAS CURRENT ON L3
- TP6 REJECTOR FILTER ADJUSTMENT
- TP7 VU METER SIGNAL (0.775 V = 0 VU)

FACTORY STANDARD SETTING



R219 auf Sockel 53.03.0228 (2x)

* Codierung: Schaltdraht 64.01.0108 ϕ 0.8 x 8 mm
 (muss 1mm vorstehen)

Schilder 1.727.462-10 / 43.01.0108
 aufgeklebt nach Fabrikationsmuster.

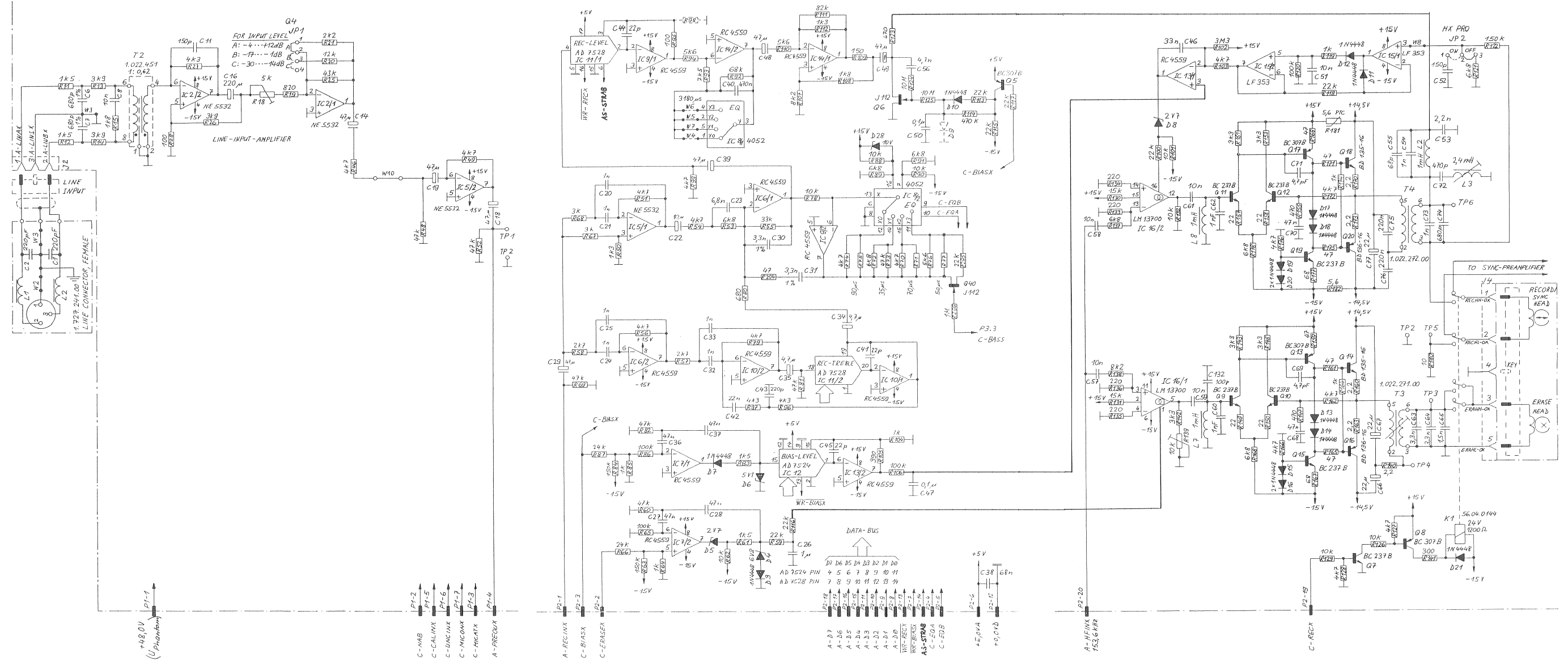
STUDER A807 MKII

AUDIO ELECTRONICS BOARD 2/2 VUK 1.727.462.84

IND.	POS.NO.	PART NO.	VALUE	SPECIFICATIONS / EQUIVALENT	MANUF.	IND.	POS.NO.	PART NO.	VALUE	SPECIFICATIONS / EQUIVALENT	MANUF.	IND.	POS.NO.	PART NO.	VALUE	SPECIFICATIONS / EQUIVALENT	MANUF.	IND.	POS.NO.	PART NO.	VALUE	SPECIFICATIONS / EQUIVALENT	MANUF.
C....6	59.05.1681	680 pF	1X	50V PP		C...124	59.06.0683	68 nF	10X	50V PETF		Q....8	50.03.0515	BC307B	BC557B, BC560B	PNP		R...101	57.11.3103	10 kOhm	2X	0.25W, MF	
C....7	59.05.1681	680 pF	1X	50V PP		C...125	59.06.0683	68 nF	10X	50V PETF		Q....9	50.03.0436	BC237B	BC547B, BC550B	NPN		R...102	57.11.3355	3.3 MOhm	2X	0.25W, MF	
C....8	59.06.0103	10 nF	10X	50V PETF		C...126	59.34.4151	150 pF	10X	50V Cer		Q...10	50.03.0436	BC237B	BC547B, BC550B	NPN		R...103	57.11.3472	4.7 kOhm	2X	0.25W, MF	
C...11	59.34.4151	150 pF	10X	50V Cer		C...127	59.22.8479	4.7 uF	-20X	35V EL		Q...11	50.03.0436	BC237B	BC547B, BC550B	NPN		R...104	57.11.3102	1 kOhm	2X	0.25W, MF	
C...14	59.22.3470	47 uF	-20X	10V EL		C...128	59.34.4680	68 pF	10X	50V Cer		Q...12	50.03.0436	BC237B	BC547B, BC550B	NPN		R...105	57.11.3391	390 Ohm	2X	0.25W, MF	
C...15	59.22.3470	47 uF	-20X	10V EL		C...129	59.06.5334	330 nF	5X	50V PETF		Q...13	50.03.0515	BC307B	BC557B, BC560B	PNP		R...106	57.11.3104	100 kOhm	2X	0.25W, MF	
C...16	59.22.2221	220 uF	-20X	6.3V EL		C...130	59.34.4151	150 pF	10X	50V Cer		Q...14	50.03.0495	BD135-16		NPN		R...107	57.11.3822	8.2 kOhm	2X	0.25W, MF	
C...18	59.22.3470	47 uF	-20X	10V EL		C...131	59.06.0683	68 nF	10X	50V PETF		Q...15	50.03.0436	BC237B	BC547B, BC550B	NPN		R...108	57.11.3182	1.8 kOhm	2X	0.25W, MF	
C...19	59.22.3470	47 uF	-20X	10V EL		C...135	59.22.3101	100 uF	-20X	10V EL		Q...16	50.03.0510	BD136-16		PNP		R...109	57.11.3151	150 Ohm	2X	0.25W, MF	
C...20	59.05.2102	1 nF	2.5X	50V PP		D...3	50.04.0125	LN444B	50V SI		Q...17	50.03.0515	BC307B	BC557B, BC560B	PNP		R...110	57.11.3362	5.6 kOhm	2X	0.25W, MF		
C...21	59.05.2102	1 nF	2.5X	50V PP		D...4	50.04.1102	6.8 V	5X	0.4W Zener		Q...18	50.03.0495	BD135-16		NPN		R...111	57.11.3823	82 kOhm	2X	0.25W, MF	
C...22	59.22.6100	10 uF	-20X	35V EL		D...5	50.04.1106	2.7 V	5X	0.4W Zener		Q...19	50.03.0436	BC237B	BC547B, BC550B	NPN		R...112	57.11.3132	1.3 kOhm	2X	0.25W, MF	
C...23	59.06.5683	6.8 nF	5X	50V PETF		D...6	50.04.1112	5.1 V	5X	0.4W Zener		Q...20	50.03.0510	BD136-16		PNP		R...113	57.11.3223	22 kOhm	2X	0.25W, MF	
C...24	59.05.2102	1 nF	2.5X	50V PP		D...7	50.04.0125	LN444B	50V SI		Q...21	50.03.0350	J112		FET		R...114	57.11.3474	470 kOhm	2X	0.25W, MF		
C...25	59.05.2102	1 nF	2.5X	50V PP		D...8	50.04.0125	LN444B	50V SI		Q...22	50.03.0515	BC307B	BC557B, BC560B	PNP		R...115	57.11.3223	22 kOhm	2X	0.25W, MF		
C...26	59.06.0105	1 uF	10X	50V PETF		D...9	50.04.1106	2.7 V	5X	0.4W Zener		Q...23	50.03.0329	BD146		FET		R...116	57.11.3223	22 kOhm	2X	0.25W, MF	
C...27	59.06.0103	10 nF	10X	50V PETF		D...10	50.04.0125	LN444B	50V SI		Q...24	50.03.0625	BC327		PNP		R...117	57.11.3223	22 kOhm	2X	0.25W, MF		
C...28	59.06.0473	47 nF	10X	50V PETF		D...11	50.04.0125	LN444B	50V SI		Q...25	50.03.0625	BC327		PNP		R...118	57.11.3223	22 kOhm	2X	0.25W, MF		
C...29	59.22.3470	47 uF	-20X	10V EL		D...12	50.04.0125	LN444B	50V SI		Q...26	50.03.0625	BC327		PNP		R...119	57.11.3102	1 kOhm	2X	0.25W, MF		
C...30	59.05.1332	3.3 nF	1X	50V PP		D...13	50.04.0125	LN444B	50V SI		Q...27	50.03.0515	BC307B	BC557B, BC560B	NPN		R...120	57.11.3104	100 kOhm	2X	0.25W, MF		
C...31	59.05.1332	3.3 nF	1X	50V PP		D...14	50.04.0125	LN444B	50V SI		Q...28	50.03.0515	BC307B	BC557B, BC560B	NPN		R...121	57.11.3682	6.8 kOhm	2X	0.25W, MF		
C...32	59.05.2102	1 nF	2.5X	50V PP		D...15	50.04.0125	LN444B	50V SI		Q...29	50.03.0519	BC307B	BC557B, BC560B	NPN		R...122	57.11.3154	150 kOhm	2X	0.25W, MF		
C...33	59.05.2102	1 nF	2.5X	50V PP		D...16	50.04.0125	LN444B	50V SI		Q...30	50.03.0436	BC237B	BC547B, BC550B	NPN		R...123	57.11.3471	470 Ohm	2X	0.25W, MF		
C...34	59.22.8479	4.7 uF	-20X	35V EL		D...17	50.04.0125	LN444B	50V SI		Q...31	50.03.0515	BC307B	BC557B, BC560B	NPN		R...124	57.11.3104	100 kOhm	2X	0.25W, MF		
C...35	59.22.8479	4.7 uF	-20X	35V EL		D...18	50.04.0125	LN444B	50V SI		Q...32	50.03.0516	BC337	matched with Q33, NPN		R...125	57.11.5106	10 MOhm	5X	0.25W, MF			
C...36	59.06.0473	47 nF	10X	50V PETF		D...19	50.04.0125	LN444B	50V SI		Q...33	50.03.0516	BC337	matched with Q32, NPN		R...126	57.11.3103	10 kOhm	2X	0.25W, MF			
C...37	59.06.0473	47 nF	10X	50V PETF		D...20	50.04.0125	LN444B	50V SI		Q...34	50.03.0625	BC327	matched with Q35, PNP		R...127	57.11.3472	4.7 kOhm	2X	0.25W, MF			
C...38	59.06.0683	68 nF	10X	50V PETF		D...21	50.04.0125	LN444B	50V SI		Q...35	50.03.0625	BC327	matched with Q34, PNP		R...128	57.11.3472	4.7 kOhm	2X	0.25W, MF			
C...39	59.22.3470	47 uF	-20X	10V EL		D...22	50.04.1121	24 V	5X	0.4W Zener		Q...36	50.03.0516	BC337	matched with Q37, NPN		R...129	57.11.3103	10 kOhm	2X	0.25W, MF		
C...40	59.06.5474	470 nF	5X	50V PETF		D...23	50.04.0125	LN444B	50V SI		Q...37	50.03.0516	BC337	matched with Q36, NPN		R...130	57.11.3153	15 kOhm	2X	0.25W, MF			
C...41	59.06.5474	470 nF	5X	50V PETF		D...24	50.04.0125	LN444B	50V SI		Q...38	50.03.0625	BC327	matched with Q39, PNP		R...131	57.11.3103	10 kOhm	2X	0.25W, MF			
C...42	59.06.0223	22 nF	10X	50V PETF		D...25	50.04.0125	LN444B	50V SI		Q...39	50.03.0625	BC327	matched with Q38, PNP		R...132	57.11.3103	10 kOhm	2X	0.25W, MF			
C...43	59.34.4221	220 pF	5X	50V Cer		D...26	50.04.0125	LN444B	50V SI		Q...40	50.03.0350	J112		FET		R...133	57.11.3221	220 Ohm	2X	0.25W, MF		
C...44	59.34.2220	22 pF	10X	50V Cer		D...27	50.04.0125	LN444B	50V SI		R...11	57.11.3152	1.5 kOhm	2X	0.25W, MF		R...134	57.11.3221	220 Ohm	2X	0.25W, MF		
C...45	59.34.2220	22 pF	10X	50V Cer		D...28	50.04.1114	10 V	5X	0.4W Zener		R...12	57.11.3152	1.5 kOhm	2X	0.25W, MF		R...135	57.11.3221	220 Ohm	2X	0.25W, MF	
C...46	59.06.0473	47 nF	10X	50V PETF		S T U D E R (01) 90/09/25 GP AUDIO ELECTRONICS BOARD 2/2VUK PL 1.727.462.84 PAGE 1	S T U D E R (01) 90/09/25 GP AUDIO ELECTRONICS BOARD 2/2VUK PL 1.727.462.84 PAGE 4	S T U D E R (01) 90/09/25 GP AUDIO ELECTRONICS BOARD 2/2VUK PL 1.727.462.84 PAGE 7	S T U D E R (01) 90/09/25 GP AUDIO ELECTRONICS BOARD 2/2VUK PL 1.727.462.84 PAGE 10														

IND.	POS.NO.	PART NO.	VALUE	SPECIFICATIONS / EQUIVALENT	MANUF.	IND.	POS.NO.	PART NO.	VALUE	SPECIFICATIONS / EQUIVALENT	MANUF.	IND.	POS.NO.	PART NO.	VALUE	SPECIFICATIONS / EQUIVALENT	MANUF.	IND.	POS.NO.	PART NO.	VALUE	SPECIFICATIONS / EQUIVALENT	MANUF.
C...48	59.22.3470	47 uF	-20X	10V EL		IC...2	50.09.0105	NE 5532	Dual Op. Amp.	Sig	R...15	57.11.3182	1.8 kOhm	2X	0.25W, MF		R...138	57.11.3472	4.7 kOhm	2X	0.25W, MF		
C...49	59.22.3470	47 uF	-20X	10V EL		IC...3	50.09.0105	NE 5532	Dual Op. Amp.	Sig	R...16	58.01.8502	5 kOhm	10X	0.5 W, PMG		R...139	58.01.8502	5 kOhm	10X	0.5 W, PMG		
C...50	59.06.0104	100 nF	10X	50V PETF		IC...4	50.07.0023	MC 14053	CMOS Analog Switch	Hot	R...17	57.11.3821	820 Ohm	2X	0.25W, MF		R...140	57.11.3229	2.2 Ohm	2X	0.25W, MF		
C...51	59.06.0103	10 nF	10X	50V PETF		IC...5	50.09.0105	NE 5532	Dual Op. Amp.	Sig	R...20	57.11.3123	12 kOhm	2X	0.25W, MF		R...141	57.11.3102	300 Ohm	2X	0.25W, MF		
C...52	59.34.4151	150 pF	5X	50V Cer		IC...6	50.09.0107	RC 4559	Dual Op. Amp.	Ra	R...21	57.11.3222	2.2 kOhm	2X	0.25W, MF		R...142	57.11.3152	1.5 kOhm	2X	0.25W, MF		
C...53	59.06.0102	1 nF	10X	50V PETF		IC...7	50.09.0107	RC 4559	Dual Op. Amp.	Ra	R...22	57.11.3222	2.2 kOhm	2X	0.25W, MF		R...143	57.11.3332	3.3 kOhm	2X	0.25W, MF		
C...54	59.06.0473	47 nF	10X	50V PETF		IC...8	50.07.0024	AD 7528JN	CMOS Analog Switch	Hot	R...23	57.11.3102	10 kOhm	2X	0.25W, MF		R...144	57.11.3220	2.2 Ohm	2X	0.25W, MF		
C...55	59.34.4680	68 pF	10X	50V Cer		IC...9	50.09.0107	RC 4559	Dual Op. Amp.	Ra	R...24	57.11.3433	43 kOhm	2X	0.25W, MF		R...145	57.11.3471	470 Ohm	2X	0.25W, MF		
C...56	59.06.0472	4.7 nF	10X	50V PETF		IC...10	50.09.0107	RC 4559	Dual Op. Amp.	Ra	R...25	57.11.3392	3.9 kOhm	2X	0.25W, MF		R...146	57.11.3220	22 Ohm	2X	0.25W, MF		
C...57	59.06.0103	10 nF	10X	50V PETF		IC...11	50.07.0026	AD 7528JN	Dual 8-bit D/A Converter	ADI	R...26	57.11.3392	3.9 kOhm	2X	0.25W, MF		R...147	57.11.3220	22 Ohm	2X	0.25W, MF		
C...58	59.06.0103	10 nF	10X	50V PETF		IC...12	50.07.0026	AD 7528JN	8-bit D/A Converter	ADI	R...27	57.11.3432	4.3 kOhm	2X	0.25W, MF		R...148	57.11.3332	3.3 kOhm	2X	0.25W, MF		
C...59	59.12.9102	1 nF	1X	50V PP		IC...13	50.09.0107	RC 4559	Dual Op. Amp.	Ra	R...28	57.11.3101	100 Ohm	2X	0.25W, MF		R...149	57.11.3332</					

AUDIO ELECTRONICS BOARD 2/2 1.727.463.82

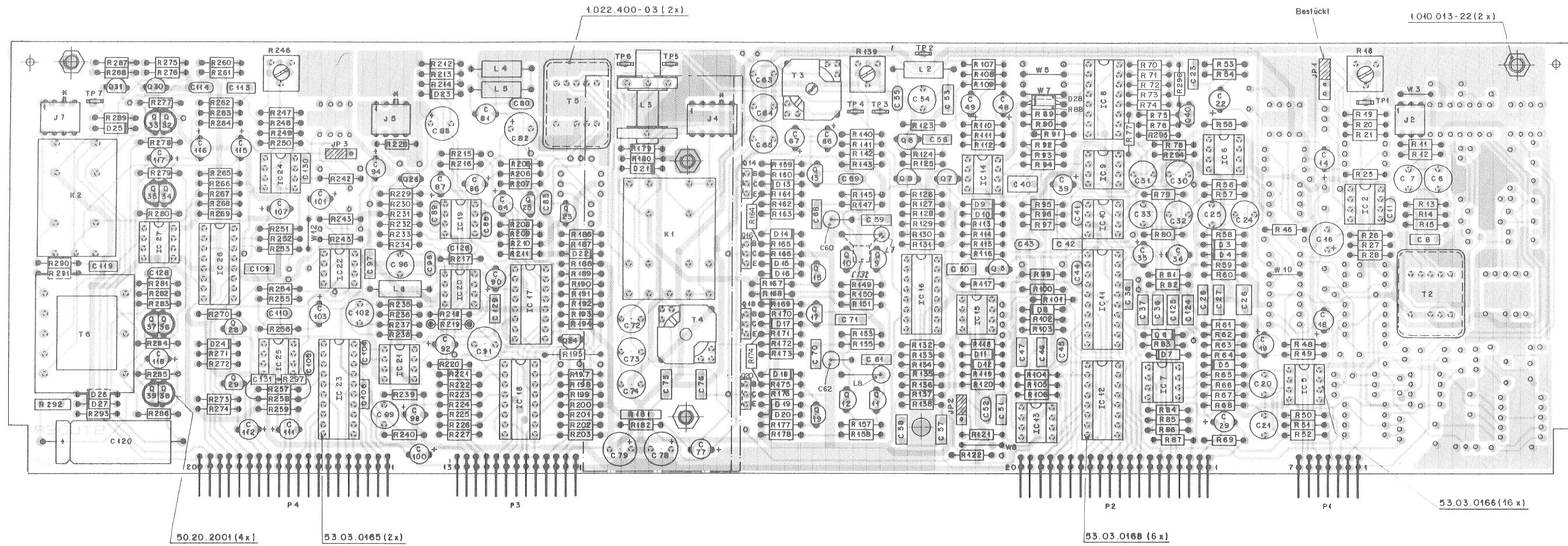


① 30.8.88 GP	① 6.12.88 GP	② 1.3.89 GP	○ . .	○ . .
	A 727 GR41/42			PAGE 1 OF 6
STUDER	AUDIO ELECTRONICS BOARD 2/2	SC	1.727.463.82	

① 30.8.88 GP	① 6.12.88 GP	② 1.3.89 GP	○ . .	○ . .
	A 727 GR41/42			PAGE 2 OF 6
STUDER	AUDIO ELECTRONICS BOARD 2/2	SC	1.727.463.82	

① 30.8.88 GP	① 6.12.88 GP	② 1.3.89 GP	○ . .	○ . .
	A 727 GR41/42			PAGE 3 OF 6
STUDER	AUDIO ELECTRONICS BOARD 2/2	SC	1.727.463.82	

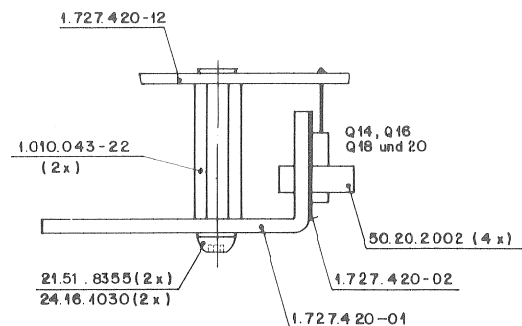
AUDIO ELECTRONICS BOARD 2/2 1.727.463.82



- R18 = INPUT LEVEL ADJUSTMENT
- R139 = ERASE VOLTAGE ADJUSTMENT
- R246 = OUTPUT LEVEL ADJUSTMENT
- L3 = BIAS TRAP
- T3 = ERASE HEAD CIRCUIT
- JP1 INPUT LEVEL SENSITIVITY
- JP2 HK PRO: A = ON, B = OFF
- JP3 OUTPUT LEVEL SENSITIVITY
- TP1 RECORD AMPLIFIER SIGNAL (0.775 V = 0 VU)
- TP2 0.0 V
- TP3 VOLTAGE ON ERASE HEAD
- TP4 PRIMARY CURRENT ON ERASE TRANSFORMER
- TP5 BIAS CURRENT ON 10 Ω
- TP6 REFLECTOR FILTER ADJUSTMENT
- TP7 VU METER SIGNAL (0.775 V = 0 VU)

FACTORY STANDARD SETTING

R219 auf Sockel 53.03.0228 (2x)



AUDIO ELECTRONICS BOARD 2/2 1.727.463.82

IND.	POS.NO.	PART NO.	VALUE	SPECIFICATIONS / EQUIVALENT	MANUF.	IND.	POS.NO.	PART NO.	VALUE	SPECIFICATIONS / EQUIVALENT	MANUF.	IND.	POS.NO.	PART NO.	VALUE	SPECIFICATIONS / EQUIVALENT	MANUF.	IND.	POS.NO.	PART NO.	VALUE	SPECIFICATIONS / EQUIVALENT	MANUF.	
C....6	59.05.1681	680 pF	1X	50V PP		C...128	59.34.4680	68 pF	10X	50V Cer		Q...16	50.03.0510	BD136-16		R...120	57.11.3104	100 kOhm	2X	0.25W	MF			
C....7	59.05.1681	680 pF	1X	50V PP		C...129	59.06.5334	300 nF	5X	50V PETP		Q...17	50.03.0515	BC307B	BC557B, BC560B	NFN	R...121	57.11.3682	6.8 kOhm	2X	0.25W	MF		
C....10	59.05.0103	10 nF	10X	50V PETP		C...130	59.34.4151	150 pF	10X	50V Cer		Q...18	50.03.0895	BD135-16		R...122	57.11.3154	150 kOhm	2X	0.25W	MF			
C....11	59.34.4151	150 pF	10X	50V Cer		C...131	59.06.0683	68 nF	10X	50V PETP		Q...19	50.03.0436	BC237E	BC547B, BC550B	NFN	R...123	57.11.3471	470 Ohm	2X	0.25W	MF		
C....14	59.22.3470	47 uF	-20X	10V EL		C...132	59.34.4101	100 pF	5X	50V Cer		Q...20	50.03.0510	BD136-16		R...124	57.11.5106	10 kOhm	2X	0.25W	MF			
C....16	59.22.2221	220 uF	-20X	6.3V EL		(02)						Q...21			not used	R...125	57.11.5166	16 kOhm	2X	0.25W	MF			
C....18	59.22.3470	47 uF	-20X	10V EL		D....3	50.04.0125	1N4448	50V	SI		Q...22			not used	R...126	57.11.3103	10 kOhm	2X	0.25W	MF			
C....19	59.22.3470	47 uF	-20X	10V EL		D....4	50.04.1102	6.8 V	5X	0.4W Zener		Q...23	50.03.0515	BC307B	BC557B, BC560B	NFN	R...127	57.11.3472	4.7 kOhm	2X	0.25W	MF		
C....20	59.05.2102	1 nF	2.5X	50V PP		D....5	50.04.1106	2.7 V	5X	0.4W Zener		Q...24	50.03.0329	WPI46		PET	R...128	57.11.3472	4.7 kOhm	2X	0.25W	MF	Not	
C....21	59.05.2102	1 nF	2.5X	50V PP		D....6	50.04.1112	5 V	5X	0.4W Zener		Q...25	50.03.0625	BC327		FEP	R...129	57.11.3103	10 kOhm	2X	0.25W	MF		
C....22	59.22.6100	10 uF	-20X	35V EL		D....7	50.04.0125	1N4448	50V	SI		Q...26	50.03.0625	BC327		FEP	R...130	57.11.3153	15 kOhm	2X	0.25W	MF		
C....23	59.06.5682	6.8 nF	5X	50V PETP		D....8	50.04.1106	2.7 V	5X	0.4W Zener		Q...28	50.03.0340	BC337-25		NFN	R...131	57.11.3153	15 kOhm	2X	0.25W	MF		
C....24	59.05.2102	1 nF	2.5X	50V PP		D....9					not used	Q...29	50.03.0515	BC307B	BC557B, BC560B	NFN	R...132	57.11.3103	10 kOhm	2X	0.25W	MF		
C....25	59.05.2102	22 nF	2.5X	50V PP		D...10	50.04.0125	1N4448	50V	SI		Q...30	50.03.0436	BC237B	BC547B, BC550B	NFN	R...133	57.11.3221	220 Ohm	2X	0.25W	MF		
C....26	59.06.0105	1 uF	10X	50V PETP		D...11	50.04.0125	1N4448	50V	SI		Q...31	50.03.0515	BC307B	BC557B, BC560B	NFN	R...134	57.11.3221	220 Ohm	2X	0.25W	MF		
C....27	59.06.0473	47 uF	10X	50V PETP		D...12	50.04.0125	1N4448	50V	SI		Q...32	50.03.0516	BC337	matched with Q33, NFN		R...135	57.11.3221	220 Ohm	2X	0.25W	MF		
C....28	59.06.0473	47 uF	10X	50V PETP		D...13	50.04.0125	1N4448	50V	SI		Q...33	50.03.0516	BC337	matched with Q32, NFN		R...136	57.11.3221	220 Ohm	2X	0.25W	MF		
C....29	59.22.3470	47 uF	-20X	10V EL		D...14	50.04.0125	1N4448	50V	SI		Q...34	50.03.0625	BC327	matched with Q35, FEP		R...137	57.11.3682	6.8 kOhm	2X	0.25W	MF		
C....30	59.05.1332	3.3 nF	1X	50V PP		D...15	50.04.0125	1N4448	50V	SI		Q...35	50.03.0625	BC327	matched with Q34, FEP		R...138	57.11.3822	8.2 kOhm	2X	0.25W	MF		
C....31	59.05.1332	3.3 nF	1X	50V PP		D...16	50.04.0125	1N4448	50V	SI		Q...36	50.03.0516	BC337	matched with Q37, NFN		R...139	58.01.8103	10 kOhm	10X	0.5 W	PWG		
C....32	59.05.2102	1 nF	2.5X	50V PP		D...17	50.04.0125	1N4448	50V	SI		Q...37	50.03.0516	BC337	matched with Q36, NFN		R...140	57.11.3229	2.2 Ohm	2X	0.25W	MF		
C....33	59.05.2102	1 nF	2.5X	50V PP		D...18	50.04.0125	1N4448	50V	SI		Q...38	50.03.0625	BC327	matched with Q39, FEP		R...141	57.11.3301	300 Ohm	2X	0.25W	MF		
C....34	59.22.8479	4.7 uF	-20X	35V EL		D...19	50.04.0125	1N4448	50V	SI		Q...39	50.03.0625	BC327	matched with Q38, FEP		R...142	57.11.3332	3.3 kOhm	2X	0.25W	MF	Hot	
C....35	59.22.8479	4.7 uF	-20X	35V EL		D...20	50.04.0125	1N4448	50V	SI		Q...40	50.03.0350	1112		FET	R...143	57.11.3332	3.3 kOhm	2X	0.25W	MF		
C....36	59.06.0473	47 uF	10X	50V PETP		D...21	50.04.0125	1N4448	50V	SI		R...111	57.11.3152	1.5 kOhm	2X	0.25W	MF	R...144	57.11.3471	470 Ohm	2X	0.25W	MF	
C....37	59.06.0473	47 uF	10X	50V PETP		D...22	50.04.1121	24 V	5X	0.4W Zener		R...112	57.11.3152	1.5 kOhm	2X	0.25W	MF	R...145	57.11.3220	22 Ohm	2X	0.25W	MF	
C....38	59.06.0683	68 nF	10X	50V PETP		D...23	50.04.0125	1N4448	50V	SI		R...113	57.11.3392	3.9 kOhm	2X	0.25W	MF	R...150	57.11.3220	22 Ohm	2X	0.25W	MF	
C....39	59.22.3470	47 uF	-20X	10V EL		D...24	50.04.0125	1N4448	50V	SI		R...114	57.11.3392	3.9 kOhm	2X	0.25W	MF	R...151	57.11.3332	3.3 kOhm	2X	0.25W	MF	
C....40	59.06.5474	470 nF	5X	50V PETP		D...25	50.04.0125	1N4448	50V	SI		R...115	57.11.3182	1.8 kOhm	2X	0.25W	MF	R...153	57.11.3332	3.3 kOhm	2X	0.25W	MF	
C....41	59.34.2220	22 pF	10X	50V Cer		D...26	50.04.0125	1N4448	50V	SI		R...116	57.11.3182	1.8 kOhm	2X	0.25W	MF	R...154	57.11.3332	3.3 kOhm	2X	0.25W	MF	
C....42	59.34.4680	68 pF	10X	50V Cer		D...27	50.04.0125	1N4448	50V	SI		R...117	58.01.8502	5 kOhm	10X	0.5 W	PWG	R...155	57.11.3332	3.3 kOhm	2X	0.25W	MF	
C....43	59.34.4221	220 pF	5X	50V Cer		D...28	50.04.1114	10 V	5X	0.4W Zener		R...118	57.11.3821	820 Ohm	2X	0.25W	MF	R...157	57.11.3220	22 Ohm	2X	0.25W	MF	
C....44	59.34.2220	22 pF	10X	50V Cer		IC...2	50.09.0105	NE 5532	Dual Op. Amp.		Sig	R...119	57.11.3123	1.2 kOhm	2X	0.25W	MF	R...158	57.11.3220	22 Ohm	2X	0.25W	MF	
C....45	59.34.2220	22 pF	10X	50V Cer		IC...3	50.09.0105	NE 5532	Dual Op. Amp.		Sig	R...120	57.11.3222	2.2 kOhm	2X	0.25W	MF	R...159	57.11.3472	4.7 kOhm	2X	0.25W	MF	
C....46	59.06.0383	38 nF	10X	50V PETP		IC...4	50.09.0107	RC 4559	Dual Op. Amp.		Ra	R...121	57.11.3472	4.7 kOhm	2X	0.25W	MF	R...160	57.11.3229	2.2 Ohm	2X	0.25W	MF	
C....47	59.06.0104	100 nF	10X	50V PETP		IC...5	50.09.0107	RC 4559	Dual Op. Amp.		Ra	R...122	57.11.3392	3.9 kOhm	2X	0.25W	MF	R...161	57.11.3470	47 Ohm	2X	0.25W	MF	
C....48	59.22.3470	47 uF	-20X	10V EL		IC...7	50.09.0107	RC 4559	Dual Op. Amp.		Ra	R...123	57.11.3432	4.3 kOhm	2X	0.25W	MF	R...162	57.11.3472	4.7 kOhm	2X	0.25W	MF	

S T U D E R (02) 89/03/01 GP AUDIO ELECTRONICS BOARD 2/2 PL 1.727.463.82 PAGE 1 S T U D E R (02) 89/03/01 GP AUDIO ELECTRONICS BOARD 2/2 PL 1.727.463.82 PAGE 4 S T U D E R (02) 89/03/01 GP AUDIO ELECTRONICS BOARD 2/2 PL 1.727.463.82 PAGE 7 S T U D E R (02) 89/03/01 GP AUDIO ELECTRONICS BOARD 2/2 PL 1.727.463.82 PAGE 10

IND.	POS.NO.	PART NO.	VALUE	SPECIFICATIONS / EQUIVALENT	MANUF.	IND.	POS.NO.	PART NO.	VALUE	SPECIFICATIONS / EQUIVALENT	MANUF.	IND.	POS.NO.	PART NO.	VALUE	SPECIFICATIONS / EQUIVALENT	MANUF.	IND.	POS.NO.	PART NO.	VALUE	SPECIFICATIONS / EQUIVALENT	MANUF.
C....49	59.22.3470	47 uF	-20X	10V EL		IC...8	50.07.0024	MC 14052	CMOS Analog Switch		Not	R...28	57.11.3101	100 Ohm	2X	0.25W	MF	R...163	57.11.3229	2.2 Ohm	2X	0.25W	MF
C....50	59.06.0104	100 nF	10X	50V PETP		IC...9	50.09.0107	RC 4559	Dual Op. Amp.		Pa	R...46	57.11.3472	4.7 kOhm	2X	0.25W	MF	R...164	57.11.3102	1 kOhm	2X	0.25W	MF
C....51	59.06.0103	10 nF	10X	50V PETP		IC...10	50.09.0107	RC 4559	Dual Op. Amp.		Ra	R...48	57.11.3473	4.7 kOhm	2X	0.25W	MF	R...165	57.11.3470	47 Ohm	2X	0.25W	MF
C....52	59.34.4151	150 pF	5X	50V Cer		IC...11	50.07.0026	AD 7528JN	Dual 8-bit D/A Converter		ADI	R...49	57.11.3472	4.7 kOhm	2X	0.25W	MF	R...166	57.11.3472	4.7 kOhm	2X	0.25W	MF
C....53	59.06.0222	2.2 nF	10X	50V PETP		IC...12	50.07.0002	AD 7524JN	8-bit D/A Converter		ADI	R...50	57.11.3132	1.3 kOhm	2X	0.25W	MF	R...167	57.11.3680	68 Ohm	2X	0.25W	MF
C....54	59.05.2102	1 nF	2.5X	50V PP		IC...13	50.09.0107	RC 4559	Dual Op. Amp.		Ra	R...51	57.11.3472	4.7 kOhm	2X	0.25W	MF	R...168	57.11.3682	6.8 kOhm	2X	0.25W	MF
C....55	59.06.0473	47 uF	10X	50V PETP		IC...14	50.09.0107	RC 4559	Dual Op. Amp.		Ra	R...52	57.11.3472	4.7 kOhm	2X	0.25W	MF	R...169	57.11.3472	4.7 kOhm	2X	0.25W	MF
C....56	59.06.0472	4.7 nF	10X	50V PETP		IC...15	50.09.0101	LF 353	Dual Op. Amp.		NS	R...53	57.11.3682	6.8 kOhm	2X	0.25W	MF	R...170	57.11.3229	2.2 Ohm	2X	0.25W	MF
C....57	59.06.0103	10 nF	10X	50V PETP		IC...16	50.09.0112	LM 13700	Dual OTA		NS	R...54	57.11.3472	4.7 kOhm	2X	0.25W	MF	R...171	57.11.3470	47 Ohm	2X	0.25W	MF
C....58	59.06.0103	10 nF	10X	50V PETP		IC...17	50.07																

AUDIO ELECTRONICS BOARD 2/2 1.727.463.82

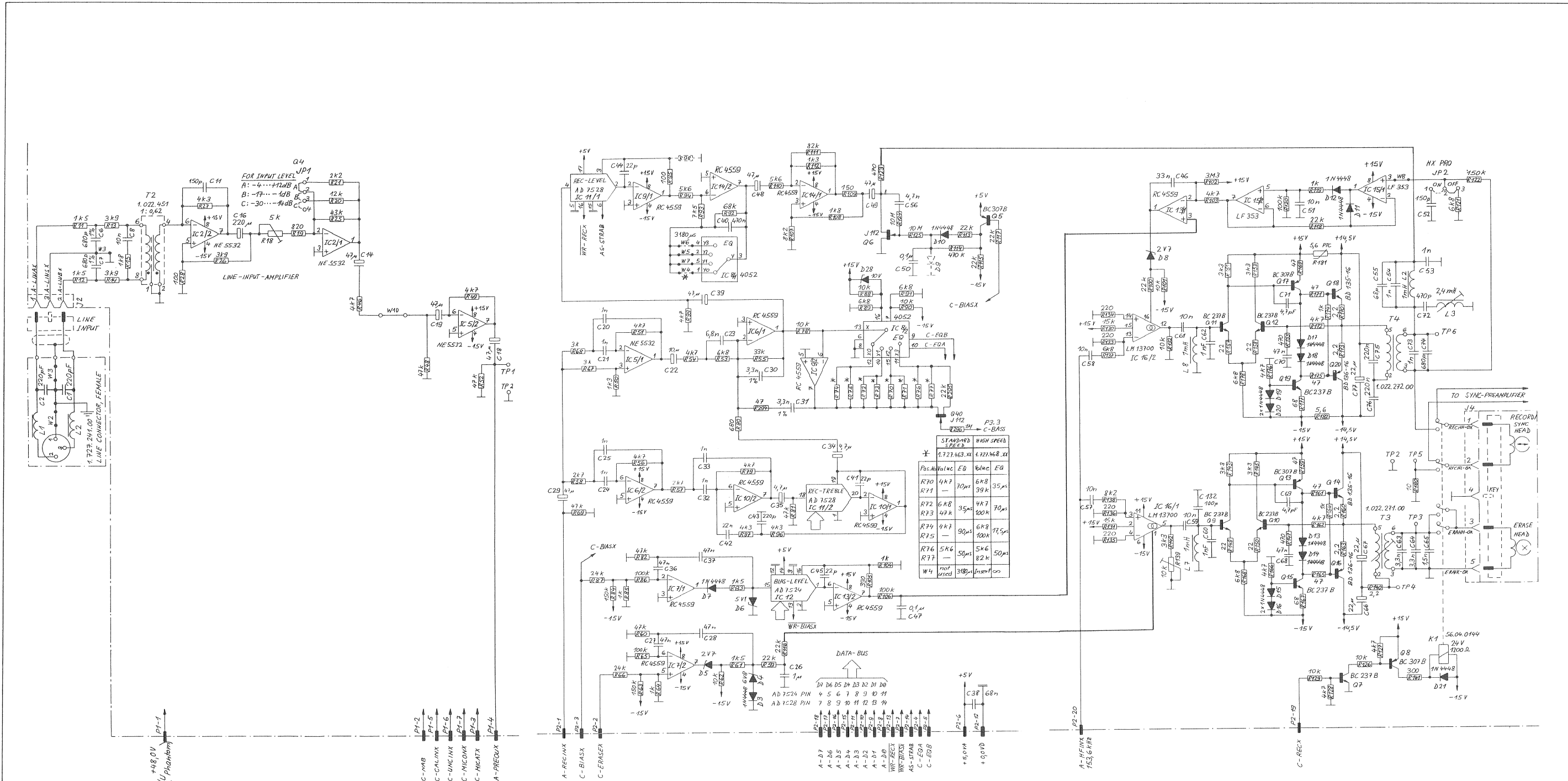
IND.	POS.NO.	PART NO.	VALUE	SPECIFICATIONS / EQUIVALENT	MANUF.	IND.	POS.NO.	PART NO.	VALUE	SPECIFICATIONS / EQUIVALENT	MANUF.
R...236		57.11.3152	1.5 kOhm	2%, 0.25W, MF						(01) Reduction of trebles for new reproduce head.	
R...237		57.11.3331	330 Ohm	2%, 0.25W, MF						(02) Resonance fine adjust.	
R...238		57.11.3103	10 kOhm	2%, 0.25W, MF						Car = Ceramic	EL = Electrolytic
R...239		57.11.3103	10 kOhm	2%, 0.25W, MF						PETP = Polyester	
R...240		57.11.3102	1 kOhm	2%, 0.25W, MF						FP = Polypropylen	MF = Metal Film
R...242		57.11.3472	4.7 kOhm	2%, 0.25W, MF						SI = Silicon	
R...243		57.11.3473	47 kOhm	2%, 0.25W, MF						MANUFACTURER: ADI = Analog Devices Inc.	Mo = Motorola
R...245		57.11.3222	2.2 kOhm	2%, 0.25W, MF						NS = National Semiconductors	Ra = Raytheon
R...246		58.01.8502	5 kOhm	10%, 0.5 W, PNG						Sig = Signetics	St = Studer
R...247		57.11.3821	820 Ohm	2%, 0.25W, MF							
R...248		57.11.3992	3.9 kOhm	2%, 0.25W, MF							
R...249				not used							
R...250		57.11.3153	15 kOhm	2%, 0.25W, MF							
R...251		57.11.3473	47 kOhm	2%, 0.25W, MF							
R...252		57.11.3472	4.7 kOhm	2%, 0.25W, MF							
R...253		57.11.3472	4.7 kOhm	2%, 0.25W, MF							
R...254		57.11.3331	330 Ohm	2%, 0.25W, MF							
R...255		57.11.3102	1 kOhm	2%, 0.25W, MF							
R...256		57.11.3273	27 kOhm	2%, 0.25W, MF							
R...257		57.11.3102	1 kOhm	2%, 0.25W, MF							
R...258		57.11.3471	470 Ohm	2%, 0.25W, MF							
R...259		57.11.3103	10 kOhm	2%, 0.25W, MF							
R...260		57.11.3221	220 Ohm	2%, 0.25W, MF							
R...261		57.11.3122	1.2 kOhm	2%, 0.25W, MF							
R...262		57.11.3471	470 Ohm	2%, 0.25W, MF							
R...263		57.11.3223	22 kOhm	2%, 0.25W, MF							
R...264		57.11.3222	2.2 kOhm	2%, 0.25W, MF							
R...265		57.11.3473	47 kOhm	2%, 0.25W, MF							
R...266		57.11.3103	10 kOhm	2%, 0.25W, MF							
R...267		57.11.3682	6.8 kOhm	2%, 0.25W, MF							
R...268		57.11.3682	6.8 kOhm	2%, 0.25W, MF							
R...269		57.11.3103	10 kOhm	2%, 0.25W, MF							
R...270		57.11.3472	4.7 kOhm	2%, 0.25W, MF							
R...271		57.11.3122	1.2 kOhm	2%, 0.25W, MF							
R...272		57.11.3223	22 kOhm	2%, 0.25W, MF							
R...273		57.11.3223	22 kOhm	2%, 0.25W, MF							
R...274		57.11.3473	47 kOhm	2%, 0.25W, MF							
S T U D E R (02) 89/03/01 GP AUDIO ELECTRONICS BOARD 2/2 PL 1.727.463.82 PAGE 13						S T U D E R (02) 89/03/01 GP AUDIO ELECTRONICS BOARD 2/2 PL 1.727.463.82 PAGE 16					

IND.	POS.NO.	PART NO.	VALUE	SPECIFICATIONS / EQUIVALENT	MANUF.
R...275		57.11.3223	22 kOhm	2%, 0.25W, MF	
R...276		57.11.3103	10 kOhm	2%, 0.25W, MF	
R...277		57.11.3339	3.3 Ohm	2%, 0.25W, MF	
R...278		57.11.3103	10 kOhm	2%, 0.25W, MF	
R...279		57.11.3103	10 kOhm	2%, 0.25W, MF	
R...280		57.11.3339	3.3 Ohm	2%, 0.25W, MF	
R...281		57.11.3222	2.2 kOhm	2%, 0.25W, MF	
R...282		57.11.3222	2.2 kOhm	2%, 0.25W, MF	
R...283		57.11.3339	3.3 Ohm	2%, 0.25W, MF	
R...284		57.11.3103	10 kOhm	2%, 0.25W, MF	
R...285		57.11.3103	10 kOhm	2%, 0.25W, MF	
R...286		57.11.3339	3.3 Ohm	2%, 0.25W, MF	
R...287		57.11.3472	4.7 kOhm	2%, 0.25W, MF	
R...288		57.11.3103	10 kOhm	2%, 0.25W, MF	
R...289		57.11.3471	470 Ohm	2%, 0.25W, MF	
R...290		57.11.3391	390 Ohm	2%, 0.25W, MF	
R...291		57.11.3152	1.5 kOhm	2%, 0.25W, MF	
R...292		57.92.1151	18 Ohm	150mA, PTC	
R...293		57.11.3180	18 Ohm	2%, 0.25W, MF	
R...294		57.11.3470	47 Ohm	2%, 0.25W, MF	
R...295		57.11.3223	22 kOhm	2%, 0.25W, MF	
R...296		57.11.3103	10 kOhm	2%, 0.25W, MF	
R...297		57.11.3472	4.7 kOhm	2%, 0.25W, MF	
T...2	1.022.451.00		1:0.62	Line Input Trafo	St
T...3	1.022.271.00			Erase Trafo	St
T...4	1.022.272.00			Bias Trafo	St
T...5	1.022.402.00		1:10	Sync Trafo	St
T...6	1.022.355.00			Line Output Trafo	St
TP...1	54.02.0320			Plug 2.8x0.8	AMP
TP...2	54.02.0320			Plug 2.8x0.8	AMP
TP...3	54.02.0320			Plug 2.8x0.8	AMP
TP...4	54.02.0320			Plug 2.8x0.8	AMP
TP...5	54.02.0320			Plug 2.8x0.8	AMP
TP...6	54.02.0320			Plug 2.8x0.8	AMP
TP...7	54.02.0320			Plug 2.8x0.8	AMP
S T U D E R (02) 89/03/01 GP AUDIO ELECTRONICS BOARD 2/2 PL 1.727.463.82 PAGE 14					

IND.	POS.NO.	PART NO.	VALUE	SPECIFICATIONS / EQUIVALENT	MANUF.
W...3		64.01.0106		Wire Bridge	
W...4				not used	
W...5		64.01.0106		Wire Bridge	
W...6				not used	
W...7		64.01.0106		Wire Bridge	
W...8		64.01.0106		Wire Bridge	
W...10		64.01.0106		Wire Bridge	
W...12		64.01.0106		Wire Bridge	
XIC...2		53.03.0166	8-Pole	IC Socket	
XIC...5		53.03.0166	8-Pole	IC Socket	
XIC...6		53.03.0166	8-Pole	IC Socket	
XIC...7		53.03.0166	8-Pole	IC Socket	
XIC...8		53.03.0168	16-Pole	IC Socket	
XIC...9		53.03.0166	8-Pole	IC Socket	
XIC...10		53.03.0166	8-Pole	IC Socket	
XIC...11		53.03.0165	20-Pole	IC Socket	
XIC...12		53.03.0168	16-Pole	IC Socket	
XIC...13		53.03.0166	8-Pole	IC Socket	
XIC...14		53.03.0166	8-Pole	IC Socket	
XIC...15		53.03.0166	8-Pole	IC Socket	
XIC...16		53.03.0168	16-Pole	IC Socket	
XIC...17		53.03.0168	16-Pole	IC Socket	
XIC...18		53.03.0168	16-Pole	IC Socket	
XIC...19		53.03.0166	8-Pole	IC Socket	
XIC...20		53.03.0166	8-Pole	IC Socket	
XIC...21		53.03.0166	8-Pole	IC Socket	
XIC...22		53.03.0166	8-Pole	IC Socket	
XIC...23		53.03.0165	20-Pole	IC Socket	
XIC...24		53.03.0166	8-Pole	IC Socket	
XIC...25		53.03.0166	8-Pole	IC Socket	
XIC...26		53.03.0168	16-Pole	IC Socket	
XIC...27		53.03.0166	8-Pole	IC Socket	

STUDER A807 MKII

AUDIO ELECTRONICS BOARD 2/2 1.727.463.83
 -AUDIO ELECTRONICS BOARD 2/2 HS 1.727.468.00

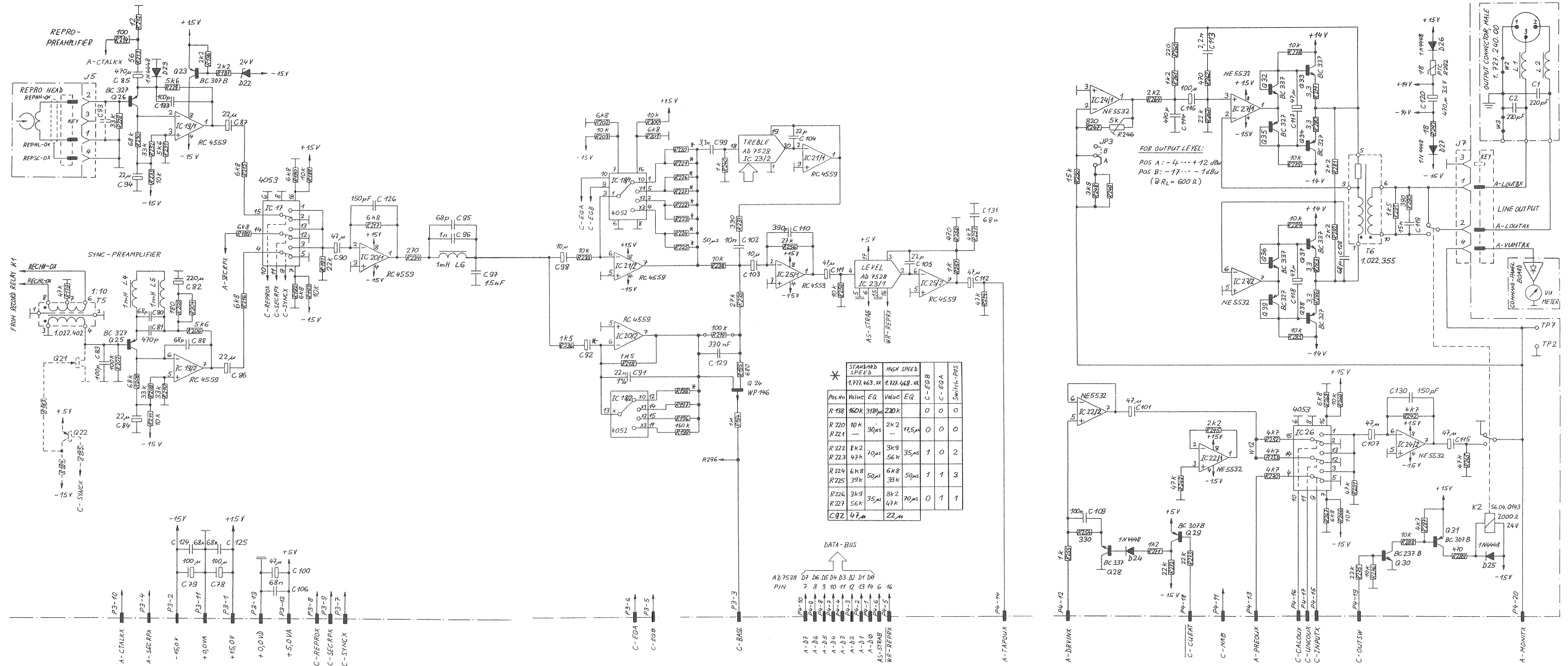


3.7.89 GP	A 807 GR 41/GR 42	PAGE 1 OF 6
STUDER	AUDIO ELECTRONICS BOARD 2/2	SC 1.727.463.83
	AUDIO ELECTRONICS BOARD 2/2 HS	1.727.468.00

3.7.89 GP	A 807 GR 41/42	PAGE 2 OF 6
STUDER	AUDIO ELECTRONICS BOARD 2/2	SC 1.727.463.83
	AUDIO ELECTRONICS BOARD 2/2 HS	1.727.468.00

3.7.89 GP	A 807 GR 41/42	PAGE 3 OF 6
STUDER	AUDIO ELECTRONICS BOARD 2/2	SC 1.727.463.83
	AUDIO ELECTRONICS BOARD 2/2 HS	1.727.468.00

AUDIO ELECTRONICS BOARD 2/2 1.727.463.83
 -AUDIO ELECTRONICS BOARD 2/2 HS 1.727.468.00

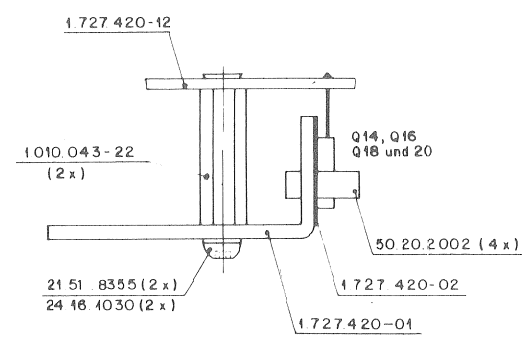
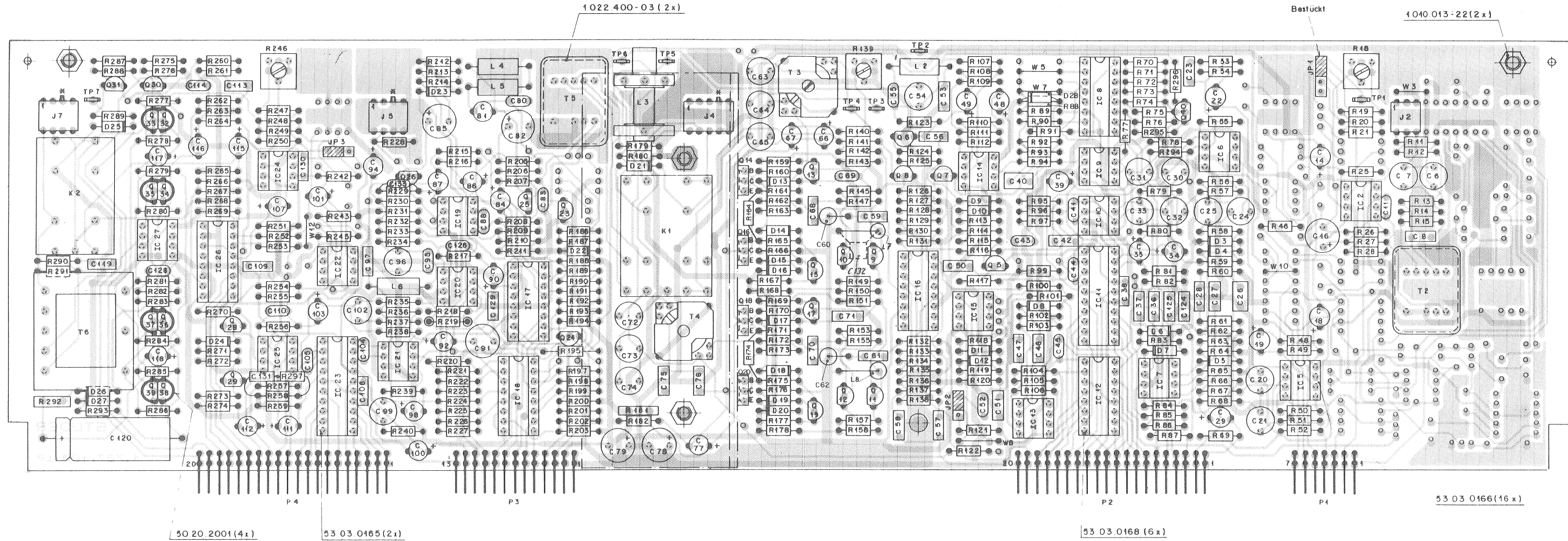


3.7.89 GP	A 807 GR 41/42	SC	1.727.463.83	PAGE 4 OF 6
STUDER	AUDIO ELECTRONICS BOARD 2/2			
	AUDIO ELECTRONICS BOARD 2/2 HS		1.727.468.00	

3.7.89 GP	A 807 GR 41/42	SC	1.727.463.83	PAGE 5 OF 6
STUDER	AUDIO ELECTRONICS BOARD 2/2			
	AUDIO ELECTRONICS BOARD 2/2 HS		1.727.468.00	

3.7.89 GP	A 807 GR 41/42	SC	1.727.463.83	PAGE 6 OF 6
STUDER	AUDIO ELECTRONICS BOARD 2/2			
	AUDIO ELECTRONICS BOARD 2/2 HS		1.727.468.00	

AUDIO ELECTRONICS BOARD 2/2 1.727.463.83
 -AUDIO ELECTRONICS BOARD 2/2 HS 1.727.468.00



- R18 = INPUT LEVEL ADJUSTMENT
- R139 = ERASE VOLTAGE ADJUSTMENT
- R246 = OUTPUT LEVEL ADJUSTMENT
- L3 = BIAS TRAP
- T3 = ERASE HEAD CIRCUIT
- JP1 INPUT LEVEL SENSITIVITY
- JP2 HX PRO: A = ON B = OFF
- JP3 OUTPUT LEVEL SENSITIVITY
- TP1 RECORD AMPLIFIER SIGNAL (0.775 V = 0 VU)
- TP2 0.0 V
- TP3 VOLTAGE ON ERASE HEAD
- TP4 PRIMARY CURRENT ON ERASE TRANSFORMER
- TP5 BIAS CURRENT ON 10 Ω
- TP6 REJECTOR FILTER ADJUSTMENT
- TP7 VU METER SIGNAL (0.775 V = 0 VU)

FACTORY STANDARD SETTING

R 219 auf Sockel 53.03.0228 (2x)

AUDIO ELECTRONICS BOARD 2/2 1.727.463.83

IND.	POS.NO.	PART NO.	VALUE	SPECIFICATIONS / EQUIVALENT	MANUF.	IND.	POS.NO.	PART NO.	VALUE	SPECIFICATIONS / EQUIVALENT	MANUF.	IND.	POS.NO.	PART NO.	VALUE	SPECIFICATIONS / EQUIVALENT	MANUF.	IND.	POS.NO.	PART NO.	VALUE	SPECIFICATIONS / EQUIVALENT	MANUF.	
C....6	59.05.1681	680 pF	1X	50V PP		C...12B	59.34.4680	68 pF	10X	50V Cer		Q....15	50.03.0436	BC237B	BC547B, BC550B	NFN	R...119	57.11.3102	1 kOhm	2X	0.25W	MF		
C....7	59.05.1681	680 pF	1X	50V PP		C...129	59.06.5334	330 nF	5X	50V PEP		Q....16	50.03.0510	BD136-16		PFP	R...120	57.11.3104	100 kOhm	2X	0.25W	MF		
C....8	59.06.0103	10 nF	10X	50V PEP		C...130	59.34.4151	150 pF	10X	50V Cer		Q....17	50.03.0515	BC307B	BC557B, BC560B	PFP	R...121	57.11.3662	6.8 kOhm	2X	0.25W	MF		
C...11	59.34.4151	150 pF	10X	50V Cer		C...131	59.06.0683	68 nF	10X	50V PEP		Q....18	50.03.0495	BD135-16		NFN	R...122	57.11.3154	150 kOhm	2X	0.25W	MF		
C...14	59.22.3470	47 uF	-20X	10V EL		C...132	59.34.4101	100 pF	5X	50V Cer		Q....19	50.03.0436	BC237B	BC547B, BC550B	NFN	R...123	57.11.3471	470 Ohm	2X	0.25W	MF		
C...16	59.22.2221	220 uF	-20X	6.3V EL		C...133	59.34.4101	100 pF	5X	50V Cer		Q....20	50.03.0510	BD136-16		PFP	R...124	57.11.5106	10 MOhm	5X	0.25W	MF		
C...18	59.22.3470	47 uF	-20X	10V EL		D....3	50.04.0125	IN4448		50V SI		Q....21		not used			R...125	57.11.5106	10 MOhm	5X	0.25W	MF		
C...19	59.22.3470	47 uF	-20X	10V EL		D....4	50.04.1102	6.8 V	5X	0.4W Zener		Q....22		not used			R...126	57.11.3103	10 kOhm	2X	0.25W	MF		
C...20	59.05.2102	1 nF	2.5X	50V PP		D....5	50.04.1106	2.7 V	5X	0.4W Zener		Q....23	50.03.0515	BC307B	BC557B, BC560B	PFP	R...127	57.11.3472	4.7 kOhm	2X	0.25W	MF		
C...21	59.05.2102	1 nF	2.5X	50V PP		D....6	50.04.1112	5.1 V	5X	0.4W Zener		Q....24	50.03.0329	WPL46		FET	Not	R...128	57.11.3472	4.7 kOhm	2X	0.25W	MF	
C...22	59.22.6100	10 uF	-20X	35V EL		D....7	50.04.0125	IN4448		50V SI		Q....25	50.03.0625	BC327		PFP	R...129	57.11.3104	10 kOhm	2X	0.25W	MF		
C...23	59.06.5682	6.8 nF	5X	50V PEP		D....8	50.04.1106	2.7 V	5X	0.4W Zener		Q....26	50.03.0625	BC327		PFP	R...130	57.11.3153	15 kOhm	2X	0.25W	MF		
C...24	59.05.2102	1 nF	2.5X	50V PP		D....9	50.04.1106	2.7 V	5X	0.4W Zener		Q....28	50.03.0340	BC337-25		NFN	R...131	57.11.3153	15 kOhm	2X	0.25W	MF		
C...25	59.05.2102	1 nF	2.5X	50V PP		D...10	50.04.0125	IN4448		50V SI		Q....29	50.03.0515	BC307B	BC557B, BC560B	NFN	R...132	57.11.3103	10 kOhm	2X	0.25W	MF		
C...26	59.06.0105	1 uF	10X	50V PEP		D...11	50.04.0125	IN4448		50V SI		Q....30	50.03.0436	BC237B	BC547B, BC550B	NFN	R...133	57.11.3221	220 Ohm	2X	0.25W	MF		
C...27	59.06.0473	47 nF	10X	50V PEP		D...12	50.04.0125	IN4448		50V SI		Q....31	50.03.0515	BC307B	BC557B, BC560B	NFN	R...134	57.11.3221	220 Ohm	2X	0.25W	MF		
C...28	59.06.0473	47 nF	10X	50V PEP		D...13	50.04.0125	IN4448		50V SI		Q....32	50.03.0516	BC337	matched with Q33	NFN	R...135	57.11.3221	220 Ohm	2X	0.25W	MF		
C...29	59.22.3470	47 uF	-20X	10V EL		D...14	50.04.0125	IN4448		50V SI		Q....33	50.03.0516	BC337	matched with Q32	NFN	R...136	57.11.3221	220 Ohm	2X	0.25W	MF		
C...30	59.05.1332	3.3 nF	1X	50V PP		D...15	50.04.0125	IN4448		50V SI		Q....34	50.03.0625	BC327	matched with Q35	PFP	R...137	57.11.3662	6.8 kOhm	2X	0.25W	MF		
C...31	59.05.1332	3.3 nF	1X	50V PP		D...16	50.04.0125	IN4448		50V SI		Q....35	50.03.0625	BC327	matched with Q34	PFP	R...138	57.11.3822	8.2 kOhm	2X	0.25W	MF		
C...32	59.05.2102	1 nF	2.5X	50V PP		D...17	50.04.0125	IN4448		50V SI		Q....36	50.03.0516	BC337	matched with Q37	NFN	R...139	58.01.8103	10 kOhm	10X	0.5 W	PMG		
C...33	59.05.2102	1 nF	2.5X	50V PP		D...18	50.04.0125	IN4448		50V SI		Q....37	50.03.0516	BC337	matched with Q36	NFN	R...140	57.11.3229	2.2 Ohm	2X	0.25W	MF		
C...34	59.22.8479	4.7 uF	-20X	35V EL		D...19	50.04.0125	IN4448		50V SI		Q....38	50.03.0625	BC327	matched with Q39	PFP	R...141	57.11.3101	300 Ohm	2X	0.25W	MF		
C...35	59.22.8479	4.7 uF	-20X	35V EL		D...20	50.04.0125	IN4448		50V SI		Q....39	50.03.0625	BC327	matched with Q38	PFP	R...142	57.11.3332	3.3 kOhm	2X	0.25W	MF		
C...36	59.06.0473	47 nF	10X	50V PEP		D...21	50.04.0125	IN4448		50V SI		Q....40	50.03.0350	J112		FET	Not	R...143	57.11.3332	3.3 kOhm	2X	0.25W	MF	
C...37	59.06.0473	47 nF	10X	50V PEP		D...22	50.04.1121	24 V	5X	0.4W Zener		R...111	57.11.3152	1.5 kOhm	2X	0.25W	MF	R...144	57.11.3471	470 Ohm	2X	0.25W	MF	
C...38	59.06.0683	68 nF	10X	50V PEP		D...23	50.04.0125	IN4448		50V SI		R...112	57.11.3152	1.5 kOhm	2X	0.25W	MF	R...145	57.11.3220	22 Ohm	2X	0.25W	MF	
C...39	59.22.3470	47 uF	-20X	10V EL		D...24	50.04.0125	IN4448		50V SI		R...113	57.11.3392	3.9 kOhm	2X	0.25W	MF	R...146	57.11.3220	22 Ohm	2X	0.25W	MF	
C...40	59.06.0473	47 nF	10X	50V PEP		D...25	50.04.0125	IN4448		50V SI		R...114	57.11.3392	3.9 kOhm	2X	0.25W	MF	R...147	57.11.3332	3.3 kOhm	2X	0.25W	MF	
C...41	59.34.2220	22 pF	10X	50V Cer		D...26	50.04.0125	IN4448		50V SI		R...115	57.11.3182	1.8 kOhm	2X	0.25W	MF	R...148	57.11.3332	3.3 kOhm	2X	0.25W	MF	
C...42	59.06.0223	22 nF	10X	50V PEP		D...27	50.04.0125	IN4448		50V SI		R...116	57.11.3522	5.6 kOhm	10X	0.5 W	PMG	R...149	57.11.3332	3.3 kOhm	2X	0.25W	MF	
C...43	59.34.2220	22 pF	10X	50V Cer		D...28	50.04.1114	10 V	5X	0.4W Zener		R...117	57.11.3821	820 Ohm	2X	0.25W	MF	R...150	57.11.3220	22 Ohm	2X	0.25W	MF	
C...44	59.34.2220	22 pF	10X	50V Cer		IC...2	50.09.0105	NE 5532		Dual Op. Amp.		R...118	57.11.3123	12 kOhm	2X	0.25W	MF	R...151	57.11.3220	22 Ohm	2X	0.25W	MF	
C...45	59.34.2220	22 pF	10X	50V Cer		IC...3	50.09.0105	NE 5532		Dual Op. Amp.		R...119	57.11.3222	2.2 kOhm	2X	0.25W	MF	R...152	57.11.3220	22 Ohm	2X	0.25W	MF	
C...46	59.06.0333	33 nF	10X	50V PEP		IC...4	50.09.0105	NE 5532		Dual Op. Amp.		R...120	57.11.3222	2.2 kOhm	2X	0.25W	MF	R...153	57.11.3470	47 Ohm	2X	0.25W	MF	
C...47	59.06.0105	1 uF	10X	50V PEP		IC...5	50.09.0107	RC 4559		Dual Op. Amp.		R...121	57.11.3432	3.9 kOhm	2X	0.25W	MF	R...154	57.11.3470	47 Ohm	2X	0.25W	MF	
C...48	59.22.3470	47 uF	-20X	10V EL		IC...6	50.09.0107	RC 4559		Dual Op. Amp.		R...122	57.11.3392	3.9 kOhm	2X	0.25W	MF	R...155	57.11.3470	47 Ohm	2X	0.25W	MF	

S T U D E R (00) 89/07/03 GP AUDIO ELECTRONICS BOARD 2/2 PL 1.727.463.83 PAGE 1 S T U D E R (00) 89/07/03 GP AUDIO ELECTRONICS BOARD 2/2 PL 1.727.463.83 PAGE 4 S T U D E R (00) 89/07/03 GP AUDIO ELECTRONICS BOARD 2/2 PL 1.727.463.83 PAGE 7 S T U D E R (00) 89/07/03 GP AUDIO ELECTRONICS BOARD 2/2 PL 1.727.463.83 PAGE 10

IND.	POS.NO.	PART NO.	VALUE	SPECIFICATIONS / EQUIVALENT	MANUF.	IND.	POS.NO.	PART NO.	VALUE	SPECIFICATIONS / EQUIVALENT	MANUF.	IND.	POS.NO.	PART NO.	VALUE	SPECIFICATIONS / EQUIVALENT	MANUF.	IND.	POS.NO.	PART NO.	VALUE	SPECIFICATIONS / EQUIVALENT	MANUF.
C...49	59.22.3470	47 uF	-20X	10V EL		IC...7	50.09.0107	RC 4559		Dual Op. Amp.		R...27	57.11.3432	4.3 kOhm	2X	0.25W	MF	R...162	57.11.3472	4.7 kOhm	2X	0.25W	MF
C...50	59.06.0104	100 nF	10X	50V PEP		IC...8	50.07.0024	MC 14052		CMOS Analog Switch		R...28	57.11.3101	100 Ohm	2X	0.25W	MF	R...163	57.11.3229	2.2 Ohm	2X	0.25W	MF
C...51	59.06.0103	10 nF	10X	50V PEP		IC...9	50.09.0107	RC 4559		Dual Op. Amp.		R...29	57.11.3472	4.7 kOhm	2X	0.25W	MF	R...164	57.11.3102	1 kOhm	2X	0.25W	MF
C...52	59.34.4151	150 pF	10X	50V Cer		IC...10	50.09.0107	RC 4559		Dual Op. Amp.		R...30	57.11.3472	4.7 kOhm	2X	0.25W	MF	R...165	57.11.3220	22 Ohm	2X	0.25W	MF
C...53	59.06.0102	1 nF	10X	50V PEP		IC...11	50.07.0026	AD 7528JH		Dual 8-bit D/A Converter		R...31	57.11.3472	4.7 kOhm	2X	0.25W	MF	R...166	57.11.3472	4.7 kOhm	2X	0.25W	MF
C...54	59.05.2102	1 nF	2.5X	50V PP		IC...12	50.07.0002	AD 7524JH		8-bit D/A Converter		R...32	57.11.3152	1.5 kOhm	2X	0.25W	MF	R...167	57.11.3690	68 Ohm	2X	0.25W	MF
C...55	59.34.4680	68 pF	10X	50V Cer		IC...13	50.09.0107	RC 4559		Dual Op. Amp.		R...33	57.11.3472	4.7 kOhm	2X	0.25W	MF	R...168	57.11.3472	4.7 kOhm	2X	0.25W	MF
C...56	59.06.0472	4.7 nF	10X	50V PEP		IC...14	50.09.0107	RC 4559		Dual Op. Amp.		R...34	57.11.3473	4.7 kOhm	2X	0.25W	MF	R...169	57.11.3470	47 Ohm	2X	0.25W	MF
C...57	59.06.0103	10 nF	10X	50V PEP		IC...15	50.09.0101	LF 353		Dual Op. Amp.		R...35	57.11.3682	6.8 kOhm	2X	0.25W	MF	R...170	57.11.3229	2.2 Ohm	2X	0.25W	MF
C...58	59.06.0103	10 nF	10X	50V PEP		IC...16	50.09.																

AUDIO ELECTRONICS BOARD 2/2 1.727.463.83

IND.	POS.NO.	PART NO.	VALUE	SPECIFICATIONS / EQUIVALENT	MANUF.	IND.	POS.NO.	PART NO.	VALUE	SPECIFICATIONS / EQUIVALENT	MANUF.
R...	236	57.11.3152	1.5 kOhm	2%, 0.25W, MF							
R...	237	57.11.3331	330 Ohm	2%, 0.25W, MF							
R...	238	57.11.3103	10 kOhm	2%, 0.25W, MF							
R...	239	57.11.3102	1 kOhm	2%, 0.25W, MF							
R...	240	57.11.3102	1 kOhm	2%, 0.25W, MF							
R...	242	57.11.3472	4.7 kOhm	2%, 0.25W, MF							
R...	243	57.11.3473	47 kOhm	2%, 0.25W, MF							
R...	245	57.11.3222	2.2 kOhm	2%, 0.25W, MF							
R...	246	58.01.8502	5 kOhm	10%, 0.5 W, FMG							
R...	247	57.11.3821	820 Ohm	2%, 0.25W, MF							
R...	248	57.11.3392	3.9 kOhm	2%, 0.25W, MF							
R...	249			not used							
R...	250	57.11.3153	15 kOhm	2%, 0.25W, MF							
R...	251	57.11.3473	47 kOhm	2%, 0.25W, MF							
R...	252	57.11.3472	4.7 kOhm	2%, 0.25W, MF							
R...	253	57.11.3472	4.7 kOhm	2%, 0.25W, MF							
R...	254	57.11.3331	330 Ohm	2%, 0.25W, MF							
R...	255	57.11.3102	1 kOhm	2%, 0.25W, MF							
R...	256	57.11.3273	27 kOhm	2%, 0.25W, MF							
R...	257	57.11.3102	1 kOhm	2%, 0.25W, MF							
R...	258	57.11.3471	470 Ohm	2%, 0.25W, MF							
R...	259	57.11.3103	10 kOhm	2%, 0.25W, MF							
R...	260	57.11.3221	220 Ohm	2%, 0.25W, MF							
R...	261	57.11.3122	1.2 kOhm	2%, 0.25W, MF							
R...	262	57.11.3471	470 Ohm	2%, 0.25W, MF							
R...	263	57.11.3223	22 kOhm	2%, 0.25W, MF							
R...	264	57.11.3222	2.2 kOhm	2%, 0.25W, MF							
R...	265	57.11.3473	47 kOhm	2%, 0.25W, MF							
R...	266	57.11.3103	10 kOhm	2%, 0.25W, MF							
R...	267	57.11.3682	6.8 kOhm	2%, 0.25W, MF							
R...	268	57.11.3682	6.8 kOhm	2%, 0.25W, MF							
R...	269	57.11.3103	10 kOhm	2%, 0.25W, MF							
R...	270	57.11.3472	4.7 kOhm	2%, 0.25W, MF							
R...	271	57.11.3122	1.2 kOhm	2%, 0.25W, MF							
R...	272	57.11.3223	22 kOhm	2%, 0.25W, MF							
R...	273	57.11.3223	22 kOhm	2%, 0.25W, MF							
R...	274	57.11.3473	47 kOhm	2%, 0.25W, MF							

Cer = Ceramic EL = Electrolytic PETP = Polyester
 PP = Polypropylen MF = Metal Film SI = Silicon
 MANUFACTURER: ADI = Analog Devices Inc. Mot = Motorola
 NS = National Semiconductors Ra = Raytheon
 Sig = Signetics St = Studer

ORIG 89/07/03

S T U D E R (00) 89/07/03 GP AUDIO ELECTRONICS BOARD 2/2 PL 1.727.463.83 PAGE 13 S T U D E R (00) 89/07/03 GP AUDIO ELECTRONICS BOARD 2/2 PL 1.727.463.83 PAGE 16

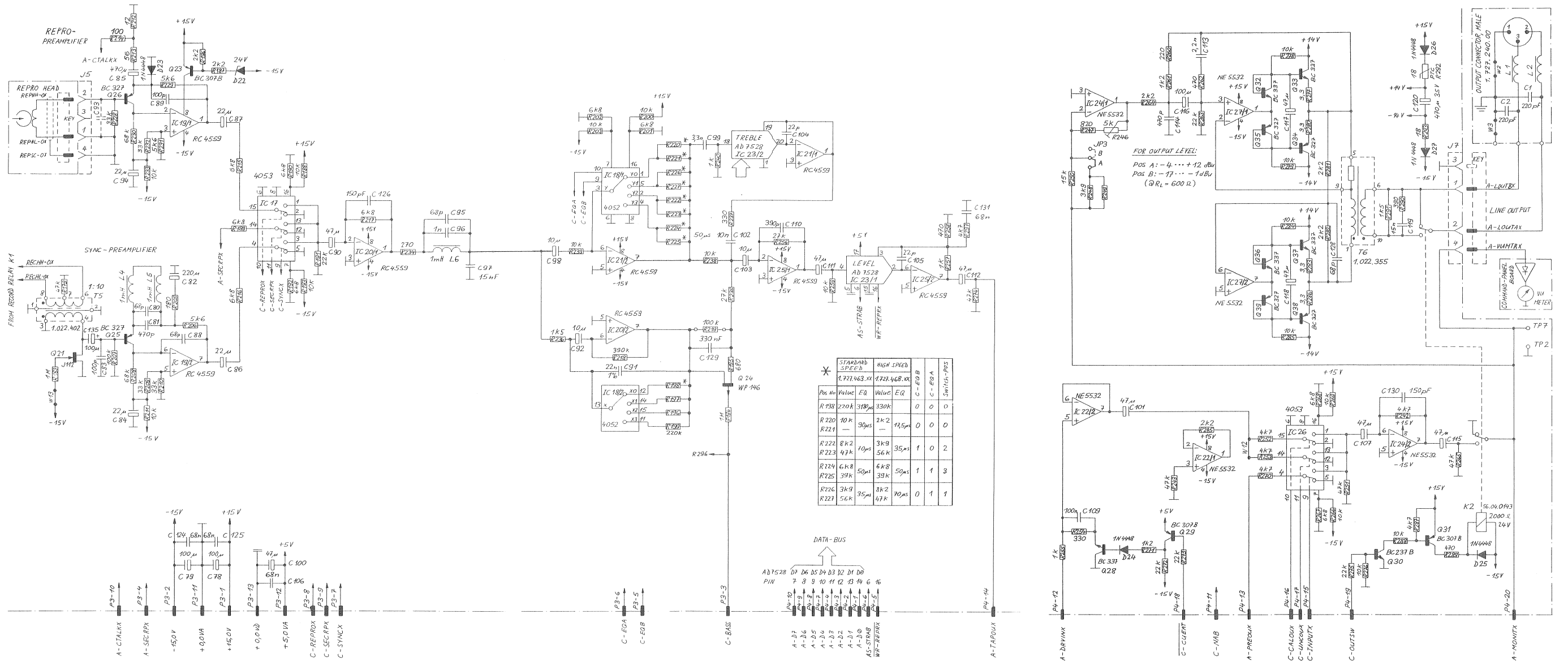
IND.	POS.NO.	PART NO.	VALUE	SPECIFICATIONS / EQUIVALENT	MANUF.
R...	275	57.11.3223	22 kOhm	2%, 0.25W, MF	
R...	276	57.11.3103	10 kOhm	2%, 0.25W, MF	
R...	277	57.11.3339	3.3 Ohm	2%, 0.25W, MF	
R...	278	57.11.3103	10 kOhm	2%, 0.25W, MF	
R...	279	57.11.3103	10 kOhm	2%, 0.25W, MF	
R...	280	57.11.3339	3.3 Ohm	2%, 0.25W, MF	
R...	281	57.11.3222	2.2 kOhm	2%, 0.25W, MF	
R...	282	57.11.3222	2.2 kOhm	2%, 0.25W, MF	
R...	283	57.11.3339	3.3 Ohm	2%, 0.25W, MF	
R...	284	57.11.3103	10 kOhm	2%, 0.25W, MF	
R...	285	57.11.3103	10 kOhm	2%, 0.25W, MF	
R...	286	57.11.3339	3.3 Ohm	2%, 0.25W, MF	
R...	287	57.11.3472	4.7 kOhm	2%, 0.25W, MF	
R...	288	57.11.3103	10 kOhm	2%, 0.25W, MF	
R...	289	57.11.3471	470 Ohm	2%, 0.25W, MF	
R...	290	57.11.3391	390 Ohm	2%, 0.25W, MF	
R...	291	57.11.3152	1.5 kOhm	2%, 0.25W, MF	
R...	292	57.92.1151	18 Ohm	150mA, PTC	
R...	293	57.11.3180	18 Ohm	2%, 0.25W, MF	
R...	294	57.11.3470	47 Ohm	2%, 0.25W, MF	
R...	295	57.11.3223	22 kOhm	2%, 0.25W, MF	
R...	296	57.11.3105	1 MOhm	2%, 0.25W, MF	
R...	297	57.11.3472	4.7 kOhm	2%, 0.25W, MF	
T....	2	1.022.451.00	1:0.62	Line Input Trafo	St
T....	3	1.022.271.00		Erase Trafo	St
T....	4	1.022.272.00		Bias Trafo	St
T....	5	1.022.402.00	1:10	Sync Trafo	St
T....	6	1.022.355.00		Line Output Trafo	St
TP...	1	54.02.0320		Plug 2.8*0.8	AMP
TP...	2	54.02.0320		Plug 2.8*0.8	AMP
TP...	3	54.02.0320		Plug 2.8*0.8	AMP
TP...	4	54.02.0320		Plug 2.8*0.8	AMP
TP...	5	54.02.0320		Plug 2.8*0.8	AMP
TP...	6	54.02.0320		Plug 2.8*0.8	AMP
TP...	7	54.02.0320		Plug 2.8*0.8	AMP

S T U D E R (00) 89/07/03 GP AUDIO ELECTRONICS BOARD 2/2 PL 1.727.463.83 PAGE 14

IND.	POS.NO.	PART NO.	VALUE	SPECIFICATIONS / EQUIVALENT	MANUF.
W....	3	64.01.0106		Wire Bridge	
W....	4			not used	
W....	5	64.01.0106		Wire Bridge	
W....	6			not used	
W....	7	64.01.0106		Wire Bridge	
W....	8	64.01.0106		Wire Bridge	
W....	10	64.01.0106		Wire Bridge	
W....	12	64.01.0106		Wire Bridge	
XIC...	2	53.03.0166		8-Pole IC Socket	
XIC...	5	53.03.0166		8-Pole IC Socket	
XIC...	6	53.03.0166		8-Pole IC Socket	
XIC...	7	53.03.0166		8-Pole IC Socket	
XIC...	8	53.03.0168		16-Pole IC Socket	
XIC...	9	53.03.0166		8-Pole IC Socket	
XIC...	10	53.03.0166		8-Pole IC Socket	
XIC...	11	53.03.0165		20-Pole IC Socket	
XIC...	12	53.03.0168		16-Pole IC Socket	
XIC...	13	53.03.0166		8-Pole IC Socket	
XIC...	14	53.03.0166		8-Pole IC Socket	
XIC...	15	53.03.0166		8-Pole IC Socket	
XIC...	16	53.03.0168		16-Pole IC Socket	
XIC...	17	53.03.0168		16-Pole IC Socket	
XIC...	18	53.03.0168		16-Pole IC Socket	
XIC...	19	53.03.0166		8-Pole IC Socket	
XIC...	20	53.03.0166		8-Pole IC Socket	
XIC...	21	53.03.0166		8-Pole IC Socket	
XIC...	22	53.03.0166		8-Pole IC Socket	
XIC...	23	53.03.0165		20-Pole IC Socket	
XIC...	24	53.03.0166		8-Pole IC Socket	
XIC...	25	53.03.0168		8-Pole IC Socket	
XIC...	26	53.03.0168		16-Pole IC Socket	
XIC...	27	53.03.0166		8-Pole IC Socket	

S T U D E R (00) 89/07/03 GP AUDIO ELECTRONICS BOARD 2/2 PL 1.727.463.83 PAGE 15

AUDIO ELECTRONICS BOARD 2/2 1.727.463.84
 -AUDIO ELECTRONICS BOARD 2/2 HS 1.727.468.81

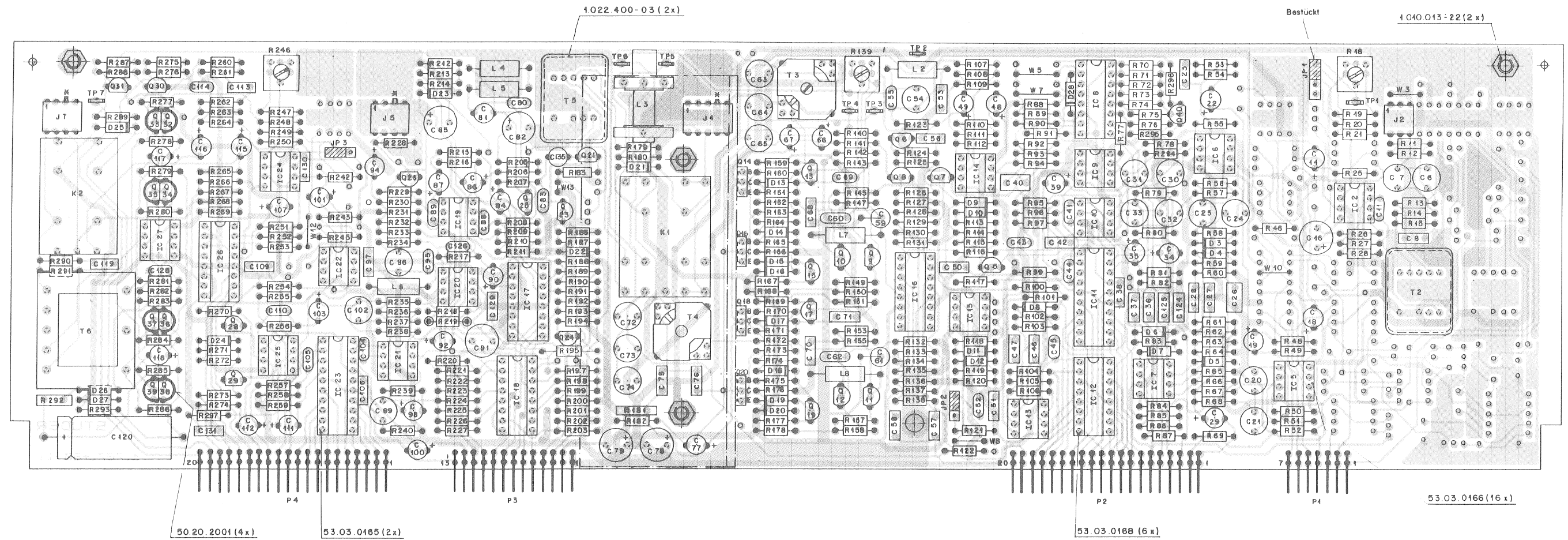


22.3.90 GP	A 807 GR 41/42	PAGE 4 OF 6
STUDER	AUDIO ELECTRONICS BOARD 2/2	SC 1.727.463.84
	AUDIO ELECTRONICS BOARD 2/2 HS	1.727.468.81

22.3.90 GP	A 807 GR 41/42	PAGE 5 OF 6
STUDER	AUDIO ELECTRONICS BOARD 2/2	SC 1.727.463.84
	AUDIO ELECTRONICS BOARD 2/2 HS	1.727.468.81

22.3.90 GP	A 807 GR 41/42	PAGE 6 OF 6
STUDER	AUDIO ELECTRONICS BOARD 2/2	SC 1.727.463.84
	AUDIO ELECTRONICS BOARD 2/2 HS	1.727.468.81

AUDIO ELECTRONICS BOARD 2/2 1.727.463.84
 -AUDIO ELECTRONICS BOARD 2/2 HS 1.727.468.81



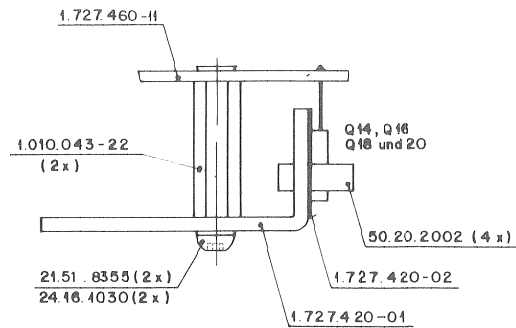
- R18 = INPUT LEVEL ADJUSTMENT
- R139 = ERASE VOLTAGE ADJUSTMENT
- R246 = OUTPUT LEVEL ADJUSTMENT
- L3 = BIAS TRAP
- T3 = ERASE HEAD CIRCUIT

- JP1 INPUT LEVEL SENSITIVITY
- JP2 HX PRO: A = ON, B = OFF
- JP3 OUTPUT LEVEL SENSITIVITY

- TP1 RECORD AMPLIFIER SIGNAL (0.775 V = 0 VU)
- TP2 0.0 V
- TP3 VOLTAGE ON ERASE HEAD
- TP4 PRIMARY CURRENT ON ERASE TRANSFORMER
- TP5 BIAS CURRENT ON 10 Ω
- TP6 REJECTOR FILTER ADJUSTMENT
- TP7 VU METER SIGNAL (0.775 V = 0 VU)

FACTORY STANDARD SETTING

R249 auf Sockel 53.03.0228 (2x)



AUDIO ELECTRONICS BOARD 2/2 1.727.463.84

IND.	POS.NO.	PART NO.	VALUE	SPECIFICATIONS / EQUIVALENT	MANUF.	IND.	POS.NO.	PART NO.	VALUE	SPECIFICATIONS / EQUIVALENT	MANUF.	IND.	POS.NO.	PART NO.	VALUE	SPECIFICATIONS / EQUIVALENT	MANUF.	IND.	POS.NO.	PART NO.	VALUE	SPECIFICATIONS / EQUIVALENT	MANUF.
C....6	59.05.1681	680 pF	1K	50V PP		C...128	59.34.4680	68 pF	10X	50V Cer		Q...16	50.03.0510	BD136-16		PNP		R...120	57.11.3104	100 kOhm	2X	0.25W	MF
C...7	59.06.0103	1K	50V PP		C...129	59.06.5334	330 nF	5K	50V PTF		Q...17	50.03.0515	BC307B		PNP		R...121	57.11.3662	6.8 kOhm	2X	0.25W	MF	
C...11	59.34.4151	150 pF	10X	50V Cer		C...130	59.34.4151	150 pF	10X	50V Cer		Q...18	50.03.0495	BD135-16		NPN		R...122	57.11.3154	150 kOhm	2X	0.25W	MF
C...14	59.22.3470	47 uF	-20X	10V EL		C...131	59.06.0683	68 nF	10X	50V PTF		Q...19	50.03.0436	BC237B		NPN		R...123	57.11.3471	470 Ohm	2X	0.25W	MF
C...16	59.22.2221	220 uF	-20X	6.3V EL		C...135	59.22.3101	100 uF	-20X	10V EL		Q...20	50.03.0510	BD136-16		PNP		R...124	57.11.3106	10 kOhm	5X	0.25W	MF
C...18	59.22.3470	47 uF	-20X	10V EL		D...3	50.04.0125	1N4448		50V SI		Q...22	50.03.0515	BC307B		PNP		R...125	57.11.3106	10 kOhm	5X	0.25W	MF
C...19	59.22.3470	47 uF	-20X	10V EL		D...4	50.04.1102	6.8 V	5K	0.4W Zener		Q...23	50.03.0529	BC307B		PNP		R...126	57.11.3103	10 kOhm	2X	0.25W	MF
C...20	59.05.2102	1 nF	2.5K	50V PP		D...5	50.04.1106	2.7 V	5K	0.4W Zener		Q...24	50.03.0515	BC307B		PNP		R...127	57.11.3472	4.7 kOhm	2X	0.25W	MF
C...21	59.05.2102	1 nF	2.5K	50V PP		D...6	50.04.1112	5.1 V	5K	0.4W Zener		Q...25	50.03.0625	BC327		PNP		R...128	57.11.3472	4.7 kOhm	2X	0.25W	MF
C...22	59.22.6100	10 uF	-20X	35V EL		D...7	50.04.0125	1N4448		50V SI		Q...26	50.03.0625	BC327		PNP		R...129	57.11.3103	10 kOhm	2X	0.25W	MF
C...23	59.06.5682	6.8 nF	5K	50V PTF		D...8	50.04.1106	2.7 V	5K	0.4W Zener		Q...28	50.03.0340	BC337-25		NPN		R...130	57.11.3153	15 kOhm	2X	0.25W	MF
C...24	59.05.2102	1 nF	2.5K	50V PP		D...9	50.04.1106	2.7 V	5K	0.4W Zener		Q...29	50.03.0515	BC307B		NPN		R...131	57.11.3153	15 kOhm	2X	0.25W	MF
C...25	59.05.2102	1 nF	2.5K	50V PP		D...10	50.04.0125	1N4448		50V SI		Q...30	50.03.0436	BC237B		NPN		R...132	57.11.3103	10 kOhm	2X	0.25W	MF
C...26	59.06.0105	1 uF	10X	50V PTF		D...11	50.04.0125	1N4448		50V SI		Q...31	50.03.0515	BC307B		NPN		R...133	57.11.3221	220 Ohm	2X	0.25W	MF
C...27	59.06.0473	47 nF	10X	50V PTF		D...12	50.04.0125	1N4448		50V SI		Q...32	50.03.0516	BC337		NPN		R...134	57.11.3221	220 Ohm	2X	0.25W	MF
C...28	59.06.0473	47 nF	10X	50V PTF		D...13	50.04.0125	1N4448		50V SI		Q...33	50.03.0516	BC337		NPN		R...135	57.11.3221	220 Ohm	2X	0.25W	MF
C...29	59.22.3470	47 uF	-20X	10V EL		D...14	50.04.0125	1N4448		50V SI		Q...34	50.03.0625	BC327		PNP		R...136	57.11.3221	220 Ohm	2X	0.25W	MF
C...30	59.05.1332	3.3 nF	1K	50V PP		D...15	50.04.0125	1N4448		50V SI		Q...35	50.03.0625	BC327		PNP		R...137	57.11.3662	6.8 kOhm	2X	0.25W	MF
C...31	59.05.1332	3.3 nF	1K	50V PP		D...16	50.04.0125	1N4448		50V SI		Q...36	50.03.0516	BC337		NPN		R...138	57.11.3472	4.7 kOhm	2X	0.25W	MF
C...32	59.05.2102	1 nF	2.5K	50V PP		D...17	50.04.0125	1N4448		50V SI		Q...37	50.03.0516	BC337		NPN		R...139	56.01.8502	5 kOhm	10X	0.5 W	PMG
C...33	59.05.2102	1 nF	2.5K	50V PP		D...18	50.04.0125	1N4448		50V SI		Q...38	50.03.0625	BC327		PNP		R...140	57.11.3229	2.2 Ohm	2X	0.25W	MF
C...34	59.22.0479	4.7 uF	-20X	35V EL		D...19	50.04.0125	1N4448		50V SI		Q...39	50.03.0625	BC327		PNP		R...141	57.11.3229	2.2 Ohm	2X	0.25W	MF
C...35	59.22.0479	4.7 uF	-20X	35V EL		D...20	50.04.0125	1N4448		50V SI		Q...40	50.03.0350	J112		FET		R...142	57.11.3152	1.5 kOhm	2X	0.25W	MF
C...36	59.06.0473	47 nF	10X	50V PTF		D...21	50.04.0125	1N4448		50V SI		R...111	57.11.3152	1.5 kOhm	2X	0.25W	MF	R...143	57.11.3332	3.3 kOhm	2X	0.25W	MF
C...37	59.06.0473	47 nF	10X	50V PTF		D...22	50.04.1121	24 uF	5K	0.4W Zener		R...112	57.11.3152	1.5 kOhm	2X	0.25W	MF	R...144	57.11.3332	3.3 kOhm	2X	0.25W	MF
C...38	59.06.0683	68 nF	10X	50V PTF		D...23	50.04.0125	1N4448		50V SI		R...113	57.11.3392	3.9 kOhm	2X	0.25W	MF	R...145	57.11.3220	22 Ohm	2X	0.25W	MF
C...39	59.22.3470	47 uF	-20X	10V EL		D...24	50.04.0125	1N4448		50V SI		R...114	57.11.3392	3.9 kOhm	2X	0.25W	MF	R...146	57.11.3220	22 Ohm	2X	0.25W	MF
C...40	59.06.5474	470 nF	5K	50V PTF		D...25	50.04.0125	1N4448		50V SI		R...115	57.11.3182	1.8 kOhm	2X	0.25W	MF	R...147	57.11.3220	22 Ohm	2X	0.25W	MF
C...41	59.34.2220	22 pF	10X	50V Cer		D...26	50.04.0125	1N4448		50V SI		R...116	57.11.3223	22 kOhm	2X	0.25W	MF	R...148	57.11.3220	22 Ohm	2X	0.25W	MF
C...42	59.06.0223	22 nF	10X	50V PTF		D...27	50.04.0125	1N4448		50V SI		R...117	57.11.3223	22 kOhm	2X	0.25W	MF	R...149	57.11.3220	22 Ohm	2X	0.25W	MF
C...43	59.34.4221	220 pF	5K	50V Cer		D...28	50.04.1114	10 V	5K	0.4W Zener		R...118	57.11.3821	820 Ohm	2X	0.25W	MF	R...150	57.11.3220	22 Ohm	2X	0.25W	MF
C...44	59.34.2220	22 pF	10X	50V Cer		IC...2	50.09.0105	NE 5532		Dual Op. Amp.		R...119	57.11.3821	820 Ohm	2X	0.25W	MF	R...151	57.11.3220	22 Ohm	2X	0.25W	MF
C...45	59.34.2220	22 pF	10X	50V Cer		IC...5	50.09.0105	NE 5532		Dual Op. Amp.		R...120	57.11.3222	2.2 kOhm	2X	0.25W	MF	R...152	57.11.3220	22 Ohm	2X	0.25W	MF
C...46	59.06.0473	47 nF	10X	50V PTF		IC...6	50.09.0107	RC 4559		Dual Op. Amp.		R...121	57.11.3433	4.3 kOhm	2X	0.25W	MF	R...153	57.11.3229	2.2 Ohm	2X	0.25W	MF
C...47	59.06.0104	100 nF	10X	50V PTF		IC...7	50.09.0107	RC 4559		Dual Op. Amp.		R...122	57.11.3392	3.9 kOhm	2X	0.25W	MF	R...154	57.11.3472	4.7 kOhm	2X	0.25W	MF
C...48	59.22.3470	47 uF	-20X	10V EL		IC...7	50.09.0107	RC 4559		Dual Op. Amp.		R...123	57.11.3432	4.3 kOhm	2X	0.25W	MF	R...155	57.11.3472	4.7 kOhm	2X	0.25W	MF

S T U D E R (00) 90/03/12 GP AUDIO ELECTRONICS BOARD 2/2 PL 1.727.463.84 PAGE 1 S T U D E R (00) 90/03/12 GP AUDIO ELECTRONICS BOARD 2/2 PL 1.727.463.84 PAGE 4 S T U D E R (00) 90/03/12 GP AUDIO ELECTRONICS BOARD 2/2 PL 1.727.463.84 PAGE 7 S T U D E R (00) 90/03/12 GP AUDIO ELECTRONICS BOARD 2/2 PL 1.727.463.84 PAGE 10

IND.	POS.NO.	PART NO.	VALUE	SPECIFICATIONS / EQUIVALENT	MANUF.	IND.	POS.NO.	PART NO.	VALUE	SPECIFICATIONS / EQUIVALENT	MANUF.	IND.	POS.NO.	PART NO.	VALUE	SPECIFICATIONS / EQUIVALENT	MANUF.	IND.	POS.NO.	PART NO.	VALUE	SPECIFICATIONS / EQUIVALENT	MANUF.
C...49	59.22.3470	47 uF	-20X	10V EL		IC...8	50.07.0024	MC 14052		CMOS Analog Switch		R...28	57.11.3101	100 Ohm	2X	0.25W	MF	R...163	57.11.3229	2.2 Ohm	2X	0.25W	MF
C...50	59.06.0104	100 nF	10X	50V PTF		IC...9	50.09.0107	RC 4559		Dual Op. Amp.		R...46	57.11.3472	4.7 kOhm	2X	0.25W	MF	R...164	57.11.3102	1 kOhm	2X	0.25W	MF
C...51	59.06.0104	100 nF	10X	50V PTF		IC...10	50.09.0107	RC 4559		Dual Op. Amp.		R...48	57.11.3473	4.7 kOhm	2X	0.25W	MF	R...165	57.11.3472	4.7 kOhm	2X	0.25W	MF
C...52	59.34.4151	150 pF	5K	50V Cer		IC...11	50.07.0026	AD 7528JN		Dual 8-bit D/A Converter		R...49	57.11.3472	4.7 kOhm	2X	0.25W	MF	R...166	57.11.3472	4.7 kOhm	2X	0.25W	MF
C...53	59.06.0102	1 nF	10X	50V PTF		IC...12	50.07.0002	AD 7524JN		8-bit D/A Converter		R...50	57.11.3132	1.3 kOhm	2X	0.25W	MF	R...167	57.11.3660	68 Ohm	2X	0.25W	MF
C...54	59.05.2102	1 nF	2.5K	50V PP		IC...13	50.09.0107	RC 4559		Dual Op. Amp.		R...51	57.11.3472	4.7 kOhm	2X	0.25W	MF	R...168	57.11.3662	6.8 kOhm	2X	0.25W	MF
C...55	59.34.4680	68 pF	10X	50V Cer		IC...14	50.09.0107	RC 4559		Dual Op. Amp.		R...52	57.11.3473	4.7 kOhm	2X	0.25W	MF	R...169	57.11.3470	47 Ohm	2X	0.25W	MF
C...56	59.06.0472	4.7 nF	10X	50V PTF		IC...15	50.09.0101	LF 353		Dual Op. Amp.		R...53	57.11.3662	6.8 kOhm	2X	0.25W	MF	R...170	57.11.3229	2.2 Ohm	2X	0.25W	MF
C...57	59.06.0103	10 nF	10X	50V PTF		IC...16	50.09.0112	LM 13700		Dual OTA		R...54	57.11.3472	4.7 kOhm	2X	0.25W	MF	R...171	57.11.3470	47 Ohm	2X	0.25W	MF
C...58	59.06.0103	10 nF	10X	50V PTF		IC...17	50.07.0005	MC 14053		CMOS Analog Switch		R...55	57.11.3103	10 kOhm	2X	0.25W	MF	R...172	57.11.3472	4.7 kOhm	2X	0.25W	MF
C...59	59.12.9102	1 nF	1K	50V PP		IC...18	50.07.0024	MC 14052		CMOS Analog Switch		R...56	57.11.3472	4.7 kOhm	2X	0.25W	MF	R...173	57.11.3229	2.			

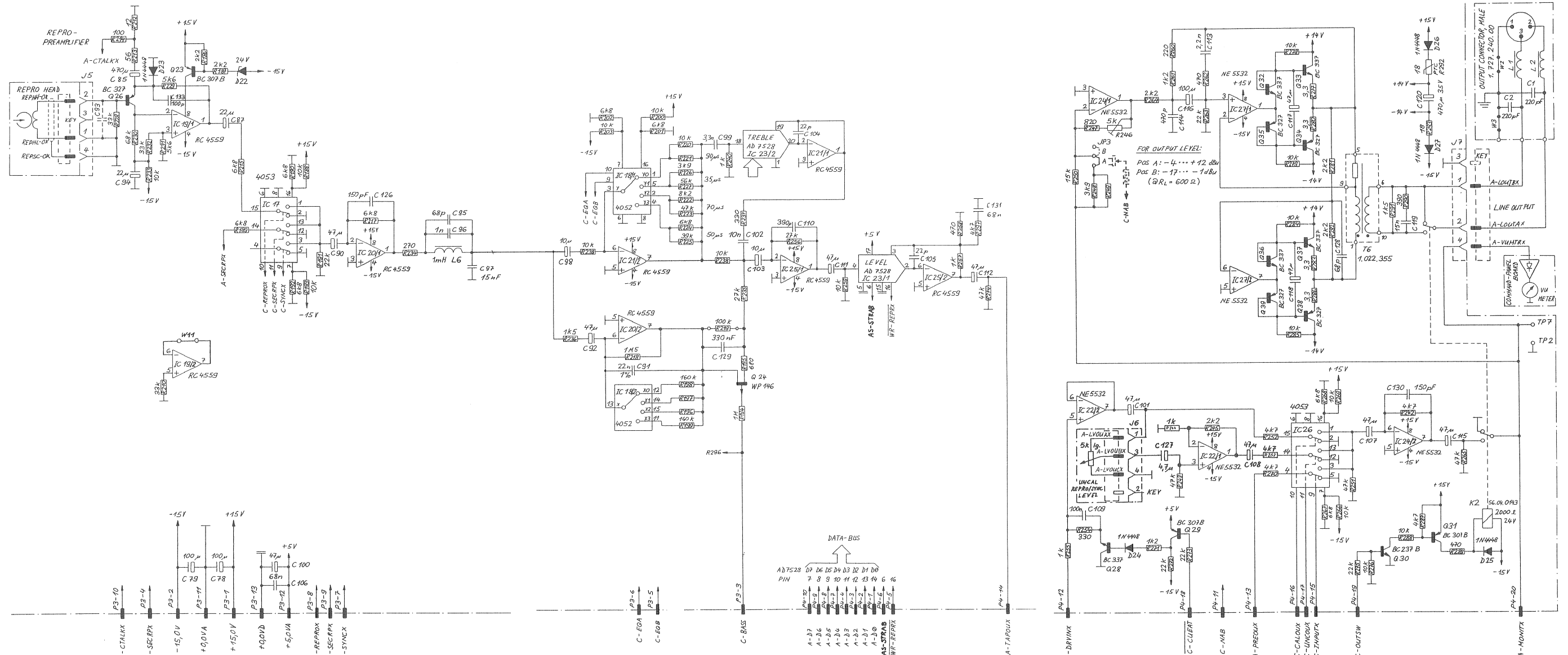
AUDIO ELECTRONICS BOARD 2/2 1.727.463.84

IND.	POS.NO.	PART NO.	VALUE	SPECIFICATIONS / EQUIVALENT	MANUF.	IND.	POS.NO.	PART NO.	VALUE	SPECIFICATIONS / EQUIVALENT	MANUF.
R...	237	57.11.3331	330 Ohm	2%, 0.25W, MF							
R...	238	57.11.3103	10 kOhm	2%, 0.25W, MF							
R...	239	57.11.3103	10 kOhm	2%, 0.25W, MF							
R...	240	57.11.3102	1 kOhm	2%, 0.25W, MF							
R...	242	57.11.3472	4.7 kOhm	2%, 0.25W, MF							
R...	243	57.11.3473	4.7 kOhm	2%, 0.25W, MF							
R...	245	57.11.3222	2.2 kOhm	2%, 0.25W, MF							
R...	246	58.01.0502	5 kOhm	10%, 0.5 W, PMG							
R...	247	57.11.3821	820 Ohm	2%, 0.25W, MF							
R...	248	57.11.3392	3.9 kOhm	2%, 0.25W, MF							
R...	249			not used							
R...	250	57.11.3153	15 kOhm	2%, 0.25W, MF							
R...	251	57.11.3473	4.7 kOhm	2%, 0.25W, MF							
R...	252	57.11.3472	4.7 kOhm	2%, 0.25W, MF							
R...	253	57.11.3472	4.7 kOhm	2%, 0.25W, MF							
R...	254	57.11.3331	330 Ohm	2%, 0.25W, MF							
R...	255	57.11.3102	1 kOhm	2%, 0.25W, MF							
R...	256	57.11.3273	27 kOhm	2%, 0.25W, MF							
R...	257	57.11.3102	1 kOhm	2%, 0.25W, MF							
R...	258	57.11.3471	470 Ohm	2%, 0.25W, MF							
R...	259	57.11.3103	10 kOhm	2%, 0.25W, MF							
R...	260	57.11.3221	220 Ohm	2%, 0.25W, MF							
R...	261	57.11.3122	1.2 kOhm	2%, 0.25W, MF							
R...	262	57.11.3471	470 Ohm	2%, 0.25W, MF							
R...	263	57.11.3223	22 kOhm	2%, 0.25W, MF							
R...	264	57.11.3222	2.2 kOhm	2%, 0.25W, MF							
R...	265	57.11.3473	4.7 kOhm	2%, 0.25W, MF							
R...	266	57.11.3103	10 kOhm	2%, 0.25W, MF							
R...	267	57.11.3682	6.8 kOhm	2%, 0.25W, MF							
R...	268	57.11.3682	6.8 kOhm	2%, 0.25W, MF							
R...	269	57.11.3103	10 kOhm	2%, 0.25W, MF							
R...	270	57.11.3472	4.7 kOhm	2%, 0.25W, MF							
R...	271	57.11.3122	1.2 kOhm	2%, 0.25W, MF							
R...	272	57.11.3223	22 kOhm	2%, 0.25W, MF							
R...	273	57.11.3223	22 kOhm	2%, 0.25W, MF							
R...	274	57.11.3473	4.7 kOhm	2%, 0.25W, MF							
R...	275	57.11.3223	22 kOhm	2%, 0.25W, MF							
						Cer = Ceramic EL = Electrolytic PETP = Polyester PP = Polypropylen MF = Metal Film SI = Silicon					
						MANUFACTURER: ADI = Analog Devices Inc. Mot = Motorola NS = National Semiconductors Ra = Raytheon Sig = Signetics St = Studer					
						ORIG 90/03/12					
S T U D E R (00) 90/03/12 GP AUDIO ELECTRONICS BOARD 2/2 PL 1.727.463.84 PAGE 13						S T U D E R (00) 90/03/12 GP AUDIO ELECTRONICS BOARD 2/2 PL 1.727.463.84 PAGE 16					

IND.	POS.NO.	PART NO.	VALUE	SPECIFICATIONS / EQUIVALENT	MANUF.
R...	276	57.11.3103	10 kOhm	2%, 0.25W, MF	
R...	277	57.11.3399	3.3 Ohm	2%, 0.25W, MF	
R...	278	57.11.3103	10 kOhm	2%, 0.25W, MF	
R...	279	57.11.3103	10 kOhm	2%, 0.25W, MF	
R...	280	57.11.3399	3.3 Ohm	2%, 0.25W, MF	
R...	281	57.11.3222	2.2 kOhm	2%, 0.25W, MF	
R...	282	57.11.3222	2.2 kOhm	2%, 0.25W, MF	
R...	283	57.11.3399	3.3 Ohm	2%, 0.25W, MF	
R...	284	57.11.3103	10 kOhm	2%, 0.25W, MF	
R...	285	57.11.3103	10 kOhm	2%, 0.25W, MF	
R...	286	57.11.3399	3.3 Ohm	2%, 0.25W, MF	
R...	287	57.11.3472	4.7 kOhm	2%, 0.25W, MF	
R...	288	57.11.3103	10 kOhm	2%, 0.25W, MF	
R...	289	57.11.3471	470 Ohm	2%, 0.25W, MF	
R...	290	57.11.3391	390 Ohm	2%, 0.25W, MF	
R...	291	57.11.3152	1.5 kOhm	2%, 0.25W, MF	
R...	292	57.92.1151	18 Ohm	150mA, PTC	
R...	293	57.11.3190	18 Ohm	2%, 0.25W, MF	
R...	294	57.11.3470	4.7 Ohm	2%, 0.25W, MF	
R...	295	57.11.3223	22 kOhm	2%, 0.25W, MF	
R...	296	57.11.3105	1 MOhm	2%, 0.25W, MF	
R...	297	57.11.3472	4.7 kOhm	2%, 0.25W, MF	
T....	2	1.022.451.00	1:0.62	Line Input Trafo	St
T....	3	1.022.271.00		Erase Trafo	St
T....	4	1.022.272.00		Bias Trafo	St
T....	5	1.022.402.00	1:10	Sign Trafo	St
T....	6	1.022.355.00		Line Output Trafo	St
TP...	1	54.02.0320		Plug 2.8*0.8	AMP
TP...	2	54.02.0320		Plug 2.8*0.8	AMP
TP...	3	54.02.0320		Plug 2.8*0.8	AMP
TP...	4	54.02.0320		Plug 2.8*0.8	AMP
TP...	5	54.02.0320		Plug 2.8*0.8	AMP
TP...	6	54.02.0320		Plug 2.8*0.8	AMP
TP...	7	54.02.0320		Plug 2.8*0.8	AMP
S T U D E R (00) 90/03/12 GP AUDIO ELECTRONICS BOARD 2/2 PL 1.727.463.84 PAGE 14					

IND.	POS.NO.	PART NO.	VALUE	SPECIFICATIONS / EQUIVALENT	MANUF.
W....	3	64.01.0106		Wire Bridge	
W....	4			not used	
W....	5	64.01.0106		Wire Bridge	
W....	6			not used	
W....	7	64.01.0106		Wire Bridge	
W....	8	64.01.0106		Wire Bridge	
W....	10	64.01.0106		Wire Bridge	
W....	12	64.01.0106		Wire Bridge	
W....	13	1.010.329.64		Wire Bridge	
XIC...	2	53.03.0166		8-Pole IC Socket	
XIC...	5	53.03.0166		8-Pole IC Socket	
XIC...	6	53.03.0166		8-Pole IC Socket	
XIC...	7	53.03.0166		8-Pole IC Socket	
XIC...	8	53.03.0166		8-Pole IC Socket	
XIC...	9	53.03.0166		8-Pole IC Socket	
XIC...	10	53.03.0166		8-Pole IC Socket	
XIC...	11	53.03.0165		20-Pole IC Socket	
XIC...	12	53.03.0168		16-Pole IC Socket	
XIC...	13	53.03.0166		8-Pole IC Socket	
XIC...	14	53.03.0166		8-Pole IC Socket	
XIC...	15	53.03.0166		8-Pole IC Socket	
XIC...	16	53.03.0168		16-Pole IC Socket	
XIC...	17	53.03.0168		16-Pole IC Socket	
XIC...	18	53.03.0166		16-Pole IC Socket	
XIC...	19	53.03.0166		8-Pole IC Socket	
XIC...	20	53.03.0166		8-Pole IC Socket	
XIC...	21	53.03.0166		8-Pole IC Socket	
XIC...	22	53.03.0166		8-Pole IC Socket	
XIC...	23	53.03.0165		20-Pole IC Socket	
XIC...	24	53.03.0166		8-Pole IC Socket	
XIC...	25	53.03.0166		8-Pole IC Socket	
XIC...	26	53.03.0168		16-Pole IC Socket	
XIC...	27	53.03.0166		8-Pole IC Socket	
S T U D E R (00) 90/03/12 GP AUDIO ELECTRONICS BOARD 2/2 PL 1.727.463.84 PAGE 15					

AUDIO ELECTRONICS BOARD PBO 1.727.465.82

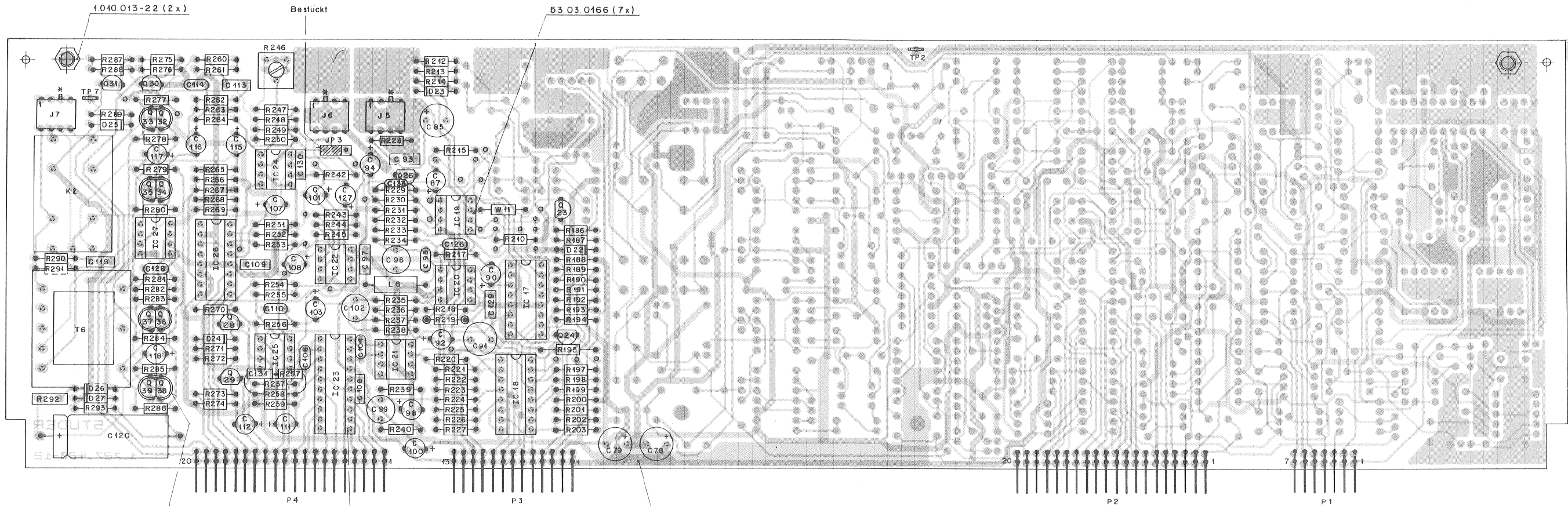


3.7.89 GP	A 807 GR 41/42	PAGE 1 OF 3
STUDER	AUDIO ELECTRONICS BOARD PBO	SC 1.727.465.82

3.7.89GP	A 807 GR 41/GR 42	PAGE 2 OF 3
STUDER	AUDIO ELECTRONICS BOARD PBO	SC 1.727.465.82

3.7.89 GP	A 807 GR 41/GR 42	PAGE 3 OF 3
STUDER	AUDIO ELECTRONICS BOARD PBO	SC 1.727.465.82

AUDIO ELECTRONICS BOARD PBO 1.727.465.82



R246 = OUTPUT LEVEL ADJUSTMENT
 JP3 OUTPUT LEVEL SENSITIVITY
 TP2 0.0 V
 TP7 VU METER SIGNAL (0.775 V = 0 VU)

FACTORY STANDARD SETTING

IND.	POS.NO.	PART NO.	VALUE	SPECIFICATIONS / EQUIVALENT	MANUF.	IND.	POS.NO.	PART NO.	VALUE	SPECIFICATIONS / EQUIVALENT	MANUF.	IND.	POS.NO.	PART NO.	VALUE	SPECIFICATIONS / EQUIVALENT	MANUF.	IND.	POS.NO.	PART NO.	VALUE	SPECIFICATIONS / EQUIVALENT	MANUF.
C...	78	59.22.5101	100 uF	-20% 25V EL		C...	127	59.22.8479	4.7 uF	-20% 35V EL		NP...	7	50.20.2001	4 pcs	Clip, 24T092		NP...	195	57.11.3681	680 Ohm	2%, 0.25W, MF	
C...	79	59.22.5101	100 uF	-20% 25V EL		C...	128	59.34.4680	68 pF	10% 50V Cer		NP...	10	1.727.465.10	1 pc	No. Label		NP...	196			not used	
C...	85	59.22.2471	470 uF	-20% 6.3V EL		C...	129	59.06.5334	330 pF	5% 50V PETF		NP...	11	1.727.420.12	1 pc	Audio Electronics PCB		NP...	197			not used	
C...	87	59.22.5220	22 uF	-20% 25V EL		C...	130	59.34.4151	150 pF	10% 50V Cer		NP...	13	1.010.013.22	2 pcs	Rivet Mat R3+3		NP...	198	57.11.3164	160 kOhm	2%, 0.25W, MF	
C...	89			not used		C...	131	59.06.0683	68 pF	10% 50V Cer		NP...	15	43.01.0108	1 pc	ESB Warning Label		NP...	199	57.11.3164	160 kOhm	2%, 0.25W, MF	
C...	90	59.22.3470	47 uF	-20% 10V EL		C...	133	59.34.4101	100 pF	5% 50V Cer		NP...	16	53.03.0228	2 pcs	1-Pole Socket (R219)		NP...	200	57.11.3103	10 kOhm	2%, 0.25W, MF	
C...	91	59.05.1223	22 uF	1% 50V EL		D...	22	50.04.1121	24 V	5% 0.4W Zener		P...	1	54.01.0223	7-Pole	CIS Pin Strip		NP...	201	57.11.3682	6.8 kOhm	2%, 0.25W, MF	
C...	92	59.22.3470	47 uF	-20% 10V EL		D...	23	50.04.0125	1N4448	50V SI		P...	2	54.01.0261	20-Pole	CIS Pin Strip		NP...	202	57.11.3682	6.8 kOhm	2%, 0.25W, MF	
C...	93			not used		D...	24	50.04.0125	1N4448	50V SI		P...	3	54.01.0273	13-Pole	CIS Pin Strip		NP...	203	57.11.3103	10 kOhm	2%, 0.25W, MF	
C...	94	59.22.5220	22 uF	-20% 25V EL		D...	25	50.04.0125	1N4448	50V SI		P...	4	54.01.0261	20-Pole	CIS Pin Strip		NP...	210	57.11.3333	33 kOhm	2%, 0.25W, MF	
C...	95	59.34.4680	68 pF	10% 50V Cer		D...	26	50.04.0125	1N4448	50V SI		P...	4	54.01.0261	20-Pole	CIS Pin Strip		NP...	212	57.11.3120	12 Ohm	2%, 0.25W, MF	
C...	96	59.05.2102	1 nF	2.5% 50V PP		D...	27	50.04.0125	1N4448	50V SI		Q...	23	50.03.0515	BC307B	BC557B, BC560B	PNP	NP...	213	57.11.3560	56 Ohm	2%, 0.25W, MF	
C...	97	59.06.0153	15 nF	10% 50V PETF		D...	27	50.04.0125	1N4448	50V SI		Q...	24	50.03.0329	WF146		Not	NP...	214	57.11.3101	100 Ohm	2%, 0.25W, MF	
C...	98	59.22.6100	10 nF	-20% 35V EL		IC...	17	50.07.0015	MC 14053	CMOS Analog Switch	Not	Q...	24	50.03.0625	BC327			NP...	215	57.11.3682	6.8 kOhm	2%, 0.25W, MF	
C...	99	59.05.2332	3.3 uF	2.5% 10V PP		IC...	18	50.07.0024	MC 14052	CMOS Analog Switch	Not	Q...	28	50.03.0340	BC337-25			NP...	218	57.11.5155	1.5 MOhm	5%, 0.25W, MF	
C...	100	59.22.3470	47 uF	-20% 10V EL		IC...	19	50.09.0107	RC 4559	Dual Op. Amp.	Ra	Q...	29	50.03.0515	BC307B	BC557B, BC560B	NPN	NP...	219	57.11.3104	100 kOhm	2%, 0.25W, MF, with socket	
C...	101	59.22.3470	47 uF	-20% 10V EL		IC...	21	50.09.0107	RC 4559	Dual Op. Amp.	Ra	Q...	31	50.03.0515	BC307B	BC557B, BC560B	NPN	NP...	220	57.11.3103	10 kOhm	2%, 0.25W, MF	
C...	102	59.05.2103	10 nF	2.5% 50V PP		IC...	22	50.09.0105	NE 5532	Dual Op. Amp.	Sig	Q...	32	50.03.0516	BC337	matched with Q33, NPN		NP...	221	57.11.3104	100 kOhm	2%, 0.25W, MF	
C...	103	59.22.6100	10 nF	-20% 35V EL		IC...	23	50.07.0026	AD 7528J3	Dual 8-bit D/A Converter	AD1	Q...	33	50.03.0516	BC337	matched with Q32, NPN		NP...	222	57.11.3682	6.8 kOhm	2%, 0.25W, MF	
C...	104	59.34.2220	22 pF	10% 50V Cer		IC...	24	50.09.0105	NE 5532	Dual Op. Amp.	Ra	Q...	34	50.03.0625	BC327	matched with Q35, PNP		NP...	224	57.11.3682	6.8 kOhm	2%, 0.25W, MF	
C...	105	59.34.2220	22 pF	10% 50V Cer		IC...	25	50.09.0107	RC 4559	Dual Op. Amp.	Ra	Q...	35	50.03.0625	BC327	matched with Q34, PNP		NP...	225	57.11.3392	3.9 kOhm	2%, 0.25W, MF	
C...	106	59.06.0683	68 pF	10% 50V PETF		IC...	26	50.07.0015	MC 14053	CMOS Analog Switch	Not	Q...	36	50.03.0516	BC337	matched with Q37, NPN		NP...	226	57.11.3392	3.9 kOhm	2%, 0.25W, MF	
C...	107	59.22.3470	47 uF	-20% 10V EL		IC...	27	50.09.0105	NE 5532	Dual Op. Amp.	Sig	Q...	37	50.03.0516	BC337	matched with Q36, NPN		NP...	227	57.11.3563	56 kOhm	2%, 0.25W, MF	
C...	108	59.22.3470	47 uF	-20% 10V EL		J...	5	54.01.0304	4-Pole	CIS Socket Strip	AMP	Q...	38	50.03.0625	BC327	matched with Q39, PNP		NP...	228	57.11.3333	33 kOhm	2%, 0.25W, MF	
C...	109	59.06.0104	100 nF	10% 50V PETF		J...	6	54.01.0304	4-Pole	CIS Socket Strip	AMP	Q...	39	50.03.0625	BC327	matched with Q38, PNP		NP...	229	57.11.3562	5.6 kOhm	2%, 0.25W, MF	
C...	110	59.34.5391	390 pF	10% 50V Cer		J...	7	54.01.0304	4-Pole	CIS Socket Strip	AMP	R...	186	57.11.3222	2.2 kOhm	2%, 0.25W, MF		NP...	230	57.11.3683	68 kOhm	2%, 0.25W, MF	
C...	111	59.22.3470	47 uF	-20% 10V EL		JP...	3	54.01.0021		Bridge		R...	187	57.11.3222	2.2 kOhm	2%, 0.25W, MF		NP...	231	57.11.3562	5.6 kOhm	2%, 0.25W, MF	
C...	112	59.22.3470	47 uF	-20% 10V EL		K...	2	56.04.0143	2u	Relay, 24V, 2000 Ohm		R...	188	57.11.3103	10 kOhm	2%, 0.25W, MF		NP...	232	57.11.3333	33 kOhm	2%, 0.25W, MF	
C...	113	59.06.0222	2.2 nF	10% 50V PETF		L...	6	62.01.0128	1mH			R...	189	57.11.3682	6.8 kOhm	2%, 0.25W, MF		NP...	234	57.11.3271	270 Ohm	2%, 0.25W, MF	
C...	114	59.34.5471	470 pF	10% 50V Cer		MP...	3	54.01.0020	3 pcs	Contact Pin JF3		R...	190	57.11.3682	6.8 kOhm	2%, 0.25W, MF		NP...	235	57.11.3273	27 kOhm	2%, 0.25W, MF	
C...	115	59.22.3470	47 uF	-20% 10V EL								R...	191	57.11.3223	22 kOhm	2%, 0.25W, MF		NP...	236	57.11.3152	1.5 kOhm	2%, 0.25W, MF	
C...	116	59.22.3101	100 nF	-20% 10V EL								R...	192	57.11.3682	6.8 kOhm	2%, 0.25W, MF		NP...	237	57.11.3331	330 Ohm	2%, 0.25W, MF	
C...	117	59.22.3470	47 uF	-20% 10V EL								R...	193	57.11.3103	10 kOhm	2%, 0.25W, MF		NP...	238	57.11.3103	10 kOhm	2%, 0.25W, MF	
C...	118	59.22.3470	47 uF	-20% 10V EL								R...	194	57.11.3105	10 kOhm	2%, 0.25W, MF		NP...	239	57.11.3103	10 kOhm	2%, 0.25W, MF	
C...	119	59.06.0153	15 nF	10% 50V PETF																			
C...	120	59.25.5471	470 nF	-20% 35V EL																			
C...	126	59.34.4151	150 pF	10% 50V Cer																			

AUDIO ELECTRONICS BOARD PBO 1.727.465.82

IND.	POS.NO.	PART NO.	VALUE	SPECIFICATIONS / EQUIVALENT	MANUF.
R...	240	57.11.3102	1 kOhm	2%, 0.25W, MF	
R...	242	57.11.3472	4.7 kOhm	2%, 0.25W, MF	
R...	243	57.11.3473	47 kOhm	2%, 0.25W, MF	
R...	244	57.11.3102	1 kOhm	2%, 0.25W, MF	
R...	245	57.11.3222	2.2 kOhm	2%, 0.25W, MF	
R...	246	58.01.8502	5 kOhm	10%, 0.5 W, FMG	
R...	247	57.11.3821	820 Ohm	2%, 0.25W, MF	
R...	248	57.11.3392	3.9 kOhm	2%, 0.25W, MF	
R...	249			not used	
R...	250	57.11.3153	15 kOhm	2%, 0.25W, MF	
R...	251	57.11.3473	47 kOhm	2%, 0.25W, MF	
R...	252	57.11.3472	4.7 kOhm	2%, 0.25W, MF	
R...	253	57.11.3472	4.7 kOhm	2%, 0.25W, MF	
R...	254	57.11.3331	330 Ohm	2%, 0.25W, MF	
R...	255	57.11.3102	1 kOhm	2%, 0.25W, MF	
R...	256	57.11.3273	27 kOhm	2%, 0.25W, MF	
R...	257	57.11.3102	1 kOhm	2%, 0.25W, MF	
R...	258	57.11.3471	470 Ohm	2%, 0.25W, MF	
R...	259	57.11.3103	10 kOhm	2%, 0.25W, MF	
R...	260	57.11.3221	220 Ohm	2%, 0.25W, MF	
R...	261	57.11.3122	1.2 kOhm	2%, 0.25W, MF	
R...	262	57.11.3471	470 Ohm	2%, 0.25W, MF	
R...	263	57.11.3223	22 kOhm	2%, 0.25W, MF	
R...	264	57.11.3222	2.2 kOhm	2%, 0.25W, MF	
R...	265	57.11.3473	47 kOhm	2%, 0.25W, MF	
R...	266	57.11.3103	10 kOhm	2%, 0.25W, MF	
R...	267	57.11.3682	6.8 kOhm	2%, 0.25W, MF	
R...	268	57.11.3682	6.8 kOhm	2%, 0.25W, MF	
R...	269	57.11.3103	10 kOhm	2%, 0.25W, MF	
R...	270	57.11.3472	4.7 kOhm	2%, 0.25W, MF	
R...	271	57.11.3122	1.2 kOhm	2%, 0.25W, MF	
R...	272	57.11.3223	22 kOhm	2%, 0.25W, MF	
R...	273	57.11.3223	22 kOhm	2%, 0.25W, MF	
R...	274	57.11.3473	47 kOhm	2%, 0.25W, MF	
R...	275	57.11.3223	22 kOhm	2%, 0.25W, MF	
R...	276	57.11.3103	10 kOhm	2%, 0.25W, MF	
R...	277	57.11.3339	3.3 Ohm	2%, 0.25W, MF	

S T U D E R (00) 89/07/03 GP AUDIO ELECTRONICS BOARD PBO PL 1.727.465.82 PAGE 5

IND.	POS.NO.	PART NO.	VALUE	SPECIFICATIONS / EQUIVALENT	MANUF.
R...	278	57.11.3103	10 kOhm	2%, 0.25W, MF	
R...	279	57.11.3103	10 kOhm	2%, 0.25W, MF	
R...	280	57.11.3339	3.3 Ohm	2%, 0.25W, MF	
R...	281	57.11.3222	2.2 kOhm	2%, 0.25W, MF	
R...	282	57.11.3222	2.2 kOhm	2%, 0.25W, MF	
R...	283	57.11.3339	3.3 Ohm	2%, 0.25W, MF	
R...	284	57.11.3103	10 kOhm	2%, 0.25W, MF	
R...	285	57.11.3103	10 kOhm	2%, 0.25W, MF	
R...	286	57.11.3339	3.3 Ohm	2%, 0.25W, MF	
R...	287	57.11.3472	4.7 kOhm	2%, 0.25W, MF	
R...	288	57.11.3103	10 kOhm	2%, 0.25W, MF	
R...	289	57.11.3471	470 Ohm	2%, 0.25W, MF	
R...	290	57.11.3391	390 Ohm	2%, 0.25W, MF	
R...	291	57.11.3152	1.5 kOhm	2%, 0.25W, MF	
R...	292	57.92.1151	18 Ohm	2%, 150mA, FTC	
R...	293	57.11.3180	18 Ohm	2%, 0.25W, MF	
R...	297	57.11.3472	4.7 kOhm	2%, 0.25W, MF	
T.....	6	1.022.355.00		Line Output Trafo	St
TP....	2	54.02.0320		Plug 2.8x0.8	AMP
TP....	7	54.02.0320		Plug 2.8x0.8	AMP
W....	11	57.11.3000		Wire Bridge	
XIC..	17	53.03.0168	16-Pole	IC Socket	
XIC..	18	53.03.0168	16-Pole	IC Socket	
XIC..	19	53.03.0166	8-Pole	IC Socket	
XIC..	20	53.03.0166	8-Pole	IC Socket	
XIC..	21	53.03.0166	8-Pole	IC Socket	
XIC..	22	53.03.0166	8-Pole	IC Socket	
XIC..	23	53.03.0165	20-Pole	IC Socket	
XIC..	24	53.03.0166	8-Pole	IC Socket	
XIC..	25	53.03.0166	8-Pole	IC Socket	
XIC..	26	53.03.0168	16-Pole	IC Socket	
XIC..	27	53.03.0166	8-Pole	IC Socket	

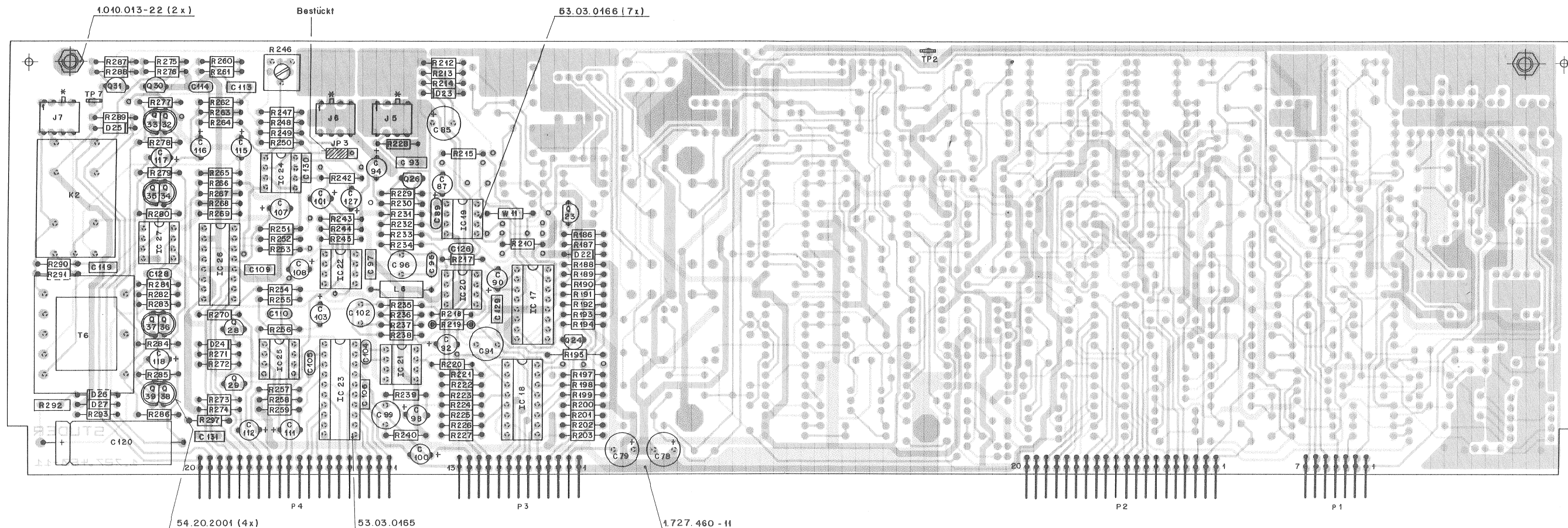
S T U D E R (00) 89/07/03 GP AUDIO ELECTRONICS BOARD PBO PL 1.727.465.82 PAGE 6

IND.	POS.NO.	PART NO.	VALUE	SPECIFICATIONS / EQUIVALENT	MANUF.
Cer = Ceramic EL = Electrolytic PETP = Polyester					
FP = Polypropylen MF = Metal Film SI = Silicon					
MANUFACTURER: ADI = Analog Devices Inc. Mot = Motorola					
NS = National Semiconductors Ra = Raytheon					
Sig = Signetics St = Studer					

ORIG 89/07/03

S T U D E R (00) 89/07/03 GP AUDIO ELECTRONICS BOARD PBO PL 1.727.465.82 PAGE 7

AUDIO ELECTRONICS BOARD PBO 1.727.465.83



R246 = OUTPUT LEVEL ADJUSTMENT  FACTORY STANDARD SETTING
 JP3 OUTPUT LEVEL SENSITIVITY
 TP2 0.0 V
 TP7 VU METER SIGNAL (0.775 V = 0 VU)

IND.	POS.NO.	PART NO.	VALUE	SPECIFICATIONS / EQUIVALENT	MANUF.	IND.	POS.NO.	PART NO.	VALUE	SPECIFICATIONS / EQUIVALENT	MANUF.	IND.	POS.NO.	PART NO.	VALUE	SPECIFICATIONS / EQUIVALENT	MANUF.	IND.	POS.NO.	PART NO.	VALUE	SPECIFICATIONS / EQUIVALENT	MANUF.
C...78	59.22.5101	100 uF	-20%	25V EL		C...127	59.22.8479	4.7 uF	-20%	35V EL		NP...10	1.727.465.10	1 pce	No. Label		St	R...196				not used	
C...79	59.22.5101	100 uF	-20%	25V EL		C...128	59.34.4680	68 pF	10%	50V Cer		NP...11	1.727.460.11	1 pce	Audio Electronics PCB		St	R...197				not used	
C...85	59.22.2471	470 uF	-20%	6.3V EL		C...129	59.06.5334	330 pF	5%	50V PETP		NP...13	1.010.013.22	2 pce	Rivet Mat 8x3			R...198	57.11.3224	220 kOhm	2%	0.25W, MF	
C...87	59.22.5220	22 uF	-20%	25V EL		C...130	59.34.4151	150 pF	10%	50V Cer		NP...15	43.01.0108	1 pce	ESE Warning Label			R...199	57.11.3224	220 kOhm	2%	0.25W, MF	
C...89	59.34.4101	100 pF	5%	50V Cer		C...131	59.06.0683	68 pF	10%	50V PETP		NP...16	53.03.0228	2 pce	1-Pole Socket (R219)			R...200	57.11.3103	10 kOhm	2%	0.25W, MF	
C...90	59.22.3470	47 uF	-20%	10V EL		D...22	50.04.1121	24 V	5%	0.4W Zener		P...1	54.01.0223	7-Pole	CIS Pin Strip			R...201	57.11.3103	6.8 kOhm	2%	0.25W, MF	
C...91	59.05.1223	22 nF	1%	50V PP		D...23	50.04.0125	184448	50V SI		P...2	54.01.0261	20-Pole	CIS Pin Strip			R...202	57.11.3682	6.8 kOhm	2%	0.25W, MF		
C...92	59.26.2100	10 uF	20%	10V SAL		D...24	50.04.0125	184448	50V SI		P...3	54.01.0273	13-Pole	CIS Pin Strip			R...203	57.11.3103	10 kOhm	2%	0.25W, MF		
C...93		not used				D...25	50.04.0125	184448	50V SI		P...4	54.01.0261	20-Pole	CIS Pin Strip			R...210	57.11.3333	33 kOhm	2%	0.25W, MF		
C...94	59.22.5220	22 uF	-20%	25V EL		D...26	50.04.0125	184448	50V SI		Q...23	50.03.0515	BC307B	BC557B, BC560B	PNP		R...212	57.11.3120	12 Ohm	2%	0.25W, MF		
C...95	59.34.4680	68 pF	10%	50V Cer		D...27	50.04.0125	184448	50V SI		Q...24	50.03.0329	WF146		PNP	Not	R...213	57.11.3560	56 Ohm	2%	0.25W, MF		
C...96	59.05.2102	1 nF	2.5%	50V PP		IC...17	50.07.0015	MC 14053	CMOS Analog Switch	Met	Q...25	50.03.0625	BC327		PNP		R...214	57.11.3101	100 Ohm	2%	0.25W, MF		
C...97	59.06.0153	15 nF	10%	50V PETP		IC...18	50.07.0024	MC 14052	CMOS Analog Switch	Met	Q...26	50.03.0436	BC237B	BC547B, BC550B	NPN		R...215	57.11.3682	6.8 kOhm	2%	0.25W, MF		
C...98	59.22.6100	10 uF	-20%	35V EL		IC...19	50.09.0107	RC 4559	Dual Op. Amp.	Ra	Q...28	50.03.0340	BC337-25		PNP		R...217	57.11.3682	6.8 kOhm	2%	0.25W, MF		
C...99	59.05.2332	3.3 nF	2.5%	50V PP		IC...20	50.09.0107	RC 4559	Dual Op. Amp.	Ra	Q...29	50.03.0515	BC307B	BC557B, BC560B	NPN		R...218	57.11.3394	390 kOhm	5%	0.25W, MF		
C...100	59.22.3470	47 uF	-20%	10V EL		IC...21	50.09.0107	RC 4559	Dual Op. Amp.	Ra	Q...31	50.03.0515	BC307B	BC557B, BC560B	NPN		R...219	57.11.3104	100 kOhm	2%	0.25W, MF, with socket		
C...102	59.05.2103	10 nF	2.5%	50V PP		IC...22	50.09.0105	NE 5532	Dual Op. Amp.	Sig	Q...32	50.03.0516	BC337	matched with Q33, PNP			R...221	57.11.3103	10 kOhm	2%	0.25W, MF		
C...103	59.22.6100	10 uF	-20%	35V EL		IC...23	50.07.0026	AD 7526JN	Dual 8-bit D/A Converter	ADI	Q...33	50.03.0516	BC337	matched with Q32, NPN			R...222	57.11.3822	8.2 kOhm	2%	0.25W, MF		
C...104	59.34.2220	22 pF	10%	50V Cer		IC...24	50.09.0105	NE 5532	Dual Op. Amp.	Sig	Q...34	50.03.0516	BC337	matched with Q35, PNP			R...223	57.11.3473	47 kOhm	2%	0.25W, MF		
C...105	59.34.2220	22 pF	10%	50V Cer		IC...25	50.09.0107	RC 4559	Dual Op. Amp.	Ra	Q...35	50.03.0625	BC327	matched with Q34, PNP			R...224	57.11.3682	6.8 kOhm	2%	0.25W, MF		
C...106	59.06.0683	68 nF	10%	50V PETP		IC...26	50.07.0015	MC 14053	CMOS Analog Switch	Met	Q...36	50.03.0516	BC337	matched with Q37, NPN			R...225	57.11.3393	39 kOhm	2%	0.25W, MF		
C...107	59.22.3470	47 uF	-20%	10V EL		IC...27	50.09.0105	NE 5532	Dual Op. Amp.	Sig	Q...37	50.03.0516	BC337	matched with Q36, NPN			R...226	57.11.3392	3.9 kOhm	2%	0.25W, MF		
C...108	59.22.3470	47 uF	-20%	10V EL		J...5	54.01.0304	4-Pole	CIS Socket Strip	ANP	Q...38	50.03.0625	BC327	matched with Q39, PNP			R...227	57.11.3563	56 kOhm	2%	0.25W, MF		
C...109	59.06.0104	100 nF	10%	50V PETP		J...6	54.01.0304	4-Pole	CIS Socket Strip	ANP	Q...39	50.03.0625	BC327	matched with Q38, PNP			R...228	57.11.3333	33 kOhm	2%	0.25W, MF		
C...110	59.34.5391	390 pF	10%	50V Cer		J...7	54.01.0304	4-Pole	CIS Socket Strip	ANP	R...186	57.11.3222	2.2 kOhm	2%	0.25W, MF		R...229	57.11.3562	5.6 kOhm	2%	0.25W, MF		
C...111	59.22.3470	47 uF	-20%	10V EL		JP...3	54.01.0021		Bridge		R...187	57.11.3222	2.2 kOhm	2%	0.25W, MF		R...230	57.11.3683	68 kOhm	2%	0.25W, MF		
C...112	59.22.3470	47 uF	-20%	10V EL		K...2	56.04.0143	2kΩ	Relay, 24V, 2000 Ohm		R...188	57.11.3103	10 kOhm	2%	0.25W, MF		R...231	57.11.3562	5.6 kOhm	2%	0.25W, MF		
C...113	59.06.0222	2.2 nF	10%	50V PETP		L...6	62.01.0128	1mH			R...189	57.11.3682	6.8 kOhm	2%	0.25W, MF		R...232	57.11.3333	33 kOhm	2%	0.25W, MF		
C...114	59.34.5471	470 pF	10%	50V Cer		MP...3	54.01.0020	3 pce	Contact Pin JP3		R...190	57.11.3682	6.8 kOhm	2%	0.25W, MF		R...233	57.11.3103	10 kOhm	2%	0.25W, MF		
C...115	59.22.3470	47 uF	-20%	10V EL		MP...7	50.20.2001	4 pce	Clip, 2xT092		R...191	57.11.3223	22 kOhm	2%	0.25W, MF		R...234	57.11.3271	270 Ohm	2%	0.25W, MF		
C...116	59.22.3101	100 uF	-20%	10V EL							R...192	57.11.3223	22 kOhm	2%	0.25W, MF		R...235	57.11.3273	27 kOhm	2%	0.25W, MF		
C...117	59.22.3470	47 uF	-20%	10V EL							R...193	57.11.3682	6.8 kOhm	2%	0.25W, MF		R...236	57.11.3152	1.5 kOhm	2%	0.25W, MF		
C...118	59.22.3470	47 uF	-20%	10V EL							R...194	57.11.3103	10 kOhm	2%	0.25W, MF		R...237	57.11.3331	330 Ohm	2%	0.25W, MF		
C...119	59.06.0153	15 nF	10%	50V PETP							R...195	57.11.3103	10 kOhm	2%	0.25W, MF		R...238	57.11.3103	10 kOhm	2%	0.25W, MF		
C...120	59.25.5471	470 pF	-20%	35V EL													R...239	57.11.3103	10 kOhm	2%	0.25W, MF		
C...126	59.34.4151	150 pF	10%	50V Cer													R...240	57.11.3102	1 kOhm	2%	0.25W, MF		

AUDIO ELECTRONICS BOARD PBO 1.727.465.83

IND.	POS. NO.	PART NO.	VALUE	SPECIFICATIONS / EQUIVALENT	MANUF.
R...242		57.11.3472	4.7 kOhm	2K, 0.25W, MF	
R...243		57.11.3473	47 kOhm	2K, 0.25W, MF	
R...244		57.11.3102	4.7 kOhm	2K, 0.25W, MF	
R...245		57.11.3222	2.2 kOhm	2K, 0.25W, MF	
R...246		58.01.8502	5 kOhm	10K, 0.5 W, FMG	
R...247		57.11.3821	820 Ohm	2K, 0.25W, MF	
R...248		57.11.3392	3.9 kOhm	2K, 0.25W, MF	
R...249				not used	
R...250		57.11.3153	15 kOhm	2K, 0.25W, MF	
R...251		57.11.3473	47 kOhm	2K, 0.25W, MF	
R...252		57.11.3472	4.7 kOhm	2K, 0.25W, MF	
R...253		57.11.3472	4.7 kOhm	2K, 0.25W, MF	
R...254		57.11.3331	330 Ohm	2K, 0.25W, MF	
R...255		57.11.3102	1 kOhm	2K, 0.25W, MF	
R...256		57.11.3273	27 kOhm	2K, 0.25W, MF	
R...257		57.11.3102	1 kOhm	2K, 0.25W, MF	
R...258		57.11.3471	470 Ohm	2K, 0.25W, MF	
R...259		57.11.3103	10 kOhm	2K, 0.25W, MF	
R...260		57.11.3221	220 Ohm	2K, 0.25W, MF	
R...261		57.11.3122	1.2 kOhm	2K, 0.25W, MF	
R...262		57.11.3471	470 Ohm	2K, 0.25W, MF	
R...263		57.11.3223	22 kOhm	2K, 0.25W, MF	
R...264		57.11.3222	2.2 kOhm	2K, 0.25W, MF	
R...265		57.11.3473	47 kOhm	2K, 0.25W, MF	
R...266		57.11.3103	10 kOhm	2K, 0.25W, MF	
R...267		57.11.3682	6.8 kOhm	2K, 0.25W, MF	
R...268		57.11.3223	22 kOhm	2K, 0.25W, MF	
R...269		57.11.3103	10 kOhm	2K, 0.25W, MF	
R...270		57.11.3472	4.7 kOhm	2K, 0.25W, MF	
R...271		57.11.3122	1.2 kOhm	2K, 0.25W, MF	
R...272		57.11.3223	22 kOhm	2K, 0.25W, MF	
R...273		57.11.3223	22 kOhm	2K, 0.25W, MF	
R...274		57.11.3473	47 kOhm	2K, 0.25W, MF	
R...275		57.11.3223	22 kOhm	2K, 0.25W, MF	
R...276		57.11.3103	10 kOhm	2K, 0.25W, MF	
R...277		57.11.3339	3.3 Ohm	2K, 0.25W, MF	
R...278		57.11.3103	10 kOhm	2K, 0.25W, MF	

S T U D E R (00) 90/03/12 GP AUDIO ELECTRONICS BOARD PBO PL 1.727.465.83 PAGE 5

IND.	POS. NO.	PART NO.	VALUE	SPECIFICATIONS / EQUIVALENT	MANUF.
R...279		57.11.3103	10 kOhm	2K, 0.25W, MF	
R...280		57.11.3339	3.3 Ohm	2K, 0.25W, MF	
R...281		57.11.3222	2.2 kOhm	2K, 0.25W, MF	
R...282		57.11.3222	2.2 kOhm	2K, 0.25W, MF	
R...283		57.11.3339	3.3 Ohm	2K, 0.25W, MF	
R...284		57.11.3103	10 kOhm	2K, 0.25W, MF	
R...285		57.11.3103	10 kOhm	2K, 0.25W, MF	
R...286		57.11.3339	3.3 Ohm	2K, 0.25W, MF	
R...287		57.11.3472	4.7 kOhm	2K, 0.25W, MF	
R...288		57.11.3103	10 kOhm	2K, 0.25W, MF	
R...289		57.11.3471	470 Ohm	2K, 0.25W, MF	
R...290		57.11.3391	390 Ohm	2K, 0.25W, MF	
R...291		57.11.3152	1.5 kOhm	2K, 0.25W, MF	
R...292		57.92.1151	18 Ohm	150ma, ETC	
R...293		57.11.3180	18 Ohm	2K, 0.25W, MF	
R...297		57.11.3472	4.7 kOhm	2K, 0.25W, MF	
T....6		1.022.355.00		Line Output Trafo	St
TP....2		54.02.0320		Plug 2.8x0.8	AMP
TP....7		54.02.0320		Plug 2.8x0.8	AMP
W....11		57.11.3000		Wire Bridge	
XIC..17		53.03.0168	16-Pole	IC Socket	
XIC..18		53.03.0168	16-Pole	IC Socket	
XIC..19		53.03.0166	8-Pole	IC Socket	
XIC..20		53.03.0166	8-Pole	IC Socket	
XIC..21		53.03.0166	8-Pole	IC Socket	
XIC..22		53.03.0166	8-Pole	IC Socket	
XIC..23		53.03.0165	20-Pole	IC Socket	
XIC..24		53.03.0166	8-Pole	IC Socket	
XIC..25		53.03.0166	8-Pole	IC Socket	
XIC..26		53.03.0168	16-Pole	IC Socket	
XIC..27		53.03.0166	8-Pole	IC Socket	

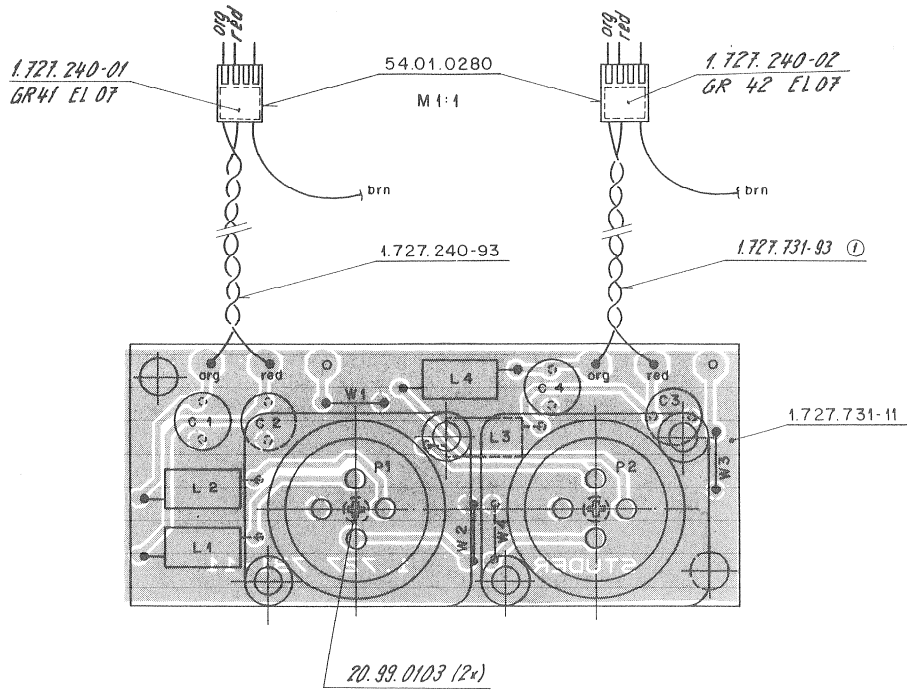
S T U D E R (00) 90/03/12 GP AUDIO ELECTRONICS BOARD PBO PL 1.727.465.83 PAGE 6

IND.	POS. NO.	PART NO.	VALUE	SPECIFICATIONS / EQUIVALENT	MANUF.
Cer = Ceramic EL = Electrolytic PETP = Polyester					
PP = Polypropylen MF = Metal Film SI = Silicon					
MANUFACTURER: ADI = Analog Devices Inc. Mot = Motorola					
NS = National Semiconductors Re = Raytheon					
Sig = Signetics St = Studer					

ORIG 90/03/12

S T U D E R (00) 90/03/12 GP AUDIO ELECTRONICS BOARD PBO PL 1.727.465.83 PAGE 7

OUTPUT CONNECTOR (2CH) 1.727.731.00



IND.	POS.NO.	PART NO.	VALUE	SPECIFICATIONS / EQUIVALENT	MANUF.
C.....1		59.05.1221	220 pF	1 % 630V PP	
C.....2		59.05.1221	220 pF	1 % 630V PP	
C.....3		59.05.1221	220 pF	1 % 630V PP	
C.....4		59.05.1221	220 pF	1 % 630V PP	
L.....1		62.01.0115		Interference Coil, Note 1	Ph
L.....2		62.01.0115		Interference Coil, Note 1	Ph
L.....3		62.01.0115		Interference Coil, Note 1	Ph
L.....4		62.01.0115		Interference Coil, Note 1	Ph
NP....1		20.99.0103	2 pcs	Screw D 2.2 x 5	
NP....2		54.01.0280	2 pcs	4-Pole CIS-Case	AMP
NP....3		1.727.240.01	1 pce	Text Label 'GR41 EL07'	ST
NP....4		1.727.240.02	1 pce	Text Label 'GR42 EL07'	ST
NP....5		1.727.240.93	2 pcs	Wiring List	ST
NP....6		1.727.731.10	1 pce	Re. Label	ST
NP....7		1.727.731.11	1 pce	OUTPUT CONNECTOR PCB	ST
P.....1		54.21.2001		XLR, Male	Neu
P.....2		54.21.2001		XLR, Male	Neu
W.....1		1.010.323.64		Wire Bridge	
W.....2		1.010.323.64		Wire Bridge	
W.....3		1.010.323.64		Wire Bridge	
W.....4		1.010.323.64		Wire Bridge	

Note 1: Philips 4312 020 36700

PP= Polypropylen

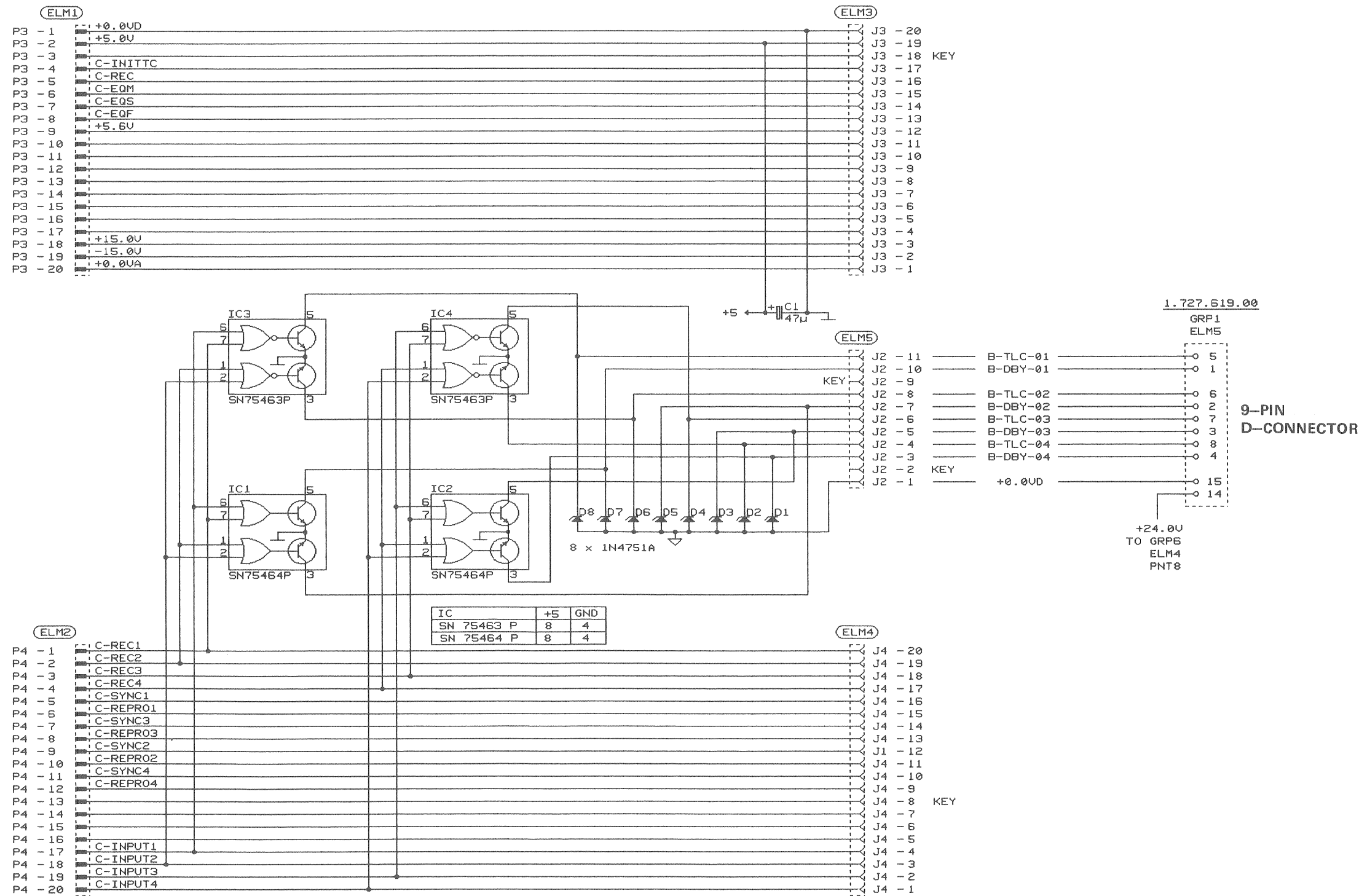
MANUFACTURER: AMP= AMP, Neu= Neutrik, Ph= Philips, ST= Studer

ORIG 89/03/06

S T U D E R (00) 89/03/06 DS OUTPUT CONNECTOR

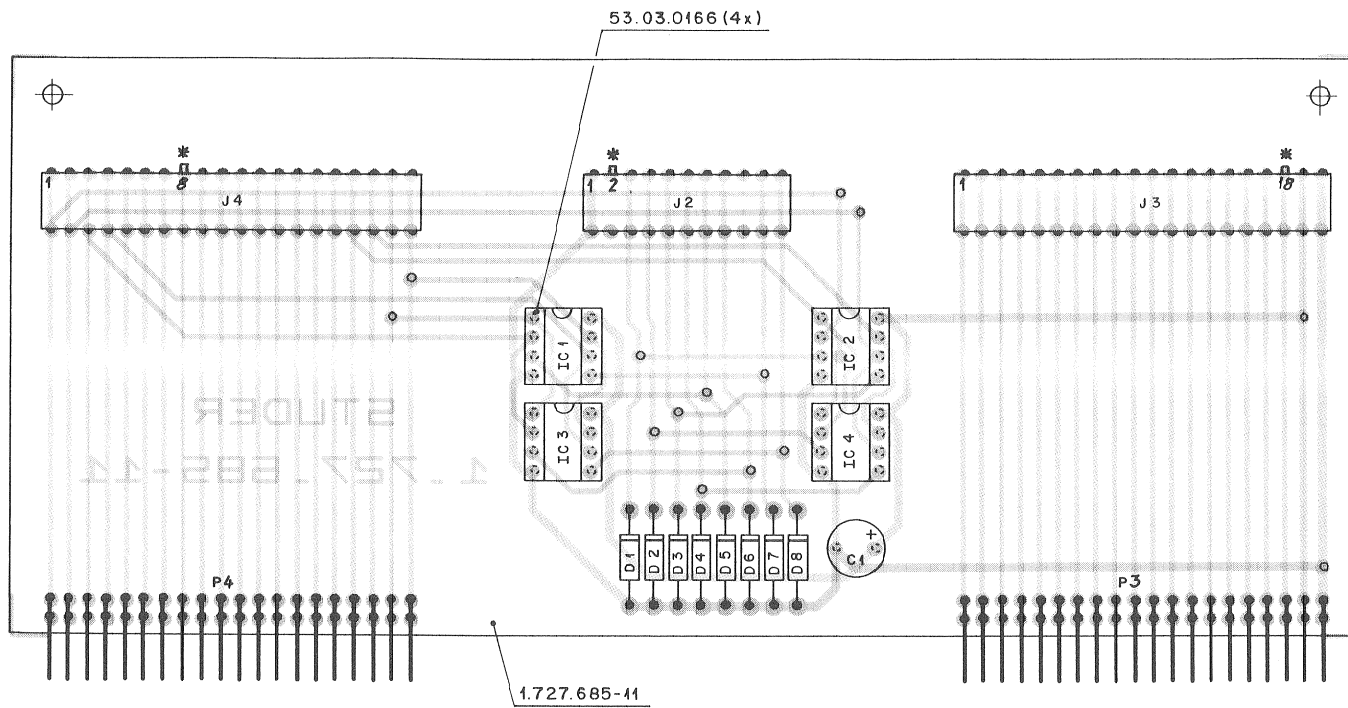
PL 1.727.731.00 PAGE 1

NRS CONTROL BOARD 1.727.685.00



© 13.01.89 DS	① 14.11.90 DS	○	○	○
A 807-2 / A 807-4		GRP 45		PAGE 1 OF 1
STUDER		NRS CONTROL BOARD		SCH 1.727.685-00

NRS CONTROL BOARD 1.727.685.00



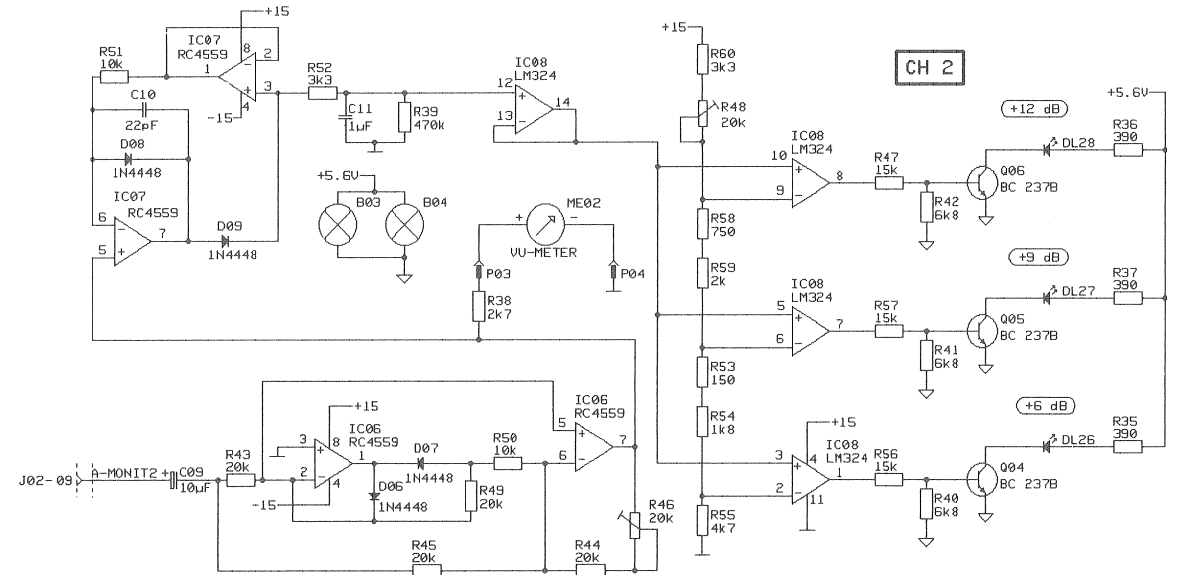
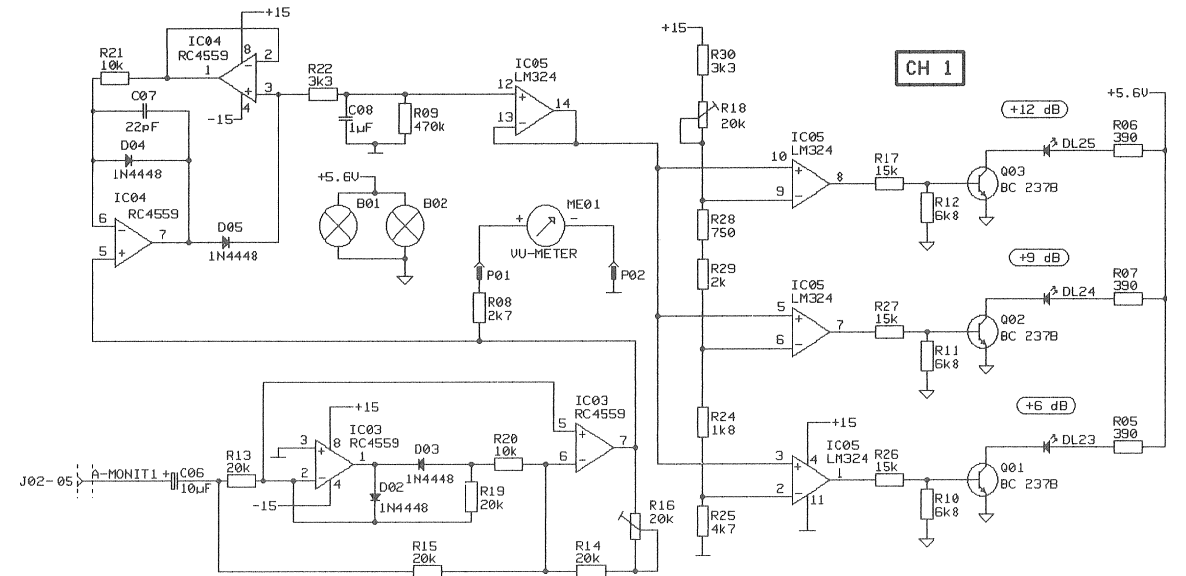
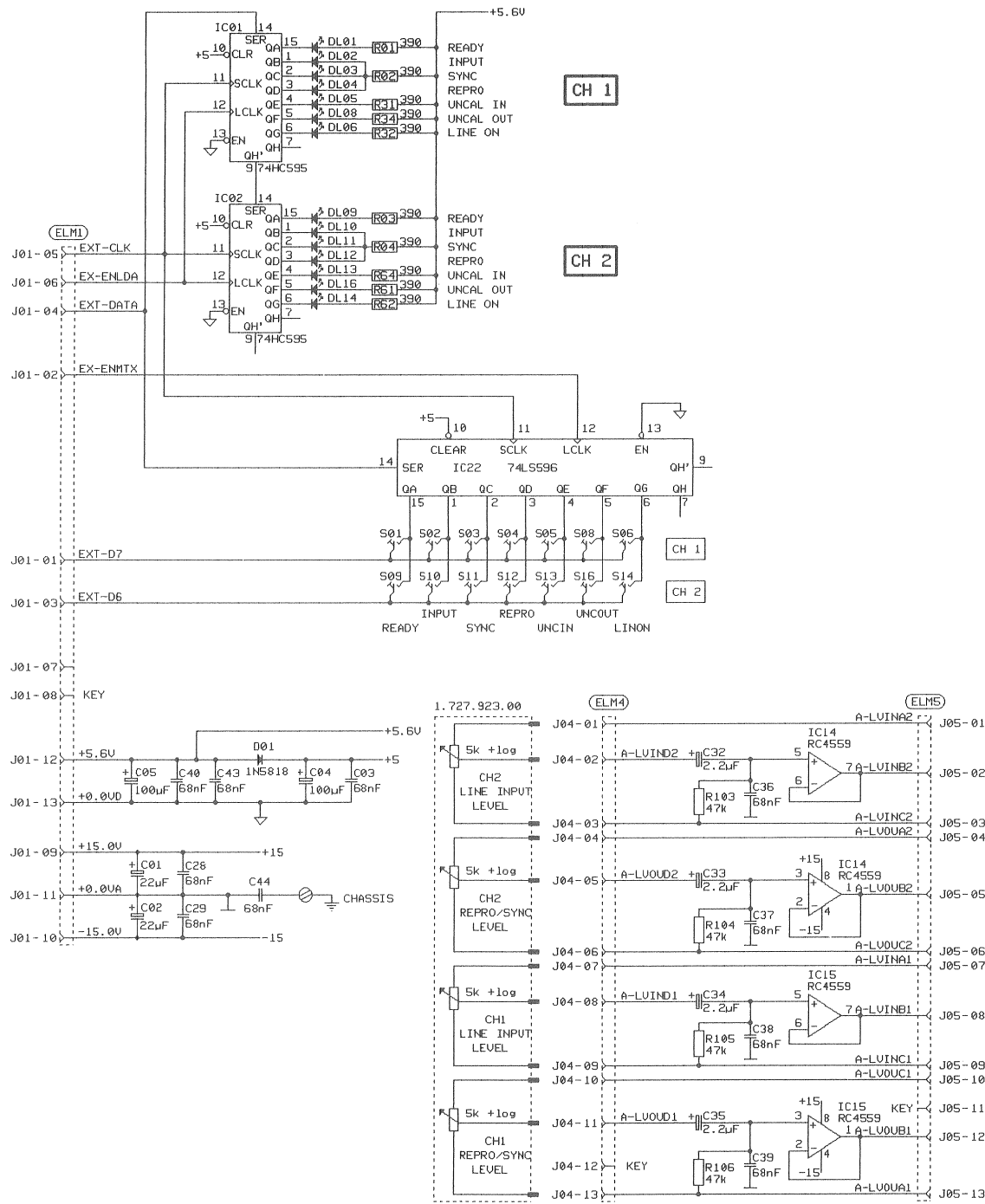
IND.	POS.NO.	PART NO.	VALUE	SPECIFICATIONS / EQUIVALENT	MANUF.
C....1		59.22.5470	47 uF	-20% 25V EL	
D....1		50.04.1506	30 V Z	BZX61C30, BZV85C30, ZY30, 1N4751A	ITT, Mot, Ph
D....2		50.04.1506	30 V Z	BZX61C30, BZV85C30, ZY30, 1N4751A	ITT, Mot, Ph
D....3		50.04.1506	30 V Z	BZX61C30, BZV85C30, ZY30, 1N4751A	ITT, Mot, Ph
D....4		50.04.1506	30 V Z	BZX61C30, BZV85C30, ZY30, 1N4751A	ITT, Mot, Ph
D....5		50.04.1506	30 V Z	BZX61C30, BZV85C30, ZY30, 1N4751A	ITT, Mot, Ph
D....6		50.04.1506	30 V Z	BZX61C30, BZV85C30, ZY30, 1N4751A	ITT, Mot, Ph
D....7		50.04.1506	30 V Z	BZX61C30, BZV85C30, ZY30, 1N4751A	ITT, Mot, Ph
D....8		50.04.1506	30 V Z	BZX61C30, BZV85C30, ZY30, 1N4751A	ITT, Mot, Ph
IC....1		50.05.0204	SN75464P	Dual NOR-Driver s.c.	NSC, TI
IC....2		50.05.0204	SN75464P	Dual NOR-Driver s.c.	NSC, TI
IC....3		50.05.0203	SN75463P	Dual OR-Driver s.c.	NSC, TI
IC....4		50.05.0203	SN75463P	Dual OR-Driver s.c.	NSC, TI
J....2		54.01.0308	11-Pole	CIS Socket Strip	AMP
J....3		54.01.0248	20-Pole	CIS Socket Strip	AMP
J....4		54.01.0248	20-Pole	CIS Socket Strip	AMP
NP....1		1.727.685.10	1 pce	No. Label	
NP....2		1.727.685.11	1 pce	NRS Control PCB	
P....3		54.01.0261	20-Pole	CIS Pin Strip	AMP
P....4		54.01.0261	20-Pole	CIS Pin Strip	AMP
XIC...1		53.03.0166	8-Pole	IC-Socket	
XIC...2		53.03.0166	8-Pole	IC-Socket	
XIC...3		53.03.0166	8-Pole	IC-Socket	
XIC...4		53.03.0166	8-Pole	IC-Socket	

MANUFACTURER: ITT=Intersatell, Mot=Motorola, TI=Texas Instruments
NSC=National Semiconductor Corp., Ph=Philips

ORIG 88/09/08

STUDER (00) 88/09/08 DS NRS CONTRL BOARD 4CH PL 1.727.685.00 PAGE 1

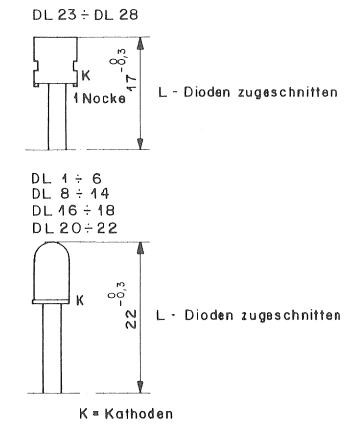
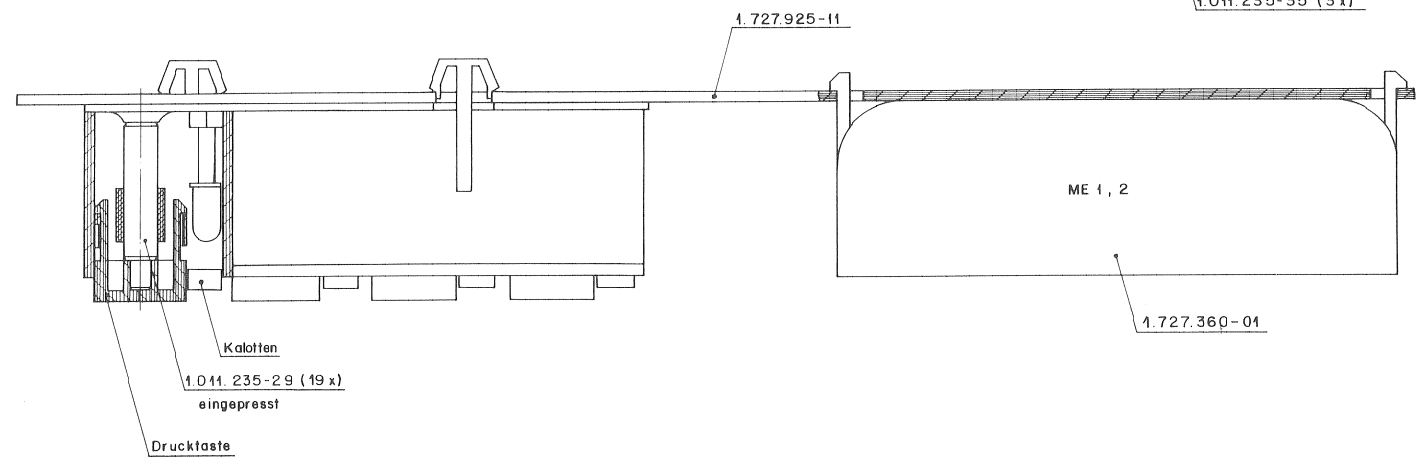
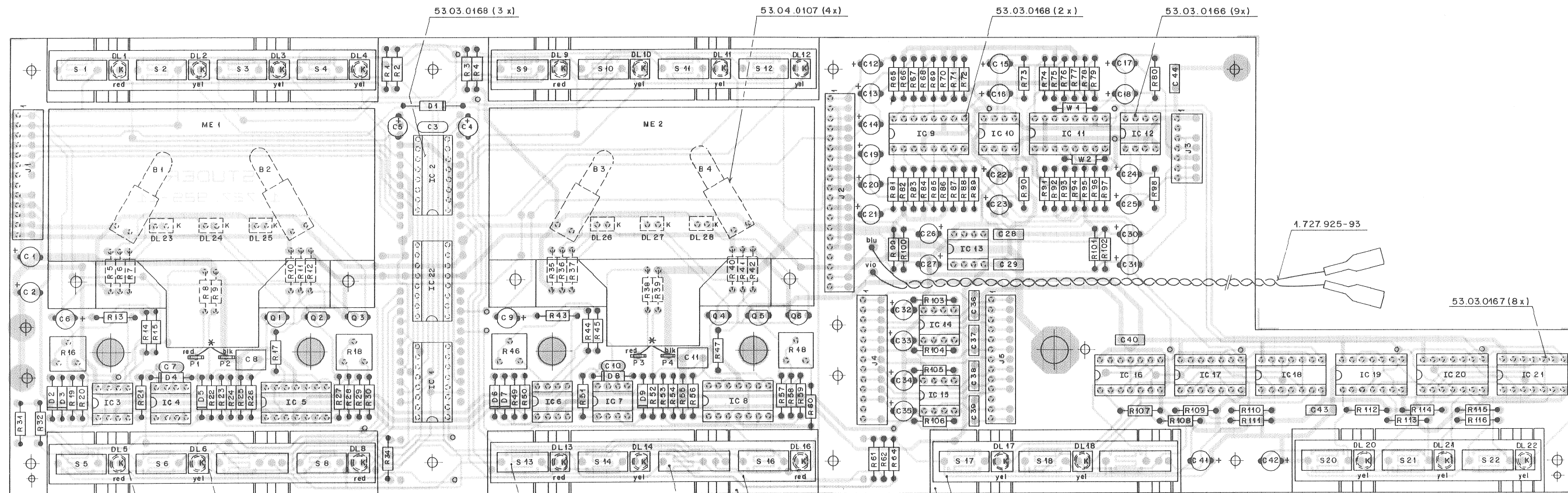
VU-PANEL BOARD (2CH) 1.727.928.00



18.07.89 DS	05.03.90 DS	15.11.90 DS		
A 807 VUK GRP 92		PAGE 1 OF 4		
STUDER		UU-PANEL BOARD 2CH	SC	1.727.928-00

18.07.89 DS	05.03.90 DS	15.11.90 DS		
A 807 VUK GRP 92		PAGE 2 OF 4		
STUDER		UU-PANEL BOARD 2CH	SC	1.727.928-00

VU-PANEL BOARD (2CH) 1.727.928.00

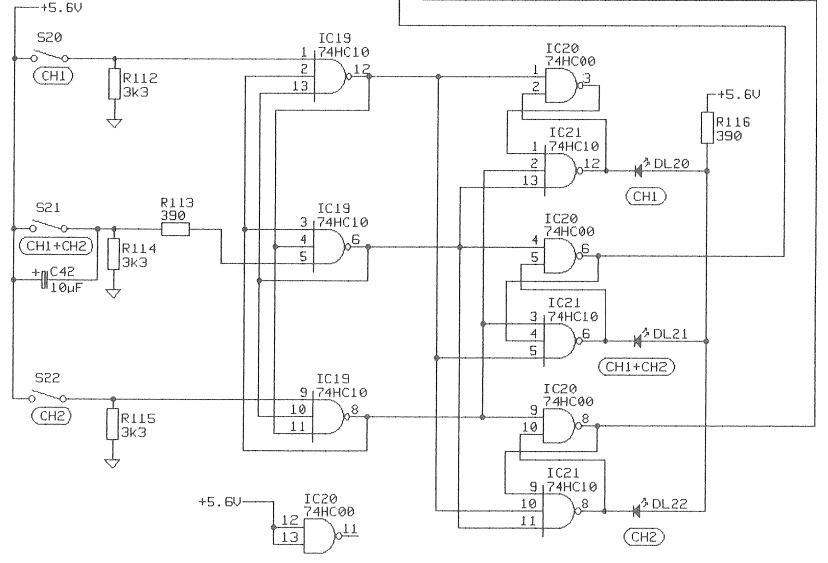
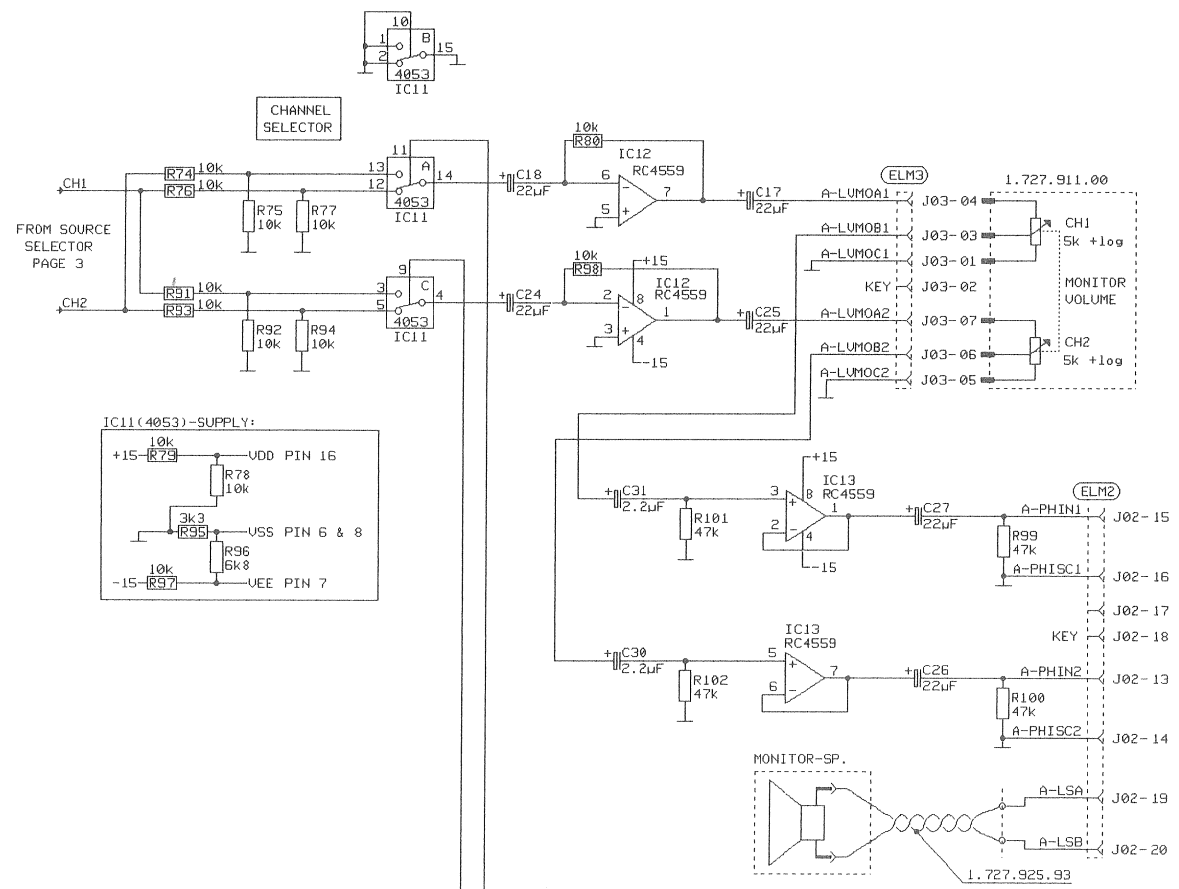
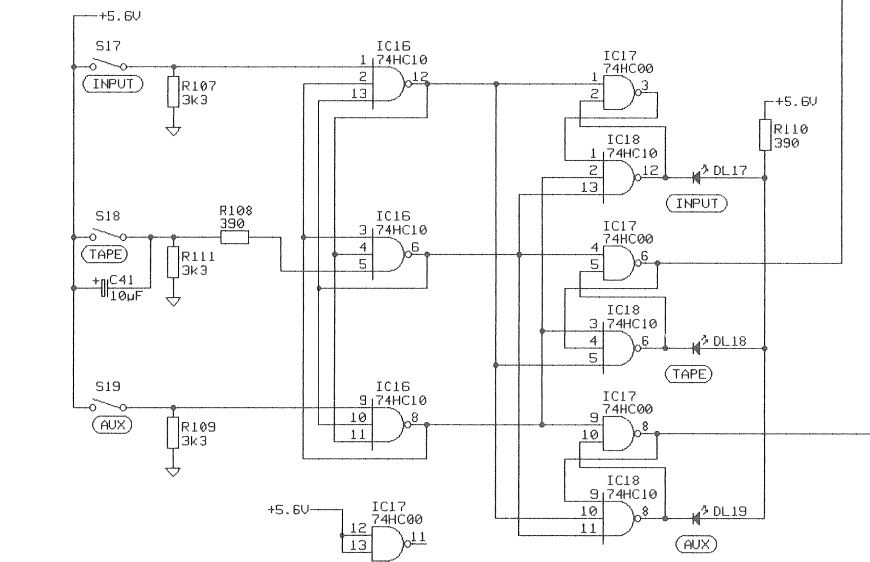
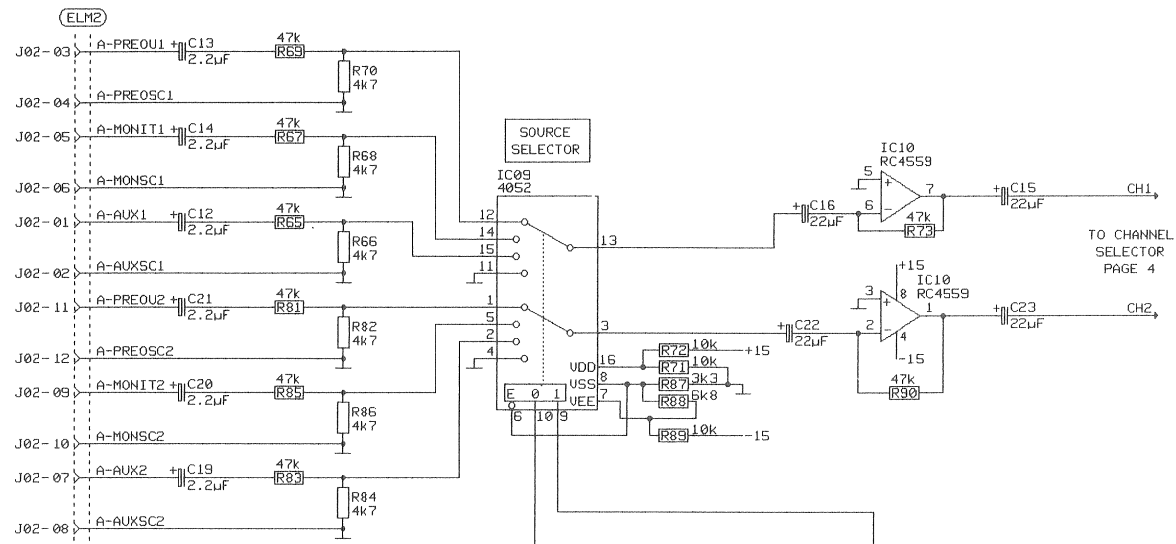


STUDER A807 MKII

VU-PANEL BOARD (2CH) 1.727.928.00

IND.	POS.NO.	PART NO.	VALUE	SPECIFICATIONS / EQUIVALENT	MANUF.	IND.	POS.NO.	PART NO.	VALUE	SPECIFICATIONS / EQUIVALENT	MANUF.	IND.	POS.NO.	PART NO.	VALUE	SPECIFICATIONS / EQUIVALENT	MANUF.	
B.....1	51.02.0144	6 V	0.03 A	Bulb		J.....2	54.01.0237	20-pole	CIS Socket Strip	AMP	R...72	57.11.3103	10 kOhm	1X, 0.25W	MF			
B.....2	51.02.0144	6 V	0.03 A	Bulb		J.....3	54.01.0243	7-pole	CIS Socket Strip	AMP	R...73	57.11.3473	47 kOhm	1X, 0.25W	MF			
B.....3	51.02.0144	6 V	0.03 A	Bulb		J.....4	54.01.0299	13-pole	CIS Socket Strip	AMP	R...74	57.11.3103	10 kOhm	1X, 0.25W	MF			
B.....4	51.02.0144	6 V	0.03 A	Bulb		J.....5	54.01.0299	13-pole	CIS Socket Strip	AMP	R...75	57.11.3103	10 kOhm	1X, 0.25W	MF			
C.....1	59.22.5220	22 uF	-20X 25 V	EL		ME....1	1.727.360.01		VU Meter	ST	R...76	57.11.3103	10 kOhm	1X, 0.25W	MF			
C.....2	59.22.5220	22 uF	-20X 25 V	EL		ME....2	1.727.360.01		VU Meter	ST	R...77	57.11.3103	10 kOhm	1X, 0.25W	MF			
C.....3	59.06.0683	68 nF	10X 50 V	PETP		MP....1	43.01.0108	1 pcs	ESE Warning label		R...78	57.11.3103	10 kOhm	1X, 0.25W	MF			
C.....4	59.22.3101	100 uF	-20X 10 V	EL		MP....2	53.03.0221	26 pcs	2-pole LED Socket		R...79	57.11.3103	10 kOhm	1X, 0.25W	MF			
C.....5	59.22.3101	100 uF	-20X 10 V	EL		MP....3	1.011.235.03	2 pcs	Push button case 3a	ST	R...80	57.11.3103	10 kOhm	1X, 0.25W	MF			
C.....6	59.22.6100	10 uF	-20X 25 V	EL		MP....4	1.011.235.04	4 pcs	Push button case 4a	ST	R...81	57.11.3473	47 kOhm	1X, 0.25W	MF			
C.....7	59.34.2220	22 pF	10X 50 V	CER		MP....5	1.011.235.23	2 pcs	Conductive rubber 3a	ST	R...82	57.11.3472	4.7 kOhm	1X, 0.25W	MF			
C.....8	59.06.0105	1 uF	10X 50 V	PETP		MP....6	1.011.235.24	4 pcs	Conductive rubber 4a	ST	R...83	57.11.3473	47 kOhm	1X, 0.25W	MF			
C.....9	59.22.6100	10 uF	-20X 25 V	EL		MP....7	1.011.235.29	19 pcs	Bolt	ST	R...84	57.11.3472	4.7 kOhm	1X, 0.25W	MF			
C.....10	59.34.2220	22 pF	10X 50 V	CER		MP....8	1.011.235.30	19 pcs	Push button 14x5	ST	R...85	57.11.3473	47 kOhm	1X, 0.25W	MF			
C.....11	59.06.0105	1 uF	10X 50 V	PETP		MP....9	1.011.235.32	6 pcs	Calotte red	ST	R...86	57.11.3472	4.7 kOhm	1X, 0.25W	MF			
C.....12	59.22.8229	2.2 uF	-20X 25 V	EL		MP....10	1.011.235.33	13 pcs	Calotte yel	ST	R...87	57.11.3332	3.3 kOhm	1X, 0.25W	MF			
C.....13	59.22.8229	2.2 uF	-20X 25 V	EL		MP....11	1.011.235.35	3 pcs	Dummy push button 19A5	ST	R...88	57.11.3103	10 kOhm	1X, 0.25W	MF			
C.....14	59.22.8229	2.2 uF	-20X 25 V	EL		MP....12	1.727.362.93	2 pcs	Wiring List VU-Meter	ST	R...89	57.11.3103	10 kOhm	1X, 0.25W	MF			
C.....15	59.22.5220	22 uF	-20X 25 V	EL		MP....13	1.727.928.10	1 pcs	No. Label	ST	R...90	57.11.3473	47 kOhm	1X, 0.25W	MF			
C.....16	59.22.5220	22 uF	-20X 25 V	EL		MP....14	1.727.928.11	1 pcs	VU PANEL PCB	ST	R...91	57.11.3103	10 kOhm	1X, 0.25W	MF			
C.....17	59.22.5220	22 uF	-20X 25 V	EL		MP....15	1.727.925.93	1 pcs	Wiring List VU-Panel Board	ST	R...92	57.11.3103	10 kOhm	1X, 0.25W	MF			
C.....18	59.22.5220	22 uF	-20X 25 V	EL							R...93	57.11.3103	10 kOhm	1X, 0.25W	MF			
C.....19	59.22.8229	2.2 uF	-20X 25 V	EL							R...94	57.11.3103	10 kOhm	1X, 0.25W	MF			
C.....20	59.22.8229	2.2 uF	-20X 25 V	EL							R...95	57.11.3332	3.3 kOhm	1X, 0.25W	MF			
C.....21	59.22.8229	2.2 uF	-20X 25 V	EL							R...96	57.11.3682	6.8 kOhm	1X, 0.25W	MF			
C.....22	59.22.8229	2.2 uF	-20X 25 V	EL							R...97	57.11.3103	10 kOhm	1X, 0.25W	MF			
C.....23	59.22.5220	22 uF	-20X 25 V	EL							R...98	57.11.3103	10 kOhm	1X, 0.25W	MF			
C.....24	59.22.5220	22 uF	-20X 25 V	EL							R...99	57.11.3473	47 kOhm	1X, 0.25W	MF			
C.....25	59.22.5220	22 uF	-20X 25 V	EL							R...100	57.11.3473	47 kOhm	1X, 0.25W	MF			
C.....26	59.22.5220	22 uF	-20X 25 V	EL							R...101	57.11.3473	47 kOhm	1X, 0.25W	MF			
C.....27	59.22.5220	22 uF	-20X 25 V	EL							R...102	57.11.3473	47 kOhm	1X, 0.25W	MF			
C.....28	59.06.0683	68 nF	10X 50 V	PETP							R...103	57.11.3473	47 kOhm	1X, 0.25W	MF			
C.....29	59.06.0683	68 nF	10X 50 V	PETP							R...104	57.11.3103	10 kOhm	1X, 0.25W	MF			
C.....30	59.22.8229	2.2 uF	-20X 25 V	EL							R...105	57.11.3473	47 kOhm	1X, 0.25W	MF			
C.....31	59.22.8229	2.2 uF	-20X 25 V	EL							R...106	57.11.3473	47 kOhm	1X, 0.25W	MF			
C.....32	59.22.8229	2.2 uF	-20X 25 V	EL							R...107	57.11.3332	3.3 kOhm	1X, 0.25W	MF			
											R...108	57.11.3391	390 Ohm	1X, 0.25W	MF			
S T U D E R (01) 90/01/11 DS VU PANEL BOARD 2CH PL 1.727.928.00 PAGE 1						S T U D E R (01) 90/01/11 DS VU PANEL BOARD 2CH PL 1.727.928.00 PAGE 4						S T U D E R (01) 90/01/11 DS VU PANEL BOARD 2CH PL 1.727.928.00 PAGE 7						
C.....33	59.22.8229	2.2 uF	-20X 25 V	EL		R.....2	57.11.3391	390 Ohm	1X, 0.25W	MF	R...109	57.11.3332	3.3 kOhm	1X, 0.25W	MF			
C.....34	59.22.8229	2.2 uF	-20X 25 V	EL		R.....3	57.11.3391	390 Ohm	1X, 0.25W	MF	R...110	57.11.3391	390 Ohm	1X, 0.25W	MF			
C.....35	59.22.8229	2.2 uF	-20X 25 V	EL		R.....4	57.11.3391	390 Ohm	1X, 0.25W	MF	R...111	57.11.3332	3.3 kOhm	1X, 0.25W	MF			
C.....36	59.06.0683	68 nF	10X 50 V	PETP		R.....5	57.11.3391	390 Ohm	1X, 0.25W	MF	R...112	57.11.3332	3.3 kOhm	1X, 0.25W	MF			
C.....37	59.06.0683	68 nF	10X 50 V	PETP		R.....6	57.11.3391	390 Ohm	1X, 0.25W	MF	R...113	57.11.3391	390 Ohm	1X, 0.25W	MF			
C.....38	59.06.0683	68 nF	10X 50 V	PETP		R.....7	57.11.3391	390 Ohm	1X, 0.25W	MF	R...114	57.11.3332	3.3 kOhm	1X, 0.25W	MF			
C.....39	59.06.0683	68 nF	10X 50 V	PETP		R.....8	57.11.3272	2.7 kOhm	1X, 0.25W	MF	R...115	57.11.3332	3.3 kOhm	1X, 0.25W	MF			
C.....40	59.06.0683	68 nF	10X 50 V	PETP		R.....9	57.11.3474	470 kOhm	1X, 0.25W	MF	R...116	57.11.3391	390 Ohm	1X, 0.25W	MF			
C.....41	59.22.6100	10 uF	-20X 25 V	EL		R.....10	57.11.3682	6.8 kOhm	1X, 0.25W	MF								
C.....42	59.22.6100	10 uF	-20X 25 V	EL		R.....11	57.11.3682	6.8 kOhm	1X, 0.25W	MF	XB....1	53.04.0107			Bulb Socket			
C.....43	59.06.0683	68 nF	10X 50 V	PETP		R.....12	57.11.3682	6.8 kOhm	1X, 0.25W	MF	XB....2	53.04.0107			Bulb Socket			
C.....44	59.06.0683	68 nF	10X 50 V	PETP		R.....13	57.11.3203	20 kOhm	1X, 0.25W	MF	XB....3	53.04.0107			Bulb Socket			
						(00) R.....14	57.11.3203	20 kOhm	1X, 0.25W	MF	XB....4	53.04.0107			Bulb Socket			
D.....1	50.04.0512	1N5818	30 V	Schottky		R.....15	57.11.3822	8.2 kOhm	1X, 0.25W	MF	XIC....1	53.03.0168	16-pole		IC Socket			
D.....2	50.04.0125	1N4448	50 V	SI		R.....16	58.01.8503	50 kOhm	10X, 0.5 W	PCcerm	XIC....2	53.03.0168	16-pole		IC Socket			
D.....3	50.04.0125	1N4448	50 V	SI		R.....17	57.11.3153	15 kOhm	1X, 0.25W	MF	XIC....3	53.03.0166	8-pole		IC Socket			
D.....4	50.04.0125	1N4448	50 V	SI		(00) R.....18	58.01.8503	50 kOhm	10X, 0.5 W	PCcerm	XIC....4	53.03.0166	8-pole		IC Socket			
D.....5	50.04.0125	1N4448	50 V	SI		(01) R.....19	58.01.8503	50 kOhm	10X, 0.5 W	PCcerm	XIC....5	53.03.0167	14-pole		IC Socket			
D.....6	50.04.0125	1N4448	50 V	SI		R.....20	57.11.3103	10 kOhm	1X, 0.25W	MF	XIC....6	53.03.0166	8-pole		IC Socket			
D.....7	50.04.0125	1N4448	50 V	SI		R.....21	57.11.3103	10 kOhm	1X, 0.25W	MF	XIC....7	53.03.0166	8-pole		IC Socket			
D.....8	50.04.0125	1N4448	50 V	SI		R.....22	57.11.3332	3.3 kOhm	1X, 0.25W	MF	XIC....8	53.03.0167	14-pole		IC Socket			
D.....9	50.04.0125	1N4448	50 V	SI		R.....23	57.11.3151	150 Ohm	1X, 0.25W	MF	XIC....9	53.03.0168	16-pole		IC Socket			
DL.....1	50.04.2500	MV5352	LED red D=5 mm	GI		R.....24	57.11.3182	470 kOhm	1X, 0.25W	MF	XIC....10	53.03.0166	8-pole		IC Socket			
DL.....2	50.04.2500	MV5352	LED red D=5 mm	GI		R.....25	57.11.3472	4.7 kOhm	1X, 0.25W	MF	XIC....11	53.03.0166	8-pole		IC Socket			
DL.....3	50.04.2500	MV5352	LED red D=5 mm	GI		R.....26	57.11.3153	15 kOhm	1X, 0.25W	MF	XIC....12	53.03.0166	8-pole		IC Socket			
DL.....4	50.04.2500	MV5352	LED red D=5 mm	GI		R.....27	57.11.3153	15 kOhm	1X, 0.25W	MF	XIC....13	53.03.0166	8-pole		IC Socket			
DL.....5	50.04.2500	MV5352	LED red D=5 mm	GI		R.....28	57.11.3751	750 Ohm	1X, 0.25W	MF	XIC....14	53.03.0166	8-pole		IC Socket			
DL.....6	50.04.2500	MV5352	LED red D=5 mm	GI		R.....29	57.11.3202	2 kOhm	1X, 0.25W	MF	XIC....15	53.03.0166	8-pole		IC Socket			
DL.....7	50.04.2500	MV5352	LED red D=5 mm	GI		R.....30	57.11.3332	3.3 kOhm	1X, 0.25W	MF	XIC....16	53.03.0167	14-pole		IC Socket			
DL.....8	50.04.2500	MV5352	LED red D=5 mm	GI		R.....31	57.11.3391	390 Ohm										

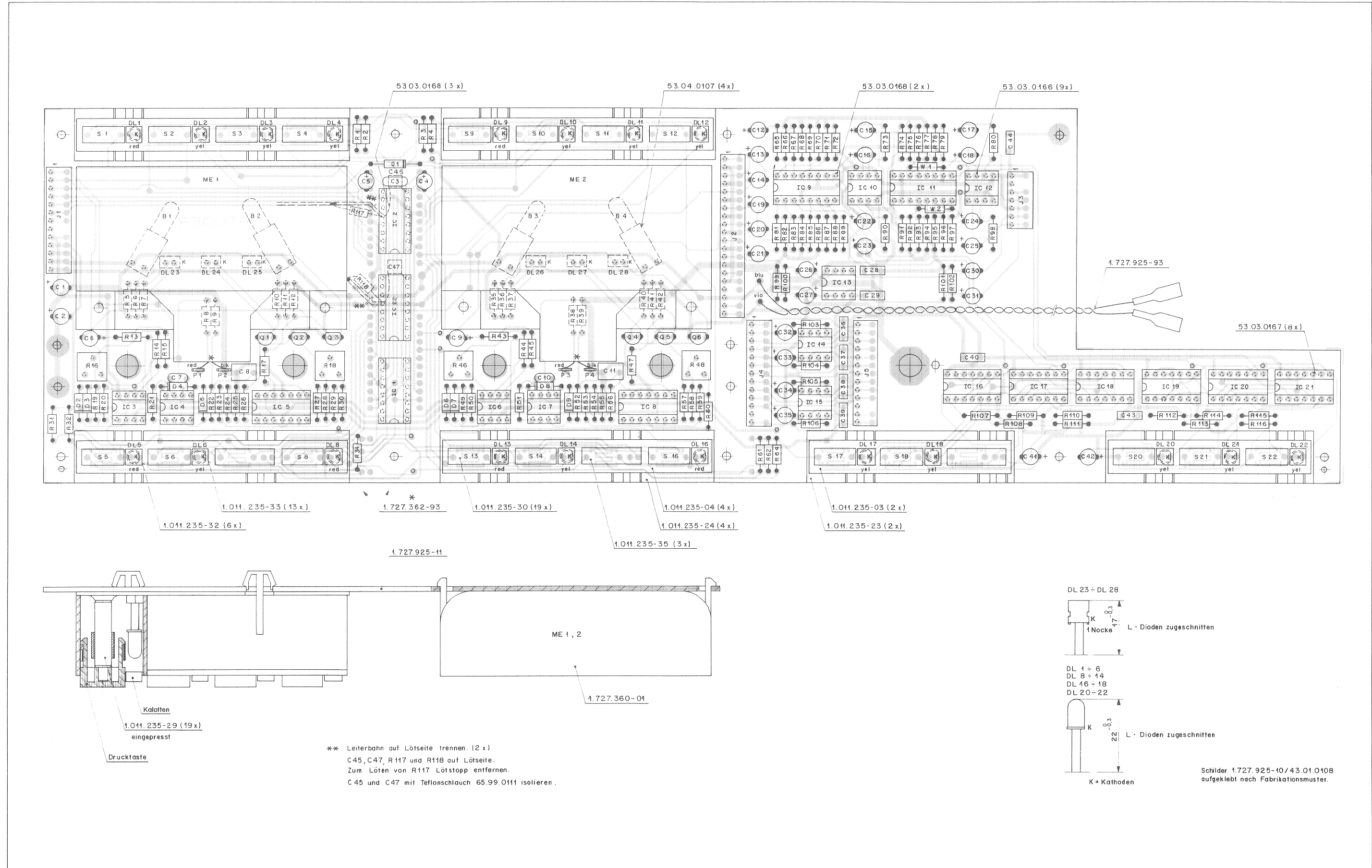
VU-PANEL BOARD (2CH) 1.727.928.82



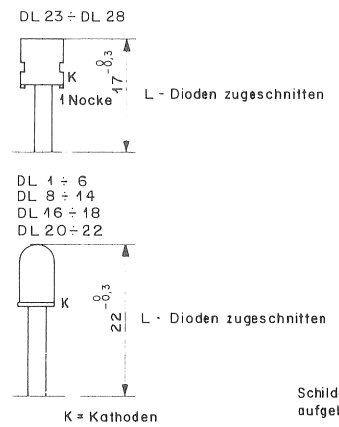
12.08.91 Uth	1	2	3	4
A 807 UUK GRP 92				PAGE 3 OF 4
STUDER	UU-PANEL BOARD 2CH	SC	1.727.928-82	

12.08.91 Uth	1	2	3	4
A 807 UUK GRP 92				PAGE 4 OF 4
STUDER	UU-PANEL BOARD 2CH	SC	1.727.928-82	

VU-PANEL BOARD (2CH) 1.727.928.82



** Leiterbahn auf Lötseite trennen. (2 x)
 C45, C47, R117 und R118 auf Lötseite.
 Zum Löten von R117 Lötstopp entfernen.
 C45 und C47 mit Teflonschlauch 65.99.0111 isolieren.



Schilder 1.727.925-10/43.01.0108
 aufgeklebt nach Fabrikationsmuster.

STUDER A807 MKII

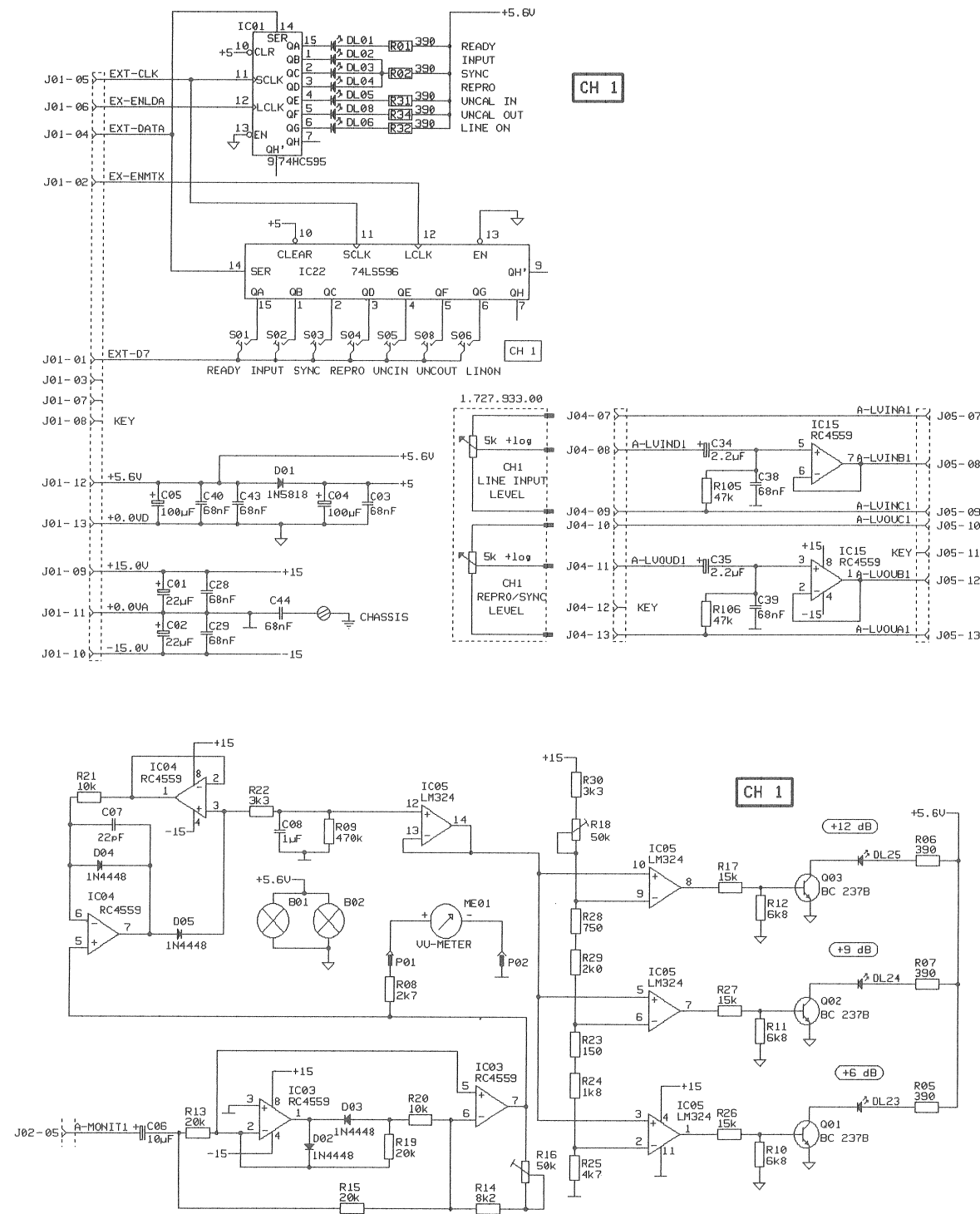
VU-PANEL BOARD (2CH) 1.727.928.82

IND.	POS.NO.	PART NO.	VALUE	SPECIFICATIONS / EQUIVALENT	MANUF.	IND.	POS.NO.	PART NO.	VALUE	SPECIFICATIONS / EQUIVALENT	MANUF.	IND.	POS.NO.	PART NO.	VALUE	SPECIFICATIONS / EQUIVALENT	MANUF.
B.....1	51.02.0144	6 V	0.03 A	Bulb		IC...21	50.17.1010	74HC10	Triple 3-Input NAND Gate			R....74	57.11.3103	10 kOhm	1%, 0.25W, MF		
B.....2	51.02.0144	6 V	0.03 A	Bulb		IC...22	50.06.0596	74LS596	8-bit Shift Register	o.c.		R....75	57.11.3103	10 kOhm	1%, 0.25W, MF		
B.....3	51.02.0144	6 V	0.03 A	Bulb		J.....1	54.01.0299	13-pole	CIS Socket Strip	AMP		R....76	57.11.3103	10 kOhm	1%, 0.25W, MF		
B.....4	51.02.0144	6 V	0.03 A	Bulb		J.....2	54.01.0237	20-pole	CIS Socket Strip	AMP		R....77	57.11.3103	10 kOhm	1%, 0.25W, MF		
C.....1	59.22.5220	22 uF	-20%	25 V EL		J.....3	54.01.0263	7-pole	CIS Socket Strip	AMP		R....78	57.11.3103	10 kOhm	1%, 0.25W, MF		
C.....2	59.22.5220	22 uF	-20%	25 V EL		J.....4	54.01.0299	13-pole	CIS Socket Strip	AMP		R....79	57.11.3103	10 kOhm	1%, 0.25W, MF		
C.....3	59.06.0683	68 nF	10%	50 V PETF		J.....5	54.01.0299	13-pole	CIS Socket Strip	AMP		R....80	57.11.3103	10 kOhm	1%, 0.25W, MF		
C.....4	59.22.3101	100 uF	-20%	10 V EL		ME...1	1.727.360.01		VU Meter	ST		R....81	57.11.3473	4.7 kOhm	1%, 0.25W, MF		
C.....5	59.22.3101	100 uF	-20%	10 V EL		ME...2	1.727.360.01		VU Meter	ST		R....82	57.11.3472	4.7 kOhm	1%, 0.25W, MF		
C.....6	59.22.6100	10 uF	-20%	25 V EL		ME...1	43.01.0108	1 pcs	ESE Warning Label			R....83	57.11.3473	4.7 kOhm	1%, 0.25W, MF		
C.....7	59.34.2220	22 pF	10%	50 V CER		ME...2	53.03.0221	26 pcs	2-pole LED Socket			R....84	57.11.3472	4.7 kOhm	1%, 0.25W, MF		
C.....8	59.06.0105	1 uF	10%	50 V PETF		ME...3	1.011.235.03	2 pcs	Push button case 3A	ST		R....85	57.11.3473	4.7 kOhm	1%, 0.25W, MF		
C.....9	59.22.6100	10 uF	-20%	25 V EL		ME...4	1.011.235.04	4 pcs	Push button case 4A	ST		R....86	57.11.3472	4.7 kOhm	1%, 0.25W, MF		
C.....10	59.34.2220	22 pF	10%	50 V CER		ME...5	1.011.235.23	2 pcs	Conductive rubber 3A	ST		R....87	57.11.3332	3.3 kOhm	1%, 0.25W, MF		
C.....11	59.06.0105	1 uF	10%	50 V PETF		ME...6	1.011.235.24	4 pcs	Conductive rubber 4A	ST		R....88	57.11.3682	6.8 kOhm	1%, 0.25W, MF		
C.....12	59.22.8229	2.2 uF	-20%	25 V EL		ME...7	1.011.235.29	19 pcs	Bolt	ST		R....89	57.11.3103	10 kOhm	1%, 0.25W, MF		
C.....13	59.22.8229	2.2 uF	-20%	25 V EL		ME...8	1.011.235.30	19 pcs	Push button 14A5	ST		R....90	57.11.3473	4.7 kOhm	1%, 0.25W, MF		
C.....14	59.22.8229	2.2 uF	-20%	25 V EL		ME...9	1.011.235.32	6 pcs	Calotte red	ST		R....91	57.11.3103	10 kOhm	1%, 0.25W, MF		
C.....15	59.22.5220	22 uF	-20%	25 V EL		ME...10	1.011.235.33	13 pcs	Calotte yel	ST		R....92	57.11.3103	10 kOhm	1%, 0.25W, MF		
C.....16	59.22.5220	22 uF	-20%	25 V EL		ME...11	1.011.235.35	3 pcs	Dummy push button 19A5	ST		R....93	57.11.3103	10 kOhm	1%, 0.25W, MF		
C.....17	59.22.5220	22 uF	-20%	25 V EL		ME...12	1.727.362.93	2 pcs	Wiring List VU-Meter	ST		R....94	57.11.3103	10 kOhm	1%, 0.25W, MF		
C.....18	59.22.5220	22 uF	-20%	25 V EL		ME...13	1.727.928.10	1 pc	Ho. Label	ST		R....95	57.11.3332	3.3 kOhm	1%, 0.25W, MF		
C.....19	59.22.8229	2.2 uF	-20%	25 V EL		ME...14	1.727.928.11	1 pc	VU PANEL PCB	ST		R....96	57.11.3682	6.8 kOhm	1%, 0.25W, MF		
C.....20	59.22.8229	2.2 uF	-20%	25 V EL		ME...15	1.727.925.93	1 pc	Wiring List VU-Panel Board	ST		R....97	57.11.3103	10 kOhm	1%, 0.25W, MF		
C.....21	59.22.8229	2.2 uF	-20%	25 V EL		P.....1	54.02.0320		Plug 2.8A0.8	AMP		R....98	57.11.3103	10 kOhm	1%, 0.25W, MF		
C.....22	59.22.5220	22 uF	-20%	25 V EL		P.....2	54.02.0320		Plug 2.8A0.8	AMP		R....99	57.11.3473	4.7 kOhm	1%, 0.25W, MF		
C.....23	59.22.5220	22 uF	-20%	25 V EL		P.....3	54.02.0320		Plug 2.8A0.8	AMP		R....100	57.11.3473	4.7 kOhm	1%, 0.25W, MF		
C.....24	59.22.5220	22 uF	-20%	25 V EL		P.....4	54.02.0320		Plug 2.8A0.8	AMP		R....101	57.11.3473	4.7 kOhm	1%, 0.25W, MF		
C.....25	59.22.5220	22 uF	-20%	25 V EL		Q.....1	50.03.0436	BC237B	BC547B, BC550B	NPN		R....102	57.11.3473	4.7 kOhm	1%, 0.25W, MF		
C.....26	59.22.5220	22 uF	-20%	25 V EL		Q.....2	50.03.0436	BC237B	BC547B, BC550B	NPN		R....103	57.11.3473	4.7 kOhm	1%, 0.25W, MF		
C.....27	59.22.5220	22 uF	-20%	25 V EL		Q.....3	50.03.0436	BC237B	BC547B, BC550B	NPN		R....104	57.11.3473	4.7 kOhm	1%, 0.25W, MF		
C.....28	59.06.0683	68 nF	10%	50 V PETF		Q.....4	50.03.0436	BC237B	BC547B, BC550B	NPN		R....105	57.11.3473	4.7 kOhm	1%, 0.25W, MF		
C.....29	59.06.0683	68 nF	10%	50 V PETF								R....106	57.11.3473	4.7 kOhm	1%, 0.25W, MF		
C.....30	59.22.8229	2.2 uF	-20%	25 V EL								R....107	57.11.3332	3.3 kOhm	1%, 0.25W, MF		
C.....31	59.22.8229	2.2 uF	-20%	25 V EL								R....108	57.11.3391	390 Ohm	1%, 0.25W, MF		
C.....32	59.22.8229	2.2 uF	-20%	25 V EL								R....109	57.11.3391	390 Ohm	1%, 0.25W, MF		
C.....33	59.22.8229	2.2 uF	-20%	25 V EL								R....110	57.11.3391	390 Ohm	1%, 0.25W, MF		

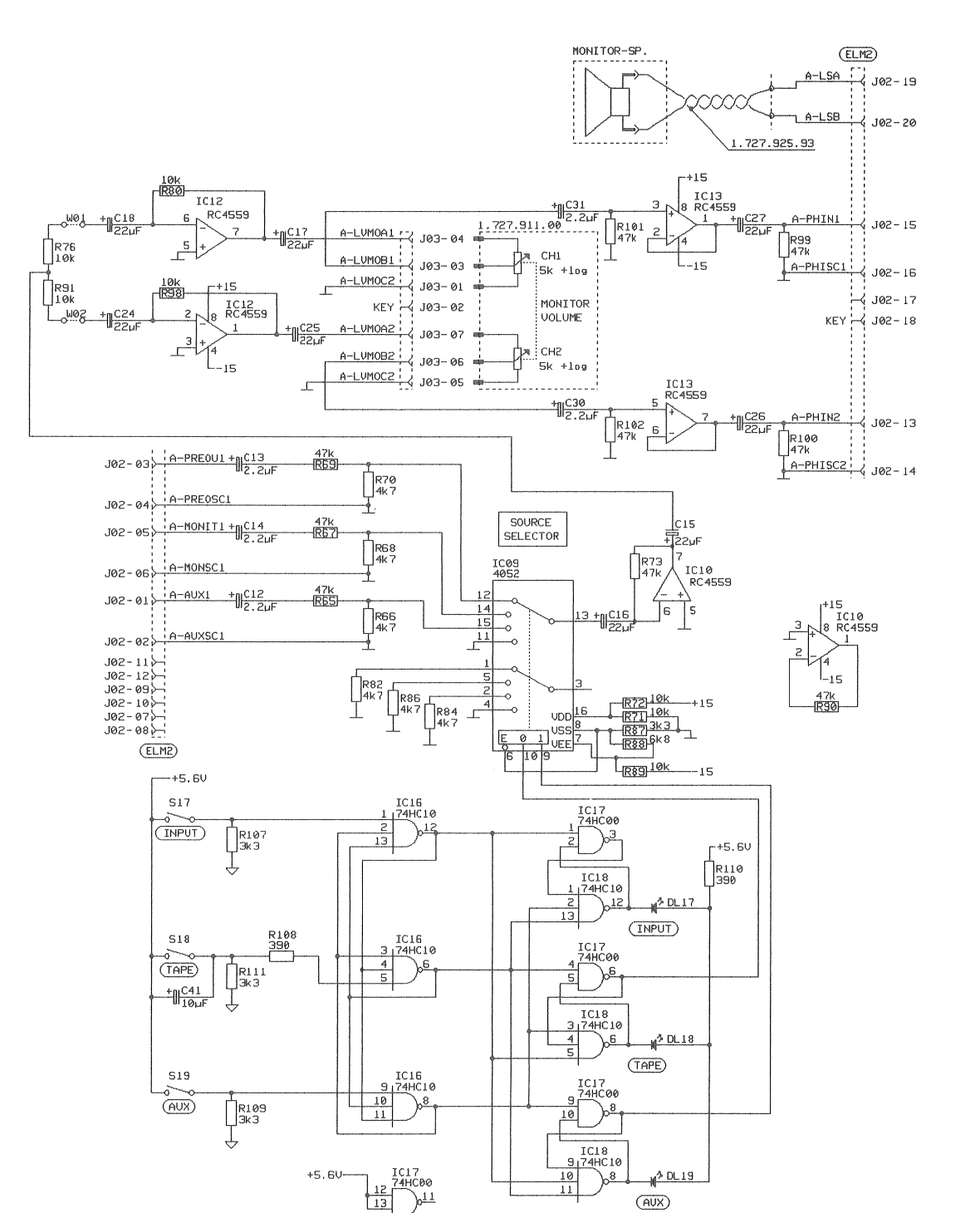
S T U D E R (00) 91/08/12 GP VU PANEL BOARD 2CH PL 1.727.928.82 PAGE 1 S T U D E R (00) 91/08/12 GP VU PANEL BOARD 2CH PL 1.727.928.82 PAGE 4 S T U D E R (00) 91/08/12 GP VU PANEL BOARD 2CH PL 1.727.928.82 PAGE 7

IND.	POS.NO.	PART NO.	VALUE	SPECIFICATIONS / EQUIVALENT	MANUF.	IND.	POS.NO.	PART NO.	VALUE	SPECIFICATIONS / EQUIVALENT	MANUF.	IND.	POS.NO.	PART NO.	VALUE	SPECIFICATIONS / EQUIVALENT	MANUF.
C.....33	59.22.8229	2.2 uF	-20%	25 V EL		Q.....5	50.03.0436	BC237B	BC547B, BC550B	NPN		R....111	57.11.3332	3.3 kOhm	1%, 0.25W, MF		
C.....34	59.22.8229	2.2 uF	-20%	25 V EL		Q.....6	50.03.0436	BC237B	BC547B, BC550B	NPN		R....112	57.11.3332	3.3 kOhm	1%, 0.25W, MF		
C.....35	59.22.8229	2.2 uF	-20%	25 V EL		R.....1	57.11.3391	390 Ohm	1%, 0.25W, MF			R....113	57.11.3391	390 Ohm	1%, 0.25W, MF		
C.....36	59.06.0683	68 nF	10%	50 V PETF		R.....2	57.11.3391	390 Ohm	1%, 0.25W, MF			R....114	57.11.3332	3.3 kOhm	1%, 0.25W, MF		
C.....37	59.06.0683	68 nF	10%	50 V PETF		R.....3	57.11.3391	390 Ohm	1%, 0.25W, MF			R....115	57.11.3391	390 Ohm	1%, 0.25W, MF		
C.....38	59.06.0683	68 nF	10%	50 V PETF		R.....4	57.11.3391	390 Ohm	1%, 0.25W, MF			R....116	57.11.3391	390 Ohm	1%, 0.25W, MF		
C.....39	59.06.0683	68 nF	10%	50 V PETF		R.....5	57.11.3391	390 Ohm	1%, 0.25W, MF			R....117	57.11.3102	1 kOhm	1%, 0.25W, MF		
C.....40	59.06.0683	68 nF	10%	50 V PETF		R.....6	57.11.3391	390 Ohm	1%, 0.25W, MF			R....118	57.11.3102	1 kOhm	1%, 0.25W, MF		
C.....41	59.22.6100	10 uF	-20%	25 V EL		R.....7	57.11.3391	390 Ohm	1%, 0.25W, MF			KB....1	53.04.0107		Bulb Socket		
C.....42	59.22.6100	10 uF	-20%	25 V EL		R.....8	57.11.3272	2.7 kOhm	1%, 0.25W, MF			KB....2	53.04.0107		Bulb Socket		
C.....43	59.06.0683	68 nF	10%	50 V PETF		R.....9	57.11.3474	4.7 kOhm	1%, 0.25W, MF			KB....3	53.04.0107		Bulb Socket		
C.....44	59.06.0683	68 nF	10%	50 V PETF		R.....10	57.11.3682	6.8 kOhm	1%, 0.25W, MF			KB....4	53.04.0107		Bulb Socket		
C.....45	59.45.4101	100 pF	not used			R.....11	57.11.3682	6.8 kOhm	1%, 0.25W, MF			KIC...1	53.03.0168	16-pole	IC Socket		
C.....46	59.45.4101	100 pF	not used			R.....12	57.11.3682	6.8 kOhm	1%, 0.25W, MF			KIC...2	53.03.0168	16-pole	IC Socket		
C.....47	59.45.4101	100 pF	not used			R.....13	57.11.3203	20 kOhm	1%, 0.25W, MF			KIC...3	53.03.0166	8-pole	IC Socket		
C.....48	59.45.4101	100 pF	not used			R.....14	57.11.3822	8.2 kOhm	1%, 0.25W, MF			KIC...4	53.03.0166	8-pole	IC Socket		
D.....1	50.04.0512	1N5818	30 V	Schottky		R.....15	57.11.3203	20 kOhm	1%, 0.25W, MF			KIC...5	53.03.0167	14-pole	IC Socket		
D.....2	50.04.0125	1N4448	50 V	Si		R.....16	58.01.8503	50 kOhm	10%, 0.5 W, PCerm			KIC...6	53.03.0166	8-pole	IC Socket		
D.....3	50.04.0125	1N4448	50 V	Si		R.....17	57.11.3153	15 kOhm	1%, 0.25W, MF			KIC...7	53.03.0166	8-pole	IC Socket		
D.....4	50.04.0125	1N4448	50 V	Si		R.....18	58.01.8503	50 kOhm	10%, 0.5 W, PCerm			KIC...8	53.03.0167	14-pole	IC Socket		
D.....5	50.04.0125	1N4448	50 V	Si		R.....19	57.11.3203	20 kOhm	1%, 0.25W, MF			KIC...9	53.03.0166	8-pole	IC Socket		
D.....6	50.04.0125	1N4448	50 V	Si		R.....20	57.11.3103	10 kOhm	1%, 0.25W, MF			KIC...10	53.03.0166	8-pole	IC Socket		
D.....7	50.04.0125	1N4448	50 V	Si		R.....21	57.11.3103	10 kOhm	1%, 0.25W, MF			KIC...11	53.03.0168	16-pole	IC Socket		
D.....8	50.04.0125	1N4448	50 V	Si		R.....22	57.11.3332	3.3 kOhm	1%, 0.25W, MF			KIC...12	53.03.0166	8-pole	IC Socket		
D.....9	50.04.0125	1N4448	50 V	Si		R.....23	57.11.3151	150 Ohm	1%, 0.25W, MF			KIC...13	53.03.0166	8-pole	IC Socket		
DL...1	50.04.2115	MV5752	LED red D=5 mm			R.....24	57.11.3182	1.8 kOhm	1%, 0.25W, MF			KIC...14	53.03.0166	8-pole	IC Socket		
DL...2	50.04.2500	MV5352	LED yel D=5 mm			R.....25	57.11.3472	4.7 kOhm	1%, 0.25W, MF			KIC...15	53.03.0166	8-pole	IC Socket		
DL...3	50.04.2500	MV5352	LED														

VU-PANEL BOARD MONO 1.727.938.00

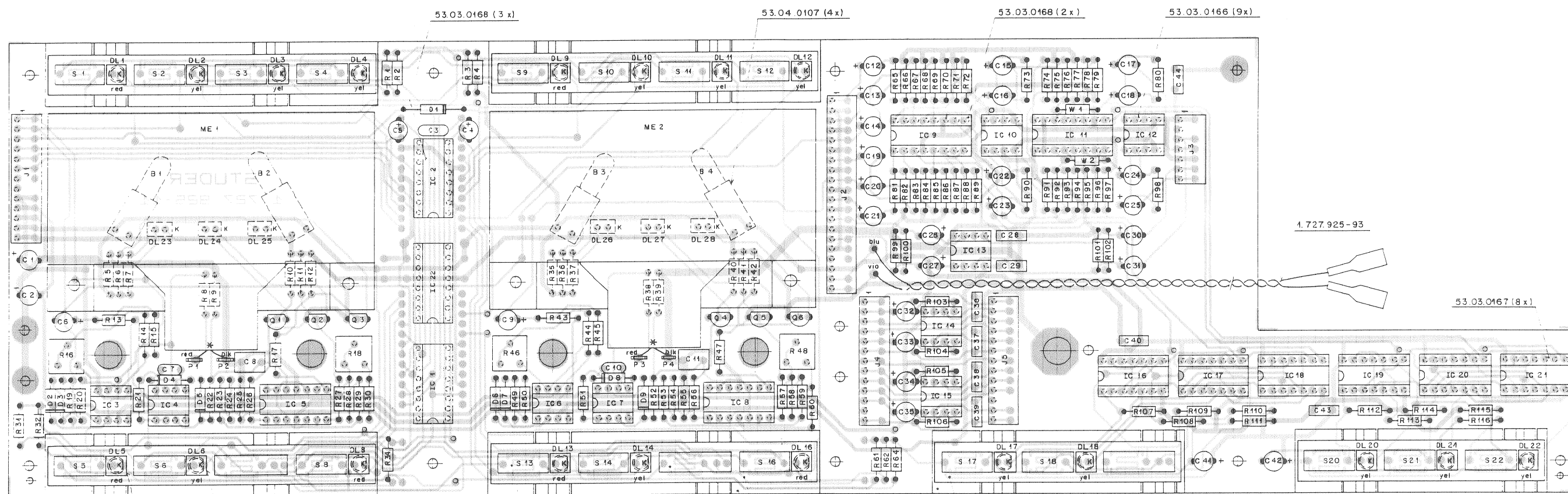


© 12.07.89 DS	① 05.03.90 DS	② 15.11.90 DS	○	○
A 807 GR 92		PAGE 1 OF 2		
STUDER	VU-PANEL BOARD MONO	SCH	1.727.938-00	



© 12.07.89 DS	① 05.03.90 DS	② 15.11.90 DS	○	○
A 807 GR 92		PAGE 2 OF 2		
STUDER	VU-PANEL BOARD MONO	SCH	1.727.938-00	

VU-PANEL BOARD MONO 1.727.938.00



1.011.235-33 (13 x)

1.727.362-93

1.011.235-30 (19 x)

1.011.235-04 (4 x)

1.011.235-03 (2 x)

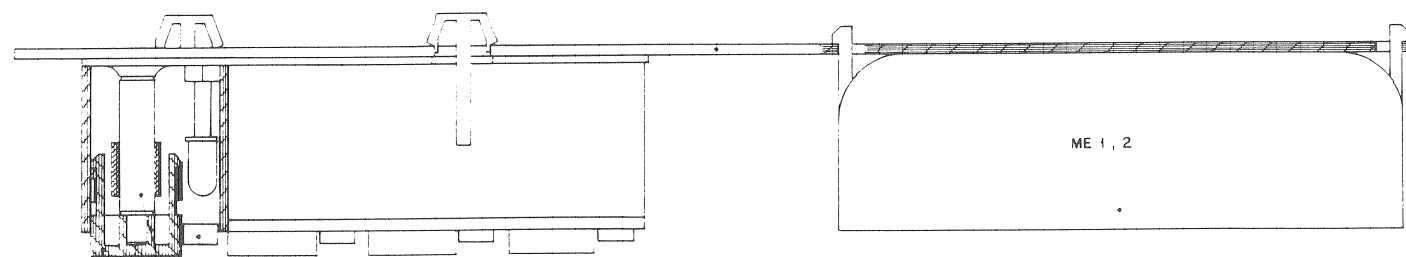
1.011.235-32 (6 x)

1.011.235-24 (4 x)

1.011.235-23 (2 x)

1.727.925-11

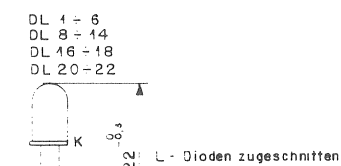
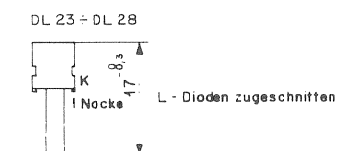
1.011.235-35 (3 x)



Kalotten
1.011.235-29 (19 x)
eingepresst

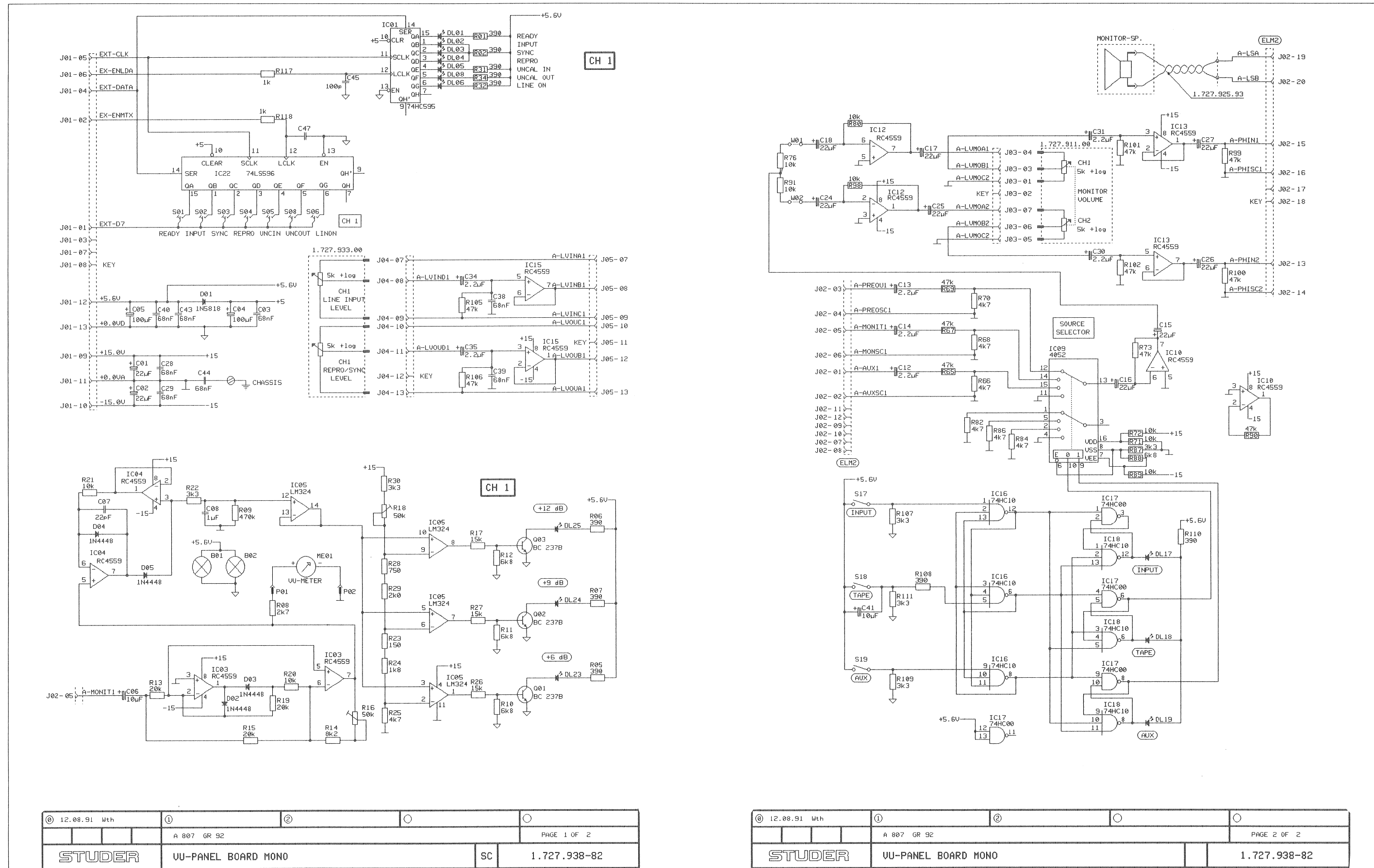
Drucktaste

1.727.360-01



K = Kathoden

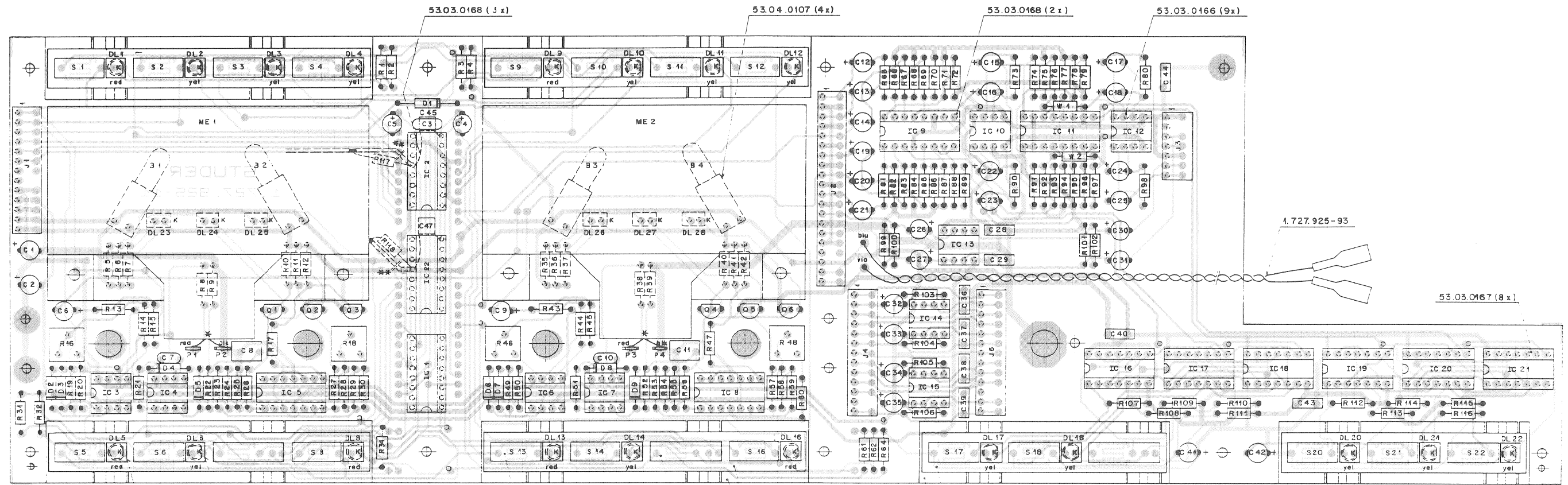
VU-PANEL BOARD MONO 1.727.938.82



© 12.08.91 Wth	①	②	○	○
	A 807 GR 92			PAGE 1 OF 2
STUDER	VU-PANEL BOARD MONO	SC	1.727.938-82	

© 12.08.91 Wth	①	②	○	○
	A 807 GR 92			PAGE 2 OF 2
STUDER	VU-PANEL BOARD MONO		1.727.938-82	

VU-PANEL BOARD MONO 1.727.938.82



1.011.235-33 (13 x)
1.011.235-32 (6 x)

1.727.362-93

1.011.235-30 (19 x)

1.011.235-04 (4 x)

1.011.235-03 (2 x)

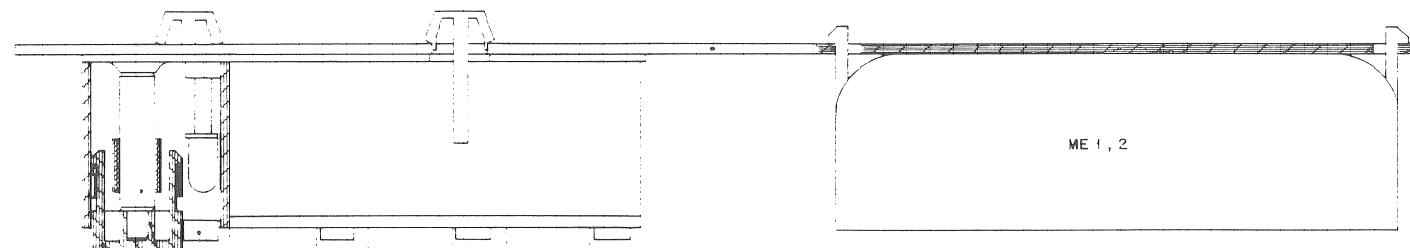
1.011.235-32 (6 x)

1.011.235-24 (4 x)

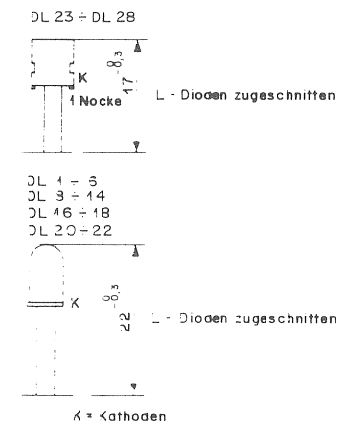
1.011.235-23 (2 x)

1.727.925-11

1.011.235-35 (3 x)



1.727.360-01



VU-PANEL BOARD MONO 1.727.938.82

IND.	POS.NO.	PART NO.	VALUE	SPECIFICATIONS / EQUIVALENT	MANUF.	IND.	POS.NO.	PART NO.	VALUE	SPECIFICATIONS / EQUIVALENT	MANUF.
B....1		51.02.0144	6 V	0.03 A	Laap	R....10		57.11.3682	6.8 kOhm	1%, 0.25W, MF	
B....2		51.02.0144	6 V	0.03 A	Lamp	R....11		57.11.3682	6.8 kOhm	1%, 0.25W, MF	
C....1		59.22.5220	22 uF	-20X 25 V	EL	R....12		57.11.3682	6.8 kOhm	1%, 0.25W, MF	
C....2		59.22.5220	22 uF	-20X 25 V	EL	R....13		57.11.3203	20 kOhm	1%, 0.25W, MF	
C....3		59.06.0683	68 nF	10X 50 V	PETP	R....14		57.11.3822	8.2 kOhm	1%, 0.25W, MF	
C....4		59.22.3101	100 uF	-20X 10 V	EL	R....15		57.11.3203	20 kOhm	1%, 0.25W, MF	
C....5		59.22.3101	100 uF	-20X 10 V	EL	R....16		58.01.8503	50 kOhm	10%, 0.5 W, PCerm	
C....6		59.22.6100	10 uF	-20X 25 V	EL	R....17		57.11.3153	15 kOhm	1%, 0.25W, MF	
C....7		59.34.2220	22 pF	10X 50 V	CER	R....18		58.01.8503	50 kOhm	10%, 0.5 W, PCerm	
C....8		59.06.0105	14 uF	10X 50 V	PETP	R....19		57.11.3203	20 kOhm	1%, 0.25W, MF	
C....12		59.22.8229	2.2 uF	-20X 25 V	EL	R....20		57.11.3103	10 kOhm	1%, 0.25W, MF	
C....13		59.22.8229	2.2 uF	-20X 25 V	EL	R....21		57.11.3103	10 kOhm	1%, 0.25W, MF	
C....14		59.22.8229	2.2 uF	-20X 25 V	EL	R....22		57.11.3332	3.3 kOhm	1%, 0.25W, MF	
C....15		59.22.5220	22 uF	-20X 25 V	EL	R....23		57.11.3151	150 Ohm	1%, 0.25W, MF	
C....16		59.22.5220	22 uF	-20X 25 V	EL	R....24		57.11.3162	1.8 kOhm	1%, 0.25W, MF	
C....17		59.22.5220	22 uF	-20X 25 V	EL	R....25		57.11.3472	4.7 kOhm	1%, 0.25W, MF	
C....18		59.22.5220	22 uF	-20X 25 V	EL	R....26		57.11.3153	15 kOhm	1%, 0.25W, MF	
C....24		59.22.5220	22 uF	-20X 25 V	EL	R....27		57.11.3153	15 kOhm	1%, 0.25W, MF	
C....25		59.22.5220	22 uF	-20X 25 V	EL	R....28		57.11.3751	750 Ohm	1%, 0.25W, MF	
C....26		59.22.5220	22 uF	-20X 25 V	EL	R....29		57.11.3202	2 kOhm	1%, 0.25W, MF	
C....27		59.22.5220	22 uF	-20X 25 V	EL	R....30		57.11.3332	3.3 kOhm	1%, 0.25W, MF	
C....28		59.06.0683	68 nF	10X 50 V	PETP	R....31		57.11.3391	390 Ohm	1%, 0.25W, MF	
C....29		59.06.0683	68 nF	10X 50 V	PETP	R....32		57.11.3391	390 Ohm	1%, 0.25W, MF	
C....30		59.22.8229	2.2 uF	-20X 25 V	EL	R....33		57.11.3391	390 Ohm	1%, 0.25W, MF	
C....31		59.22.8229	2.2 uF	-20X 25 V	EL	R....34		57.11.3391	390 Ohm	1%, 0.25W, MF	
C....34		59.22.8229	2.2 uF	-20X 25 V	EL	R....65		57.11.3473	4.7 kOhm	1%, 0.25W, MF	
C....35		59.22.8229	2.2 uF	-20X 25 V	EL	R....66		57.11.3472	4.7 kOhm	1%, 0.25W, MF	
C....38		59.06.0683	68 nF	10X 50 V	PETP	R....67		57.11.3473	4.7 kOhm	1%, 0.25W, MF	
C....39		59.06.0683	68 nF	10X 50 V	PETP	R....68		57.11.3472	4.7 kOhm	1%, 0.25W, MF	
C....40		59.06.0683	68 nF	10X 50 V	PETP	R....69		57.11.3473	4.7 kOhm	1%, 0.25W, MF	
C....41		59.22.6100	10 uF	-20X 25 V	EL	R....70		57.11.3472	4.7 kOhm	1%, 0.25W, MF	
C....43		59.06.0683	68 nF	10X 50 V	PETP	R....71		57.11.3103	10 kOhm	1%, 0.25W, MF	
C....44		59.06.0683	68 nF	10X 50 V	PETP	R....72		57.11.3103	10 kOhm	1%, 0.25W, MF	
C....45		59.45.4101	100 pF	10X 50 V	CER	R....73		57.11.3473	4.7 kOhm	1%, 0.25W, MF	
C....46		59.45.4101	100 pF	not used		R....76		57.11.3103	10 kOhm	1%, 0.25W, MF	
C....47		59.45.4101	100 pF	10X 50 V	CER	R....82		57.11.3472	4.7 kOhm	1%, 0.25W, MF	
						R....84		57.11.3472	4.7 kOhm	1%, 0.25W, MF	

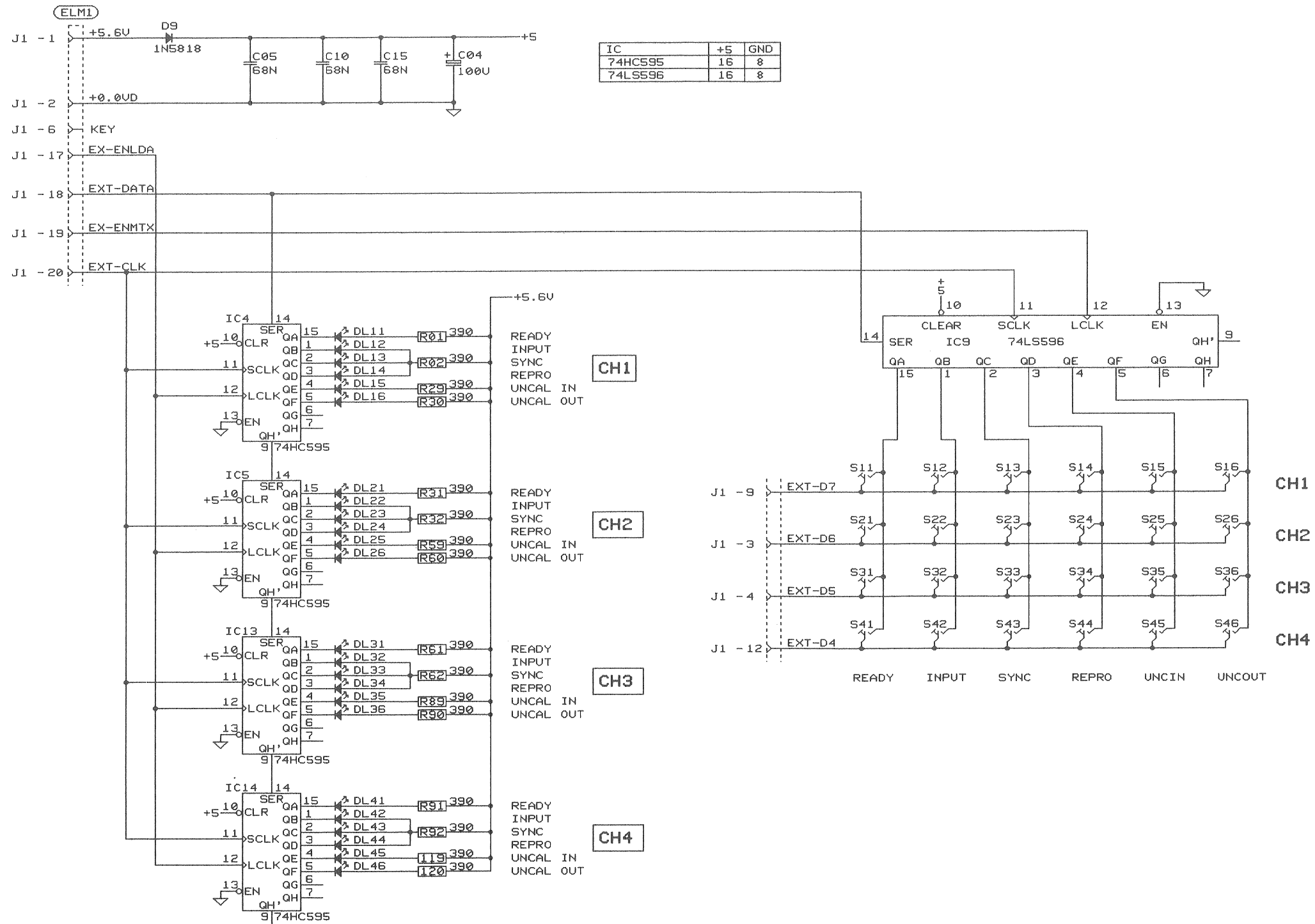
S T U D E R (00) 91/08/12 GP VU PANEL BOARD MONO PL 1.727.938.82 PAGE 1 S T U D E R (00) 91/08/12 GP VU PANEL BOARD MONO PL 1.727.938.82 PAGE 4

IND.	POS.NO.	PART NO.	VALUE	SPECIFICATIONS / EQUIVALENT	MANUF.	IND.	POS.NO.	PART NO.	VALUE	SPECIFICATIONS / EQUIVALENT	MANUF.
				not used		R....86		57.11.3472	4.7 kOhm	1%, 0.25W, MF	
D....1		50.04.0512	1N5818	30 V	Schottky	R....87		57.11.3332	3.3 kOhm	1%, 0.25W, MF	
D....2		50.04.0125	1N4448	50 V	SI	R....88		57.11.3682	6.8 kOhm	1%, 0.25W, MF	
D....3		50.04.0125	1N4448	50 V	SI	R....89		57.11.3103	10 kOhm	1%, 0.25W, MF	
D....4		50.04.0125	1N4448	50 V	SI	R....90		57.11.3473	4.7 kOhm	1%, 0.25W, MF	
D....5		50.04.0125	1N4448	50 V	SI	R....91		57.11.3103	10 kOhm	1%, 0.25W, MF	
DL....1		50.04.2115	MV5752	LED red D=5 mm	GI	R....98		57.11.3103	10 kOhm	1%, 0.25W, MF	
DL....2		50.04.2500	MV5352	LED yel D=5 mm	GI	R....99		57.11.3473	4.7 kOhm	1%, 0.25W, MF	
DL....3		50.04.2500	MV5352	LED yel D=5 mm	GI	R....100		57.11.3473	4.7 kOhm	1%, 0.25W, MF	
DL....4		50.04.2500	MV5352	LED yel D=5 mm	GI	R....101		57.11.3473	4.7 kOhm	1%, 0.25W, MF	
DL....5		50.04.2115	MV5752	LED red D=5 mm	GI	R....102		57.11.3473	4.7 kOhm	1%, 0.25W, MF	
DL....6		50.04.2500	MV5352	LED yel D=5 mm	GI	R....105		57.11.3473	4.7 kOhm	1%, 0.25W, MF	
DL....8		50.04.2115	MV5752	LED red D=5 mm	GI	R....106		57.11.3473	4.7 kOhm	1%, 0.25W, MF	
DL....17		50.04.2500	MV5352	LED yel D=5 mm	GI	R....107		57.11.3332	3.3 kOhm	1%, 0.25W, MF	
DL....18		50.04.2500	MV5352	LED yel D=5 mm	GI	R....108		57.11.3391	390 Ohm	1%, 0.25W, MF	
DL....19				not used		R....109		57.11.3332	3.3 kOhm	1%, 0.25W, MF	
DL....23		50.04.2119	MV57124	LED red 6.35x3.81	GI	R....110		57.11.3391	390 Ohm	1%, 0.25W, MF	
DL....24		50.04.2119	MV57124	LED red 6.35x3.81	GI	R....111		57.11.3332	3.3 kOhm	1%, 0.25W, MF	
DL....25		50.04.2119	MV57124	LED red 6.35x3.81	GI	R....117		57.11.3102	1 kOhm	1%, 0.25W, MF	
IC....1		50.17.1595	74 HC 595	8-bit Shift Register	tri	R....118		57.11.3102	1 kOhm	1%, 0.25W, MF	
IC....3		50.09.0107	RC 4559	Dual Op. Amp.	ra	W....1		57.11.3000		Bridge	
IC....4		50.09.0107	RC 4559	Dual Op. Amp.	ra	W....2		57.11.3000		Bridge	
IC....5		50.05.0199	LM 324	Quad Op. Amp.	NS/Mot	XB....1		53.04.0107		Bulb Socket	
IC....9		50.07.0024	CMC 14052	CMOS Analog Switch	Mot	XB....2		53.04.0107		Bulb Socket	
IC....10		50.09.0107	RC 4559	Dual Op. Amp.	ra	XIC....1		53.03.0168	16-Pole	IC Socket	
IC....12		50.09.0107	RC 4559	Dual Op. Amp.	ra	XIC....3		53.03.0166	8-Pole	IC Socket	
IC....13		50.09.0107	RC 4559	Dual Op. Amp.	ra	XIC....4		53.03.0166	8-Pole	IC Socket	
IC....15		50.09.0107	RC 4559	Dual Op. Amp.	ra	XIC....5		53.03.0167	14-Pole	IC Socket	
IC....16		50.17.1010	74 HC 10	Triple 3-Input NAND Gate		XIC....9		53.03.0168	16-Pole	IC Socket	
IC....17		50.17.1010	74 HC 00	Quad 2-Input NAND Gate		XIC....10		53.03.0166	8-Pole	IC Socket	
IC....18		50.17.1010	74 HC 10	Triple 3-Input NAND Gate		XIC....12		53.03.0166	8-Pole	IC Socket	
IC....22		50.06.0596	74 LS 596	8-bit Shift Register	o.c	XIC....13		53.03.0166	8-Pole	IC Socket	
J.....1		54.01.0299	13-Pole	CIS Socket Strip	AMP	XIC....15		53.03.0166	8-Pole	IC Socket	

S T U D E R (00) 91/08/12 GP VU PANEL BOARD MONO PL 1.727.938.82 PAGE 2 S T U D E R (00) 91/08/12 GP VU PANEL BOARD MONO PL 1.727.938.82 PAGE 5

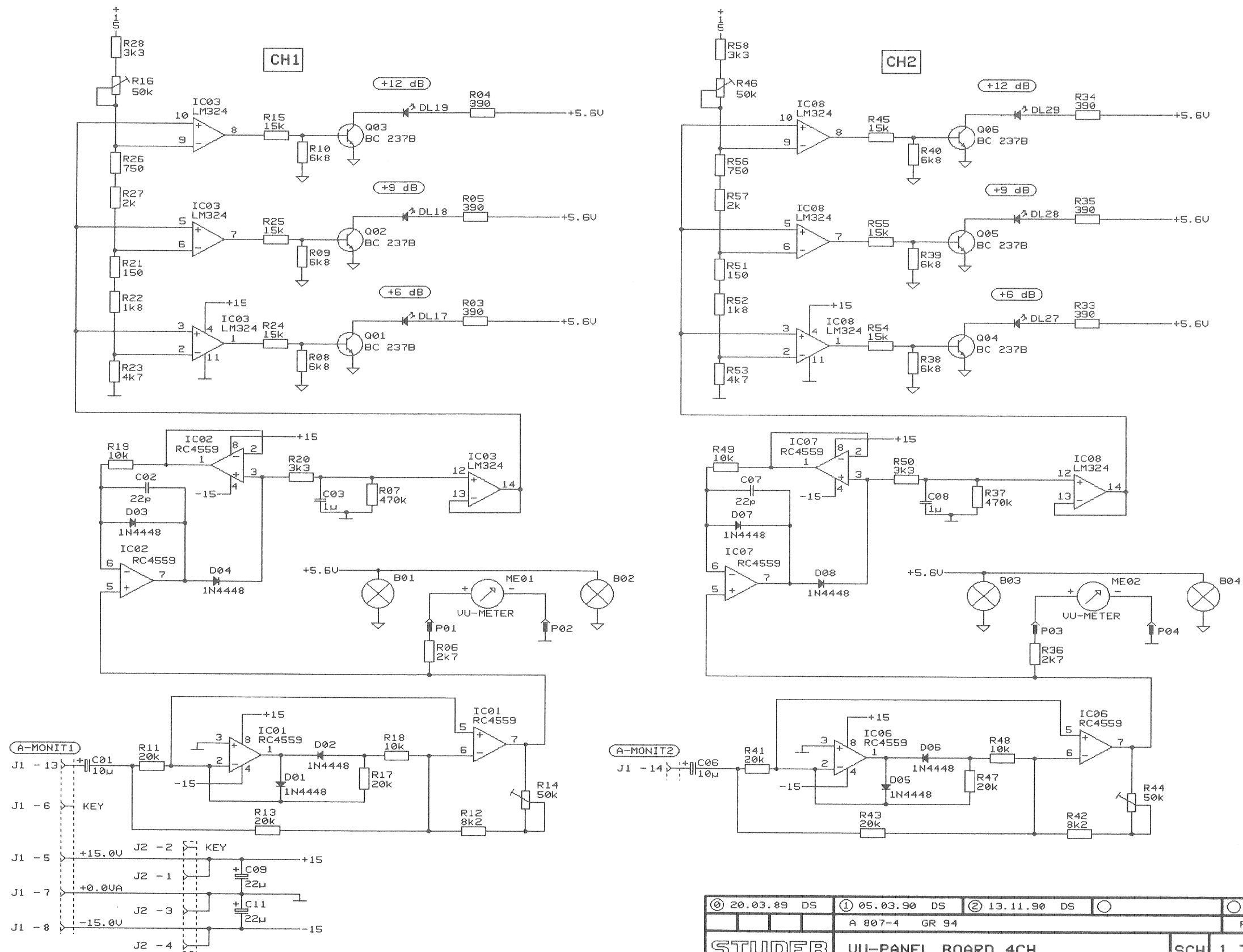
IND.	POS.NO.	PART NO.	VALUE	SPECIFICATIONS / EQUIVALENT	MANUF.	IND.	POS.NO.	PART NO.	VALUE	SPECIFICATIONS / EQUIVALENT	MANUF.
J.....2		54.01.0237	20-Pole	CIS Socket Strip	AMP	XIC....17		53.03.0167	14-Pole	IC Socket	
J.....3		54.01.0263	7-Pole	CIS Socket Strip	AMP	XIC....18		53.03.0167	14-Pole	IC Socket	
J.....4		54.01.0299	13-Pole	CIS Socket Strip	AMP	XIC....22		53.03.0168	16-Pole	IC-Socket	
J.....5		54.01.0299	13-Pole	CIS Socket Strip	AMP						
ME....1		1.727.360.01		VU Meter							
MP....1		43.01.0108	1 pcs	ESE Warning label							
MP....2		53.03.0221	13 pcs	2-pole LED Socket							
MP....3		1.011.235.03	1 pcs	Push button case 3a							
MP....4		1.011.235.04	2 pcs	Push button case 4a							
MP....5		1.011.235.23	1 pcs	Conductive rubber 3a							
MP....6		1.011.235.24	2 pcs	Conductive rubber 4a							
MP....7		1.011.235.29	9 pcs	Bolt							
MP....8		1.011.235.30	9 pcs	Push button 14x5							
MP....9		1.011.235.32	3 pcs	Calotte red							
MP....10		1.011.235.33	6 pcs	Calotte yel							
MP....11		1.011.235.35	2 pcs	Dummy push button 19x5							
MP....12		1.727.362.93	1 pcs	L-LST Command Panel Board							
MP....13		1.727.938.10	1 pcs	No. Label							
MP....14		1.727.928.11	1 pcs	VU PANEL PCB							
MP....15		1.727.925.93	1 pcs	L-LST VU PANEL BOARD							
P.....1		54.02.0320		Plug 2.8x0.8	AMP						
P.....2		54.02.0320		Plug 2.8x0.8	AMP						
Q.....1		50.03.0436	BC237B	BC547B, BC550B	NPN						
Q.....2		50.03.0436	BC237B	BC547B, BC550B	NPN						
Q.....3		50.03.0436	BC237B	BC547B, BC550B	NPN						
R....1		57.11.3391	390 Ohm	1%, 0.25W, MF							
R....2		57.11.3391	390 Ohm	1%, 0.25W, MF							
R....5		57.11.3391	390 Ohm	1%, 0.25W, MF					</		

VU-PANEL BOARD (4CH) 1.727.945.00

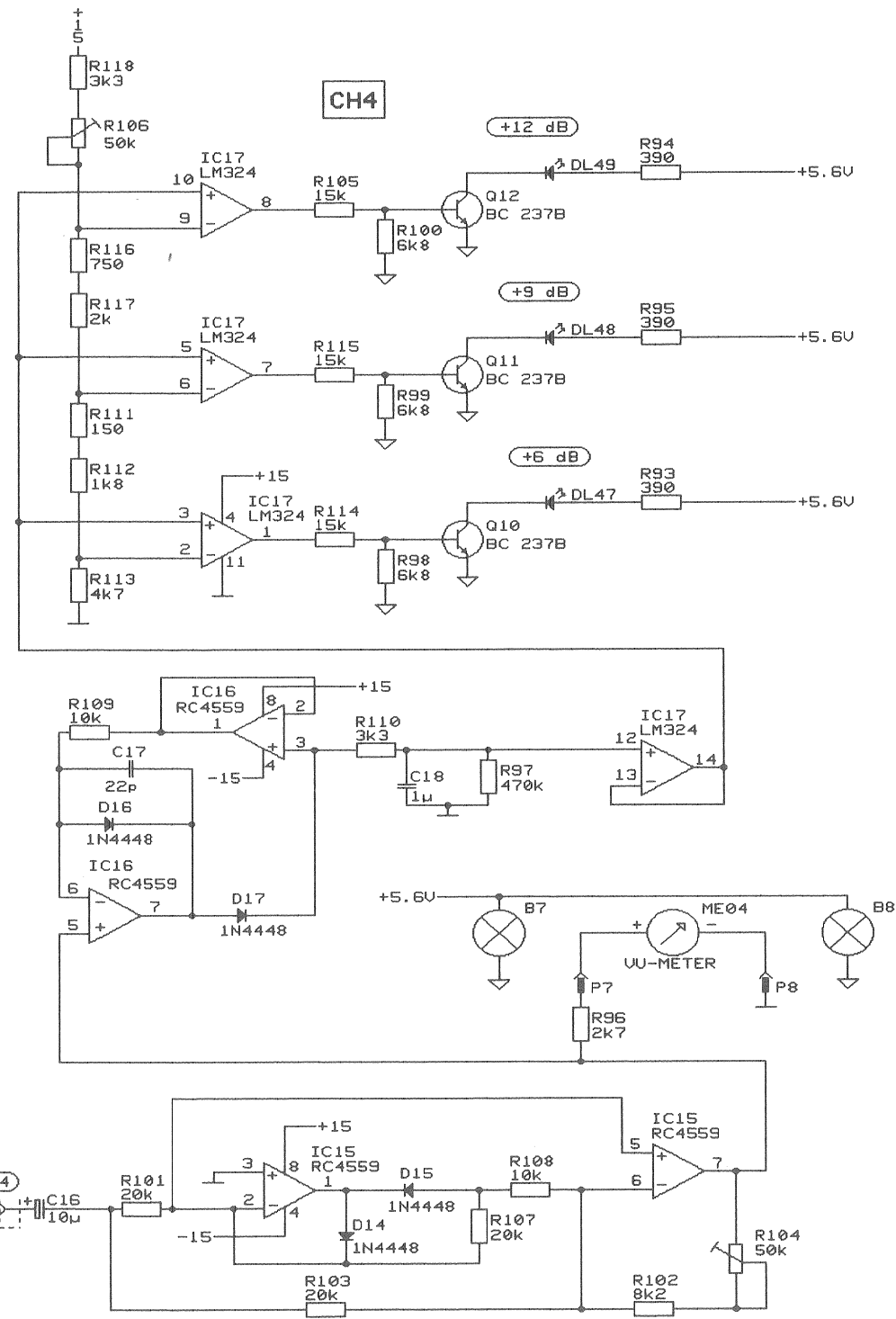
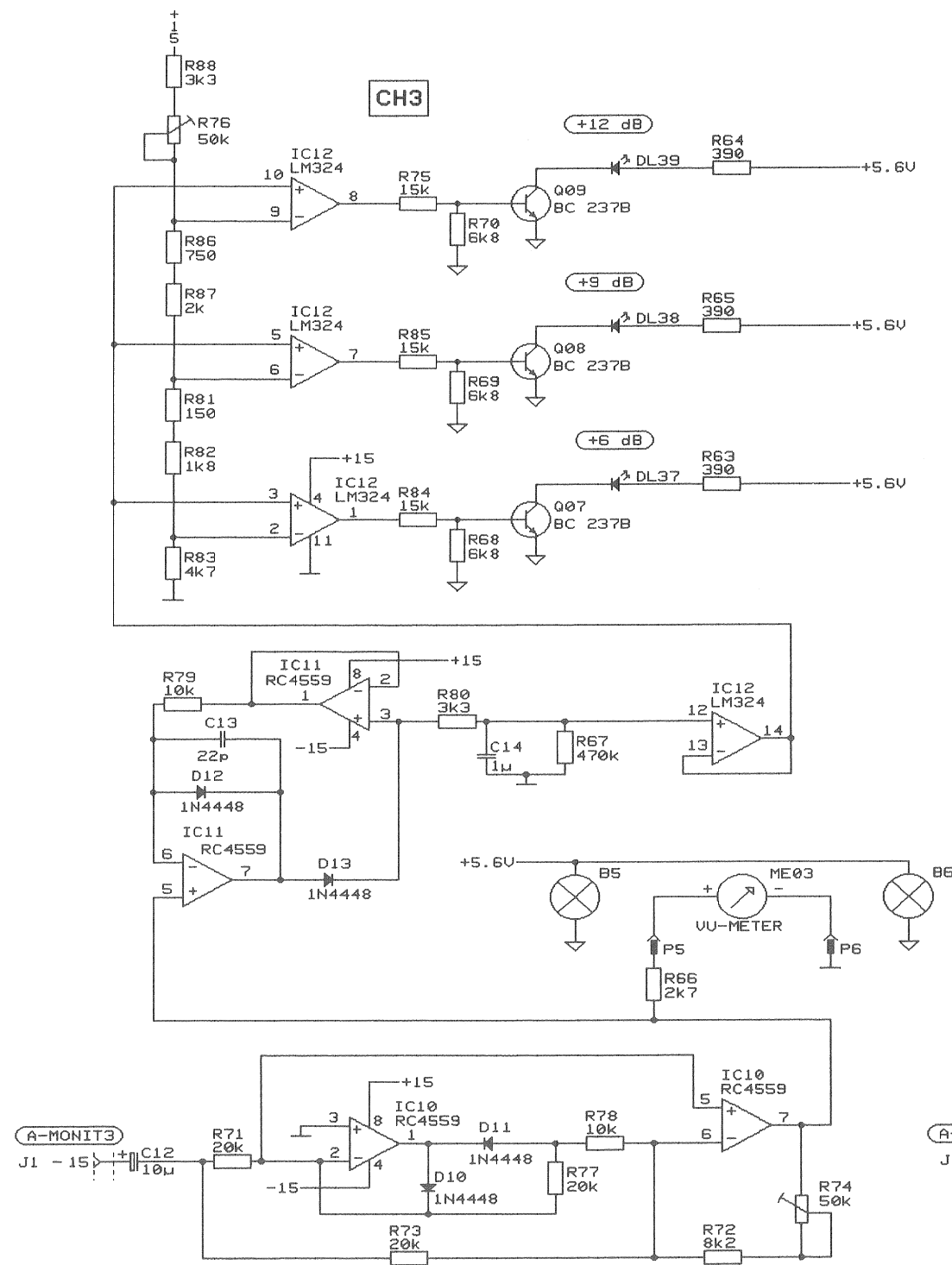


④ 20.03.89 DS	① 05.03.90 DS	② 13.11.90 DS	○	○
A 807-4 GR 94			PAGE 1 OF 3	
STUDER		VU-PANEL BOARD 4CH		SCH 1.727.945-00

VU-PANEL BOARD (4CH) 1.727.945.00

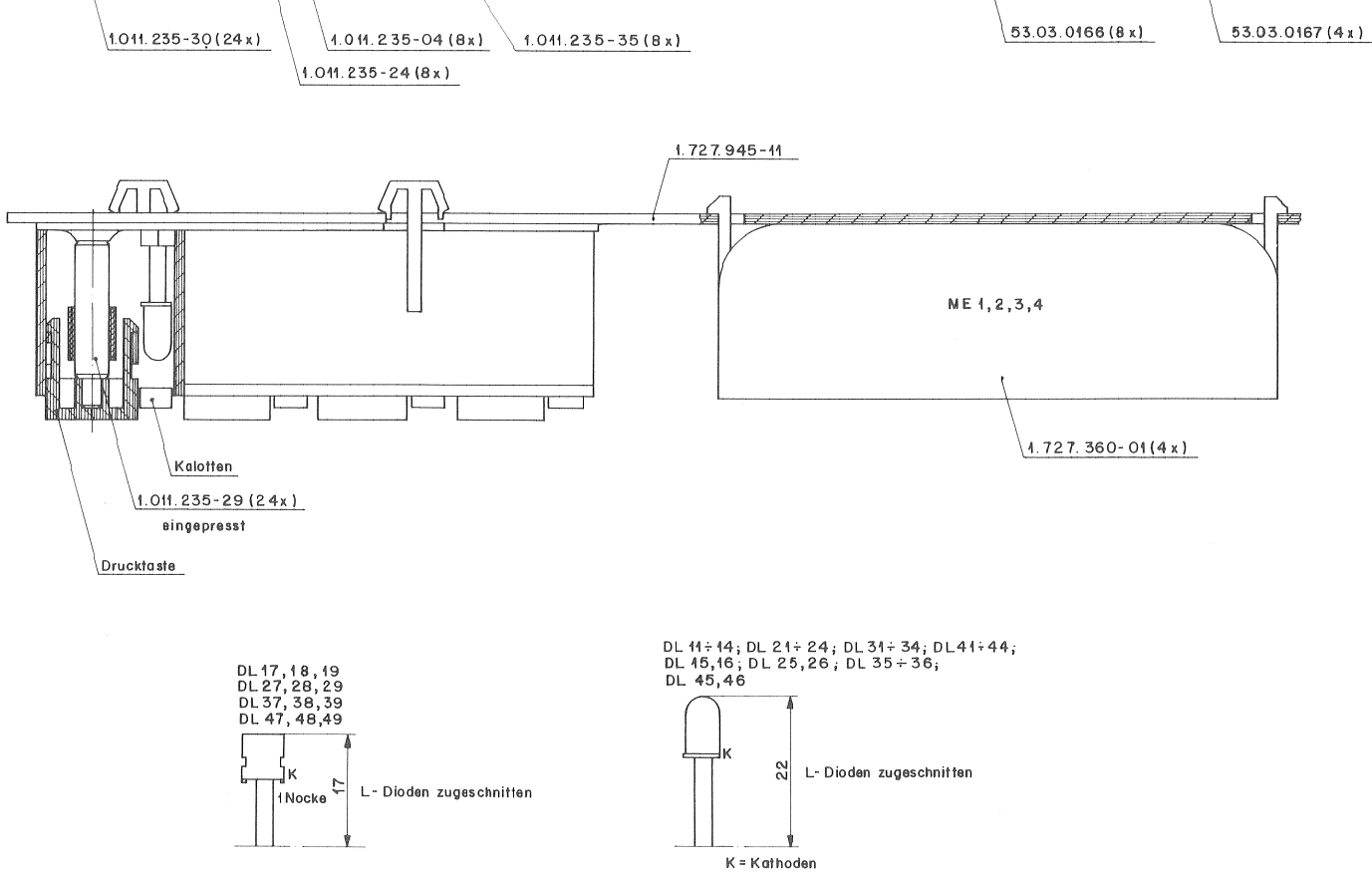
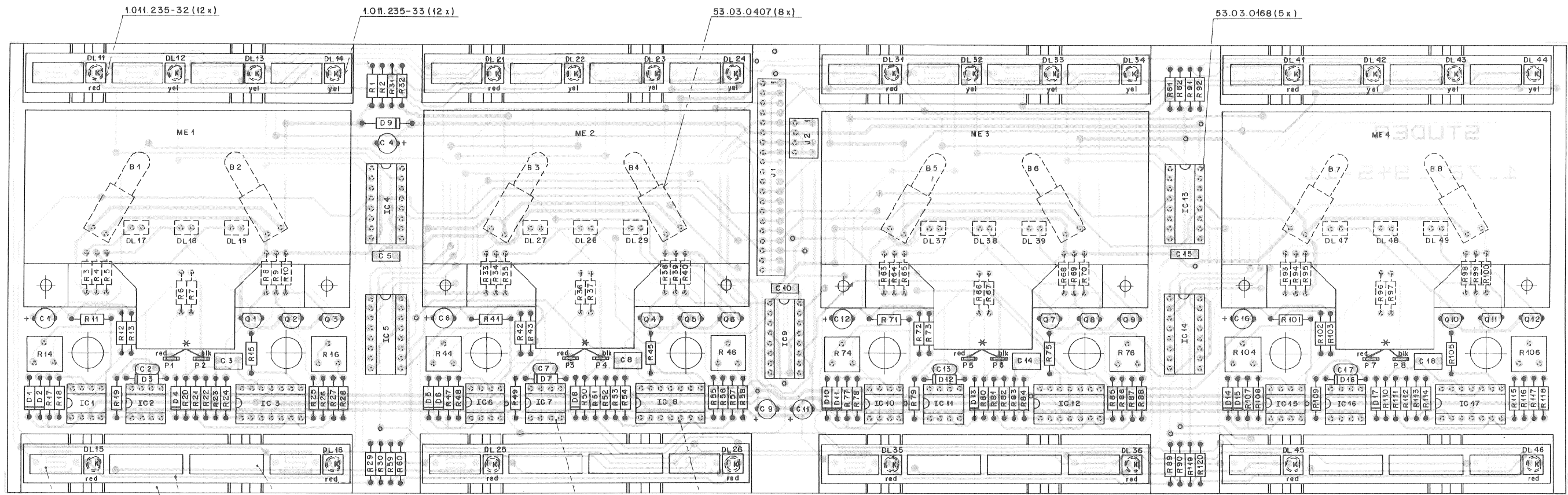


VU-PANEL BOARD (4CH) 1.727.945.00



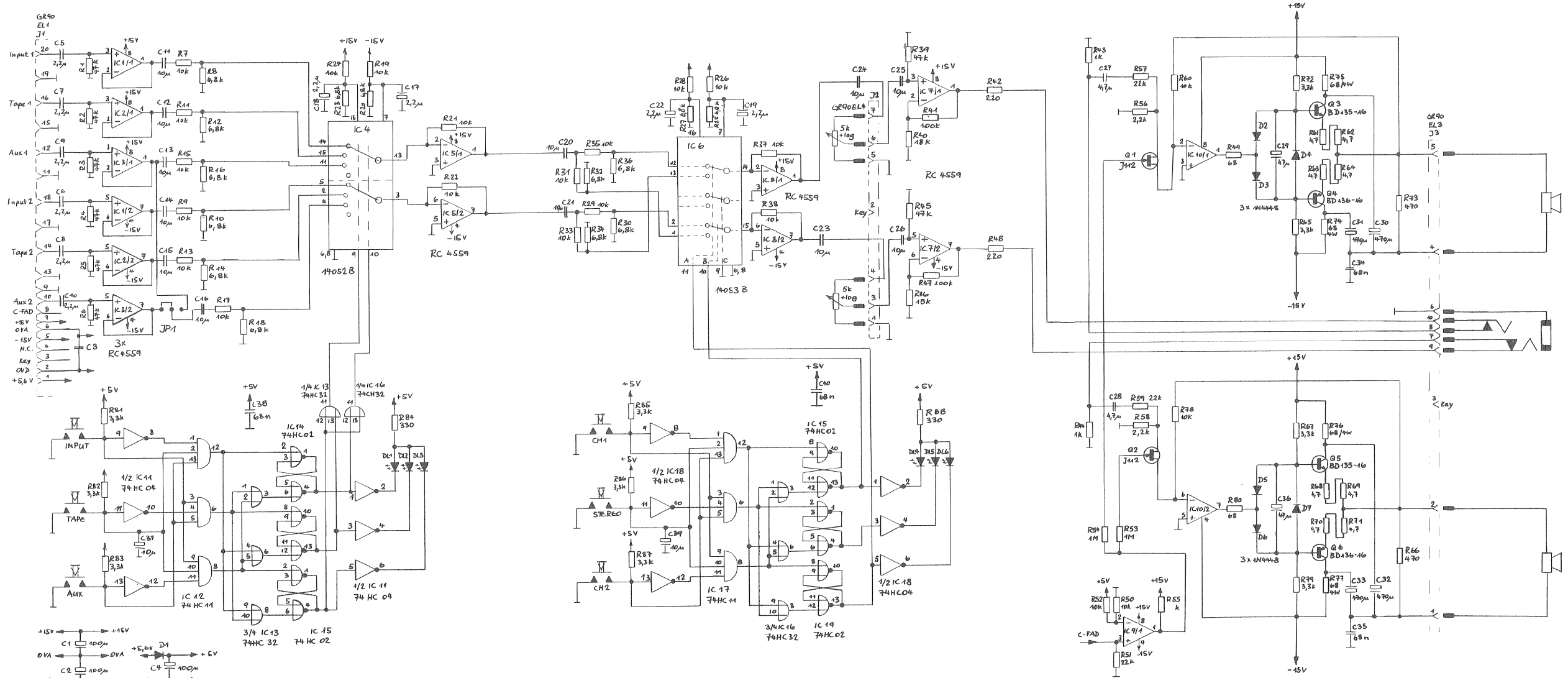
① 20.03.89 DS	① 05.03.90 DS	② 13.11.90 DS	○
A 807-4 GR 94			PAGE 3 OF 3
STUDER		UU-PANEL BOARD 4CH	SCH 1.727.945-00

VU-PANEL BOARD (4CH) 1.727.945.00



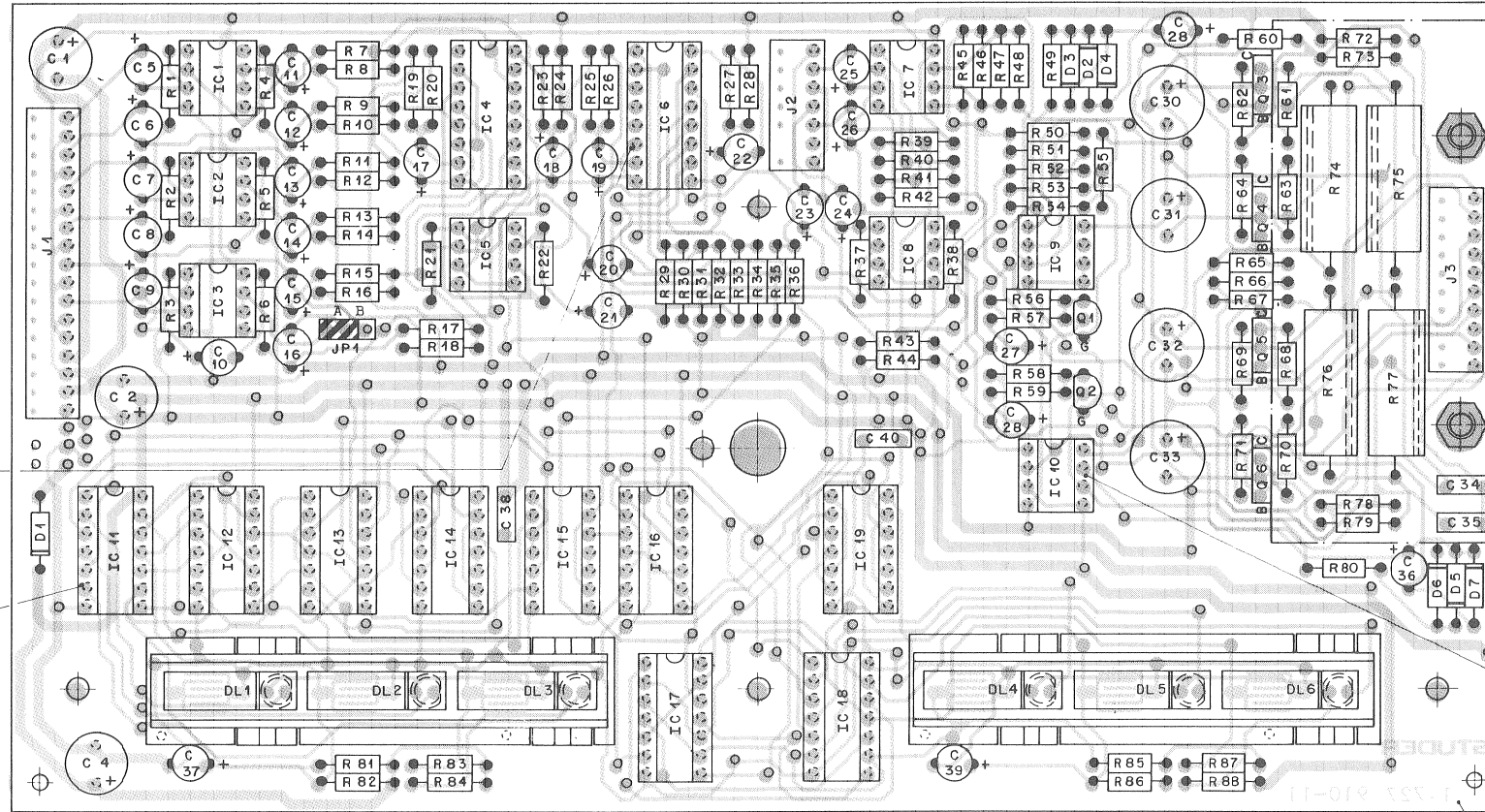
IND.	POS. NO.	PART NO.	VALUE	SPECIFICATIONS / EQUIVALENT	MANUF.	IND.	POS. NO.	PART NO.	VALUE	SPECIFICATIONS / EQUIVALENT	MANUF.
B...	1	51.02.0144	6 V	0.03 A	Lamp	D...	10	50.04.0125	1N4448	50 V Si	
B...	2	51.02.0144	6 V	0.03 A	Lamp	D...	11	50.04.0125	1N4448	50 V Si	
B...	3	51.02.0144	6 V	0.03 A	Lamp	D...	12	50.04.0125	1N4448	50 V Si	
B...	4	51.02.0144	6 V	0.03 A	Lamp	D...	13	50.04.0125	1N4448	50 V Si	
B...	5	51.02.0144	6 V	0.03 A	Lamp	D...	14	50.04.0125	1N4448	50 V Si	
B...	6	51.02.0144	6 V	0.03 A	Lamp	D...	15	50.04.0125	1N4448	50 V Si	
B...	7	51.02.0144	6 V	0.03 A	Lamp	D...	16	50.04.0125	1N4448	50 V Si	
B...	8	51.02.0144	6 V	0.03 A	Lamp	D...	17	50.04.0125	1N4448	50 V Si	
C...	1	59.22.6100	10 uF	-20% 25 V	EL	DL...	11	50.04.2115	MV5752	LED red D=5 mm	GI
C...	2	59.34.2220	22 pF	10% 50 V	CER	DL...	12	50.04.2500	MV5352	LED red D=5 mm	GI
C...	3	59.06.0105	1 uF	10% 50 V	PTTP	DL...	13	50.04.2500	MV5352	LED red D=5 mm	GI
C...	4	59.22.3101	100 uF	-20% 10 V	EL	DL...	14	50.04.2500	MV5352	LED red D=5 mm	GI
C...	5	59.06.0683	68 nF	10% 50 V	PTTP	DL...	15	50.04.2115	MV5752	LED red D=5 mm	GI
C...	6	59.22.6100	10 uF	-20% 25 V	EL	DL...	16	50.04.2115	MV5752	LED red D=5 mm	GI
C...	7	59.34.2220	22 pF	10% 50 V	CER	DL...	17	50.04.2119	MV57124	LED red 6.35x3.81 mm	GI
C...	8	59.06.0105	1 uF	10% 50 V	PTTP	DL...	18	50.04.2119	MV57124	LED red 6.35x3.81 mm	GI
C...	9	59.22.5220	22 uF	-20% 25 V	EL	DL...	19	50.04.2119	MV57124	LED red 6.35x3.81 mm	GI
C...	10	59.06.0683	68 nF	10% 50 V	PTTP	DL...	20	50.04.2115	MV5752	LED red D=5 mm	GI
C...	11	59.22.5220	22 uF	-20% 25 V	EL	DL...	21	50.04.2500	MV5352	LED red D=5 mm	GI
C...	12	59.22.6100	10 uF	-20% 25 V	EL	DL...	22	50.04.2500	MV5352	LED red D=5 mm	GI
C...	13	59.34.2220	22 pF	10% 50 V	CER	DL...	23	50.04.2500	MV5352	LED red D=5 mm	GI
C...	14	59.06.0105	1 uF	10% 50 V	PTTP	DL...	24	50.04.2115	MV5752	LED red D=5 mm	GI
C...	15	59.06.0683	68 nF	10% 50 V	PTTP	DL...	25	50.04.2115	MV5752	LED red D=5 mm	GI
C...	16	59.22.6100	10 uF	-20% 25 V	EL	DL...	26	50.04.2115	MV5752	LED red D=5 mm	GI
C...	17	59.34.2220	22 pF	10% 50 V	CER	DL...	27	50.04.2119	MV57124	LED red 6.35x3.81 mm	GI
C...	18	59.06.0105	1 uF	10% 50 V	PTTP	DL...	28	50.04.2119	MV57124	LED red 6.35x3.81 mm	GI
D...	1	50.04.0125	1N4448	50 V Si		DL...	29	50.04.2119	MV57124	LED red 6.35x3.81 mm	GI
D...	2	50.04.0125	1N4448	50 V Si		DL...	30	50.04.2115	MV5752	LED red D=5 mm	GI
D...	3	50.04.0125	1N4448	50 V Si		DL...	31	50.04.2500	MV5352	LED red D=5 mm	GI
D...	4	50.04.0125	1N4448	50 V Si		DL...	32	50.04.2500	MV5352	LED red D=5 mm	GI
D...	5	50.04.0125	1N4448	50 V Si		DL...	33	50.04.2500	MV5352	LED red D=5 mm	GI
D...	6	50.04.0125	1N4448	50 V Si		DL...	34	50.04.2500	MV5352	LED red D=5 mm	GI
D...	7	50.04.0125	1N4448	50 V Si		DL...	35	50.04.2115	MV5752	LED red D=5 mm	GI
D...	8	50.04.0125	1N4448	50 V Si		DL...	36	50.04.2115	MV5752	LED red D=5 mm	GI
D...	9	50.04.0512	1N5818	30 V Schottky		DL...	37	50.04.2119	MV57124	LED red 6.35x3.81 mm	GI
D...	10	50.04.0125	1N4448	50 V Si		DL...	38	50.04.2119	MV57124	LED red 6.35x3.81 mm	GI
D...	11	50.04.0125	1N4448	50 V Si		DL...	39	50.04.2119	MV57124	LED red 6.35x3.81 mm	GI
D...	12	50.04.0125	1N4448	50 V Si		DL...	40	50.04.2115	MV5752	LED red D=5 mm	GI

MONITOR BOARD 1.727.910.00



812,86	BK				
A807		PAGE 3 OF 3			
STUDER		MONITOR BOARD		1.727.910.00	

MONITOR BOARD 1.727.910.00



IND.	POS.-NO.	PART NO.	VALUE	SPECIFICATIONS / EQUIVALENT	MANUF.
C.....1		59.22.5101	100 uF	-20% 25 V EL	
C.....2		59.22.5101	100 uF	-20% 25 V EL	
C.....3		59.22.5101	not used		
C.....4		59.22.8229	2.2 uF	-20% 50 V EL	
C.....5		59.22.8229	2.2 uF	-20% 50 V EL	
C.....6		59.22.8229	2.2 uF	-20% 50 V EL	
C.....7		59.22.8229	2.2 uF	-20% 50 V EL	
C.....8		59.22.8229	2.2 uF	-20% 50 V EL	
C.....9		59.22.8229	2.2 uF	-20% 50 V EL	
C.....10		59.22.8229	2.2 uF	-20% 50 V EL	
C.....11		59.22.6100	10 uF	-20% 35 V EL	
C.....12		59.22.6100	10 uF	-20% 35 V EL	
C.....13		59.22.6100	10 uF	-20% 35 V EL	
C.....14		59.22.6100	10 uF	-20% 35 V EL	
C.....15		59.22.6100	10 uF	-20% 35 V EL	
C.....16		59.22.6100	10 uF	-20% 35 V EL	
C.....17		59.22.8229	2.2 uF	-20% 50 V EL	
C.....18		59.22.8229	2.2 uF	-20% 50 V EL	
C.....19		59.22.8229	2.2 uF	-20% 50 V EL	
C.....20		59.22.6100	10 uF	-20% 35 V EL	
C.....21		59.22.6100	10 uF	-20% 35 V EL	
C.....22		59.22.8229	2.2 uF	-20% 50 V EL	
C.....23		59.22.6100	10 uF	-20% 35 V EL	
C.....24		59.22.6100	10 uF	-20% 35 V EL	
C.....25		59.22.6100	10 uF	-20% 35 V EL	
C.....26		59.22.6100	10 uF	-20% 35 V EL	
C.....27		59.22.8479	4.7 uF	-20% 50 V EL	
C.....28		59.22.8479	4.7 uF	-20% 50 V EL	
C.....29		59.22.8479	4.7 uF	-20% 50 V EL	
C.....30		59.22.4471	470 uF	-20% 16 V EL	
C.....31		59.22.4471	470 uF	-20% 16 V EL	
C.....32		59.22.4471	470 uF	-20% 16 V EL	
C.....33		59.22.4471	470 uF	-20% 16 V EL	
C.....34		59.06.0683	68 nF	10% 63 V PE	
C.....35		59.06.0683	68 nF	10% 63 V PE	
C.....36		59.22.6100	10 uF	-20% 35 V EL	
C.....37		59.22.6100	10 uF	-20% 35 V EL	

STUDER (00) 86/07/11 BEC MONITOR BOARD 1.727.910.00 PAGE 1

IND.	POS.-NO.	PART NO.	VALUE	SPECIFICATIONS / EQUIVALENT	MANUF.
C.....38		59.06.0683	68 nF	10% 63 V PE	
C.....39		59.22.6100	10 uF	-20% 35 V EL	
C.....40		59.06.0683	68 nF	10% 63 V PE	
D.....1		50.04.0512	IN5818	30 V	
D.....2		50.04.0125	IN4448	75 V	
D.....3		50.04.0125	IN4448	75 V	
D.....4		50.04.0125	IN4448	75 V	
D.....5		50.04.0125	IN4448	75 V	
D.....6		50.04.0125	IN4448	75 V	
D.....7		50.04.0125	IN4448	75 V	
DL.....1		50.04.2500	MV5352	LED yel D=5mm	G1
DL.....2		50.04.2500	MV5352	LED yel D=5mm	G1
DL.....3		50.04.2500	MV5352	LED yel D=5mm	G1
DL.....4		50.04.2500	MV5352	LED yel D=5mm	G1
DL.....5		50.04.2500	MV5352	LED yel D=5mm	G1
DL.....6		50.04.2500	MV5352	LED yel D=5mm	G1
IC.....1		50.09.0107	RC 4559	DUAL OP-AMP.	
IC.....2		50.09.0107	RC 4559	DUAL OP-AMP.	
IC.....3		50.09.0107	RC 4559	DUAL OP-AMP.	
IC.....4		50.07.0024	MC14052	DUAL 4-CH AMUX	
IC.....5		50.09.0107	RC 4559	DUAL OP-AMP.	
IC.....6		50.07.0015	MC14053	TRIPLE 2-CH AMUX	
IC.....7		50.09.0107	RC 4559	DUAL OP-AMP.	
IC.....8		50.09.0107	RC 4559	DUAL OP-AMP.	
IC.....9		50.09.0107	RC 4559	DUAL OP-AMP.	
IC.....10		50.09.0107	RC 4559	DUAL OP-AMP.	
IC.....11		50.17.1004	74HC04	HEX INVERTER	
IC.....12		50.17.1011	74HC11	TRIP 3-INPUT AND GATE	
IC.....13		50.17.1032	74HC32	QUAD 2-INPUT OR GATE	
IC.....14		50.17.1002	74HC02	QUAD 2-INPUT NOR GATE	
IC.....15		50.17.1002	74HC02	QUAD 2-INPUT NOR GATE	
IC.....16		50.17.1032	74HC32	QUAD 2-INPUT OR GATE	
IC.....17		50.17.1011	74HC11	TRIP 3-INPUT AND GATE	
IC.....18		50.17.1004	74HC04	HEX INVERTER	

STUDER (00) 86/07/11 BEC MONITOR BOARD 1.727.910.00 PAGE 2

IND.	POS.-NO.	PART NO.	VALUE	SPECIFICATIONS / EQUIVALENT	MANUF.
IC.....19		50.17.1002	74HC02	QUAD 2-INPUT NOR GATE	
J.....1		54.01.0237	20-POLE	C15 Socket Strip	AMP
J.....2		54.01.0243	7-POLE	C15 Socket Strip	AMP
J.....3		54.01.0242	10-POLE	C15 Socket Strip	AMP
JP.....1		54.01.0021		Bridge	
MP.....1		1.727.910.11	1 pcs	Monitor PCB	
MP.....2		54.01.0020	3 pcs	Contact Pin	
MP.....3		1.727.910.01	1 pcs	Kuehlblech	
MP.....4		1.011.235.03	2 pcs	Tastengehaeuse 3er	
MP.....5		1.011.235.23	2 pcs	Schaltmatte 3er	
MP.....6		1.011.235.29	6 pcs	Bolzen	
MP.....7		1.011.235.30	6 pcs	Drucktaste	
MP.....8		1.011.235.33	6 pcs	Kalotte gelb	
MP.....9		1.727.910.10	0 pcs	No-Schicht	
MP.....10		53.03.0221	6 pcs	LED Socket	
MP.....11		1.010.050.22	2 pcs	Distanzbohlen 18mm	
MP.....12		21.53.0355	2 pcs	Schrauben M3,8mm	
MP.....13		24.16.1030	2 pcs	Sicherscheiben	
MP.....14		50.20.2002	4 pcs	Transistorencaps	
MP.....15		50.20.0314	4 pcs	Isolierscheiben	
Q.....1		50.03.0350	MPF4392	J112 FET	
Q.....2		50.03.0350	MPF4392	J112 FET	
Q.....3		50.03.0495	BD135-16	NPN	
Q.....4		50.03.0510	BD135-16	PNP	
Q.....5		50.03.0495	BD135-16	NPN	
Q.....6		50.03.0510	BD135-16	PNP	
R.....1		57.11.4473	47 kOhm	2%, 0.25W, MF	
R.....2		57.11.4473	47 kOhm	2%, 0.25W, MF	
R.....3		57.11.4473	47 kOhm	2%, 0.25W, MF	
R.....4		57.11.4473	47 kOhm	2%, 0.25W, MF	
R.....5		57.11.4473	47 kOhm	2%, 0.25W, MF	
R.....6		57.11.4473	47 kOhm	2%, 0.25W, MF	

STUDER (00) 86/07/11 BEC MONITOR BOARD 1.727.910.00 PAGE 3

53.03.0168 (2x)

53.03.0167 (9x)

53.03.0166 (8x)

50.20.2002 (4x)

1.011.235-23 (2x)

1.011.235-03 (2x)

50.20.0344 (4x)

1.727.940-11

1.010.050-22 (2x)

1.727.940-04

24.53.0355 (2x)

24.16.1030 (2x)

1.011.235-29 (6x)

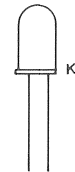
1.011.235-30 (6x)

1.011.235-33 (6x)

yel

FACTORY STANDARD SETTING

JP1: A = AUX STEREO
B = AUX1 ONLY



K = CATHODE

MONITOR BOARD 1.727.910.00

IND.	POS.NO.	PART NO.	VALUE	SPECIFICATIONS / EQUIVALENT	MANUF.
R.....7		57.11.4103	10 kOhm	2%, 0.25W, MF	
R.....8		57.11.4682	6.8 kOhm	2%, 0.25W, MF	
R.....9		57.11.4103	10 kOhm	2%, 0.25W, MF	
R.....10		57.11.4682	6.8 kOhm	2%, 0.25W, MF	
R.....11		57.11.4103	10 kOhm	2%, 0.25W, MF	
R.....12		57.11.4682	6.8 kOhm	2%, 0.25W, MF	
R.....13		57.11.4103	10 kOhm	2%, 0.25W, MF	
R.....14		57.11.4682	6.8 kOhm	2%, 0.25W, MF	
R.....15		57.11.4103	10 kOhm	2%, 0.25W, MF	
R.....16		57.11.4682	6.8 kOhm	2%, 0.25W, MF	
R.....17		57.11.4103	10 kOhm	2%, 0.25W, MF	
R.....18		57.11.4682	6.8 kOhm	2%, 0.25W, MF	
R.....19		57.11.4103	10 kOhm	2%, 0.25W, MF	
R.....20		57.11.4682	6.8 kOhm	2%, 0.25W, MF	
R.....21		57.11.4103	10 kOhm	2%, 0.25W, MF	
R.....22		57.11.4103	10 kOhm	2%, 0.25W, MF	
R.....23		57.11.4682	6.8 kOhm	2%, 0.25W, MF	
R.....24		57.11.4103	10 kOhm	2%, 0.25W, MF	
R.....25		57.11.4682	6.8 kOhm	2%, 0.25W, MF	
R.....26		57.11.4103	10 kOhm	2%, 0.25W, MF	
R.....27		57.11.4682	6.8 kOhm	2%, 0.25W, MF	
R.....28		57.11.4103	10 kOhm	2%, 0.25W, MF	
R.....29		57.11.4103	10 kOhm	2%, 0.25W, MF	
R.....30		57.11.4682	6.8 kOhm	2%, 0.25W, MF	
R.....31		57.11.4103	10 kOhm	2%, 0.25W, MF	
R.....32		57.11.4682	6.8 kOhm	2%, 0.25W, MF	
R.....33		57.11.4103	10 kOhm	2%, 0.25W, MF	
R.....34		57.11.4682	6.8 kOhm	2%, 0.25W, MF	
R.....35		57.11.4103	10 kOhm	2%, 0.25W, MF	
R.....36		57.11.4682	6.8 kOhm	2%, 0.25W, MF	
R.....37		57.11.4103	10 kOhm	2%, 0.25W, MF	
R.....38		57.11.4103	10 kOhm	2%, 0.25W, MF	
R.....39		57.11.4473	47 kOhm	2%, 0.25W, MF	
R.....40		57.11.4183	18 kOhm	2%, 0.25W, MF	
R.....41		57.11.4104	100 kOhm	2%, 0.25W, MF	
R.....42		57.11.4221	220 Ohm	2%, 0.25W, MF	
R.....43		57.11.4102	1 kOhm	2%, 0.25W, MF	

S T U D E R (00) 86/07/11 BEC MONITOR BOARD 1.727.910.00 PAGE 4

IND.	POS.NO.	PART NO.	VALUE	SPECIFICATIONS / EQUIVALENT	MANUF.
R.....81		57.11.4332	3.3 kOhm	2%, 0.25W, MF	
R.....82		57.11.4332	3.3 kOhm	2%, 0.25W, MF	
R.....83		57.11.4332	3.3 kOhm	2%, 0.25W, MF	
R.....84		57.11.4331	330 Ohm	2%, 0.25W, MF	
R.....85		57.11.4332	3.3 kOhm	2%, 0.25W, MF	
R.....86		57.11.4332	3.3 kOhm	2%, 0.25W, MF	
R.....87		57.11.4332	3.3 kOhm	2%, 0.25W, MF	
R.....88		57.11.4331	330 Ohm	2%, 0.25W, MF	
XIC...1		54.03.0166	8 Pole	IC Socket	
XIC...2		54.03.0166	8 Pole	IC Socket	
XIC...3		54.03.0166	8 Pole	IC Socket	
XIC...4		54.03.0168	16 Pole	IC Socket	
XIC...5		54.03.0166	8 Pole	IC Socket	
XIC...6		54.03.0168	16 Pole	IC Socket	
XIC...7		54.03.0166	8 Pole	IC Socket	
XIC...8		54.03.0166	8 Pole	IC Socket	
XIC...9		54.03.0166	8 Pole	IC Socket	
XIC...10		54.03.0166	8 Pole	IC Socket	
XIC...11		54.03.0167	14 Pole	IC Socket	
XIC...12		54.03.0167	14 Pole	IC Socket	
XIC...13		54.03.0167	14 Pole	IC Socket	
XIC...14		54.03.0167	14 Pole	IC Socket	
XIC...15		54.03.0167	14 Pole	IC Socket	
XIC...16		54.03.0167	14 Pole	IC Socket	
XIC...17		54.03.0167	14 Pole	IC Socket	
XIC...18		54.03.0167	14 Pole	IC Socket	
XIC...19		54.03.0167	14 Pole	IC Socket	

EL=Electrolytic, PP=Polypropylene, SI=Silicon, MF=Metal Film
MANUFACTURER:

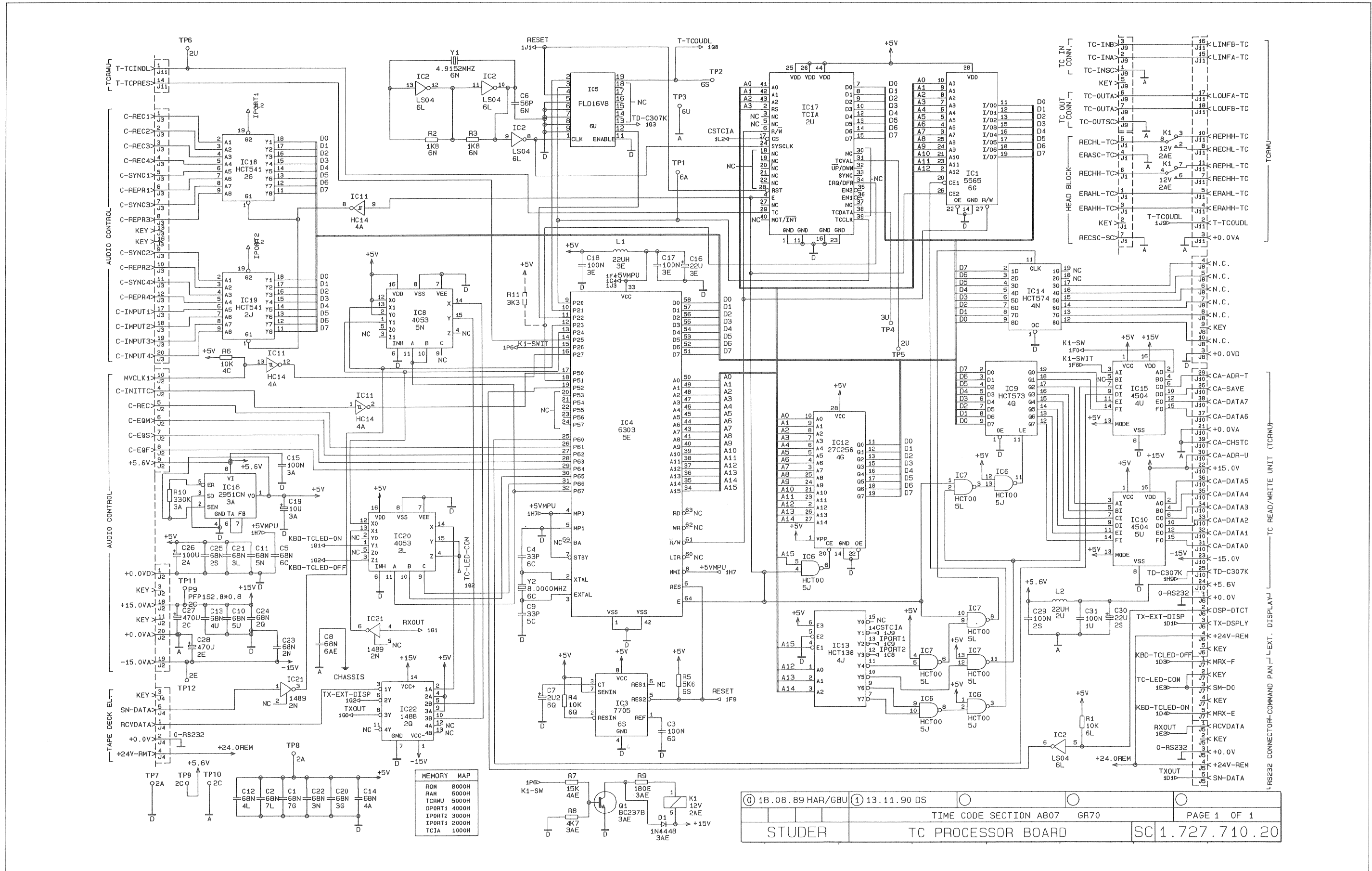
ORIG 86/07/11

S T U D E R (00) 86/07/11 BEC MONITOR BOARD 1.727.910.00 PAGE 6

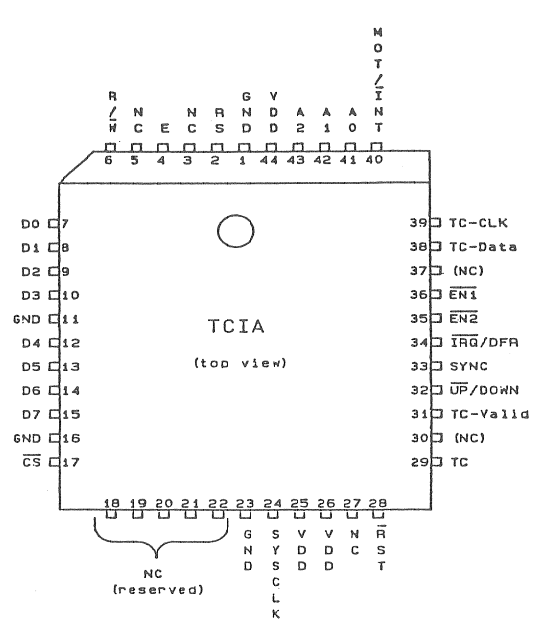
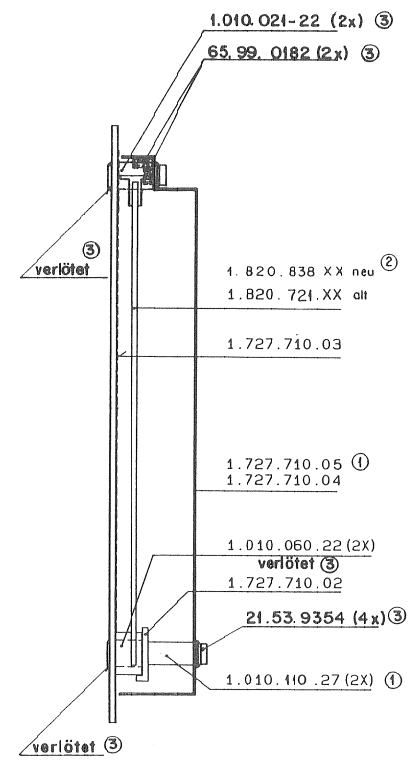
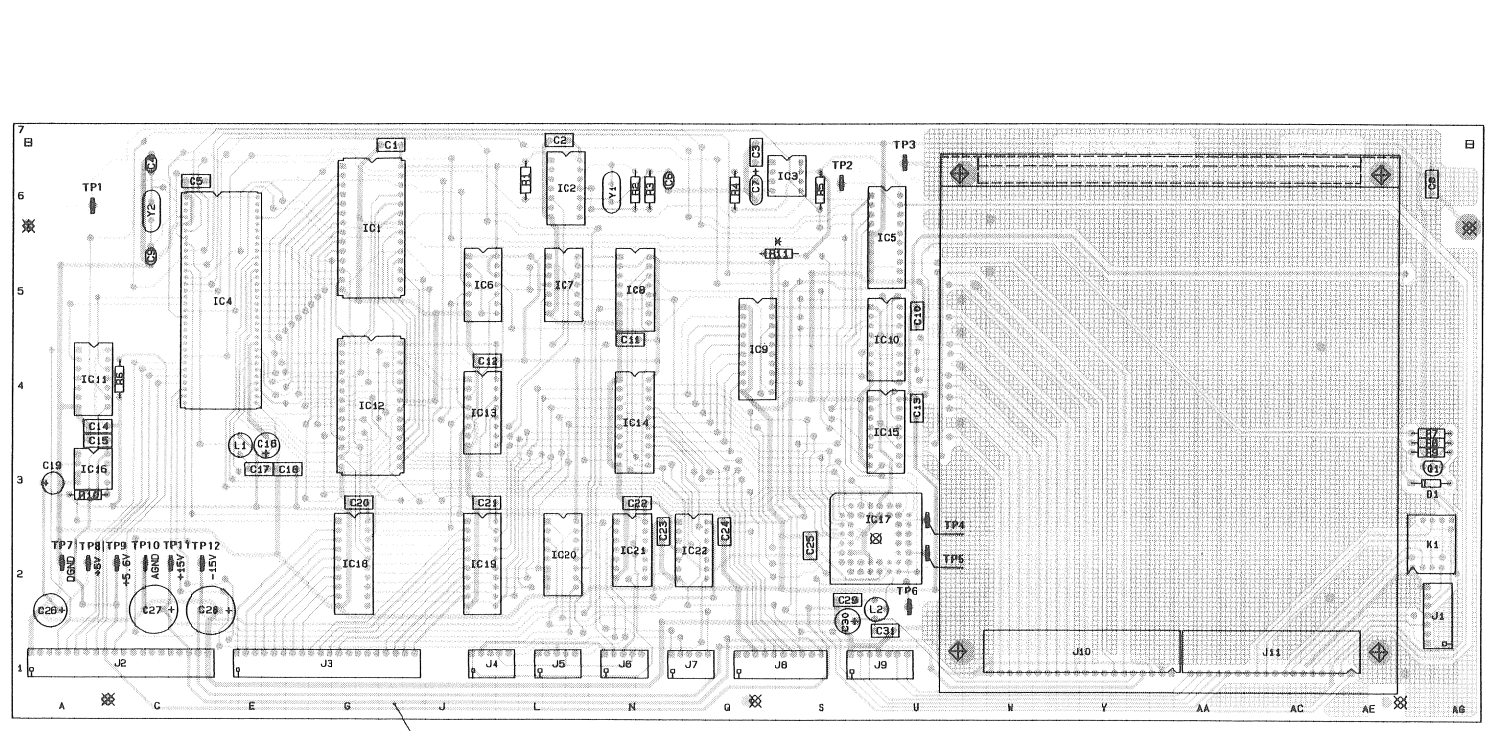
IND.	POS.NO.	PART NO.	VALUE	SPECIFICATIONS / EQUIVALENT	MANUF.
R.....44		57.11.4102	1 kOhm	2%, 0.25W, MF	
R.....45		57.11.4473	47 kOhm	2%, 0.25W, MF	
R.....46		57.11.4183	18 kOhm	2%, 0.25W, MF	
R.....47		57.11.4104	100 kOhm	2%, 0.25W, MF	
R.....48		57.11.4221	220 Ohm	2%, 0.25W, MF	
R.....49		57.11.4680	68 Ohm	2%, 0.25W, MF	
R.....50		57.11.4103	10 kOhm	2%, 0.25W, MF	
R.....51		57.11.4223	22 kOhm	2%, 0.25W, MF	
R.....52		57.11.4103	10 kOhm	2%, 0.25W, MF	
R.....53		57.11.4105	1 MOhm	2%, 0.25W, MF	
R.....54		57.11.4105	1 MOhm	2%, 0.25W, MF	
R.....55		57.11.4223	22 kOhm	2%, 0.25W, MF	
R.....56		57.11.4222	2.2 kOhm	2%, 0.25W, MF	
R.....57		57.11.4223	22 kOhm	2%, 0.25W, MF	
R.....58		57.11.4222	2.2 kOhm	2%, 0.25W, MF	
R.....59		57.11.4223	22 kOhm	2%, 0.25W, MF	
R.....60		57.11.4103	10 kOhm	2%, 0.25W, MF	
R.....61		57.11.4479	4.7 Ohm	2%, 0.25W, MF	
R.....62		57.11.4479	4.7 Ohm	2%, 0.25W, MF	
R.....63		57.11.4479	4.7 Ohm	2%, 0.25W, MF	
R.....64		57.11.4479	4.7 Ohm	2%, 0.25W, MF	
R.....65		57.11.4332	3.3 kOhm	2%, 0.25W, MF	
R.....66		57.11.4471	470 Ohm	2%, 0.25W, MF	
R.....67		57.11.4332	3.3 kOhm	2%, 0.25W, MF	
R.....68		57.11.4479	4.7 Ohm	2%, 0.25W, MF	
R.....69		57.11.4479	4.7 Ohm	2%, 0.25W, MF	
R.....70		57.11.4479	4.7 Ohm	2%, 0.25W, MF	
R.....71		57.11.4479	4.7 Ohm	2%, 0.25W, MF	
R.....72		57.11.4332	3.3 kOhm	2%, 0.25W, MF	
R.....73		57.11.4471	470 Ohm	2%, 0.25W, MF	
R.....74		57.56.5680	68 Ohm	2%, 4 W, DR	
R.....75		57.56.5680	68 Ohm	2%, 4 W, DR	
R.....76		57.56.5680	68 Ohm	2%, 4 W, DR	
R.....77		57.56.5680	68 Ohm	2%, 4 W, DR	
R.....78		57.11.4103	10 kOhm	2%, 0.25W, MF	
R.....79		57.11.4332	3.3 kOhm	2%, 0.25W, MF	
R.....80		57.11.4680	68 Ohm	2%, 0.25W, MF	

S T U D E R (00) 86/07/11 BEC MONITOR BOARD 1.727.910.00 PAGE 5

TIME CODE PROCESSOR BOARD 1.727.710.20



TIME CODE PROCESSOR BAORD 1.727.710.20

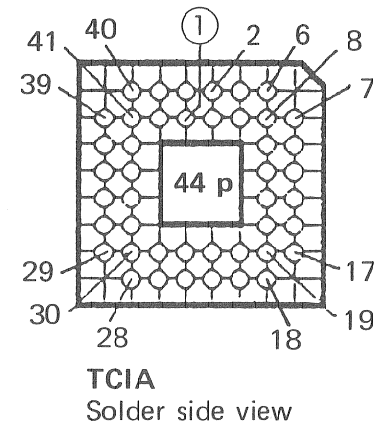


STECKER	CODIERUNG IN LOCH NR.
J1	2
J2	11
J3	13
J4	3
J5	2
J6	5
J7	2 UND 4
J8	9
J9	5

* MANUELL BESTUECKT
NR. ETIKETTE 1.727.710-10, 43.01.0108, 1.101.001-20
AUFGEKLEBT NACH FABRIKATIONSMUSTER

CODIERUNG: SCHALTDRAHT 69.01.0108 0.8 X 6MM
(MUSS 1MM VORSTEHEN)

- TP1 Timecode clock signal
- TP2 Timecode delayed
- TP3 +0VA
- TP4 Timecode data
- TP5 Timecode valid signal
- TP6 Timecode input signal
- TP7 +0VD
- TP8 +5.0V
- TP9 +5.6V
- TP10 +0VA
- TP11 +15V
- TP12 -15V



IND.	POS.NO.	PART NO.	VALUE	SPECIFICATIONS / EQUIVALENT	MANUF.
TP...1	54.02.0320			Test Point	ANP
TP...2	54.02.0320			Test Point	ANP
TP...3	54.02.0320			Test Point	ANP
TP...4	54.02.0320			Test Point	ANP
TP...5	54.02.0320			Test Point	ANP
TP...6	54.02.0320			Test Point	ANP
TP...7	54.02.0320			Test Point	ANP
TP...8	54.02.0320			Test Point	ANP
TP...9	54.02.0320			Test Point	ANP
TP...10	54.02.0320			Test Point	ANP
TP...11	54.02.0320			Test Point	ANP
TP...12	54.02.0320			Test Point	ANP
XIC...1	53.03.0173	28 Pole		IC Socket	
XIC...2	53.03.0167	14 Pole		IC Socket	
XIC...3	53.03.0166	8 Pole		IC Socket	
XIC...4	53.03.0364	64 Pole		IC Socket	
XIC...5	53.03.0165	20 Pole		IC Socket	
XIC...6	53.03.0167	14 Pole		IC Socket	
XIC...7	53.03.0167	14 Pole		IC Socket	
XIC...8	53.03.0168	16 Pole		IC Socket	
XIC...9	53.03.0165	20 Pole		IC Socket	
XIC...10	53.03.0168	16 Pole		IC Socket	
XIC...11	53.03.0167	14 Pole		IC Socket	
XIC...12	53.03.0173	28 Pole		IC Socket	
XIC...13	53.03.0168	16 Pole		IC Socket	
XIC...14	53.03.0165	20 Pole		IC Socket	
XIC...15	53.03.0168	16 Pole		IC Socket	
XIC...16	53.03.0166	8 Pole		IC Socket	
XIC...17	53.03.2244	44 Pole		IC Socket	
XIC...18	53.03.0165	20 Pole		IC Socket	
XIC...19	53.03.0165	20 Pole		IC Socket	
XIC...20	53.03.0168	16 Pole		IC Socket	
XIC...21	53.03.0167	14 Pole		IC Socket	
XIC...22	53.03.0167	14 Pole		IC Socket	
Y....1	89.01.0560	4.9152 MHz		Quarz TD 18	

IND.	POS.NO.	PART NO.	VALUE	SPECIFICATIONS / EQUIVALENT	MANUF.
A....1	1.820.721.86			Time Code Read-Write Unit	St
C....1	59.06.0683	68 nF	10%	63 V PETP	
C....2	59.06.0683	68 nF	10%	63 V PETP	
C....3	59.06.0104	100 nF	10%	63 V PETP	
C....4	59.06.5104	100 nF	5%	63 V PETP	
C....5	59.34.2330	33 pF	5%	63 V CER	
C....6	59.34.4560	68 pF	10%	63 V PETP	
C....7	59.26.2229	2.2 uF	20%	16 V SAL	
C....8	59.06.0683	68 nF	10%	63 V PETP	
C....9	59.34.2330	33 pF	5%	63 V CER	
C....10	59.06.0683	68 nF	10%	63 V PETP	
C....11	59.06.0683	68 nF	10%	63 V PETP	
C....12	59.06.0683	68 nF	10%	63 V PETP	
C....13	59.06.0683	68 nF	10%	63 V PETP	
C....14	59.06.0683	68 nF	10%	63 V PETP	
C....15	59.06.0104	100 nF	10%	63 V PETP	
C....16	59.22.6220	22 nF	-20%	35 V EL	
C....17	59.06.0104	100 nF	10%	25 V PETP	
C....18	59.06.0104	100 nF	10%	63 V PETP	
C....19	59.22.6100	10 nF	-20%	35 V EL	
C....20	59.06.0683	68 nF	10%	63 V PETP	
C....21	59.06.0683	68 nF	10%	63 V PETP	
C....22	59.06.0683	68 nF	10%	63 V PETP	
C....23	59.06.0683	68 nF	10%	63 V PETP	
C....24	59.06.0683	68 nF	10%	63 V PETP	
C....25	59.06.0683	68 nF	10%	63 V PETP	
C....26	59.22.5101	100 nF	-20%	25 V EL	
C....27	59.22.5471	470 nF	-20%	25 V EL	
C....28	59.22.5471	470 nF	-20%	25 V EL	
C....29	59.06.0104	100 nF	10%	63 V PETP	
C....30	59.22.6220	22 nF	-20%	35 V EL	
C....31	59.06.0104	100 nF	10%	63 V PETP	
D....1	50.04.0125	18A448		Diode	

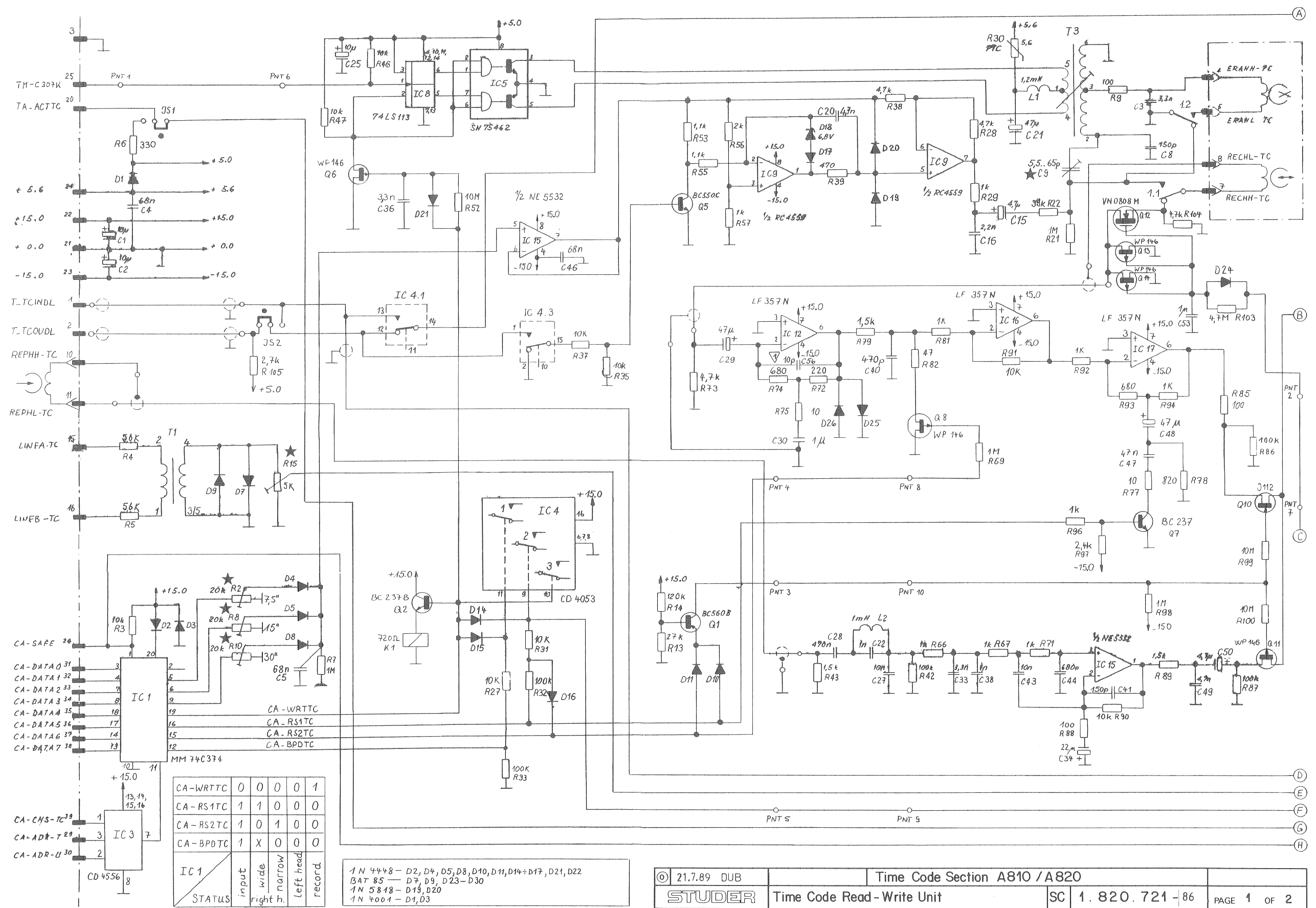
IND.	POS.NO.	PART NO.	VALUE	SPECIFICATIONS / EQUIVALENT	MANUF.
IC....1	50.14.0133	CD6264LP15		Hex Inverter	
IC....2	50.06.0004	74 LS 04		Hex Inverter	
IC....3	50.11.0122	TL7705ACP		Reset Circuit	
IC....4	50.16.0121	H063803ZF		8-Bit Microprocessor	
IC....5	50.18.0100	6AL 16 V		TC Biphaser Conv. SW	1.727.712.20 St
IC....6	50.17.0000	74 HCT 00		Quad 2-Input NAND Gate	
IC....7	50.17.0000	74 HCT 00		Quad 2-Input NAND Gate	
IC....8	50.07.0015	MC 14053		Triple 3-Ch Analog Switch, CMOS	
IC....9	50.17.0573	74 HCT573		Octal D-Type Trans. Latch	
IC....10	50.15.0103	MC 14504B		Hex in/out Voltage Level Shifter	
IC....11	50.17.1014	74 HC 14		Hex Schmitt-Trigger Inverter	
IC....12	50.14.2004	HN27C256		EPROM, SW A807 TCP XX/89, 1.727.711.20	St
IC....13	50.17.0138	74 HCT138		H-Cmos 3/8 Decoder	
IC....14	50.17.0574	74 HCT574		Octal D-Type Flip-Flop	
IC....15	50.15.0103	MC 14504B		Hex in/out Voltage Level Shifter	
IC....16	50.10.0115	LF2951		Voltage Regulator	
IC....17	50.50.0020	TCIA		SN74E138 3-Input Decoder	
IC....18	50.17.0541	74 HCT541		H-CMOS Octal Buffer	
IC....19	50.17.0541	74 HCT541		H-CMOS Octal Buffer	
IC....20	50.07.0015	MC 14053		Triple 3-Ch Analog Switch, CMOS	
IC....21	50.15.0116	MC 1489 P		Quad Line Receiver RS 232	
IC....22	50.15.0106	MC 1488 P		Quad Line Driver RS 232	
J....1	54.01.0218	7-Pole		CIS Socket Strip	ANP
J....2	54.01.0226	20-Pole		CIS Socket Strip	ANP
J....3	54.01.0226	20-Pole		CIS Socket Strip	ANP
J....4	54.01.0288	5-Pole		CIS Socket Strip	ANP
J....5	54.01.0288	5-Pole		CIS Socket Strip	ANP
J....6	54.01.0288	5-Pole		CIS Socket Strip	ANP
J....7	54.01.0288	5-Pole		CIS Socket Strip	ANP
J....8	54.01.0290	10-Pole		CIS Socket Strip	ANP
J....9	54.01.0218	7-Pole		CIS Socket Strip	ANP
J....10	54.10.2026	20 Pole		Print Socket Strip	
J....11	54.10.2015	18 Pole		Print Socket Strip	

IND.	POS.NO.	PART NO.	VALUE	SPECIFICATIONS / EQUIVALENT	MANUF.
K....1	56.04.0171		12 V	Relais 2U	
L....1	62.02.3220		22 MH		
L....2	62.02.3220		22 MH		
MP....1	1.727.710.11		1 pcs	TC Processor PCB	St
MP....2	1.010.049.22		2 pcs	Rivet bolt, M3 x 10	St
MP....3	1.010.021.22		2 pcs	Rivet bolt, M3 x 10, 5	St
MP....4	1.010.060.22		2 pcs	Rivet bolt, M3 x 7	St
MP....5	1.727.710.02		1 pcs	Mounting profile	St
MP....6	1.727.710.01		1 pcs	Screen bonnet	St
MP....7	21.53.0354		4 pcs	Screw, M3 x 6	
MP....8	21.53.9354		4 pcs	Screw, M3 x 6	
MP....9	23.01.1032		4 pcs	Washer M3	
MP....10	not used			not used	
MP....11	24.16.1030		4 pcs	Washer M3	
MP....12	not used			not used	
MP....13	1.010.101.27		2 pcs	Screw bolt, M3 x 12	
MP....14	1.010.110.27		2 pcs	Screw bolt, M3 x 18	
MP....15	65.99.0182		3 pcs	Foam rubber strips, l=94	
MP....16	1.727.710.03		1 pcs	Isolation	St
MP....17	1.727.710.04		1 pcs	Text Label	St
Q....1	50.03.0436	BC237B		NPN	
R....1	57.11.3103		10 kOhm	1%, 0.25W, MF	
R....2	57.11.3182		1.8 kOhm	1%, 0.25W, MF	
R....3	57.11.3182		1.8 kOhm	1%, 0.25W, MF	
R....4	57.11.3103		10 kOhm	1%, 0.25W, MF	
R....5	57.11.3562		5.6 kOhm	1%, 0.25W, MF	
R....6	57.11.3103		10 kOhm	1%, 0.25W, MF	
R....7	57.11.3153		15 kOhm	1%, 0.25W, MF	
R....8	57.11.3472		4.7 kOhm	1%, 0.25W, MF	
R....9	57.11.3181		180 Ohm	1%, 0.25W, MF	
R....10	57.11.3334		330 kOhm	1%, 0.25W, MF	
R....11	57.11.3332		3.3 kOhm	1%, 0.25W, MF	
R....12	57.11.3332		3.3 kOhm	1%, 0.25W, MF	

IND.	POS.NO.	PART NO.	VALUE	SPECIFICATIONS / EQUIVALENT	MANUF.
Y....2	89.01.1008		8.0000 MHz	Quarz TD 18	

- ★ R15: LINE INPUT CALIBRATION RECORD
- ★ R2: RECORD LEVEL SETTING FOR 7.5" (3 1/4 IPS)
- ★ R8: RECORD LEVEL SETTING FOR 15"
- ★ R10: RECORD LEVEL SETTING FOR 30"
- ★ C9: BIAS CURRENT ALIGNMENT

TIME CODE READ-WRITE UNIT 1.820.721.86

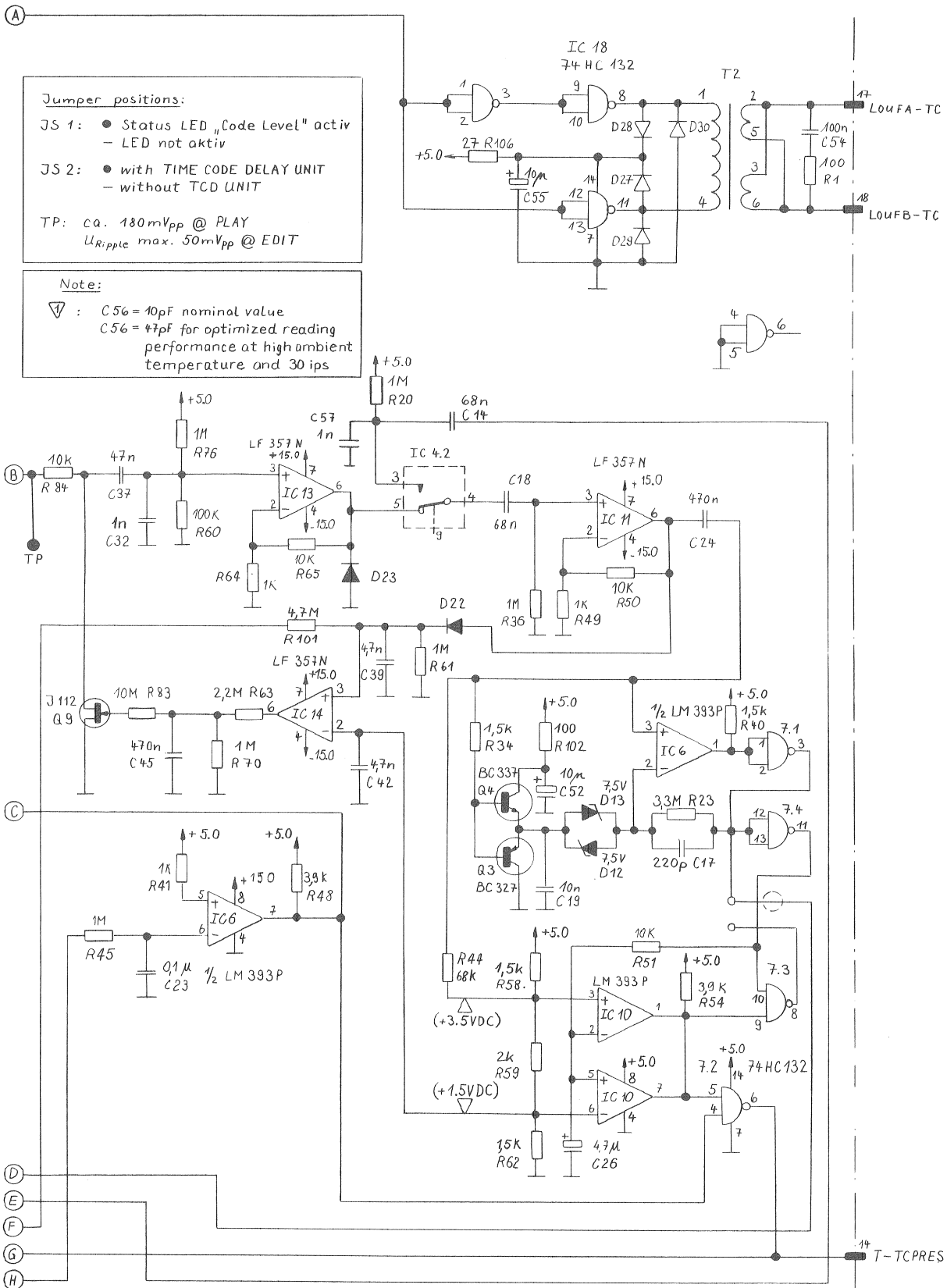


CA-WRTTC	0	0	0	0	1
CA-RS1TC	1	1	0	0	0
CA-RS2TC	1	0	1	0	0
CA-BPDTTC	1	X	0	0	0
IC 1	STATUS	input	wide right	narrow h.	left head
					record

1N 4448 - D2, D4, D5, D8, D10, D11, D14, D17, D21, D22
 BAT 85 - D7, D9, D23-D30
 1N 5818 - D19, D20
 1N 4004 - D1, D3

© 21.7.89 DUB	Time Code Section A810 / A820	SC 1.820.721-86	PAGE 1 OF 2
STUDER	Time Code Read-Write Unit		

TIME CODE READ-WRITE UNIT 1.820.721.86



© 21.7.89 DUB	Time Code Section A 810 / A 820		
STUDER	Time Code Read - Write Unit	SC 1.820.721-86	PAGE 2 OF 2

TIME CODE READ-WRITE UNIT 1.820.721.86

IND.	POS.NO.	PART NO.	VALUE	SPECIFICATIONS / EQUIVALENT	MANUF.
C....1	59.26.2100	10 uF	20%, 16V, Sal	Ph,Ri	
C....2	59.26.2100	10 uF	20%, 16V, Sal	Ph,Ri	
C....3	59.05.1332	3.3 nF	2.5%		
C....4	59.06.0683	68 nF	10%		
C....5	59.06.0683	68 nF	10%		
C....6		not used			
C....7		not used			
C....8	59.05.2151	150 pF	2.5%		
C....9	59.10.0102	65 pF	Trimmer Capacitor, Philips Nr 2222 808 01001		
C....10		not used			
C....11		not used			
C....12		not used			
C....13		not used			
C....14	59.06.0683	68 nF	10%		
C....15	59.26.5479	4.7 uF	20%, 25V, Sal	Ph,Ri	
C....16	59.06.0222	2.2 nF	10%		
C....17	59.34.4221	220 pF	5%, Cer		
C....18	59.06.0683	68 nF	10%		
C....19	59.06.0103	10 nF	10%		
C....20	59.05.2472	4.7 nF	2.5%		
C....21	59.26.0470	47 uF	20%, 6.3V, Sal	Ph,Ri	
C....22	59.05.1102	nF	1%		
C....23	59.06.0104	100 nF	10%		
C....24	59.06.0474	470 nF	10%		
C....25	59.26.2100	10 uF	20%, 16V, Sal	Ph,Ri	
C....26	59.26.5479	4.7 uF	20%, 25V, Sal	Ph,Ri	
C....27	59.06.0103	10 nF	10%		
C....28	59.06.0474	470 nF	10%		
C....29	59.26.0470	47 uF	20%, 6.3V, Sal	Ph,Ri	
C....30	59.06.5105	1 uF	5%		
C....31		not used			
C....32	59.06.5102	1 nF	10%		
C....33	59.05.1332	3.3 nF	1%		
C....34	59.26.1220	22 uF	20%, 10V, Sal	Ph,Ri	
C....35		not used			
C....36	59.06.0332	3.3 nF	10%		
C....37	59.06.0473	47 nF	10%		

S T U D E R (00) 89/07/21 DUB CODE READ/WRITE UNIT PL 1.820.721.86 PAGE 1

IND.	POS.NO.	PART NO.	VALUE	SPECIFICATIONS / EQUIVALENT	MANUF.
C....38	59.05.1102	1 nF	1%		
C....39	59.06.0472	47 nF	10%		
C....40	59.32.2471	470 pF	10%		
C....41	59.34.4151	150 pF	5%, Cer		
C....42	59.06.0472	47 nF	10%		
C....43	59.05.1103	10 nF	1%		
C....44	59.32.2681	680 pF	10%		
C....45	59.06.0474	470 nF	10%		
C....46	59.06.0683	68 nF	10%		
C....47	59.06.0473	47 nF	10%		
C....48	59.26.0470	47 uF	20%, 6.3V, Sal	Ph,Ri	
C....49	59.06.0472	47 nF	10%		
C....50	59.26.5479	4.7 uF	20%, 25V, Sal	Ph,Ri	
C....51		not used			
C....52	59.26.1100	10 uF	20%, 10V, Sal	Ph,Ri	
C....53	59.06.5105	1 uF	5%		
C....54	59.06.0104	100 nF	10%		
C....55	59.26.1100	10 uF	20%, 10V, Sal	Ph,Ri	
C....56	59.34.1100	10 pF	5%, Cer		
C....57	59.60.0122	1 nF	5%, Cer, Chip		
D....1	50.04.0122	1R4001	1R4002, 1R4003, 1R4004	Not:GI,Sol	
D....2	50.04.0125	1R4448		Fe,ITT,Ph,See	
D....3	50.04.0122	1R4001	1R4002, 1R4003, 1R4004	Not:GI,Sol	
D....4	50.04.0125	1R4448		Fe,ITT,Ph,See	
D....5	50.04.0125	1R4448		Fe,ITT,Ph,See	
D....6		not used			
D....7	50.04.0127	BAT 85	BAS 40-02	Ph,Sie	
D....8	50.04.0125	1R4448		Fe,ITT,Ph,See	
D....9	50.04.0127	BAT 85	BAS 40-02	Ph,Sie	
D....10	50.04.0125	1R4448		Fe,ITT,Ph,See	
D....11	50.04.0125	1R4448		Fe,ITT,Ph,See	
D....12	50.04.1103	7.5 V Z	EX283C 7V5, EX255C 7V5, ZPD 7.5	See:ITT	
D....13	50.04.1103	7.5 V Z	EX283C 7V5, EX255C 7V5, ZPD 7.5	See:ITT	
D....14	50.04.0125	1R4448		Fe,ITT,Ph,See	
D....15	50.04.0125	1R4448		Fe,ITT,Ph,See	
D....16	50.04.0125	1R4448		Fe,ITT,Ph,See	

S T U D E R (00) 89/07/21 DUB CODE READ/WRITE UNIT PL 1.820.721.86 PAGE 2

IND.	POS.NO.	PART NO.	VALUE	SPECIFICATIONS / EQUIVALENT	MANUF.
D....17	50.04.0125	1R4448		Fe,ITT,Ph,See	
D....18	50.04.1102	6.8 V Z	EX283C 6V8, EX255C 6V8, ZPD 6.8	See:ITT	
D....19	50.04.0512	1N5818	1N5819	Not	
D....20	50.04.0512	1N5818	1N5819	Not	
D....21	50.04.0125	1R4448		Fe,ITT,Ph,See	
D....22	50.04.0125	1R4448		Fe,ITT,Ph,See	
D....23	50.04.0127	BAT 85	BAS 40-02	Ph,Sie	
D....24	50.04.0127	BAT 85	BAS 40-02	Ph,Sie	
D....25	50.04.0127	BAT 85	BAS 40-02	Ph,Sie	
D....26	50.04.0127	BAT 85	BAS 40-02	Ph,Sie	
D....27	50.04.0127	BAT 85	BAS 40-02	Ph,Sie	
D....28	50.04.0127	BAT 85	BAS 40-02	Ph,Sie	
D....29	50.04.0127	BAT 85	BAS 40-02	Ph,Sie	
D....30	50.04.0127	BAT 85	BAS 40-02	Ph,Sie	
IC....1	50.07.0003	HM74C374N		NSC	
IC....2		not used			
IC....3	50.07.0004	MC14558BCP	CD4556BE, 4556BPC	Fe,Not,RCA	
IC....4	50.07.0015	MC14053B	CD4053BCN	Not,NSC	
IC....5	50.05.0227	SN75462P	SN75472P, SN75462JG	TI	
IC....6	50.05.0283	LM393N	LM393	NSC, TI	
IC....7	50.17.1132	MC74HC132	FC74HC132 HM74HC132	Not,Ph,NS	
IC....8	50.05.0113	SF74LS13N	N74LS13N, DM74LS13N	TI,Sig,NSC	
IC....9	50.09.0107	RC4559NB		Re	
IC....10	50.05.0283	LM393N	LM393	NSC, TI	
IC....11	50.09.0110	LF357 A	Slew rate >40V/us	NS	
IC....12	50.09.0110	LF357 A	Slew rate >40V/us	NS	
IC....13	50.09.0110	LF357 A	Slew rate >40V/us	NS	
IC....14	50.09.0110	LF357 A	Slew rate >40V/us	NS	
IC....15	50.09.0106	ME5532AN	MS5532AN, 5532ANB	Sig,Ex,Ra	
IC....16	50.09.0110	LF357 A	Slew rate >40V/us	NS	
IC....17	50.09.0110	LF357 A	Slew rate >40V/us	NS	
IC....18	50.17.1132	MC74HC132	FC74HC132 HM74HC132	Not,Ph,NS	
JS....1			See Note 1		
JS....2			See Note 1		

S T U D E R (00) 89/07/21 DUB CODE READ/WRITE UNIT PL 1.820.721.86 PAGE 3

IND.	POS.NO.	PART NO.	VALUE	SPECIFICATIONS / EQUIVALENT	MANUF.
K....1	56.04.0171	SM D1012			ITT
L....1	62.02.2122	1.2 mH	TDK Nr. CSL 0812-122 J		
L....2	62.01.0128	1 mH	Goewanda Nr. 17-104, Dalevan Nr. 1641-105		
Q....1	50.03.0496	BC560E		Sie	
Q....2	50.03.0436	BC237B	BC547B, BC550B	ITT,Mot,Ph,Sie	
Q....3	50.03.0351	BC327-25		ITT,Ph,Sie	
Q....4	50.03.0340	BC337-25		ITT,NS,Ph,Sie	
Q....5	50.03.0497	BC550E		Sie	
Q....6	50.03.0329	HP 146		Six	
Q....7	50.03.0436	BC237B		Six	
Q....8	50.03.0329	HP 146	BC547B, BC550B	ITT,Mot,Ph,Sie	
Q....9	50.03.0350	J112F	J112, TM00062	So,NS,Mot	
Q....10	50.03.0350	J112F	J112, TM00062	So,NS,Mot	
Q....11	50.03.0329	HP 146		Six	
Q....12	50.03.1505	VN 0808M	ZVN 0108A	Fe,Six	
Q....13	50.03.0329	HP 146		Six	
Q....14	50.03.0329	HP 146		Six	
R....1	57.11.4101	100 Ohm	5%		
R....2	58.11.6203	20 kOhm	See Note 2		
R....3	57.11.4103	10 kOhm	2%		
R....4	57.11.4562	5.6 kOhm	2%		
R....5	57.11.4562	5.6 kOhm	2%		
R....6	57.11.4331	390 Ohm	2%		
R....7	57.11.4105	1 kOhm	2%		
R....8	58.11.6203	20 kOhm	See Note 2		
R....9	57.11.4101	100 Ohm	2%		
R....10	58.11.6203	20 kOhm	See Note 2		
R....11		not used			
R....12		not used			
R....13	57.11.4273	27 kOhm	5%		
R....14	57.11.4124	120 kOhm	5%		
R....15	58.11.6502	5 kOhm	See Note 3		
R....16		not used			
R....17		not used			

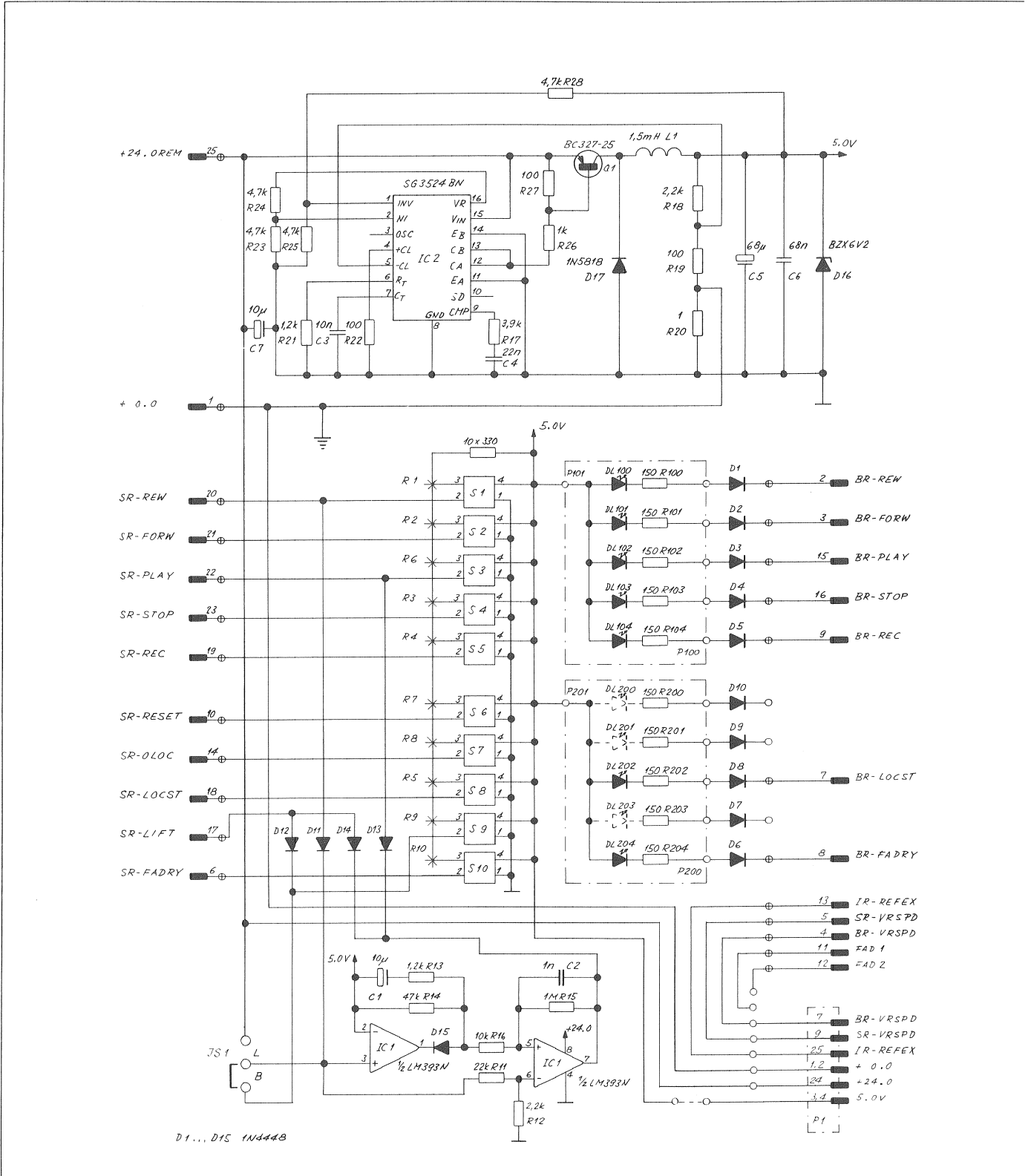
S T U D E R (00) 89/07/21 DUB CODE READ/WRITE UNIT PL 1.820.721.86 PAGE 4

IND.	POS.NO.	PART NO.	VALUE	SPECIFICATIONS / EQUIVALENT	MANUF.
R....18		not used			
R....19		not used			
R....20	57.11.4105	1 kOhm	2%		
R....21	57.11.4105	1 kOhm	2%		
R....22	57.11.4399	99 kOhm	2%		
R....23	57.11.5335	3.3 kOhm	5%		
R....24		not used			
R....25		not used			
R....26		not used			
R....27	57.11.4103	10 kOhm	2%		
R....28	57.11.3472	4.7 kOhm	1%		
R....29	57.11.3102	1 kOhm	1%		
R....30	57.99.0209	5.6 Ohm	PTC Resistor, Philips Nr. 2322 662 91005		
R....31	57.11.4103	10 kOhm	2%		
R....32	57.11.4104	100 kOhm	5%		
R....33	57.11.4105	100 kOhm	2%		
R....34	57.11.4152	1.5 kOhm	2%		
R....35	57.11.4103	10 kOhm	2%		
R....36	57.11.4105	1 kOhm	2%		
R....37	57.11.4103	10 kOhm	2%		
R....38	57.11.3472	4.7 kOhm	1%		
R....39	57.11.4471	470 Ohm	2%		
R....40	57.11.4152	1.5 kOhm	2%		
R....41	57.11.4102	1 kOhm	2%		
R....42	57.11.4104	100 kOhm	2%		
R....43	57.11.4152	1.5 kOhm	2%		
R....44	57.11.4683	68 kOhm	2%		
R....45	57.11.4105	1 kOhm	2%		
R....46	57.11.4103	10 kOhm	2%		
R....47	57.11.4103	10 kOhm	2%		
R....48	57.11.4392	3.9 kOhm	2%		
R....49	57.11.4102	1 kOhm	2%		
R....50	57.11.4103	10 kOhm	2%		
R....51	57.11.4103	10 kOhm	2%		
R....52	57.11.5106	10 kOhm	5%		
R....53	57.11.3112	1.1 kOhm	1%		
R....54	57.11.4392	3.9 kOhm	2%		

S T U D E R (00) 89/07/21 DUB CODE READ/WRITE UNIT PL 1.820.721.86 PAGE 5

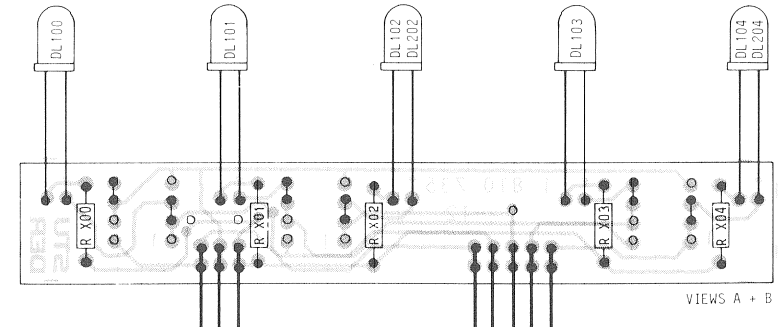
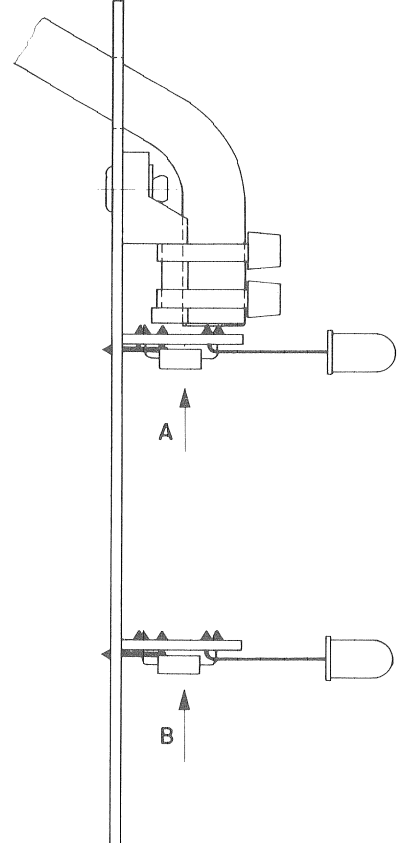
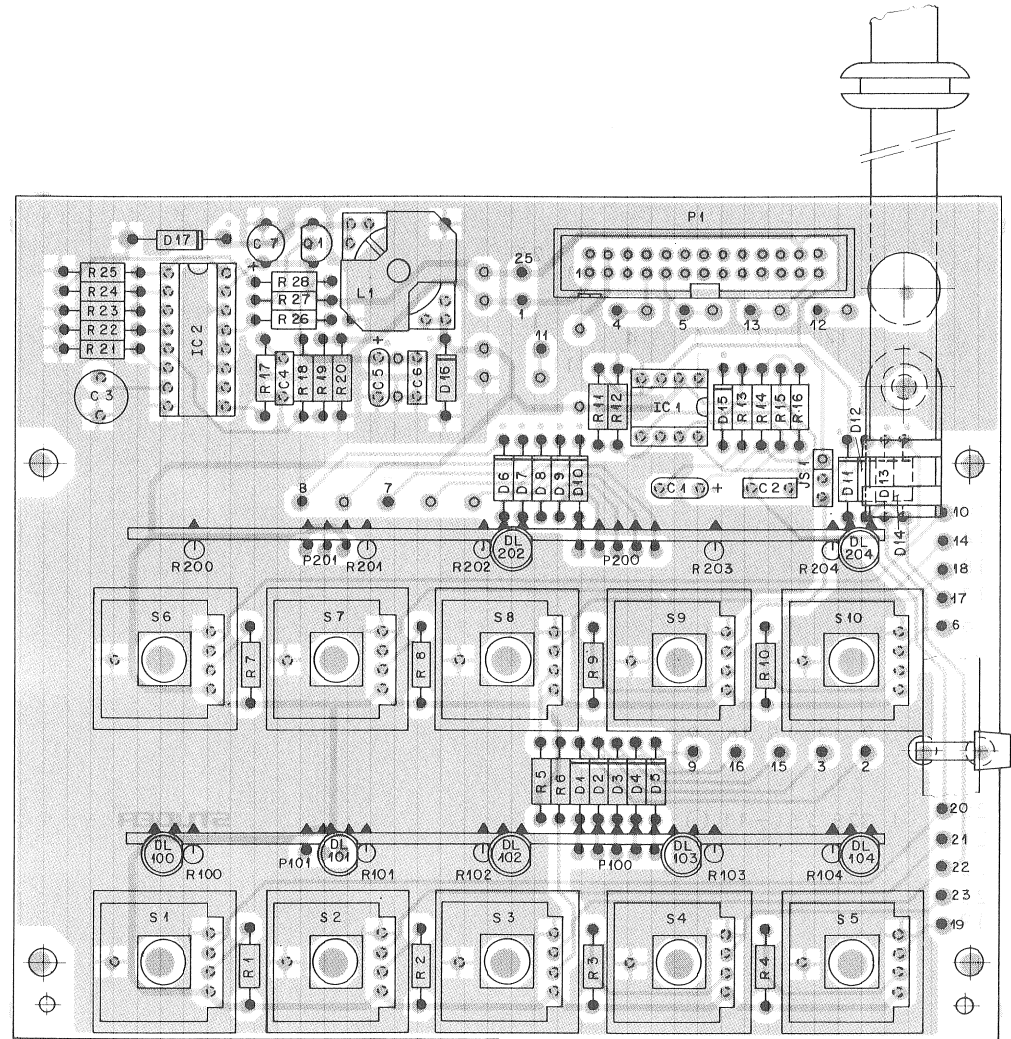
IND.	POS.NO.	PART NO.	VALUE	SPECIFICATIONS / EQUIVALENT	MANUF.
R....55	57.11.3112	1.1 kOhm	1%		
R....56	57.11.3202	2 kOhm	1%		
R....57	57.11.3102	1 kOhm	1%		
R....58	57.11.3152	1.5 kOhm	1%		
R....59	57.11.3202	2 kOhm	1%		
R....60	57.11.4104	100 kOhm	2%		
R....61	57.11.4105	1 kOhm	2%		
R....62	57.11.3152	1.5 kOhm	1%		
R....63	57.11.5225	2.2 kOhm	5%		
R....64	57.11.4102	1 kOhm	2%		
R....65	57.11.4103	10 kOhm	2%		
R....66	57.11.3102	1 kOhm	1%		
R....67	57.11.3102	1 kOhm	1%		
R....68		not used			
R....69	57.11.4105	1 kOhm	2%		
R....70	57.11.4105	1 kOhm	2%		
R....71	57.11.4102	1 kOhm	2%		
R....72	57.11.4221	220 Ohm	2%		
R....73	57.11.4472	4.7 kOhm	5%		
R....74	57.11.4681	680 Ohm	2%		
R....75	57.11.4100	10 Ohm	2%		
R....76	57.11.4105	1 kOhm	2%		
R....77	57.11.4100	10 Ohm	2%		
R....78	57.11.4821	820 Ohm	2%		
R....79	57.11.4152	1.5 kOhm	2%		
R....80		not used			
R....81	57.11.4102	1 kOhm	2%		
R....82	57.11.4470	47 Ohm	2%		
R....83	57.11.5106				

TAPE DECK REMOTE CONTROL CABINET (PARALLEL) 1.328.250.00
 -TAPE DECK REMOTE CONTROL PCB 1.328.251.00



1.3.85	PAGE 1 OF 1
STUDER	TAPE DECK REMOTE CONTROL		SC	1.328.251-00

TAPE DECK REMOTE CONTROL CABINET (PARALLEL) 1.328.250.00
 -TAPE DECK REMOTE CONTROL PCB 1.328.251.00



VIEWS A + B

IND.	POS.-NO.	PART NO.	VALUE	SPECIFICATIONS / EQUIVALENT	MANUF.
IC....1		50-05-0283		LM393B	NS-Thomson
IC....2		50-05-0279		SG3524BN	SG
JS....1				See note 1	
L....1		1-022-197-00	1.5 mm		St
P....1		56-11-2003	26 cont.	See note 2	
P....100		56-01-0269	5 cont.	AMP Rr. 163.740-3	
P....101		56-01-0227	3 cont.	AMP Rr. 163.740-1	
P....200		56-01-0269	5 cont.	AMP Rr. 163.740-3	
P....201		56-01-0227	3 cont.	AMP Rr. 163.740-1	
Q....1		50-03-0351		BC327-25	ITT+PhSis
R....1		57-11-4331	330 Ohm		
R....2		57-11-4331	330 Ohm		
R....3		57-11-4331	330 Ohm		
R....4		57-11-4331	330 Ohm		
R....5		57-11-4331	330 Ohm		
R....6		57-11-4331	330 Ohm		
R....7		57-11-4331	330 Ohm		
R....8		57-11-4331	330 Ohm		
R....9		57-11-4331	330 Ohm		
R....10		57-11-4331	330 Ohm		
R....11		57-11-4223	2.2 kOhm		
R....12		57-11-4222	2.2 kOhm		
R....13		57-11-4122	1.2 kOhm		
R....14		57-11-4473	47 kOhm		
R....15		57-11-4105	1 kOhm		
R....16		57-11-4103	10 kOhm		
R....17		57-11-4392	3.9 kOhm		
R....18		57-11-4222	2.2 kOhm		
R....19		57-11-4101	100 Ohm		
R....20		57-11-4109	1 Ohm		
R....21		57-11-4122	1.2 kOhm		
R....22		57-11-4101	100 Ohm		

S T U D E R (00) 85/03/01 PB TAPE DECK REMOTE CONTROL 1.328.251.00 PAGE 2

IND.	POS.-NO.	PART NO.	VALUE	SPECIFICATIONS / EQUIVALENT	MANUF.
R....23		57-11-4472	4.7 kOhm		
R....24		57-11-4472	4.7 kOhm		
R....25		57-11-4472	4.7 kOhm		
R....26		57-11-4102	1 kOhm		
R....27		57-11-4101	100 Ohm		
R....28		57-11-4472	4.7 kOhm		
R....100		57-11-4151	150 Ohm		
R....101		57-11-4151	150 Ohm		
R....102		57-11-4151	150 Ohm		
R....103		57-11-4151	150 Ohm		
R....104		57-11-4151	150 Ohm		
R....200		57-11-4151	150 Ohm		
R....201		57-11-4151	150 Ohm		
R....202		57-11-4151	150 Ohm		
R....203		57-11-4151	150 Ohm		
R....204		57-11-4151	150 Ohm		
S....1				See note 3	
S....2				See note 3	
S....3				See note 3	
S....4				See note 3	
S....5				See note 3	
S....6				See note 3	
S....7				See note 3	
S....8				See note 3	
S....9				See note 3	
S....10				See note 3	

S T U D E R (00) 85/03/01 PB TAPE DECK REMOTE CONTROL 1.328.251.00 PAGE 3

IND.	POS.-NO.	PART NO.	VALUE	SPECIFICATIONS / EQUIVALENT	MANUF.
C....1		59-26-2100	10 uF	20%, 16V, S+1	Ph
C....2		59-06-5102	1 nF	5%, PETP	
C....3		59-05-1103	10 nF	1%, Pd	
C....4		59-06-0223	22 nF	10%, PETP	
C....5		59-26-0680	68 uF	20%, 6.3V, S+1	Ph
C....6		59-06-0683	68 nF	20%, PETP	
C....7		59-22-6100	10 uF	-10%, 40V, ET	
D....1		50-04-0125	1N4448		Fc+ITT+PhSes+Tf
D....2		50-04-0125	1N4448		Fc+ITT+PhSes+Tf
D....3		50-04-0125	1N4448		Fc+ITT+PhSes+Tf
D....4		50-04-0125	1N4448		Fc+ITT+PhSes+Tf
D....5		50-04-0125	1N4448		Fc+ITT+PhSes+Tf
D....6		50-04-0125	1N4448		Fc+ITT+PhSes+Tf
D....7		50-04-0125	1N4448		Fc+ITT+PhSes+Tf
D....8		50-04-0125	1N4448		Fc+ITT+PhSes+Tf
D....9		50-04-0125	1N4448		Fc+ITT+PhSes+Tf
D....10		50-04-0125	1N4448		Fc+ITT+PhSes+Tf
D....11		50-04-0125	1N4448		Fc+ITT+PhSes+Tf
D....12		50-04-0125	1N4448		Fc+ITT+PhSes+Tf
D....13		50-04-0125	1N4448		Fc+ITT+PhSes+Tf
D....14		50-04-0125	1N4448		Fc+ITT+PhSes+Tf
D....15		50-04-0125	1N4448		Fc+ITT+PhSes+Tf
D....16		50-04-1118	6.2 V Z	BZX83C 6.2, BZX55C 6.2, ZPD 6.2	ITT+Ses
D....17		50-04-0512	1N5819	1N5819	Not
DL...100		50-04-2112	MW5353	CR4-584B, HLMP-3401	CR+Gi+HP
DL...101		50-04-2112	MW5353	CR4-584B, HLMP-3401	CR+Gi+HP
DL...102		50-04-2112	MW5353	CR4-584B, HLMP-3401	CR+Gi+HP
DL...103		50-04-2112	MW5353	CR4-584B, HLMP-3401	CR+Gi+HP
DL...104		50-04-2111	MW5753	CR4-284B, HLMP-3301	CR+Gi+HP
DL...200			not used		
DL...201			not used		
DL...202		50-04-2112	MW5353	CR4-584B, HLMP-3401	CR+Gi+HP
DL...203			not used		
DL...204		50-04-2112	MW5353	CR4-584B, HLMP-3401	CR+Gi+HP

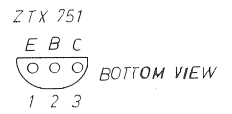
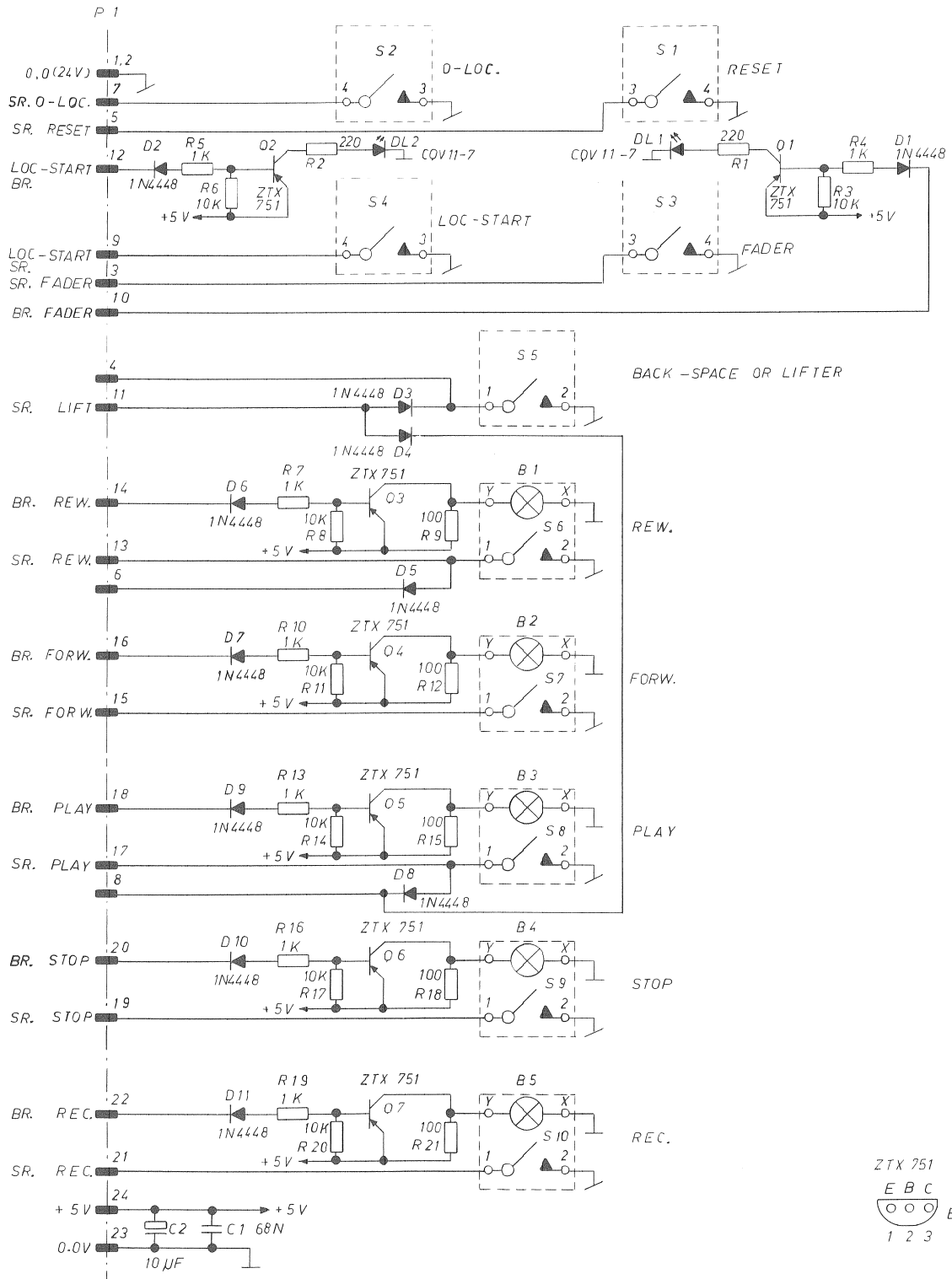
S T U D E R (00) 85/03/01 PB TAPE DECK REMOTE CONTROL 1.328.251.00 PAGE 1

IND.	POS.-NO.	PART NO.	VALUE	SPECIFICATIONS / EQUIVALENT	MANUF.
Note 1	- Contact pin:	Studer	56-01-0020,	Berg 75 160-102-36	
	Bridge:	Studer	56-01-0021,	Philips 242 024 88003	
Note 2	- Connector:	Yamachi	FAP-26-08/74,	Nurndy BPH 9 8 26 900 G5	
Note 3	- Switch:	Studer	55-03-0261,	Raf1 3-13001-110	
	Extender:	Studer	55-03-0262,	Raf1 5-55101-690	
				Ce=Ceramics, Et=Electrolytic, Sal=Solid aluminium, PETP=Polyesterfilm, Pp=Polypropylon.	
MANUFACTURER: C=Chicago Miniatur, Fc=Fairchild, GI=General Instruments, HP=Hewlett Packard, ITT=International, Mc=Motorola, NS=National Semiconductor, Ph=Philips, Ses=Secosem, SG=Silicon General, S=Siemens, St=Studer, Tho=Thomson, TI=Texas Instruments, Tf=Telefunken.					

S T U D E R (00) 85/03/01 PB TAPE DECK REMOTE CONTROL 1.328.251.00 PAGE 4

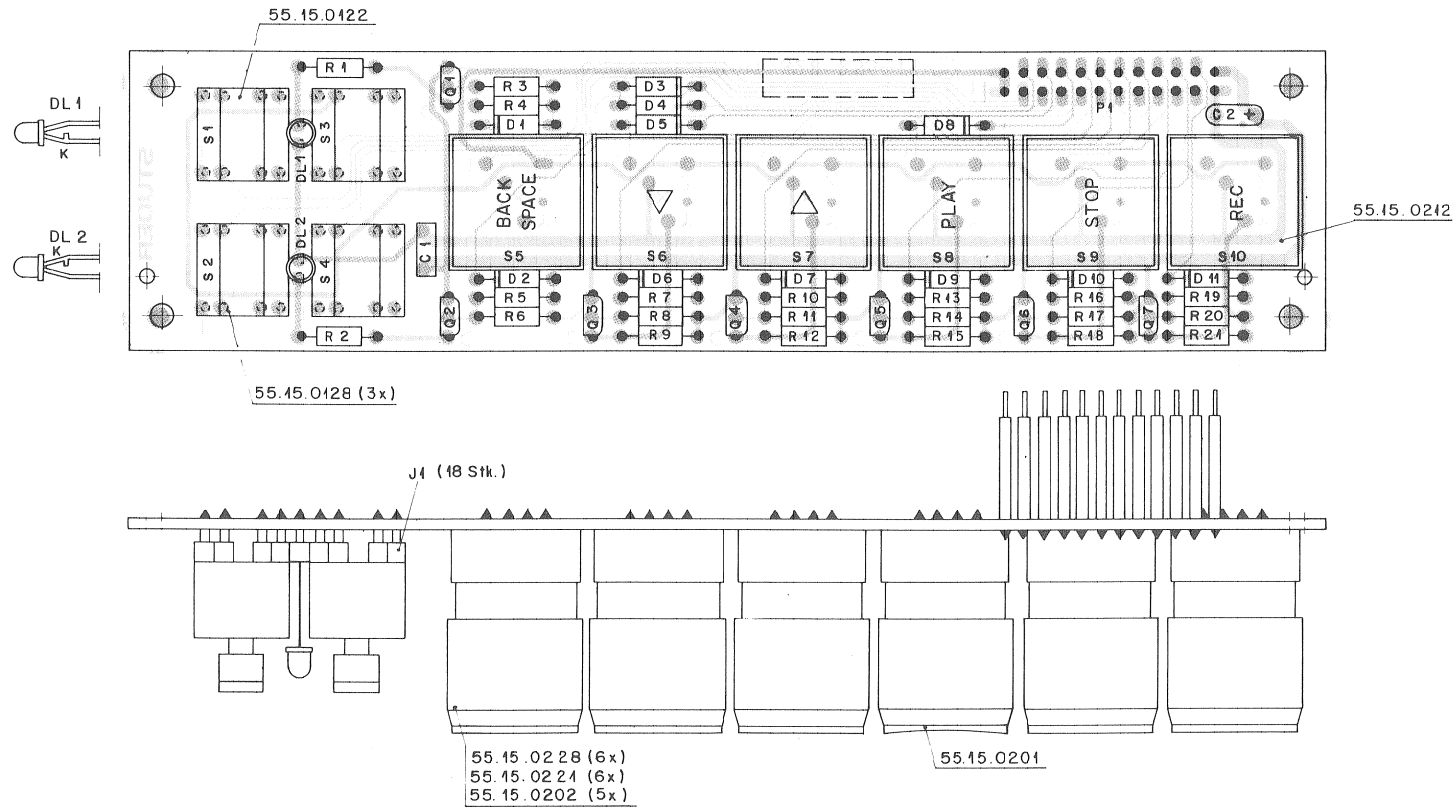
TAPE DECK REMOTE CONTROL MODULE (PARALLEL) 1.328.255.00
-PUSHBUTTON PCB 1.328.256.00

TO 1.328.257-00



12,02,86 C. METZ
MODUL PARALLEL A727, A812, A820			PAGE 1 OF 1	
STUDER		PUSHBUTTON BOARD		SC 1.328.256-00

TAPE DECK REMOTE CONTROL MODULE (PARALLEL) 1.328.255.00
 -PUSHBUTTON PCB 1.328.256.00



IND.	POS.NO.	PART NO.	VALUE	SPECIFICATIONS / EQUIVALENT	MANUF.
B....1		51.02.0155		5 V; 0.060 A	
B....2		51.02.0155		5 V; 0.060 A	
B....3		51.02.0155		5 V; 0.060 A	
B....4		51.02.0155		5 V; 0.060 A	
B....5		51.02.0155		5 V; 0.060 A	
C....1		59.06.0683	.068 u	10%; 63V; PETP	
C....2		59.26.2100	10 u	20%; 16V; SAL	
D....1		50.04.0125	1 N 4448	75 V; 0.1 A Si.	
D....2		50.04.0125	1 N 4448	75 V; 0.1 A Si.	
D....3		50.04.0125	1 N 4448	75 V; 0.1 A Si.	
D....4		50.04.0125	1 N 4448	75 V; 0.1 A Si.	
D....5		50.04.0125	1 N 4448	75 V; 0.1 A Si.	
D....6		50.04.0125	1 N 4448	75 V; 0.1 A Si.	
D....7		50.04.0125	1 N 4448	75 V; 0.1 A Si.	
D....8		50.04.0125	1 N 4448	75 V; 0.1 A Si.	
D....9		50.04.0125	1 N 4448	75 V; 0.1 A Si.	
D....10		50.04.0125	1 N 4448	75 V; 0.1 A Si.	
D....11		50.04.0125	1 N 4448	75 V; 0.1 A Si.	
DL...1		50.04.2129	LS 3160	Diffused red (see Note 2)	Sie.
DL...2		50.04.2129	LS 3160	Diffused red (see Note 2)	Sie.
P....1		1.010.019.54	2 * 12 pin	24 pos. L = 20 MM.	
Q....1		50.03.0352	ZTX 751 S	60 V; 2 A PNF Si.	Fe.
Q....2		50.03.0352	ZTX 751 S	60 V; 2 A PNF Si.	Fe.
Q....3		50.03.0352	ZTX 751 S	60 V; 2 A PNF Si.	Fe.
Q....4		50.03.0352	ZTX 751 S	60 V; 2 A PNF Si.	Fe.
Q....5		50.03.0352	ZTX 751 S	60 V; 2 A PNF Si.	Fe.
Q....6		50.03.0352	ZTX 751 S	60 V; 2 A PNF Si.	Fe.
Q....7		50.03.0352	ZTX 751 S	60 V; 2 A PNF Si.	Fe.
R....1		57.11.4221	220	2%; 0207; MF	
R....2		57.11.4221	220	2%; 0207; MF	
R....3		57.11.4103	10 k	2%; 0207; MF	

STUDER (01) 87/05/11 CM PUSHBUTTON BOARD PL 1.328.256-00 PAGE 1

IND.	POS.NO.	PART NO.	VALUE	SPECIFICATIONS / EQUIVALENT	MANUF.
R....4		57.11.4102	1.0 k	2%; 0207; MF	
R....5		57.11.4102	1.0 k	2%; 0207; MF	
R....6		57.11.4103	10 k	2%; 0207; MF	
R....7		57.11.4102	1.0 k	2%; 0207; MF	
R....8		57.11.4103	10 k	2%; 0207; MF	
R....9		57.11.4101	100	2%; 0207; MF	
R....10		57.11.4102	1.0 k	2%; 0207; MF	
R....11		57.11.4103	10 k	2%; 0207; MF	
R....12		57.11.4101	100	2%; 0207; MF	
R....13		57.11.4102	1.0 k	2%; 0207; MF	
R....14		57.11.4103	10 k	2%; 0207; MF	
R....15		57.11.4101	100	2%; 0207; MF	
R....16		57.11.4102	1.0 k	2%; 0207; MF	
R....17		57.11.4103	10 k	2%; 0207; MF	
R....18		57.11.4101	100	2%; 0207; MF	
R....19		57.11.4102	1.0 k	2%; 0207; MF	
R....20		57.11.4103	10 k	2%; 0207; MF	
R....21		57.11.4101	100	2%; 0207; MF	
S....1		55.15.0112	MK II	Nonetary pushbutton switch (see Note 1)MEK.	EAO
S....2		55.15.0112	MK II	Nonetary pushbutton switch (see Note 1)MEK.	EAO
S....3		55.15.0112	MK II	Nonetary pushbutton switch (see Note 1)MEK.	EAO
S....4		55.15.0112	MK II	Nonetary pushbutton switch (see Note 1)MEK.	EAO
S....5		55.15.0231		Nonetary pushbutton switch	EAO
S....6		55.15.0231		Nonetary pushbutton switch	EAO
S....7		55.15.0231		Nonetary pushbutton switch	EAO
S....8		55.15.0231		Nonetary pushbutton switch	EAO
S....9		55.15.0231		Nonetary pushbutton switch	EAO
S....10		55.15.0231		Nonetary pushbutton switch	EAO

STUDER (01) 87/05/11 CM PUSHBUTTON BOARD PL 1.328.256-00 PAGE 2

IND.	POS.NO.	PART NO.	VALUE	SPECIFICATIONS / EQUIVALENT	MANUF.
Note 1 : Device mounted on 53.03.0218 pins. (4 * 2 pcs.)					
Index (01) --> Note 2 : Device mounted on 53.99.0126 pins. (1 * 2 pcs.)					
CER=Ceramic, EL=Electrolytic, MP=Metallized Paper, MPC=Metallized Poly-carbonate, MEETP=Metallized Polyester, PC=Polycarbonate, PEIP=Polyester PP=Polypropylene, PS=Polystyrol, SAL=Solid Aluminium, TA=Tantal Cermet=Ceramic Metal, MF=Metal Film.					

MANUFACTURERS :
 EAO = Elektro Apparaten Olten
 Fe = Ferranti
 MEK = Mekaniak Elektrisk Compagni af 1975
 Sie = Siemens

ORIG 87/05/11
 STUDER (01) 87/05/11 CM PUSHBUTTON BOARD PL 1.328.256-00 PAGE 3