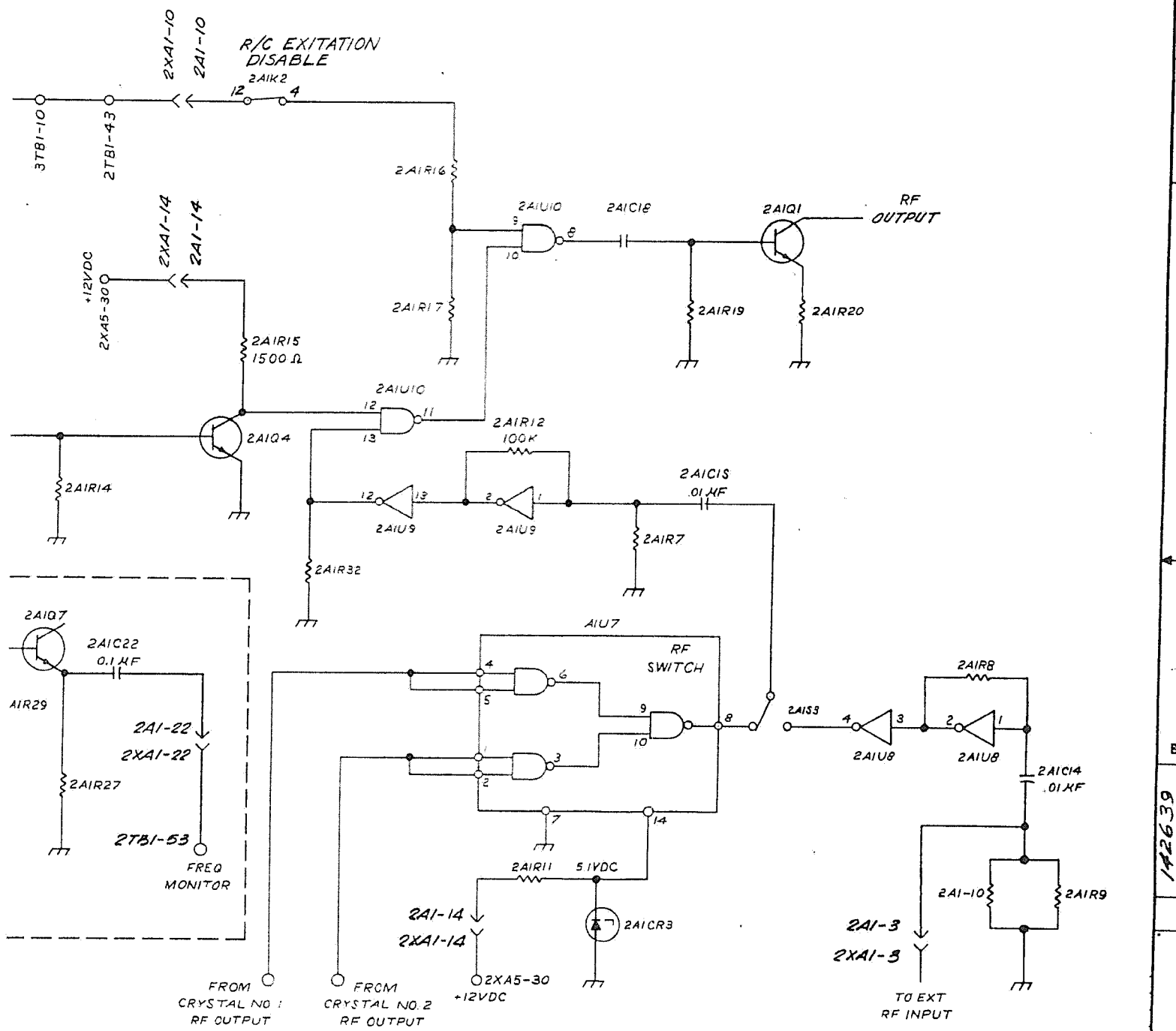


REV	DATE	DESCRIPTION	APPROVED
1	12-30-80	SCHEMATIC CONTROL LADDER TYPE 317C-2 50 KW TRANSMITTER	JANE CLARK
2	1-28-81	REVISED TO ADD OVERLOADS AND BIAS SUPPLY	JANE CLARK
3	2-15-81	REVISED TO ADD OVERLOADS AND BIAS SUPPLY	JANE CLARK
4	3-10-81	REVISED TO ADD OVERLOADS AND BIAS SUPPLY	JANE CLARK
5	4-15-81	REVISED TO ADD OVERLOADS AND BIAS SUPPLY	JANE CLARK
6	5-10-81	REVISED TO ADD OVERLOADS AND BIAS SUPPLY	JANE CLARK
7	6-15-81	REVISED TO ADD OVERLOADS AND BIAS SUPPLY	JANE CLARK
8	7-10-81	REVISED TO ADD OVERLOADS AND BIAS SUPPLY	JANE CLARK
9	8-15-81	REVISED TO ADD OVERLOADS AND BIAS SUPPLY	JANE CLARK
10	9-10-81	REVISED TO ADD OVERLOADS AND BIAS SUPPLY	JANE CLARK
11	10-15-81	REVISED TO ADD OVERLOADS AND BIAS SUPPLY	JANE CLARK
12	11-10-81	REVISED TO ADD OVERLOADS AND BIAS SUPPLY	JANE CLARK
13	12-15-81	REVISED TO ADD OVERLOADS AND BIAS SUPPLY	JANE CLARK
14	1-10-82	REVISED TO ADD OVERLOADS AND BIAS SUPPLY	JANE CLARK
15	2-15-82	REVISED TO ADD OVERLOADS AND BIAS SUPPLY	JANE CLARK
16	3-10-82	REVISED TO ADD OVERLOADS AND BIAS SUPPLY	JANE CLARK
17	4-15-82	REVISED TO ADD OVERLOADS AND BIAS SUPPLY	JANE CLARK
18	5-10-82	REVISED TO ADD OVERLOADS AND BIAS SUPPLY	JANE CLARK
19	6-15-82	REVISED TO ADD OVERLOADS AND BIAS SUPPLY	JANE CLARK
20	7-10-82	REVISED TO ADD OVERLOADS AND BIAS SUPPLY	JANE CLARK
21	8-15-82	REVISED TO ADD OVERLOADS AND BIAS SUPPLY	JANE CLARK
22	9-10-82	REVISED TO ADD OVERLOADS AND BIAS SUPPLY	JANE CLARK
23	10-15-82	REVISED TO ADD OVERLOADS AND BIAS SUPPLY	JANE CLARK
24	11-10-82	REVISED TO ADD OVERLOADS AND BIAS SUPPLY	JANE CLARK
25	12-15-82	REVISED TO ADD OVERLOADS AND BIAS SUPPLY	JANE CLARK
26	1-10-83	REVISED TO ADD OVERLOADS AND BIAS SUPPLY	JANE CLARK
27	2-15-83	REVISED TO ADD OVERLOADS AND BIAS SUPPLY	JANE CLARK
28	3-10-83	REVISED TO ADD OVERLOADS AND BIAS SUPPLY	JANE CLARK
29	4-15-83	REVISED TO ADD OVERLOADS AND BIAS SUPPLY	JANE CLARK
30	5-10-83	REVISED TO ADD OVERLOADS AND BIAS SUPPLY	JANE CLARK
31	6-15-83	REVISED TO ADD OVERLOADS AND BIAS SUPPLY	JANE CLARK
32	7-10-83	REVISED TO ADD OVERLOADS AND BIAS SUPPLY	JANE CLARK
33	8-15-83	REVISED TO ADD OVERLOADS AND BIAS SUPPLY	JANE CLARK
34	9-10-83	REVISED TO ADD OVERLOADS AND BIAS SUPPLY	JANE CLARK
35	10-15-83	REVISED TO ADD OVERLOADS AND BIAS SUPPLY	JANE CLARK
36	11-10-83	REVISED TO ADD OVERLOADS AND BIAS SUPPLY	JANE CLARK
37	12-15-83	REVISED TO ADD OVERLOADS AND BIAS SUPPLY	JANE CLARK
38	1-10-84	REVISED TO ADD OVERLOADS AND BIAS SUPPLY	JANE CLARK
39	2-15-84	REVISED TO ADD OVERLOADS AND BIAS SUPPLY	JANE CLARK
40	3-10-84	REVISED TO ADD OVERLOADS AND BIAS SUPPLY	JANE CLARK
41	4-15-84	REVISED TO ADD OVERLOADS AND BIAS SUPPLY	JANE CLARK
42	5-10-84	REVISED TO ADD OVERLOADS AND BIAS SUPPLY	JANE CLARK
43	6-15-84	REVISED TO ADD OVERLOADS AND BIAS SUPPLY	JANE CLARK
44	7-10-84	REVISED TO ADD OVERLOADS AND BIAS SUPPLY	JANE CLARK
45	8-15-84	REVISED TO ADD OVERLOADS AND BIAS SUPPLY	JANE CLARK
46	9-10-84	REVISED TO ADD OVERLOADS AND BIAS SUPPLY	JANE CLARK
47	10-15-84	REVISED TO ADD OVERLOADS AND BIAS SUPPLY	JANE CLARK
48	11-10-84	REVISED TO ADD OVERLOADS AND BIAS SUPPLY	JANE CLARK
49	12-15-84	REVISED TO ADD OVERLOADS AND BIAS SUPPLY	JANE CLARK
50	1-10-85	REVISED TO ADD OVERLOADS AND BIAS SUPPLY	JANE CLARK

MILLER ELECTRONICS
 SCHEMATIC CONTROL LADDER
 TYPE 317C-2
 50 KW TRANSMITTER
 E 52151 142653

REVISIONS				
ZONE	NO	DESCRIPTION	DATE	APPROVED
A	1	MISC CHGS	5-1-84	CJA
B	2		8/28/85	CJA

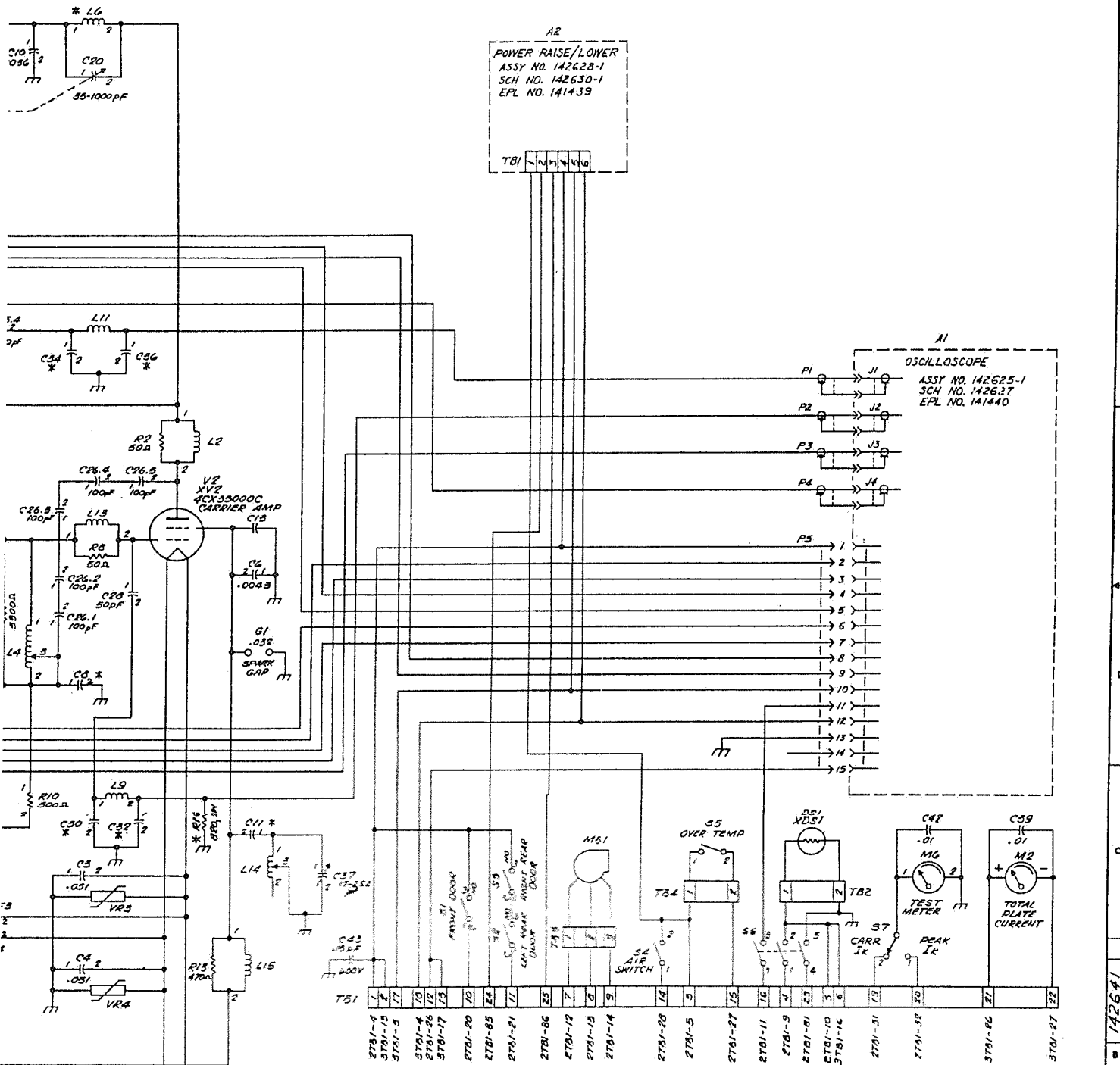


QTY REQD PER DASH NO	ITEM	ZONE	PART OR IDENTIFYING NO	ENGR SIZE	NOMENCLATURE OR DESCRIPTION	CODE IDENT
	LIST OF MATERIAL OR PARTS LIST					
	UNLESS OTHERWISE SPECIFIED		DRAWN	DATE	Continental Electronics	
	TOLERANCE ON	FRAC	S A KEPLAR	8-26-80	MFG CO	
	2 PLACE DEC	3 PLACE DEC	CHECKED		DALLAS TEXAS	
	ANGLES		MECH DSGY		LADDER DIAGRAM EXCITATION & AUDIO CUTOFF TYPE 317C-2 XMTR	
			ELEC ENGR			
	MACHINED SURFACE FINISH: 125/		R TUCKER			
	ALL DIMENSIONS ARE IN INCHES UNLESS OTHERWISE SPECIFIED		APPROVED			
		2343			SIZE	CODE IDENT NO
					D	52151
					142639	
					SCALE	SHEET 1 OF 1

142639

A

REV	DATE	APPROVED
A	10/28/54	G.M.



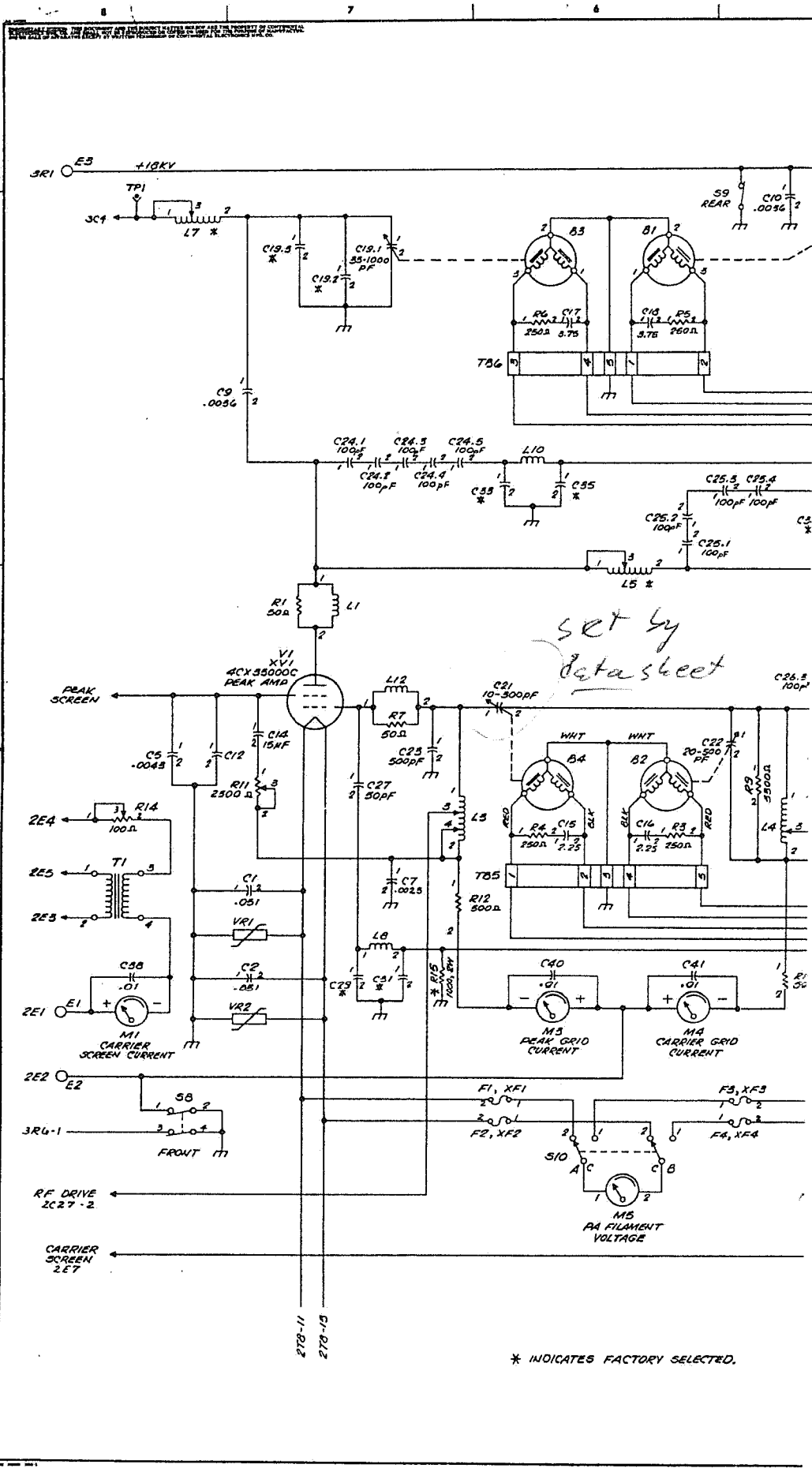
A2
POWER RAISE/LOWER
ASSY NO. 142628-1
SCH NO. 142630-1
EPL NO. 141439

A1
OSCILLOSCOPE
ASSY NO. 142625-1
SCH NO. 142627
EPL NO. 141440

EPL NO. 141441

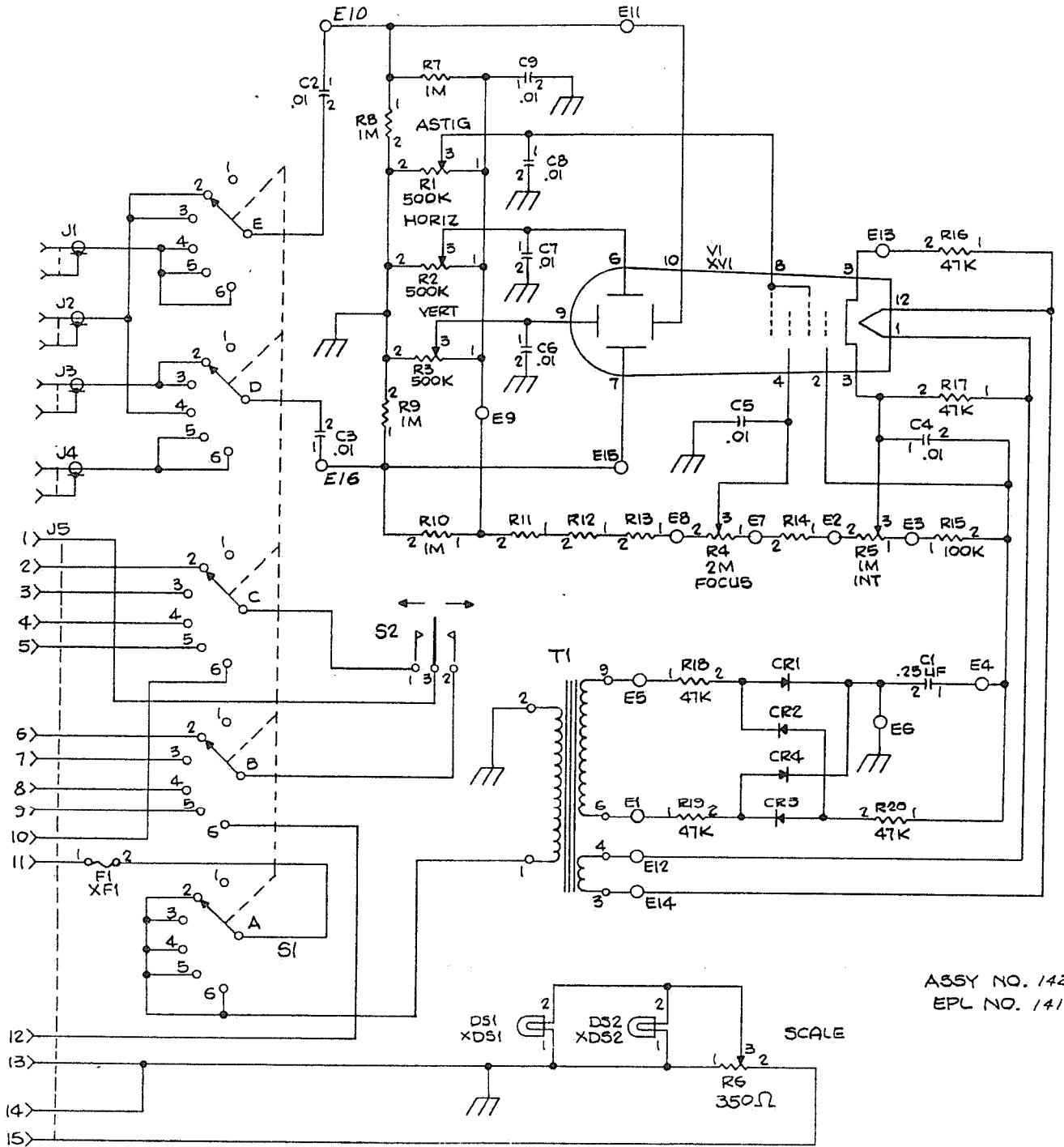
UNIT 1

PART OR IDENTIFYING NO.		NOMENCLATURE OR DESCRIPTION		QUANTITY	REVISION
LIST OF MATERIAL OR PARTS LIST					
1	142631-1	2341	SCHEMATIC, POWER AMPLIFIER TYPE 317C-2 TRANSMITTER	1	
APPROVED BY: JAMES IVEY		DATE: 6-14-50	CONTINENTAL ELECTRONICS		
CHECKED BY: SAUNDY		MFG CO.			
DRAWN BY: SAUNDY		BALLBAR			
DATE: 6-14-50		TESTER			
EPL NO. 142631-1		EPL NO. 142641		EPL NO. 142641	

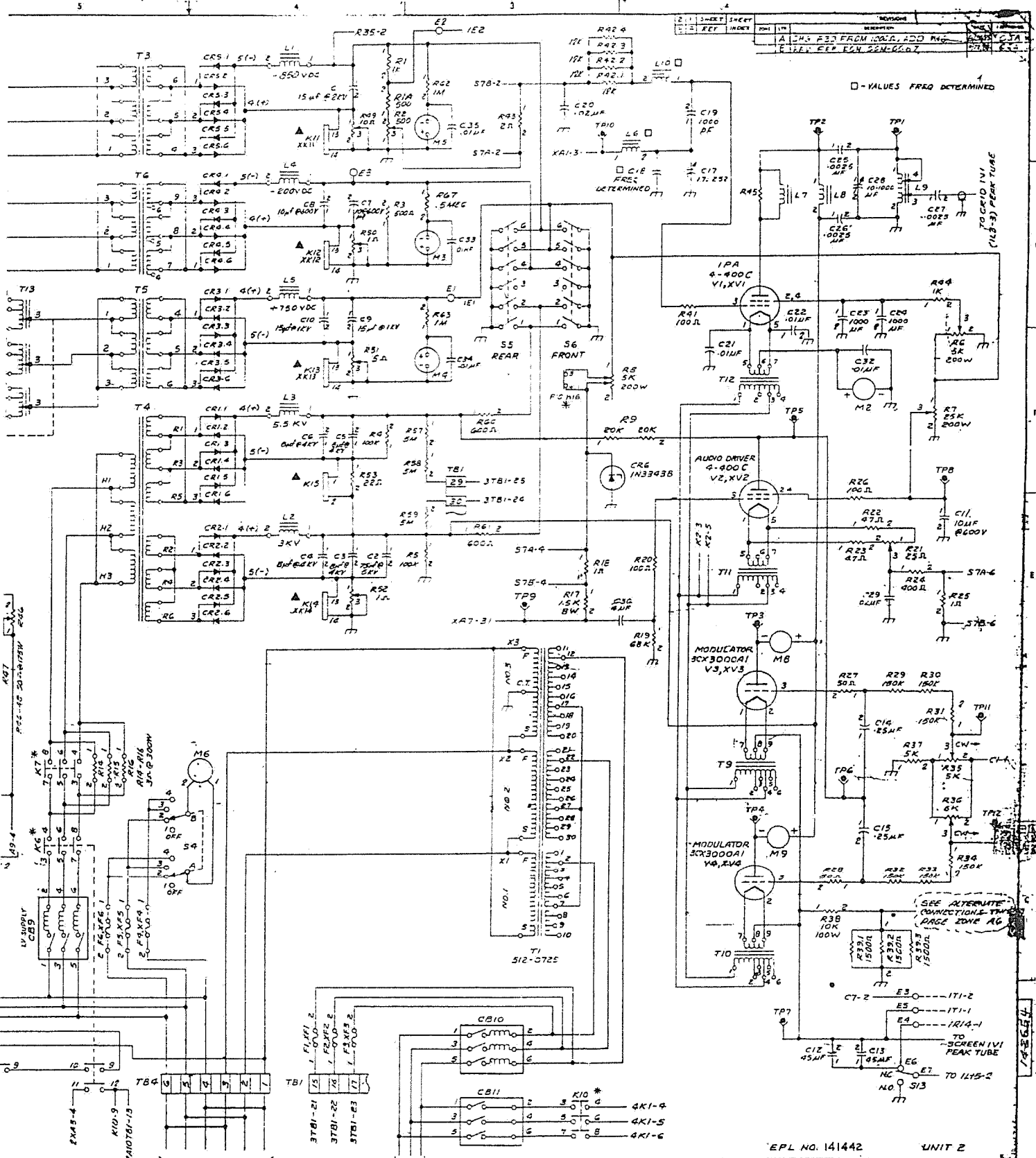


* INDICATES FACTORY SELECTED.

TAKE NOTICE THIS DOCUMENT AND THE SUBJECT MATTER HEREIN ARE THE PROPERTY OF LUNENFELT
INCE & CO. AND SHALL NOT BE REPRODUCED OR COPIED IN ANY MANNER FOR THE PURPOSE OF MANUFACTURE
OF APPARATUS EXCEPT BY WRITTEN PERMISSION OF LUNENFELT ELECTRONICS, INC.



ASSY NO. 142625 -1
EPL NO. 141440



□ - VALUES FRQ DETERMINED

EPL NO. 141442 UNIT 2

TO VOLTAGE REGULATOR (WHEN USED),
USE JUMPER ON T84 (WHEN
REGULATOR NOT USED), AS SHOWN.

440-600V
3 PHASE
150 KVA INPUT

NOTES:

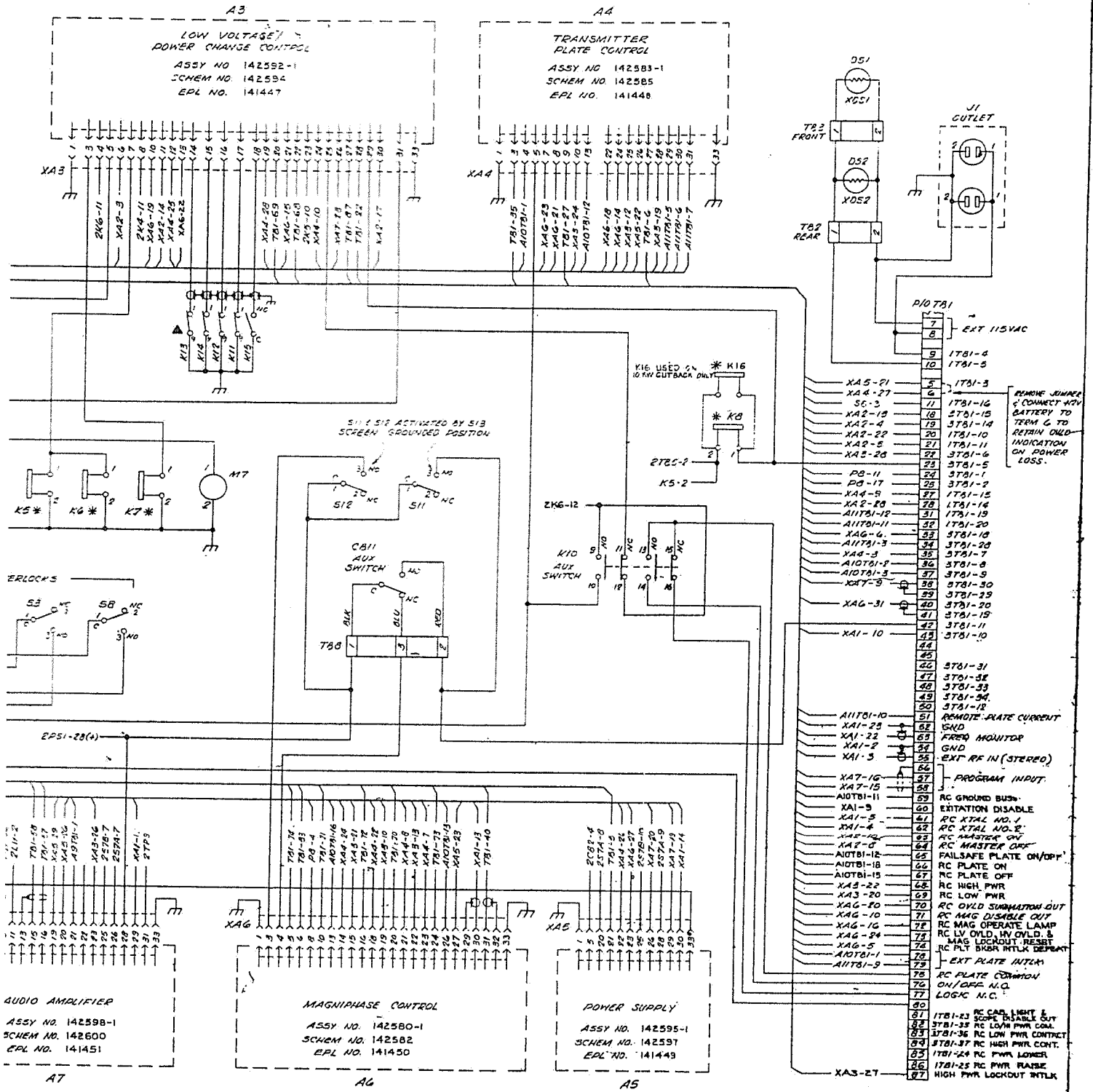
1. PARTIAL REFERENCE DESIGNATIONS ARE SHOWN. PREFIX WITH UNIT NUMBER OR SUB-ASSEMBLY DESIGNATIONS OR BOTH FOR COMPLETE DESIGNATION.
2. * THE COILS TO K1 THRU K6 & K10 Y, K16 ARE SHOWN ON SHEET 2. ▲ THE CONTACTS TO K11 THRU K15, ARE SHOWN ON SHEET 2.

UNLESS OTHERWISE SPECIFIED		BY: JANE CLARK	DATE: 6-20-50
1 PLACE	2 PLACE	3 PLACE	4 PLACE
5 PLACE	6 PLACE	7 PLACE	8 PLACE
9 PLACE	10 PLACE	11 PLACE	12 PLACE
13 PLACE	14 PLACE	15 PLACE	16 PLACE
17 PLACE	18 PLACE	19 PLACE	20 PLACE
21 PLACE	22 PLACE	23 PLACE	24 PLACE
25 PLACE	26 PLACE	27 PLACE	28 PLACE
29 PLACE	30 PLACE	31 PLACE	32 PLACE
33 PLACE	34 PLACE	35 PLACE	36 PLACE
37 PLACE	38 PLACE	39 PLACE	40 PLACE
41 PLACE	42 PLACE	43 PLACE	44 PLACE
45 PLACE	46 PLACE	47 PLACE	48 PLACE
49 PLACE	50 PLACE	51 PLACE	52 PLACE
53 PLACE	54 PLACE	55 PLACE	56 PLACE
57 PLACE	58 PLACE	59 PLACE	60 PLACE
61 PLACE	62 PLACE	63 PLACE	64 PLACE
65 PLACE	66 PLACE	67 PLACE	68 PLACE
69 PLACE	70 PLACE	71 PLACE	72 PLACE
73 PLACE	74 PLACE	75 PLACE	76 PLACE
77 PLACE	78 PLACE	79 PLACE	80 PLACE
81 PLACE	82 PLACE	83 PLACE	84 PLACE
85 PLACE	86 PLACE	87 PLACE	88 PLACE
89 PLACE	90 PLACE	91 PLACE	92 PLACE
93 PLACE	94 PLACE	95 PLACE	96 PLACE
97 PLACE	98 PLACE	99 PLACE	100 PLACE

Continental Electrical
4440 00

**SCHEMATIC,
DRIVER & POWER
DISTRIBUTION**

42632-1 E 233



- Terminal Block Connections:
- 7 17B1-4
 - 8 17B1-5
 - 9 17B1-3
 - 10 17B1-16
 - 11 17B1-15
 - 12 17B1-18
 - 13 17B1-10
 - 14 17B1-11
 - 15 17B1-6
 - 16 17B1-5
 - 17 17B1-1
 - 18 17B1-2
 - 19 17B1-12
 - 20 17B1-14
 - 21 17B1-10
 - 22 17B1-11
 - 23 17B1-6
 - 24 17B1-5
 - 25 17B1-1
 - 26 17B1-2
 - 27 17B1-12
 - 28 17B1-14
 - 29 17B1-10
 - 30 17B1-11
 - 31 17B1-6
 - 32 17B1-5
 - 33 17B1-1
 - 34 17B1-2
 - 35 17B1-12
 - 36 17B1-14
 - 37 17B1-10
 - 38 17B1-11
 - 39 17B1-6
 - 40 17B1-5
 - 41 17B1-1
 - 42 17B1-2
 - 43 17B1-12
 - 44 17B1-14
 - 45 17B1-10
 - 46 17B1-11
 - 47 17B1-6
 - 48 17B1-5
 - 49 17B1-1
 - 50 17B1-2
 - 51 17B1-12
 - 52 17B1-14
 - 53 17B1-10
 - 54 17B1-11
 - 55 17B1-6
 - 56 17B1-5
 - 57 17B1-1
 - 58 17B1-2
 - 59 17B1-12
 - 60 17B1-14
 - 61 17B1-10
 - 62 17B1-11
 - 63 17B1-6
 - 64 17B1-5
 - 65 17B1-1
 - 66 17B1-2
 - 67 17B1-12
 - 68 17B1-14
 - 69 17B1-10
 - 70 17B1-11
 - 71 17B1-6
 - 72 17B1-5
 - 73 17B1-1
 - 74 17B1-2
 - 75 17B1-12
 - 76 17B1-14
 - 77 17B1-10
 - 78 17B1-11
 - 79 17B1-6
 - 80 17B1-5
 - 81 17B1-1
 - 82 17B1-2
 - 83 17B1-12
 - 84 17B1-14
 - 85 17B1-10
 - 86 17B1-11
 - 87 17B1-6
 - 88 17B1-5
 - 89 17B1-1
 - 90 17B1-2
 - 91 17B1-12
 - 92 17B1-14
 - 93 17B1-10
 - 94 17B1-11
 - 95 17B1-6
 - 96 17B1-5
 - 97 17B1-1
 - 98 17B1-2
 - 99 17B1-12
 - 100 17B1-14
- Terminal Block Connections (continued):
- 101 17B1-10
 - 102 17B1-12
 - 103 17B1-14
 - 104 17B1-10
 - 105 17B1-11
 - 106 17B1-6
 - 107 17B1-5
 - 108 17B1-1
 - 109 17B1-2
 - 110 17B1-12
 - 111 17B1-14
 - 112 17B1-10
 - 113 17B1-11
 - 114 17B1-6
 - 115 17B1-5
 - 116 17B1-1
 - 117 17B1-2
 - 118 17B1-12
 - 119 17B1-14
 - 120 17B1-10
 - 121 17B1-11
 - 122 17B1-6
 - 123 17B1-5
 - 124 17B1-1
 - 125 17B1-2
 - 126 17B1-12
 - 127 17B1-14
 - 128 17B1-10
 - 129 17B1-11
 - 130 17B1-6
 - 131 17B1-5
 - 132 17B1-1
 - 133 17B1-2
 - 134 17B1-12
 - 135 17B1-14
 - 136 17B1-10
 - 137 17B1-11
 - 138 17B1-6
 - 139 17B1-5
 - 140 17B1-1
 - 141 17B1-2
 - 142 17B1-12
 - 143 17B1-14
 - 144 17B1-10
 - 145 17B1-11
 - 146 17B1-6
 - 147 17B1-5
 - 148 17B1-1
 - 149 17B1-2
 - 150 17B1-12
 - 151 17B1-14
 - 152 17B1-10
 - 153 17B1-11
 - 154 17B1-6
 - 155 17B1-5
 - 156 17B1-1
 - 157 17B1-2
 - 158 17B1-12
 - 159 17B1-14
 - 160 17B1-10
 - 161 17B1-11
 - 162 17B1-6
 - 163 17B1-5
 - 164 17B1-1
 - 165 17B1-2
 - 166 17B1-12
 - 167 17B1-14
 - 168 17B1-10
 - 169 17B1-11
 - 170 17B1-6
 - 171 17B1-5
 - 172 17B1-1
 - 173 17B1-2
 - 174 17B1-12
 - 175 17B1-14
 - 176 17B1-10
 - 177 17B1-11
 - 178 17B1-6
 - 179 17B1-5
 - 180 17B1-1
 - 181 17B1-2
 - 182 17B1-12
 - 183 17B1-14
 - 184 17B1-10
 - 185 17B1-11
 - 186 17B1-6
 - 187 17B1-5
 - 188 17B1-1
 - 189 17B1-2
 - 190 17B1-12
 - 191 17B1-14
 - 192 17B1-10
 - 193 17B1-11
 - 194 17B1-6
 - 195 17B1-5
 - 196 17B1-1
 - 197 17B1-2
 - 198 17B1-12
 - 199 17B1-14
 - 200 17B1-10

REMARK: JUMPER
 (CONNECT ADV
 BATTERY TO
 TERM 6 TO
 RETAIN OLD
 INDICATION
 ON POWER
 LOSS.)

EPL NO. 141442

UNIT 2

* CONTACTS TO 2K1 THRU 2K6 & 2K10 (2K16 ARE ON SHEET 1).
 ▲ COILS TO 2K11 THRU 2K15 ARE ON SHEET 1.

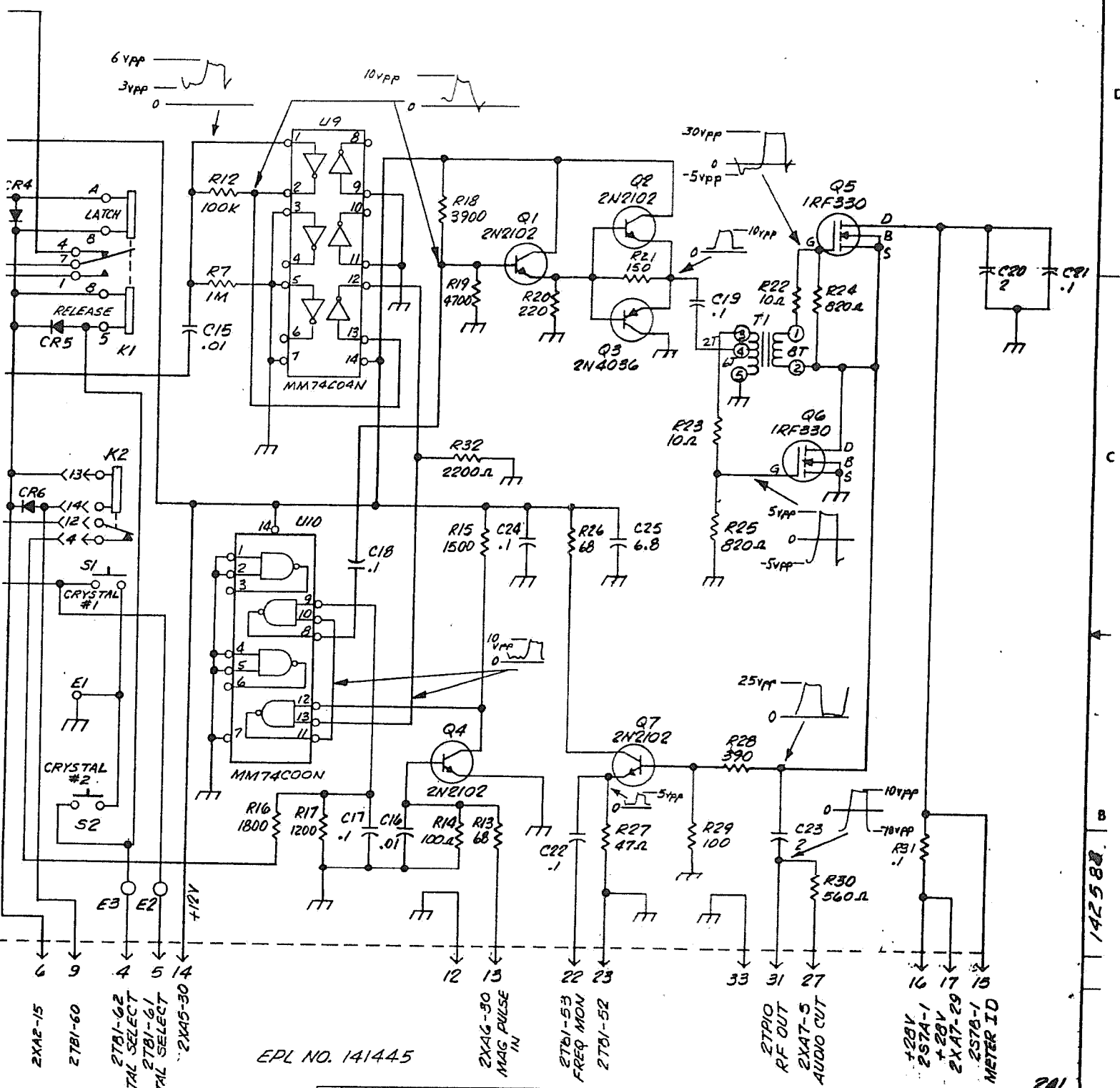
REV	DESCRIPTION	DATE	BY
1	ISSUED	1-18-54	E. E. F. F. E. G. H. G. O. M. H. G. S. T.
2	REVISED	1-25-54	E. E. F. F. E. G. H. G. O. M. H. G. S. T.

ITEM NO.	QTY	DESCRIPTION	MANUFACTURE OR PARTS LIST
1	1	SCHEMATIC, DRIVER AND POWER DISTRIBUTION	CONTINENTAL ELECTRONIC
2	1	SCHEMATIC, DRIVER AND POWER DISTRIBUTION	CONTINENTAL ELECTRONIC

REV	DESCRIPTION	DATE	BY
1	ISSUED	1-18-54	E. E. F. F. E. G. H. G. O. M. H. G. S. T.
2	REVISED	1-25-54	E. E. F. F. E. G. H. G. O. M. H. G. S. T.

142654

REVISIONS				
ZONE	LTR	DESCRIPTION	DATE	APPROVED
A		REV PER MARKED PRINT	9-20-83	J. CLARK

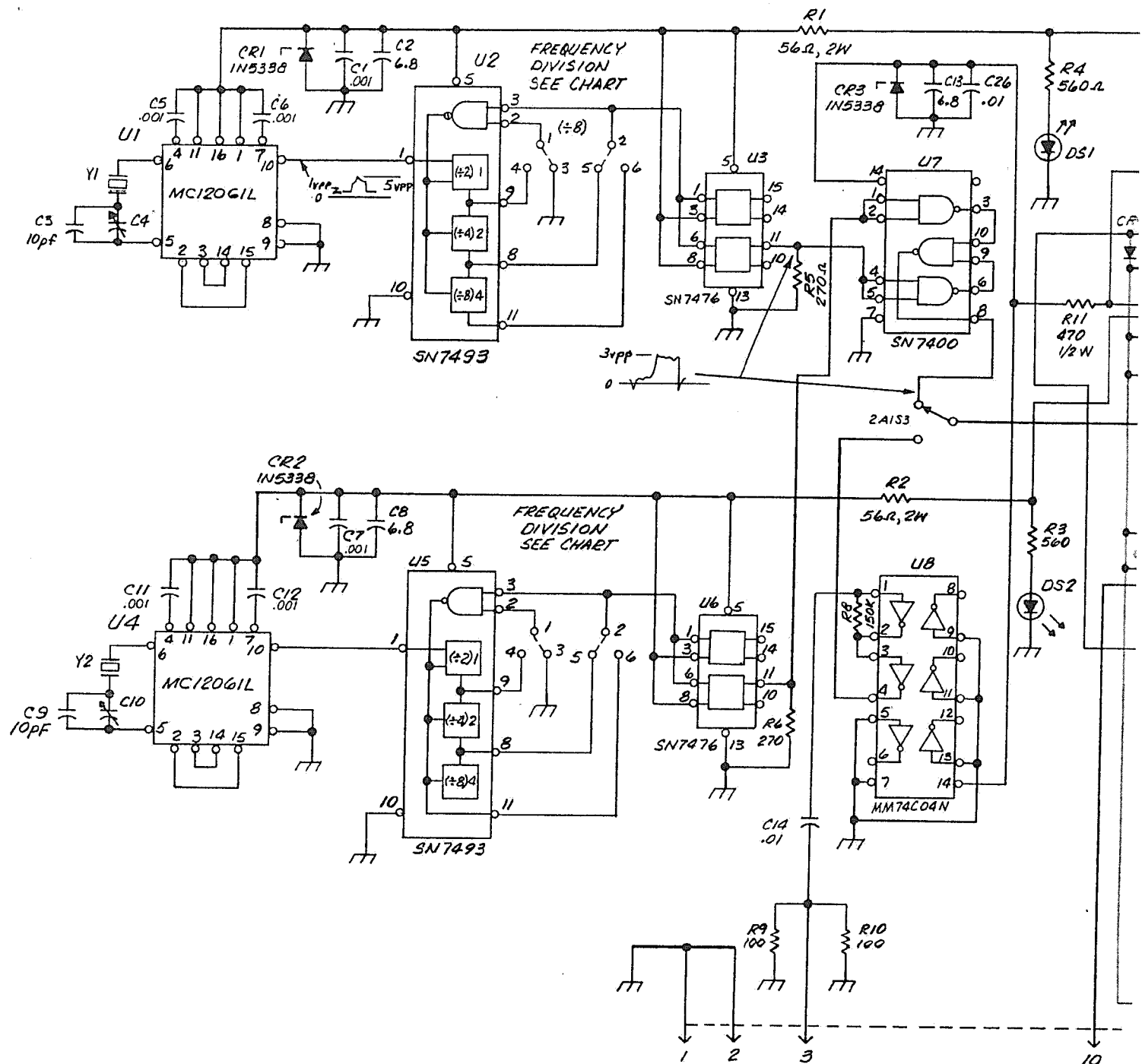


EPL NO. 141445

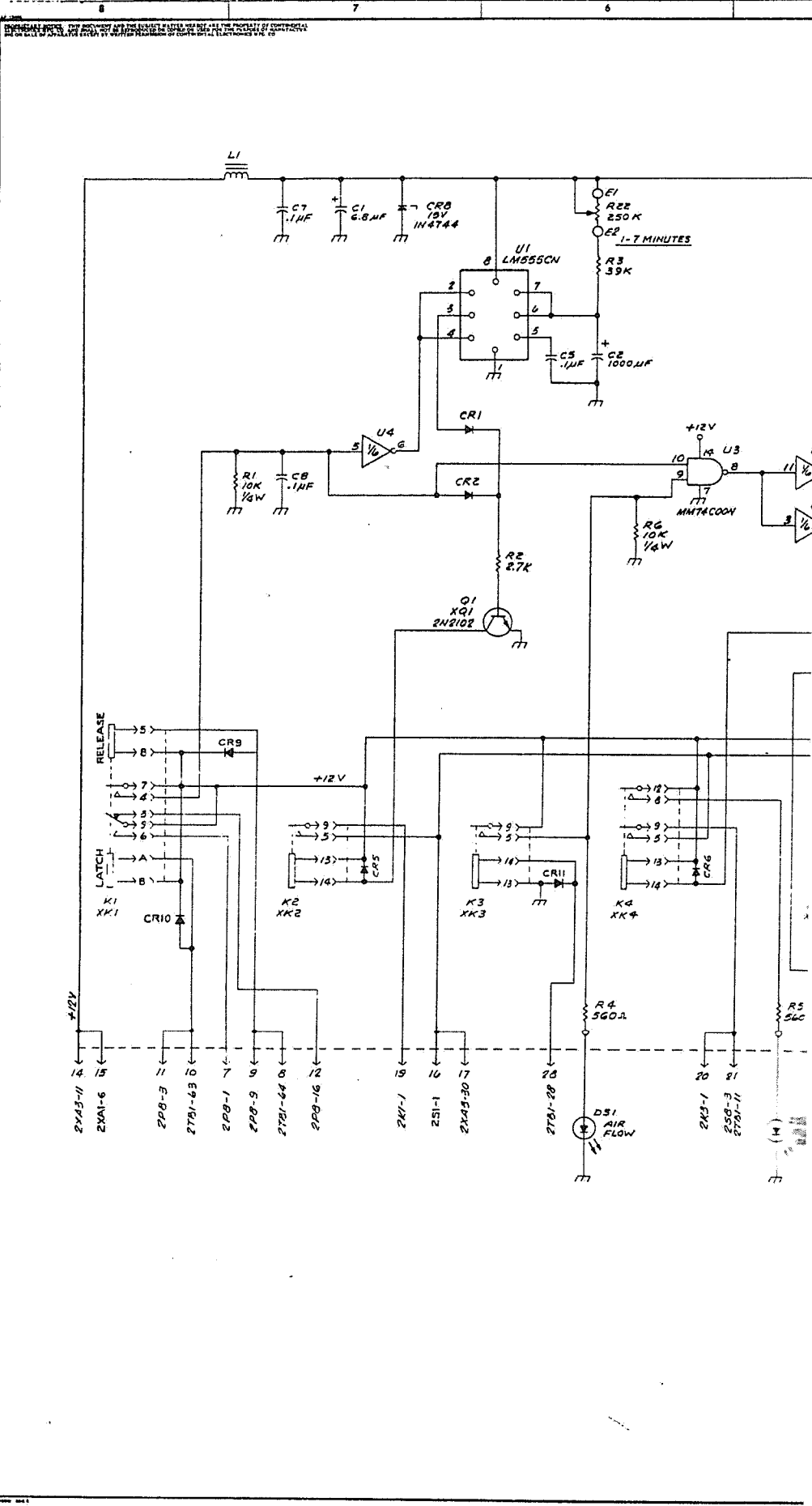
QTY	REQD PER DASH NO	ITEM	ZONE	PART OR IDENTIFYING NO	QTY	SIZE	MEMORANDUM OR DESCRIPTION	CODE IDENT
		UNLESS OTHERWISE SPECIFIED		DRWN	DATE		Continental Electronics	
		TOLERANCE ON	FRAC	E. Egan		6-13-80	MFG. CO.	
		2 PLACE DEC	3 PLACE DEC	CHECKED			DALLAS TEXAS	
		ANGLES		MECH DSGN			SCHEMATIC, RF OSCILLATOR/EXCITER	
		MACHINED SURFACE FINISH 125/		ELEC ENGR				
		ALL DIMENSIONS ARE IN	AND	J. SAINTON				
		INCLUDE APPLIED FINISH		APPROVED				
		REMOVE ALL BURRS AND SHARP EDGES						
142586-1	D	2343			SIZE	CODE IDENT NO	142588	
NEXT ASSY	QTY	USED ON			D	52151		
					SCALE	WT	SHEET 1 OF 1	

142588

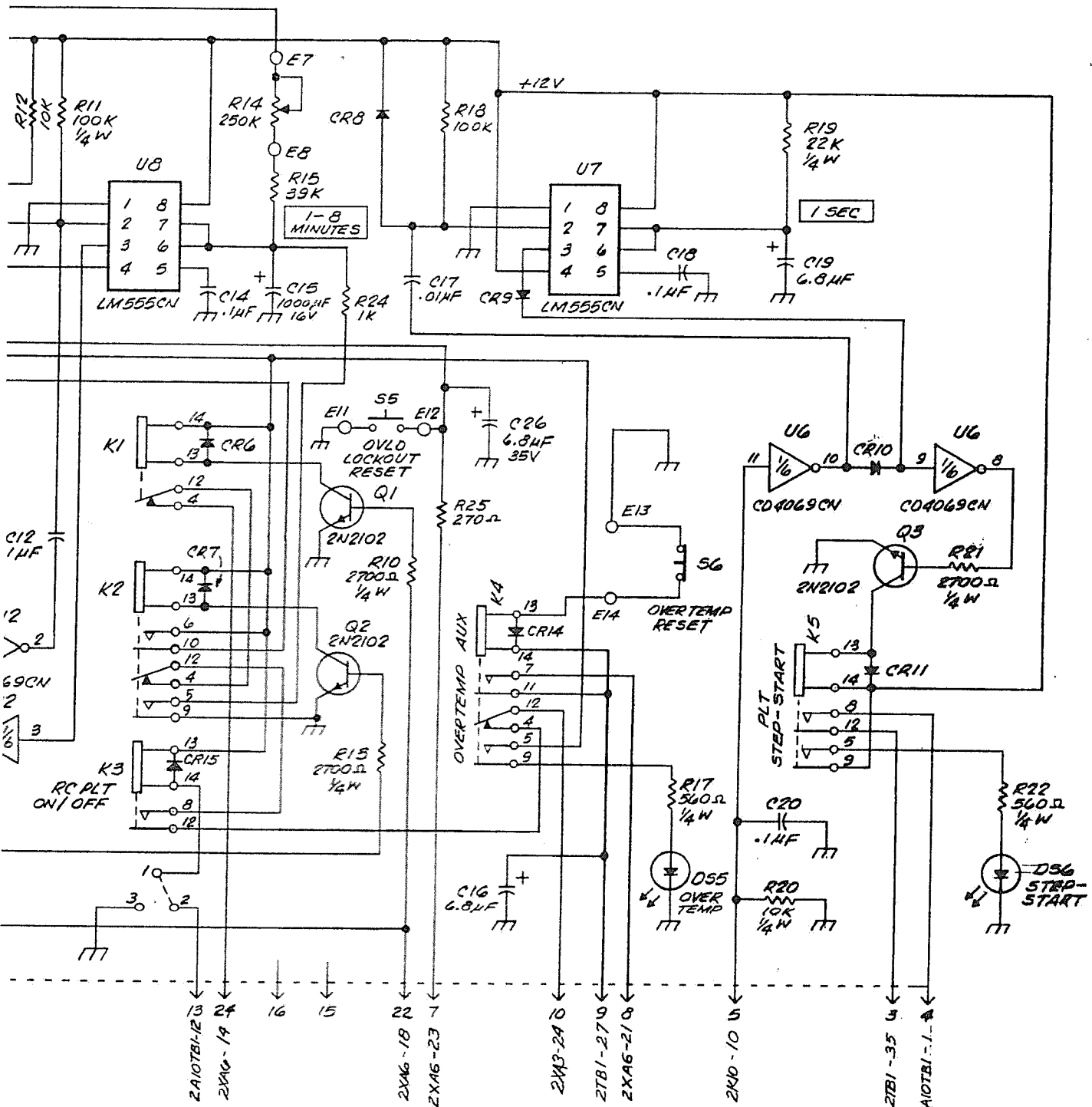
2A1



FREQUENCY DIVISION CHART	
DIVISION	CONNECTIONS
÷ 4	1 TO 3 AND 2 TO 4
÷ 6	1 TO 4 AND 2 TO 5
÷ 8	1 TO 3 AND 2 TO 5
÷ 10	1 TO 4 AND 2 TO 6



REV		DESCRIPTION	DATE	APPROVED
03	A	ADDED C26	7/24/80	JVEY

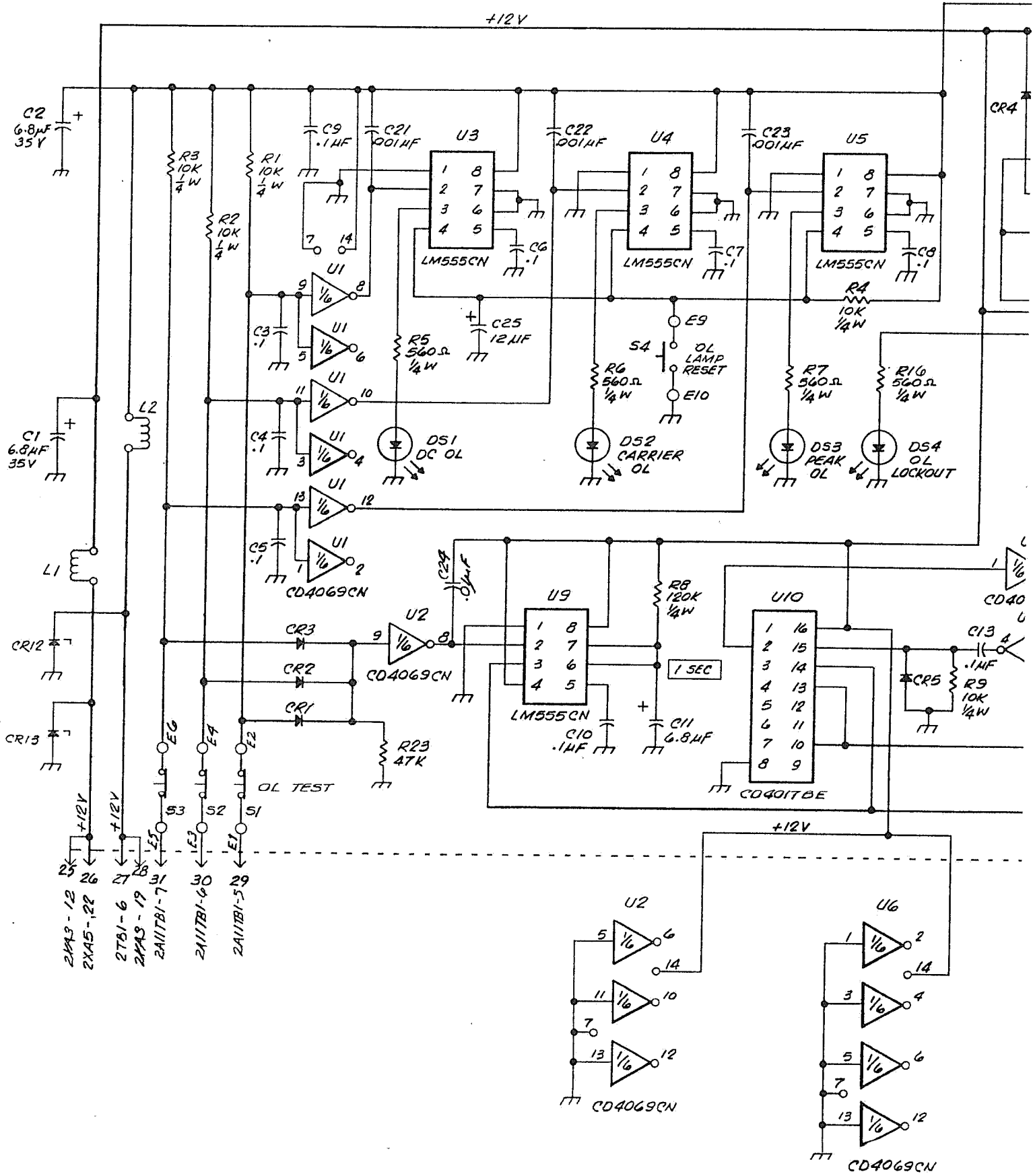


EPL NO. 141448

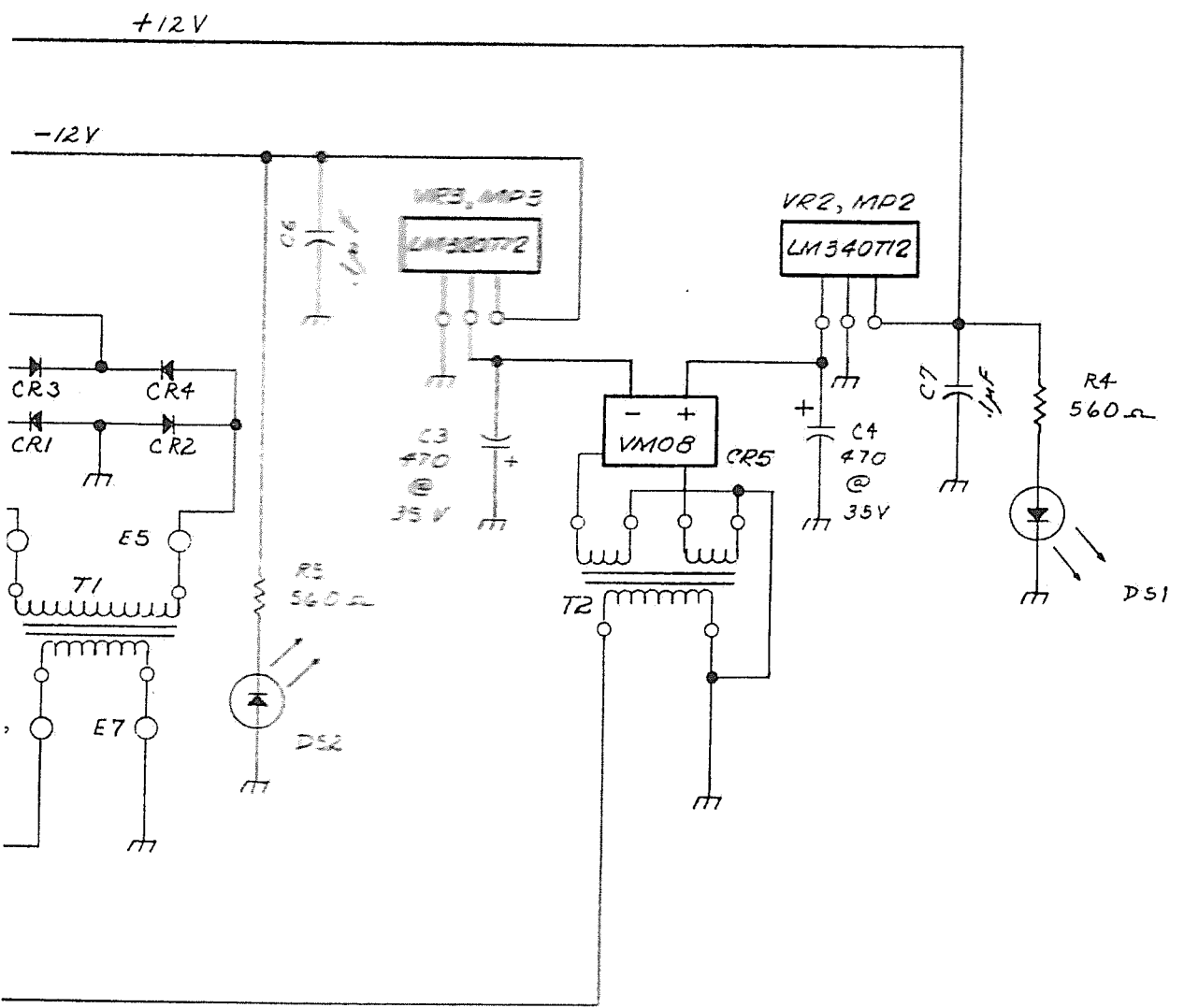
2A4

QTY REQD PER DASH NO		ITEM	ZONE	PART OR IDENTIFYING NO	DWG SIZE	NOMENCLATURE OR DESCRIPTION	CODE IDENT	
		LIST OF MATERIAL OR PARTS LIST						
		UNLESS OTHERWISE SPECIFIED				DRAWN JAMES IVEY CHECKED MECH DSGN ELEC ENGR J. SAINTON APPROVED	DATE 3-14-80 Continental Electronics MFG. CO. DALLAS TEXAS	
		TOLERANCE ON 2 PLACE DEC 3 PLACE DEC ANGLES MACHINED SURFACE FINISH 125/ AND ALL DIMENSIONS ARE IN INCLUDE APPLIED FINISH REMOVE ALL BURRS AND SHARP EDGES				SCHEMATIC, TRANSMITTER PLATE CONTROL		
142583	D	2343				SIZE D	CODE IDENT NO 52151	
NEXT ASSY	DWG SIZE	USED ON			SCALE	WT	SHEET 1 OF 1	

142585



REVISIONS				
REV	LET	DESCRIPTION	DATE	APPROVED
03	A	REV PER MKD PRINT. CIO WAS	22 MAR 83	J. CLARK



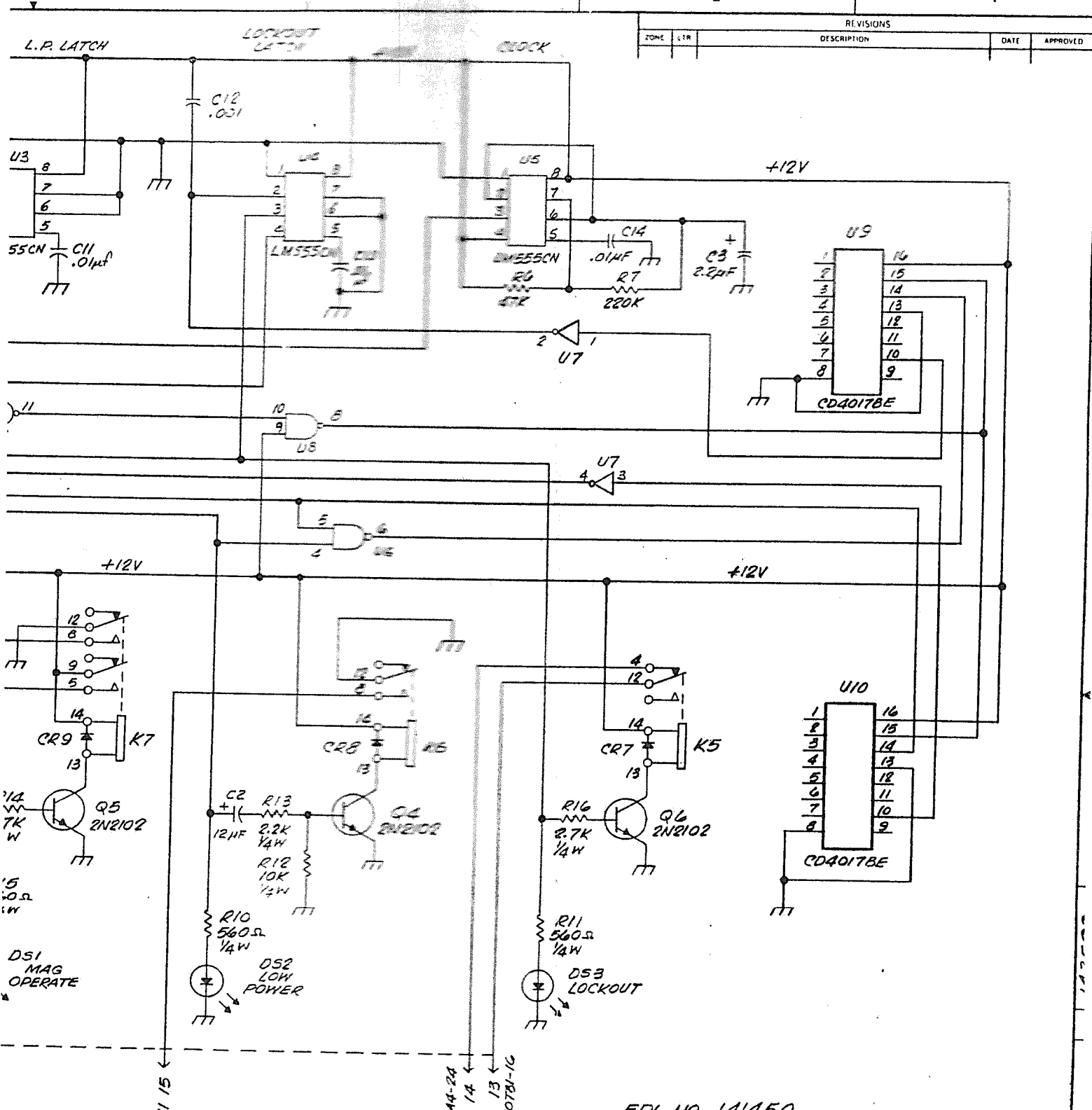
EPL 141449

245

QTY REQD PER DASH NO	ITEM	ZONE	PART OR IDENTIFYING NO	DWG SIZE	NOMENCLATURE OR DESCRIPTION	CODE IDENT
LIST OF MATERIAL OR PARTS LIST						
UNLESS OTHERWISE SPECIFIED			DRAWN L.C. FERNICOLA		DATE 6-20-80	
TOLERANCE ON			CHECKED		Continental Electronics MFG. CO.	
2 PLACE DEC 3 PLACE DEC ANGLES			MECH DSGN			
MACHINED SURFACE FINISH 125/			ELEC ENGR J. SAINTON		SCHEMATIC POWER SUPPLY	
ALL DIMENSIONS ARE IN AND INCLUDE APPLIED FINISH. REMOVE ALL BURRS AND SHARP EDGES.			APPROVED			
595	D	2343			SIZE C	CODE IDENT NO. 52151
					SCALE: ~	W/L ~
					SHEET 1 OF 1	

D
C
B
A

142597



REVISIONS			
ZONE	DATE	DESCRIPTION	APPROVED

EPL NO. 141450

2A6

ITEM	ZONE	PART OR IDENTIFYING NO.	QTY REQ PER DASH NO.	DWG SIZE	NOMENCLATURE OR DESCRIPTION	CODE IDENT
UNLESS OTHERWISE SPECIFIED						
TOLERANCE ON			FRAC			
2 PLACE DEC			3 PLACE DEC		ANGLES	
MACHINED SURFACE FINISH 125/ AND						
ALL DIMENSIONS ARE IN INCLUDE APPLIED FINISH REMOVE ALL BURRS AND SHARP EDGES						
142580		D 2343				
NEXT ASSY		DWG SIZE		USED ON		
				DRAWN JANE CLARK		DATE 1-18-82
				CHECKED		
				MECH DSON		
				ELEC ENGR J. SAINTON		
				APPROVED		
		SIZE		CODE IDENT NO.		
		D 52151		142582		

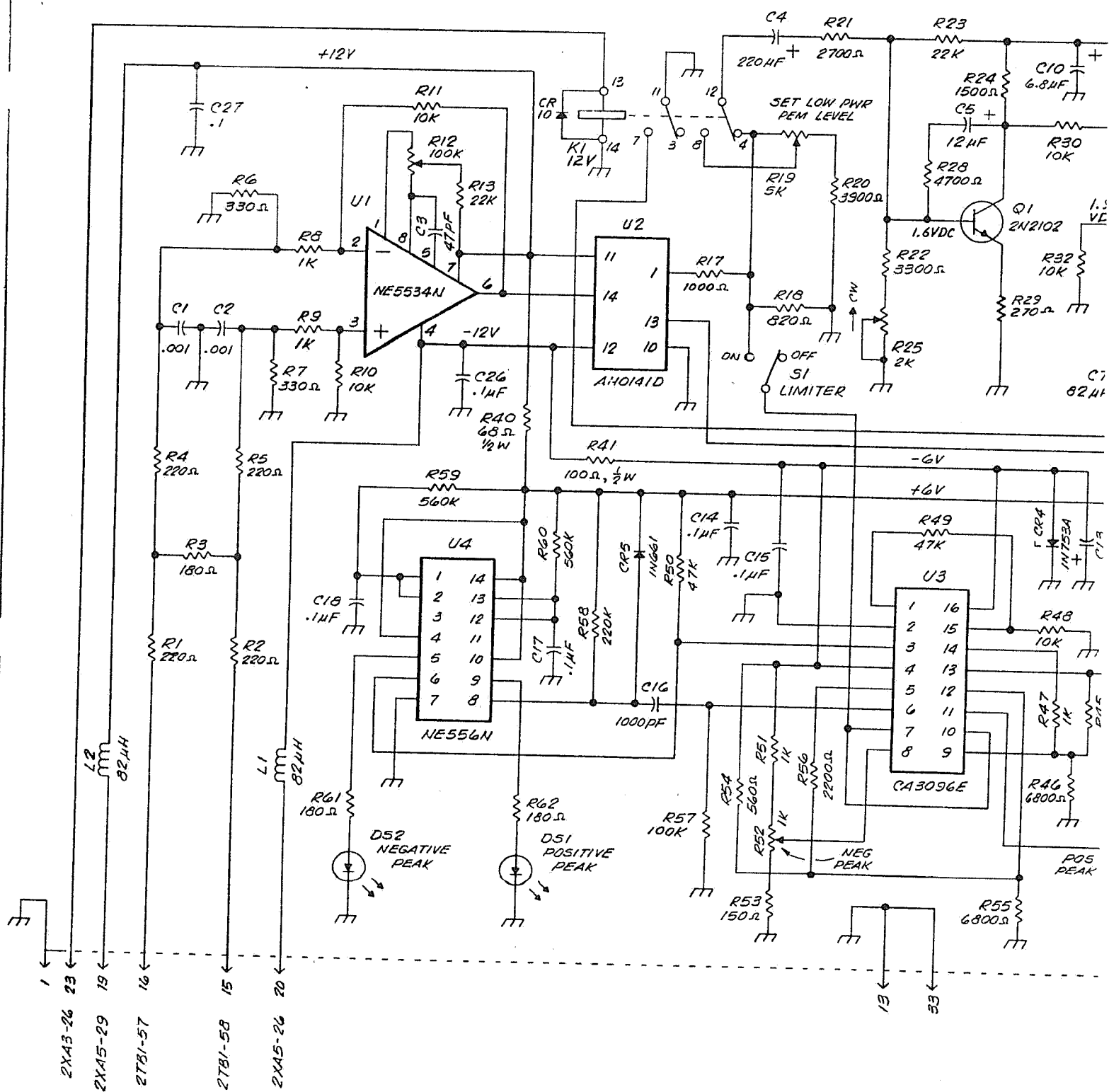
2A6

Continental Electronics
MFG CO.

DALLAS TEXAS

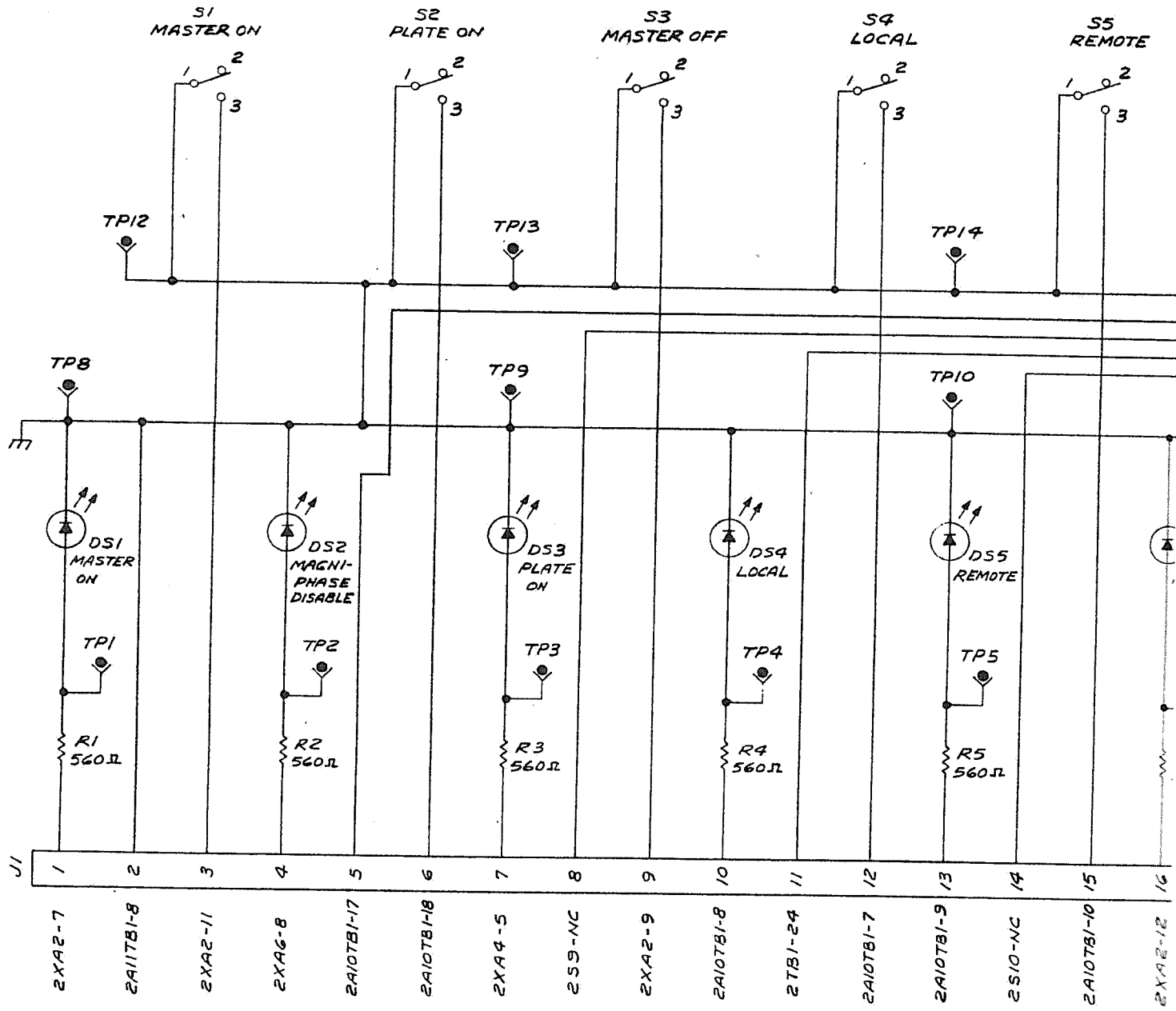
**SCHEMATIC,
MAGNIPHASE CONTROL**

PROPRIETARY NOTICE: THIS DOCUMENT AND THE INFORMATION CONTAINED HEREIN ARE THE PROPERTY OF GENERAL ELECTRIC COMPANY AND SHALL NOT BE REPRODUCED, COPIED, OR TRANSMITTED IN ANY FORM OR BY ANY MEANS, ELECTRONIC OR MECHANICAL, INCLUDING PHOTOCOPYING, RECORDING, OR BY ANY INFORMATION STORAGE AND RETRIEVAL SYSTEM, WITHOUT PERMISSION IN WRITING FROM GENERAL ELECTRIC COMPANY.



VOLTAGES AT BASE OF Q1 THRU Q4 ARE TYPICAL AND MAY VARY ON SOME TRANSMITTERS.

* FACTORY SELECT



A

2K47-1

REVISIONS

LTR	DESCRIPTION	DATE	APPROVED

EPL NO. 141453

2A9

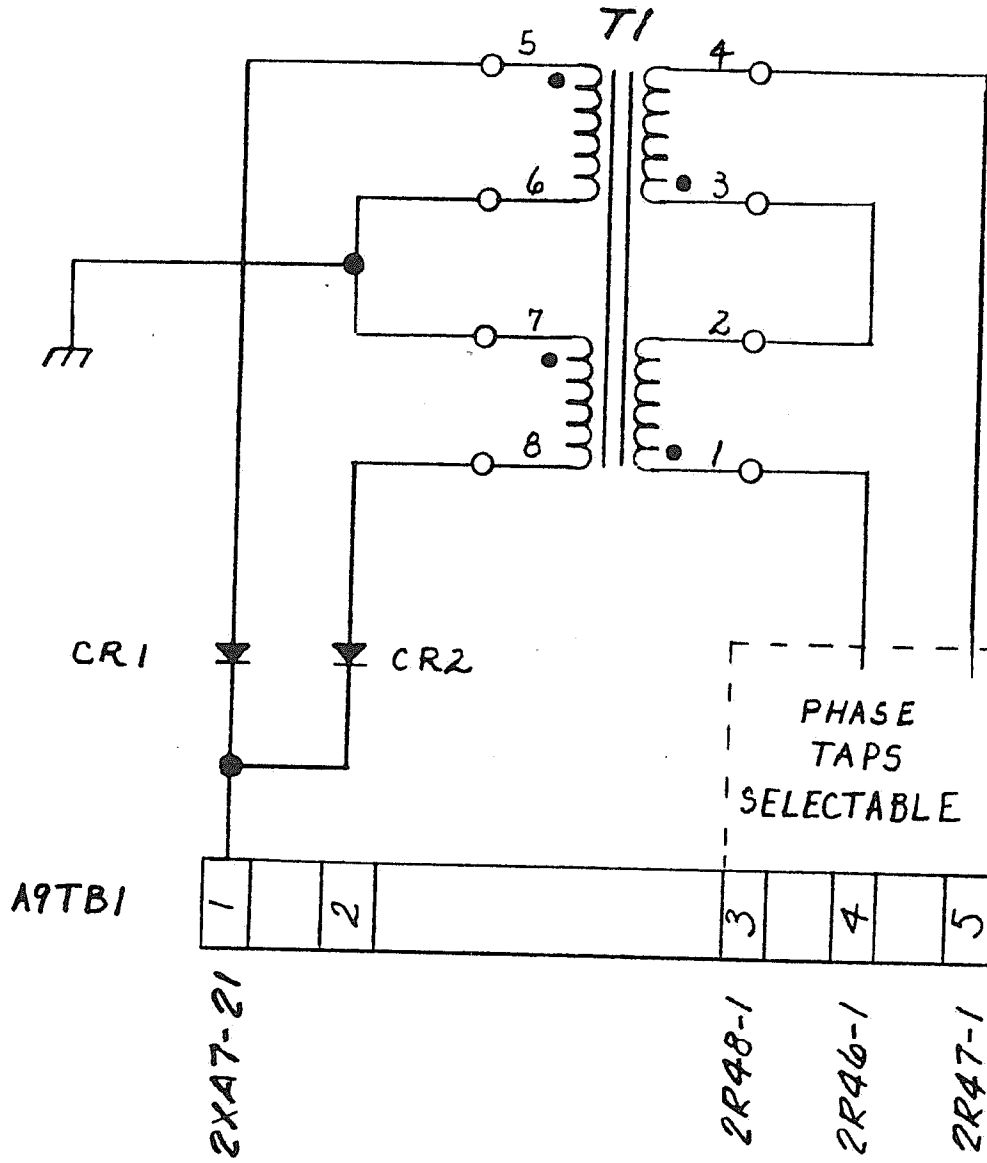
RT OR IDENTIFYING NO.	DWG SIZE	NOMENCLATURE OR DESCRIPTION	CODE IDENT
-----------------------	----------	-----------------------------	------------

LIST OF MATERIAL OR PARTS LIST

UNLESS OTHERWISE SPECIFIED TOLERANCE ON: FRAC ± 2 P DEC 3 P DEC ANGLES ± ± ± MACH. SURFACE FIN. 125 ✓ ALL DIM. ARE IN AND INCLUDE APPLIED FIN. REMOVE ALL BURRS AND SHARP EDGES.	DRAWN L.C. FERNICOLA	DATE 6-17-80	<i>Continental Electronics</i> MFG. CO. DALLAS, TEXAS	
	CHECKED 	ENGR J. SAINTON	SCHEMATIC, HUM BALANCING ASSEMBLY	
		SIZE B	CODE IDENT NO. 52151	142606
		SCALE: ~	WT ~	SHEET 1 OF 1

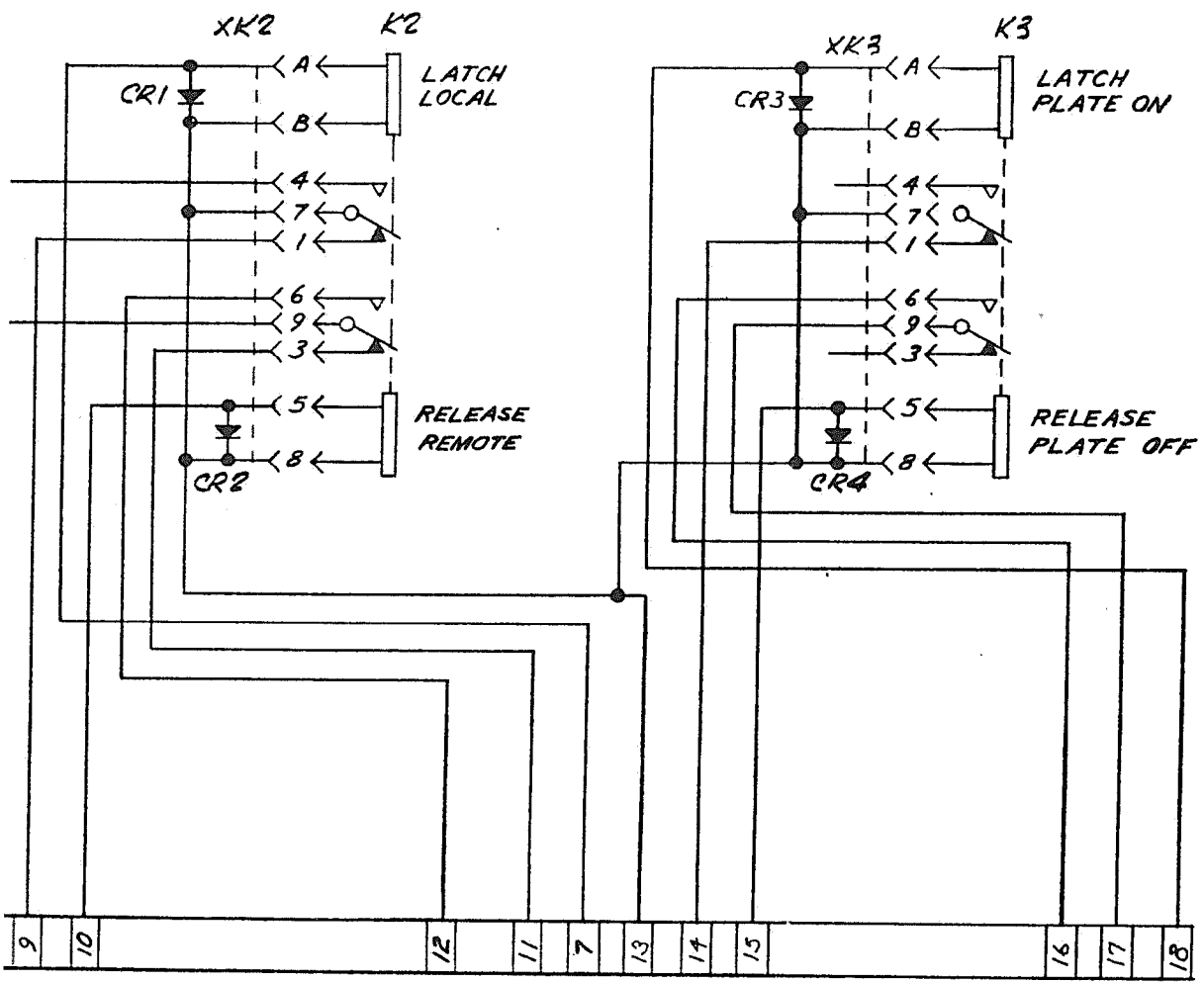
PROPRIETARY NOTICE: THIS DOCUMENT AND THE SUBJECT MATTER HEREOF ARE THE PROPERTY OF CONTINENTAL ELECTRONICS MFG. CO. AND SHALL NOT BE REPRODUCED OR COPIED OR USED FOR THE PURPOSE OF MANUFACTURING OR SALE OF APPARATUS EXCEPT BY WRITTEN PERMISSION OF CONTINENTAL ELECTRONICS MFG. CO.

UNIT 2
CHASSIS
GROUND



QTY REQD PER DASH NO.	ITEM	PART
142604	C	2343
NEXT ASSY	DWG SIZE	USED ON

REVISIONS				
ZONE	LTR	DESCRIPTION	DATE	APPROVED



9	10	12	11	7	13	14	15	16	17	18	
2PB-13	2PB-15	2TB1-65 2XA4-13	2TB1-59	2PB-12	2XA6-26 2K6-12	2PB-19	2PB-18 2TB1-67	2XA6-13	2K4-12	2PB-5	2PB-6 2TB1-66

EPL 141454

2A10

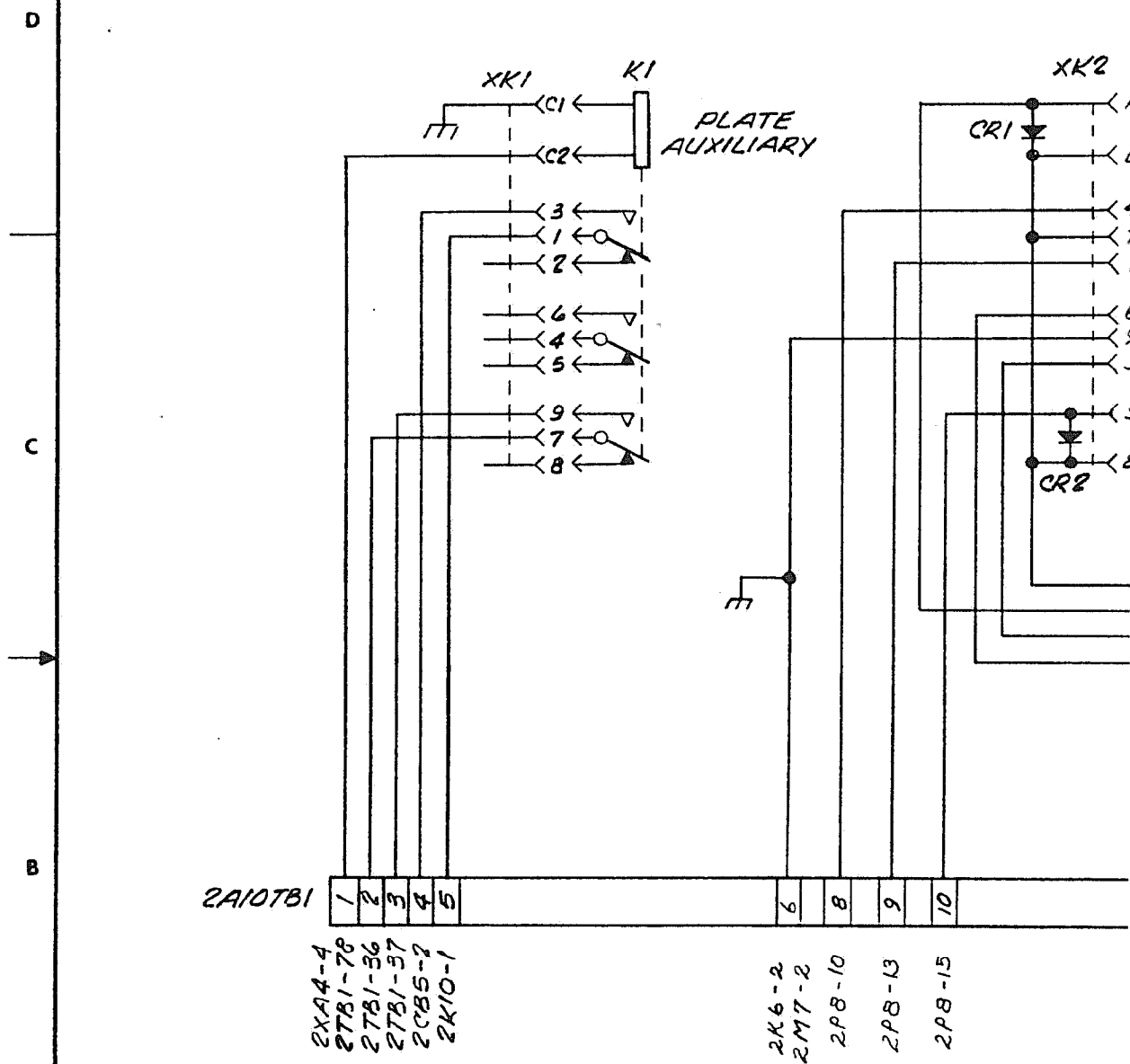
QTY REQD PER DASH NO.	ITEM	ZONE	PART OR IDENTIFYING NO	DWG SIZE	NOMENCLATURE OR DESCRIPTION	CODE IDENT
-----------------------	------	------	------------------------	----------	-----------------------------	------------

UNLESS OTHERWISE SPECIFIED		DRAWN L.C. FERNICOLA		DATE 6-18-80		Continental Electronic MFG. CO.	
TOLERANCE ON: FRAC		CHECKED		MECH DSGN		DALLAS TEXAS	
2 PLACE DEC 3 PLACE DEC ANGLES		ELEC ENGR J. SAINTON		APPROVED		SCHEMATIC, RELAY ASSEMBLY	
MACHINED SURFACE FINISH 125/√ AND		SIZE		CODE IDENT NO.		142609	
ALL DIMENSIONS ARE IN INCLUDE APPLIED FINISH. REMOVE ALL BURRS AND SHARP EDGES		C		52151		SHEET OF	
2607	C	2343	SCALE		WT		OF

D
B
C
A

142609

PROPRIETARY NOTICE: THIS DOCUMENT AND THE SUBJECT MATTER HEREOF ARE THE PROPERTY OF CONTINENTAL ELECTRONICS MFG. CO. AND SHALL NOT BE REPRODUCED OR COPIED OR USED FOR THE PURPOSE OF MANUFACTURING OR SALE OF APPARATUS EXCEPT BY WRITTEN PERMISSION OF CONTINENTAL ELECTRONICS MFG. CO.



D
C
B
A

QTY REQD PER DAS-8			UNIT
			TOLDR
			2 PLW
			1
			MACH
			ALL 1
			INCL
			REWB
142607	C	2343	
NEXT ASST	QTY REQD	USED ON	


REVISIONS			
LTR	DESCRIPTION	DATE	APPROVED
A	CHG 13TBI-1 FROM 2K1-1 CHG 13TBI-2 FROM 2XA2-19	3/20/81	CJA

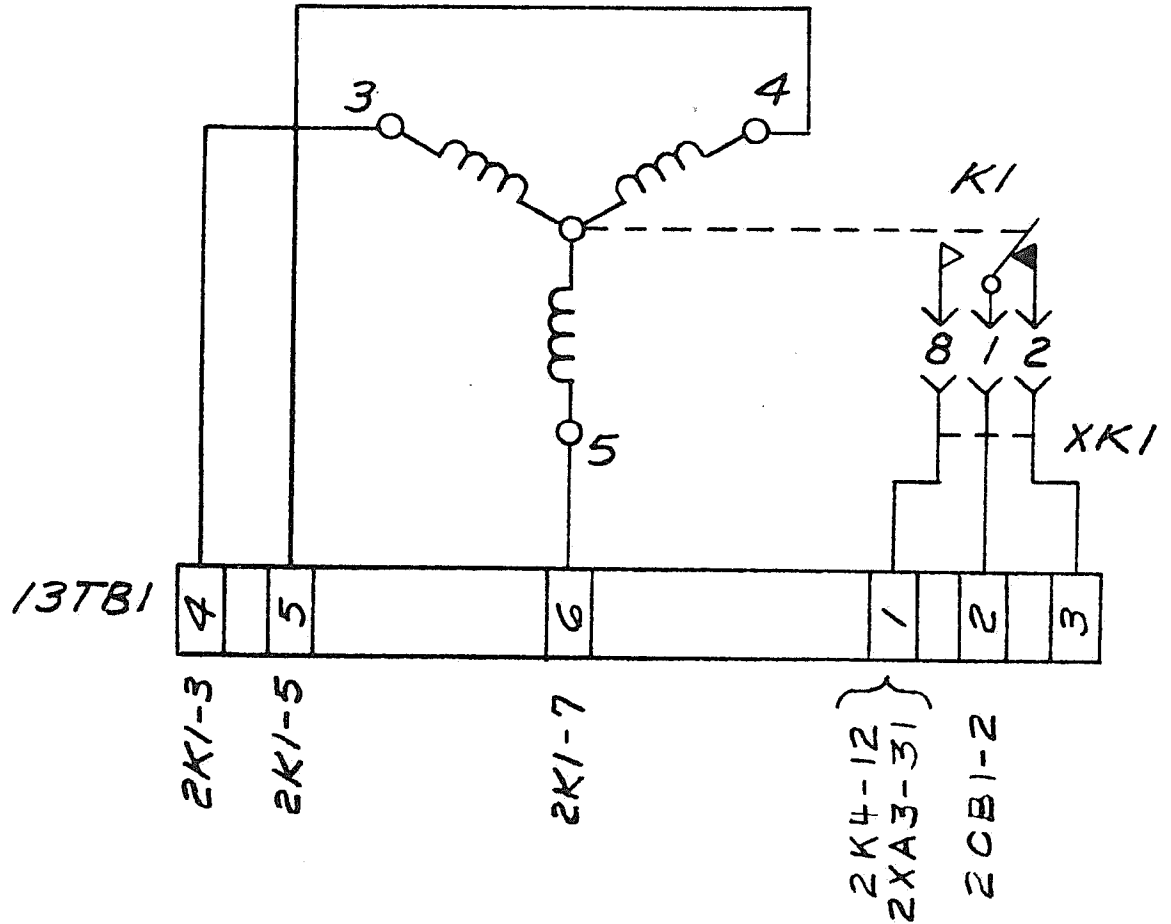
EPL NO. 141457

2A13

OR IDENTIFYING NO.	DWG SIZE	NOMENCLATURE OR DESCRIPTION	CODE IDENT
--------------------	----------	-----------------------------	------------

LIST OF MATERIAL OR PARTS LIST

UNLESS OTHERWISE SPECIFIED	DRAWN	DATE	Continental Electronics 	
	JANE CLARK	1-18-82	MFG. CO. DALLAS, TEXAS	
TOLERANCE ON: FRAC ± 2 P DEC 3 P DEC ANGLES ± ± ±	CHECKED		SCHEMATIC, PHASE FAILURE PROTECTION	
MACH. SURFACE FIN. 125/	ENGR			
ALL DIM. ARE IN AND INCLUDE APPLIED FIN.	J. SAINTON		SIZE	CODE IDENT NO.
REMOVE ALL BURRS AND SHARP EDGES.			B	52151 142618
			SCALE: ~	WT ~ SHEET 1 OF 1



QTY REQD PER DASH NO.		ITEM	PART OR IDENT
			UNL
			TOLERA 2 P DE ±
			MACH.
			ALL DIM AND IN
			REMOVE SHARP
142616		2343	
NEXT ASSY	DWG SIZE	USED ON	

2

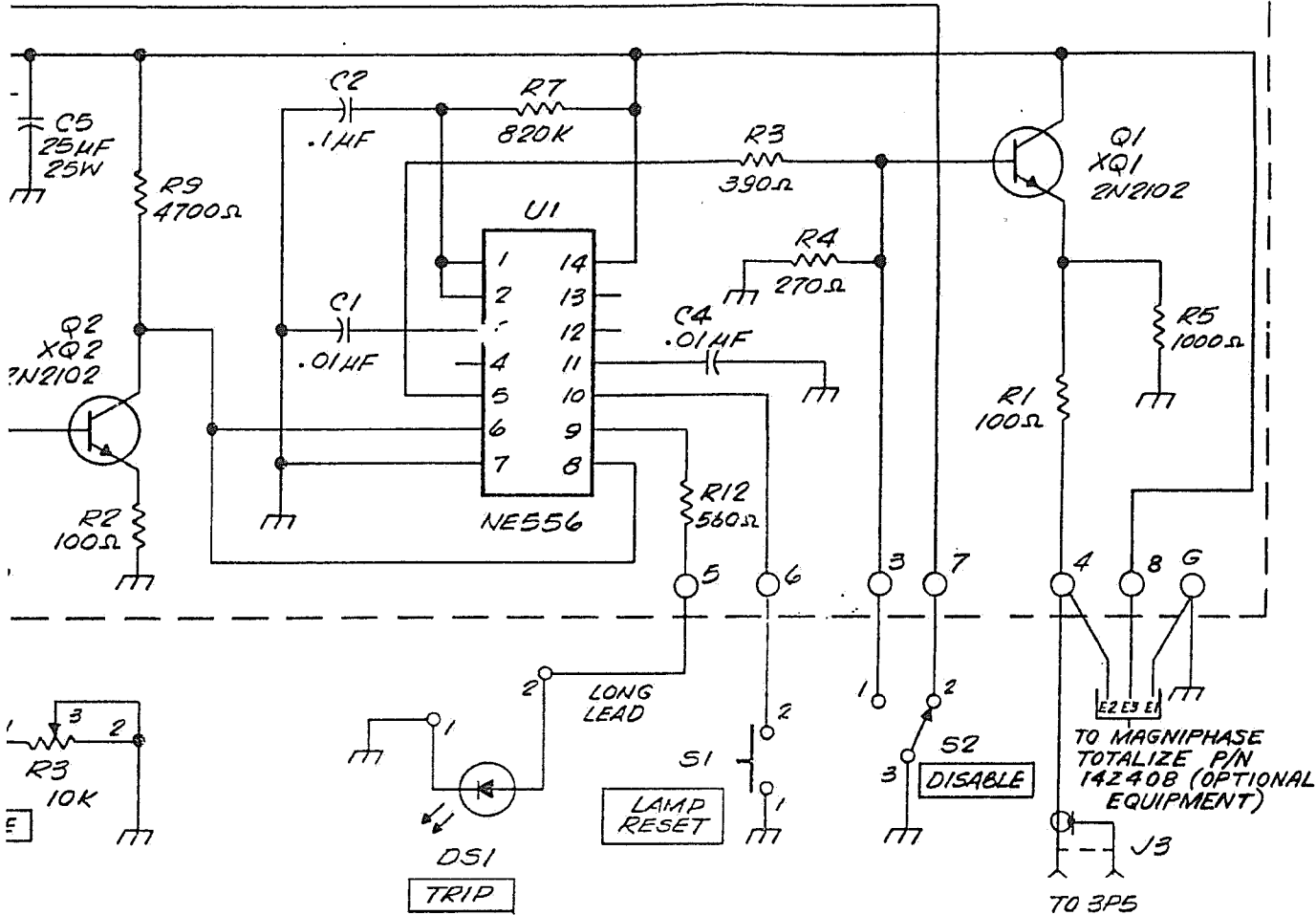
1

REVISIONS				
ZONE	LTR	DESCRIPTION	DATE	APPROVED
A		4444 TERMINATION TO MAGNIPHASE TOTALIZE PER P/N COM-20-7	7/18/66	CJA

A1

MAGNIPHASE BOARD

ASSY NO. 142622 - EPL NO. 141459



3A2

QTY REQD PER DASH NO		ITEM	ZONE	PART OR IDENTIFYING NO	DWG SIZE	NOMENCLATURE OR DESCRIPTION	CODE IDENT
UNLESS OTHERWISE SPECIFIED							
TOLERANCE ON:		FRAC					
2 PLACE DEC		3 PLACE DEC		ANGLES			
=		=		=			
MACHINED SURFACE FINISH 125/							
ALL DIMENSIONS ARE IN INCHES AND							
INCLUDE APPLIED FINISH AND							
REMOVE ALL BURRS AND SHARP EDGES							
DRAWN		DATE		Continental Electronics MFG. CO. DALLAS TEXAS			
JAMES IVEY		6-16-66					
CHECKED							
MECH DSGN							
ELEC ENGR		SCHEMATIC, MAGNIPHASE					
J. SAINTON							
APPROVED							
SIZE	CODE IDENT NO	142621					
C	52151						
SCALE:	WT	SHEET 1 OF 1					

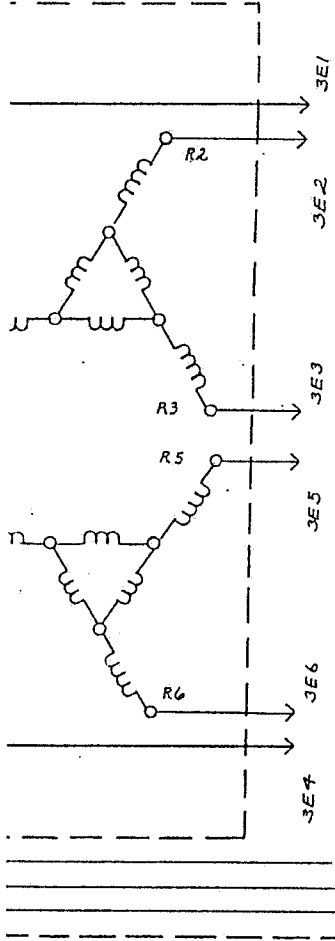
DWG SIZE USED ON

142621

A

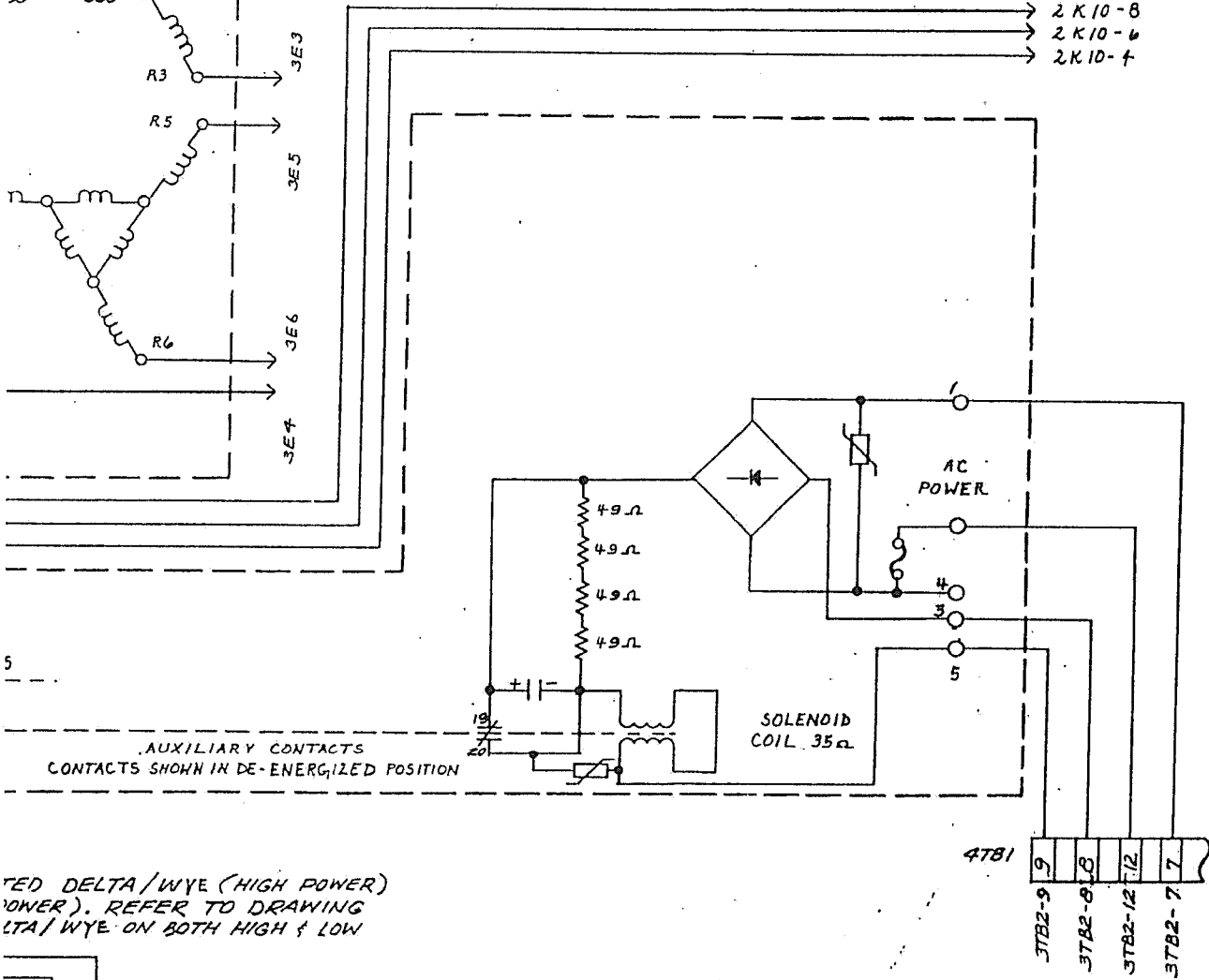
ZONE	LIB	DESCRIPTION	DATE	APPROVED
A		REV K2; ADDED NOTE 2	8-16-85	IVEY
B		REVISED PER MARKED PRINT	11/2/85	RG
C		REVISED KI SCHEMATIC	8/29/85	CJA

NOTE: 1



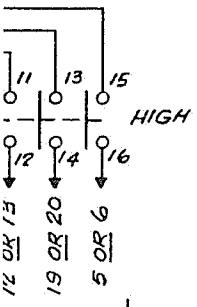
TAP TABLE

TRANSFORMER TYPE	INPUT VOLTAGE	LOW POWER 4K2 TAPS	
		10 KW TAPS	25KW TAPS
512-0759 REV E	480	2-9-16	4-11-18
	600	1-8-15	3-10-17
512-0808B	380	2-9-16	4-11-18
	480	1-8-15	3-10-17



AUXILIARY CONTACTS
CONTACTS SHOWN IN DE-ENERGIZED POSITION

WOUND DELTA/WYE (HIGH POWER)
(LOW POWER). REFER TO DRAWING
LTA/WYE ON BOTH HIGH & LOW



MINIMAL REQUIRED
INPUT POWER

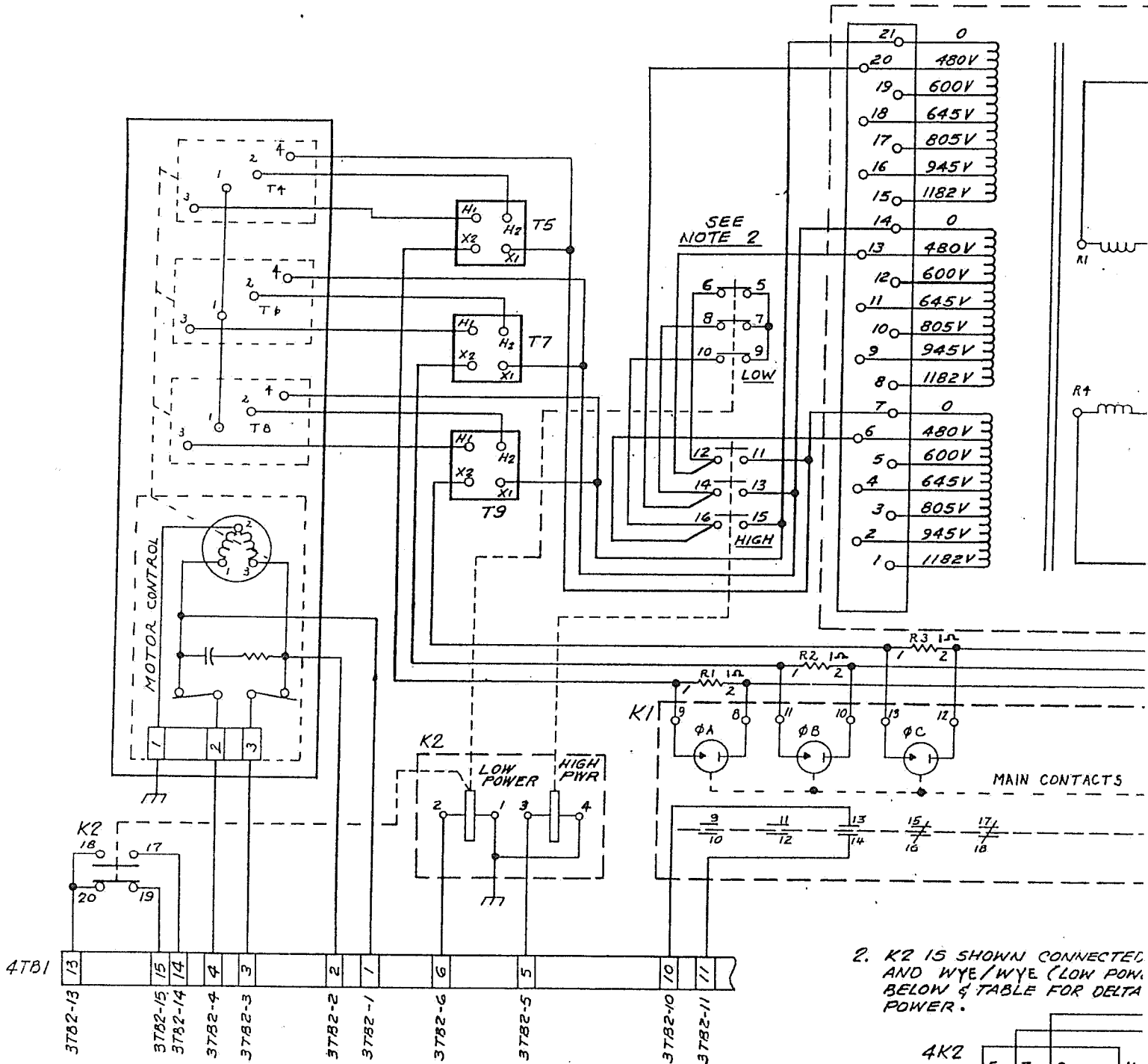
QTY REQD PER DASH NO.		ITEM ZONE	PART OR IDENTIFYING NO.	QTY SIZE	NOMENCLATURE OR DESCRIPTION	DATE	CODE IDENT	
		UNLESS OTHERWISE SPECIFIED					LIST OF MATERIAL OR PARTS LIST	
		TOLERANCE ON		DRAWN		DATE		
		FRAC		JANE CLARK		7-2-81		
		2 PLACE DEC 3 PLACE DEC ANGLES		CHECKED				
		MACHINED SURFACE FINISH 125/		MECH DSGN				
		AND		ELC ENGR				
		ALL DIMENSIONS ARE IN		J. SAINTON				
		INCLUDE APPLIED FINISH		APPROVED				
		REMOVE ALL BURRS AND SHARP EDGES						
142634		E343						
NEXT ASSY		QTY USED ON						
D		52151		142644				
SCALE						SHEET 1 OF 1		

Continental Electronics
MFG. CO.
DALLAS TEXAS

SCHEMATIC,
PLATE TRANSFORMER
UNIT.

UNIT 4

142644



2. K2 IS SHOWN CONNECTED AND WYE/WYE (LOW PWR. BELOW & TABLE FOR DELTA POWER.)

NOTES:

1. PRIMARY VOLTAGES SHOWN ON T3 ARE FOR 512-0759 REV E TRANSFORMER ONLY. REFER TO DRAWING BELOW FOR 512-0808B PRIMARY VOLTAGE TERMINALS.

