



Broadcast Equipment



Collins Broadcast Equipment - 1966

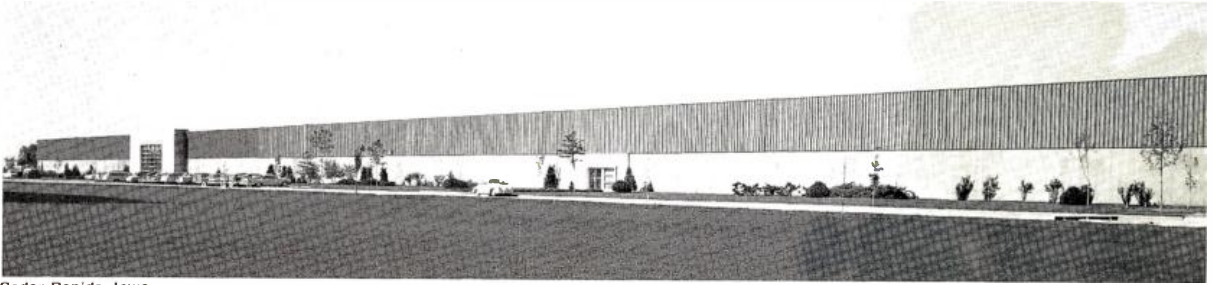
CONTENTS

Collins Radio Company	I	Disc Equipment	79
AM Transmitters	3	Tape Audio	84
Phasing	12	Microphones	93
FM Transmitters	17	Audio Accessories	98
Antennas	32	Measuring, Monitoring	108
Towers	35	Remote Control	112
Transmission Lines and Accessories	38	Tables, Charts, Graphs	115
Audio Facilities	70	Indices	134

Sales Policy is found on page 140 of this catalog.

Equipment descriptions in this catalog were condensed so that the complete line of broadcast units supplied by Collins Radio Company could be shown. For more information on any of these units, you are invited to contact your Collins Broadcast Sales Engineer or Collins Radio Company, Broadcast Communication Division, Dallas, Texas.

Customers in countries other than the United States are invited to contact the nearest International Sales Office or Collins International Division, Dallas, Texas.

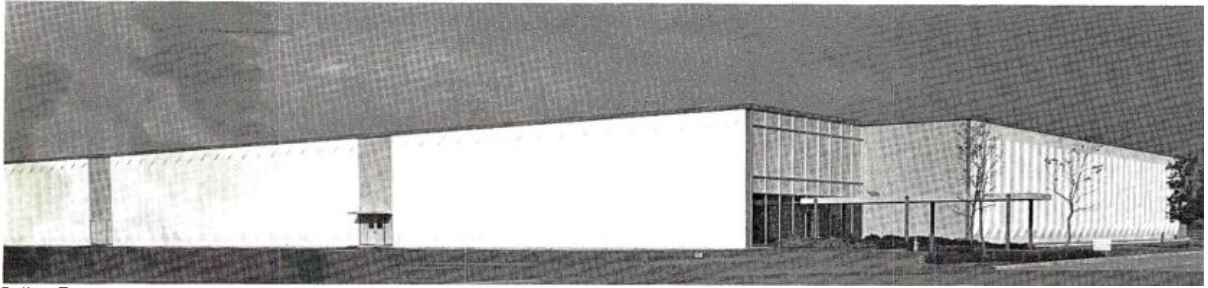


Cedar Rapids, Iowa



Toronto, Ontario, Canada

Collins Radio Company



Dallas, Texas



Newport Beach, California

Collins Radio Company produces more than 1,000 products for communication, computation and control at manufacturing facilities in Dallas, Texas; Cedar Rapids, Iowa; Newport Beach, California; and Toronto, Ontario.

Collins is a communications-oriented company with laboratory, manufacturing, administrative and sales facilities occupying more than three million square feet of floor space.

Employing more than 20,000 engineers, scientists, manufacturing and support personnel, the Company applies approximately 20% of its effort to research and development.

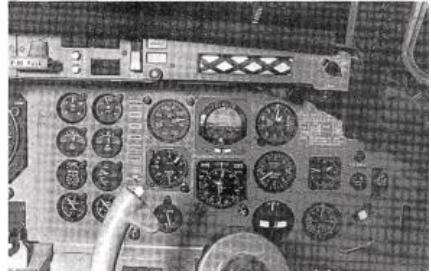
Company activities include research, development, manufacture and product support in the areas of avionics, space tracking and communication, broadcasting, microwave/scatter, high frequency long-range equipment, specialized military tactical equipment, antennas, components, and computer and data transmission systems.



Collins Data Central



Communication/Navigation/Identification System



All-Weather Flight System



The Collins trademark is well known to the broadcast industry. For years, the symbol has stood for the finest, most reliable, and most advanced broadcast equipment available. Collins is universally recognized in other fields.

Examples:

SPACE. The voice of every orbiting American astronaut has reached earth via Collins equipment.

AVIATION ELECTRONICS. More than 75% of the free world's commercial airlines use Collins avionics equipment.

TELECOMMUNICATIONS AND DATA. Collins developed and installed a complex ground-based system known as Short Order for the U. S. Strategic Air Command (SAC). The system gives the SAC commander instantaneous global contact with his aircraft.

The White Fox system provides NATO forces in the North Atlantic with reliable voice and teletype communications.

Aeronautical Radio Company, Incorporated (ARINC) is a major user of Collins systems. As one of the world's largest specialized communication companies, ARINC furnishes air-to-ground and point-to-point communication for airlines and corporate aircraft flying in the United States.

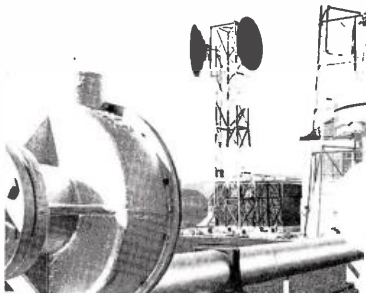
Collins houses another of the world's most advanced message processing centers at its European headquarters in London. Early in 1965 this center began handling British Overseas Airways Corporation (BOAC) traffic with a capacity of more than 250 thousand messages daily.



Space Tracking Antenna



Transportable Scatter System



Mexican Pipeline Microwave System



Tactical Communication

Another commercial application is the Collins-developed Data Central of the New York Central Railroad. A single network serving all departments and permitting full interchange of information, Data Central was the first computer-controlled system to assemble, store and distribute message and car-reporting data on a priority basis automatically.

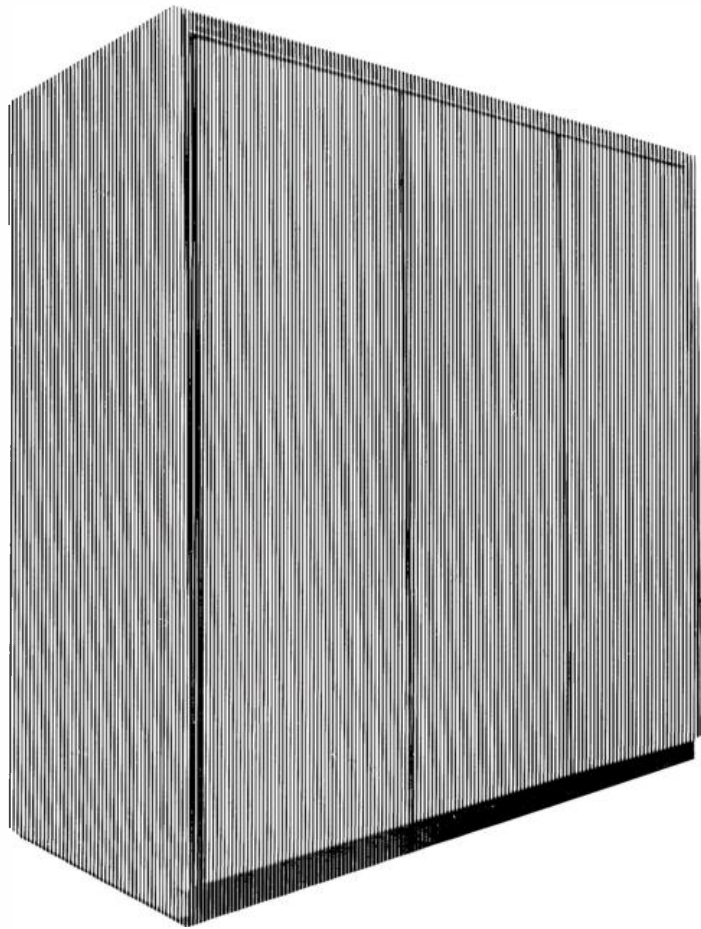
MICROWAVE AND SCATTER. Collins microwave installations are providing reliable communication throughout the free world in diverse applications ranging from the relaying of signals for remote control of pipeline pumping stations to the simultaneous transmission of voice and data.

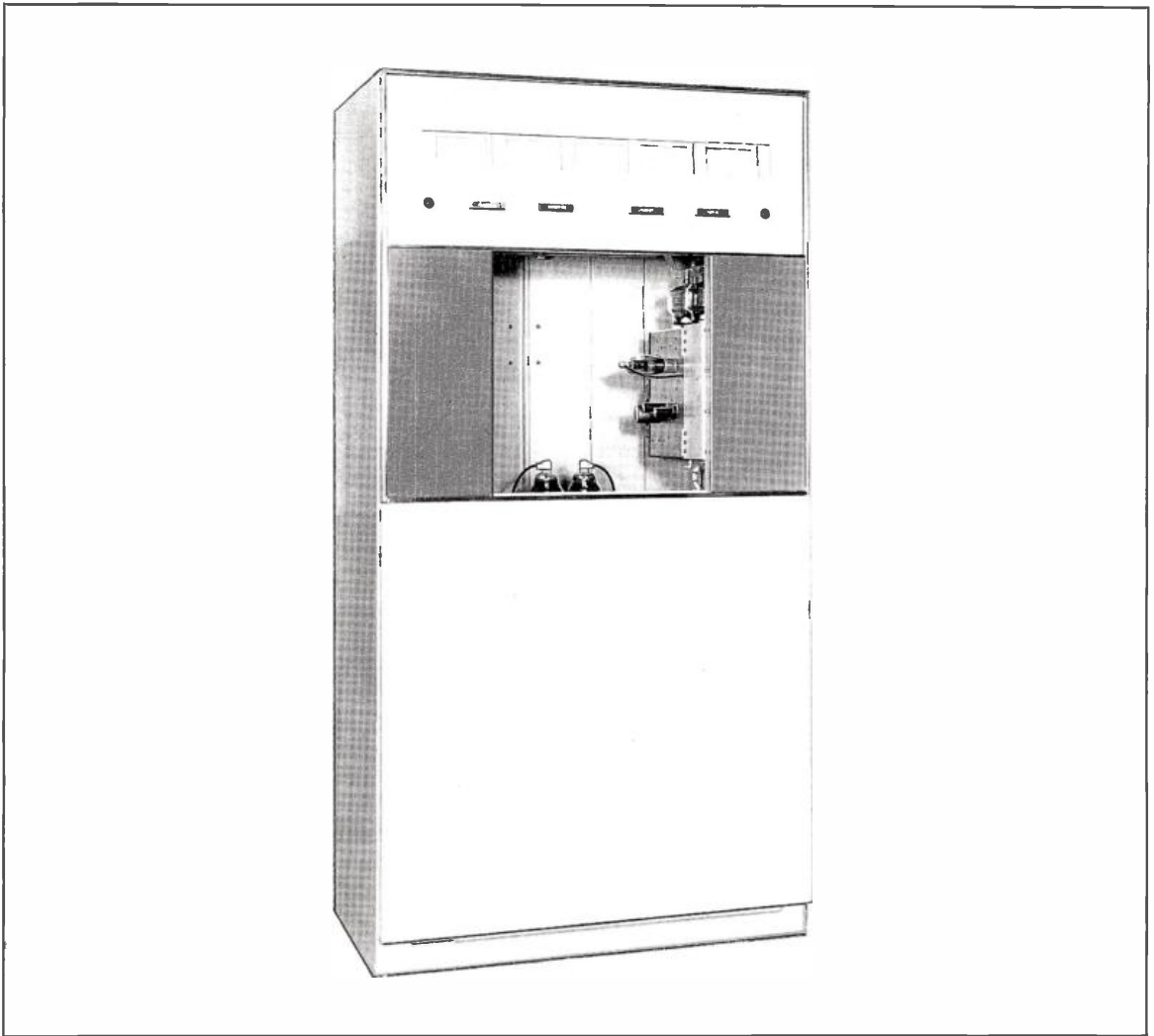
Projects include some of the world's largest privately-owned microwave systems: large government systems in many countries, including Thailand, Syria, and Korea; systems for remote radar relay for the U. S. Federal Aviation Agency; video transmission systems for color television, educational TV and communication TV antenna systems; systems for telephone companies; pipeline systems; railroad communication systems; hydroelectric systems and transportable systems.

Collins' efforts in all phases of communication have resulted in significant contributions toward advanced and reliable systems. The design and performance of these systems are a direct result of Collins' depth of experience and broad diversification in the field of communication. This design and performance is inherent in every piece of equipment and every communication system.

The crossing of related technologies in areas of communication, computation and control is adapted and applied to the design of advanced broadcast equipment.

AM Transmitters and Phasing





COLLINS 20V-3 1,000/500/250-WATT AM TRANSMITTER

The Collins 20V-3 1,000/500/250-watt AM transmitter, designed for reliable, high fidelity broadcasting at any specified frequency from 540 to 1600 kc or in any of the high frequency broadcast bands up to 12 mc, has many features that make it one of the most advanced transmitters on the market.

The bold, clean-cut styling of the cabinet is in keeping with the modern design of the transmitter circuitry. Streamlined, brushed chrome trim and white meters add to the attractive appearance of the cabinet, which is finished in a high gloss gray, blue-gray and off-white baked enamel. The cabinet and circuitry provide unparalleled accessibility for operation, maintenance and inspection.

The RF and audio chassis swing out and the power supply tilts up so that all components are exposed. Mounted on the RF and audio chassis are quiet, high capacity

blowers which force air directly on the tubes to give an extra assurance of long tube life.

Pushbutton control of filament and plate power is provided and may be extended to a remote position. Automatic sequencing of the power control circuits is incorporated. Filament voltage control and power circuit controls may be adjusted while the transmitter is operating.

A typical stability of ± 2 cps is attained by using a highly perfected oscillator design in conjunction with very stable, low temperature coefficient crystals—a concept pioneered by Collins to eliminate the troublesome crystal oven.

Thermal time delay circuitry selects the optimum time interval before the transmitter can be returned to the air after a power line failure. After an instantaneous power interruption the carrier can be returned to the air

immediately, cutting off-the-air time to a minimum. Overload relays are adjustable and are provided for the RF driver, audio driver, power amplifier and modulator stages. These relays are connected so that an overload removes plate power and the equipment must be re-energized manually.

The 20V-3 power supplies are heavy duty and conservative. One high voltage power supply is used for the modulator and final amplifier. A separate low voltage supply feeds the modulator screen grids, as well as the plates and screen grids of the other RF and audio tubes. Bias supply provides voltages for the modulator, power amplifier and other biasing throughout the transmitter.

The Collins 20V-3 uses four, Type 4-400A tetrodes in the modulator and final amplifier. The use of the 4-400A tetrodes is another concept pioneered by Collins and now widely accepted as the best in transmitter design.

Frequency Range: 540-1600 kc standard. Frequencies to 12 mc available.

Power Output: 1,000/500/250 watts.

Frequency Stability: Better than ± 5 cps. (Typical—Better than ± 2 cps.)

Audio Frequency Response: Within ± 2 db, 50-10,000 cps.

Audio Frequency Distortion: Less than 3%, 50-7,500 cps up to 95% modulation level. (Typical—Less than 3%. 30-15,000 cps.)

Residual Noise Level: 60 db or better below 100% modulation.

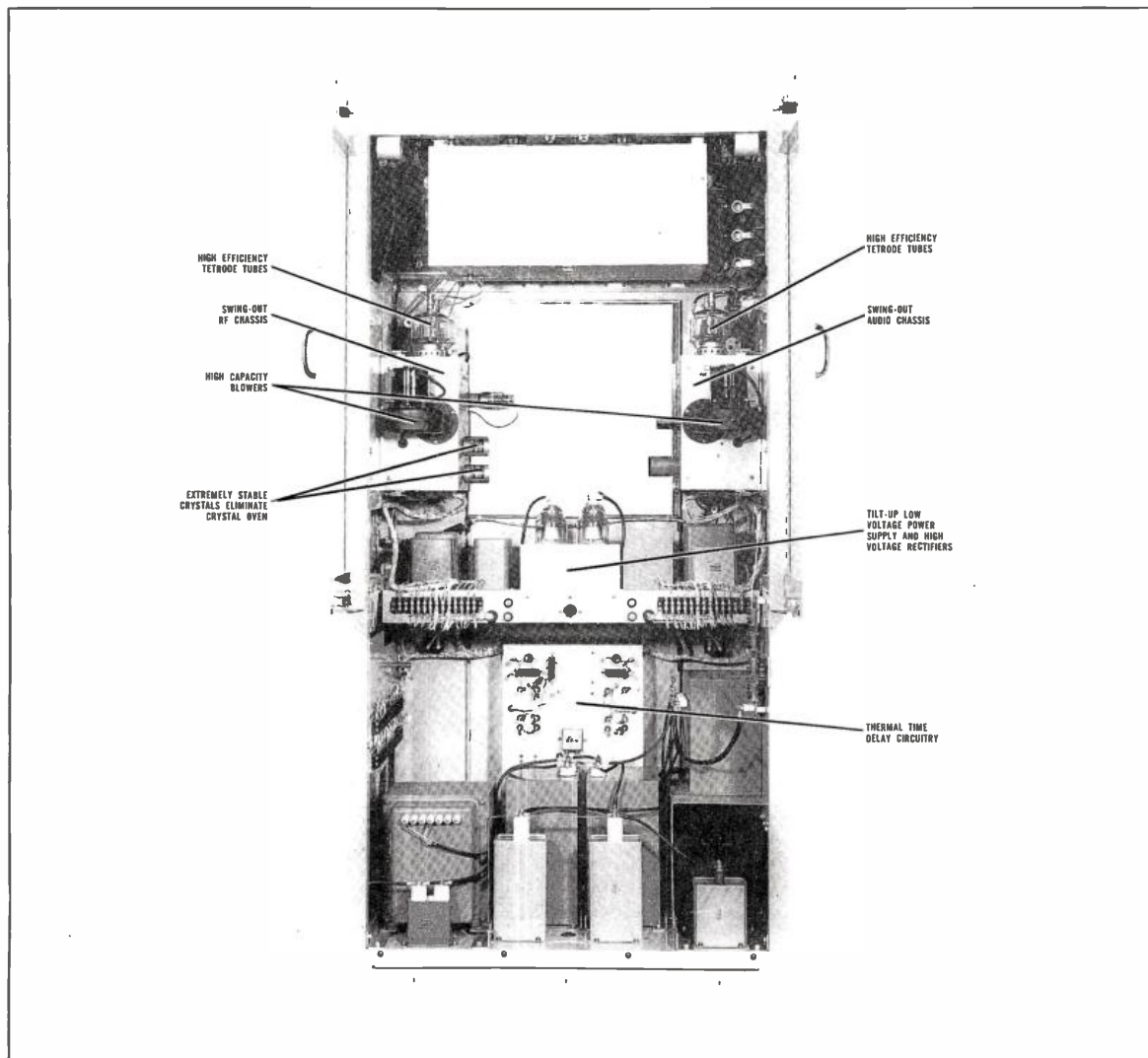
Carrier Shift: Less than 3%, 0-100% modulation. (Typical—Less than 2%.)

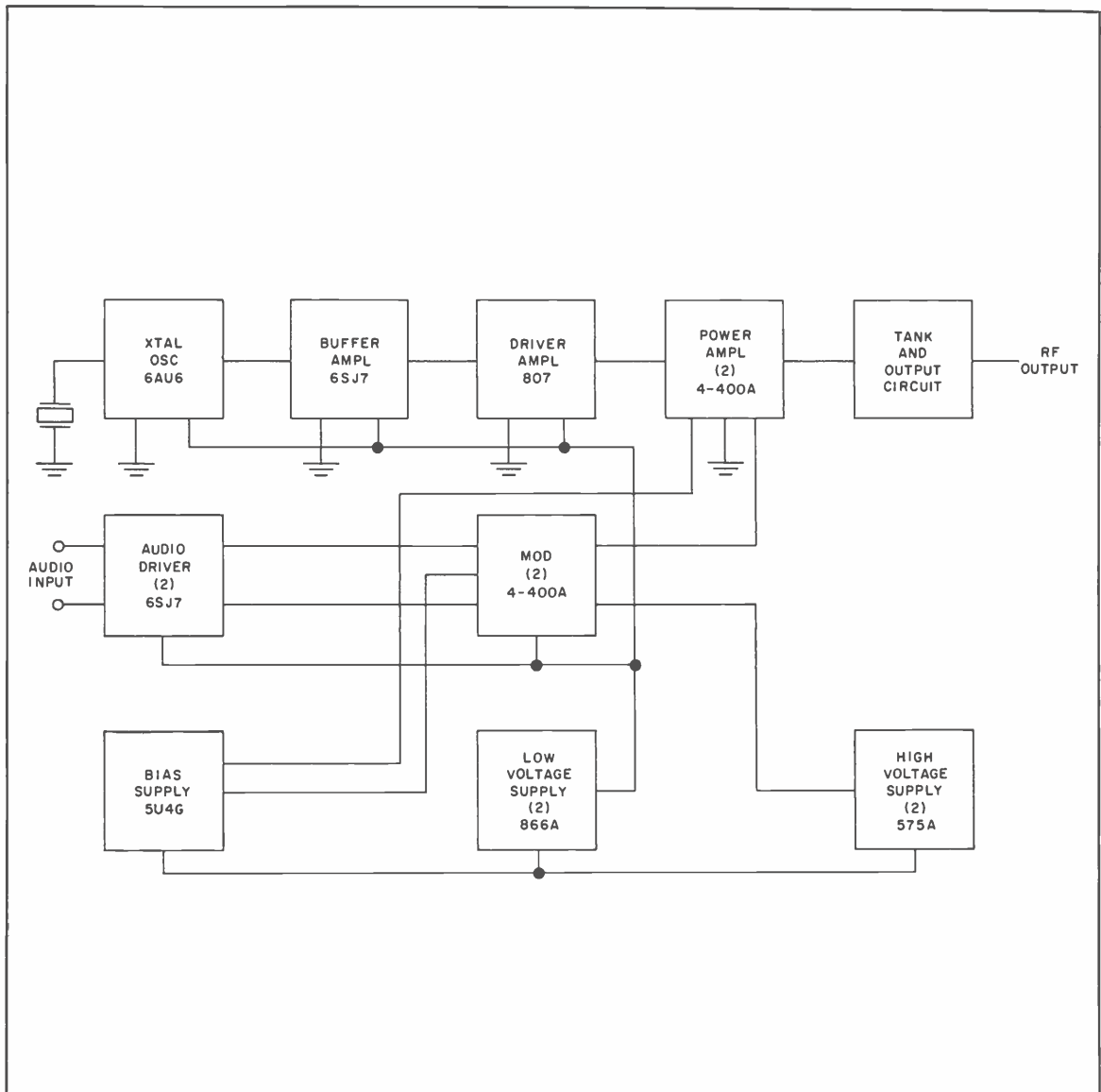
RF Output Impedance: 50-70 ohms unbalanced. Others, including balanced, available on order.

Audio Input Impedance: 150/600 ohms balanced.

Audio Input Level: +10 dbm. ± 2 db.

Power Source: 208-240 v ac, single phase 50/60 cps.





BLOCK DIAGRAM 20V-3

Power Demand (at 1,000 watts output) :

Filaments	660 watts	85% pf
0% modulation	2,950 watts	80% pf
30% modulation	3,250 watts	83% pf
100% modulation	4,150 watts	83% pf

Ambient Temperature Range: +15°C to +45°C.

Size: 38" W, 76" H, 27" D (96.52 cm W, 103.04 cm H, 68.58 cm D).

Weight: Approx. 1,295 lbs (587.41 kg).

Tube Complement:

4	4-400A	2 — Final Amplifier
1	807	2 — Modulator
3	6SJ7	Driver Amplifier
1	6AU6	1 — Buffer Amplifier
2	575A	2 — Audio Amplifier
2	866A	Crystal Oscillator
1	5U4G	High Voltage Rectifier
		Low Voltage Rectifier
		Bias Rectifier

Part No. 522 2480

Includes one set of tubes, one crystal and one instruction book.

No Part Number

Complete set of spare tubes.

No Part Number

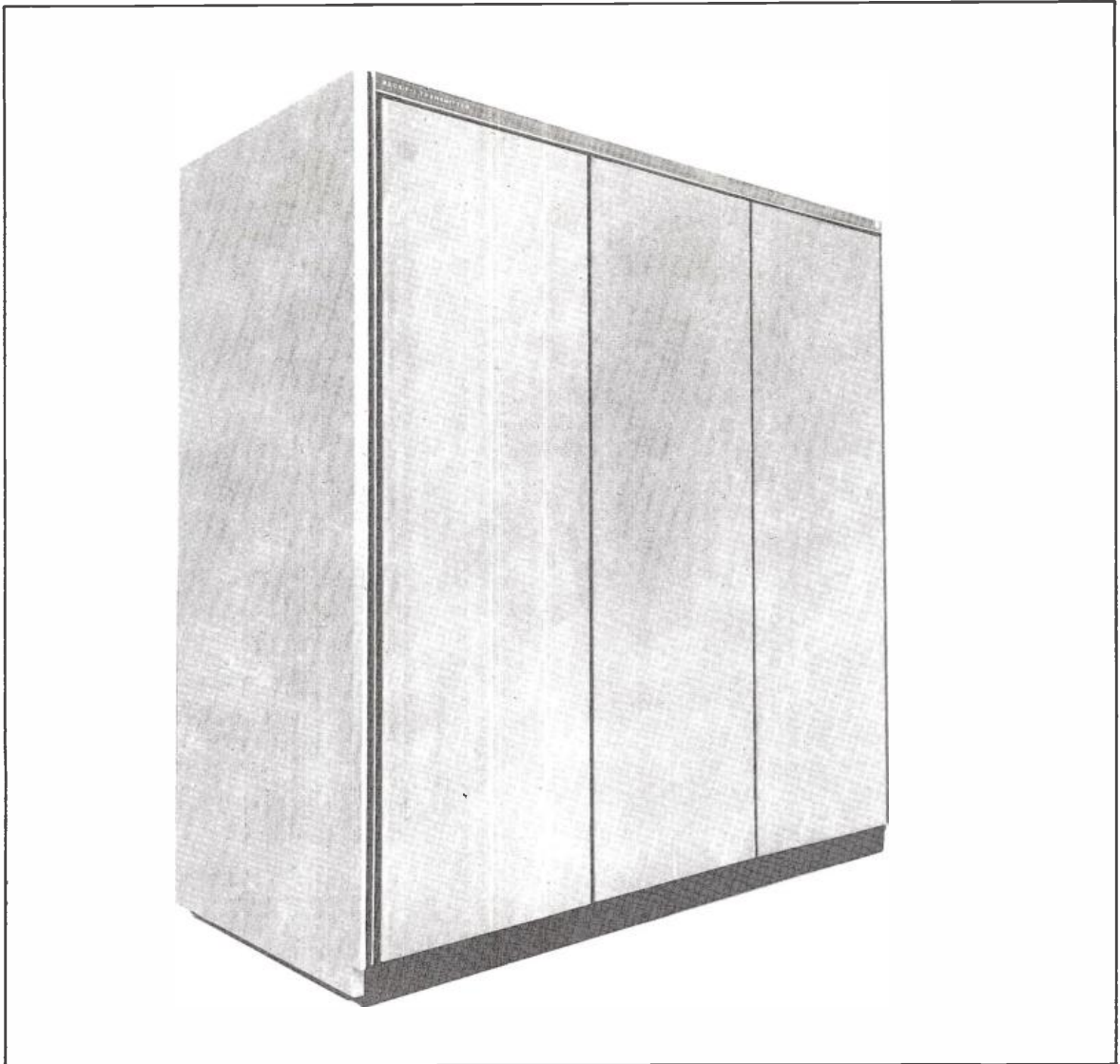
FCC set of spare tubes.

No Part Number

Factory short wave conversion, 1.6 mc-12 mc.

No Part Number

Spare crystal for 20V and 550A transmitters.



COLLINS 820E/F-1 5/10 KW AM TRANSMITTER

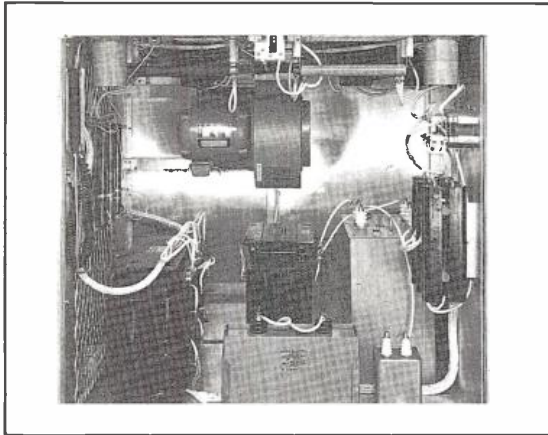
It's the most extensively transistorized transmitter in the 5-10 kw power range. It features solid state devices in the low-level audio and driver, the power supply circuits and the r-f exciter.

This new exciter has a highly stable ovenless crystal operating in the 2.1 to 4.3 mc range, with division to standard broadcast frequency by thin-film components.

The 10 kw model, shown above, uses six tetrode vacuum tubes in the r-f driver, power amplifier and modulator circuits, but requires only two tube types. The 5 kw model uses one less tube in final r-f amplifier.

Tuning of Collins' new 820E/F-1 is automatic. A phase-comparator circuit in the power amplifier stage automatically controls the PA tuning as loading is adjusted. Since the tuning capacitor is at a higher network impedance point and since it requires less padding capacitance than the loading capacitor, tuning correction is fast enough to take place well within the time required for loading changes.

Collins designed this new transmitter for easy, space-saving installation, as well as extended reliability. It measures just 69" high x 67-7/16" wide and 32" deep. All power supply components are completely self-contained.

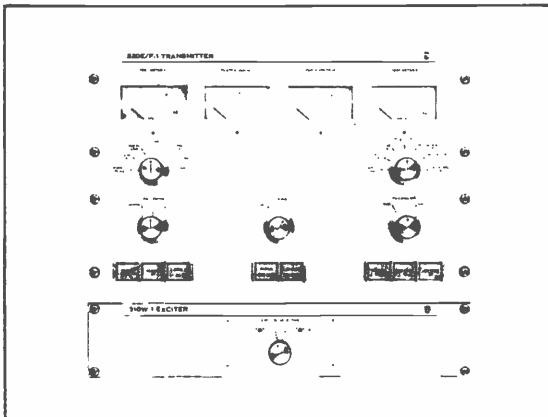


HIGH VOLTAGE POWER SUPPLY AND MAIN BLOWER

For attended operation such as a combination station, all metering and control of the transmitter is accomplished from a separate extended control panel, which requires no remote control authorization. All meters, controls and status indicators necessary for monitoring performance of the transmitter are housed at the extended control panel. When operating rules permit completely unattended operation without transmitter log, the 820E/F-1 will be immediately adaptable to that concept without rebuilding or modification. It is truly the transmitter for both the present and the future.

EXTENDED CONTROL PANEL:

The transmitter is suitable for installation at an unattended site, and may be remotely controlled from a distant studio location in the conventional manner. As a convenience for attended operation and maintenance, all meters, operating controls, and status indications are grouped on a 12 1/4" x 19" extended control panel supplied with 50 feet of multiconductor shielded cable for connection to the transmitter. All controls necessary for normal operation of the transmitter can be made from the extended control panel.



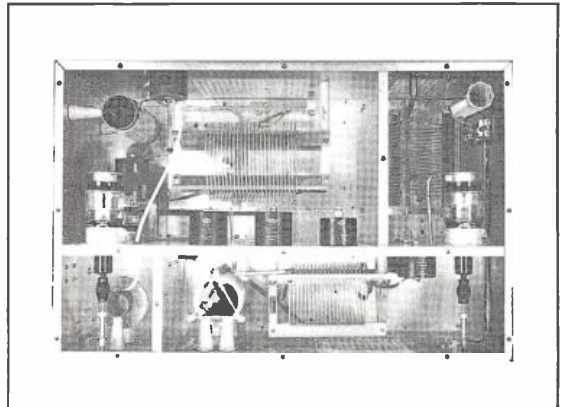
EXTENDED CONTROL PANEL AND CRYSTAL OSCILLATOR EXCITER

R-F EXCITER

An all solid state unit, the type 310W-1 exciter offers increased frequency stability through operation of the oscillator at two or four times the output frequency. Division to standard broadcast frequencies is obtained by digital circuitry employing thin-film components. The exciter is normally located externally to the transmitter and supplies drive through a coaxial cable. Fifty feet of interconnecting cable is furnished with the exciter, but the unit may be located up to 250 feet from the transmitter if desired.

R-F DRIVER

The r-f driver uses two 6146B tubes in parallel, operating Class C. Tuned-grid, tuned-plate circuits are used, with the frequency monitor sample derived from the plate tank coil. Driver modulation is not employed except for the partial modulation which occurs due to changes in the PA grid impedance over the audio cycle.



OUTPUT NETWORK COMPARTMENT

OUTPUT NETWORK

Conventional low-pass L-sections transform the 50 ohm nominal output impedance to 1,000 ohms plate impedance for the 10 kw transmitter, and to 2,000 ohms for the 5 kw version.

The combined network consists of three series inductances and three shunt capacitances, plus a second harmonic shunt trap to ground. Over-all phase shift through the networks is -360°, giving a favorable plate impedance characteristic when operating into loads within the EIA limit for "normal" loads.

Motor-driven variable vacuum capacitors are provided in the PA tuning and loading positions—controllable from switches on the extended control panel. PA loading is used to adjust transmitter power output and is normally extended to the remote point in remotely controlled installations.

A phase-comparator circuit is used in the PA stage to automatically control the PA tuning motor as loading is adjusted. Since the tuning capacitor is at a higher network impedance point and requires less padding capacitance than does the loading capacitor, tuning correction will

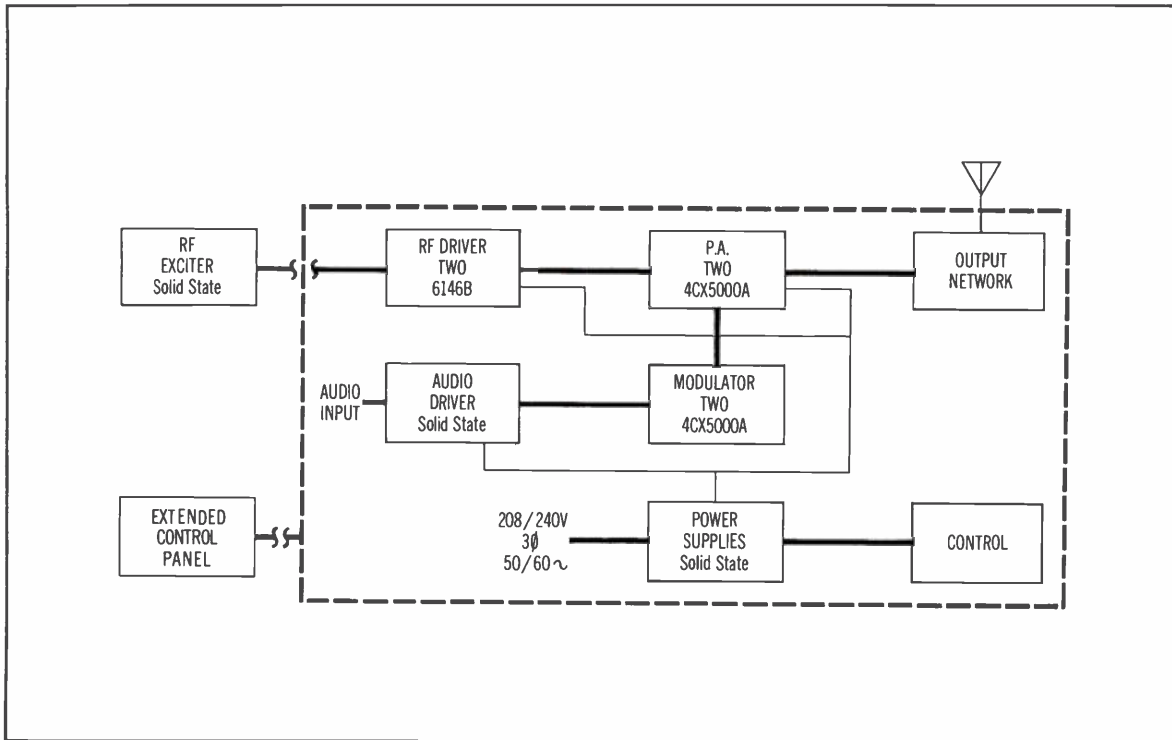
occur at a more rapid rate, and within the time required for loading changes. The tuning function is not normally extended to the remote control point, and to assure fail-safe operation, the automatic tuning adjustment is disabled until loading changes take place. A Manual/Automatic Tuning switch is provided on the extended control panel to disable the automatic mode during maintenance checks.

TECHNICAL CHARACTERISTICS

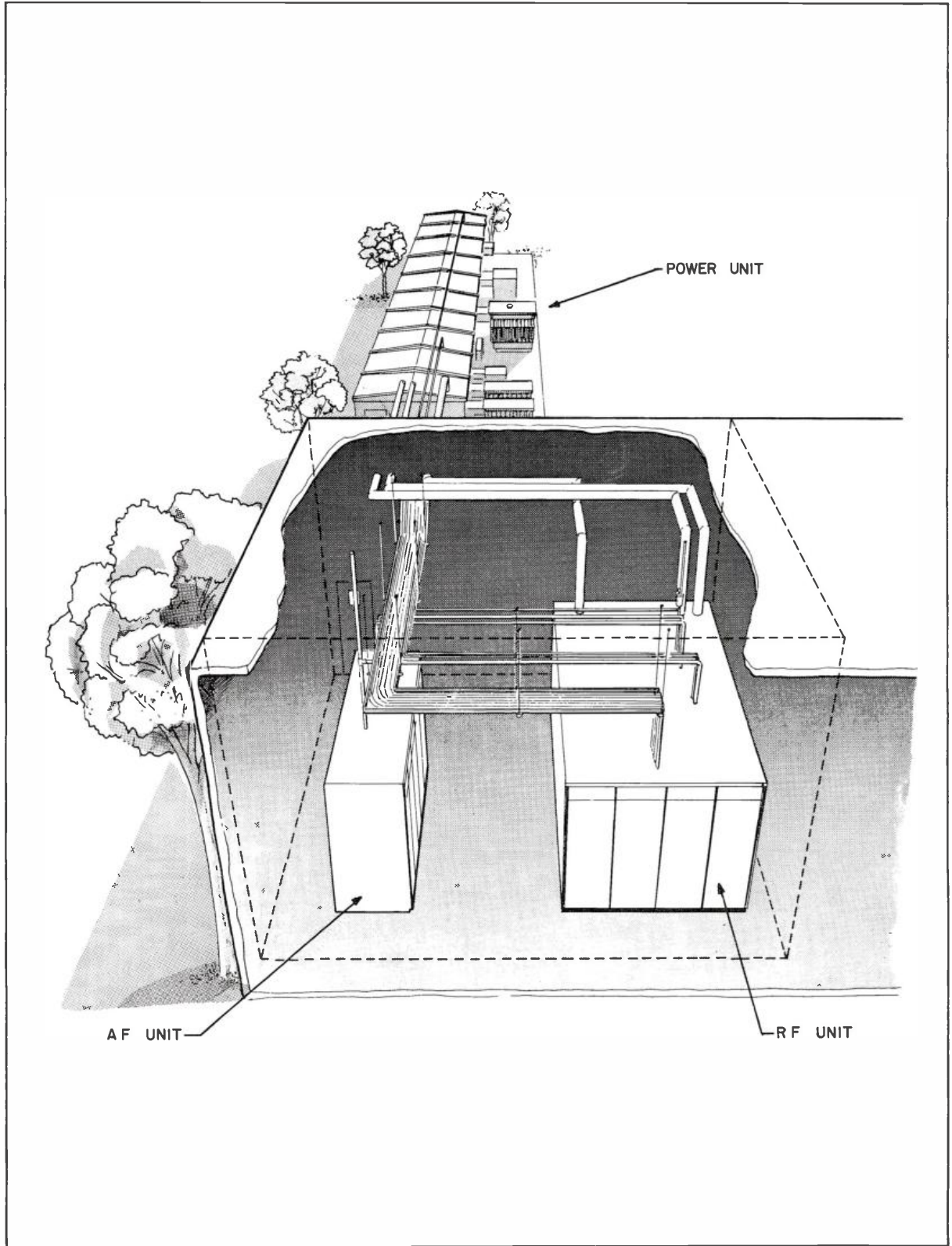
- Frequency Range:* 540 to 1600 kc
- Power Output:* 820E-1 5500 watts (1100 watts reduced power). 820F-1 10,600 watts (5500 watts reduced power).
- Frequency Stability:*
 - ±5 cps, 0° to +35°C (+32° to +95°F)
 - ±10 cps, -10° to +45°C (+14° to +203°F)
 - ±20 cps, -25° to +45°C (-13° to +113°F)
- Output Impedance:* 50 ohms, unbalanced.
- Audio Input Impedance:* 150/600 ohms, balanced.
- Audio Input Level:* +10 dbm ±2 db.
- Audio Frequency Response:*
 - ±1 db, 100 to 7500 cps
 - ±2 db, 50 to 10,000 cps
- Audio Harmonic Distortion:* Less than 3%, 50 to 7500 cps.

- Carrier Shift:* Less than 3%, 0 to 100% modulation.
- Residual Noise Level:* 60 db below 100% modulation.
- Modulation Type:* High-level plate.
- Ambient Temperature Range:* -25° to +45°C.
- Ambient Humidity Range:* Up to 95%.
- Altitude Range:* Up to 7000 feet.
- Power Source:* 208/240 volts, 3-phase, 50/60 cps.
- Combined Voltage Variation and Regulation Tolerance:* ±5%.
- Power Requirement at 5500 Watts, 100% Modulation:* 18.5 kw, 0.98 power factor.
- Power Requirement at 10,600 Watts, 100% Modulation:* 32 kw, 0.97 power factor.
- Size:* 69 inches by 67-7/16 inches wide by 32 inches deep (175 cm. × 171 cm. × 81 cm.).
- Total Weight Including Transformers:* 820E-1, 2,000 lbs. (910 Kg.); 820F-1, 2,450 lbs. (1115 Kg.).

- Part No. 522 3291 000 (Type 820E-1)
Includes one set of tubes, one crystal and one instruction book.
- No Part Number
Complete set of spare tubes for 820E-1.
- No Part Number
FCC set of spare tubes for 820E-1.
- Part No. 522 3292 000 (Type 820F-1)
Includes one set of tubes, one crystal and one instruction book.
- No Part Number
Complete set of spare tubes for 820F-1.
- No Part Number
FCC set of spare tubes for 820F-1.
- No Part Number
Spare crystal for 820E/F-1.



BLOCK DIAGRAM 820F-1



ARTIST'S CONCEPTION OF 821A-2

COLLINS 821A-2 POWER AMPLIFIER

The 821A-2 is a 250-kw AM power amplifier designed for high frequency broadcast and communication service. Any frequency in the 3.95- to 26.5-mc band is tuned within 20 seconds. Direct digital control and monitoring of the amplifier is accomplished by the CCCS (Communication, Computation and Control System) multiplex control system. Through this multiplex control system a station processor (digital computer and associated peripheral devices) transmits control commands such as turn-on, turn-off, frequency change, etc., to the power amplifier and to other equipment in the station complex such as exciters, rf and af switching matrices, test equipment, etc. Monitor information such as fault indications, current and voltage values is returned to the station processor over the multiplex control system. Thus, the processor can automatically control and monitor the station complex as well as display the operational status of all equipment. The power amplifier is also provided with complete fault, overload, and tune-cycle protection independent of the control/monitor processor.

The 821A-2 consists of four major free-standing sub-units, which are completely factory assembled and tested. The major sub-units (rf, af, power, and cooling) require little disassembly for shipping. This feature results in rapid on-site reassembly and minimizes installation costs. All interconnections between sub-units are overhead. Less than 400 square feet (37 square meters) including access

area of indoor floor space is required. An outdoor metal-clad fully enclosed power unit provides component protection, personnel safety protection, and access for servicing the primary power distribution, high-voltage power supply, and oil-filled modulation components.

Solid-state circuitry is used on both the rf and af amplifier chains to the maximum feasible level. Tetrodes provide all remaining power amplification. All power supplies utilize silicon solid-state devices. Filament voltages are regulated within 1 percent for long tube life. Over-all efficiency of the power amplifier is 55 percent.

The need for rf spectrum conservation was a major consideration in the selection of the bandpass output network. Rf cross modulation output below the carrier frequency is reduced by the bandpass network to a degree comparable to spurious radiation reduction above the carrier. Fixed-tuned TVI filters suppress radiation of spurious above the 3.95- to 26.5-mc band.

Thirty-seven plug-in modules are used in the power amplifier. Twenty-six of these modules are interchangeable with at least one other module within the power amplifier. This modular concept results in the rapid replacement of a faulted module as well as a convenient method of spare parts storage. The modules, common to 10 hf and mf power amplifiers, are produced by an automated planar process to insure consistent high quality as well as quick factory response for replacement of spare parts.

SPECIFICATIONS

Electrical

RF Input: 100 mw, 50 ohms.

RF Output: 250 kw into 75 ohms unbalanced, or 300 ohms balanced with vswr of 2:1 maximum.

Emission: AM (A3), FSK (F1), AM/FSK multiplex.

Harmonics: 80 db below carrier.

Frequency Range: 3.95 mc to 26.5 mc

Frequency Stability: Same as exciter.

Tuning Time: 20 seconds maximum.

Audio Input: -2 to +12 dbm, 600/150 ohms, balanced or unbalanced.

Response: 100 to 7500 cps; ± 1 db of 1000 cps. 50 to 10,000 cps; ± 2 db of 1000 cps. 5% max overshoot or droop on the flat-top of a 100-cps sine wave clipped 9 db.

Distortion: 100 to 5000 cps; 4% max. 50 to 7500 cps; 5% max.

Carrier Shift: Less than 5% exclusive of power-source regulation.

Hum and Noise: 50 db below 100% modulation.

Primary Power Disconnect: 250 mva short circuit interrupting capacity.

Environmental

Temperature: Indoor: +1° to +50°C at sea level; +1° to +30°C at 10,000 ft. Outdoor: -35° to ± 50 °C at sea level; -30° to +30°C at 10,000 ft. 50°C linearly derated to 30°C from 0 to 10,000 ft.

Relative Humidity: 0 to 95%.

Altitude: 0 to 6000 ft.: 250-kw carrier output; 6000 to 10,000 ft.: 200-kw carrier output.

Power

Primary Source Option: 3-phase, 4160 volts, to 13.8 kv, 50 or 60 cps.

Duty Cycle: Continuous 100% sine-wave modulation.

<i>Primary Power Input:</i>	KW	Eff.
Standby	41	—
Carrier	452	55
95% Sine Modulation	662	55

Auxiliary Sources: Convenience outlets and cabinet lighting; 115 volts, single-phase, 15 amp. No-break power: -48 volts dc, 7 amp.

JOHNSON FEED-THROUGH BOWL INSULATORS

Designed to carry RF transmission line through a wall. Assembly includes glass bowls, cork gasket, steel mounting with six 3/16" mounting holes. Bowl is 6 15/16" max. diameter and 4 3/8" high. Mounting flange: 7 3/4" diameter. Fittings include spun aluminum corona shield, 1/2"-13 threaded stud except 135-15-4 which has 5/18"-18 threaded stud (hollow), washers, and nuts.

- Part No. 097 1501 000 (Type 135-15-1)
One bowl and fittings, 10 1/4" stud.
- Part No. 097 6673 000 (Type 135-15-3)
Two bowls and fittings, 16" stud for walls up to 4" thick.
- Part No. 099 1170 000 (Type 135-15-4)
Two bowls and fittings, 24" hollow stud I.D. 7/16" for walls up to 12" thick.
- Part No. 097 5646 000 (Type 135-15-7)
Two bowls and fittings, 24" stud for walls up to 12" thick.

COLLINS 172G DUMMY ANTENNA

This air-cooled unit provides a load to dissipate transmitter output for off-the-air testing. Consisting of 8 ferrule type, non-inductive resistors, with insulated end brackets and clips, it may be mounted on the transmitter or adjacent wall. The 172G-1 has an impedance of 52 ohms; the 172G-2, 73 ohms.

Power Rating: 1 kw.
Size: Approx. 6" W, 9" H, 12 1/2" D (15.24 cm W, 22.86 cm H, 31.75 cm D).
Weight: 5 lbs. (2.27 kg).

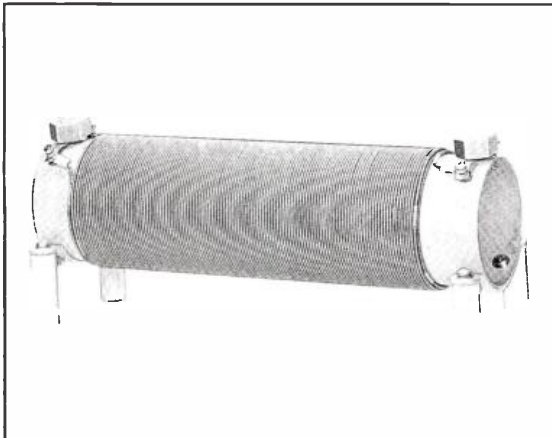
- Part No. 522 1410 004 (Type 172G-1)
- Part No. 522 1411 014 (Type 172G-2)

STATES WG-52 DUMMY ANTENNA

An air-cooled dummy load to dissipate output of the Collins 21E AM Transmitter. The WG-52 has an impedance of 52 ohms and a peak of 7.5 kw.

Part No. 097 8138 00

COLLINS TOWER LIGHTING FILTER CHOKES

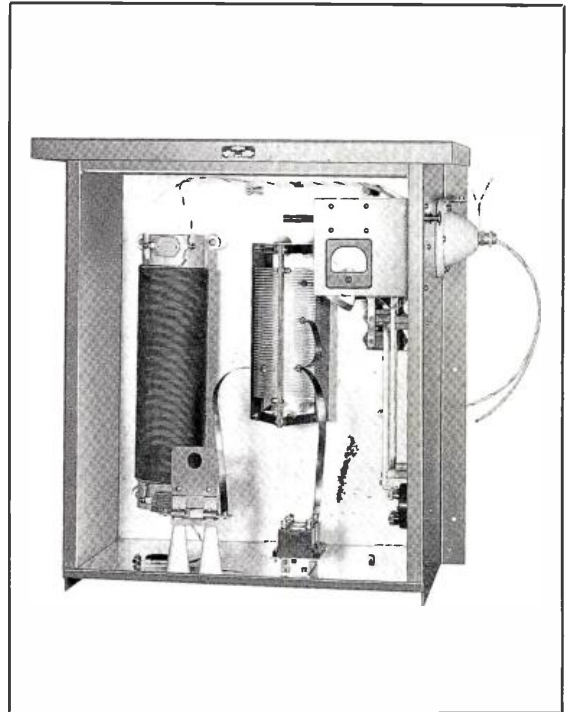


These solenoid wound 2- and 3-wire chokes provide high impedance throughout the broadcast band for isolation of the ac power lines from the antenna. Coils are wound of #10 wire and are rated at 2,000 watts, 120

v ac, single phase. Provided with mounting brackets and standoff insulators for mounting in 42E-7/8 antenna coupling units.

- Part No. 543 3927
Unhoused, 2-wire, 2,000 watts.
- Part No. 543 3926
Unhoused, 3-wire, 2,000 watts.

COLLINS 42E ANTENNA COUPLING UNITS



These specially constructed units match a series-fed vertical radiator to an unbalanced transmission line. Intended for continuous, unattended duty in conjunction with transmitters having emission type A0, A1, A2 or A3, the 42E-7 operates with transmitters of carrier power output of 250-1,000 watts. The 42E-8A operates with transmitters of 5,000 watts and the 42E-8B operates with transmitters of 10,000 watts.

The electrical circuit of the 42E Antenna Coupling Units is a low-pass "T" network with good harmonic attenuating properties. A three-wire or two-wire tower lighting filter choke and remote antenna current sampling transformer may be mounted in the cabinet, and an antenna current meter and line current meter jack are provided.

A horn gap furnishes lightning protection. The antenna connection is made by an insulated feed-through bushing on the side of the cabinet and the bushing has a hollow stud for the lightning circuit. The transmission line comes through the base of the cabinet. Gray weatherproof aluminum housing. Remote antenna current metering kit and antenna current transformer

for remote reading of antenna current up to 25 amps available for all Collins AM Transmitters.

Size: 42E-7—29" W, 28" H, 18" D (73.66 cm W, 71.12 cm H, 45.72 cm D).

Weight: 64 lbs. (29.03 kg).

Size: 42E-8A/B—36" W, 28" H, 22" D (91.44 cm W, 71.12 cm H, 55.88 cm D).

Weight: 124 lbs. (56.25 kg).

Part No. 522 1028 (Type 42E-7)

Part No. 522 1029 (Type 42E-8A)

Part No. 522 1029 (Type 42E-8B)

COLLINS REMOTE ANTENNA METERING KIT

The Collins remote antenna current metering kit is designed for the Collins series of AM transmitters. The kit for the 20V-3 includes RF transformer, thermocouple, remote meter and meter mounting bracket. Specify type of tuner, base current of tower, base resistance or complete description of antenna system.

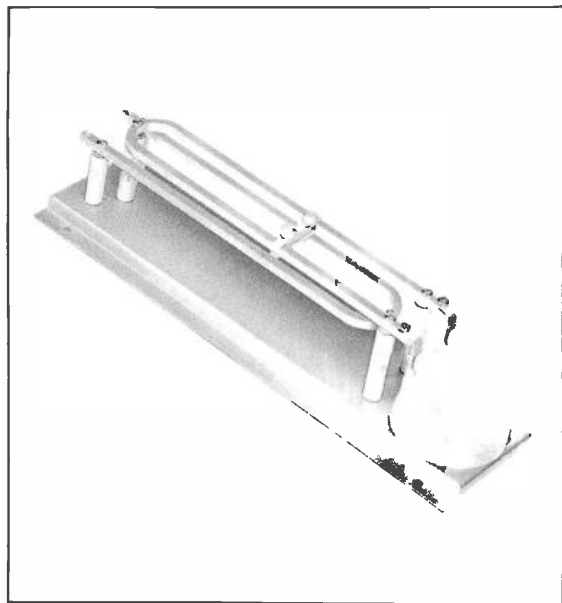
The kit for the 21E and 21M transmitters includes RF transformer and thermocouple. (Remote meter is included in transmitter.) Specify type of tuner, base current of tower, base resistance or complete description of antenna system.

No Part Number
For 20V-3 Transmitters.

No Part Number
For 20V-3 Transmitters. Same as above but with expanded scale and matching thermocouple.

No Part Number
For 21E/M Transmitters.

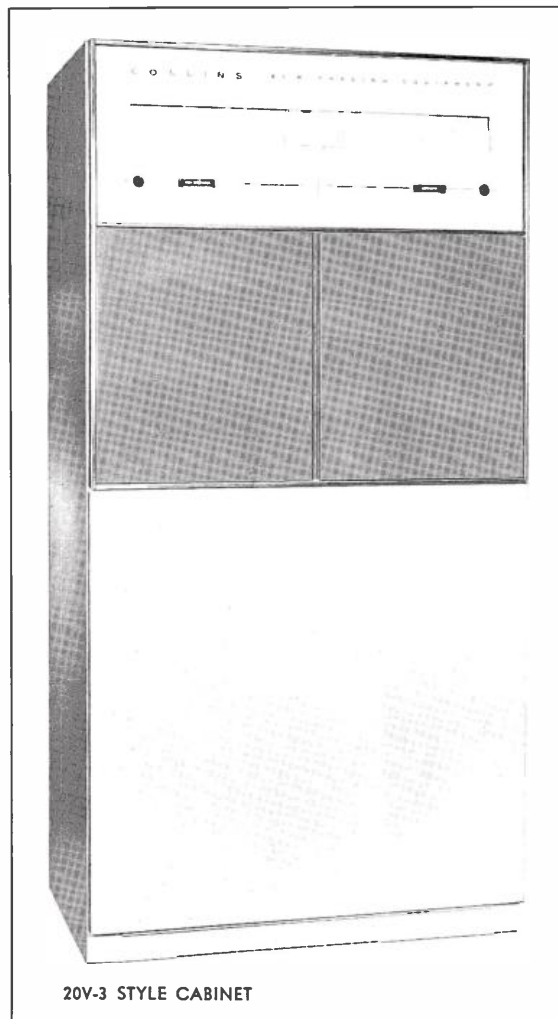
COLLINS ANTENNA CURRENT TRANSFORMER



Used with remote thermocouple and meter for remote monitoring of antenna current. For currents up to 25 amps. Thermocouple not included.

Part No. 543 3917

PHASING



20V-3 STYLE CABINET

COLLINS 81M PHASOR

Collins Radio Company maintains a research and development staff which devotes its full efforts to custom design and manufacture of phasing and tuning equipment that will meet critical operating parameters with a minimum of maintenance and adjustment. By instituting its own design and construction, Collins can offer fastest possible delivery, maintain its famous standard of quality and sell at the lowest possible cost.

Engineered into each installation are easily-adjusted networks, highest stability, adequate voltage and current safety factors and maximum economy. A customer's requirements, as specified by his consulting engineer, are strictly adhered to and designs are submitted for approval before construction is started.

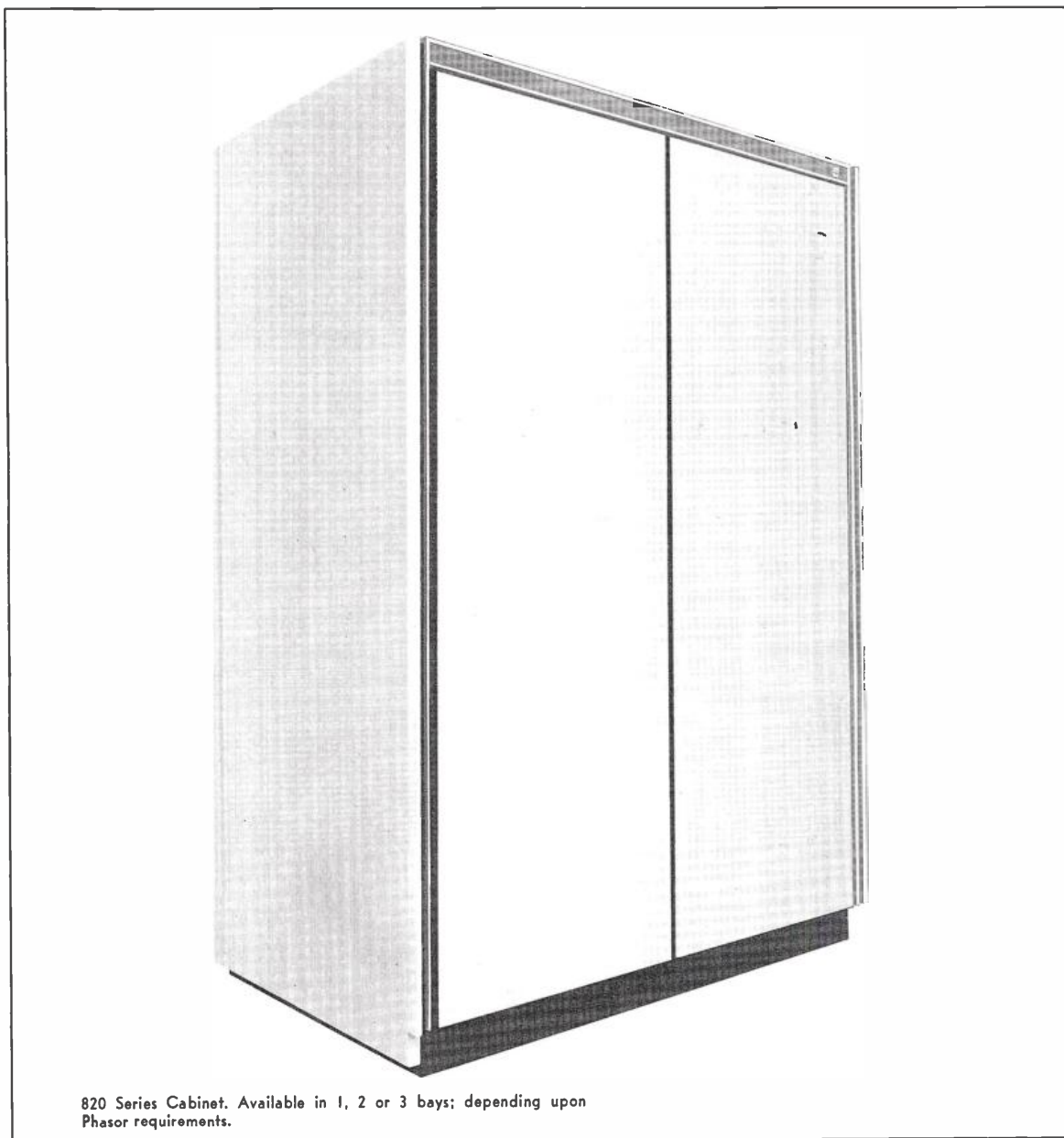
After the consulting engineer has made channel studies for an available frequency, he will design an array to fit the location, frequency and other requirements. He will

determine the pattern shape and size in both the vertical and horizontal planes, the maximum expected operating values of fields in both the nulls (minimum signal areas) and the lobes (maximum signal areas), the proper size, shape, height, spacing, and orientation of the antenna towers, and the phase relationships and amplitude ratios of the radiation fields of the individual antennas. This information is then submitted to the FCC with the application for a construction permit.

A Collins 81M directional antenna phasing and branching system consists of: a branching circuit in which the

power is divided in precisely the amounts of power necessary to give the proper ratio of fields from the individual antennas; an impedance matching circuit to match the power divider input impedance to the common point impedance at which the power input is measured; phase shifting networks in series with each of the transmission lines going to the individual antenna towers; the transmission lines themselves; and the impedance matching network between each of the transmission lines and its associated antenna tower.

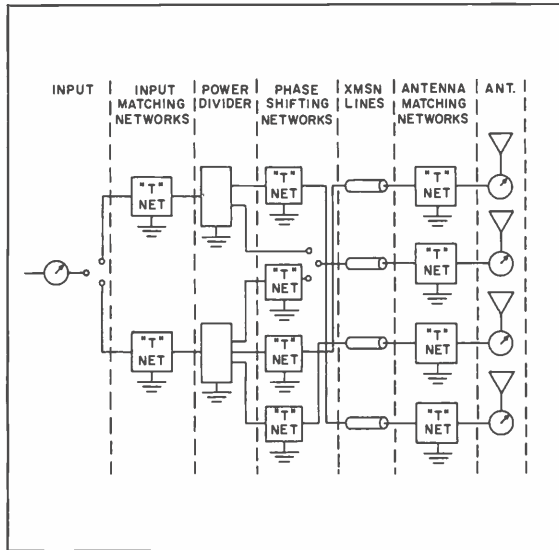
The power divider in Collins 81M equipment is usually



820 Series Cabinet. Available in 1, 2 or 3 bays; depending upon Phasor requirements.

a resonant tank circuit consisting of a large fixed coil tapped with smaller variable coils for power adjustment. An alternate design uses a group of variable coils, each one feeding a tower; this group then becomes the tank coil of the circuit.

For 1 kw or lower, the capacitive arm of the tank circuit is a capacitor and variable coil connected in series. The variable coil provides tuning adjustment by varying the over-all negative reactance in this branch of the tank. In higher powers, the tank capacitance is usually a variable vacuum capacitor in parallel with one or more fixed capacitors.



TYPICAL PHASING SYSTEM

Phase shifting networks are "T" designed, with variable coils mechanically connected in tandem for the series arms and a coil and capacitor in series for a shunt arm. Wherever possible, 90° networks — capable of being adjusted ±30° from the design value — are supplied.

Wherever a phase shift network is not required, a series variable coil and capacitor are used to supply variation of ±20° around a 0° setting. They are used for trimming phase shift of current in the towers in which they are used.

"T" networks are also used for impedance matching at the tower base. The network has sufficient latitude of adjustment to match the transmission line impedance to any expected base operating impedance and still permit adjustment of phase shift.

Switching of circuits for day and night operation or directional and non-directional operation is accomplished by impulse-type, toggle-operated RF relays, energized by pushbutton switches on the front panel. The pushbutton automatically removes the plate voltage of the transmitter before pattern switching and restores it when switching is completed. Interlocks on the cabinet doors also remove the plate voltage when doors are opened.

Amplitude and phase controls have counters to assure accurate resetability. In complex arrays requiring additional controls, the controls and counters are behind the tilt-out panel in the lower half of the cabinet.

Power dividing circuits and phase shift networks utilize heavy edge-wound copper ribbon inductors and ceramic cased mica capacitors. Vacuum capacitors are used where made necessary by high circulating currents.

Plated 5/16" copper tubing is used for all RF busses and insulation is steatite or Mycalex.

Input and output connections are provided at the top of the phasing cabinet unless otherwise specified. Special terminations are provided for solid dielectric cables in both the phasing cabinet and antenna coupling units.

An input common point RF ammeter is supplied along with line current meter jacks. Antenna current meters have make-before-break switches, which can be operated without opening the cabinet door on the weatherproof coupling units.

SPECIFICATIONS

Power: 1, 5 and 10 kw in 2-, 3-, 4-, 5-, and 6-tower arrays.

Patterns: Directional day and night, same pattern; directional nighttime only; or different pattern day and night.

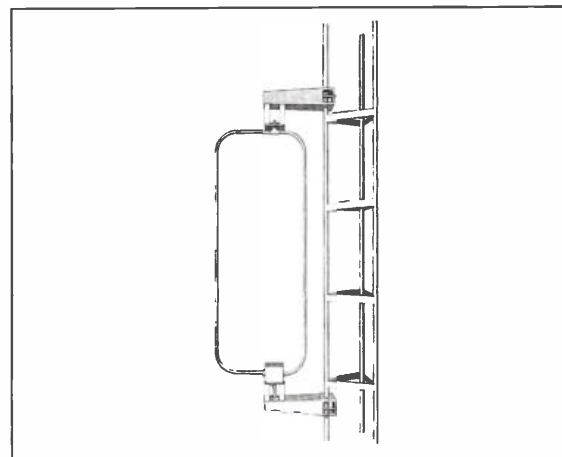
Size: 20V-3 style cabinets measure 38" W, 76" H, 27" D (96.52 cm W, 193.04 cm H, 68.58 cm D) complex phasing systems may require two cabinets each identical to the above measurements. 820E/F style cabinets are available in 3 sizes to fit the complexity of the system.

25 7/16" W, 69" H, 32" D (64.59 cm W, 175.26 cm H, 81.28 cm D)

47 7/16" W, 69" H, 32" D (120.47 cm W, 175.26 cm H, 81.28 cm D)

67 7/16" W, 69" H, 32" D (171.27 cm W, 175.26 cm H, 81.28 cm D)

COLLINS 564A-1 PHASE SAMPLING LOOP



Designed to sample the relative phase relationship of radio frequency energy from 550-1600 kc antenna towers in directional antenna arrays, the Collins 564A-1 is made of two loops of #10 copper wire which may be connected either in series or in parallel. The wires are contained within a loop of 7/8" painted, copper tubing which serves as an electrostatic shield.

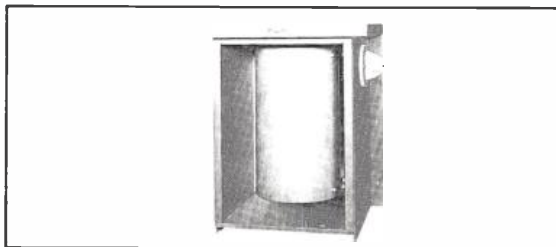
A universal coupling permits the loop to be connected to any type of pressurized or unpressurized air or solid dielectric transmission line. The loop offers a good match to lines of 50-75 ohms impedance. A universal mounting bracket allows the loops to be mounted on any part of the antenna structure.

Size: Approx. 30" W, 7' 6" H (76.2 cm W, 228.6 cm H).

Weight: 50 lbs. (22.68 kg).

Part No. 522 1518 004

COLLINS 144A-1 ISOLATION COIL



Coil provides isolation for the sampling line in directional arrays, presenting a high impedance for the line across the base insulator. Unit consists of a phenolic coil form which will accommodate 37 turns (approx. 100 ft.) of RG8/U or similar solid dielectric sampling line. May be mounted on wall of tuning shack or in housing similar to that pictured.

Inductance: Approx. 180 microhenrys.

Size: 10" diameter, 18" L (25.4 cm diameter, 45.72 cm L).

Weight: 6 lbs. (2.7 kg).

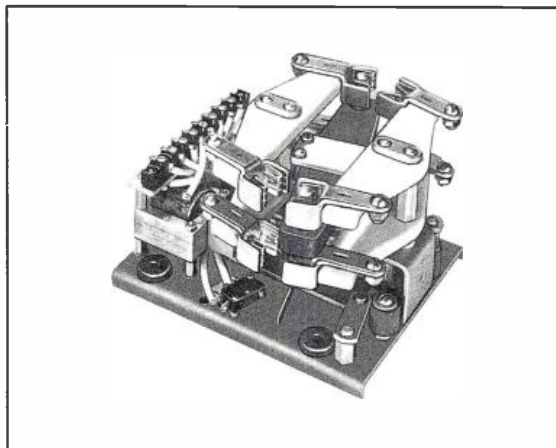
Part No. 522 1520

JOHNSON RF CONTACTORS

The 145-100 and 145-200 contactors are especially designed for high voltage radio frequency switching and dc voltage switching in high voltage rectifier circuits. They require no "holding" power and will operate with a momentary application of voltage.

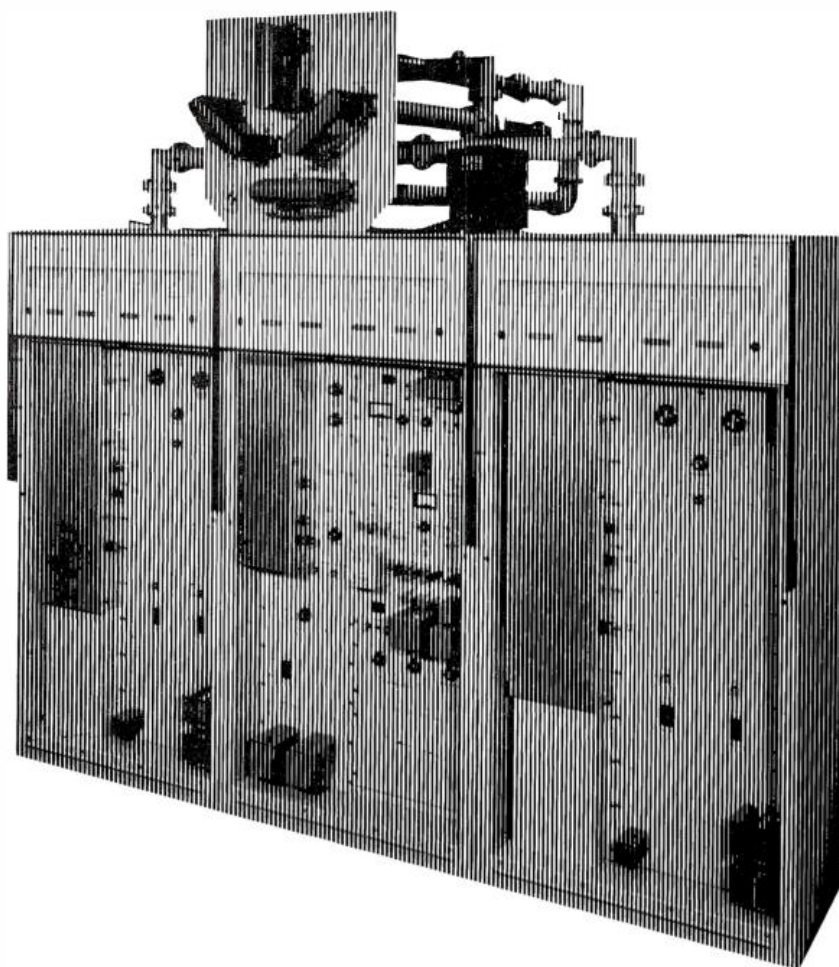
Standard contactors are supplied with four auxiliary switches: two "normally closed" for control of solenoid voltage and two "normally open" for operation of signal lamps or other related functions. Solenoids are wired for 220 v, 50-60 cps or 110 v, 50-60 cps on special order.

Part No. 410 0209 00 (Type 145-101-13)
 Part No. 410 0210 00 (Type 145-102-13)
 Part No. 410 0211 00 (Type 145-201-13)
 Part No. 410 0212 00 (Type 145-202-13)



Type No.	Maximum Current	Contacts	Maximum Contact Rating (at 2 mc)	Size
145-101-13	4 amps	SPDT	17 kv, 25 amps	(20.0 cm W, 13.97 cm H, 16.51 cm D)
145-102-13	4 amps	DPDT	17 kv, 25 amps	(20.0 cm W, 13.97 cm H, 16.51 cm D)
145-201-13	8 amps	SPDT	22 kv, 25 amps	(26.67 cm W, 15.88 cm H, 20.96 cm D)
145-202-13	8 amps	DPDT	22 kv, 25 amps	(26.67 cm W, 15.88 cm H, 20.96 cm D)

FM Transmitters



WHAT'S THE MYSTERY ABOUT STEREO?

The mystery of stereophonic FM broadcasting is wiped away with the straightforward Collins approach. Not only does Collins equipment faithfully reproduce "live" sound in both direction and dimension, it also assures the stereo broadcaster a stable system of transmission. The Collins method of composite signal generation does away with the costly and unstable equipment needed in conventional double-injection system of stereo broadcasting.

Amplitude differences result from the directional characteristics of the human ear and the baffle effect produced by the head. The time differences result from the difference in path length to each ear from a sound source which is off to one side.

To provide a realistic stereo effect, the time delay and amplitude differences between the signal received by the left and right ears must be maintained from the original sound source to the ear of the listener. The problem becomes one of maintaining amplitude and phase differences to provide adequate channel separation.

Left and right channels must have proper *balance* to give the listener faithful reproduction of a live presentation. If the source of sound moves to the left on the program stage, the left channel's volume must increase and the right channel's volume decrease proportionately to convey accurately the change of direction of the sound source.

Adequate channel separation — at least 30 db — must be maintained. Lack of adequate *separation* would permit "bleeding" of one channel's sound into the other, thus moving the sound source to an apparent center from the listener's point of view.

Finally, *compatibility* is required. The transmitted stereo signal must be capable of being received not only by the stereo FM receiver, but by existing monaural receivers as well.

To comply with FCC requirements, a signal which can be received by monaural receivers must be transmitted. This signal is the combination of the left and right channels, or L+R. To achieve stereo broadcasting, a subcarrier FM signal provides the vehicle for the third dimensional sound. This is the L-R channel.

The Collins 786M-1 FM Stereo Multiplex Generator achieves this L-R signal by a mathematical system of

time division. More of this later. Basically, then, the stereo FM receiver gets two signals, an L+R and an L-R. To feed the left channel and the receiver's left speaker, the receiver adds the L+R and L-R signals and derives 2L. The same process by subtraction yields 2R in the right speaker. Since the figure 2 represents a volume control setting, the receiver in effect recovers the L and R sound originally produced at the left and right microphones on the program stage.

Returning to the time division principle, it is this factor which makes the Collins Stereo Generator a standout unit in operation and maintenance. In the conventional stereo generation system, two channels are required to feed L+R and L-R to the exciter. This technique, known as matrixing, requires gain and phase shift between the two channels be maintained within close tolerances to maintain adequate channel separation throughout the system.

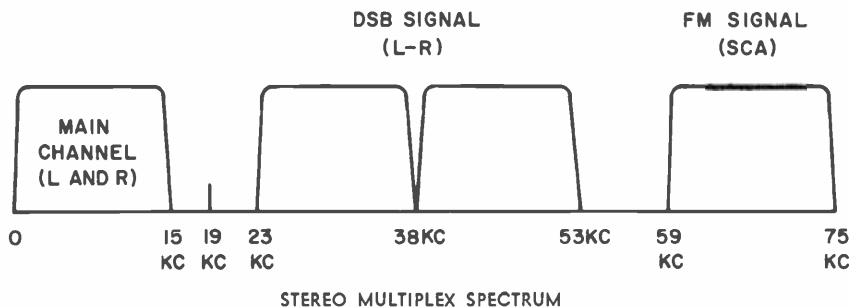
Collins' new approach eliminates the need for continual surveillance of time delay shifting between the two channels by eliminating the double-injection system entirely.

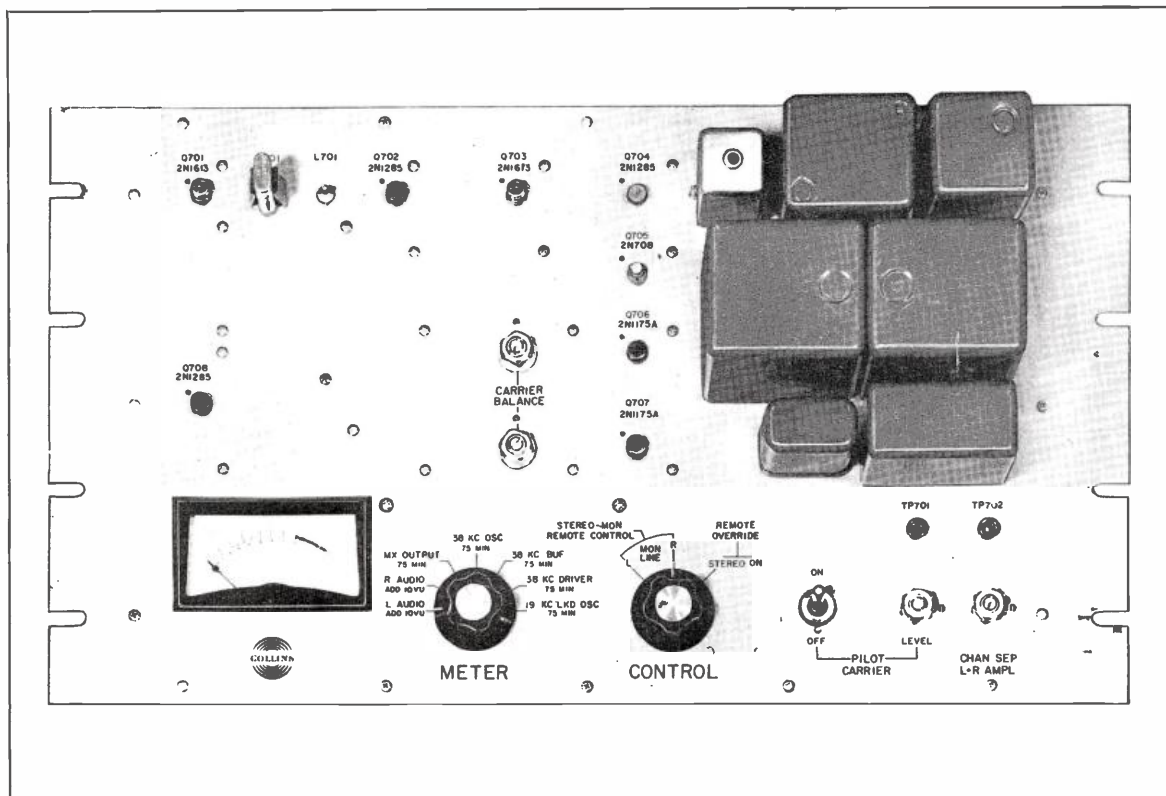
Instead, the direct FM wide band exciter is fed a *single, composite signal on one wire*. Any shift in gain or phase will affect both channels equally, thus maintaining the 35 db channel separation. Not only does this assure the broadcaster an inherently stable method of stereo transmission, but greatly simplifies both operation and maintenance.

The rather expensive matrix networks needed in the dual channel system are eliminated as are the time delay switches needed to match the channels when a shift in gain or phase occurs.

The Collins time division system of stereo signal generation is nothing more than a sampling at a 38 kc rate of left and right audio inputs. The output from the switch is equivalent to L+R plus the L-R double sideband components centered on the switching frequency (38 kc) and its odd harmonics.

The composite wide band spectrum accepted by the exciter would include the L+R signal, a 10% 19 kc pilot carrier inserted for phasing reference, the L-R DSB components centered on the 38 kc subcarrier, and the 67 kc SCA channel when an auxiliary SCA generator is installed.





786M-1 FM STEREO MULTIPLEX GENERATOR

A stable and reliable method of stereophonic FM broadcasting is now available through the new time division system where both stereo channels are integrated into a composite signal which is fed to a wide band exciter (Collins A830-2) on a single line.

The Collins 786M-1 FM Stereo Multiplex Generator does away with the inherent instability of the conventional dual channel method of stereo injection.

Instead, the Collins 786M-1 feeds monaural audio and the subchannel, required for stereo operation, to the exciter on a single, composite signal. The time division system eliminates the costly and unstable dual channels which require matrix networks. L+R and L-R outputs of the matrix networks must be compensated to make up time differences in the two channels. Also, accurate amplitude balance between the two channels must be maintained. In the Collins system, this problem is eliminated by using a wide band direct FM exciter. With a system of this type, any gain changes or time delays will affect the main and sub-channels equally.

The Collins time division system is nothing more than a sampling at a 38 kc rate of the left and right audio inputs. After transmission, a corresponding component in the FM receiver demodulates the composite signal in

synchronism with the sampling, converting it to left and right audio through the respective speakers.

The composite stereo signal (L + R and L - R) is achieved by filtering out unwanted harmonics created in the function of the four-diode time division switching circuit. The resulting spectrum shows only the main channel (L + R) which is the monaural signal; a 10% 19 kc pilot carrier; the subchannel (L - R) which is the stereo signal on a 38 kc carrier. An SCA channel may be placed on a 67 kc carrier by addition of an auxiliary SCA generator.

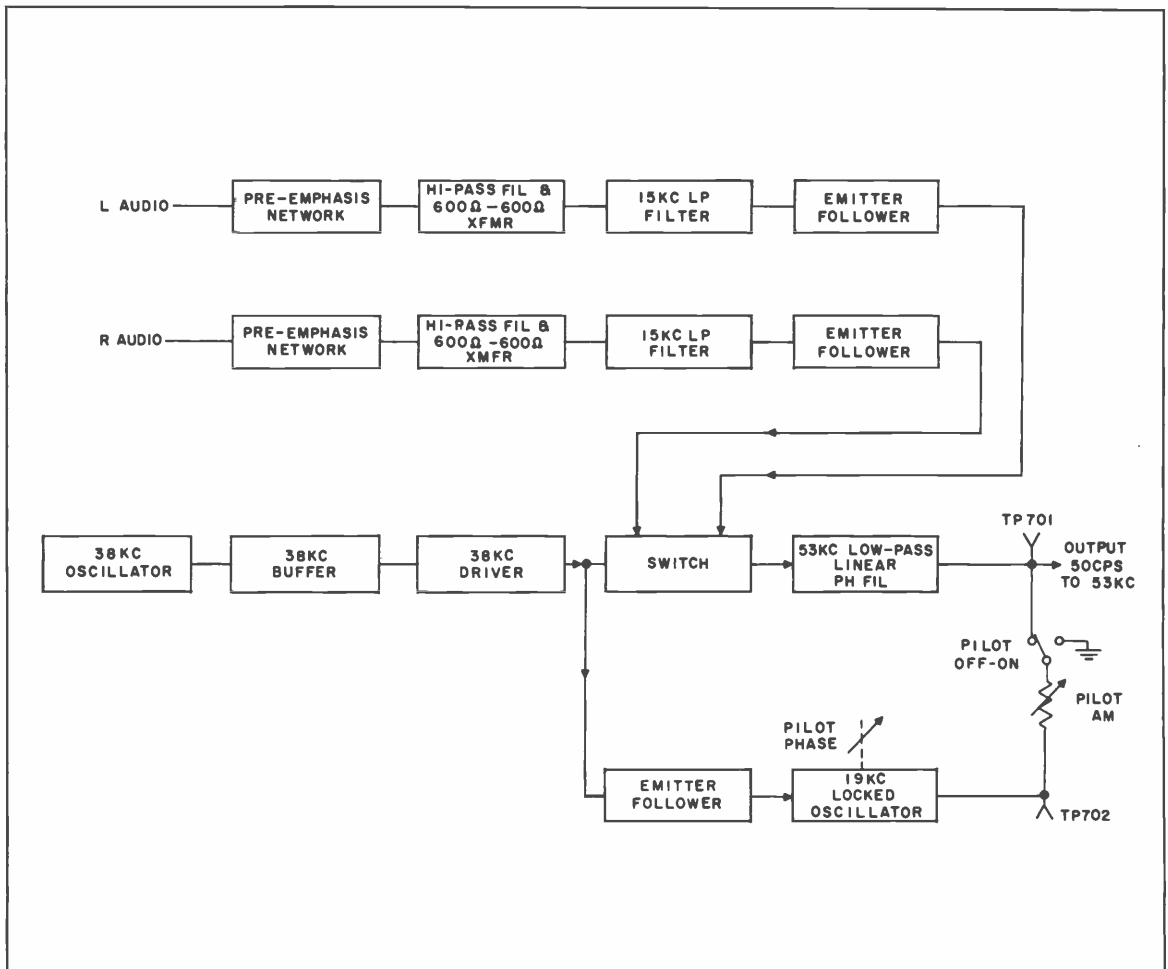
Features of the 786M-1 are:

SIMPLE CIRCUITS — The single line, time division system eliminates matrixing components, greatly simplifying circuitry.

STABLE — All components are temperature-compensated to provide long-term stability. The unit is completely transistorized.

SELF-METERED — An audio VU meter monitors both audio inputs and interior circuit points for rapid maintenance.

EASILY INSTALLED — The Collins 786M-1 may be installed in the 830B-1A, 830D-1A or 830E-1A FM, 830F-1A, 830F-2A, 830H-1A, 830N-1A.



BLOCK DIAGRAM 786M-1

Pre-emphasis networks are plug-in type; can be replaced with 20 db flat pad for testing. *Hi-pass filter and 600 ohm-600 ohm transformers* prevent interference with exciter AFC circuits by any 5 cps components in input. Transformers convert from balanced to unbalanced inputs. *15 kc low pass filters* limit bandwidth to 15 kc to prevent cross-talk between main and sub-channels. Filters provide over 60 db attenuation for frequencies above 19 kc. *Emitter followers* provide isolation between left and right audio inputs and stereo switch. *38 kc oscillator, buffer and driver* provide 38 kc drive signal to the stereo switch. When 38 kc carrier goes positive, upper pair of diodes in *switch* conduct and connect left channel to output; when carrier goes negative, lower pair of diodes connect right channel to output. L+R correction is obtained by feeding left and right signals around switch through two resistors. *The 53 kc low pass linear phase filter* removes high frequency switching components which would fall outside the assigned bandwidth. The

filter meets the requirement of constant time delay for all frequencies up to 53 kc. Main channel audio and sub-channel DSB crossings thus occur simultaneously. The filter also has flat frequency response to 53 kc. These two factors are held to tolerances which provide over 35 db channel separation for 50-15,000 cps audio input frequencies rising to 38 db at 5 kc. *The emitter follower and 19 kc locked oscillator* provide a 19 kc pilot carrier in phase with the 38 kc subcarrier at the output of the linear phase filter.

Distortion (either channel): Less than 1%, 50-15,000 cps.

Channel Separation: 35 db or greater, rising to 38 db at approx. 5 kc.

Pilot Carrier Stability: ± 2 cps at 19,000 cps.

Output Impedance: 600 ohms unbalanced.

Size: 19" W, 8 $\frac{3}{4}$ " H, 3 $\frac{1}{8}$ " D.

Weight: 14 lbs.

Part No. 522 2914 00



COLLINS 830B-1A FM TRANSMITTER

Designed for top reliability and superior quality sound, the Collins 830B-1A 250 Watt FM Transmitter not only affords the broadcaster an economical, self-contained unit, but also is readily adaptable to a variety of uses, including stereophonic FM and increased station power.

Clean, sharp lines plus "humanized" engineering for both operation and maintenance make the Collins 830B-1A an attractive, integrated unit in the most modern broadcast station.

Other quality features of the Collins 830B-1A which underscore its superior performance include:

SELF-CONTAINED — Transformers for the all solid state power supply as well as the harmonic filter are housed

inside the cabinet. Self-contained multiplexing equipment, including the Collins 786M-1 Stereo Generator, also may be installed inside. Space is provided for power transformers when the unit is used as a driver for the 830E-1A 5,000 Watt Transmitter.

SIMPLE OPERATION — The 830B-1A is pushbutton operated, featuring a "step-start" system in which starting sequences are fully automatic. All RF circuits are tuned from the front panel. Adequate metering is provided for rapid operation analysis. All adjustments can be made while the transmitter is on the air.

DEPENDABLE — The compact transmitter uses space-saving silicon rectifiers which generate a minimum of

heat. Spurious radiation is minimized and the unit has a high degree of stability.

MAINTENANCE EASE — Vertical panel construction eliminates hidden components and allows rapid inspection and maintenance. Cabinet interlocks minimize danger during circuitry inspection and maintenance. A grounded shorting stick is readily accessible to discharge capacitors before transmitter servicing.

RIGID TESTING — In accordance with rigid Collins standards, the 830B-1A is tested on the broadcaster's channel under proper load conditions prior to shipment.

The 830B-1A can meet a variety of power situations. Only the blower motor need be changed to convert from the nominal 60 cycle to 50 cycle operation.

Frequency Range: 88-108 mc.

Power Output: 250 watts.

Carrier Frequency Stability: ± 1000 cps.

Audio Frequency Response: ± 1 db, 50-15,000 cps.

Distortion: Less than 1%, 50-15,000 cps.

FM Noise Level: 65 db below ± 75 kc.

AM Noise Level: -55 db rms.

Harmonic Attenuation: At least -67 db.

Modulation Capability: ± 100 kc.

RF Output Impedance: 50 ohms; SWR not to exceed 2:1.

Audio Input Level: $+10$ dbm, ± 2 db.

Power Source: 230 v ac nominal, 60 cps, 1 phase (tapped for 200-250 v in 10 v steps).

Input Power Requirement: 860 watts, 90% power factor.

Power Line Regulation: 3%.

Variations: Slow line, $\pm 5\%$; rapid line, $\pm 3\%$.

Tube Complement:

2 OD3	1 5763
1 6U8	1 2E26
1 12AT7	1 4CX250B
1 6AU6	

Temperature Range: 15° - 45° C.

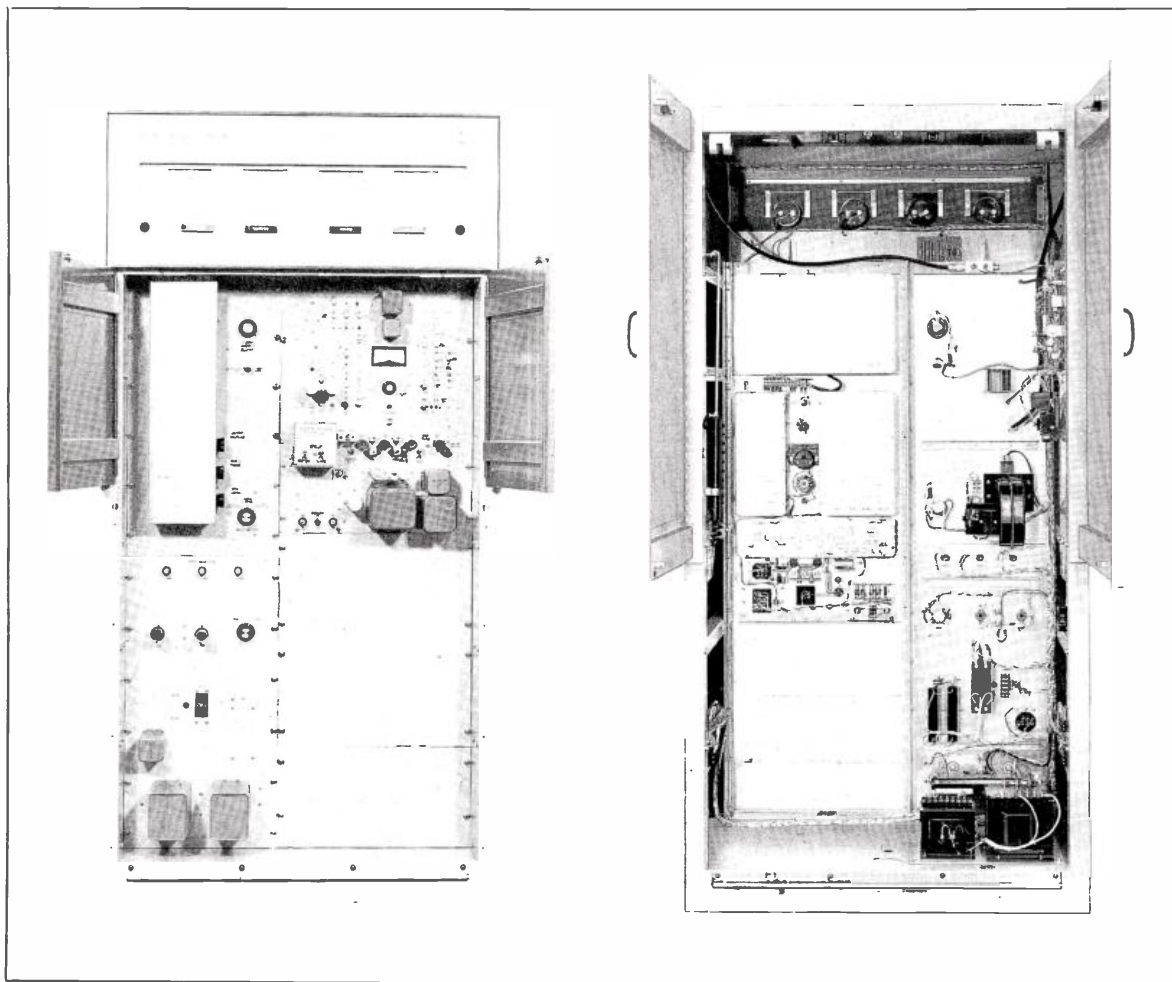
Humidity: 0% - 95%.

Altitude: 6000 ft. (1828.8 m).

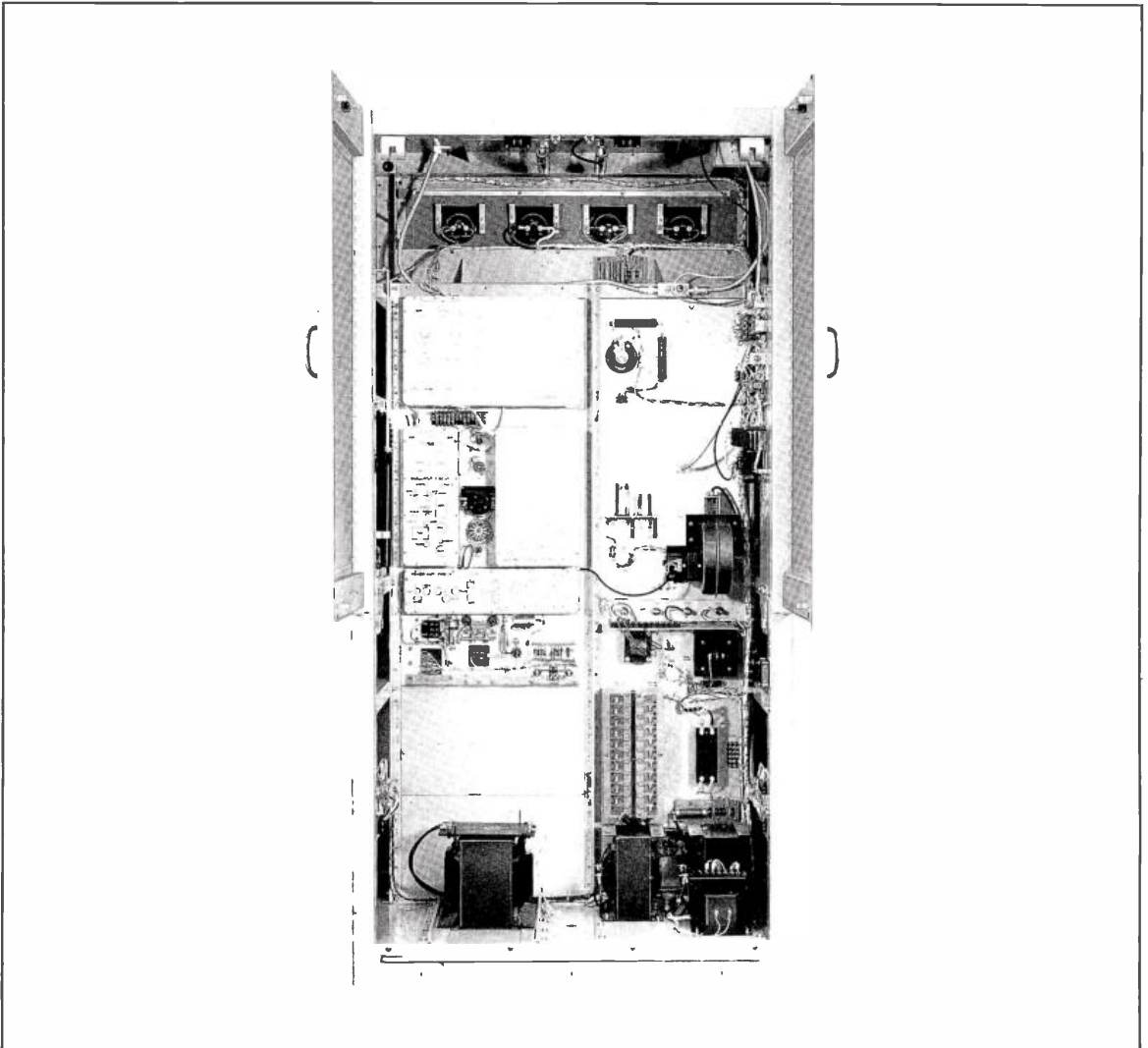
Size: 38" W, 76" H, 27" D (96.52 cm W, 193.04 cm H, 68.58 cm D).

Weight: 638 lbs. (289.4 kg).

Part No. 522 2871



830B-1A FM TRANSMITTER



COLLINS 830D-1A FM TRANSMITTER

Carefully-engineered design, straight-forward circuitry, clean-line cabinetry all make the Collins 830D-1A FM Transmitter a powerful and versatile installation in the most modern station.

The self-contained 1,000 watt unit achieves a new degree of reliability and operational ease never before obtainable by the FM broadcaster.

The new approach A830-2 10 Watt Exciter is the heart of the 830D-1A. This wide band direct FM unit accepts a composite stereo signal directly without using auxiliary modulators for either the stereo or SCA channels.

Operation and maintenance of the Collins 830D-1A is simplicity itself. Fewer components and fewer tuned circuits enhance the dependability and operational ease of the transmitter.

Some of its features are:

SELF-CONTAINED — Transformers for the all solid state power supply as well as the harmonic filter are enclosed in the cabinet. Self-contained multiplexing equipment, including the Collins 786M-1 Stereo Generator, also may be mounted inside.

SIMPLE OPERATION — The 830D-1A is pushbutton operated, featuring a "step-start" system in which starting sequences are fully automatic. All RF circuits are tuned from the front panel. Adequate metering is provided for rapid operational analysis. All adjustments can be made while the transmitter is on the air.

DEPENDABLE — Space-saving silicon rectifiers which generate a minimum of heat are employed. A regulated

filament transformer prolongs tube life. Stability is enhanced through the neutralized final power amplifier. Spurious radiation is held to a minimum; the entire unit has a high degree of stability.

MAINTENANCE EASE — Vertical panel construction eliminates hidden components and allows rapid inspection and maintenance. Cabinet interlocks minimize danger during circuitry inspection and maintenance. A grounded shorting stick is readily accessible to discharge capacitors before transmitter servicing.

RIGID TESTING — In accordance with rigid Collins standards, the 830D-1A is tested on the broadcaster's channel under proper load conditions *before* shipment is made.

The 830D-1A can meet a variety of power situations. Not a single component need be changed to convert from nominal 60 cycle operation to 50 cycle.

Frequency Range: 88-108 mc.

Power Output: 1000 watts.

Carrier Frequency Stability: ± 1000 cps.

Audio Frequency Response: ± 1 db, 50-15,000 cps.

Distortion: Less than 1%, 50-15,000 cps.

FM Noise Level: 65 db below ± 75 kc.

AM Noise Level: -55 db rms.

Harmonic Attenuation: -73 db.

Modulation Capability: ± 100 kc.

RF Output Impedance: 50 ohms; SWR not to exceed 2:1.

Audio Input Level: +10 dbm, ± 2 db.

Power Source: 230 v ac nominal, 50-60 cps, 1 phase (tapped for 200-250 v in 10 v steps).

Input Power Requirement: 2300 watts, 90% power factor.

Power Line Regulation: 3%.

Variations: Slow line, $\pm 5\%$, rapid line, $\pm 3\%$.

Tube Complement:

1 6U8	1 5763
1 12AT7	1 2E26
1 6AU6	1 4CX1000A

Temperature Range: 15° - 45°C.

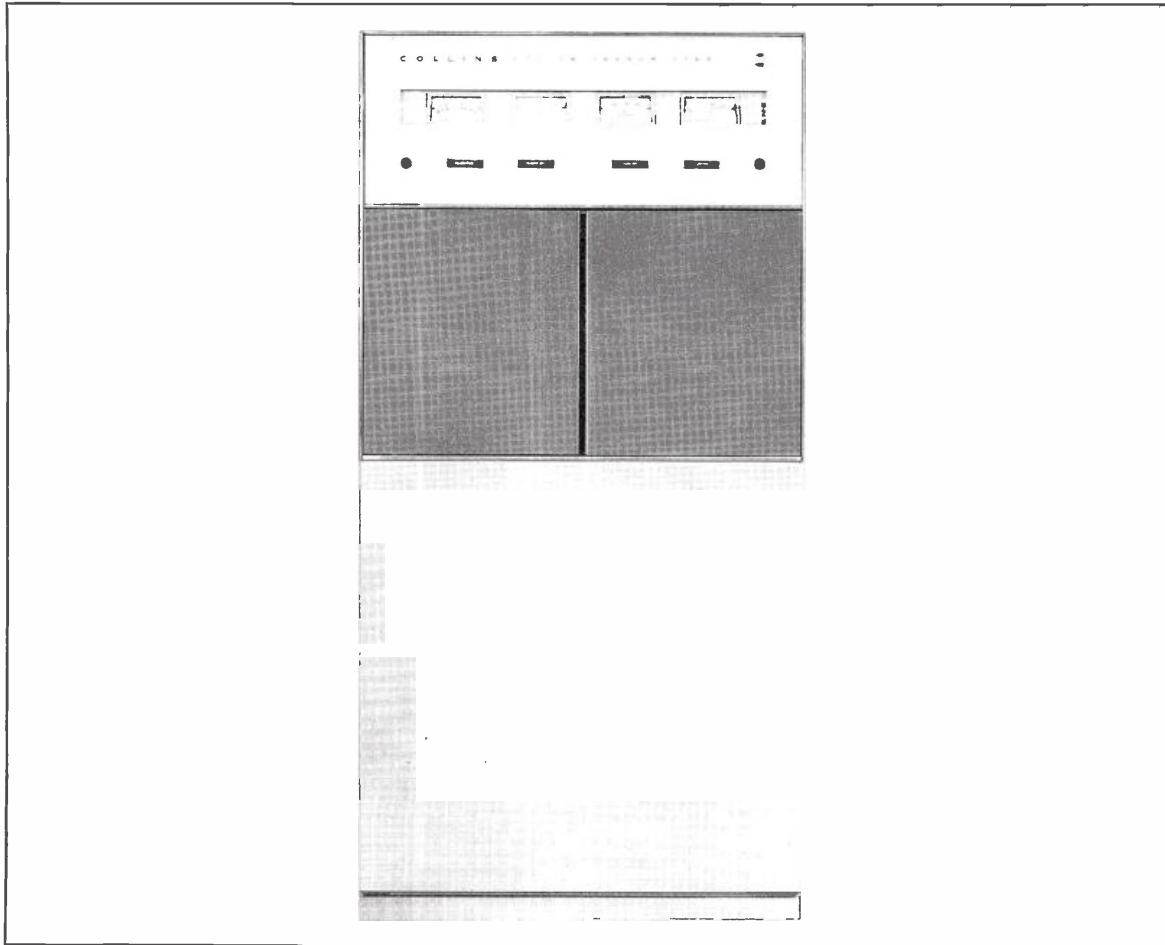
Humidity: 0% - 95%.

Altitude: 6000 ft. (1828.8 m).

Size: 38" W, 76" H, 27" D (96.52 cm W, 193.04 cm H, 68.58 cm D).

Weight: 776 lbs. (351.99 kg).

Part No. 522 2969



830D-1A FM TRANSMITTER



COLLINS 830E-1A 5,000 WATT FM TRANSMITTER

Award-winning design and "humanized" engineering, hallmarks of Collins quality, are reflected in the Collins 830E-1A 5,000 Watt FM Transmitter.

One cabinet houses the A830-2 Direct FM Exciter and the 250 watt B830-1 Driver Unit; the other houses the 5,000 watt, single stage transmitter.

Features of the Collins 830E-1A are:

SELF-CONTAINED—Every component is housed inside the two cabinets, including power transformers, harmonic filter and directional coupler. An optional accessory is the Collins 786M-1 Stereo Generator which fits inside the driver unit cabinet. Installation of the 786M-1 is a matter of minutes.

SIMPLE OPERATION—The transmitter is pushbutton operated, featuring a "step-start" system in which starting sequences are fully automatic. Highly stable RF circuits

are tuned and metered from the front panel, and all adjustments can be made while the transmitter is on the air. No tuning or trimming of the harmonic filter is required. The PA stage is easily neutralized and is not critical in adjustment.

DEPENDABLE—Grounded screen, eliminating the screen bypass capacitor, does away with a common source of failure. Driver power supply uses silicon rectifiers which take little space and generate a minimum of heat. Efficient blowers force air directly on the 4CX250B and 4CX5000A power amplifier tubes. Power supply is all solid state with the exception of the final amplifier plate voltage supply which uses mercury vapor rectifiers.

MAINTENANCE EASE—Vertical panel construction eliminates hidden components and allows rapid inspection and maintenance. Cabinet interlocks minimize danger during

circuitry inspection and maintenance. A grounded shorting stick is readily accessible to discharge capacitors before transmitter servicing.

RIGID TESTING — In keeping with rigid Collins standards, the 830E-1A is tested on the broadcaster's channel under proper load conditions *before* the unit is shipped.

While the transmitter nominally operates on 60 cycle power, only the two blower motors need be changed to convert to 50 cycle operation.

Frequency Range: 88-108 mc.

Power Output: 5000 watts.

Carrier Frequency Stability: ± 1000 cps.

Audio Frequency Response: ± 1 db, 50-15,000 cps.

Distortion: Less than 1%, 50-15,000 cps.

FM Noise Level: 65 db below ± 75 kc.

AM Noise Level: -55 db rms.

Harmonic Attenuation: -80 db.

Modulation Capability: ± 100 kc.

RF Output Impedance: 50 ohms; SWR not to exceed 2:1.

Audio Input Level: +10 dbm, ± 2 db.

Power Source: 230 v ac, 60 cps, 3 phase (tapped for 200-250 v in 10 v steps).

Input Power Requirement: 11 kw, 90% power factor.

Power Line Regulation: 3%.

Variations: Slow line, $\pm 5\%$; rapid line, $\pm 3\%$.

Tube Complement:

2 OD3	1 2E26
1 6U8	1 4CX250B
1 12AT7	6 872A*
1 6AU6	1 4CX5000A
1 5763	

Temperature Range: 15° - 45°C.

Humidity: 0% - 95%.

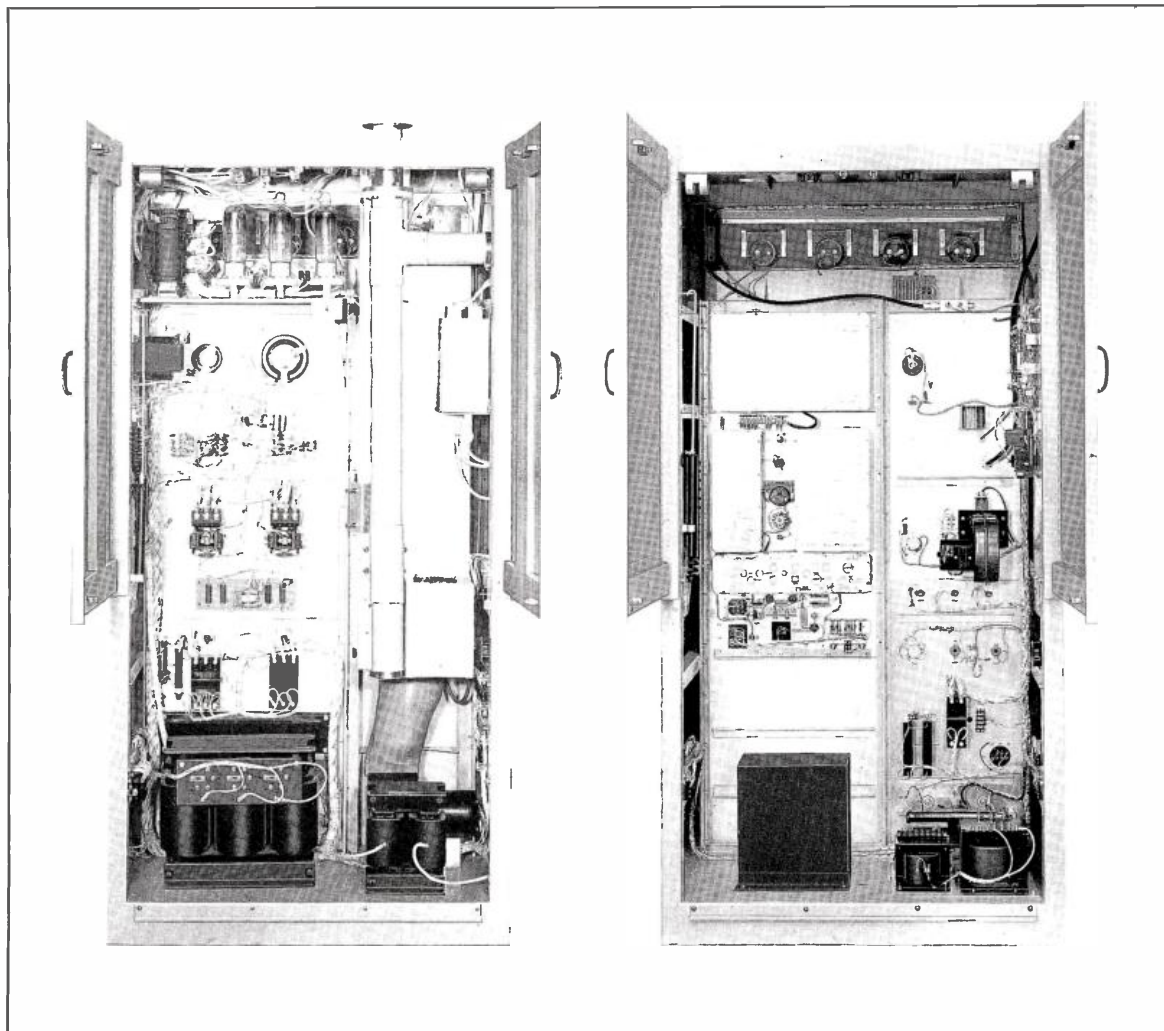
Altitude: 6000 ft. (1828.8 m).

Size: 76" W, 76" H, 27" D (193.04 cm W, 193.04 cm H, 68.58 cm D).

Weight: 1800 lbs. (816.48 kg).

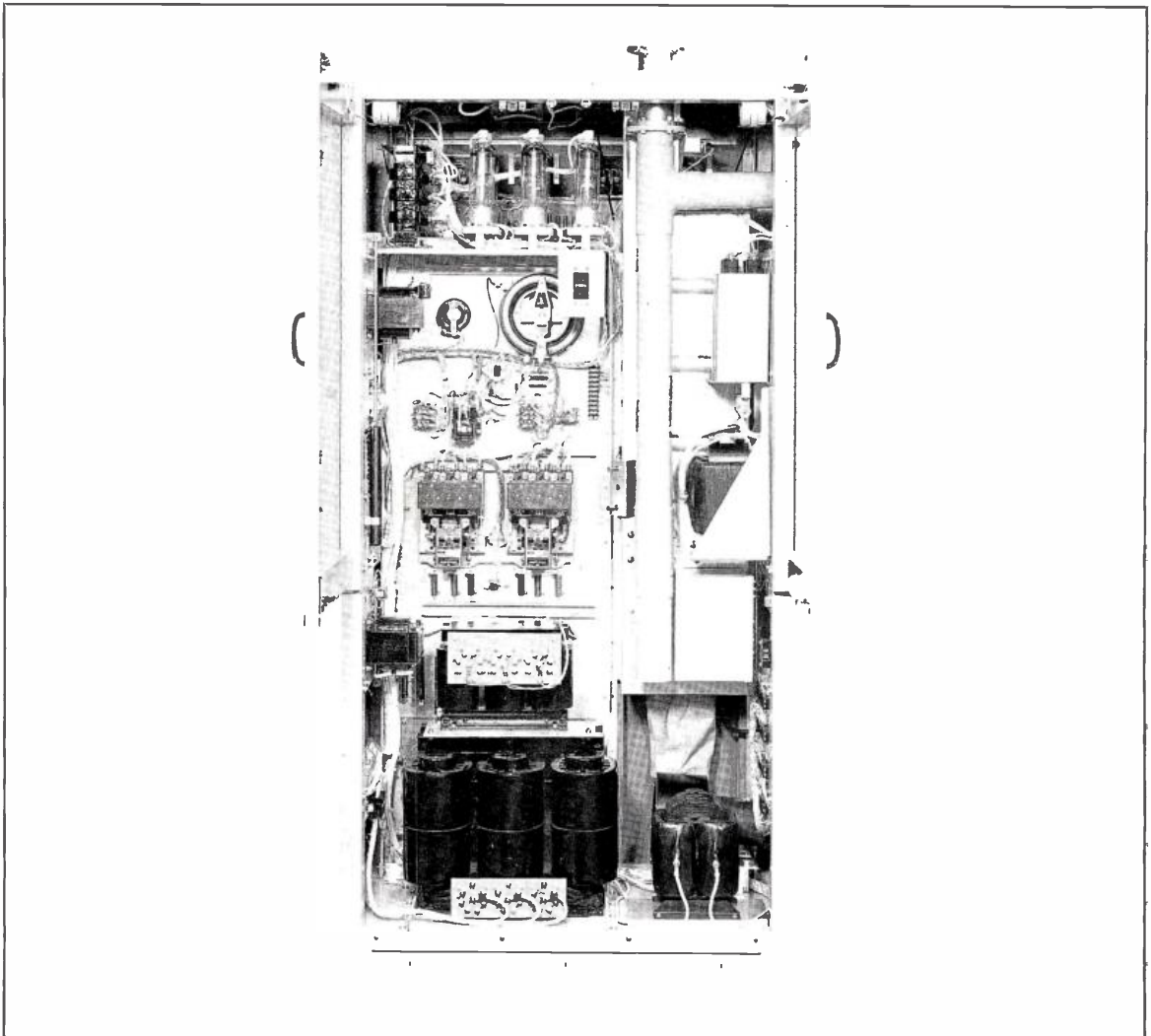
*Not used if silicon diode rectifiers are employed.

Part No. 522 2872



POWER AMPLIFIER REAR VIEW

DRIVER REAR VIEW



POWER AMPLIFIER REAR VIEW

COLLINS 830F-1A/10 KW FM TRANSMITTER

The Collins 830F-1A 10 KW FM Transmitter assures the broadcaster the clean, strong signal he needs to make his programming outstanding in a highly competitive market area and the extended coverage required to build and maintain an audience.

Like all Collins FM transmitters, the two-cabinet 10,000 watt model is carefully engineered and manufactured to a quality level that is a hallmark at Collins.

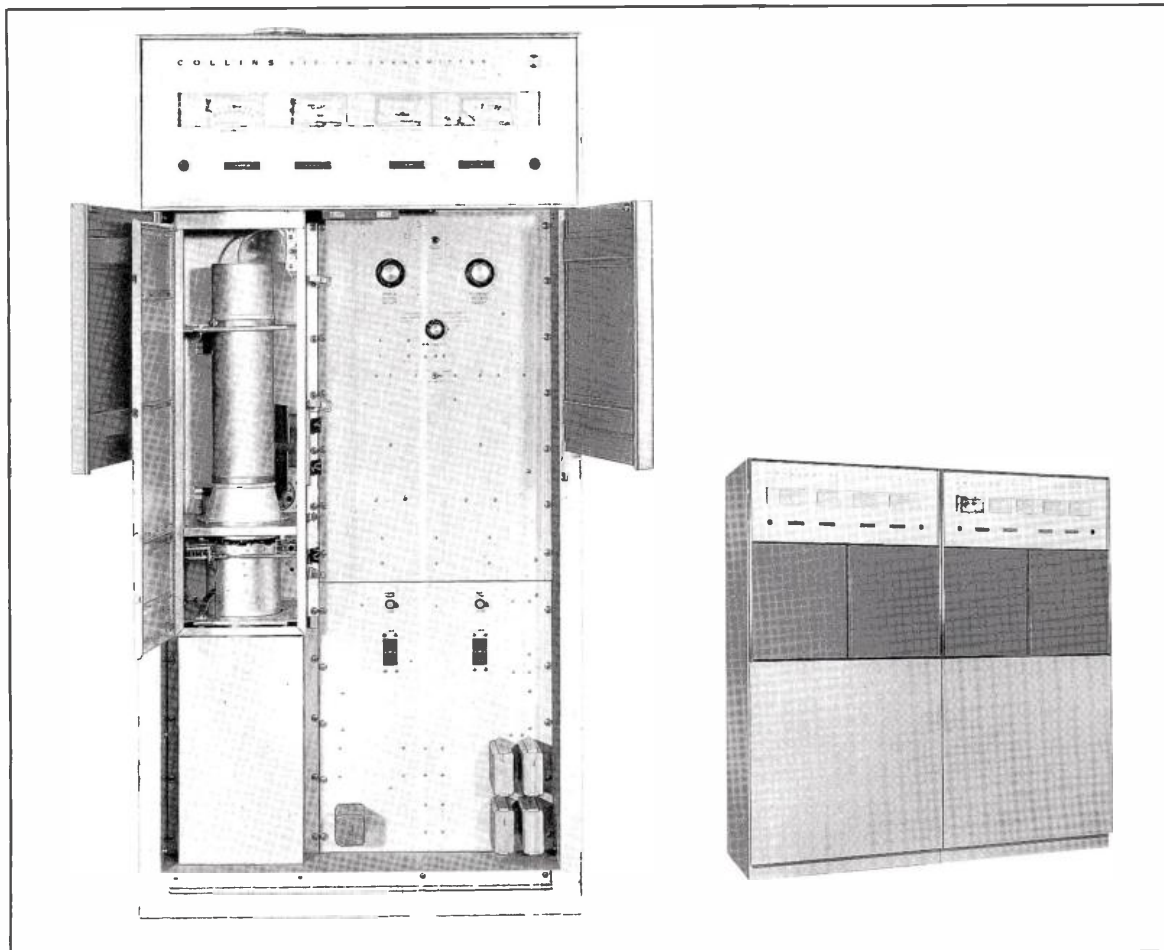
SELF-CONTAINED — Every component is housed within the two cabinets, including power transformers, harmonic filters and directional coupler. An optional feature is the Collins 786M-1 Stereo Generator which mounts in minutes in the 250 watt driver cabinet.

EASE OF OPERATION — Pushbutton operated, the transmitter starting sequences are fully automatic by the “step-

start” system. RF circuits are tuned and metered at the front panel. All adjustments can be made while the transmitter is on the air. No tuning or trimming of the harmonic filter is required. The PA stage is easily neutralized and is noncritical in adjustment.

DEPENDABLE — Grounded screen eliminates the bypass capacitors, doing away with a common source of failure. The driver power supply uses solid state silicon rectifiers which generate little heat and require a minimum of space. The final amplifier plate voltage supply uses mercury vapor tubes or optional silicon diode rectifiers. Efficient blowers force cooling air directly on the power tubes.

MAINTENANCE EASE — All components are easily accessible and may be rapidly inspected through the use of



POWER AMPLIFIER FRONT VIEW

vertical panels. All panels are interlocked for safety; a grounded shorting stick is provided.

RIGID TESTING — In keeping with rigid Collins standards, the transmitter is tested under actual load conditions on the broadcaster's channel before the unit is shipped.

While the transmitter is designed for 60 cycle operation, only the blower motors and plate contactors need be changed for 50 cycle use.

Collins also manufactures the 830F-2A transmitter. This unit uses an 830D-1A 1,000 watt driver, required when the additional PA is installed for 20,000 watt operation. If an eventual increase to 20KW is planned, the 830F-2A should be installed initially.

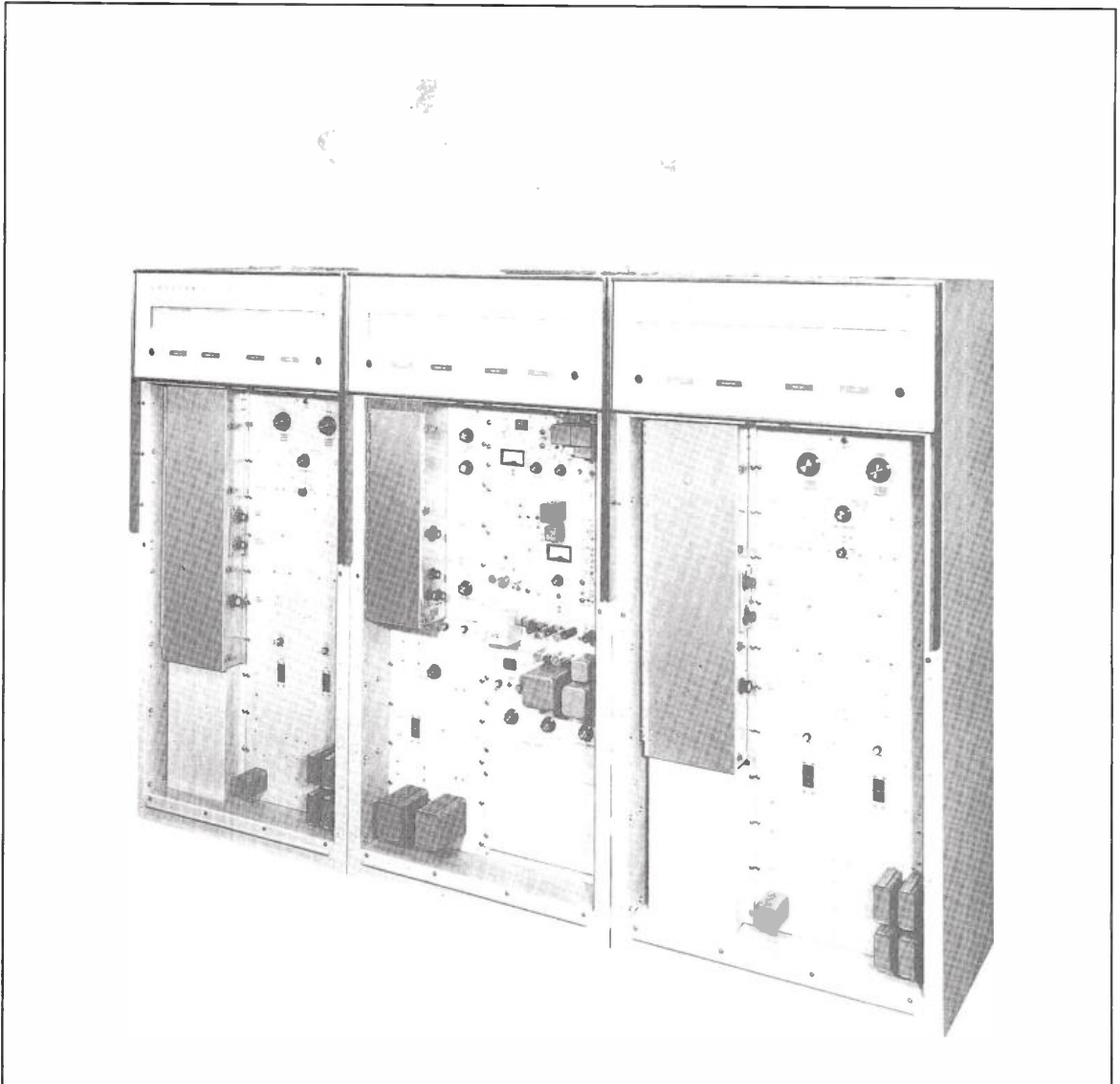
- Frequency Range:* 88-108 mc.
- Power Output:* 3,000-10,000 watts nominal.
- Carrier Frequency Stability:* $\pm 1,000$ cps.
- Audio Frequency Response:* ± 1 db, 50-15,000 cps.
- Distortion:* Less than 1%, 50-15,000 cps.
- FM Noise Level:* 65 db below ± 75 kc.
- AM Noise Level:* -55 db rms.
- Harmonic Attenuation:* -80 db.

- Modulation Capability:* ± 100 kc.
- RF Output Impedance:* 50 ohms; SWR not to exceed 2:1.
- Audio Input Level:* +10 dbm, ± 2 db.
- Power Source:* 230 v ac, cps (50 cps optional), 3 phase (tapped for 200-250 v in 10 v steps).
- Input Power Requirement:* 20 kw, 90% power factor.
- Power Line Regulation:* 3%.
- Variations:* Slow line, $\pm 5\%$; rapid line, $\pm 3\%$.
- Tube Complement:*

2 OD3	1 6AU6	1 4CX250B
1 6U8	1 5763	6 872A*
1 12AT7	1 2E26	1 4CX5000A
- Temperature Range:* 20°-45°C with mercury vapor rectifiers. 10°-45°C with silicon diode rectifiers.
- Humidity:* 0%-95%.
- Altitude:* 6,000 ft. (1828.8 m).
- Size:* 76" W, 76" H, 27" D (193 cm W, 193 cm H, 68.6 cm D).
- Weight:* 1,900 lbs. (861.8 kg).

*Not used if silicon rectifiers are employed.

Part No. 522 3054 (Type 830F-1A)
 Part No. 522 3139 (Type 830F-2A)



COLLINS 830H-1A/20 KW FM TRANSMITTER

For the broadcaster requiring extended coverage in major markets, Collins offers the 830H-1A, a 20,000 watt FM transmitter contained in only three cabinets. Use of a diplexing system assures continuous duty even though one of the two power amplifiers is removed from service for routine maintenance or repair.

Careful engineering, use of conservatively-rated components and precision manufacturing techniques assure the broadcaster of quality upon which he can depend.

Outstanding benefits of the 830H-1A are:

SELF-CONTAINED — Every component, including power transformers, harmonic filters and directional couplers, are housed within the three cabinets. Only the diplexer

assembly is mounted on the exterior. While the photograph shows a top mounted diplexer, this assembly may be located anywhere convenient to the broadcaster. An optional accessory is the 786M-1 Stereo Generator, which mounts in minutes inside the driver cabinet.

SIMPLE OPERATION — A pushbutton-operated “step-start” system assures automatic starting sequencing. RF circuits, tuned and metered at the front panel, may be adjusted while the transmitter is on the air. The harmonic filter requires no tuning or trimming. The PA stage is neutralized easily and is noncritical in adjustment.

DEPENDABLE — In event of a PA outage, the transmitter remains on the air at 6 db lower output until the an-

tenna is patched to one amplifier to permit half-power (-3 db) operation while the disabled PA is being restored to service. The transmitter is not off the air during this operation. A grounded screen eliminates the bypass capacitors, common trouble points. Independent driver power supply is solid state, requiring little space and generating little heat. The PA power supply consists of mercury vapor tubes, with a solid state supply an optional feature. Efficient, quiet blowers force air directly on the 4CX1000A and two 4CX5000A power amplifier tubes.

MAINTENANCE EASE — All components are easily accessible for inspection and maintenance through vertical panel construction. All cabinet panels are interlocked for safety; a grounded shorting stick is installed in each cabinet to discharge capacitors before servicing.

RIGID TESTING — The 830H-1A, like all Collins transmitters, is tested on the broadcaster's channel under actual load conditions *before* shipment.

While the transmitter nominally operates on 60 cycles, only the blower motors and plate contactors need be changed for 50 cycle operation.

Frequency Range: 88-108 mc.

Power Output: 6,000-20,000 watts nominal.

Carrier Frequency Stability: $\pm 1,000$ cps.

Audio Frequency Response: ± 1 db, 50-15,000 cps.

Distortion: Less than 1%, 50-15,000 cps.

FM Noise Level: 65 db below ± 75 kc.

AM Noise Level: -55 db rms.

Harmonic Attenuation: -80 db.

Modulation Capability: ± 100 kc.

RF Output Impedance: 50 ohms; SWR not to exceed 2:1.

Audio Input Level: +10 dbm, ± 2 db.

Power Source: 230 v ac, 60 cps (50 cps optional), 3 phase (tapped for 200-250 v in 10 v steps).

Input Power Requirement: 40 kw, 90% power factor.

Power Line Regulation: 3%.

Variations: Slow line, $\pm 5\%$; rapid line, $\pm 3\%$.

Tube Complement:

1 6U8	1 2E26
1 12AT7	1 4CX1000A
1 6AU6	12 872A*
1 5763	2 4CX5000A

Temperature Range: 20° - 45°C with mercury vapor rectifiers; 10° - 45°C with silicon diode rectifiers.

Humidity: 0% - 95%.

Altitude: 6,000 ft. (1828.8 m).

Size: 114" W, 76" H, 27" D (289.6 cm W, 193 cm H, 68.6 cm D).

Weight: 2,900 lbs. (1315 kg).

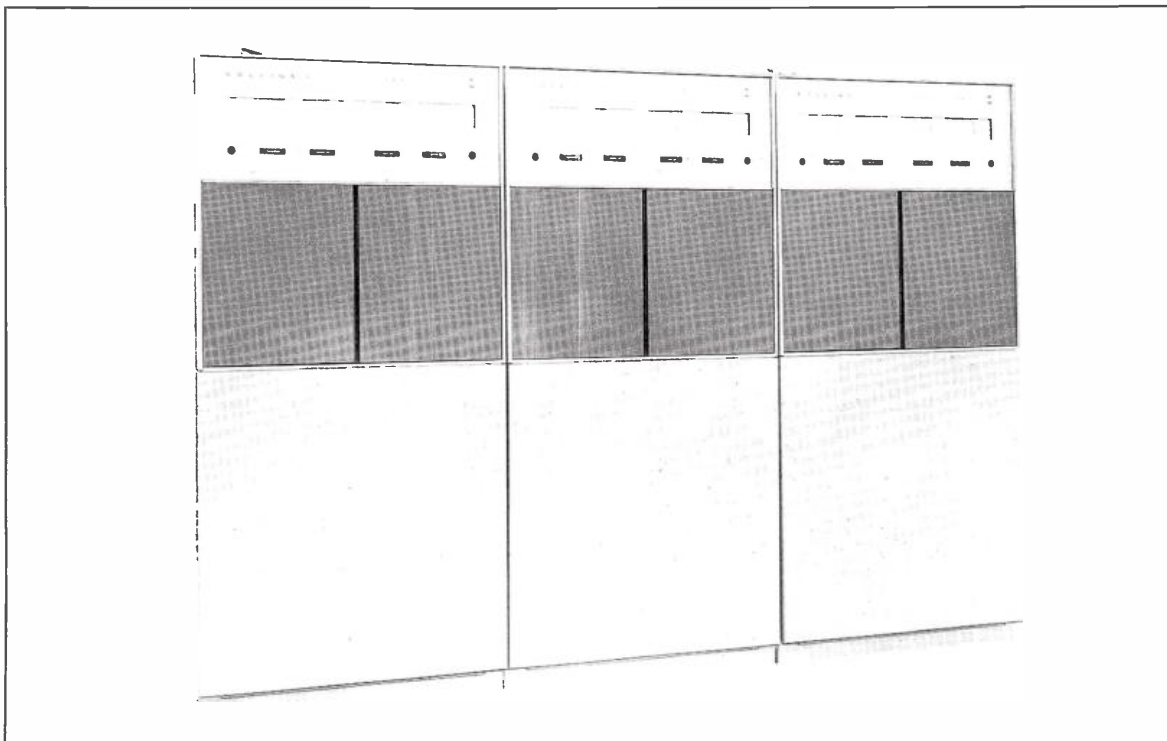
*Not used if silicon diode rectifiers are employed.

Part No. 522 3055

830N-1A FM TRANSMITTER

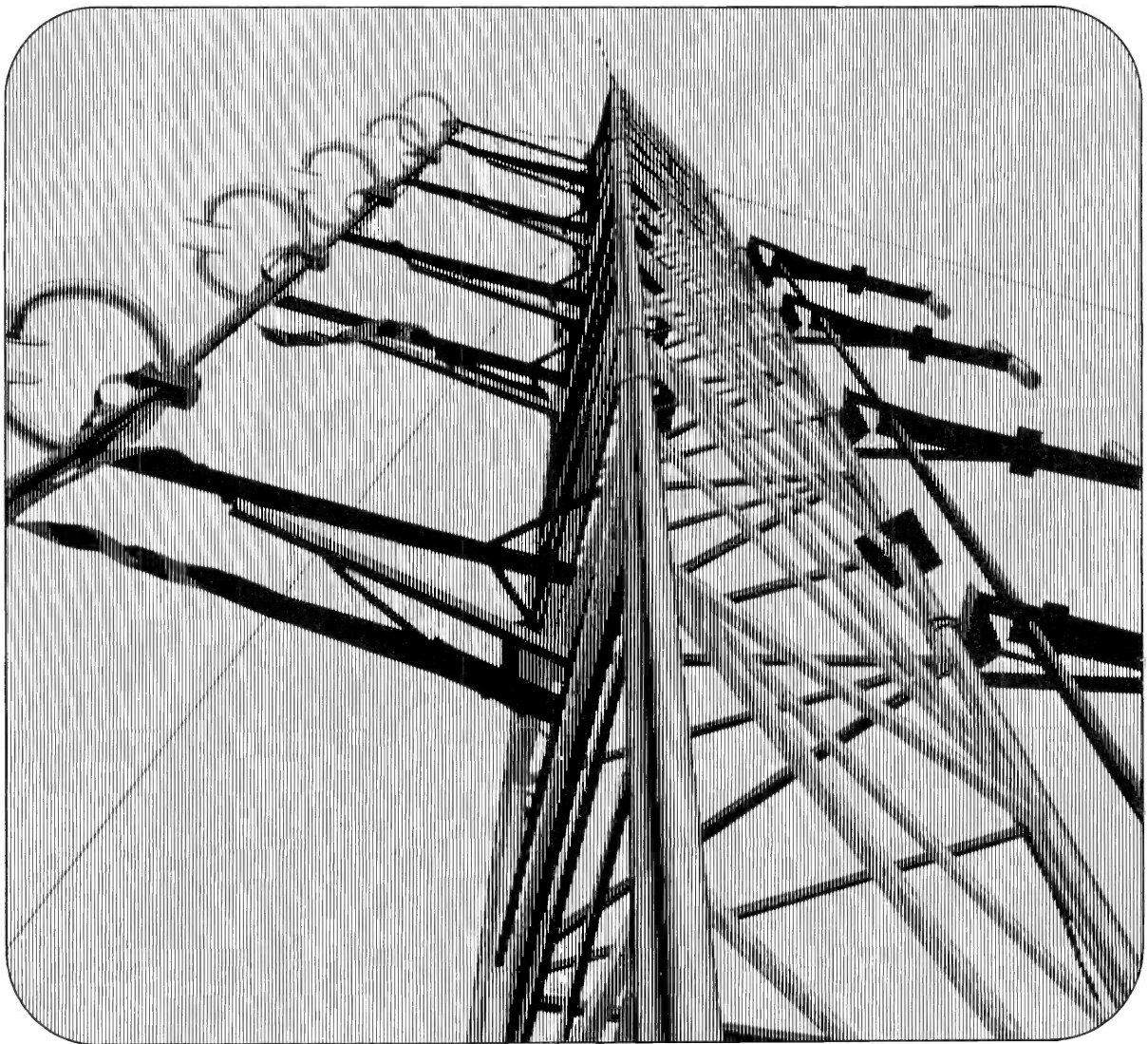
For the broadcaster whose market includes extensive mobile reception, Collins sells the 830N-1A, a dual 10,000 watt transmitter. This unit transmits 10,000 watts through vertically polarized antennas for automobile receivers and 10,000 watts to the horizontally-polarized antennas for home receivers.

Part No. 522 3592

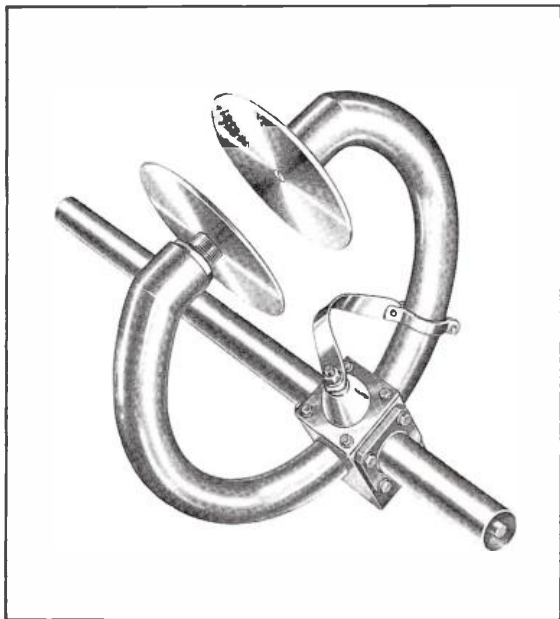


830H-1A FM TRANSMITTER

Antennas, Towers, Transmission Lines



COLLINS 37M FM ANTENNA



A proven design that has been imitated but never duplicated in efficiency during the past decade, the Collins 37M Antenna still maintains its position of leadership in FM broadcasting.

The advanced design features of the unit make it an ideal antenna for stereo and multiplex operations. The aerodynamic simplicity and low weight of the 37M provide greater efficiencies and savings in new tower costs, erection time and maintenance expense. These features also eliminate undue oscillating and weaving of the tower and antenna.

The Collins 37M Ring Antenna consists of only two basic parts: the radiating ring and the connecting inter-ring transmission line. Any number of rings, either odd or even, may be used to provide maximum flexibility in high power gain.

Antenna arrays mounted on $1\frac{5}{8}$ " or $3\frac{1}{8}$ " line are available for handling transmitter powers up to 20 kw. Antenna assemblies on $1\frac{5}{8}$ " line are rated for power inputs at base of antenna up to 2.5 kw for a single ring array; 10 kw for four or more rings. Antenna assemblies on $3\frac{1}{8}$ " line are rated for power inputs up to 2.5 kw per ring at base of antenna with maximum of 20 kw for eight or more rings.

Only one inter-element transmission line is required to feed all rings in a multiple element array. The individual radiating rings are identical mechanically and electrically. They are both shunt fed and supported by a single interconnecting feed line, which consists of modified lengths of standard EIA rigid coaxial line insulated with Teflon. The Collins 37M FM Antenna feed system has a stub at the top of the array which is capacitive and ade-

quately removes the inductive reactance created by the shunt feed on the ring. The 37M terminates in a standard EIA 50 ohm flange connection on the bottom element of the array for coupling directly to $1\frac{5}{8}$ " or $3\frac{1}{8}$ " transmission line.

The horizontal radiation pattern of the Collins 37M FM Antenna is essentially circular for both top mounting and side mounting arrays. The extent of deviation from a circular pattern in the side mounted antenna is dependent on the type and size of tower on which the antenna is mounted. In cases of very large supporting structures and in all cases where guy wires are used, expert recommendations should be requested on spacing of insulators and guy wires and mounting of the antenna. Insulators should be placed where the guys attach to the tower and guys should also be broken with insulators approximately every three feet for 15 feet in the immediate area of the antennas.

The voltage standing wave ratio of the Collins 37M Antenna can be maintained at better than 1:15:1 when field tuned due to the inherently high stability of the tuning system. The capacitor plates of the 37M are adjustable for optimum performance and equal power distribution through all rings. These features allow an accurate prediction of the gain from the given number of loops in the array. Adequate bandwidth virtually eliminates detuning effects caused by changes in atmospheric conditions. The bandwidth and linearity of the antenna are more than adequate for multiplexing service.

The compactness and simplicity of the 37M allow maximum efficiency in ice removal. Each ring may be equipped with an internally mounted, 200-watt heating unit which consists of a cartridge type element inside each of the tuning capacitor plates and an additional flexible heating element extending the full circumference of the inside of the ring. The simplicity of the heating arrangement makes it possible to replace the elements in the field if necessary. The absence of large masses of metal assures efficient and practical deicing of the antenna and capacitor, which is the most critical part of the antenna when icing occurs.

The 37M Antenna is easy and quick to erect. There are no heavy hoisting problems so that many hours of erection time can be saved. Support brackets are specially fabricated for each installation to match the tower and mounting arrangement, thus minimizing erection problems at the site.

Either guyed or self-supporting towers will in nearly all cases support the side mounting 37M. Towers which support top mounting television antenna arrays increase their usefulness with the addition of a side mounting 37M Antenna.

Top or pole mounting design is available on special order for installation on towers where no TV antenna is present or planned. This type of mounting provides the maximum in height and coverage. The light weight and windloading of the top mounting series allows erection on

most guyed and self-supporting towers without extensive tower modification.

Further information and quotations on the 37M FM Directional Antenna will be supplied upon request.

Part No.	Type and Number of Rings	Part No.	Type and Number of Rings
013 0020	37M-1	013 0070	37M-6
013 0030	37M-2	013 0080	37M-7
013 0040	37M-3	013 0090	37M-8
013 0050	37M-4	097 1693	37M-10
013 0060	37M-5	097 1528	37M-12

For top mounted, with mast rings mounted on 1 1/8" Line or 3 1/8" Line, Part Number remains the same for the specified number of rings.

No Part Number

37M FM Antennas for power inputs over 20 kw.

Part No. 013 0099 000

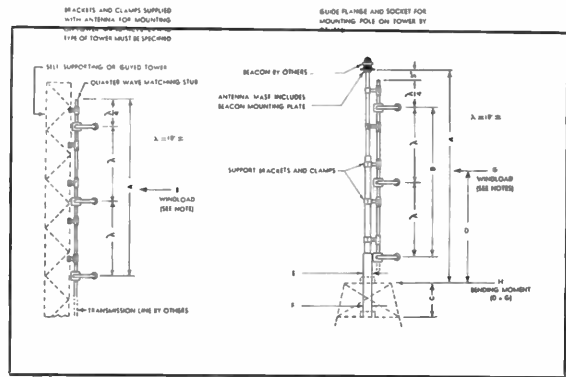
Deicer per bay installed at the factory.

Part No. 099 0005 000

Replacement heating element. Two required per ring - 60v.

Part No. 124 0032 453

Replacement heating element. Two required per ring - 115v.



COLLINS 37-M ANTENNA — SIDE MOUNTED

Collins Type	No. of Rings	Power Gain	Field Gain	db Gain	A**		On 1 1/8" Line		On 3 1/8" Line	
					Feet	Inches	B***	Weight (lbs.)	B***	Weight (lbs.)
37M-1	1	0.9	.95	- 0.45	2'	5"	43	42	81	69
37M-2	2	2.0	1.41	3.01	12	3	125	91	234	155
37M-3	3	3.0	1.73	4.77	22	1	206	140	386	241
37M-4	4	4.1	2.02	6.13	31	10	288	189	538	327
37M-5	5	5.2	2.28	7.16	41	8	370	238	691	413
37M-6	6	6.3	2.51	7.99	51	5	451	287	843	499
37M-7	7	7.3	2.70	8.63	61	3	533	336	996	585
37M-8	8	8.4	2.90	9.24	71	0	614	385	1148	671
37M-9*	9	9.4	3.07	9.73	80	10	696	434	1300	757
37M-10*	10	10.5	3.24	10.21	90	7	778	483	1453	843
37M-12*	12	12.5	3.54	10.97	110	3	941	581	1758	1015
37M-14*	14	14.5	3.81	11.61	129	10	1104	679	2062	1187
37M-16*	16	16.5	4.06	12.17	149	5	1267	777	2367	1359

* Antennas of over 8 bays are center fed with even numbers of bays or at 1/2 bay separation below center with odd numbers of bays.

** Computed for 100 Mc. For other frequencies multiply by 100 divided by frequency in Mc/s.

*** Wind loads based on 60 pounds on flat surfaces, 40 pounds per square foot on projected areas of cylindrical surfaces with all sections considered round.

COLLINS 37-M ANTENNA — TOP MOUNTED

Collins Type	No. of Rgs.	Pwr. Gn.	A Fr.	B Fr.	C Fr.	On 1 1/8" Line					On 3 1/8" Line						
						D Fr.	E Dia.	F Dia.	G Lbs.	H Fr.-Lbs.	Dead Wr.	D Fr.	E Dia.	F Dia.	G Lbs.	H Fr.-Lbs.	Dead Wr.
37M-1	1	.9	6		3	4-7	3 1/8"	3 1/8"	50	230	223	4-7	3 1/8"	3 1/8"	68	312	250
37M-2	2	2.0	16	10 ±	4	10	4 1/2"	4 1/2"	239	2,390	305	12-3	4 1/2"	4 1/2"	291	3,565	360
37M-3	3	3.0	26	20 ±	7	14-5	6 3/8"	6 3/8"	403	5,803	736	14-4	6 3/8"	6 3/8"	486	6,950	825
37M-4	4	4.1	36	30 ±	10	19	7 7/8"	7 7/8"	564	10,716	1169	18-9	7 7/8"	7 7/8"	678	12,713	1290
37M-5	5	5.2	46	40 ±	12	23	8 3/4"	7 3/4"	747	17,181	1652	22-8	8 3/4"	9 3/4"	919	20,769	2128
37M-6	6	6.3	56	50 ±	14	27-2	9 3/4"	8 3/4"	951	25,867	2285	26-7	10 3/4"	9 3/4"	1173	31,260	2770
37M-7	7	7.3	66	60 ±	15	31	10 3/4"	8 3/4"	1175	36,425	3218	31-3	10 3/4"	8 3/4"	1388	43,375	3485
37M-8*	8	8.4	76	70 ±	16-6	34-9	11 3/4"	9 3/4"	1417	49,241	4051	34-8	12 3/4"	11 3/4"	1696	58,682	4650

*up to 12 bays on application

ANDREW FITTINGS FOR COLLINS 37M-FM ANTENNA

The following end terminals and fittings are required for connection of various types of transmission line to Collins 37M FM Antenna. The 37M is supplied with 1 1/8" or 3 1/8" line. The following lists only Andrew fittings for antenna end of transmission line to antenna line. Be sure to specify correct fitting for transmitter end.

ANDREW H5-50, 7/8" Heliac to 1 1/8" 37M: 75AR EIA Flange and 1860 Reducer (inner connectors supplied with 75AR and 1860).

ANDREW H7-50A, 1 1/8" Heliac to 1 1/8" 37M: 87R EIA

Flange (with inner connector).

ANDREW H7-50A, 1 1/8" Heliac to 3 1/8" 37M: 87R EIA Flange (with inner connector) and 1861 Reducer.

ANDREW H8-50A, 3" Heliac to 3 1/8" 37M: 78R EIA. AMPHENOL RG 17U, 7/8" Solid to 1 1/8" 37M: 12418-1 Plug, 15069 Inner Connector and 2361 Adapter.

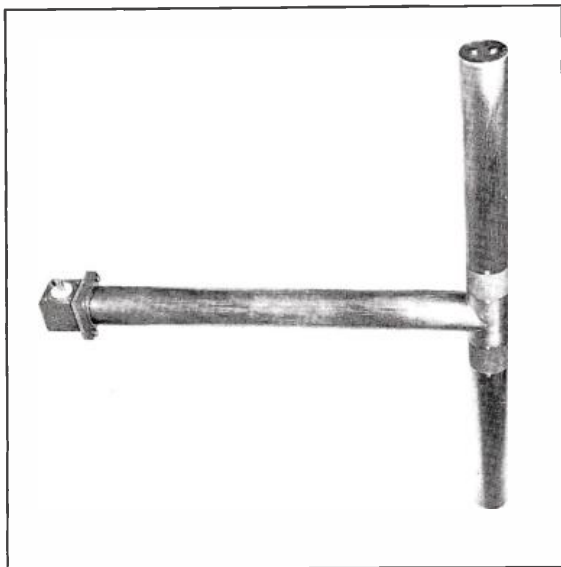
ANDREW 560, 7/8" Rigid to 1 1/8" 37M: 1860 Reducer (with inner connector).

ANDREW 561, 1 1/8" Rigid to 1 1/8" 37M: 15069 Inner Connector.

ANDREW 562A, 3 1/8" Rigid to 1 1/8" 37M: 1861 Reducer (with inner connector).

ANDREW 562A, 3 1/8" Rigid to 3 1/8" 37M: 15093 Inner Connector.

COLLINS 300C VERTICALLY POLARIZED FM ANTENNA



Collins 300C vertically polarized FM antenna can significantly improve your FM coverage. Here's how:
 FCC regulations permit simultaneous FM radiation in both horizontal and vertical planes. For example, if your

station is authorized for 5 kw ERP (horizontal), vertical radiation can be added up to the same power. Stations now operating with greater ERP than specified in new FCC rules for their classification may radiate vertically up to the maximum ERP specified in the rules.

Two methods are commonly used:

- (1) A single power amplifier and transmission line to provide power for each antenna.
- (2) Two power amplifiers fed from a common exciter-driver and two transmission lines. The antennas are fed separately.

The preferred method will be dictated by your power situation. If minimum initial investment is your primary concern, the first method is preferred. If redundancy is important, the second method permits either amplifier to be operated individually or both simultaneously. The recommended ratio of vertical to horizontal ERP is unity.

Collins Type 300C costs no more than your present horizontal bays, can be installed on your present tower and is compatible with your FM transmitter.

Vertical polarization with Collins 300C:

- * fills in shadow areas
- * reduces null effects
- * improves fringe area reception
- * vastly improves car FM radio reception
- * maintains FM stereo quality
- * improves SCA operation

TYPE 300C ANTENNA — SIDE MOUNTED

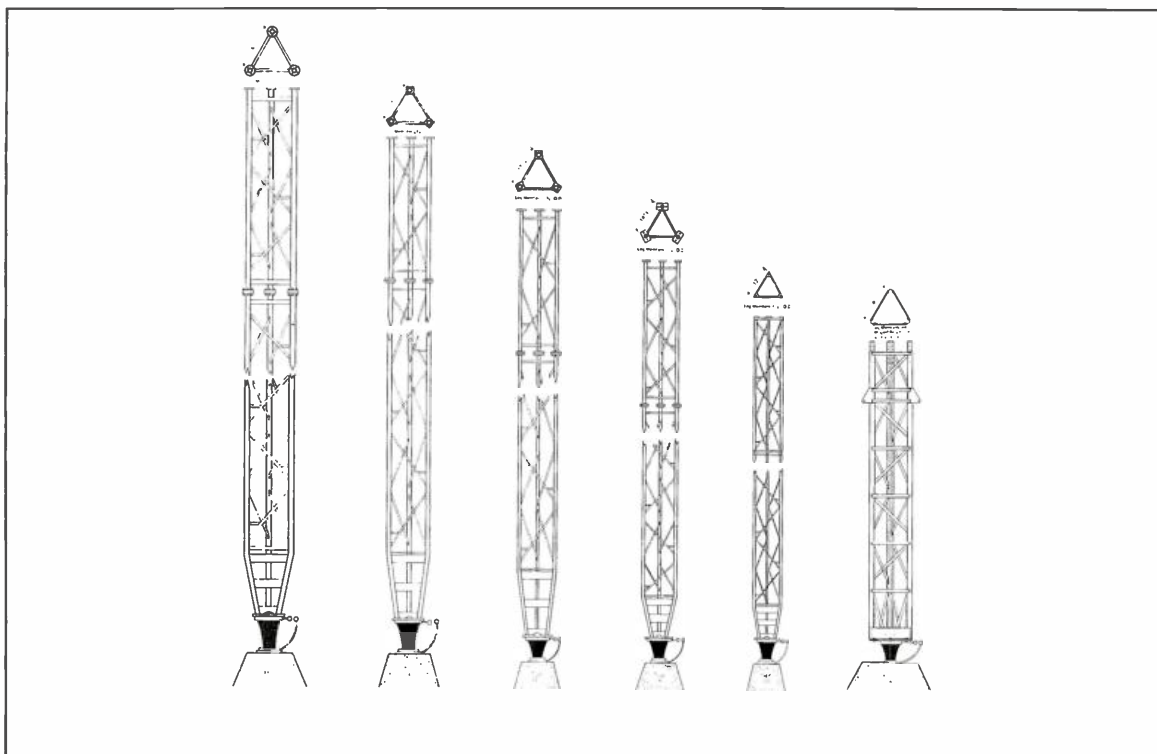
Type	No. of Dipoles	Power Gain	Field Gain	DB Gain	Power Rating		Length Feet & Inches
					On 1 1/2" Line	On 3 1/2" Line	
300-1	1	.950	.975	-.002	3	3	3 9
300-2	2	1.969	1.400	2.942	6	6	13 7
300-3	3	3.120	1.767	4.942	9	9	23 4
300-4	4	4.198	2.045	6.230	10	12	33 2
300-5	5	5.310	2.305	7.251	10	15	42 11
300-6	6	6.393	2.528	8.057	10	18	57 9
300-7	7	7.500	2.738	8.751	10	21	62 7
300-8*	8	8.571	2.926	9.330	20	24	72 4
300-9*	9	9.755	3.124	9.892	20	27	82 2
300-10*	10	10.960	3.311	10.398	20	30	91 11
300-12*	12	13.195	3.633	11.204	20	36	111 7
300-14*	14	15.290	3.910	11.844	20	42	131 2
300-16*	16	17.483	4.181	12.426	20	48	150 9

Type	Weight		Wind Load**		Over Turning Moment***	
	On 1 1/2" Line	On 3 1/2" Line	On 1 1/2" Line	On 3 1/2" Line	On 1 1/2" Line	On 3 1/2" Line
300-1	50	55	104	104	0	0
300-2	111	135	259	307	1,190	1,430
300-3	171	215	414	510	3,900	4,840
300-4	232	295	569	713	8,350	10,200
300-5	292	375	724	916	14,300	17,600
300-6	353	455	879	1119	21,100	27,000
300-7	413	535	1034	1322	29,900	38,400
300-8*	474	615	1189	1525	40,200	51,700
300-9*	534	695	1344	1728	52,100	67,100
300-10*	595	775	1499	1931	65,400	84,400
300-12*	716	935	1809	2337	96,600	125,000
300-14*	837	1095	2119	2743	133,965	173,000
300-16*	958	1255	2429	3149	177,000	230,000

* Antennas of eight bays and over are center fed with even numbers of bays or at a point 1/2 bay below center with odd numbers of bays.

** Wind load in the direction through the mounting toward the tower computed for 60 lbs. on flat surfaces and 40 lbs. on projected areas of cylindrical surfaces.

*** For 60 lbs. wind loading direction through the mounting toward the tower and referred to the center line of the bottom bay.



AM AND FM TOWERS

Collins furnishes a wide selection of both self-supporting and guyed antenna towers to meet the requirements of any AM or FM installation.

Towers are normally supplied with a protective coating of rust inhibitive paint prior to shipment, although they can be supplied with a galvanized finish at a slightly higher price. Galvanized is recommended in locations where the tower will be subjected to salt water spray, extreme humidity or other corrosive conditions. The finish coat is normally supplied by the tower erector and is in keeping with FAA requirement.

All hardware, fittings, guy insulators, anchor steel and base insulator (where required) are supplied with each tower. The applicable FCC (FAA) lighting kit and wiring are also provided.

UTILITY TOWERS

Available in the six basic designs shown, Utility towers meet or exceed EIA specifications. In the five standard models, steel pipe members are welded together in 20-foot sections, except for the top section length which is according to individual specification. The Type 170 KD tower is of bolted angle-iron construction in 10-foot sections.

Anchors are individually designed to meet the requirements of each tower installation. The I-beam used is imbedded in a concrete slab re-inforced with steel rods and with an earth fill on top.

Each section receives one coat of rust inhibitive, primer paint. Guy lines are galvanized and have a minimum breaking strength of at least twice the maximum calculated loads.

No Part Number

Tower Type	Maximum Recommended Height	Tower Width	Weight Per Foot*	Type of Base Insulation
480	480 ft. (146.3 m)	33 in. (83.82 cm)	28 lbs. (12.7 kg)	Locke or Lappe
340	350 ft. (106.68 m)	19 7/8 in. (50.48 cm)	17 lbs. (7.71 kg)	Utility 3401
220	250 ft. (76.2 m)	19 7/8 in. (49.37 cm)	12 1/2 lbs. (5.67 kg)	Utility 3401
180	200 ft. (60.96 m)	16 7/8 in. (41.12 cm)	10 lbs. (4.54 kg)	Utility 2201
120	200 ft. (60.96 m)	13 1/4 in. (33.34 cm)	8 lbs. (3.63 kg)	Utility 2201
170KD	320 ft. (97.54 m)	18 in. (45.72 cm)	17 lbs. (7.71 kg)	Utility 3401

*Tower steel only. Weight of guys, insulators, etc., not included.

FOOTAGE TABLE FOR BROADCAST TOWER HEIGHTS

550 KC TO 1070 KC					1080 KC TO 1600 KC				
KC	METERS	1 WAVE	1/2 WAVE	1/4 WAVE	KC	METERS	1-WAVE	1/2 WAVE	1/4 WAVE
550	545	1787.6	893.8	446.8	1080	277.8	911.1	455.5	227.7
560	536	1758.0	879.0	439.5	1090	275.2	902.6	451.3	225.6
570	526	1725.3	862.6	431.3	1100	272.7	894.4	447.2	223.6
580	517	1695.7	847.8	423.9	1110	270.3	886.5	443.2	221.6
590	509	1669.5	834.7	417.3	1120	267.9	879.0	439.5	219.7
600	500	1640.0	820.0	410.0	1130	265.5	870.8	435.4	217.7
610	492	1612.7	806.3	403.1	1140	263.2	862.6	431.3	215.6
620	484	1587.5	799.7	396.8	1150	260.9	855.7	427.8	213.9
630	476	1561.2	780.6	390.3	1160	258.6	847.8	423.9	211.9
640	469	1546.3	773.1	386.5	1170	256.4	840.9	420.4	210.2
650	462	1515.3	757.6	378.8	1180	254.2	834.7	417.3	208.6
660	455	1492.4	746.2	373.1	1190	252.1	826.8	413.4	206.7
670	448	1469.4	734.7	367.3	1200	250.0	820.0	410.0	205.0
680	441	1446.4	723.2	361.1	1210	247.9	813.1	406.5	203.2
690	435	1426.8	713.4	356.2	1220	245.9	806.3	403.1	201.5
700	429	1407.1	703.5	351.2	1230	243.9	799.1	399.5	199.7
710	423	1387.4	693.7	346.8	1240	241.9	793.7	396.8	198.4
720	417	1367.7	683.8	341.9	1250	240.0	787.2	393.6	196.8
730	411	1348.0	674.0	337.0	1260	238.1	780.9	390.4	195.2
740	405	1328.4	664.2	332.1	1270	236.2	774.7	387.3	193.6
750	400	1312.0	656.0	328.0	1280	234.4	768.8	384.4	192.2
760	395	1295.6	647.8	323.4	1290	232.6	762.9	381.4	190.7
770	390	1279.2	639.6	319.8	1300	230.8	757.0	378.5	189.2
780	385	1262.8	631.4	315.7	1310	229.0	751.1	375.5	187.7
790	380	1246.4	623.2	311.6	1320	227.3	746.2	373.1	186.5
800	375	1230.0	615.0	307.5	1330	225.6	739.9	369.9	184.9
810	370	1213.6	606.8	303.4	1340	223.9	734.7	367.3	183.6
820	366	1200.4	600.2	300.1	1350	222.2	728.8	364.4	182.2
830	361	1184.0	592.0	296.0	1360	220.6	723.2	361.1	180.5
840	357	1170.9	585.4	292.7	1370	219.0	718.3	359.1	179.5
850	353	1157.8	578.9	289.4	1380	217.4	713.4	356.2	178.1
860	349	1144.7	572.3	286.1	1390	215.8	707.8	353.1	176.5
870	345	1131.6	565.8	282.9	1400	214.3	703.5	351.2	175.6
880	341	1118.4	559.2	279.6	1410	212.8	696.9	348.4	174.2
890	337	1105.3	552.6	276.3	1420	211.3	693.7	346.8	173.4
900	333	1092.2	546.1	273.0	1430	209.8	688.1	344.0	172.0
910	330	1082.4	541.2	270.6	1440	208.3	683.8	341.9	170.9
920	326	1069.2	534.6	267.3	1450	206.9	678.6	339.3	169.6
930	323	1059.4	529.7	264.8	1460	205.5	674.0	337.0	168.5
940	319	1046.3	523.1	261.5	1470	204.1	669.4	334.7	167.3
950	316	1036.4	518.2	259.1	1480	202.7	664.2	332.1	166.5
960	313	1026.6	513.3	256.6	1490	201.3	660.2	330.1	165.0
970	309	1013.5	506.7	253.3	1500	200.0	656.0	328.0	164.0
980	306	1003.6	501.8	250.9	1510	198.7	651.7	325.8	162.9
990	303	993.8	496.9	248.4	1520	197.4	647.8	323.4	161.7
1000	300	984.0	492.0	246.0	1530	196.1	643.2	321.6	160.8
1010	297	974.1	487.5	243.7	1540	194.8	639.6	319.8	159.9
1020	294.1	964.6	482.3	241.1	1550	193.5	634.6	317.3	158.6
1030	291.3	955.3	477.6	238.8	1560	192.3	631.4	315.7	157.8
1040	288.5	946.2	473.1	236.5	1570	191.1	626.8	313.4	156.7
1050	285.7	937.1	468.5	234.2	1580	189.9	623.2	311.6	155.8
1060	283.0	928.2	464.1	232.0	1590	188.7	618.9	309.4	154.7
1070	280.4	919.7	459.8	229.9	1600	187.5	615.0	307.5	153.7

WIND VELOCITIES AND CORRESPONDING PRESSURES

TRUE "EXTREME" VELOCITY MILES PER HOUR	CYLINDRICAL SURFACES Pressure in Lbs./Sq. Ft. of Projected Area $P = 0.0025V^2$	FLAT SURFACES Pressure in Lbs./Sq. Ft. of Projected Area $P = 0.0042V^2$
V _s		
10	.25	.42
15	.56	.95
20	1.00	1.7
25	1.6	2.6
30	2.3	3.8
35	3.1	5.2
40	4.0	6.7
45	5.1	8.5
50	6.3	10.5
55	7.6	12.7
60	9.0	15.1
65	10.6	17.8
70	12.3	20.6
75	14.1	23.6
80	16.0	26.9
85	18.1	30.4
90	20.3	34.0
95	22.6	37.9
100	25.0	42.0
105	27.6	46.3
110	30.3	50.8
115	33.1	55.5
120	36.0	60.5
125	39.1	65.6
130	42.3	70.9
135	45.6	76.5
140	49.0	82.3
145	52.6	88.3
150	56.3	94.5
155	60.1	100.9
160	64.0	107.5
165	68.1	114.3
170	72.3	121.4
175	76.6	128.6
180	81.0	136.1
185	85.6	143.7
190	90.3	151.6
195	95.1	159.7
200	100.0	168.0
205	105.1	176.5
210	110.3	185.2
215	115.6	194.1
220	121.0	203.3
225	126.6	212.6

COPPER GROUND WIRE

Bare #10 copper ground wire is used for ground radials. Wire attaches to mesh ground screen.

Weight: 31.8' per lb.

Part No. 421 1010 000

COPPER GROUND STRAP

This fine quality copper ground strap is available in two sizes: 2" x .032" (4.02' per lb.), and 4" x .032" (2.01' per lb.).

Part No. 097 1445 00 (2" strap)
Part No. 097 0811 00 (4" strap)

TRUSCON MESH GROUND SCREEN

Expanded copper mesh ground screen is for use beneath base of antenna tower to increase soil conductivity. Available in 8' x 24' sheets.

Part No. 013 0107 00

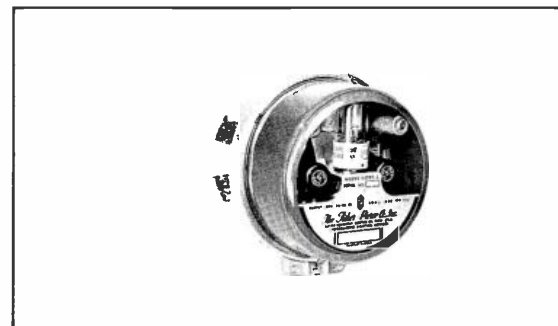
HUGHEY & PHILLIPS RING TRANSFORMER



For use wherever 60 cps energy must be transferred across two points with very low capacitance or at very high voltages. Provides a highly reliable, low capacity means of supplying power across base insulator or insulated radio towers employed as radiators. Their relatively large spacing and low capacity between windings make these isolation transformers desirable for use in directional arrays, and especially with radiators which develop very high voltages across the base insulators. No tuning or RF adjustments are necessary. Available in load capacities of 1750 watts (Model TI 2017) and 3500 watts (Model TI 2035) 115/230 volts.

Part No. 097 6920 00 (Type TI 2017)
Part No. 099 0365 00 (Type TI 2035)

FISHER-PIERCE 63305-DB BEACON LIGHT CONTROL



Designed to mount in a standard commercial meter socket. The 63305DB will automatically control broadcast tower lights directly or with auxiliary contactors. Adjustable potentiometer allows adjustment for operation from 0 to 50 f.c.

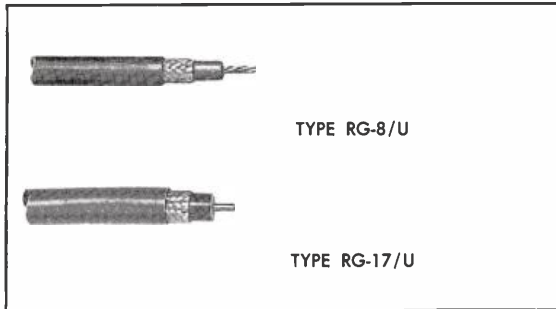
Power Requirements: 105-130 volts, 50/60 cycles.

Built-in Load Contactor: Single Pole, Single Throw, Double Break.

Load Rating: 3,000 watts.

Part No. 124 0032 559

SOLID DIELECTRIC CABLES



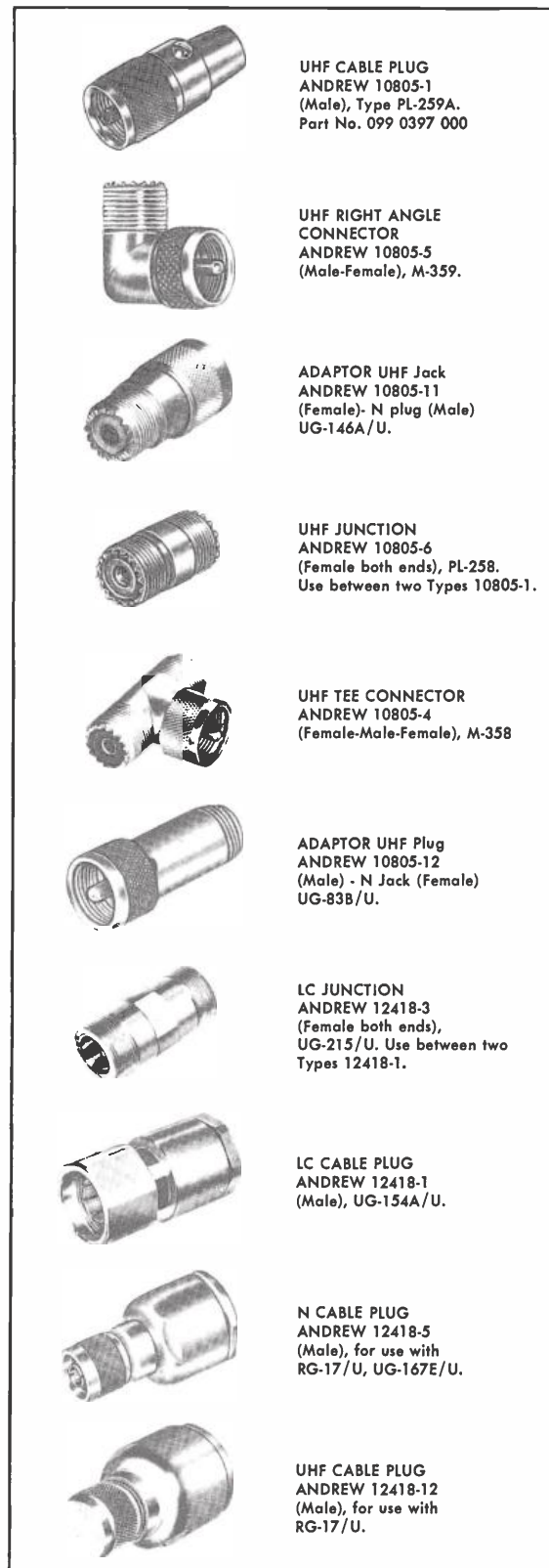
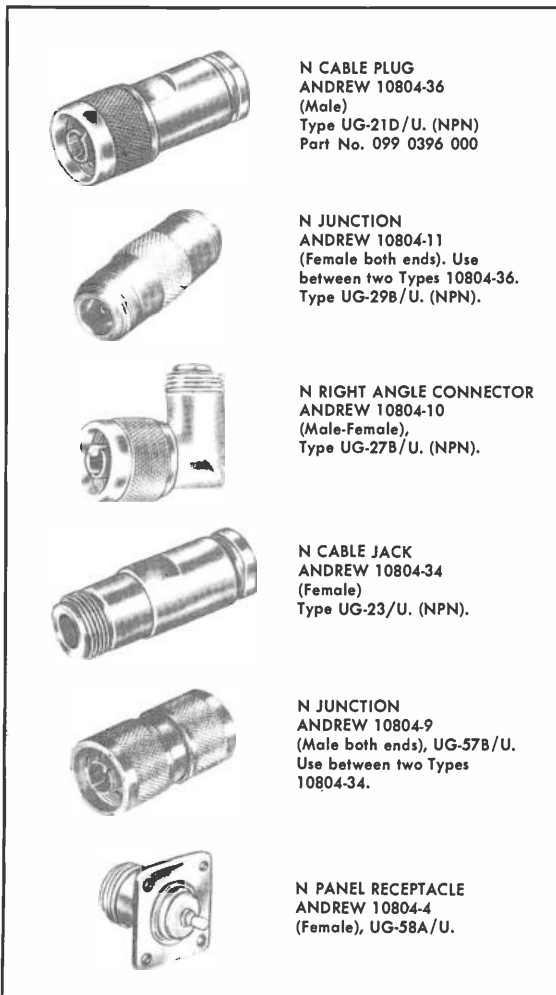
Andrew 1079-1, Type RG-8/U—Used for jumper connections between equipment and to HELIAX. Use types N and UHF connectors below.

Part No. 099 0146 000

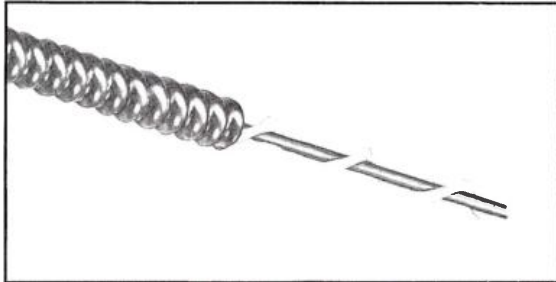
Andrew 10791-7, Type RG-17/U—Used for longer jumper connections. Use type LC connectors below.

Part No. 099 0137 000

CABLE FITTINGS



AIR DIELECTRIC HELIAX®



These small diameter air dielectric HeliAx cables are ideal for use as sampling lines and in phased arrays where stability of electrical characteristics is important. For all uses, the copper inner and outer conductors assure optimum performance.

Types H1 and H2 are phase stable cables having coefficients of phase velocity change with temperature on the order of one part per million per degree Fahrenheit.

Teflon insulated cables, with 35% higher power ratings are available in the 1/2" size; Types HT4-50 (unjacketed) and HTJ4-50 (polyethylene jacketed). Type 74 series connectors are suitable for use with these cables.

CHARACTERISTICS

Nominal Size	1/4"	3/8"	1/2"
Type	H1-50	H2-50	H4-50
Type (Jacketed)	HJ1-50	HJ2-50	HJ4-50

Electrical

Nominal Size	1/4"	3/8"	1/2"
Impedance, Ohms	50	50	50
Maximum Frequency, Gc	23	15.5	10.9
Velocity, Percent	85	85	91.4
Peak Power Rating, Kw	2	5	9.8

Mechanical

Nominal Size	1/4"	3/8"	1/2"
Insulation	Polyethylene*		
Outer Conductor			
Major Diameter, Inches	.250	.375	.500
Diameter over Jacket, Inches	.290	.435	.580
Recommended Minimum			
Bending Radius, Inches	2.5	4	5
Cable Weight,			
Unjacketed, Pounds per Foot	.07	.14	.20
Jacketed, Pounds per Foot	.08	.16	.25

ACCESSORIES



TYPE N JACK
(Female) mates with UG-21.
1/4" Cable—TYPE 71N.
3/8" Cable—TYPE 72N.
1/2" Cable—TYPE 74N.



TYPE N PLUG
(Male) mates with UG-23.
1/4" Cable—TYPE 71W.
3/8" Cable—TYPE 72W.
1/2" Cable—TYPE 74W.



SPLICE
1/4" Cable—TYPE 71Z.
3/8" Cable—TYPE 72Z.
1/2" Cable—TYPE 74Z.



END TERMINAL
For strap connection to center conductor.
1/4" Cable—TYPE 71T.
3/8" Cable—TYPE 72T.
1/2" Cable—TYPE 74T.

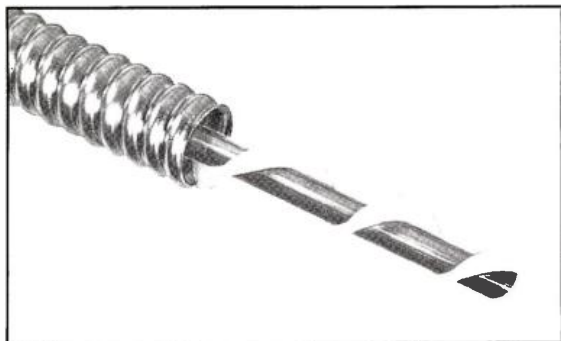
INSULATED RIGID HANGER
ANDREW 11662-3
Use at 5 foot intervals—for 1/2" cable shim for smaller sizes. (NPN).

GROUNDING KIT—Designed for 1/2" cable, may be shimmed for smaller sizes.
Unjacketed—TYPE 26892-1 (NPN).
Jacketed—TYPE 26892-2 (NPN).

COPPERWELD TIE WIRES
ANDREW 27290
20 for 100 ft. of cable.
Part No. 124 0032 278

STAINLESS STEEL WRAPLOCK
ANDREW 12395-1
Use at 5 foot intervals.
Part No. 097 5010 000

7/8" AIR DIELECTRIC HELIAX



Type H5 HeliAx is the preferred coaxial cable for low power RF systems. Its low attenuation makes it desirable for long runs in receiving antenna systems.

The cable types indicated in the opposite column feature copper conductors for optimum performance.

This cable is also available with a corrugated aluminum outer conductor, Type LJ5-50 (jacketed only). Retaining much of the strength and flexibility of the copper cable, the aluminum HELIAX is lighter in weight and lower in cost with a degradation of only 12% in attenuation and 10% in average power ratings. The basic electrical and mechanical data shown below apply to both copper and aluminum versions.

Teflon insulated cables with 35% higher power ratings are available in the 50 ohm version; Types HT5-50 (unjacketed) and HTJ5-50 (polyethylene jacketed). Type 75 series connectors are suitable for use with these cables.

CHARACTERISTICS

	50 Ohms	75 Ohms
Impedance	H5-50	H5-75
Andrew Type	RG-269A/U	RG-284/U
Military Number	HJ5-50	HJ5-75
Andrew Type (Jacketed)	RG-318/U	-----
Military Number		

Electrical

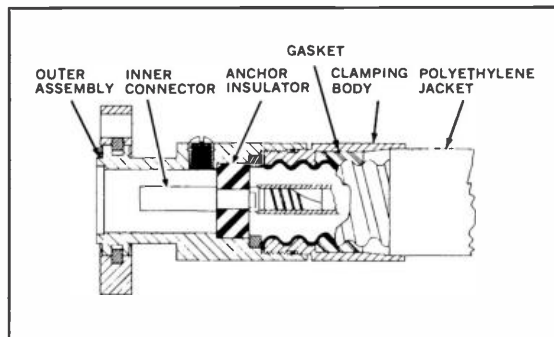
	50	75
Impedance, Ohms	5.200	5.600
Maximum Frequency, Gc	91.6	90.0
Velocity, Percent	44	29
Peak Power Rating, Kw		

Mechanical

	50	75
Impedance, Ohms	Polyethylene*	
Insulation		
Outer Conductor,		
Major Diameter, Inches	1.005	1.005
Diameter over Jacket, Inches	1.115	1.115
Recommended Minimum Bending		
Radius, Inches	10	10

*Teflon available in 50 ohm version

TYPICAL CONNECTOR CONSTRUCTION



ACCESSORIES FOR 7/8" HELIAX

All flanged items include inner connector, "O" ring, silicone grease and hardware kit.



3/8" EIA FLANGE

For use with copper cable.
50 ohm—TYPE 75AR.
75 ohm—TYPE 75AR-75.

For use with aluminum cable.
50 ohm—TYPE 75AR-3.
Part No. 099 0283 000-75AR



3/8" EIA FLANGE (includes gas barrier).

For use with copper cable.
50 ohm—TYPE 75AG.

For use with aluminum cable.
50 ohm—TYPE 75AG-3.



END TERMINAL, for strap connection to center conductor.

For use with copper cable.
50 ohm—TYPE 75AT.
75 ohm—TYPE 75AT-75.

For use with aluminum cable.
50 ohm—TYPE 75AT-3.
Part No. 099 0281 000-75AT



SPLICE.

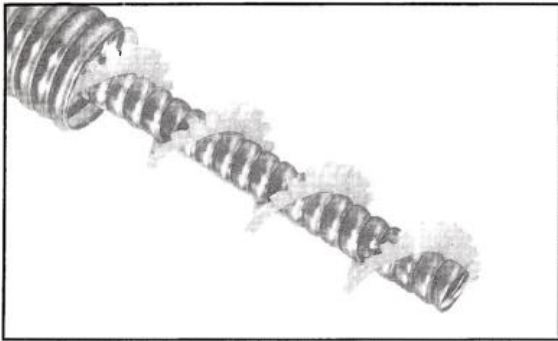
For use with copper cable.
50 ohm—TYPE 75AZ.

For use with aluminum cable.
50 ohm—TYPE 75AZ-3.

	<p>TYPE N JACK (Female) mates with UG-21. For use with copper cable. 50 ohm—TYPE 75AN. 75 ohm—TYPE 75AN-75. For use with aluminum cable. 50 ohm—TYPE 75AN-3. Part No. 099 0400 000-75AN</p>
	<p>TYPE N PLUG (Male) mates with UG-23. For use with copper cable. 50 ohm—TYPE 75AW.</p>
	<p>TYPE LC JACK (Female) mates with UG-154. For use with copper cable. 50 ohm—TYPE 75AL.</p>
	<p>TYPE LC PLUG (Male) mates with UG-352. For use with copper cable. 50 ohm—TYPE 75 AM. 75 ohm—TYPE 75AM-75.</p>
	<p>UHF JACK (Female) mates with PL 259A. For use with copper cable. 50 ohm—75AU 75 ohm—75AU-75. For use with aluminum cable. 50 ohm—TYPE 75AU-3.</p>
	<p>90° EIA MITER ELBOW 50 ohm—TYPE 1060. 75 ohm—TYPE 1070. May be used with either copper or aluminum cable. Part No. 099 0404 000-1060 Part No. 099 0405 000-1070</p>
	<p>EIA GAS BARRIER 50 ohm—TYPE 1260. May be used with either copper or aluminum cable. Part No. 099 0238 000</p>

	<p>REDUCER, 1 1/2" EIA to 7/8" EIA. 50 ohm—TYPE 1860. May be used with either copper or aluminum cable. Part No. 097 5405 000</p>
	<p>EIA INNER CONNECTOR 50 ohm—TYPE 18275. 75 ohm—TYPE 25385. May be used with either copper or aluminum cable. Part No. 099 0406 000-18275 Part No. 099 0407 000-25385</p>
	<p>ADAPTOR INNER CONNECTOR 50-51.5 ohm—TYPE 4850. 50-75 ohm—TYPE 25388. May be used with either copper or aluminum cable. Part No. 097 5958 000-4850</p>
	<p>CABLE GRIP. Unjacketed cable—Type 29958. Use at 575 foot intervals. Jacketed cable—TYPE 19256A. Use at 500 foot intervals. May be used with either copper or aluminum cable.</p>
	<p>INSULATED HANGER ANDREW 11662-2 Use on insulated tower at five foot intervals. May be used with either copper or aluminum cable.</p>
	<p>STAINLESS STEEL WRAPLOCK ANDREW 12395-1 Use at 5 foot intervals. May be used with either copper or aluminum cable. Part No. 097 5010 000</p>
	<p>GROUNDING KIT. For use with copper cable. Unjacketed—TYPE 24810-1. Jacketed—TYPE 24810-2. For use with aluminum cable. Jacketed—TYPE 24810-4. Part No. 099 0409 000-24810-1 Part No. 124 0032 267-24810-2</p>

1 5/8" AIR DIELECTRIC HELIAX



Type H7 HeliAx is widely used for medium power HF, AM and FM antenna installations. Its low attenuation also makes it popular at microwave frequencies.

Connectors include anchor insulator and feature positive clamping of both conductors, eliminating any possibility of uncertain contact with movement, vibration or time. They are compensated electrically and are suitable for field attachment with ordinary hand tools.

The cable types indicated in the opposite column feature copper conductors for optimum performance.

This cable is also available with a corrugated aluminum outer conductor, Type LJ7-50 (jacketed only). Retaining much of the strength and flexibility of the copper cable, the aluminum HeliAx is lighter in weight and lower in cost with a degradation of only 12% in attenuation and 10% in average power ratings. The basic electrical and mechanical data shown below apply to both copper and aluminum versions.

The connectors on the opposite page indicated for use with the aluminum cable are the same as those for copper cable, except plated.

CHARACTERISTICS

Impedance	50 Ohms	75 Ohms
Andrew Type	H7-50A	H7-75
Military Number	RG-270B/U	RG-286/U
Andrew Type (Jacketed)	HJ7-50A	HJ7-75
Military Number	RG-319A/U	RG-292/U

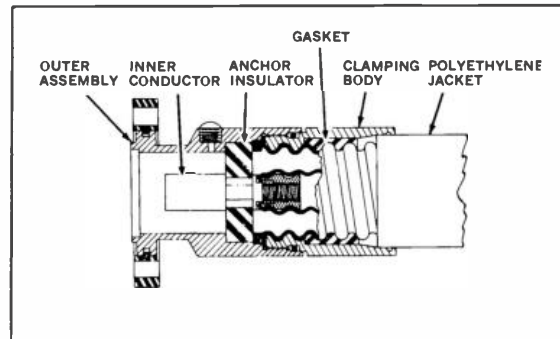
Electrical

Impedance, Ohms	50	75
Maximum Frequency, Gc	2.63	3.0
Velocity, Percent	92.1	92.4
Peak Power Rating, Kw	145	98

Mechanical

Impedance, Ohms	50	75
Insulation	Polyethylene	
Outer Conductor,		
Major Diameter, Inches	1.830	1.830
Diameter over Jacket, Inches	2.00	2.00
Recommended Minimum Bending		
Radius, Inches	20	20

TYPICAL CONNECTOR CONSTRUCTION



ACCESSORIES FOR 1 5/8" HELIAX

All flanged items include inner connector, "O" ring, silicone grease and hardware kit.



1 5/8" EIA FLANGE

For use with copper cable.

50 ohm—TYPE 87R.

75 ohm—TYPE 77AR-75.

For use with aluminum cable.

50 ohm—TYPE 87R-3.

Part No. 097 3002 000-87R



1 5/8" EIA FLANGE

(includes gas barrier).

For use with copper cable.

50 ohm—TYPE 87G.

For use with aluminum cable.

50 ohm—TYPE 87G-3.

Part No. 124 0032 194-87G



REDUCER CONNECTOR

(to 7/8" EIA flange).

For use with copper cable.

50 ohm—TYPE 87S.

Part No. 099 3006 000



SPLICE.

For use with copper cable.

50 ohm—TYPE 87Z.

75 ohm—TYPE 77AZ-75.

For use with aluminum cable.

50 ohm—TYPE 87Z-3.



TYPE LC JACK (Female) mates with UG-154.
For use with copper cable.
50 ohm—TYPE 87L.
75 ohm—TYPE 77AL-75.



TYPE LC PLUG (Male) mates with UG-352.
For use with copper cable.
50 ohm—TYPE 87M.
75 ohm—TYPE 77AM-75.



TYPE N JACK (Female) mates with UG-21.
For use with copper cable.
50 ohm—TYPE 87N.
For use with aluminum cable.
50 ohm—TYPE 87N-3.



TYPE UHF JACK (Female) mates with PL259A.
For use with copper cable.
50 ohm—TYPE 87U.
Part No. 099 3004 000



END TERMINAL for strap connection to center conductor.
For use with copper cable.
50 ohm—TYPE 87T.
75 ohm—TYPE 77AT-75.
Part No. 099 3005 000-87T



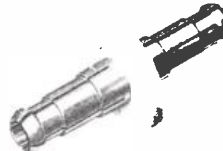
90° EIA MITER ELBOW.
50 ohm—TYPE 1061.
75 ohm—TYPE 1071.
May be used with either copper or aluminum cable.
Part No. 097 5620 000-1061
Part No. 099 0415 000-1071



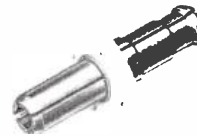
EIA GAS BARRIER.
50 ohm—TYPE 1261.
75 ohm—TYPE 1271.
May be used with either copper or aluminum cable.
Part No. 099 0416 000-1271



EIA END TERMINAL.
50 ohm—TYPE 2061.
75 ohm—TYPE 2071.
May be used with either copper or aluminum cable.
Part No. 097 7042 000-2061
Part No. 099 0417 000-2071



EIA INNER CONNECTOR.
50 ohm—TYPE 15069.
75 ohm—TYPE 24254.
May be used with either copper or aluminum cable.
Part No. 126 0658 030-15069



ADAPTOR INNER CONNECTOR
50-51.5 ohm—TYPE 4851.
50-75 ohm—TYPE 25572.
May be used with either copper or aluminum cable.
Part No. 097 5406 000-4851



CABLE GRIP
ANDREW 24312
Use one per 430 feet of unjacketed cable, or 325 feet of jacketed cable.
May be used with either copper or aluminum cable.
Part No. 099 0420 000



INSULATED RIGID HANGER
ANDREW 24622
Use on insulated tower at five foot intervals.
May be used with either copper or aluminum cable.
Part No. 099 0124 000

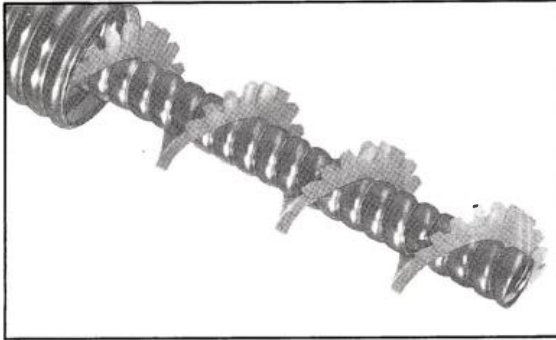


STAINLESS STEEL WRAPLOCK
ANDREW 12395-1
Use at five foot intervals.
May be used with either copper or aluminum cable.
Part No. 097 5010 000



GROUNDING KIT.
For use with copper cable.
Unjacketed—TYPE 24811-1.
Jacketed—TYPE 24811-2.
For use with aluminum cable.
Jacketed—TYPE 24811-4.
Part No. 099 0419 000-24811-1

3" AIR DIELECTRIC HELIAX



Type H8 HeliAx is ideally suited for all high power RF services and for long runs at lower power where attenuation and efficiency are important.

Flexible and easy to install, it is available in long splice-free lengths for one piece connection from transmitter to antenna.

Type H8 is lighter than comparable semiflexible aluminum cables, has greater crushing strength and is more highly resistant to impact damage. In addition, the corrugated copper conductors provide a degree of corrosion resistance and electrical efficiency not available in other cable types.

Connectors include anchor insulators and feature positive clamping of both conductors, eliminating any possibility of uncertain contact with movement, vibration or time. They are compensated electrically and are suitable for field attachment with ordinary hand tools.

CHARACTERISTICS

Impedance	50 ohms	75 ohms
Andrew Type	H8-50A	H8-75A
Military Number	RG-321/U	-----
Andrew Type (Jacketed)	HJ8-50A	HJ8-75A
Military Number (Jacketed)	RG-322/U	-----

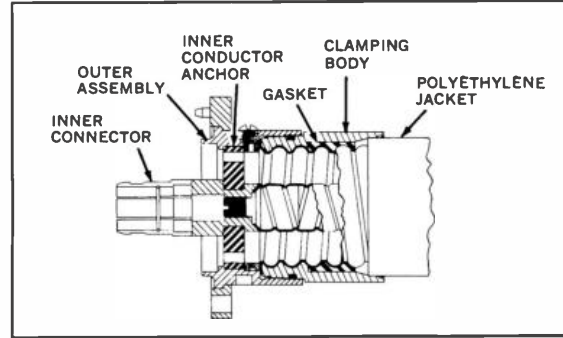
Electrical

Impedance, Ohms	50	75
Maximum Frequency, Gc	1.64	1.90
Velocity, Percent	93.3	93.6
Peak Power Rating, Kw	320	210

Mechanical

Impedance, Ohms	50	75
Insulation	Polyethylene	
Outer Conductor,		
Major Diameter, Inches	2.850	2.850
Diameter over Jacket, Inches	3.020	3.020
Recommended Minimum Bending		
Radius, Inches	30	30

TYPICAL CONNECTOR CONSTRUCTION



3" COMPONENTS

All flanged items include inner connector, "O" ring, silicone grease and hardware kit.



3/4" EIA FLANGE (Male).
50 ohm—TYPE 78R.
75 ohm—TYPE 78R-75.
Part No. 099 2314 000-78R




3/4" EIA FLANGE (Male)
includes gas barrier.
50 ohm—TYPE 78G.
75 ohm—TYPE 78G-75.




REDUCER CONNECTOR
(to 1 1/4" EIA flange).
50 ohm—TYPE 78S
75 ohm—TYPE 78S-75.




REDUCER CONNECTOR
(to 7/8" EIA flange).
50 ohm—TYPE 26666.




SPLICE.
50 ohm—TYPE 78Z.
75 ohm—TYPE 78Z-75.




TYPE LC JACK (Female) mates with UG-154.
50 ohm—TYPE 78L.




90° EIA MITER ELBOW.
50 ohm—TYPE 1062.
75 ohm—TYPE 1072.
Part No. 097 5621 000-1062
Part No. 099 0391 000-1072




EIA GAS BARRIER
50 ohm—TYPE 1262.
75 ohm—TYPE 1272.
Part No. 097 5754 000-1262
Part No. 099 0394 000-1272




EIA END TERMINAL
50 ohm—TYPE 2062.
75 ohm—TYPE 2072.
Part No. 099 0392 000-2062
Part No. 099 0393 000-2072




REDUCER.
3½" EIA to 1½" EIA.
50 ohm—TYPE 1861.
75 ohm—TYPE 1871.
Part No. 097 6050 000-1861




EIA INNER CONNECTOR.
50 ohm—TYPE 15093.
75 ohm—TYPE 24444.
50-75 ohm ADAPTOR—TYPE 25570.




ADAPTOR, male to male (3½" EIA), use between fittings with fixed male inner connectors.
50 ohm—TYPE 23187.
75 ohm—TYPE 24530.
Part No. 097 7262 000-23187




RIGID HANGER.
ANDREW 13927
Use at five foot intervals.
Part No. 097 7018 000



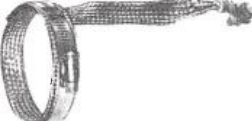
INSULATED HANGER
ANDREW 22418.
Use on insulated towers at five foot intervals.
Part No. 099 0515 000




HANGER ADAPTOR
ANDREW 13555.
Use with rigid or insulated hangers on angular member tower.
Part No. 097 6124 000



HANGER ADAPTOR
ANDREW 13550.
Use with rigid or insulated hangers on round member towers up to 3" diameter.
Part No. 097 6745 000

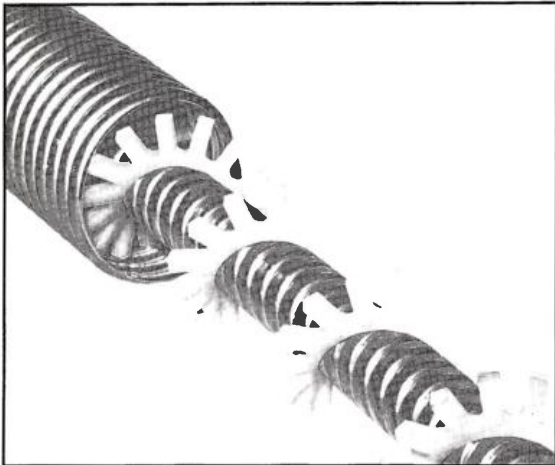


GROUNDING KIT.
Unjacketed cable—TYPE 28708-1.
Jacketed cable—TYPE 28708-2.



CABLE GRIP.
ANDREW 26985A.
Use one per 425 feet of unjacketed cable or 300 feet of jacketed cable.

5" AIR DIELECTRIC HELIAX



Type H9 HeliAx is designed for very high power, low attenuation service and is the largest available flexible coaxial cable. From VLF, LF and HF up through UHF-TV it is being used to replace many 6 $\frac{1}{8}$ " rigid transmission line installations.

The corrugated copper conductors provide a combination of strength, flexibility, corrosion resistance and electrical efficiency not found in any other type of coaxial transmission line.

Installation of cable and connectors requires no special tools or bending fixtures.

CHARACTERISTICS

Type (Unjacketed)	H9-50
Type (Jacketed)	HJ9-50
Military Number (Jacketed)	RG-367/U

Electrical









Impedance, Ohms	50
Maximum Frequency, Mc	960
Velocity, Percent	93.0
Peak Power Rating, Kw	830

Mechanical

Insulation	Polyethylene
Outer Conductor, Major Diameter, Inches	5.00
Outer Diameter, (Jacketed) Inches	5.20
Recommended Minimum Bending Radius, Inches	50

ACCESSORIES FOR 5" HELIAX

All flanged items include inner connector, "O" ring, silicone grease and hardware kit.

-  **6 $\frac{1}{8}$ " EIA FLANGE (Male).**
50 ohm—TYPE 79R.
-  **6 $\frac{1}{8}$ " EIA FLANGE (Male)**
includes gas barrier.
50 ohm—TYPE 79G.
-  **SPLICE.**
50 ohm—TYPE 79Z.
-  **90° EIA MITER ELBOW.**
50 ohm—TYPE 1073.
-  **EIA GAS BARRIER.**
50 ohm—TYPE 1273.
-  **REDUCER.**
6 $\frac{1}{8}$ " EIA to 3 $\frac{1}{8}$ " EIA.
50 ohm—TYPE 1872.
-  **GROUNDING KIT.**
Unjacketed cable—TYPE 30417-1.
Jacketed cable—TYPE 30417-2.
-  **CABLE GRIP.**
ANDREW 31031.
Use one per 195 feet of unjacketed or 130 feet of jacketed cable.

1/4" AND 3/8" FOAM DIELECTRIC



Types FH1 and FH2 Foam Helix are ideal for all low power coaxial cable application, particularly where space is at a premium.

The corrugated copper outer conductors and foamed polyethylene dielectrics result in cables with combinations of strength, corrosion resistance, flexibility and electrical efficiency not found in smooth wall aluminum or solid dielectric cables.

The "solid" outer conductors assure noise-free characteristics which will not deteriorate with time.

The connectors are compensated electrically and are easily attached with ordinary hand tools.

CHARACTERISTICS

Nominal Size	1/4"	3/8"
Type	FH1-50	FH2-50
Type (Jacketed)	FHJ1-50	FHJ2-50


Electrical

Nominal Size	1/4"	3/8"
Impedance, Ohms	50	50
Maximum Frequency, Gc	20	13
Velocity, Percent	79	79
Peak Power Rating, Kw	5	8


Mechanical

Nominal Size	1/4"	3/8"
Insulation	Foamed Polyethylene	
Outer Conductor		
Major Diameter, Inches	.250	.375
Diameter over Jacket, Inches	.290	.435
Recommended Minimum Bending		
Radius, Inches	2.5	4


ACCESSORIES FOR 1/4" AND 3/8" HELIAX




TYPE UHF JACK (Female) mates with PL-259A.
1/4" Cable—TYPE 41U.
3/8" Cable—TYPE 42U.
Part No. 124 0032 380-42U



TYPE UHF PLUG (Male) Mates with SO-239A.
1/4" Cable—TYPE 41P.
3/8" Cable—TYPE 42P.



TYPE N JACK (Female) mates with UG-21.
1/4" Cable—TYPE 41N.
3/8" Cable—TYPE 42N.

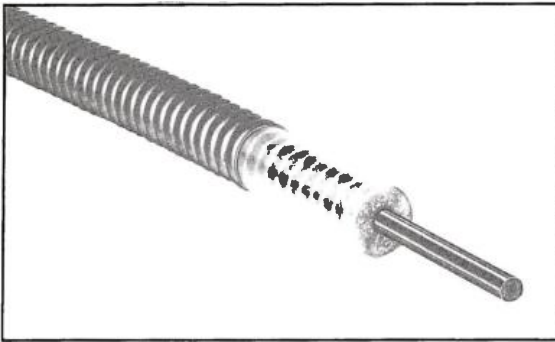


TYPE N PLUG (Male) mates with UG-23.
1/4" Cable—TYPE 41W.
3/8" Cable—TYPE 42W.

STAINLESS STEEL WRAPLOCK.
ANDREW 12395-1.
Use at five foot intervals.
Part No. 097 5010 000

COPPERWELD TIE WIRES.
ANDREW 27290.
20 for 100 feet of cable.
Part No. 124 0032 278

1/2" FOAM DIELECTRIC HELIAX



Type FH4 Foam Heliax is designed for fixed station antenna use and other low power applications.

The corrugated outer conductor and foam dielectric provide a combination of strength, flexibility, efficiency and permanence not available in semiflexible smooth wall or solid dielectric cables.

The cable types listed in the opposite column feature copper conductors for optimum performance.

This cable is also available with a corrugated aluminum outer conductor, Type FLJ4-50 (jacketed only). Retaining much of the strength and flexibility of the copper cable, the aluminum Heliax is lighter in weight and lower in cost with a degradation of only 12% in attenuation and 10% in average power ratings. The basic electrical and mechanical data shown below apply to both copper and aluminum versions.

The connectors on the opposite page indicated for use with the aluminum cable are the same as those for copper cable, except plated.

CHARACTERISTICS

Impedance	50 ohms	75 ohms
Type	FH4-50A	FH4-75
Type (Jacketed)	FHJ4-50A	FHJ4-75
Military Number (Jacketed)	RG-366/U	—

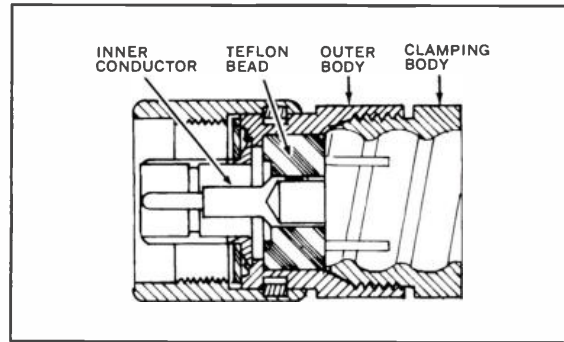
Electrical

Impedance, Ohms	50	75
Maximum Frequency, Gc	8.1	9.1
Velocity, Percent	79	79
Peak Power Rating, Kw	19	12.7

Mechanical

Impedance, Ohms	50	70
Insulation	Foamed Polyethylene	
Outer Conductor,		
Major Diameter, Inches	.540	.540
Diameter over Jacket, Inches	.620	.101
Recommended Minimum Bending		
Radius, Inches	5	5

TYPICAL CONNECTOR CONSTRUCTION



ACCESSORIES FOR 1/2" HELIAX

All flanged items include inner connector "O" ring, silicone grease and hardware kit.



3/8" EIA FLANGE, includes inner connector, "O" ring and hardware.

For use with copper cable.
50 ohm—TYPE 44AR.

For use with aluminum cable.
50 ohm—TYPE 44AR-3.



SPLICE.

For use with copper cable.
50 ohm—TYPE 44AZ.
Part No. 124 0032



TYPE LC PLUG (Male) mates with UG-352.

For use with copper cable.
50 ohm—TYPE 44AM.



TYPE LC JACK (Female) mates with UG-154.

For use with copper cable.
50 ohm—TYPE 44AL.



TYPE UHF PLUG (Male)
 mates with SO-239A.
 For use with copper cable.
 50 ohm—TYPE 44AP.
 For use with aluminum cable.
 50 ohm—TYPE 44AP-3.
 Part No. 099 2557 000-44AP



TYPE UHF JACK (Female)
 mates with PL-259A.
 For use with copper cable.
 50 ohm—TYPE 44AU.
 For use with aluminum cable.
 50 ohm—TYPE 44AU-3.
 Part No. 099 2455 000-44AU



TYPE N PLUG (Male) mates
 with UG-23.
 For use with copper cable.
 50 ohm—TYPE 44AW.
 75 ohm—TYPE 44AW-75.
 For use with aluminum cable.
 50 ohm—TYPE 44AW-3.



TYPE N JACK (Female) mates
 with UG-21.
 For use with copper cable.
 50 ohm—TYPE 44AN.
 For use with aluminum cable.
 50 ohm—TYPE 44AN-3.



END TERMINAL for strap
 connection to center conductor.
 For use with copper cable.
 50 ohm—TYPE 44AT.
 For use with aluminum cable.
 50 ohm—TYPE 44AT-3.
 Part No. 099 2517 000-44AT



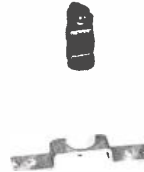
TYPE HN PLUG (Male) mates
 with UG-60.
 For use with copper cable.
 50 ohm—TYPE 44AJ.



GENERAL RADIO ADAPTOR.
 Mates with GR874BL.
 For use with copper cable.
 50 ohm—TYPE 44AGR.



**SOLID DIELECTRIC JUMPER
 CABLE.**
 ANDREW 16253-21.
 (RGA/U), for connection to
 antennas or equipment, four
 feet long with Type "N"
 plugs on each end.



**INSULATED MOUNTING
 CLAMP.**
 ANDREW 11662-3.
 Use on insulated towers at five
 foot intervals.
 May be used on either
 copper or aluminum cable.



COPPERWELD TIE WIRES.
 ANDREW 27290.
 20 for 100 feet of cable.
 May be used with either
 copper or aluminum cable.
 Part No. 124 0032 278

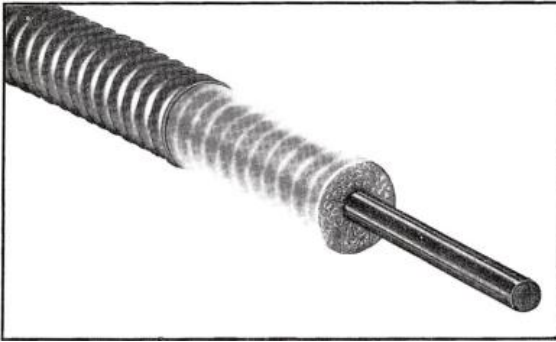


STAINLESS STEEL WRAPLOCK.
 ANDREW 12395-1.
 Use at five foot intervals.
 May be used with either
 copper or aluminum cable.
 Part No. 097 5010 000



GROUNDING KIT.
 For use with copper cable.
 Unjacketed—TYPE 26892-1.
 Jacketed—TYPE 26892-2.
 For use with aluminum cable.
 Jacketed—TYPE 26892-4.

7/8" FOAM DIELECTRIC HELIAX



Type FH5 Foam HeliAx is used extensively for long run fixed station antenna installations and HF receiving systems.

This cable outperforms comparable semiflexible smooth wall cables and all solid dielectric cables.

The cable types listed in the opposite column feature copper conductors for optimum performance.

This cable is also available with a corrugated aluminum outer conductor, Type FLJ5-50 (jacketed only). Retaining much of the strength and flexibility of the copper cable, the aluminum HeliAx is lighter in weight and lower in cost with a degradation of only 12% in attenuation and 10% in average power ratings. The basic electrical and mechanical data shown below apply to both copper and aluminum versions.

The connectors on the opposite page indicated for use with the aluminum cable are the same as those for copper cable, except plated.

CHARACTERISTICS

	50 ohms	75 ohms
Impedance	50 ohms	75 ohms
Andrew Type	FH5-50	FH5-75
Military Number	RG-324/U	-----
Andrew Type (Jacketed)	FHJ5-50	FHJ5-75
Military Number	RG-323/U	-----

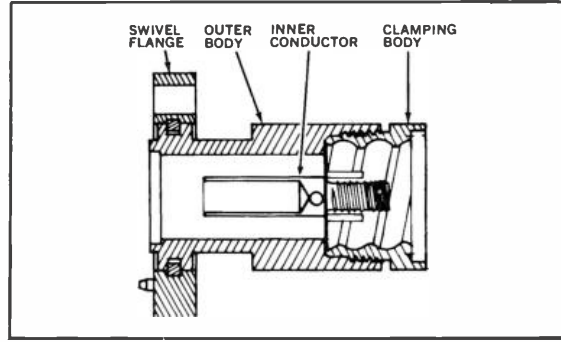
Electrical

	50	75
Impedance, Ohms	50	75
Maximum Frequency, Gc	4.4	4.9
Velocity, Percent	79	79
Peak Power Rating, Kw	44	29

Mechanical


	50	75
Impedance, Ohms	50	75
Insulation	Foamed Polyethylene	
Outer Conductor,		
Major Diameter, Inch	.980	.980
Outer Diameter,		
(Jacketed), Inches	1.090	1.090
Recommended Minimum Bending		
Radius, Inches	10	10

TYPICAL CONNECTOR CONSTRUCTION



ACCESSORIES FOR 7/8" HELIAX

All flanged items include inner connector, "O" ring, silicone grease and hardware kit.




7/8" EIA FLANGE.

For use with copper cable.
50 ohm—TYPE 45AR.

For use with aluminum cable.
50 ohm—TYPE 45AR-3.

Part No. 124 0032 419-45AR




SPLICE.

For use with copper cable.
50 ohm—TYPE 45AZ.

For use with aluminum cable.
50 ohm—TYPE 45AZ-3.

Part No. 124 0032 152-45AZ




TYPE UHF JACK (Female)
mates with PL-259A.

For use with copper cable.
50 ohm—TYPE 45AU.

For use with aluminum cable.
50 ohm—TYPE 45AU-3.

Part No. 099 2553 000-45AU



TYPE UHF PLUG (Male)
mates with SO-239A.

For use with copper cable.
50 ohm—TYPE 45AP.

For use with aluminum cable.
50 ohm—TYPE 45AP-3.



TYPE N JACK (Female) mates with UG-21.
 For use with copper cable.
 50 ohm—TYPE 44AN.
 75 ohm—TYPE 44AN-75.
 For use with aluminum cable.
 50 ohm—TYPE 45AN-3.



TYPE N PLUG (Male) mates with UG-23.
 For use with copper cable.
 50 ohm—TYPE 45AW.
 For use with aluminum cable.
 50 ohm—TYPE 45AW-3.



END TERMINAL for strap connection to center conductor.
 For use with copper cable.
 50 ohm—TYPE 45AT.
 For use with aluminum cable.
 50 ohm—TYPE 45AT-3.
 Part No. 099 2519 000-45AT



TYPE LC JACK (Female) mates with UG-154.
 For use with copper cable.
 50 ohm—TYPE 45AL.



TYPE LC PLUG (Male) mates with UG-352.
 For use with copper cable.
 50 ohm—TYPE 45AM.



TYPE HN JACK (Female) mates with UG-59.
 For use with copper cable.
 50 ohm—TYPE 45AH.



TYPE HN PLUG (Male) mates with UG-61.
 For use with copper cable.
 50 ohm—TYPE 45AJ.



90° EIA MITER ELBOW.
 50 ohm—TYPE 1060.
 May be used with either copper or aluminum cable.
 Part No. 099 0404 000



EIA INNER CONNECTOR.
 ANDREW 18275.
 50 ohm. Part No. 099 0406 000
ADAPTOR INNER CONNECTOR.
 ANDREW 4850.
 50 ohm to 51.5 ohm.
 May be used with either copper or aluminum cable.
 Part No. 097 5958 000



INSULATED MOUNTING CLAMP.
 ANDREW 11662-2.
 Use on insulated towers at five foot intervals.
 May be used with either copper or aluminum cable.
 Part No. 099 0410 000



CABLE GRIP.
 Unjacketed cable—TYPE 29958.
 Use at 1400 foot intervals.
 Jacketed cable—TYPE 19256A.
 Use at 1200 foot intervals.
 May be used with either copper or aluminum cable.
 Part No. 099 0408 000-19256A



COPPERWELD TIE WIRES.
 ANDREW 27290.
 20 for 100 feet of cable.
 May be used with either copper or aluminum cable.
 Part No. 124 0032 278



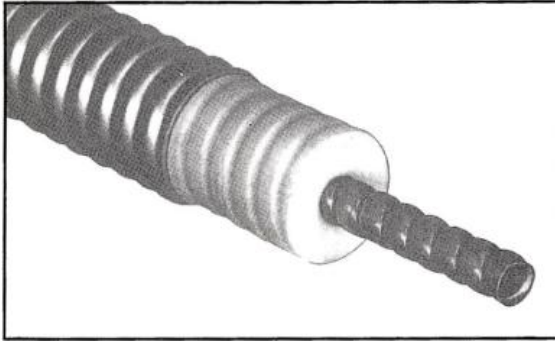
STAINLESS STEEL WRAPLOCK.
 ANDREW 12395-1.
 Use at five foot intervals.
 May be used with either copper or aluminum cable.
 Part No. 097 5010 000



GROUNDING KIT.
 For use with copper cable.
 Unjacketed—TYPE 24810-1.
 Jacketed—TYPE 24810-2.
 For use with aluminum cable.
 Jacketed—TYPE 24810-3.
 Part No. 099 0409 000-24810-1



1 5/8" FOAM DIELECTRIC HELIAX



Type FH7 Foam Heliax provides high efficiency and power handling capabilities without the need for pressurization.

As with all Heliax sizes, connectors for FH7 are compensated electrically and are suitable for either factory or field installation with ordinary hand tools.

The cable types listed in the opposite column feature copper conductors for optimum performance.

This cable is also available with a corrugated aluminum outer conductor, Type FLJ7-50 (jacketed only). Retaining much of the strength and flexibility of the copper cable, the aluminum Heliax is lighter in weight and lower in cost with a degradation of only 12% in attenuation and 10% in average power ratings. The basic electrical and mechanical data shown below apply to both copper and aluminum versions.

CHARACTERISTICS

Impedance	50 ohms
Type	FH7-50
Type (Jacketed)	FHJ7-50

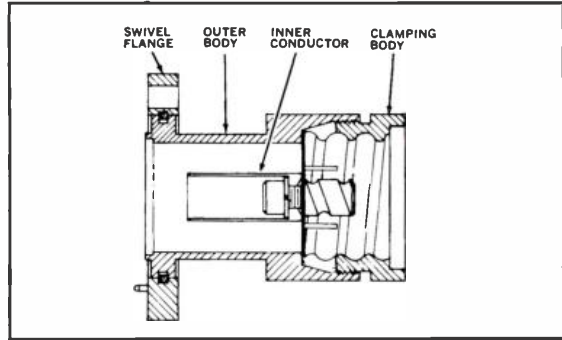
Electrical

Impedance, Ohms	50
Maximum Frequency, Gc	2.3
Velocity, Percent	79
Peak Power Rating, Kw	145

Mechanical





Insulation	Foamed Polyethylene
Outer Conductor,	
Major Diameter, Inches	1.830
Diameter over Jacket, Inches	2.000
Recommended Minimum Bending	
Radius, Inches	20

TYPICAL CONNECTOR CONSTRUCTION



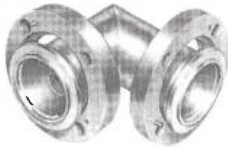
ACCESSORIES FOR 1 5/8" HELIAX

All flanged items include inner connector, "O" ring, silicone grease and hardware kit.

	<p>1 5/8" EIA FLANGE.</p> <hr/> <p>For use with copper cable. 50 ohm—TYPE 47R.</p> <hr/> <p>For use with aluminum cable. 50 ohm—TYPE 47R-3. Part No. 124 0032 150-47R</p>
	<p>SPLICE.</p> <hr/> <p>For use with copper cable. 50 ohm—TYPE 47Z.</p> <hr/> <p>For use with aluminum cable. 50 ohm—TYPE 47Z-3.</p>
	<p>TYPE LC JACK (Female) mates with UG-154.</p> <hr/> <p>For use with copper cable. 50 ohm—TYPE 47L.</p> <hr/> <p>For use with aluminum cable. 50 ohm—TYPE 47L-3.</p>
	<p>TYPE N JACK (Female) mates with UG-21.</p> <hr/> <p>For use with copper cable. 50 ohm—TYPE 47N.</p> <hr/> <p>For use with aluminum cable. 50 ohm—TYPE 47N-3.</p>



TYPE N PLUG (Male) mates with UG-23.
 For use with copper cable.
 50 ohm—TYPE 47W.
 For use with aluminum cable.
 50 ohm—TYPE 47W-3.



90° EIA MITER ELBOW.
 50 ohm—TYPE 1061.
 May be used with either copper or aluminum cable.
 Part No. 097 5620 000



EIA GAS BARRIER.
 50 ohm—TYPE 1261B.
 May be used with either copper or aluminum cable.
 Part No. 099 0238 000-1261B



EIA END TERMINAL for strap connection to center conductor.
 50 ohm—TYPE 2061.
 May be used with either copper or aluminum cable.
 Part No. 097 7042 000



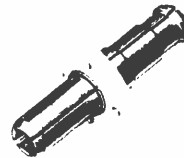
REDUCER.
 1 5/8" EIA to 7/8" EIA.
 50 ohm—TYPE 1860.
 May be used with either copper or aluminum cable.
 Part No. 097 5405 000



REDUCER.
 3 1/8" EIA to 1 5/8" EIA.
 50 ohm—TYPE 1861.
 May be used with either copper or aluminum cable.
 Part No. 097 6050 000



EIA INNER CONNECTOR.
 50 ohm—TYPE 15069.
 May be used with either copper or aluminum cable.
 Part No. 126 0658 030



ADAPTOR INNER CONNECTOR.
 50-51.5 ohm—TYPE 4851.
 50-75 ohm—TYPE 25572.
 May be used with either copper or aluminum cable.
 Part No. 097 5406 000-4851



CABLE GRIP.
 ANDREW 24312.
 Use one per 430 feet of unjacketed cable, or 325 feet of jacketed cable.
 May be used with either copper or aluminum cable.
 Part No. 099 0420 000



INSULATED RIGID HANGER.
 ANDREW 24622.
 Use on insulated tower at five foot intervals.
 May be used with either copper or aluminum cable.
 Part No. 099 0124 000

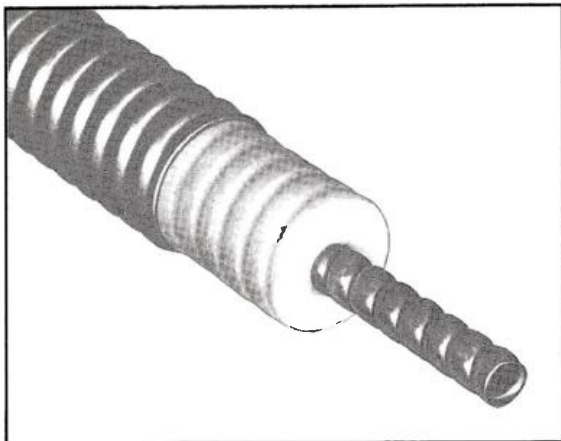


STAINLESS STEEL WRAPLOCK.
 ANDREW 12395-1.
 Use at five foot intervals.
 May be used with either copper or aluminum cable.
 Part No. 097 5010 000



GROUNDING KIT.
 For use with copper cable.
 Unjacketed—TYPE 24811-1.
 Jacketed—TYPE 24811-2.
 For use with aluminum cable.
 Jacketed—TYPE 24811-3.
 Part No. 099 0419 000-24811-1

3" FOAM DIELECTRIC HELIAX



Type FH8 is the largest size foam dielectric HeliAx available. The use of corrugated copper inner and outer conductors guarantees a flexible cable with extremely low attenuation for long runs or high efficiency systems.

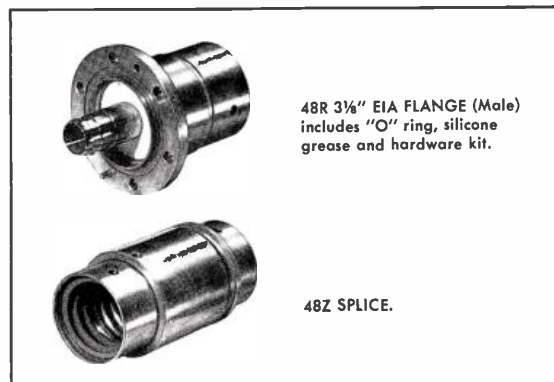
As with all HeliAx sizes, no special tools or bending fixtures are required to install this cable or its connectors.

CHARACTERISTICS

Type	FH8-50
Type (Jacketed)	FHJ8-50
<i>Electrical</i>	
Impedance, Ohms	50
Maximum Frequency, Gc	1.5
Velocity, Percent	92
Peak Power Rating, Kw	320
<i>Mechanical</i>	
Insulation	ANDREW P-205
Outer Conductor, Major Diameter, Inches	2.850
Diameter over Jacket, Inches	3.020
Recommended Minimum Bending Radius, Inches	50

ACCESSORIES

For elbows, reducers, hangers, see Page 45.



48R 3/4" EIA FLANGE (Male)
includes "O" ring, silicone
grease and hardware kit.

48Z SPLICE.

All flanged items include inner connector, "O" ring, silicone grease and hardware kit.

SPECIAL HELIAX CABLES, FITTINGS AND ASSEMBLIES

On the preceding pages we have described the standard line of HeliAx cables and fittings, the popular sizes, impedances and types which are stocked for quick delivery. Many other types have been or can be designed and made to special order.

IMPEDANCE

75 ohm and 100 ohm cables are available or can be designed for all sizes of HeliAx.

SPECIAL FITTINGS

In addition to the large variety shown, HeliAx fittings are available to connect to almost all types of connectors. Adaptors to the HN series and the General Radio Type 874BL connector, for instance, are available for most cables.

PHASE STABLE

HeliAx is available in several sizes with a negligible coefficient of phase velocity change with temperature for use in phased or sampling arrays.

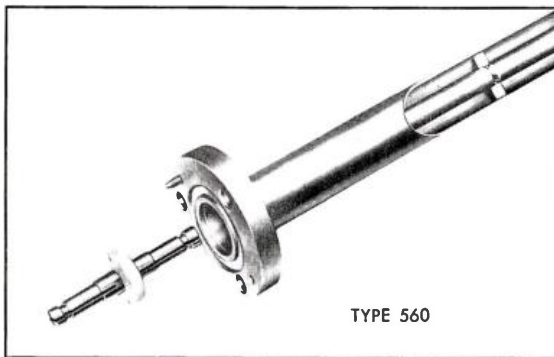
PHASE MEASURED

HeliAx assemblies can be produced and phase tested with fittings attached to assure stability of arrays. Phase adjustable fittings are available for field tuning cable lengths.

HIGH TEMPERATURE OR POWER

Teflon insulated cables are available in a number of sizes and impedances. Other higher temperature materials have been used, in conjunction with plated conductors.

7/8" RIGID TRANSMISSION LINES



Type 560, Rigid Copper Coaxial Transmission Line is supplied in standard 20 ft. sections with EIA flanges on both ends. All flanged sections include EIA inner connector, "O" ring gasket and hardware. Specify operating frequency when ordering lines.

Type 560-3, 20 ft. section flanged on one end.

Type 560-2, 20 ft. section without flanges.

Type 2760, special length flanged, specify length in inches.

Type 2760-21, special length without flanges, specify length in inches.

CHARACTERISTICS

Electrical

Characteristic Impedance, Ohms	50
Frequency Range, Gc	0-3.0
Velocity, Percent	99.8
Peak Power Rating, Kw*	43

Mechanical

Outer Conductor, Inches	0.875 O.D. x 0.785 I.D.
Inner Conductor, Inches	0.341 O.D. x 0.291 I.D.
Net Weight, Per Section, Pounds	13
Number of Sections in Crate	12
Shipping Weight, 12 Sections, Pounds	400
Shipping Dimensions, 12 Sections, Inches	14 x 13 x 245

ACCESSORIES

All flanged items are EIA standard and include inner connector, "O" ring, silicone grease and hardware kit.

ELBOW.
ANDREW 1060.
90° miter, brass construction with swivel flanges on both ends.
Part No. 099 0202 000

ADAPTOR.
ANDREW 2360.
Type LC (Female) mates with UG-154. Gas tight with vent plug.
Part No. 097 5959 000

SOFT SOLDER FIELD FLANGE KIT.
ANDREW 1560A.
Part No. 099 0433 000

GAS BARRIER.
ANDREW 1260A.
With fixed male connectors on both ends.
Part No. 099 0203 000

ADAPTOR.
ANDREW 2260A.
Type N (Female), mates with UG-21. Gas tight with vent plug.
Part No. 099 0037 000

INNER CONNECTOR.
ANDREW 18275.
50 ohm with Teflon anchor bead.
Part No. 099 0406 000

RIGID HANGER.
ANDREW 14328.
Use at top of tower. Mounts through 5/16" diameter hole or adaptors. Part No. 124 0032 316

SPRING HANGER.
ANDREW 13889.
Use at 100 ft. intervals. Mounts through 5/16" diameter hole or adaptors. Part No. 099 0512 000

ANGLE ADAPTOR.
ANDREW 13555.
A galvanized clamp for attaching hangers to angle tower members up to 3/8" thick.
Part No. 097 6124 000

FIXED FLANGE KIT.
ANDREW 18630.
Includes solder and flux.

SWIVEL FLANGE KIT.
ANDREW 18096.
Includes fixed and sliding rings, flux and solder.

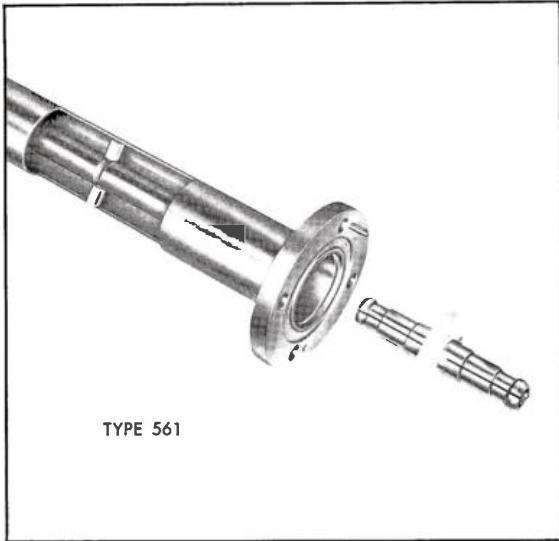
INNER CONNECTOR ADAPTOR.
ANDREW 4850.
50 ohm—51.5 ohm. Part No. 097 5958 000

SLIDING HANGER.
ANDREW 14327.
Use at 6 ft. intervals. Mounts through 5/16" diameter hole or adaptors. Part No. 099 0511 000

HORIZONTAL ANCHOR.
ANDREW 3900.
Attaches line to entry wall at angles up to 45°. Includes weatherproof cover.
Part No. 099 0513 000

ROUND MEMBER CLAMP.
ANDREW 13550.
Attaches hangers to tower members up to 3" diameter.
Part No. 097 6745 000

1 5/8" RIGID TRANSMISSION LINES



Type 561, Rigid Copper Transmission Line is supplied in standard 20 ft. sections with EIA flanges on both ends. All flanged sections include EIA inner connector, "O" ring gasket and hardware. Specify operating frequency when ordering lines.

Type 561-11, 20 ft. section flanged on one end.

Type 561-21, 20 ft. section without flanges.

Type 2761, special length flanged, specify length in inches.

Type 2761-11, special length with one flange, specify length in inches.

Type 2761-21, special length without flanges, specify length in inches.

CHARACTERISTICS

Electrical


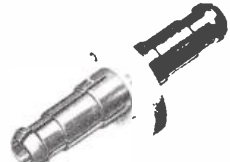







Characteristic Impedance, Ohms	50
Frequency Range, Gc	0.2.7
Velocity, Percent	99.8
Peak Power Rating, Kw	140

Mechanical

Outer Connector, Inches	1.625 O.D. x 1.527 I.D.
Inner Conductor, Inches	0.664 O.D. x 0.588 I.D.
Net Weight, per Section, Pounds	25
Number of Sections in Crate	6
Shipping Weight, 6 Sections, Pounds	290
Shipping Dimensions, 6 Sections, Inches	12 x 8 x 245

ACCESSORIES

All flanged items are EIA standard and include inner connector, "O" ring, silicone grease and hardware kit.

	<p>ELBOW. ANDREW 1061. 90° miter, brass construction flanged both ends. Part No. 097 5620 000</p>
	<p>ELBOW. ANDREW 1061-3. 90° miter, no flanges. Requires 4861A couplings.</p>
	<p>INNER CONNECTOR. ANDREW 15069. With teflon anchor bead. Part No. 126 0658 030</p>
	<p>ADAPTOR INNER CONNECTOR. ANDREW 4851. Connects 50 ohm to 51.5 ohm line. Part No. 097 5406 000</p>
	<p>GAS BARRIER. ANDREW 1261B. With fixed male connectors on both ends. Part No. 099 0238 000</p>
	<p>ADAPTOR. ANDREW 2261. Type N (Female), mates with Type UG21. Gas tight with vent plug. Part No. 097 7544 000</p>
	<p>ADAPTOR. ANDREW 2361. Type LC (Female), mates with UG 154. Gas tight with vent. plug. Part No. 097 5527 000</p>
	<p>REDUCER. ANDREW 1861. 3 1/8" EIA to 1 1/2" EIA. Has captivated 3/8" connector. Part No. 097 6050 000</p>
	<p>REDUCER. ANDREW 1860. 1 1/2" EIA to 7/8" EIA. Part No. 097 5405 000</p>

HANGERS



END TERMINAL.
ANDREW 2061.
For strap connection. Gas tight with vent plug.
Part No. 097 7042 000



FLEXIBLE SECTION.
ANDREW 20695.
Accommodates vibration and angles up to 30 degrees. Maximum offset is 1/4". Length 10".
Part No. 099 0434 000



MALE TO MALE ADAPTOR.
ANDREW 30452.
For joining 1 3/8" components with captivated inner connectors. Length 6".



SOFT SOLDER FIELD FLANGE.
ANDREW 1561A.
Consists of solder sleeve with fixed ring and sliding ring.
Part No. 097 6351 000



UNPRESSURIZED STRAIGHT COUPLING.
ANDREW 4861A.
Connects unflanged lines and fittings. Includes inner connector and clamps.
Part No. 099 0437 000

FIXED FLANGE KIT.
ANDREW 18631.
Consists of flange, alignment pin, silver solder ring and flux.

SWIVEL FLANGE KIT.
ANDREW 18041.
Consists of fixed ring, sliding ring, silver solder ring, alignment pin and flux. Part No. 124 0032 172

HARDWARE KIT.
ANDREW 11381-2.
Consists of four hex head bolts, nuts and lockwashers, for one connection.

"O" RING GASKET.
ANDREW 10683-2.
For 1 3/8" EIA flange.
Part No. 124 0032 173



RIGID HANGER.
ANDREW 13924.
Use one for every 300 ft. of line. Mounts through 3/16" diameter hole or adaptors.
Part No. 097 5969 000



SLIDING HANGER.
ANDREW 14378.
Use at 10 ft. intervals. Mounts through 3/16" hole or adaptors.
Part No. 097 5972 000



INSULATED SLIDING HANGER.
ANDREW 14442.
Similar to 14378 except includes insulator 14063 and hardware.



SPRING HANGER.
ANDREW 14379.
Use at 50 ft. intervals. Accommodates line expansion. Mounts through 3/16" diameter hole or adaptors.
Part No. 124 0032 189



INSULATED SPRING HANGER.
ANDREW 14441.
Similar to 14379 except includes insulator 14063 and hardware.
Part No. 124 0032 190



LATERAL BRACE.
ANDREW 3921.
For bottom of vertical run. Prevents lateral motion. Includes rubber cushion and end fittings for 1/2" conduit.
Part No. 124 0032 187



ROUND MEMBER CLAMP.
ANDREW 13550.
Attaches hanger to tower members up to 3" diameter.
Part No. 097 6745 000



ANGLE ADAPTOR.
ANDREW 13555.
Attaches hangers to angle tower members up to 3/8" thick.
Part No. 097 6124 000

EXTENSION SPACER.
ANDREW 13552.
Is used to space noninsulated line hangers the same distance from tower as insulated hangers.
Part No. 097 6744 000

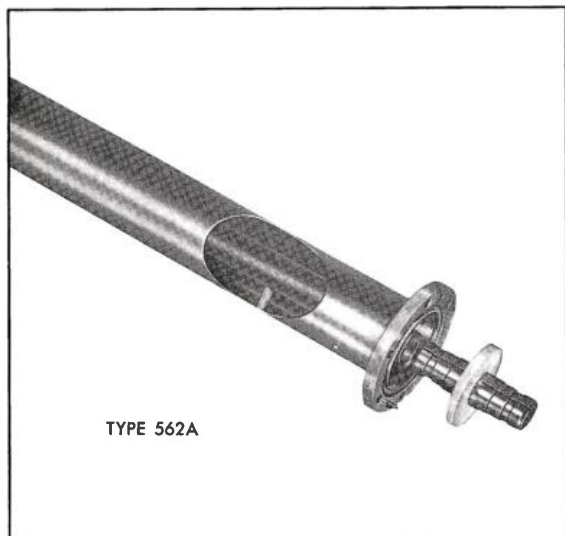
HORIZONTAL HANGER.
ANDREW 3911.
Permits axial movement caused by expansion. Includes clamps and hardware. Part No. 097 7535 000

HORIZONTAL ANCHOR.
ANDREW 3901.
Attaches line to entry wall at angles up to 45°. Includes weatherproof cover. Part No. 097 5968 000

GROUND CLAMP.
ANDREW 12430-1.
For grounding insulated line to tower.
Part No. 099 0509 000

SPARE INSULATOR.
ANDREW 14063.
No hardware included. Shown as part of Type 14441 above.

3 1/8" RIGID TRANSMISSION LINES



TYPE 562A

Type 562A Rigid Copper Transmission Line is supplied in standard 20 ft. sections with EIA flanges on both ends. All flanged sections include EIA inner connector, "O" ring gasket and hardware. Standard 19' 8" lengths are available for special frequency applications. Specify frequency or channel when ordering lines.

Connectors included with straight sections are the coated type as described below.

Type 562A-11, 20 ft. section flanged on one end.

Type 562A-21, 20 ft. section without flanges.

Type 2762A-1, special length flanged, specify length in inches.

Type 2762A-11, special length with one flange, specify length in inches.

Type 2762A-21, special length without flanges, specify length in inches.

CHARACTERISTICS

Electrical

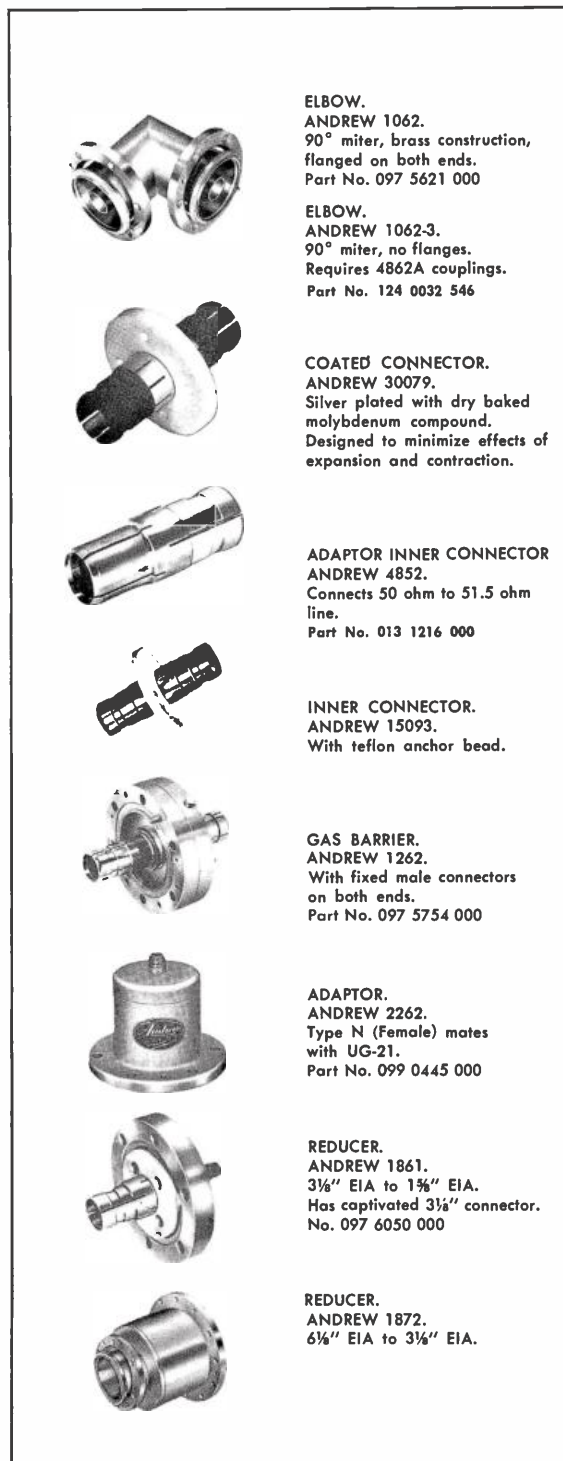
Characteristic Impedance, Ohms	50
Frequency Range, Gc	0-1.6
Velocity, Percent	99.8
Peak Power Rating, Kw	400

Mechanical

Outer Connector, Inches	3.125 O.D. x 3.027 I.D.
Inner Conductor, Inches	1.315 O.D. x 1.231 I.D.
Net Weight, per Section, Pounds	55
Number of Sections in Crate	4
Shipping Weight, 4 Sections, Pounds	425
Shipping Dimensions, 4 Sections, Inches	13 x 14 x 245

ACCESSORIES

All flanged items are EIA standard and include inner connector, "O" ring, silicone grease and hardware kit.



ELBOW.
ANDREW 1062.
90° miter, brass construction,
flanged on both ends.
Part No. 097 5621 000

ELBOW.
ANDREW 1062-3.
90° miter, no flanges.
Requires 4862A couplings.
Part No. 124 0032 546

COATED CONNECTOR.
ANDREW 30079.
Silver plated with dry baked
molybdenum compound.
Designed to minimize effects of
expansion and contraction.

ADAPTOR INNER CONNECTOR
ANDREW 4852.
Connects 50 ohm to 51.5 ohm
line.
Part No. 013 1216 000

INNER CONNECTOR.
ANDREW 15093.
With teflon anchor bead.

GAS BARRIER.
ANDREW 1262.
With fixed male connectors
on both ends.
Part No. 097 5754 000

ADAPTOR.
ANDREW 2262.
Type N (Female) mates
with UG-21.
Part No. 099 0445 000

REDUCER.
ANDREW 1861.
3 1/8" EIA to 1 3/8" EIA.
Has captivated 3 1/8" connector.
No. 097 6050 000

REDUCER.
ANDREW 1872.
6 1/4" EIA to 3 1/4" EIA.

HANGERS



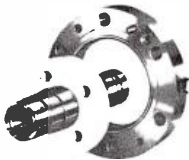
END TERMINAL.
ANDREW 2062.
For strap connection. Gas tight with vent plug.
Part No. 099 0444 000



BREAKAWAY SECTION.
ANDREW 2962.
Permits easy opening of transmission line run. Pressure tight when closed. Length, 19 $\frac{1}{8}$ ".
Part No. 099 0442 000



FLEXIBLE SECTION.
ANDREW 19209B.
Accommodates vibration and angles up to 30 degrees. Maximum offset is 1/2". Length, 18".
Part No. 099 0441 000



GAS INLET COUPLING.
ANDREW 1362.
Has 1/8" inlet with pipe plug.
Part No. 099 0446 000



MALE TO MALE ADAPTOR.
ANDREW 23187.
Joins two components having captivated inner connectors. Length 6".
Part No. 097 7262 000



UNGASSED COUPLING.
ANDREW 4862.
Connect sections of unflanged line. Includes special connector and clamps.
Part No. 099 0443 000

SOFT SOLDER FIELD FLANGE KIT.
ANDREW 1562A.
Includes swivel flange with soft solder sleeve.

"O" RING GASKET.
ANDREW 10683-3.
For 3 $\frac{1}{8}$ " EIA flange.

SWIVEL FLANGE KIT.
ANDREW 18200.
Includes fixed, sliding and silver solder rings. Alignment pin and flux.

FIXED FLANGE KIT.
ANDREW 15840.
Consists of flange solder ring alignment pin and flux.

HARDWARE KIT.
ANDREW 11381-3.
Consists of 6 bolts, nuts and lockwashers, for one connection.



RIGID HANGER.
ANDREW 13927.
Use one for every 300 feet of line. Mounts through 3/8" diameter hole or adaptors.
Part No. 097 7018 000



SPRING HANGER.
ANDREW 13925.
Use at 10 ft. intervals. Accommodates line expansion. Mounts through 3/8" diameter hole or adaptors.
Part No. 097 6122 000



INSULATED SPRING HANGER.
ANDREW 13926.
Similar to 13925 except includes insulator 14063 and hardware.
Part No. 097 6768 000



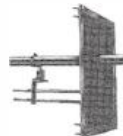
GROUND CLAMP.
ANDREW 12431.
For grounding insulated line to tower.
Part No. 099 0503 000



LATERAL BRACE.
ANDREW 3922.
For bottom of vertical run. Includes rubber cushion and end fittings for 1/2" conduit.
Part No. 099 0504 000



HORIZONTAL HANGER.
ANDREW 3912.
Permits axial movement caused by expansion. Includes clamps and hardware.
Part No 099 0505 000



HORIZONTAL ANCHOR.
ANDREW 3902.
Attaches line to entry wall at angles up to 45°. Includes weatherproof cover.
Part No. 099 9506 000



ANGLE ADAPTOR.
ANDREW 13555.
Attaches hangers to angle tower members up to 3/8" thickness.
Part No. 097 6124 000

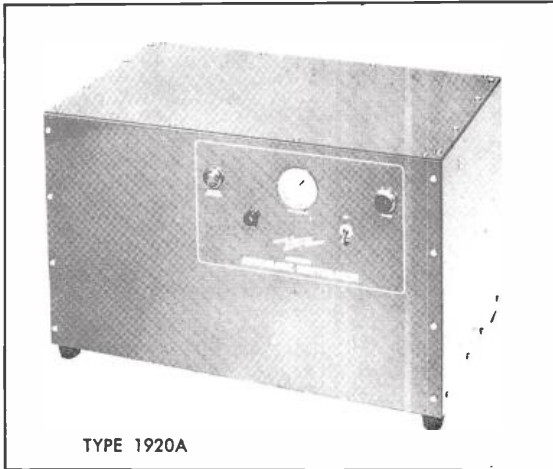


ROUND MEMBER CLAMP.
ANDREW 13550.
Attaches hanger to tower members up to 3" diameter.
Part No. 097 6745 000

SPARE INSULATOR.
ANDREW 14063.
No hardware included. Shown as part of Type 13926 above. Part No. 097 6746 000

EXTENSION SPACER.
ANDREW 13552.
Used to space non-insulated line hangers the same distance from tower as insulated hangers.
Part No. 097 6744 000

HEATLESS AUTOMATIC DEHYDRATOR



TYPE 1920A

CHARACTERISTICS

Electrical

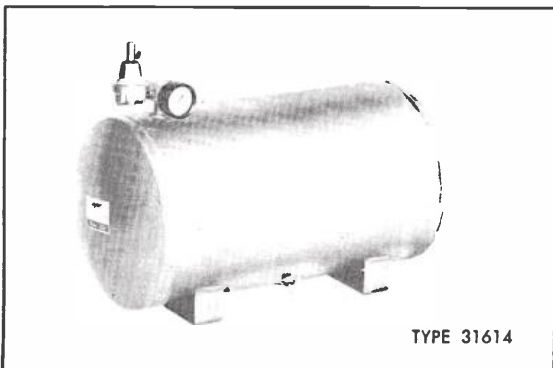
Power Consumption	600 watts
Fuse	20 amps
Power Cord	7 ft., 3 conductors
Safety	Grounded Chassis

Mechanical

Line Termination	1/8" M.P.T.
Internal Operating Pressure	60 psig
Output	1 CFM @ 8 psig.
Air Line	20 feet, 3/8" O.D. polytubing
Ambient Inlet Temp.	0° — 120° F
Ambient Humidity	95%
Outlet Dew Point	Below — 37° F
Net Weight, Pounds.	80
Dimensions	Height — 15 3/8" Width — 24" Depth — 14 1/4"

Part No. 124 0032 273

REGULATING TANK



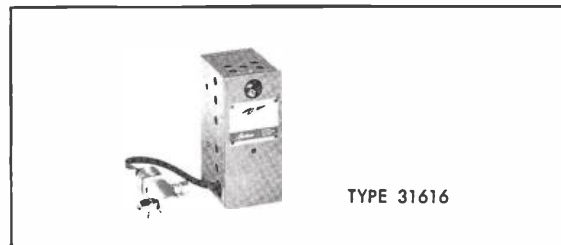
TYPE 31614

Type 31614 Regulating Tank Assembly is used with the 1920 series dehydrators for pressurization of the smaller sizes of Heliax (1/2" and below) and microwave waveguide.

The assembly consists of a 10 gal. (approximately 1.5 cu. ft.) tank and regulator which may be adjusted down to 1.5 psig output pressure along with all necessary fittings and tubing to allow connection of the unit between the dehydrator and transmission line or waveguide.

The regulator tank assembly prevents excessive cycling when pressurizing small diameter cables. It also provides a convenient means of reducing the output pressure to the 3 psig recommended for waveguide use.

HUMIDITY SENSOR

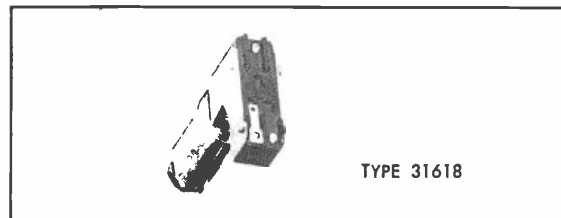


TYPE 31616

Type 31615 Humidity Sensor is designed to activate remote indicators on alarms at the presence of moisture in the output of dehydrators. The unit is factory installed in any of the 1920 series dehydrators and is set for specific values of humidity. The leads are brought to a terminal block installed in the dehydrator for the external connection.

Type 31616 is the basic unit only for field installation in existing units or systems.

PRESSURE SENSOR



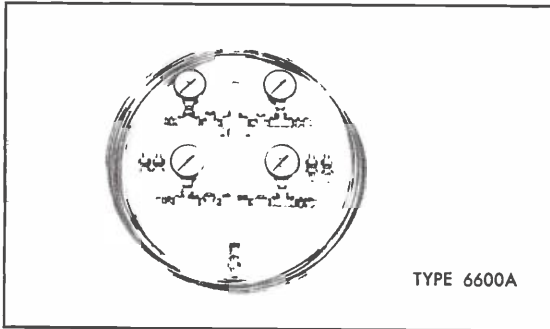
TYPE 31618

Type 31617 Pressure Sensor is used as either a high or low pressure indicator. SPDT contacts switch at any pre-set pressure in the 0 to 30 psig range to activate remote indicators or alarms. Singly the units provide either low or high pressure indications; in pairs both can be indicated. The sensors are factory installed in any of the 1920 series dehydrators, pre-set for specific pres-

sure levels and wired to terminal blocks for external connections.

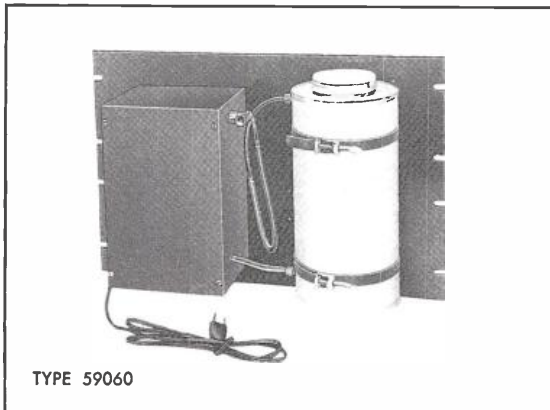
Type 31618 is the basic sensor unit only for field installation in existing units or systems.

GAS DISTRIBUTION MANIFOLD



Type 6600A Gas Distribution Manifold includes pressure gauges, needle valves, all necessary fittings and 15 feet of $\frac{3}{8}$ " polyethylene tubing for each outlet. Specify number of outlets required.

LOW PRESSURE DEHYDRATOR



Type 59060, Low Pressure Dehydrator is ideal for pressurizing microwave waveguide systems or small air dielectric cables. This dehydrator maintains a constant pressure of dry air inside the waveguide or coaxial cable.

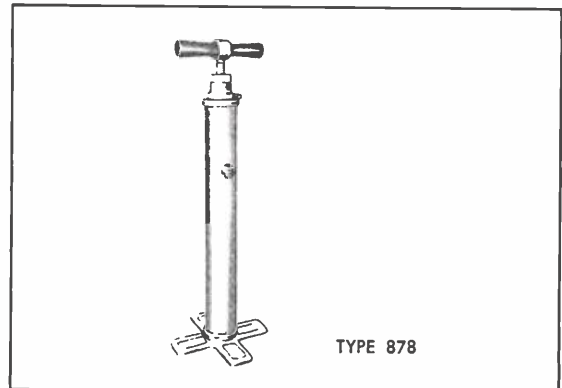
High reliability is insured by minimizing the number of component parts. The entire unit is assembled on a panel, for easy mounting in a standard rack.

Type 59060 will maintain dry air pressure inside a nominally pressure tight waveguide or coaxial cable system for several months before reactivation or replacement of the desiccant is required. The desiccant condition is shown by the color indicator on the front panel.

CHARACTERISTICS

Output	2.0 psi maximum pressure
Drying Agent	sova beads, 5 pounds
Output Connection	$\frac{1}{8}$ " female pipe thread
Power Input	115 volts, 60 cycles, 5 watts
Electrical Connection	Terminal board
Weight	10 pounds
Mounting	standard 19" rack
Height	12 $\frac{1}{4}$ " inches
Capacity	$\frac{3}{8}$ " Heliax 50 feet WR-137 Waveguide 50 feet

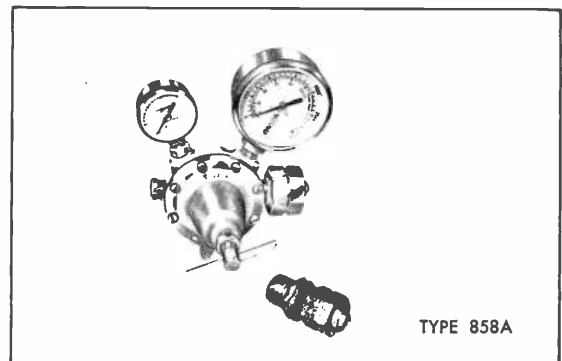
DRY AIR HAND PUMP



Type 878 Dry Aid Hand Pump pressurizes up to 1,000 ft. of $\frac{7}{8}$ " cable and up to 250 ft. of $\frac{15}{8}$ " line. Supplied with 1 lb. of silica gel and 8 feet of hose. Weight: Net 10.5 lbs., Gross 12 lbs.

Part No. 097 5960 000

NITROGEN TANK FITTINGS



Type 858A Nitrogen Tank Fittings includes a pressure regulator, high and low pressure gauges and 10 feet of $\frac{3}{8}$ " O.D. polyethylene tubing with fittings to fit $\frac{1}{8}$ " pipe threads and adaptors to nitrogen tanks.

Part No. 124 0032 159

PRESSURIZATION FITTINGS AND ACCESSORIES



GAS INLET VALVE
ANDREW 3017
 Has 1/8" male pipe thread.
 Part No. 013 0365 000



PRESSURE GAUGE
ANDREW 3500
 Reads 0-20 psi and has 1/8" male pipe thread. Indoor use only.
 Part No. 013 0366 000



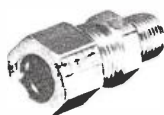
RELEASE VALVE
ANDREW 3027
 Has 1/8" male pipe thread on one end.
 Part No. 013 0368 000



RELEASE VALVE
ANDREW 4944
 Has 1/8" male pipe threads on both ends.
 Part No. 013 0728 000



RELEASE VALVE
ANDREW 4949
 Has 1/8" pipe threads, male one end, female, other end.
 Part No. 013 0730 000



MALE CONNECTOR
ANDREW 31680-1
 For 3/8" poly tubing, has 1/8" male pipe threads one end.



MALE CONNECTOR
ANDREW 31680-2
 For 3/8" poly tubing, has 1/4" male pipe threads one end.



MALE BRANCH TEE
ANDREW 31680-3
 For 3/8" poly tubing, has 1/4" male pipe threads on one outlet.



MALE RUN TEE
ANDREW 31680-5
 For 3/8" poly tubing, has 1/4" male pipe threads on one outlet.



ELBOW
ANDREW 25436-4
 For 3/8" poly tubing, has 1/4" male pipe threads one end.

PIPE TEES

ANDREW 3016 Part No. 013 0364 000
 Has 1/8" female pipe threads each outlet.

ANDREW 3022 Part No. 013 0701 000
 Has one male and 2 female 1/8" pipe thread outlets.

PIPE PLUG

ANDREW 3018 Part No. 013 0367 000
 Has 1/8" male pipe thread.

PIPE NIPPLES

Threaded entire length.

ANDREW 3026 Part No. 013 0703 000
 1/8" male pipe threads.

ANDREW 25436-12
 1/4" male pipe threads.

THREAD LUBRICANT

ANDREW 3012 Part No. 013 0272 000
 4 cc. tube.

VINYL TAPE

ANDREW 9905-18
 20 ft. by 3/4" wide.

SPARE HOSE ASSEMBLY

ANDREW 10195
 Is 7 ft. long for Type 878 pump.

SILICA GEL REFILL

ANDREW 210 Part No. 013 0439 000
 One pound package.

POLYETHYLENE TUBING

ANDREW 25435
 3/8" diameter.

MOUNTING STRAP

ANDREW 31712
 For 3/8" poly tubing.

COPPER TUBING

ANDREW 10741-2
 1/4" diameter, soft temper.

COUPLING

ANDREW 10994-4
 For 1/4" tubing, has flared fitting on one end and 1/8" male pipe thread on the other end.

FLARE COUPLING

ANDREW 10994-2
 For 1/4" tubing.

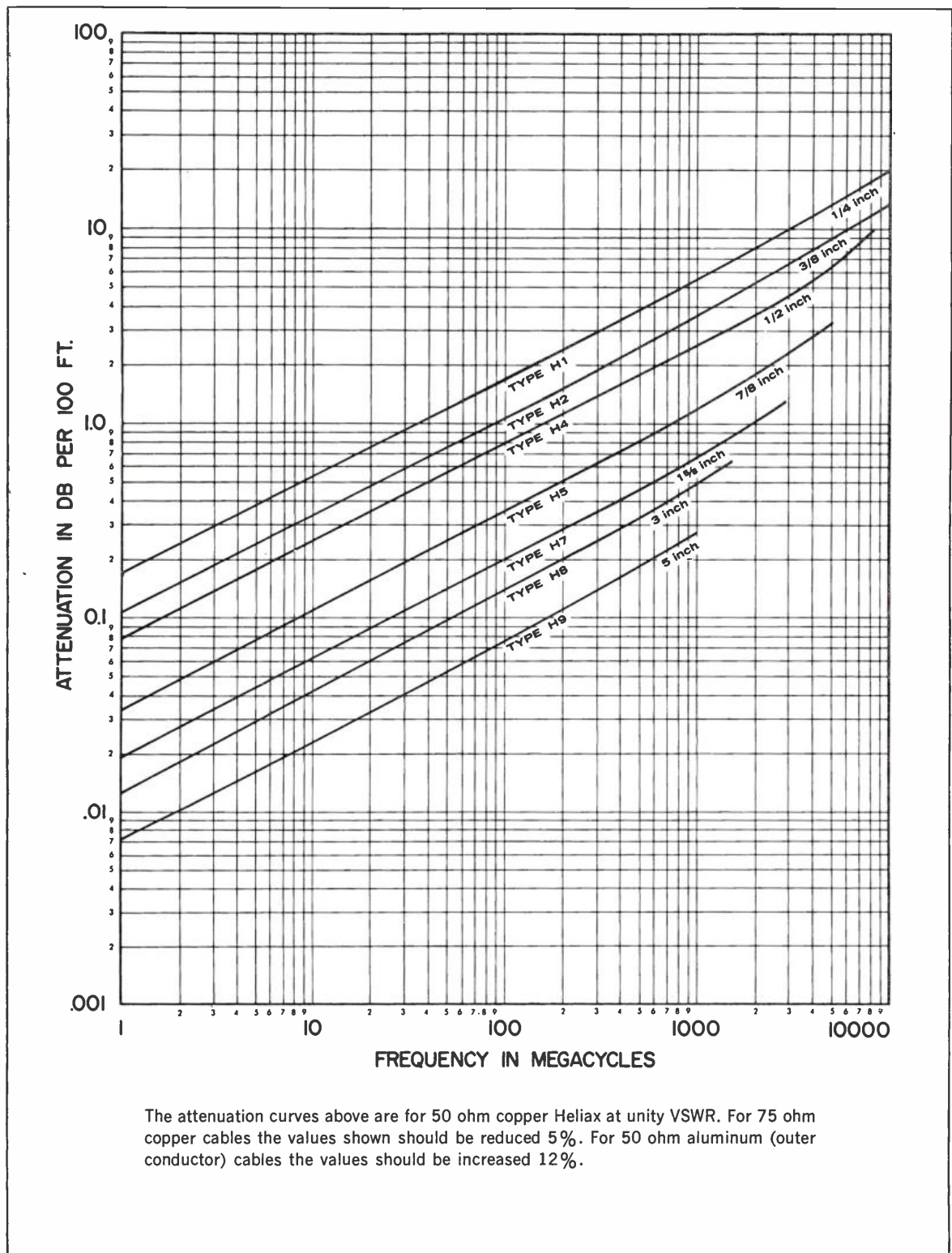
SPLICING SLEEVE

ANDREW 12129
 Solders to 1/4" tubing.

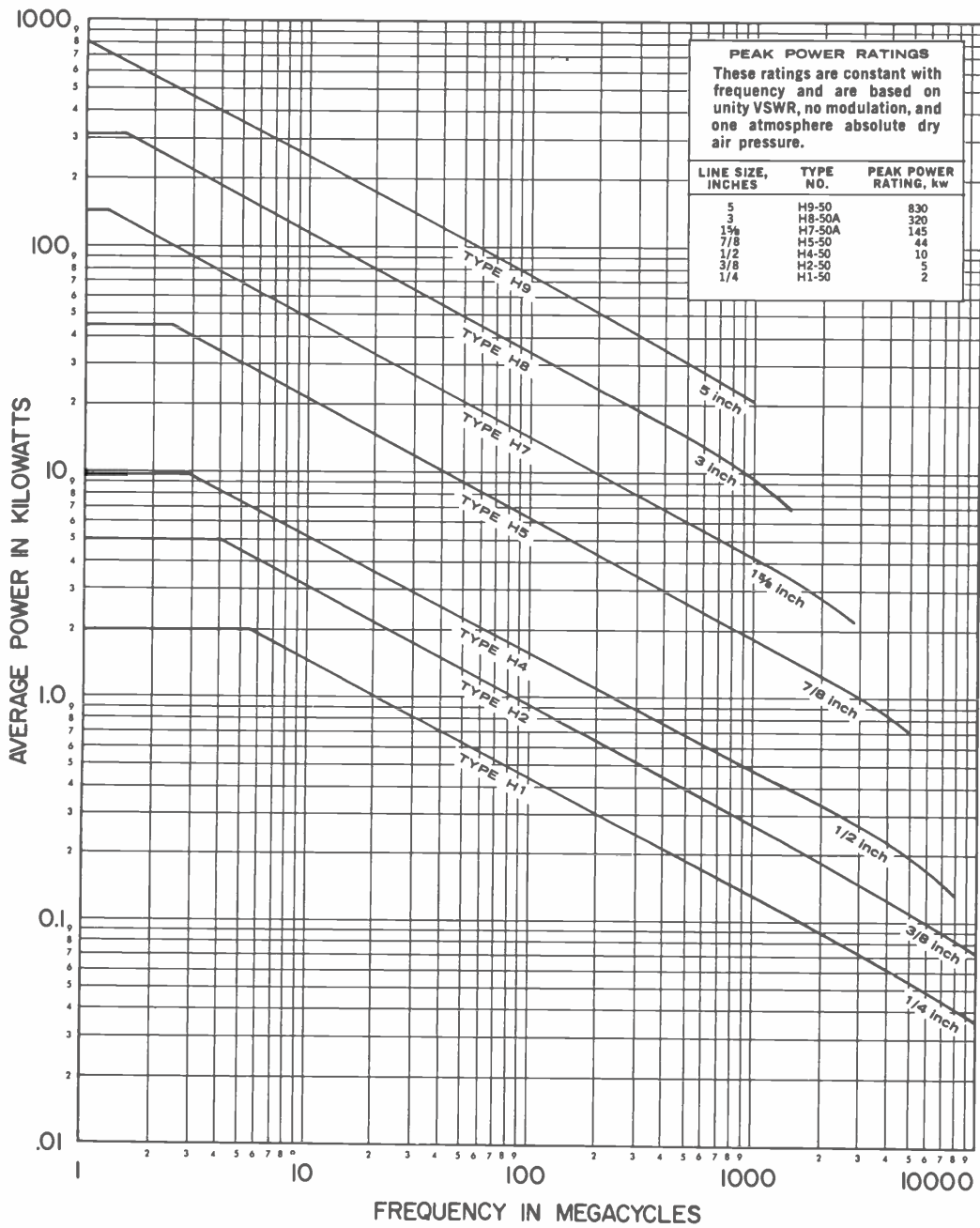
COUPLING

ANDREW 4947 Part No. 013 0729 000
 Solders to 1/4" tubing, has 1/8" male pipe thread.

ATTENUATION — HELIAX/AIR DIELECTRIC CABLES

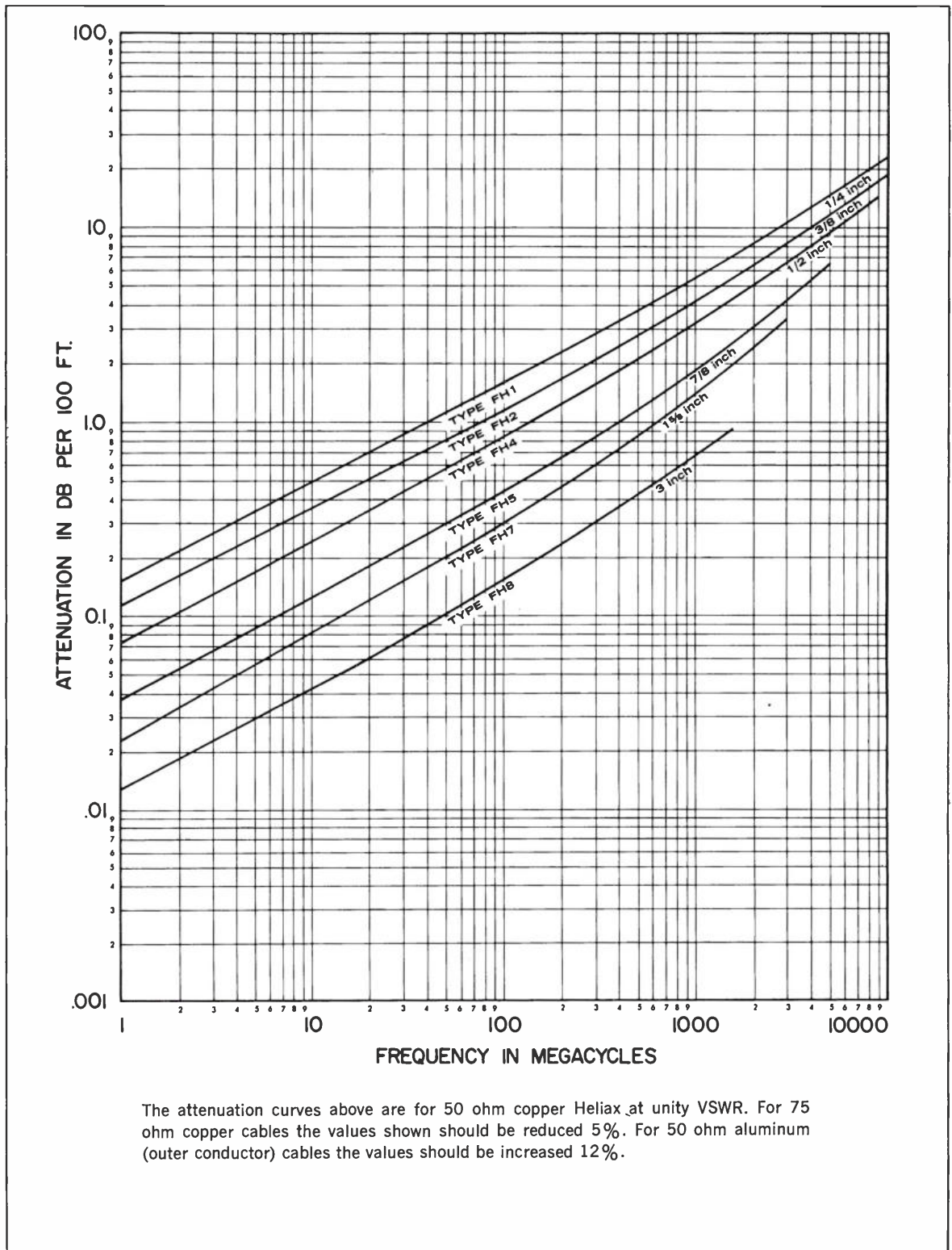


POWER RATING — HELIAX/AIR DIELECTRIC CABLES

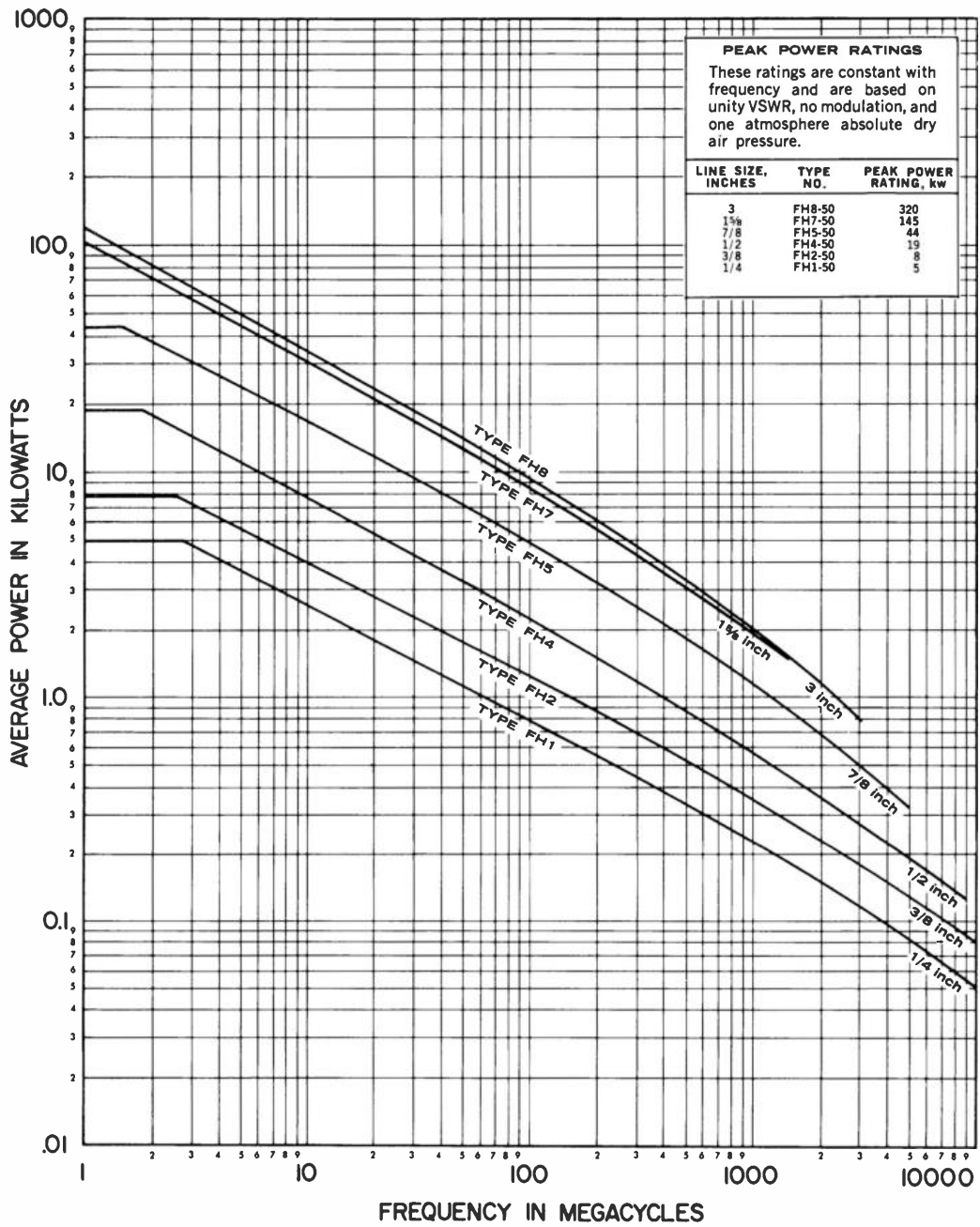


The average power ratings shown above are for 50 ohm copper Helix and are based on unity VSWR and a maximum inner conductor temperature of 212°F at an ambient temperature of 104°F. For 75 ohm copper cables the values shown should be reduced 30%. For 50 ohm aluminum (outer conductor) cables the values should be reduced 10%. For Teflon insulated cables, average power ratings should be increased by 35%.

ATTENUATION— HELIAX/FOAM DIELECTRIC CABLES

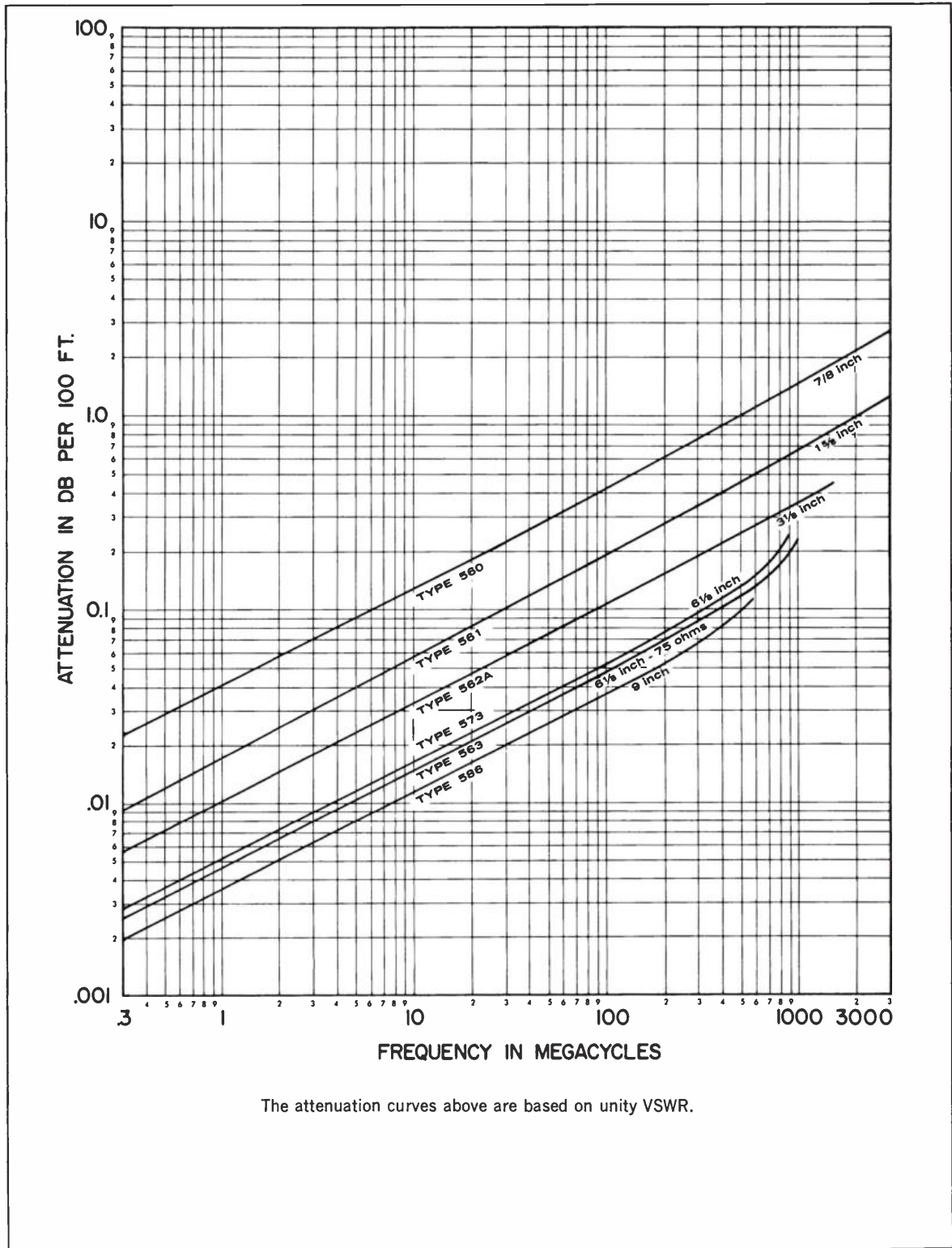


POWER RATING — HELIAX/FOAM DIELECTRIC CABLES

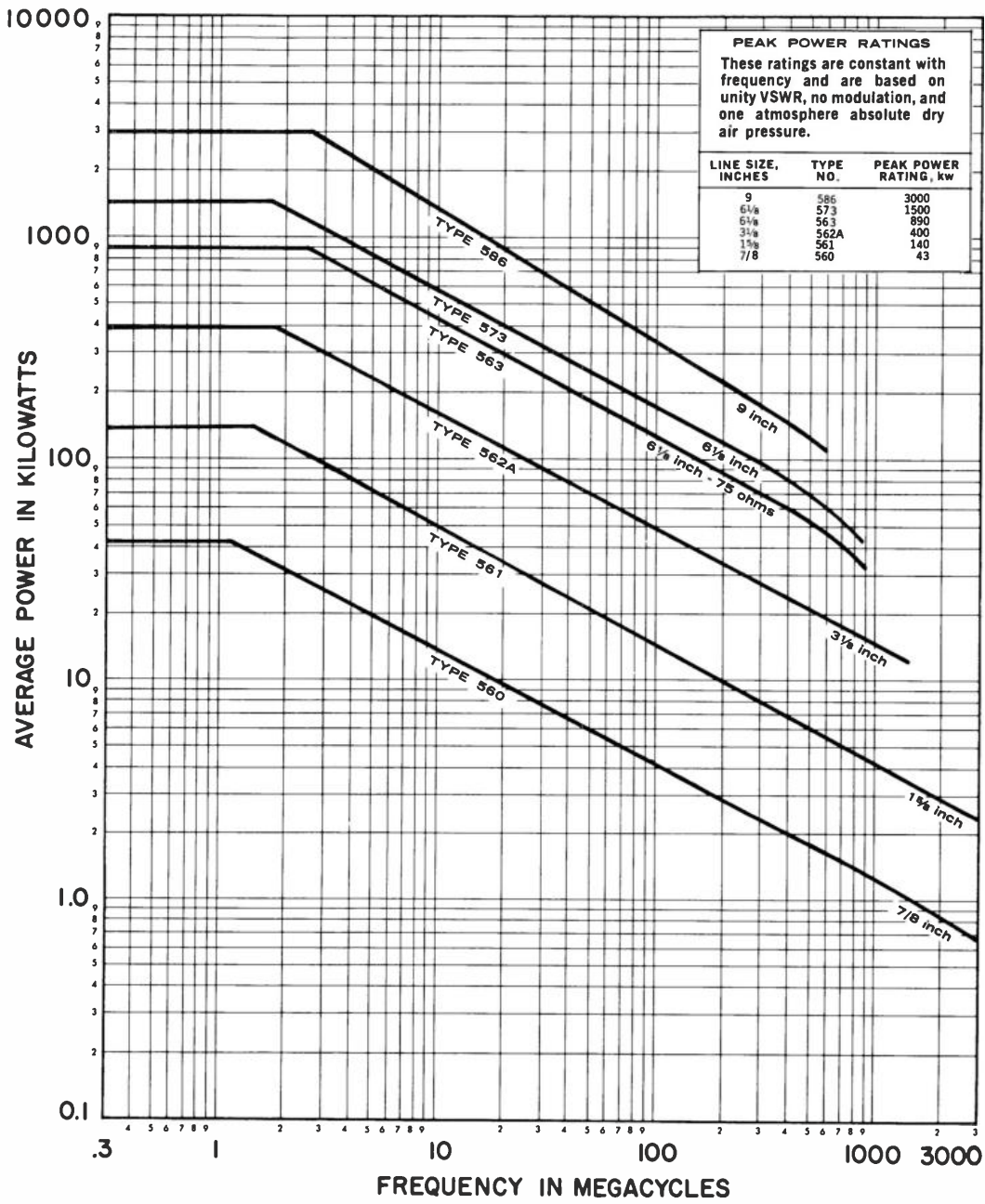


The average power ratings shown above are for 50 ohm copper Heliax and are based on unity VSWR and a maximum inner conductor temperature of 175°F at an ambient temperature of 104°F. For 75 ohm copper cables the values shown should be reduced 30%. For 50 ohm aluminum (outer conductor) cables the values should be reduced 10%.

ATTENUATION — RIGID TRANSMISSION LINES

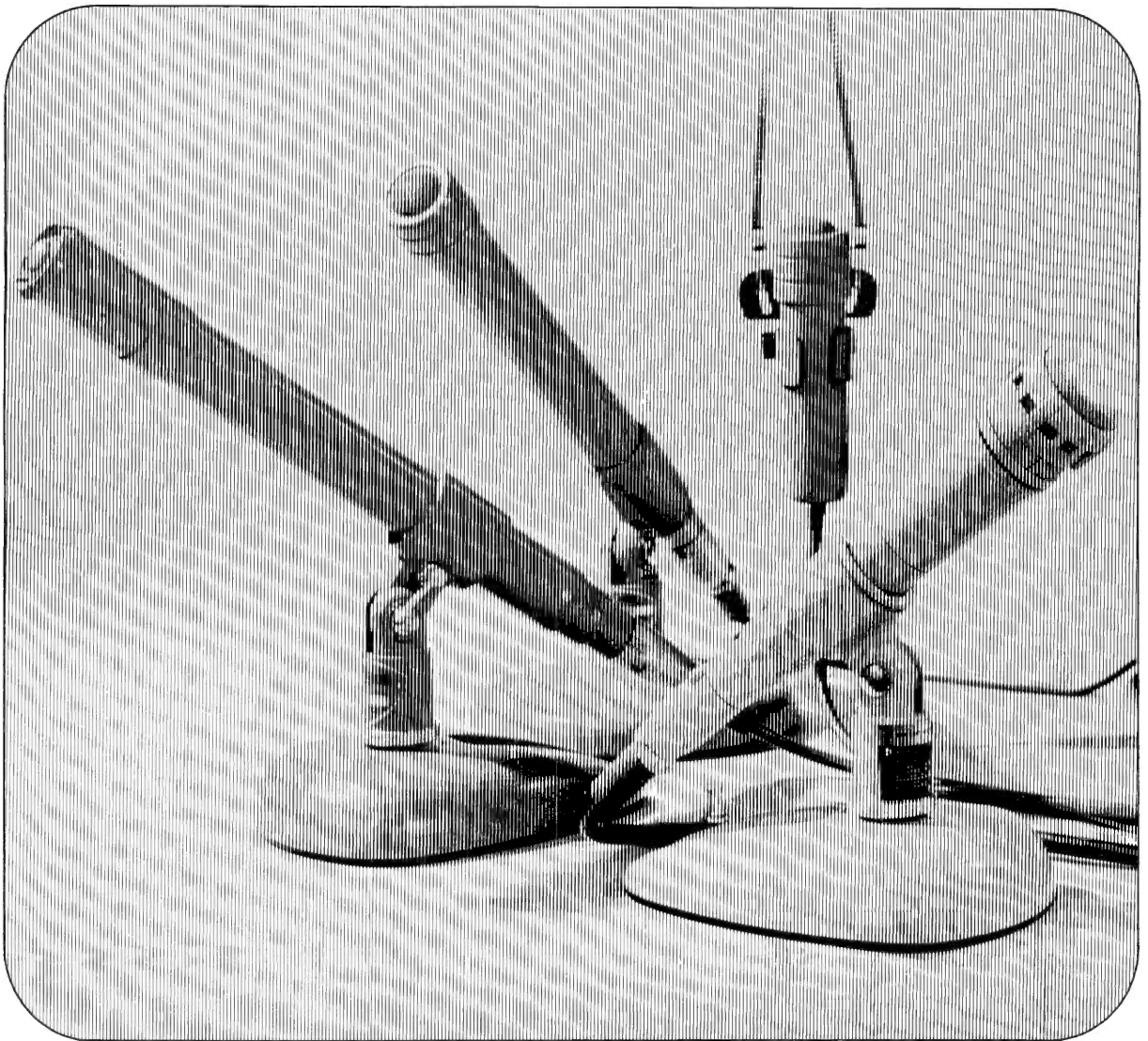


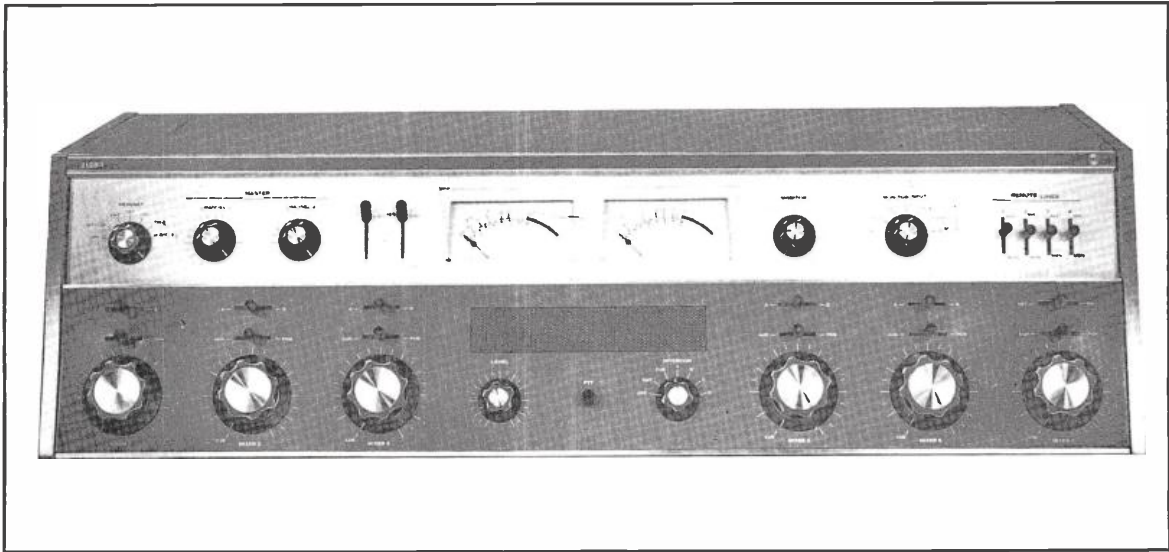
POWER RATING — RIGID TRANSMISSION LINES



The average power ratings shown above are based on unity VSWR and a maximum inner conductor temperature of 216°F at an ambient temperature of 104°F.

Audio Facilities





COLLINS 212S-1 STEREO SPEECH INPUT CONSOLE

The Collins 212S-1 Speech Input Console features new concepts and techniques to offer broadcasters, recording studios and television studios quality performance with versatility and adaptability.

It's the newest switching technique in speech input consoles. It's noiseless. The switch is made of a photoconductive cell and a lamp in a sealed container. The cell shows a very low resistance when the lamp is on. This makes a switch with no contacts to wear, bounce or become contaminated.

A similar device for level control of the program material is also used. The photoconductive cell responds to variable voltages from a potentiometer to control attenuation in the signal path. This control eliminates maintenance time normally required for cleaning and relubrication of mixer controls.

Collins' new 212S-1 was designed primarily for stereo, but it can be used for monaural, too. It provides monaural output simultaneously on both program channels from a single input, or you can handle completely separate monaural material from inputs through two program outputs. One switch controls this function.

The fact that these photoconductive devices can be remotely controlled by dc voltages makes it possible to mount the switching and attenuating components where they are needed rather than on the front panel. This allows complete physical and electrical separation of the two program channels and elimination of all program audio wiring and components from the front panel.

Like all other Collins broadcast equipment, the 212S-1 is easy to install and maintain. Simple removal of a protective cover exposes the input/output terminals on the deck. Cable access ports through this deck permit an installation that's free of the "haywire look"! Removal

of another protective cover exposes the wiring to the card box receptacles. And inspection of the cards can be made simply by lifting the hinged card box to the vertical position. An extender card is furnished for troubleshooting at the component level with the cards connected to the rest of the console.

The solid-state amplifiers and the control elements are mounted on the plug-in cards which fit in two card boxes, one box for each program channel. The card box provides space and receptacles for six high-level or low-level pre-amplifiers, one program amplifier, one monitor amplifier and one switch matrix for remote line input switching. Each high-level and low-level card has two balanced inputs selectable from the front panel. Stable, high-quality components and circuits are used throughout the amplifiers to assure reliability and fidelity.

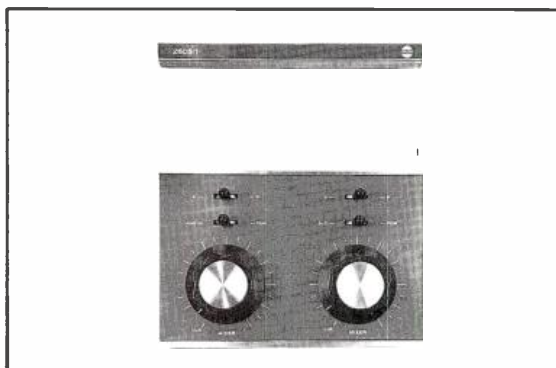
The VU meters may be switched to the channels or to external lines. Switching and terminals are also provided for the connection of the Collins type 900C-1 FM Stereo Modulation Monitor outputs to the inputs of monitor amplifiers.

The 212S-1 also includes an intercom amplifier that can be switched to one of four stations or to a selected remote line. The speaker is also used for the intercom microphone. The intercom amplifier can be used as the amplifier for the signals on the cue bus by setting the intercom switch at the cue position. A reverse cue amplifier is also provided so that program material may be sent back to a remote site preceding the start of a remote program.

Switching for warning light and speaker muting is provided by a relay unit with a self-contained 12-volt dc power supply. The power supply is used to power the

lamps which illuminate the VU meters. Four relays are included in the unit.

A Dual Channel version of the 212S-1 is available without stereo. It has stereo capability, and if desired later, the stereo configuration can be added by the simple addition of cards.



260S-1 MIXER ADD-ON UNITS

You can add input capability to the 212S-1 Speech Input Console with the addition of one or more Collins 260S-1 Mixer Add-on Units. You can add two complete stereo input channels for microphones, turntables or tape recorders. Each input amplifier has two selectable inputs. Level and switching control on the 260S-1 units are performed the same as on the 212S-1. The add-on units accommodate either four pre-amplifiers or four high-level input cards, or two pre-amplifiers and two high-level cards — depending upon your needs or sources.

SPECIFICATIONS

Maximum Number of Channels: Five stereo inputs from local sources plus one of four remote stereo inputs or one network stereo input. Each local stereo input may have two selectable sources. With each Add-On Unit 260S-1, two additional local stereo inputs may be used, each having two selectable sources.

Power Source: 115 v or 230 v AC ±10%, 50-60 cps, single phase.

Input Impedance: Lower level — 30/150/250/600 ohms, balanced or unbalanced. Net/Remote — 600 ohms balanced. Medium level — 600 ohms balanced or unbalanced.

Output Impedance: Line — 600 ohms. 150 ohms on special order. Monitor — 8 ohms.

Input Level: Low — -55 dbm nominal. Medium — -10 dbm. Net/Remote — +8 dbm.

Gain: Low level to program output at least 100 db.

Output Level: Program — +8 dbm. Monitor — 10 watts.

Frequency Response: ±1 db, 30-15,000 cps (ref. 1 kc) on both program and monitor outputs.

Harmonic Distortion: Less than 1% at max. program level or max. monitor level.

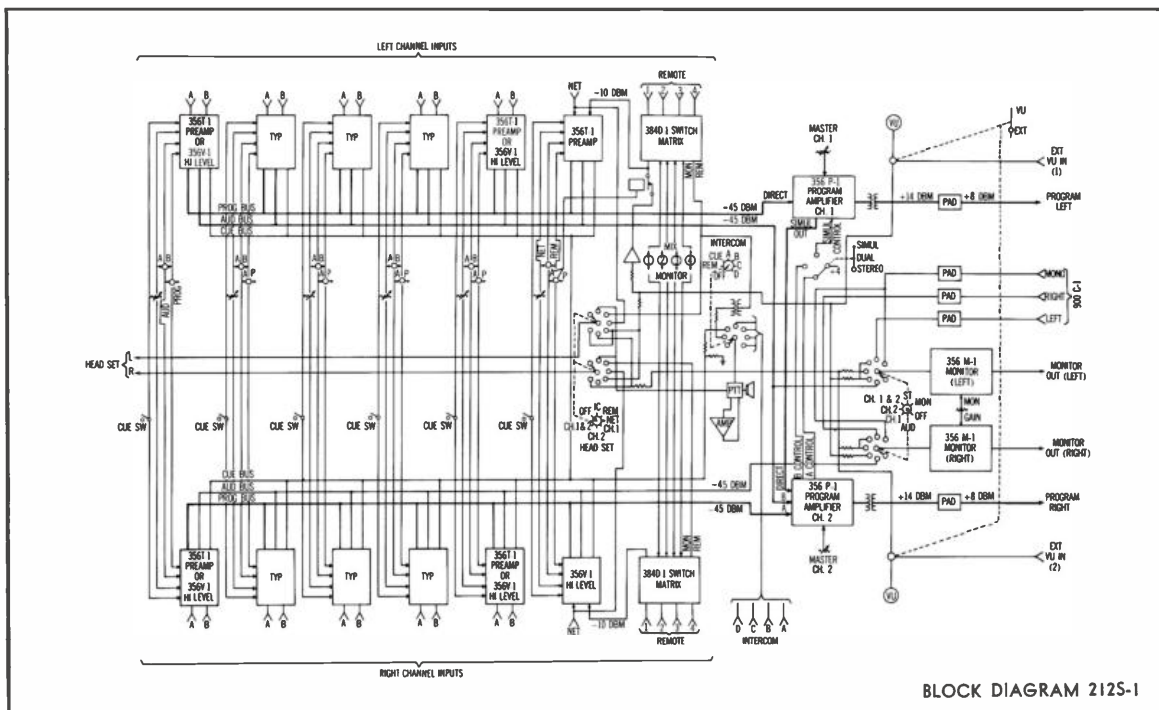
Noise: -120 dbm or less equivalent input noise.

Size: 10-1/8" (25.7 cm.) High × 37-3/16" (94.5 cm.) Wide × 18-3/8" (46.7 cm.) Deep.

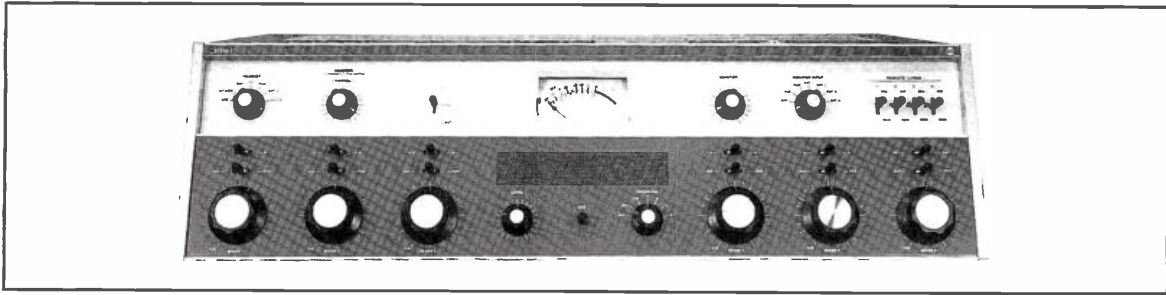
Weight: 114 lbs. (51.71 kg.)

Color: White and dark gray front panel; terra cotta accent strip. Light gray cabinet.

Part No. 522 3880 001 (212S-1)
 Part No. 522 3880 710 (Dual Channel)
 Part No. 522 3882 001 (260S-1)



BLOCK DIAGRAM 212S-1



COLLINS 212M-1 SPEECH INPUT CONSOLE

The 212M-1 is the monaural equivalent of the 212S-1 Stereo Console. Utilizing the source modules in a lesser quantity, the broadcaster can realize the same reliability, fidelity and operational features as described above by the 212S-1.

SPECIFICATIONS

Maximum Number of Channels: Five mono inputs from local sources plus one of four remote inputs or one network input. Each local input may have two selectable sources. With each Add-On Unit 260A-1, two additional local inputs may be used, each having two selectable sources.

Power Source: 115 v or 230 v AC $\pm 10\%$, 50-60 cps. single phase.

Input Impedance: Low level — 30/150/250/600 ohms, balanced or unbalanced. Net/Remote — 600 ohms balanced. Medium level — 600 ohms balanced or unbalanced.

Output Impedance: Line — 600 ohms. 150 ohms on special order. Monitor — 8 ohms.

Input Level: Low — -55 dbm nominal. Medium — -10 dbm. Net/Remote — +8 dbm.

Gain: Low level to program output at least 100 db.

Output Level: Program — +8 dbm. Monitor — 10 watts.

Frequency Response: ± 1 db, 30-15,000 cps (ref. 1 kc) on both program and monitor outputs.

Harmonic Distortion: Less than 1% at max. program level or max. monitor level.

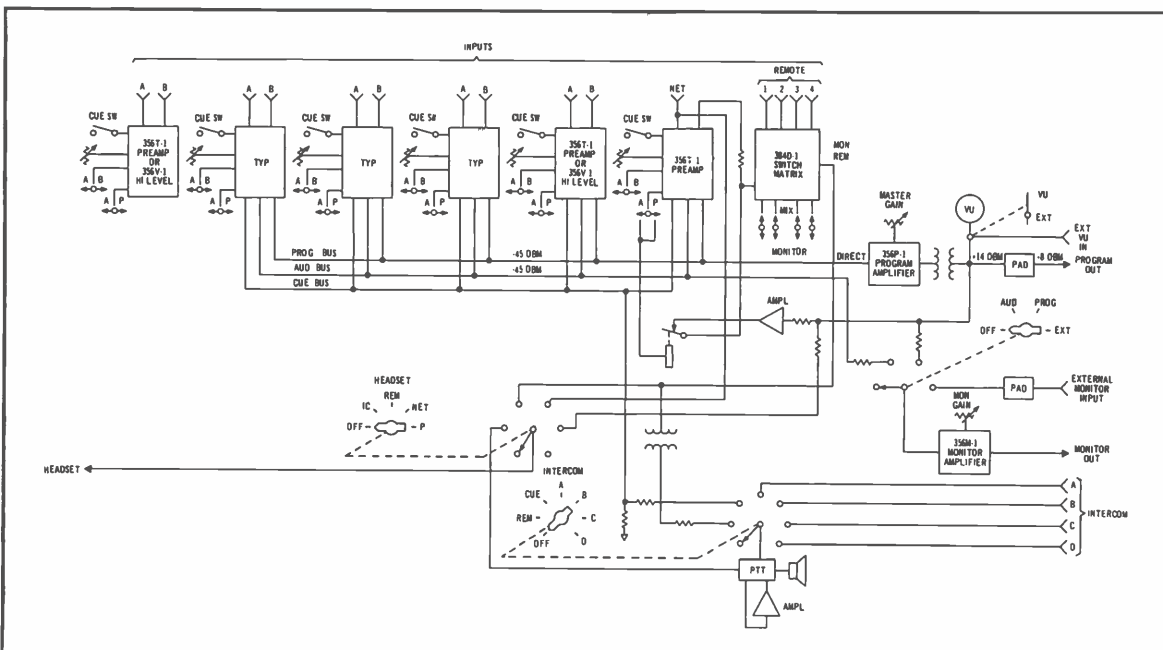
Noise: -120 dbm or less equivalent input noise.

Size: 10 $\frac{1}{8}$ " (25.7 cm.) High x 37-3/16" (94.5 cm.) Wide x 18 $\frac{3}{8}$ " (46.7 cm.) Deep.

Color: White and dark gray front panel; terra cotta accent strip. Light gray cabinet.

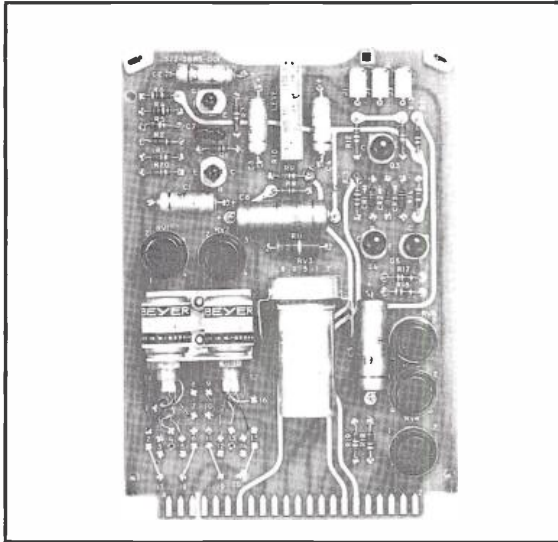
Weight: 107 lbs. (48.53 kg.)

Part No. 522 3879 001



BLOCK DIAGRAM 212M-1

COLLINS 356T-1 PREAMPLIFIER



The 356T-1 is used with the 212S-1 and 212M-1 consoles in input channels where microphones are to be utilized.

SPECIFICATIONS

Input Impedance: 600, 250, 150, 30 choice, factory wired for 150. Balanced.

Gain: Total 50 DB voltage gain, -65 DBM from mic. will deliver -45 DBM to input to program amplifier. (Includes mixer loss.)

Noise: E. I. N. 120 DBM.

Output Impedance: Direct ≈ 150 ohms. Program >10K ohms — 25 DB mixing loss.

Outputs: 1. Direct 3. Audition
 2. Program 4. Cue

Inputs: MIC 1 Max. IN = -30DBM
 MIC 2 Max. IN = -30DBM

Power Requirements: +30 VDC Regulated at 5 MA
 +6 VDC Regulated at 60 MA (1 lamp)
 +4 VDC Regulated at 120 MA (3 lamps)

Frequency Response: ±.5 DB from 30 cps to 15 KC. (ref. to 1 KC)

Harmonic Distortion: 0.5% max. at rated output.

Temperature Limits: 0° to 50° C.

Size: 4" x 6" plug-in card; 1" max. component height.

Adjustments: Trim Pot for tracking attenuators.

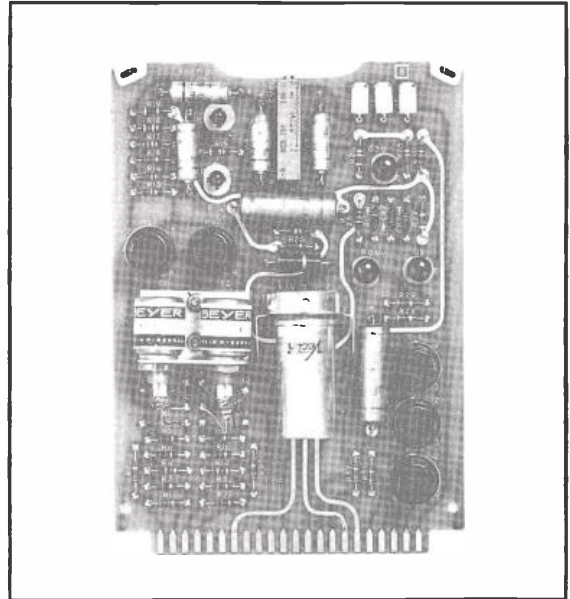
Attenuator: Photo-cell lamp unit built into circuit board. 0 VDC to 6 VDC (controlled by external series variable resistor*) attenuates signal over a 55 DB range.

Switches: Photo-cell lamp unit used for all audio circuit switching.

*One variable resistor may be used to control attenuation of two Preamps. Preamps track within ±1 DB.

Part No. 522 3885 001

356V-1 HIGH LEVEL INPUT PREAMPLIFIER



The 356V-1 is required for input channels for the 212S-1 and 212M-1 consoles where outputs of the turntable preamplifier, tape recorders, and other equipments with audio outputs between -10 DBM and +10 DBM are fed into the console.

SPECIFICATIONS

Input Impedance: 600 ohms, balanced.

Gain: -10 DBM input will deliver -45 DBM to input of program amplifier. (Includes mixer loss) 30 DB pad on input.

Output Impedance: Direct ≈ 15 ohms.
Program: >10K ohms — 25 db mixing loss

Outputs: 1. Direct 3. Audition
 2. Program 4. Cue

Inputs: IN 1: Maximum input = +10 DBM
 IN 2: Maximum input = +10 DBM

Power Requirements: +30 VDC at 5 MA
 +6 VDC at 60 MA Regulated (1 lamp)
 +4 VDC at 120 MA Regulated (3 lamp)

Frequency Response: ±.5 DB from 30 cps to 15 kcps (Ref. to 1 KC)

Harmonic Distortion: 0.5% maximum at rated output.

Temperature Limits: 0° to +50°C.

Size: 4" x 6" plug-in card; 1" maximum component height.

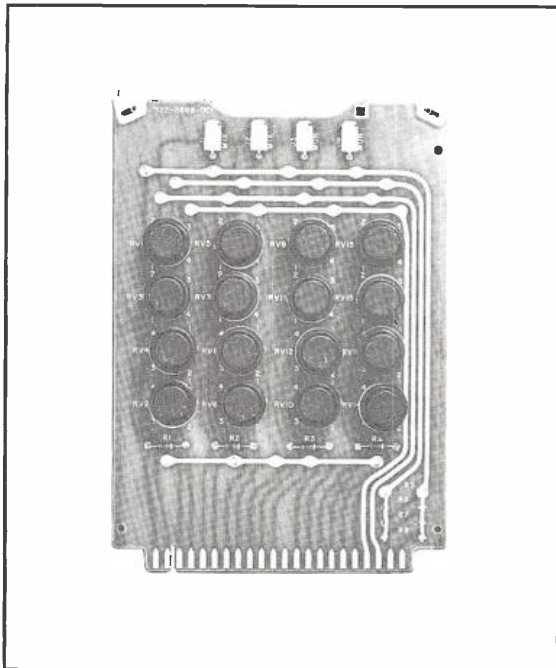
Adjustments: Trim-pot for Tracking Attenuators.

Attenuator: Photo-cell lamp unit built into circuit board. 0 VDC to 6 VDC (controlled by external series variable resistor*) attenuates signal over a 55 DB range.

Switches: Photo-cell lamp unit used for all audio circuit switching.

*One variable resistor may be used to control attenuation of two hi-level inputs. Tracking is within ±1 db.

Part No. 522 3887 001

384D-1 SWITCH MATRIX

The 384D-1 is used in the 212S-1 and 212M-1 consoles to switch remote lines coming into the consoles.

SPECIFICATIONS

Function: A 4 x 2 matrix switch using photo-cell lamp combinations.

Inputs: 4 (balanced lines)

Input Impedance: 820 ohms.

Outputs: 2 (balanced lines)

Output Impedance: Designed to work into 10K ohms.

Power: 4VDC at 40 MA times number of cells turned on.
Maximum requirement $16 \times .04 = .64$ amps.

Temperature Limits: 0 to $+50^{\circ}$ C.

Size: 4" x 6" plug-in circuit card, $\frac{3}{4}$ " maximum component height.

Switching Control: Eight switching functions.

OPERATING CHARACTERISTICS

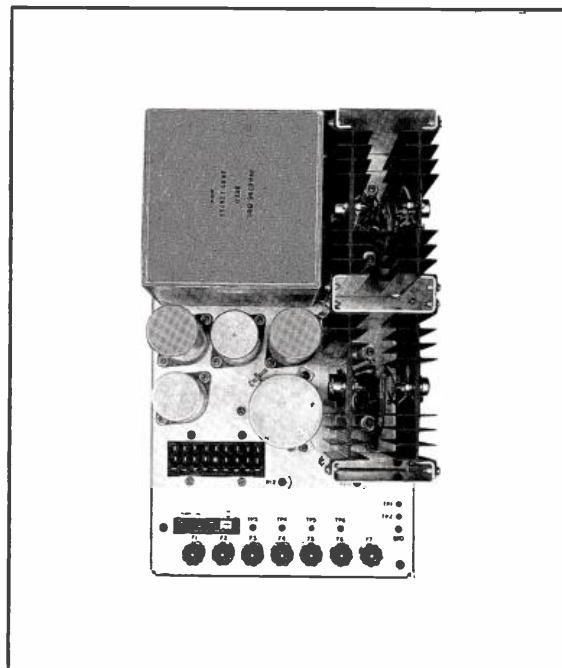
Ambient Service Conditions: Temperature — 0° to 50° C (32° to 122° F). Relative Humidity — Up to 95%.
Altitude — Up to 10,000 feet above msl.

ELECTRICAL CHARACTERISTICS

Power Requirements: 115 volts ac $\pm 10\%$, single phase, 50/60 cps or 220 volts ac $\pm 10\%$, single phase, 50/60 cps.

Power Input: 230 watts, maximum.

Part No. 522 3888 001

409Z-1 POWER SUPPLY

The 409Z-1 supplies the necessary voltage for the modules of the 212S-1 and 212M-1 consoles.

SPECIFICATIONS

Input Voltage: 115/220 VAC at 4/2 amps 50/60 cps.

Output Voltage:

- Outputs
1. 48 volts DC at 1 amp series regulated, zener reference. Less than 5 MV ripple.
 2. 48 volts DC at 1 amp series regulated, zener reference. Less than 5 MV ripple.
 3. 30 VDC at 50 MA zener regulated. Less than 1 MV ripple.
 4. 30 VDC at 50 MA zener regulated. Less than 1 MV ripple.
 5. $+6$ VDC at 1.5 amps, less than 5 MV ripple. Adjustable series regulator, temperature compensated.
 6. $+4$ VDC at 2.5 amps, less than 5 MV ripple. Adjustable series regulator, temperature compensated.

Size: Chassis construction. 13" x 8" x $8\frac{1}{2}$ " height.

Weight: 30 lbs.

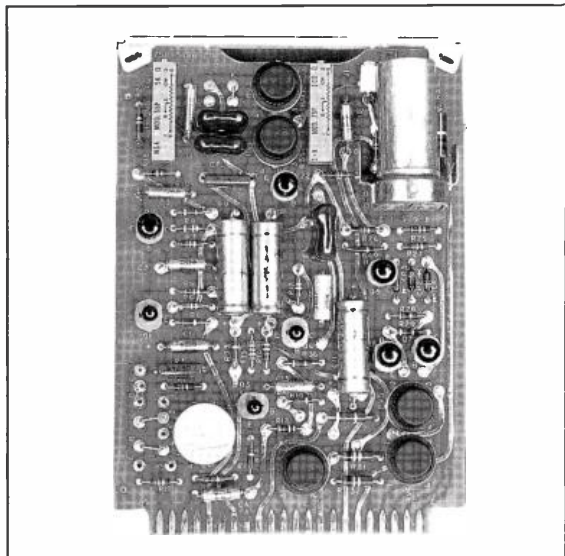
Circuit Description: Switch Matrix 384D-1 consists of 16 photoconductive switches. Each switch consists of a photocell and a 4-volt lamp sealed in a can. The resistance of the photocell is approximately 13 megohms when the lamp is off, and 380 ohms when the lamp is on.

OPERATING CHARACTERISTICS

Ambient Service Conditions: Temperature — 0° to 50° C (32° to 122° F). Relative Humidity — Up to 95%.
Altitude — Up to 10,000 feet above msl.

Part No. 522 3886 00k

356R-1 MICROPHONE-PHONOGRAPH PREAMPLIFIER



The 356R-1 amplifies and equalizes audio from a magnetic pickup or amplifies audio from a microphone. Two remotely switched inputs, three remotely switched outputs, and one direct output are provided.

SPECIFICATIONS

Input Impedance:

Microphone 600/250/150/30 ohms, balanced
(factory wired for 150 ohms)

Phonograph 50K, nominal at 1 kc

Output Impedance (Unbalanced): Program and audition greater than 10K

Direct: 600 ohms, approximately

Cue: 1K, approximately

Input Level:

Microphone -65 dbm, nominal
-20 dbm, maximum

Phonograph 2 mv rms, nominal
100 mv rms, maximum

Output Level:

Program and Audition (into 600 ohm load)
-45 dbm, nominal
-10 dbm, maximum

Direct: 5 volts, maximum (into 10K load)

Cue: 12 mv, nominal (into 2600 ohm load)

Frequency Response: 30 to 15,000 cps ± 1.0 db (referred to 1000 cps).

Total Harmonic Distortion: 0.5% Maximum at rated output.

Noise: Equivalent Input Noise -120 dbm (microphone input).

S/N Ratio: Greater than 60 db with 6 mv input signal (phonograph input.)

Equalization of Phonograph Input: Strapping allows:
RIAA
RIAA with 3 db of high-frequency boost
RIAA with 3 db of high-frequency rolloff

Ambient Service Conditions:

Temperature 0° to 50°C (32° to 122°F)

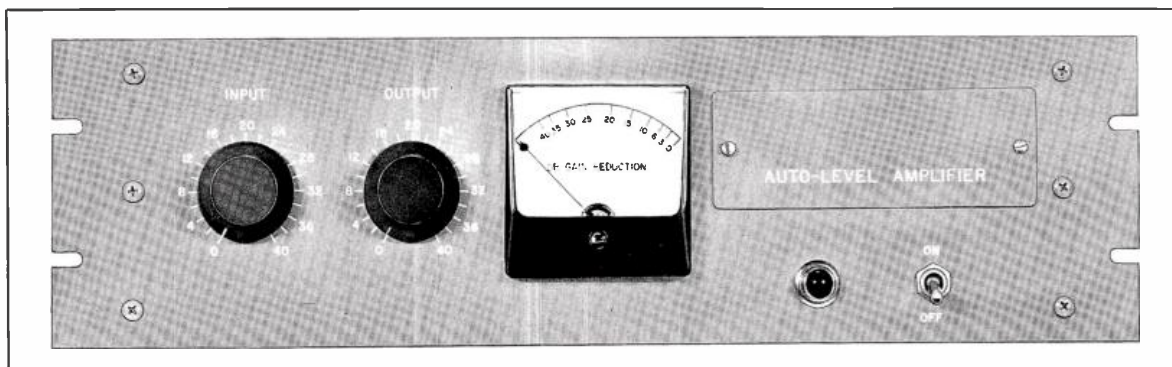
Relative Humidity up to 90%

Altitude up to 10,000 feet above msl

Size: 4 by 6 by 1 inch.

Part No. 758 5486 001

26J-1 AUTO-LEVEL LIMITING AMPLIFIER



The average program level of the radio broadcast station can be automatically and effectively raised with the 26J-1 Auto-Level Limiting Amplifier. The resulting effect of the 26J-1 is similar to turning up the volume of the radio receiver so that the low level transmission is as well received as the high level transmission.

Automatic fades between microphone and recorded

music are also accomplished with the 26J-1. By setting the microphone level at a higher level than the turntable, the automatic fade occurs when the microphone is activated. The higher microphone level automatically fades the music into the background and allows the speech to come through clearly. When the voice portion is absent, the 26J-1 restores the music level to normal. Since these

fades are done automatically and electronically, they are far smoother and superior to manual fades.

The 26J-1 does not act as a peak limiting amplifier but functions on a low compression ratio which allows limiting action without noticeable effect on program material. With the slow action and compression ratio of the 26J-1, it is possible to limit up to 30 db without a noticeable effect other than bringing up the average listening level of the program material.

Working in conjunction with the Collins 26U-1 Peak Limiting Amplifier, the two units provide excellent peak limiting as well as average program limiting. The wide dynamic ranges used in most classical and popular music require considerable compression to allow low and high passages to be broadcast equally well.

The Collins 26U-1 Peak Limiting Amplifier, ideally located at the transmitter, protects over-modulation of the transmitter, and the 26J-1 Auto-Level Limiting Amplifier, located at the studio, boosts the average and low level program portions. Thus, these two units allow even the low-priced home and car receivers, which are not capable of reproducing wide dynamic ranges, to receive the entire broadcast as transmitted.

In those instances where there is not a good signal-to-noise ratio, such as old phonograph records and sports events with background noises, the 26J-1 can be operated as a straight amplifier. The limiting action may be disabled by turning off the gain reduction switch.

Frequency Response: ± 1 db, 50-15,000 cps.

Gain: 25 db maximum as shipped. 41 db maximum, with input pad changed from 22 db to 6 db.

Input Impedance: 600 ohms unbalanced.

Input Level: Adjustable, -26 dbm to +30 dbm. Easily changed 22 db "T" pad in input circuit available. (0 dbm equals 1 mw across 600 ohms.)

Output Impedance: 600 ohms unbalanced.

Output Level: Adjustable, -24 dbm to +30 dbm; +14 dbm nominal.

Distortion: 1.5% maximum, 50-15,000 cps, with no compression. 2% maximum distortion, 50-15,000 cps, at any level up to 30 db gain reduction, with threshold set for 3:1 compression ratio.

Output Noise: -50 dbm or less. (Threshold set for 3:1 ratio.)

Compression Ratio: 3:1 optimum; adjustable 1.6:1 to 5:1.

Attack Time: 11 milliseconds, with switch set for dual operation. 62 milliseconds, with switch set for average operation.

Release Time: 0.9 seconds for 63% recovery, with switch set for dual operation. 5.2 seconds for 63% recovery, with switch set for average operation.

Power Source: 115 v or 230 v ac, 50-60 cps, single phase. Shipped wired for 115 v.

Size: 19" W, 5½" H, 9" D (48.26 cm W, 13.97 cm H, 22.86 cm D).

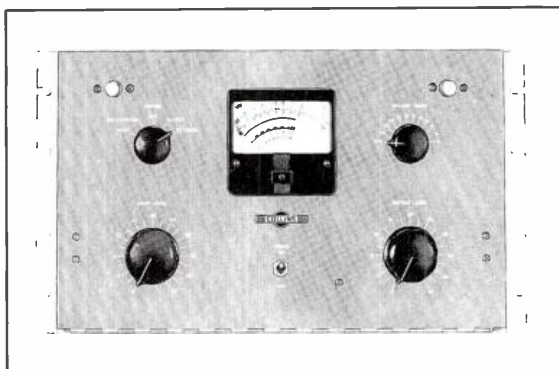
Weight: 16 lbs. (7.26 kg).

Part No. 099 2814 00

No Part Number

FCC set of spare tubes (includes two silicon rectifiers).

COLLINS 26U-1 LIMITING AMPLIFIER



Designed to achieve maximum modulation with minimum distortion, the Collins 26U-1 Limiting Amplifier provides full tonal range broadcasting with thump-free performance.

The Collins Limiting Amplifier limits loud audio passages to prevent overmodulation, distortion and adjacent channel interference, while allowing low level passages to be broadcast in their true range.

The transmission range of the station's signal and the over-all efficiency of the transmitter are increased through the limiting action which permits a higher average modulation level.

When used with recording equipment or with a public address system, the 26U-1 prevents overloading, and by allowing a higher average audio level, the limiting amplifier improves the signal-to-noise ratio.

A self-balancing circuit eliminates the need of tube selection or delicate balancing procedures usually associated with peak limiters. The Collins Limiting Amplifier is capable of greater than 30 db compression.

Conventional circuitry, negative feedback, full wave rectification for control voltage and silicon rectifiers in the power supply are incorporated into this unit.

An illuminated VU meter with a special scale calibrated in VU and db of compression, which measures five functions, is provided in the Collins Limiting Amplifier. The VU meter attenuator and a rotary switch allow measurement of external gain reduction, db of compression and levels of input, output and external audio circuits. This external meter circuit measures audio levels on other program lines, eliminating the need for an additional VU meter panel.

Silicon diodes and extended life electrolytic capacitors provide an efficient, low heat power supply with a minimum of maintenance. A voltage regulator provides stabilized reference voltages. Input, output and VU meter level controls are Daven step-type.

The 26U-1 consists of a push-pull variable gain input stage, a push-pull interstage voltage amplifier, and a push-pull output stage. A bias rectifier supplies dc bias from the signal output to regulate the gain of the input stage. A self-contained power supply provides the plate and filament voltages.

Designed for rack mounting, the Collins Limiting Amplifier has a minimum number of controls, tubes and tube types. It has a hinged front panel for access to internal wiring and components.

The panel is finished with blue-gray enamel, and the chassis is cadmium plated and chromate dipped.

Frequency Response: ± 1.5 db, 50-15,000 cps.

Gain: 32 db minimum.

Input Impedance: 600 ohms unbalanced.

Input Level: -20 dbm to +20 dbm. Note: 0 dbm equals 1 mw across 600 ohms.

Output Impedance: 600 ohms unbalanced adjustable, or 600 ohms balanced fixed level.

Output Level: -20 dbm to +20 dbm.

Distortion: 1.5% maximum.

Output Noise: -50 dbm or less.

Compression Ratio: 12:1 first 10 db above threshold.

Attack Time: Adjustable, 0.5-3.0 milliseconds.

Release Time: Adjustable, .5-3.0 seconds for 63% recovery.

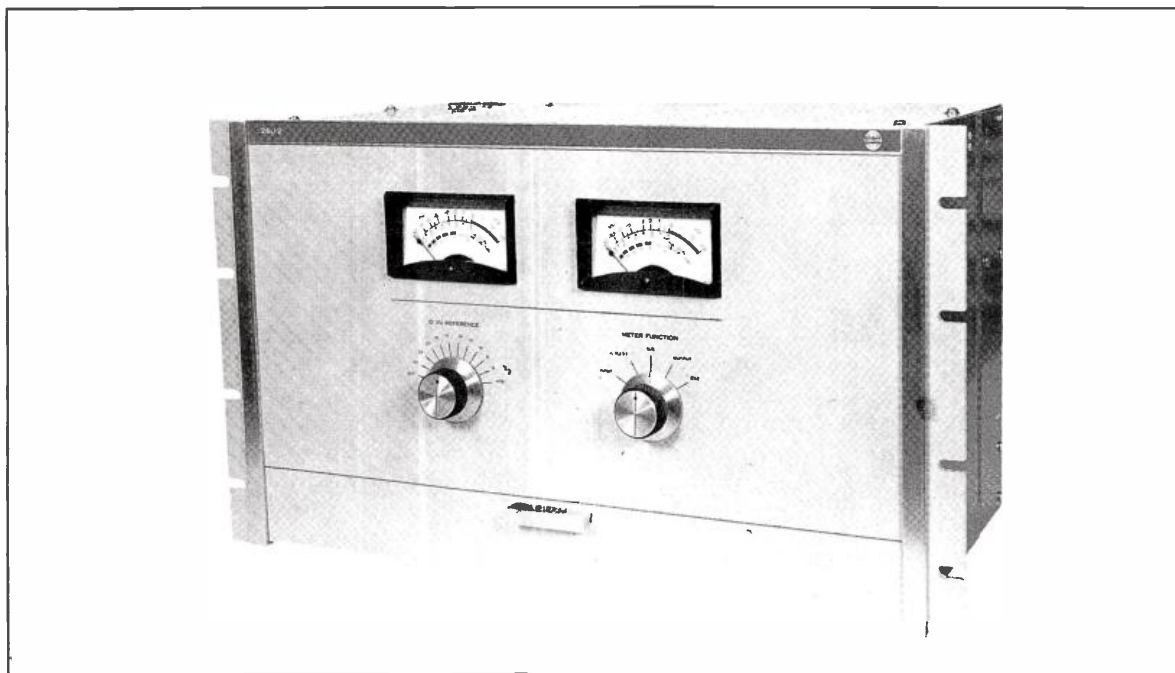
Power Source: 115 v or 230 v ac, 50-60 cps, single phase.

Shipped wired for 115 v.

Size: 19" W, 10½" H, 9" D (48.26 cm W, 26.67 cm H, 22.86 cm D).

Weight: 32½ lbs. (14.75 kg).

Part No. 522 0966 00
No Part Number
100% set of spare tubes.



COLLINS 26U-2 STEREO LIMITING AMPLIFIER

Easy to operate and maintain and affording maximum flexibility, the Collins 26U-2 Stereo Limiting Amplifier is designed to permit maximum modulation with minimum distortion. It provides full tonal range broadcasting with thump-free performance.

The 26U-2 limits loud audio passage to prevent overmodulation, distortion and adjacent channel interference, while raising low level passages to be broadcast in their true value.

When used with stereo recording equipment, the Collins Stereo Limiting Amplifier prevents overloading and

improves signal-to-noise ratio by allowing a higher average audio level.

Based on the time-proven circuitry of the Collins 26U-1, the stereo limiter has conservatively-rated components and long life. Typical mean time between failures: four years of continuous service.

The 26U-2 is designed to meet any requirement of the broadcaster. It may be used as a single channel limiter, two monaural channels or for stereo broadcasting. A switch in the subpanel selects either stereo or monaural operation.

The self-balanced circuit eliminates the need for tube selection or delicate balancing procedures usually associated with peak limiters. The Collins 26U-2 is capable of greater than 30 db compression.

Two illuminated VU meters, calibrated in VU and db of compression, which measure five functions, are incorporated. The meters' attenuator and function switch allow measurement of external and internal gain reduction (db of compression), and levels of input, output and external audio circuits. The external circuit measures audio levels of other program lines, eliminating the need for an additional VU meter panel.

Silicon diodes provide an efficient, low heat power supply with a minimum of maintenance. A voltage regulator provides stabilized reference voltages. Input and output level controls are continuously variable bridge-T attenuators.

Occupying only 10.5 inches of rack space, the Collins 26U-2 has a minimum number of controls, tubes and tube types. A hinged front panel with magnetic latches provides access to the subpanel controls.

Size: 19" W, 10½" H, 10¼" total D — 9¼" behind panel (48.26 cm W, 26.67 cm H, 26.04 cm total D — 23.5 cm behind panel).

Weight: 35 lbs. (15.88 kg).

Power Source: 115 v or 230 v ac, 50-60 cps, single phase (150 watts at 115 v ac).

Frequency Range: 50-15,000 cps ±1.5 db.

Input: 600 ohm bridged T (ungrounded), —20 dbm to +20 dbm.

Output: 600 ohm bridged T (ungrounded). —20 dbm to +20 dbm.

Distortion: 1% maximum.

Output Noise: —50 dbm or less.

Cross-Talk: 60 db minimum.

Compression Ratio: 12:1 first 10 db above threshold.

Gain: 40 db.

Attack Time: Adjustable, 0.5-3.0 milliseconds.

Release Time: Adjustable, 0.5-3.0 seconds.

Controls:

Panel Mounted	Meter Selector Switch
	Meter Multiplier Selector
Subpanel Controls	Input Level (2)
	Output Level (2)
	Gain Reduction Meter Zero (2)
	Gain Reduction Balance (2)
	Stereo-Mono
	Power ON-OFF
Rear Chassis Controls	Attack Time (2)
	Release Time (2)

Protection: Overload fuse in primary circuit.

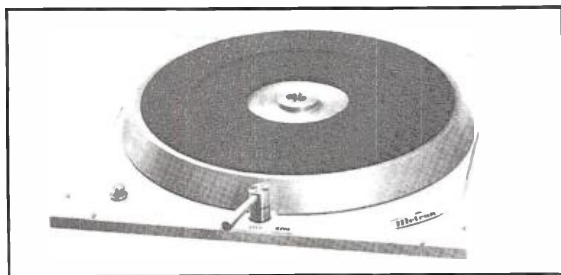
Metering: Two 3½" voltmeters which can be switched to measure Input Level, External Gain Reduction, Gain Reduction, Output Level and External Level.

Tube and Rectifier Complement:

2	GL-6386	Variable gain input stages
2	12AU7	Interstage voltage amplifiers
4	6V6GTA	Output amplifiers
2	6AL5	Limiter bias rectifiers
2	OA2	Voltage regulators
4	1N3256	Power rectifiers (silicon, commercial)

Part No. 522 3237 00

COLLINS TT-900 TURNTABLE



The TT-900 is a turntable designed specially for stereo operation and meets NAB specifications for stereo operation. The chassis is of heavy cast aluminum. A simple speed shift lever is located in the center of the chassis for choice of 2 speeds, 33½ and 45 rpm. In the off position the drive puck is removed from the rim to prevent flattening. An indentation in the platter eliminates the need for a spindle adapter for 7" 45 rpm records.

Motor: Synchronous

Speeds: 33½ & 45 rpm

Speed Regulation: .05%

Acceleration: Less than 1/12 rpm for full speed.

Wow Limit: .2%

Flutter Limit: .2%

Wow and Flutter Limit: .2%

Vertical Rumble: —36 db

Lateral Rumble: —40 db

Mono Rumble: —36 db

Size: 14.5" wide by 15.34" deep

Cut Out Size: 13.5" wide by 14.34" deep

Weight: 53 lbs. (24.04 kg)

Part No. 124 0032 011

COLLINS TT-400/200 TURNTABLES



Collins Turntables feature a simplicity of design which requires only three moving parts in the drive mechanism. There is no complicated linkage system to break down or to add to wow or rumble.

The turntables, constructed of heavy cast aluminum with a blue-gray wrinkle finish, are non-magnetic. A gear speed shift offers selection of 33, 45 and 78 rpm, with neutral between slots. An indentation in the turntable eliminates the need for a spindle adaptor for 7" 45 rpm records.

The tables are rim-driven by a single molded neoprene idler wheel. The idler wheel serves only to transfer power to the rim. It does not determine the speed of the table. Normal wear and reduction of the idler wheel have no effect on the precision of the platter speed.

	Speed	Noise level*	Speed Acceleration
16" TT-400	33 $\frac{1}{3}$	—48 db	1/10 rev.
	45	—47 db	1/8 rev.
	78	—42 db	1/2 rev.
12" TT-400	33 $\frac{1}{3}$	—49 db	1/16 rev.
	45	—49 db	1/12 rev.
	78	—46 db	1/3 rev.

*Based on reference level of 7 cm/sec., at 1,000 cps

Models:

- TT-400 — 16", 4-pole motor
- TT-400S — 16", synchronous motor
- TT-450S — 16", synchronous motor, 50 cps
- TT-200 — 12", 4-pole motor
- TT-200S — 12", synchronous motor
- TT-250S — 12", synchronous motor, 50 cps

Size: TT-400 and TT-400S — 2" (5.08 cm) above base plate, 6" (15.24 cm) below base plate, overall base 19 $\frac{5}{8}$ " square (49.85 cm).

Size: TT-200 — 1 $\frac{1}{2}$ " (3.81 cm) above table, 4 $\frac{1}{4}$ " (10.8 cm) below table, base 15 $\frac{3}{8}$ " W, 14 $\frac{1}{2}$ " D (39.05 cm W, 36.83 cm D).
 TT-200S — Same as TT-200, except 6" (15.24 cm) below table.

Weight: TT-400 — 53 lbs. (24.04 kg). TT-200 — 22 lbs. (10.23 kg).

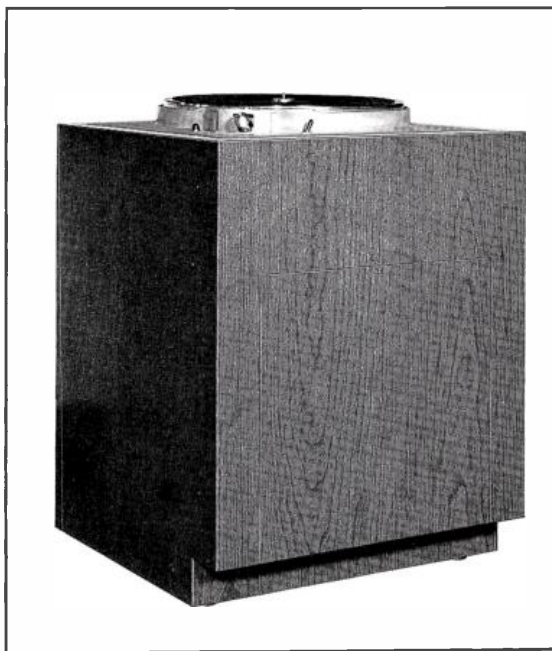
- Part No. 097 3736 00 (Type TT-400) Part No. 097 3971 00 (Type TT-200)
- Part No. 097 3737 00 (Type TT-400S) Part No. 097 3811 00 (Type TT-200S)
- Part No. 097 6286 00 (Type TT-450S) Part No. 097 6285 00 (Type TT-250S)
- Part No. 097 8123 00
- Rubber pad to fill turntable indentation for TT-400/200 series. Allows playing small hole 33 $\frac{1}{3}$ rpm records.
- Part No. 097 7523 00
- 220 v to 115 v step-down transformer. 150 watts, for use with TT-400/200 turntables.

COLLINS TURNTABLE CABINET

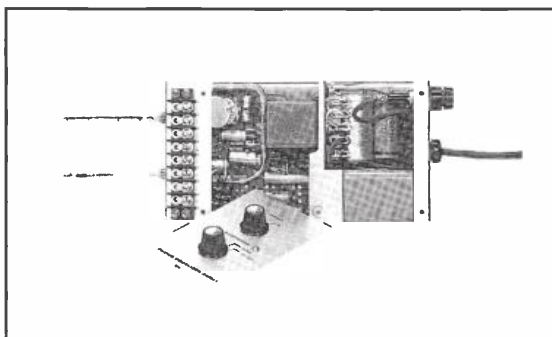
Has front door for accessibility to turntable components. Cutout on top for one Collins TT-900, TT-400 or TT-200 Series Turntable. Cabinet finished in Regency walnut Formica. Other coverings available on special order. Specify turntable model number.

Size: 24" W, 30" H, 24" D (60.96 cm W, 76.2 cm H).

- Part No. 124 0032 228 (Type TCW-9Q)
- For use with TT-900 series turntables.
- Part No. 124 0032 230 (Type TCW-2Q)
- For use with TT-200 series turntables.
- Part No. 124 0032 229 (Type TCW-4Q)
- For use with TT-400 series turntables.



COLLINS 356H-1 PHONO EQUALIZER PREAMP



An economical unit to equalize and amplify the output signal of a magnetic phono cartridge, this small transistorized unit is used to replace passive equalizers and console or turntable preamplifiers. The housing of the unit is constructed of steel for magnetic shielding.

Control shafts are 3" long and may be cut to proper length after mounting the unit in the cabinet. The 356H-1 provides choices between two inputs and between four response curves: (1) Flat, for test purposes, and mike preamp use; (2) Hi-Boost, which has a 4 db rise above normal at 15,000 cps; (3) Normal, which is the RIAA equalizing curve, and (4) Hi-Cut, which has a 4 db drop below the Normal curve at 15,000 cps.

Frequency Range: 30-15,000 cps, (Typical — "Flat" position ± 1.5 db, 20-20,000 cps).

Frequency Response: ± 1.5 db from RIAA playback equalization response curve.

Output Level: —10 dbm, ± 3 db with —50 dbm input at 1,000 cps.

Output Impedance: 150/600 ohms, balanced or unbalanced.

Input Impedance: High impedance bridging, unbalanced.

Distortion: 1.0% maximum, 30-15,000 cps at —10 dbm output.

Output Noise: Signal-to-noise ratio 60 db.

Gain: 40 db at 1000 cps minimum.

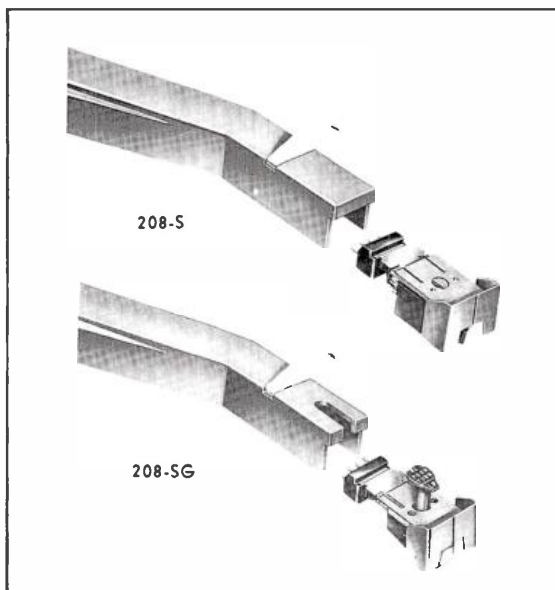
Power Source: 120/240 v ac, $\pm 5\%$, 50/60 cps.

Size: 4" W, 2" H, 7 $\frac{3}{4}$ " D (10.16 cm W, 5.08 cm H, 19.60 cm D).

Weight: 5 lb. (2.27 kg).

Part No. 522 2468 00

GRAY 208 SERIES PLAYBACK ARMS



The Gray professional stereo tone arm is available in two models that are identical in performance. Model 208-S comes with a slide and modular weights for mounting single play stereo or monophonic cartridges. Model 208-SG has a special slot cut into the front of the tone arm to clear the stem of a G. E. turnaround cartridge allowing plug-in operation and comes with specific hardware for this application.

Accessory slide kits are available for multiple cartridge operation.

The 8-S accessory slide assembly includes the cartridge slide, modular weights, mounting hardware and impressive spacers for the installation of stereo or monophonic single play cartridges. The 8-S slide assembly with cartridge mounted is usable in either the 208-S or 208-SG interchangeably.

The 8-SG accessory slide assembly is specifically designed to mount the G. E. turnaround cartridge. With this cartridge installed, it will only fit the 208-SC arm; however, cartridges are interchangeable between arms in this model.

Response: ± 1 db from 5 cps to top end limit imposed by cartridge used.

Size: 21 $\frac{1}{8}$ " W, 2 $\frac{5}{8}$ " H, 15" L (7.46 cm W, 6.67 cm H, 38.1 cm D).

Weight: 2 lbs. (0.91 kg).

Part No. 099 0387 000

(Type 208-S)

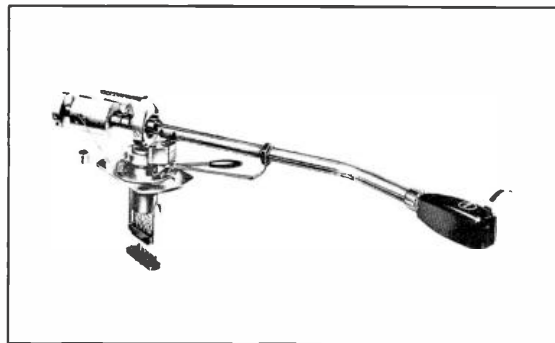
Part No. 099 0164 000

(Type 208-SG)

Part No. 099 0837 000

(Type 8-SG) Slidemount for 208-SG.

SHURE SERIES 2 PRECISION PICK-UP ARMS MODELS 3009 AND 3012

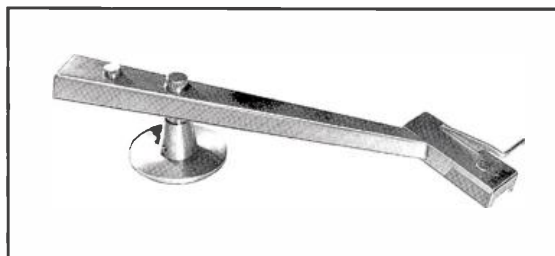


The realism and clarity of a stereo record reflect the skill and technical perfection underlying its manufacture. Only when this is maintained in the reproducing equipment can justice be done to the art of the recording engineers. In playing a phonograph record the stylus must follow a path of extraordinary complexity and be highly compliant if the minute detail of the groove is to be traced without damage. Even the best cartridge cannot achieve this unless it is poised free from extraneous influences. The design of a carrying arm capable of realizing the full potential of pick-up and record is highly specialized involving many problems. These have been successfully resolved in the S.M.E., an instrument of unrivalled quality presented with confidence that the user will endorse the claim 'The best pick-up arm in the world'.

Part No. 124 0032 662

(Type 3009 Arm)

GRAY 212-TN PLAYBACK ARM

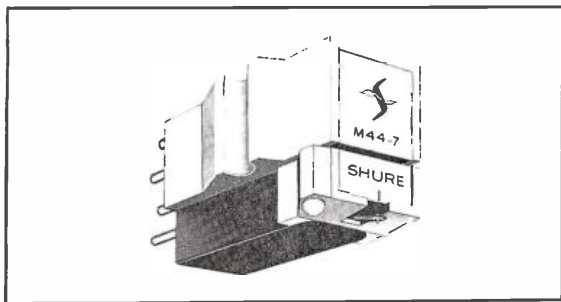


A slide-in cartridge is used to allow instant change from standard groove to microgroove. The arm will accommodate all popular magnetic pickup cartridges, including Pickering, G. E., and Fairchild. Available for 12" (212-TN) recordings.

Part No. 099 0386 00

(Type 212-TN)

SHURE PHONOGRAPH CARTRIDGE MODEL M44-7



The Model M44-7 Dynetic Phonograph Cartridge has been developed for use in all high fidelity applications. It has been designed to connect into magnetic and constant velocity inputs.

Recently, highly technical papers have been published in the leading audio journals to the effect that a hitherto "hidden" source of distortion has finally been identified. It was stated that the difference in the effective angles between the record cutting mechanism's chisel point and the angle of the ball point playback stylus led to an annoying, discernible and measurable distortion. A matching of the vertical tracking angle of the playback stylus to the effective angle at which the record has been cut will eliminate this distortion.

Major recording companies have now begun to use a 15° effective cutting angle and it is the proposed E.I.A. standard (similar in practice and effect to the adoption of the RIAA equalization curve).

The M44 Series of Stereo Dynetic Phono Cartridges has been specifically designed to complement the 15° effective cutting angle now being used on the newest recordings. It also serves to significantly improve the sound obtained from older discs.

The M44-7 is completely compatible. It will play Stereo Discs Stereophonically, Monaural Discs Monaurally, and Stereo Discs Monaurally without excessive wear and distortion.

The Model M44-7 utilizes the Moving Magnet principle and features:

- High needle compliance.
- Low needle talk.
- Low tracking force.
- Wide range frequency response.
- Improved shielding for maximum reduction of hum pickup.
- Exceptional ease in changing stylus assembly.
- No magnetic attraction to steel turntables.

SPECIFICATIONS

Frequency Response: From 20 to 20,000 cps.
Output Voltage: 9 millivolts per channel at 1,000 cps.
Channel Separation: More than 25 db at 1,000 cps.

Recommended Load Impedance: 47,000 ohms (per channel).

Stylus Replacement: Model Number N44-7; Radius: .0007" (.018 mm) diamond; stylus grip color: White;

*See note — Stylus Model Number N44-3: Radius .0025" (.064 mm) diamond; stylus grip color: Green.

Compliance: Vertical-Horizontal, 20.0 x 10⁶ cm/ dyne.

Tracking: 1.5 to 3.0 grams.

Stylus: "No Scratch" Retractable Feature.

Inductance: 680 millihenries.

D. C. Resistance: 650 ohms.

Terminals: 4 terminals (See Figures 2).

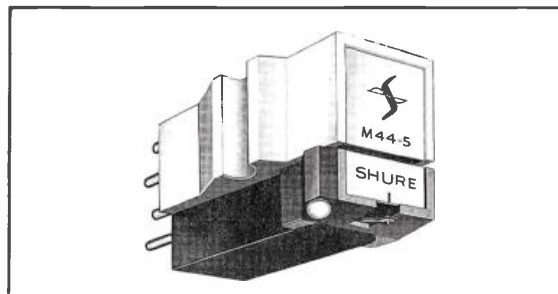
Mounting: Standard 1/2" (12.7 mm) mounting center.

Weight: Net Weight: 7 grams. Packaged weight: 5 1/2 ounces (156 grams).

*The N44-3 Stylus may be used in the M44 Dynetic Cartridge to reproduce the standard 78 rpm records. In this case the amplifier should be set to "Monaural" or "A + B." The M44-3 is designed for tracking forces of 1.5 to 3.0 grams.

Part No. 009 3018 000 (Type M44-7)
 Part No. 124 0032 301 (Type M44-7)
 Special J.C. 198 with .001 needle.
 Part No. 124 0032 302 (Type N44-7)
 .0007" needle assembly.
 Part No. 124 0032 303 (Type N44-1)
 .001" needle assembly.

SHURE PHONOGRAPH CARTRIDGE MODEL M44-5



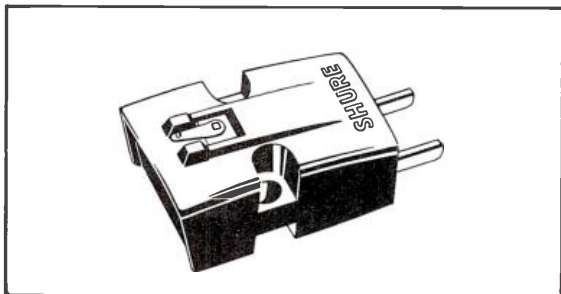
SPECIFICATIONS:

Frequency Response: From 20 to 20,000 cps.
Output Voltage: 6 millivolts per channel at 1,000 cps.
Channel Separation: More than 25 db at 1,000 cps.
Recommended Load Impedance: 47,000 ohms (per channel).
Stylus Replacement: Model Number N44-5; Radius: .0005" (.013 mm) diamond; Stylus grip color: Red;
 *See Note — Stylus Model number N44-3; Radius .0025" (.064) mm diamond; Stylus grip color: Green.
Compliance: Vertical-Horizontal, 25.0 x 10⁶ cm per dyne.
Tracking: 3/4 gram to 1 1/2 grams.
Stylus: "No Scratch" Retractable Feature.
Inductance: 680 millihenries.
D. C. Resistance: 650 ohms.
Terminals: 4 terminals (See Figure 2).
Mounting: Standard 1/2" (12.7 mm) mounting center.

Weight: Net Weight: 7 grams. Packaged weight: 5½ ounces (156 grams).

*The N44-3 Stylus may be used in the M44 Dynetic Cartridge to reproduce the standard 78 rpm records. In this case, the amplifier should be set to "Monaural" or "A + B." The N44-3 is designed for tracking forces of 1.5 to 3.0 grams.

SHURE PHONOGRAPH CARTRIDGE MODELS M5D AND M6S



The M5 and M6 Professional Dynetic Cartridges have been developed specifically for use in custom high fidelity sets, record changers, and transcription arms. These cartridges have been designed to connect into magnetic and constant velocity inputs.

This new electromagnetic transducer utilizes the same Dynetic principle employed in the Studio Dynetic Cartridge and tone arm assembly. This new electro-mechanical principle uses a moving magnet which provides extreme linearity and freedom from distortion. Since the magnet turns on its vertical axis, it is possible to place the needle tip at the end of a light metallic beam, providing very low needle point mass. The stylus assembly is held in a durable elastomer composition which provides high needle compliance. Vertical compliance at the needle tip is excellent. Because of these factors, needle talk is practically nonexistent. Other important features are:

1. Needle replacement is exceptionally simple and fast. No tools are required.
2. Magnetic induction from external hum fields is reduced to a minimum.
3. No magnetic attraction to steel turntables.

SPECIFICATIONS — MODEL M5D

Use: Microgroove, 33⅓ — 45 R.P.M.
Stylus Radius: 1 Mil (0.025 mm) Diamond.
Stylus No.: N5D.
Stylus Color Coding: Black Dot.

SPECIFICATIONS — MODEL M6S

Use: Standard 78 R.P.M.
Stylus Radius: 2.7 Mil (0.069 mm) Synthesized Sapphire.
Stylus No.: N6S.
Stylus Color Coding: Yellow Dot.

Response Frequency Characteristic: From 20 to 20,000 cps (See Fig. 1) designed to ideally meet the exacting requirements of typical high fidelity reproduction.

Output Voltage: Output at 1000 cycles 21 millivolts for 10 centimeters per second.

Recommended Load Impedance: 27,000 ohms. Higher values will produce a slight increase in high frequency response.

Compliance: 3.0 x 10⁶ centimeters per dyne.

Tracking Force: 3 to 6 grams.

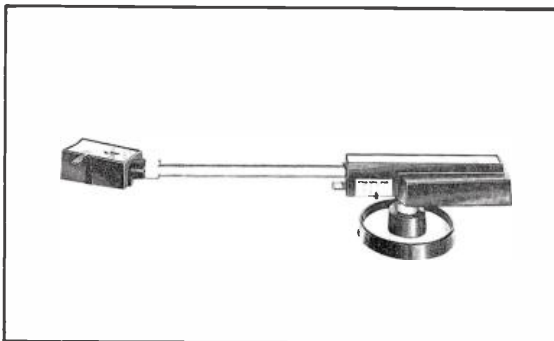
Inductance: 350 millihenries.

D. C. Resistance: 440 ohms.

Weight: .44 ounces (12.4 g.).

Packaged Weight: 3.3 ounces (95 g.).

SHURE PLAYBACK ARMS

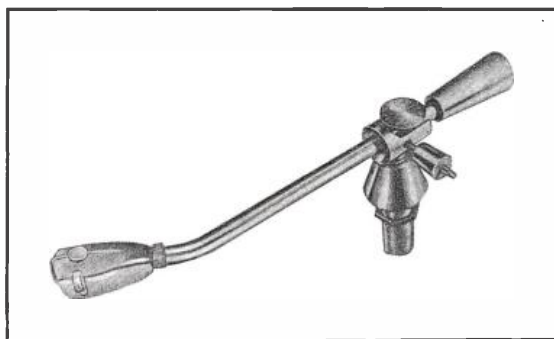


Accepts stereo and monophonic cartridges. Arm features precision ball bearings at all pivot points, plug-in head with positive alignment lock and variable adjustment. Supplied with arm rest, mounting template, mounting hardware and 4-foot cable assembly.

Size and Weight: 12" arm (M232), 12¼" L, 1 lb. (0.45 kg); 16" arm (M236), 14½" L, 1⅛ lbs. (0.48 kg).

Part No. 097 8118 00 (Type M232)
 Part No. 097 8122 00 (Type M236)

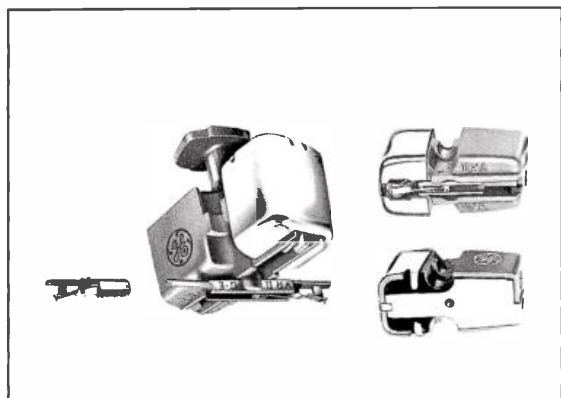
REK-O-KUT PLAYBACK ARMS



Tubular arm body with die cast aluminum cartridge shell. Four-conductor lead accommodates all 3- and 4-wire stereo cartridges. Does not include but uses all standard cartridges. Available for either 16" (S-260) or 12" (S-320) recordings.

Part No. 099 0242 000 (Type S-260) less balance weight.
 Part No. 099 0241 000 (Type S-360) with balance weight.
 Part No. 124 0032 094 Balance weight for S-260
 Part No. 124 0032 549 (Type P520-L) cartridge shell.

GENERAL ELECTRIC CARTRIDGES AND STYLI



- 4GS-01D — Cartridge with 1 mil diamond stylus.
 4GS-02D — Cartridge with 2.5 mil diamond stylus.
 4GS-01S — Cartridge with 1 mil sapphire stylus.
 4GS-02S — Cartridge with 2.5 mil sapphire stylus.
 4GD-01D-02S — Cartridge with 1 mil diamond and 2.5 mil sapphire styli.
 4GD-01D-02D — Cartridge with 1 and 2.5 mil diamond styli.
 4GD-01S-02S — Cartridge with 1 and 2.5 mil sapphire styli.
 4G-01D — 1 mil Diamond Stylus (above cartridges only).
 4G-02D — 2.5 mil Diamond Stylus (above cartridges only).
 4G-01S — 1 mil Sapphire Stylus (above cartridges only).
 4G-02S — 2.5 mil Sapphire Stylus (above cartridges only).

Part No. 097 3844 00	(Type 4GS-01D)
Part No. 097 3845 00	(Type 4GS-02D)
Part No. 097 3846 00	(Type 4GS-01S)
Part No. 097 3847 00	(Type 4GS-02S)
Part No. 097 3848 00	(Type 4GD-01D-02S)
Part No. 097 3849 00	(Type 4GD-01D-02D)
Part No. 097 3850 00	(Type 4GD-01S-02S)
Part No. 097 3853 00	(Type 4G-01D)
Part No. 097 3854 00	(Type 4G-02D)
Part No. 097 3851 00	(Type 4G-01S)
Part No. 097 3852 00	(Type 4G-02S)

COLLINS 642A-2 AND 216C-2 TAPE CARTRIDGE SYSTEM

Tape cartridge programming with Collins equipment means perfection in recording and playback. Stored in 40-second to 31-minute endless tape cartridges, programs are conveniently and safely stored until air time. Then, the cartridge is inserted into the playback deck, one button pressed, and the program is on the air, on cue.

The ease of programming is only a feature of convenience to the broadcaster. The degree of perfection in cueing spot announcements and the resulting tight production are features the listening audience can observe as a mark of the truly professional broadcaster.

Cueing the tape with Collins equipment is an automatic process not dependent upon human skills. A fraction of a second before the start of the recording process

on the upper half of the tape, a tone burst is recorded on the bottom half of the tape. This tone burst automatically stops the endless tape during the playback operation so that there is less than a 0.1-second start time for the next play.

The tone burst recorded on the tape automatically recues the tape for the next play. The playback units contain the necessary relay switching to automatically switch audio feed from an unlimited number of units into a single input of the speech input console. When any unit is started, all others are automatically disconnected from the line. Any unit that is running when another unit is started will continue to run until it is cued to the start position or is manually stopped. A second cue tone can be inserted anywhere on the tape. This is used to trigger the next playback unit or to operate remote equipment.

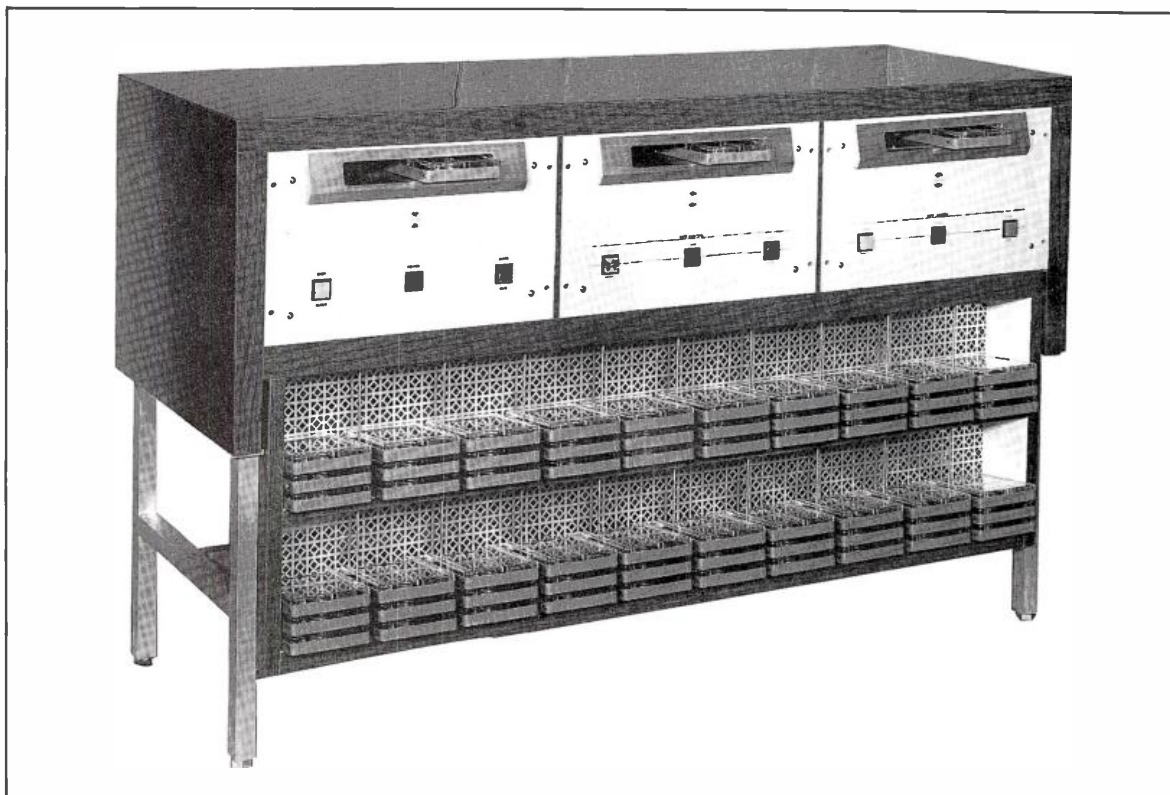
The cartridge is inserted along a guide and under a sturdy retaining spring which keep the entire cartridge firmly in place. Pressure pads within the cartridge hold the tape flat and firmly against the record/playback head and cue head. A precision gap of 0.00020 of an inch in the record/playback head provides resolution of the complete audio range at the 7½-inch tape speed. The heads are built on laminated cores, which permit high recording levels without danger of core saturation. The laminated cores and the balanced double coil winding result in a signal-to-noise ratio of 55 db or better as measured by the proposed NAB standard of 400 cps at 3% THD.

The capstan pressure roller, pivoting 90° from below the deck surface, snaps into position to hold the tape securely against the driving capstan. The tension of this roller is easily adjustable. The pressure roller resists wear and is accurately ground so that the tape is not fluted or stretched as it passes between the capstan and the pressure roller.

Pulling the pressure roller into position is a heavy duty solenoid guaranteed to last. This solenoid was activated over 2-million times in the Collins Quality Control laboratories and showed no appreciable wear. Activation of the solenoid and pressure roller is a fast, tight operation. Shimmy and vibration are not present.

Mounted on a strong and accurately machined aluminum deck, the mechanical portions of the Collins playback and recorder units are guaranteed to stay in perfect alignment. The precision of the playback and record heads in relation to the capstan, solenoid-activated linkage system and flywheel requires more than a pressed mounting plate. The Collins deck has a cast structural reinforcement so that alignment of all moving parts is always perfect.

Driving the unit is a heavy duty-Bodine synchronous motor with vertical ball thrust bearing. The motor is energized by inserting a tape cartridge. The life and low wear of the motor are features second only to the steady speed. The tape is moved through the unit at 7½ inches per second with 99.6% accuracy.



642A-2 TAPE CARTRIDGE SYSTEM

The motor is coupled to the flywheel with three resilient drive belts. This indirect drive, found in premium grade tape equipment, features much greater driving torque than in direct drive capstan systems. This torque is a must for syllable-splitting cueing required by present day broadcasting standards.

The machined and highly polished solid brass flywheel is typical of Collins precision. The flywheel and capstan, with two Oilite lateral bearings and a ball thrust vertical bearing, are virtually wearproof and maintain their equal balance. The result is very important: the playback unit holds flutter and wow to less than 0.2 of 1% RMS.

The units are finished in a blue-gray baked enamel, and extenders are furnished for rack mounting or other 19" width mounting requirements. The following specifications apply to both the 216C-2 Record and 642A-2 Playback Units:

Power Source: 105-125 v ac. 60 cps (50 cps model available on order), single phase.

Frequency Response: ± 2 db 50-12,000 cps. ± 4 db 50-15,000 cps, with 1,000 cps reference frequency.

Harmonic Distortion: 2% or less at 0 VU record level.

Signal-to-Noise Ratio: 45 db or better at 400 cps.

642A-2 PLAYBACK SPECIFICATIONS

Power Consumption: 100 watts during operation. 25 watts standby.

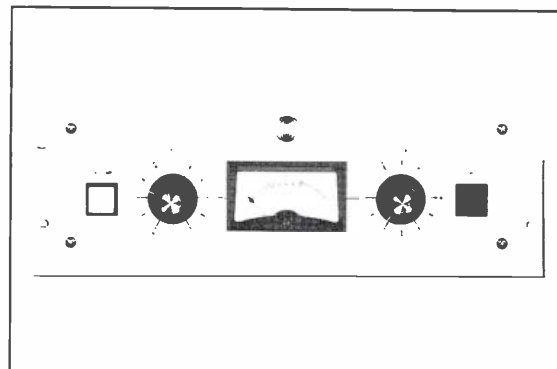
Gain: 55 db at 1,000 cps.

Size: 15" or 19" W, 8 $\frac{3}{4}$ " H, 13 $\frac{3}{4}$ " D (38.1 cm or 48.26 cm W, 22.23 cm H, 34.93 cm D).

Weight: 40 lbs. (18.15 kg).

Part No. 522 3497 00 (Type 642A-2 Playback)

COLLINS 216C-2 RECORDING AMPLIFIER



The 216C-2 Recording Amplifier is used with the 642A-2 Recorder/Playback Unit to provide facilities for recording pre-erased tape cartridges. This unit contains preamplifiers for 600-ohm line and 250-ohm microphone inputs, input level controls, and an output amplifier. The two inputs may be mixed if desired.

Extender panels are furnished with the 216C-2 to extend the width to 19 inches for rack mounting. A VU meter on the front panel indicated the recording level. Two input level controls, one for the microphone input and one for the line input are located on the front panel. All electrical connections to the 216C-2 are made at the rear of the units.

SPECIFICATIONS

Power Consumption: 125 watts.

Audio Inputs: Microphone and line, both variable gain and capable of being mixed. Microphone input 250 ohm impedance (50/600 ohms optional). Will accommodate input levels from -65 dbm to -35 dbm. Line input 600 ohm impedance (50/250 ohms optional). Will accommodate levels from -15 dbm to +10 dbm.

Size: 15" or 19" W, 7" H, 13 $\frac{3}{4}$ " D (38.1 cm or 48.26 cm W, 17.78 cm H, 34.93 cm D).

Weight: Approximately 15 pounds.

Mounting: 15-inch console or 19-inch rack with furnished extenders.

Part No. 522 3496 00 (Type 216C-2 Record)

COLLINS DESK WING CONSOLE

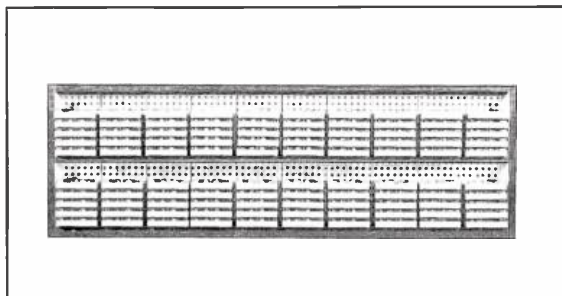
Functional and economical unit for housing three 15" Collins automatic programming playback units (or two playback units and one record unit) and 120 of the Series 300 tape cartridges. Sturdy construction and wear resistant Formica finish in walnut (DWW-3). Other finishes available on request.

Size: 51" W, 30" H, 18" D. (129.5 cm W., 76.2 cm H, 45.72 cm D).

Weight: 150 lbs. (68.04 kg).

Part No. 097 5350 00

COLLINS TAPE CARTRIDGE RACK



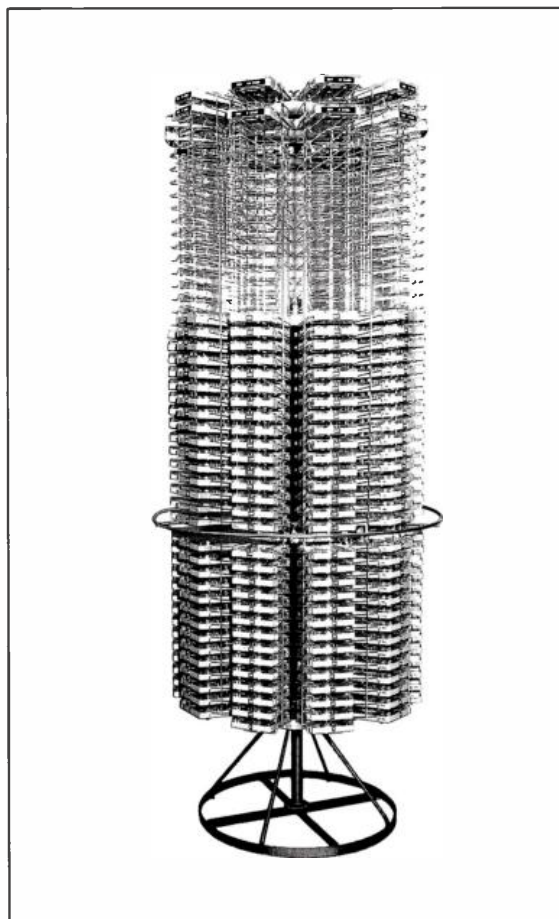
Formica covered wood rack holds 120 of the Series 300 cartridges used with Collins automatic programming equipment. Four rubber cushions allow rack to be set on top of programming wing. It also may be hung on wall. Walnut Formica. Other finishes available on request.

Size: 45 $\frac{3}{4}$ " W, 14 $\frac{3}{8}$ " H, 4" D (116.21 cm W, 36.51 cm H, 10.16 cm D).

Weight: 25 lbs. (11.34 kg).

Part No. 124 0032 300

ABCO LAZY SUSAN CARTRIDGE RACK



This sturdy, heavy Lazy Susan rack holds 500 of the Series 300 Collins automatic programming equipment tape cartridges. Ten chrome-plated racks with 50 slots each make storage and selection of cartridges fast and simple. Revolves easily on roller bearing hub and will not tip regardless of arrangement of cartridges. Cartridges held in wire holders at an angle to prevent slipping out while the rack is being revolved. Shipped knocked down.

Size: Approx. 72" H, 36" diameter (182.88 cm H, 91.44 cm diameter).

Weight: Approx. 50 lbs. (22.68 kg).

Part No. 097 7559 00

ABCO WIRE CARTRIDGE RACK

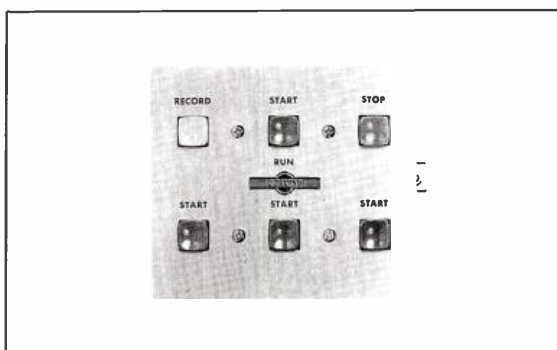
Individual wire rack holding 50 Collins automatic programming equipment cartridges. Identical rack to those used in the Lazy Susan. Includes tapped mounting brackets welded to wire rack.

Size: Approx. 5" W, 11 $\frac{1}{2}$ " H, 7" D (12.7 cm W, 3.81 cm H, 17.78 cm D).

Weight: Approx. 2 lbs. (0.91 kg).

Part No. 097 7560 00

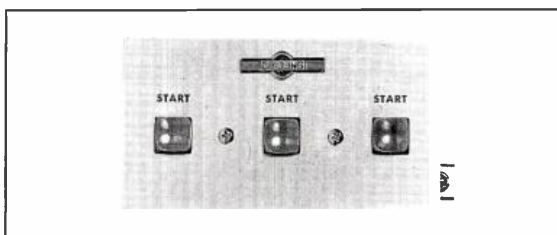
COLLINS 313T-4 REMOTE CONTROL PANEL



Three Collins automatic programming playback units, in addition to a record/playback system, may be operated with this control panel from a remote point in the broadcast studio. Buttons illuminate when in operation.
 Size: 5 1/8" W, 2 3/4" H, 4 1/2" D (13.02 cm W, 6.99 cm H, 11.43 cm D).

Part No. 522 2552 00

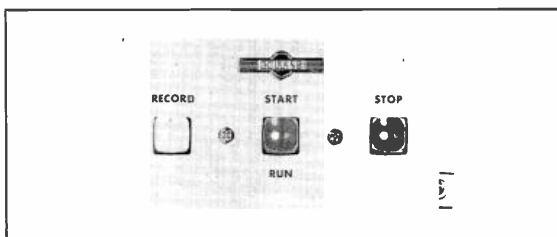
COLLINS 313T-3 REMOTE CONTROL PANEL



Has three illuminated "start" buttons for control of three or less playback units from a remote point.
 Size: 5 1/8" W, 4 1/2" H, 4 1/2" D (13.02 cm W, 11.43 cm H, 11.43 cm D).

Part No. 522 2551 00

COLLINS 313T-1 REMOTE CONTROL PANEL

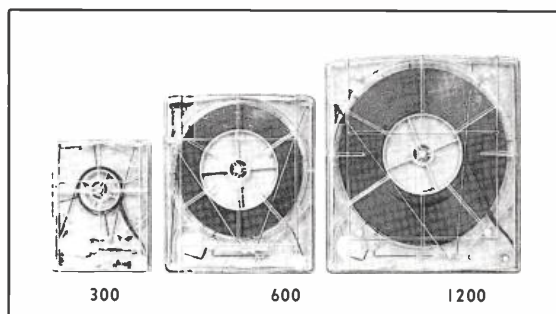


Has illuminated "start," "record" and "stop" buttons for control of one record/playback system from a remote point.

Size: 5 1/8" W, 2 3/8" H, 4 1/2" D (13.02 cm W, 6.99 cm H, 11.43 cm D).

Part No. 522 2550 00

COLLINS AUTOMATIC PROGRAMMING LOADED CARTRIDGES



Manufactured for Collins automatic programming equipment, these cartridges are loaded with fine quality, specially lubricated tape.

300 Series: Loaded cartridges packed six per box (minimum one box) in following lengths: 40, 70, 90, 100 seconds; 2 1/2, 3, 3 1/2, 5, 5 1/2, 7, 7 1/2, 10, 10 1/2 minutes. Specify length.

Type No.	Part Number	Length
300 Series	124 0032 057	40 Second Tape Cartridges
300 Series	124 0032 058	70 Second
300 Series	124 0032 059	90 Second
300 Series	124 0032 060	100 Second
300 Series	124 0032 061	2 1/2 Minute
300 Series	124 0032 062	3 Minute
300 Series	124 0032 063	3 1/2 Minute
300 Series	124 0032 064	5 Minute
300 Series	124 0032 090	5 1/2 Minute
300 Series	124 0032 065	7 1/2 Minute
300 Series	124 0032 066	10 Minute
300 Series	124 0032 067	10 1/2 Minute

600 Series: Loaded cartridges packed two per box (minimum one box) in following lengths: 11, 12 1/2, 15, 16 minutes. Specify length.

600 Series	124 0032 067	11 Minute
600 Series	124 0032 069	13 1/2 Minute
600 Series	124 0032 070	15 Minute
600 Series	124 0032 071	16 Minute

1200 Series: Loaded cartridges packed two per box (minimum one box) in 31 minute lengths.

1200 Series	124 0032 072	31 Minute
-------------	--------------	-----------

COLLINS AUTOMATIC PROGRAMMING BLANK CARTRIDGES

Identical to above cartridges for custom loading.

300 Series: Blank cartridges packed six per box (minimum one box). Up to 10 1/2 minutes playing time.

Part No. 124 0032 073

600 Series: Blank cartridges packed two per box (minimum one box). From 11 to 16 minutes playing time.

Part No. 124 0032 074

1200 Series: Blank cartridges packed two per box (minimum one box). From 16 1/2 to 31 minutes playing time.

Part No. 124 0032 075

COLLINS AUTOMATIC PROGRAMMING MM-151 BULK RECORDING TAPE

A fine quality, specially lubricated, Minnesota Mining tape in bulk lengths of 1,700' on 7" reels for use with Collins Automatic Programming blank cartridges.

Part No. 099 2629 000

AUDIOTAPE AND MM RECORDING TAPES

The following tapes are designed for conventional recorders (see description under Collins Automatic Programming MM-151 Bulk Recording Tape for specially lubricated bulk tape):

- 111A-12: Minnesota Mining tape, 1200 ft., 7" reel.
 150-18: Minnesota Mining tape, Mylar, 1800 ft., 7" reel.
 190-18: Minnesota Mining tape, plastic base, 1800 ft., 7" reel.

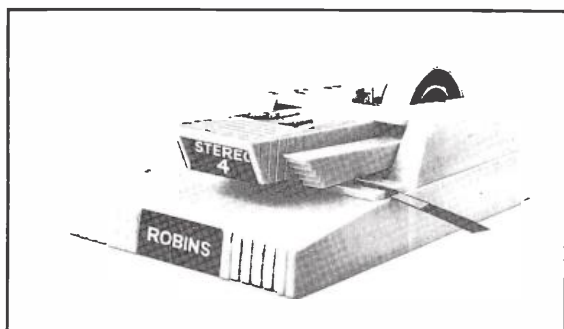
Part No. 272 1407 00 (Type 111A-12)
 Part No. 097 7112 00 (Type 150-18)
 Part No. 099 0040 00 (Type 190-18)

ROBBINS ST-500 BULK SPLICING TAPE

Robbins splicing tape for use with automatic programming equipment and reel to reel recording tape. 1/2" x 100" mylar tape.

Part No. 124 0032 544.

ROBBINS TS-8D SPLICER-CUTTER



Used for magnetic recording tape, this unit cuts two rounded indentations in the tape splice, giving the splice a "Gibson Girl" shape and leaving the edges of the tape free of adhesive. The unit can be removed from its base and mounted directly on any tape recorder. It comes complete with a roll of splicing tape and tape feed.

Part No. 124 0032 178

COLLINS HEAD ALIGNMENT GAUGES

Penetration and alignment gauges for aligning heads of Collins tape cartridge units.

Part No. 554 2632 002 Penetration gauge
 Part No. 554 2635 002 Height gauge

COLLINS AUTOMATIC PROGRAMMING TEST TAPE

Azimuth head alignment test tape for Collins automatic programming playback in 70-second length with 5,000 cps tone on cue track and 10,000 cps tone on program track.

Part No. 097 6076 00

REPLACEMENT PRESSURE PADS

Long lived Polyurethane pad interchangeable with pads in original cartridge in boxes of 50.

Part No. 094 2546 00

TAPE CARTRIDGE REPAIR KIT

Collins Automatic Programming cartridges may be repaired easily with this repair kit which includes 12 Teflon washers, 12 pressure pads and 12 center screws.

Part No. 099 0066 00
 Minimum order of three kits as described above.

MAGNERASER 200C TAPE ERASER



A compact and convenient bulk tape eraser that removes recorded signals from tape up to 35 mm in size and lowers background noise level up to 6 db below that of unused tape. A pushbutton safety switch prevents current from being applied when not in use.

Operating Voltage: 100-130 v; 50-60 cps.

Size: 2" H, 4" diameter (5.08 cm H, 10.16 cm diameter).

Weight: 2 1/2 lbs. (1.13 kg).

Part No. 097 5172 00

MICROTRAN HD-11M TAPE ERASER



A bulk tape demagnetizer that develops a high intensity magnetic field to erase signals and noise without rewinding. Spindle mounting of reel permits rapid and thorough coverage.

Reel Size Range: 5", 7", 10 1/2" (spindle removable for use with other size reels).

Adapter Hub: Available for use with 10 1/2" reels.

Rating: 117 v ac, 5 amps.

Size: 5" W, 3" H, 8" D (12.7 cm W, 7.62 cm H, 20.32 cm D).

Part No. 099 0371 00
 Part No. 124 0032 839

HD-11M
 HD-11-AD 10 1/2" Reel adapter

AMPEX 602 SERIES RECORDER

The 602 is a field recorder that will go where you go — and give you the reliability and professional studio-quality you need when you get there! The 602 series units have hysteresis synchronous drive motors and three separate heads: erase, record, and playback. For rack mounting in the studio, it uses minimal rack space.

SPECIFICATIONS/602 SERIES

Measured by professional standard methods. These are the guaranteed minimum specifications the user can expect in long-term operation.

Frequency Response: 40 to 15,000 cps; down no more than 4 db at 15,000; ± 2 db from 40 to 10,000 cps at $7\frac{1}{2}$ ips. $3\frac{3}{4}$ ips model $+2 -4$ db from 40 to 8,000 cps.

Signal-to-Noise Ratio: Model 602-1: with full track head, over 57 db; with half-track head, over 55 db. Model 602-2: over 55 db. All at $7\frac{1}{2}$ ips.

Flutter and Wow: Less than 0.17% at $7\frac{1}{2}$ ips; less than 0.25% at $3\frac{3}{4}$ ips (measured at ASA standard).

Timing Accuracy: $\pm 0.2\%$ at $7\frac{1}{2}$ ips (± 3.6 seconds in a 30 minute recording).

Fast Forward or Fast Rewind Time: 90 seconds for full 1200-foot reel.

Heads: Three separate heads: erase, record, playback.
 Model 602-1: Full-track or half-track
 Model 602-2: Two-track heads

Speeds: $7\frac{1}{2}$ ips model or $3\frac{3}{4}$ ips model.

Reel Size: 7" and 5".

Inputs (each channel): Two inputs, individual gain controls on each.

- a. low impedance mike input, 150 microvolts required for program record level (for use with mikes of 30 to 250 ohms nominal impedance).
- b. Line input (100K unbalanced), — 10 dbm required for program record level.

All inputs are Cannon XL connectors. Provision for use of plug-in balanced line or bridging input transformers.

Line input can be used as input for second microphone by accessory plug-in preamplifier (allowing 2 microphones to be mixed on one channel).

Outputs (each channel): a. $+4$ dbm into 600 ohm. Balanced or unbalanced load.

b. Head phone jack (on front panel).

Monitor selector knob permits monitoring from either the input source or the tape playback, while recording.

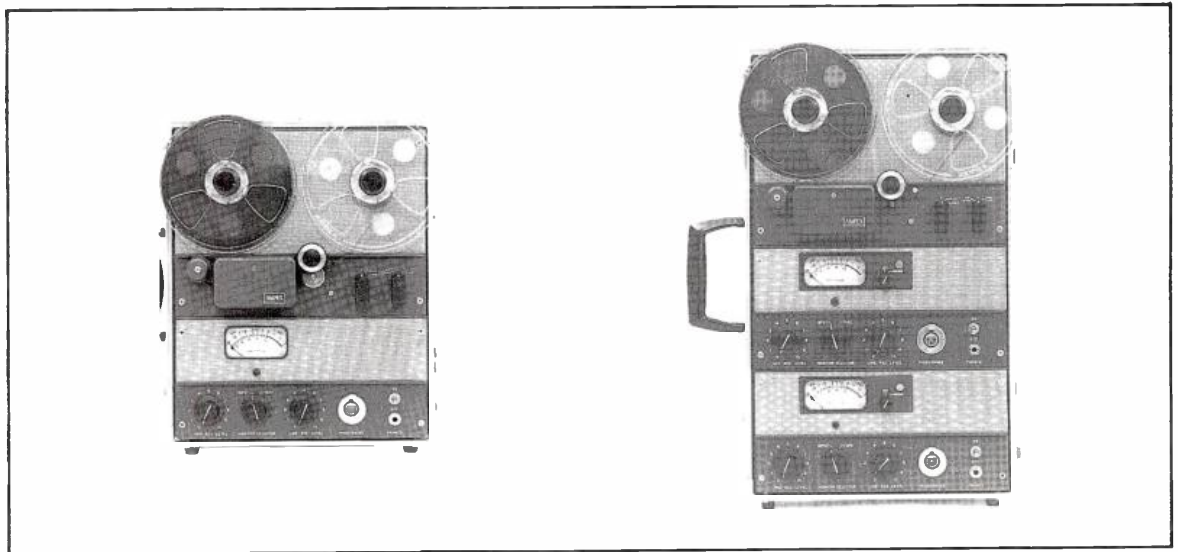
Equalization: For 117 volt, 50 and 60 cps models: $7\frac{1}{2}$ ips, NAB; $3\frac{3}{4}$ ips, 120 microsecond.

For 115/230 volt, 50 cps models: $7\frac{1}{2}$ ips (19 cm/s), CCIR; $3\frac{3}{4}$ ips (9.5 cm/s) 200 microsecond.

Power Requirements: Models for 117 v., 60 cps; 117 v., 50 cps; 115/230 v., 50 cps. Model 602-1, 70 volt-amperes; Model 602-2, 105 volt-amperes.

Weight (in case): Model 602-1: 28 lbs. Model 602-2: 42 lbs.

U. L. Approved



AMPEX 602-1 ONE CHANNEL RECORDER

You may choose full or half-track heads. A rugged, dependable recorder that will meet your performance requirements for a professional mono input.

Portable: $7\frac{1}{2}$ ips, half-track head, 4016021-04; $7\frac{1}{2}$ ips, full-track head, 4016021-02. $3\frac{3}{4}$ ips, half-track head, 4016021-08.

Uncased: $7\frac{1}{2}$ ips, half-track head, 4016021-03. $7\frac{1}{2}$ ips, full-track head, 4016021-01.

AMPEX 602-2 TWO CHANNEL RECORDER

The 602-2 provides two-track heads with selective-track erase head; two electronic channels, give you the versatility of two-track stereo and half-track mono in one unit.

Portable: $7\frac{1}{2}$ ips, two-track head, 4016023-02. $3\frac{3}{4}$ ips, two-track head, 4016023-04.

Uncased: $7\frac{1}{2}$ ips, two-track head, 4016023-01.

AMPEX 622 SPEAKER/AMPLIFIER



The 622 unit gives you "on-the-spot" studio-quality playback for demonstration or monitoring. Its 10 watt amplifier provides ample volume for a medium size auditorium.

SPECIFICATIONS/622 SPEAKER-AMPLIFIER

Overall Frequency Response (in air): Essentially flat acoustically, range better than 65-10,000 cps.

Speaker Size: Special design 8" full-range speaker.

Power Output: 10 watts amplifier power with no audible harmonic distortion. Speaker can handle full power.

Signal-to-Noise: Amplifier noise (including hum), 70 db below rated output.

Controls & Connections: Volume control, bass-treble control, power switch and on-off indicator light. Built-in AC convenience outlet. Audio input connector is concentric pin type. External speaker connection is head-phone type jack.

Equalization: Single control on front panel provides adjustment, boosting bass and attenuating treble or vice versa. Maximum bass boost 6 db relative to treble. Maximum treble boost 6 db relative to bass.

External Speaker Feed: Use of "SPEAKER" jack automatically cuts out the 622's internal speaker and reciprocal network. Flat amplifier output is fed to the external speaker.

Impedance: Inputs, 100,000 ohms. Output, 12 ohms to external speaker.

Power Requirement: 117 volts, 50 or 60 cycles, 0.5 amps, 55 watts.

Weight: 25 pounds.

U. L. Approved

DIMENSIONS/602-1 602-2 622

Transport top area: 9 $\frac{1}{8}$ " x 12 $\frac{1}{2}$ ".

Electronic top area: 6 $\frac{1}{8}$ " x 12 $\frac{1}{2}$ ".

(two electronic sections in Model 602-2).

Depth below top plate: 5".

Overall size, include carrying case:

Model 602-1; 8" x 13 $\frac{3}{4}$ " x 16 $\frac{1}{2}$ "

Model 602-2; 8" x 13 $\frac{3}{4}$ " x 23"

Rack Space: will mount in standard 19" width rack, with appropriate Ampex adapter panel.

Model 602-1 with #864 Adapter Panel, takes only 17 $\frac{1}{2}$ " of vertical rack space.

Model 602-2 with #865 Adapter Panel, takes only 23 $\frac{3}{4}$ " of vertical rack space.

Model 622 speaker/amplifier, overall size in carrying case: 13" x 16" x 8". Catalog No. 01-0622.

Part No. 099 2484 000

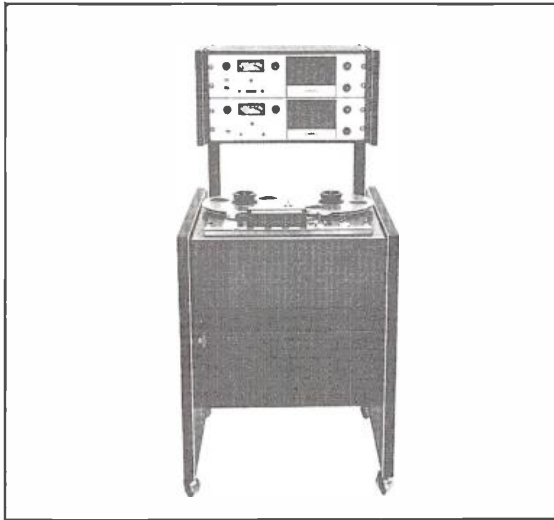
ACCESSORIES FOR AMPEX 602 SERIES

	Order By Type Number
Minor Hardware Kit	
Portable case —	
for 602-1 one-channel model	01-0854
for 602-2 two-channel model	01-0855
Rack Mount Adapter — for 602-1	01-0864
for 602-2	01-0865
Operation & Maintenance Manual (602 series)	89-0080
Operator's Guide for 622 Amplifier/Speaker	89-0099
Professional Accessory Kit (includes head cleaner, demagnetizer, motor oil, Q-tips)	01-0894
Head Demagnetizer	820
Head Cleaner, 4-oz. Can	823
Lubricating Oil, approved, in plastic oiler bottle	825
Alignment Tapes (see separate Alignment Tape Price Schedule and descriptions). Speed and power frequency conversion kits available on request from Ampex Service Engineering Department.	

AMPEX TYPE AG-350



The ampex AG-350 series transport retains the time proven 350 series transport features. Outstanding features include automatic equalization, rigid top plate, direct drive capstan, accurate traction pressure through positive solenoid control of capstan idler which disengages automatically when power is shut off, take up arm to eliminate tape bounce, push button control panel, 10 $\frac{1}{2}$ inch reels, tape speed switch automatically switches equalization,



and self-limiting design brakes. The amplifier incorporates 100% solid state design, front panel adjustments, plug in equalizers, low frequency adjustment, large VU meter, single record button for one or two channels, record/safe switch with ready light, locking-level knob, and accessory socket.

AG-350-1 Mono record/reproducer available in console, portable, and unmounted.

AG-350-2 Stereo record/reproducer available in console, portable, and unmounted.

AG-355-1 Mono reproducer available in console, and unmounted.

AG-355-2 Stereo reproducer available in console, and unmounted.

SPECIFICATIONS

Tape Speeds: 7½-15 ips or 3¾-7½ ips

Frequency Response Overall: 15 ips ±2 db 30-18,000 cps.

7½ ips ±2 db 40-10,000 cps.

+2-4 db 30-15,000 cps

3¾ ips ±2 db 50-7,500 cps.

Frequency Response Playback: 15 ips ±1 db 50-10,000 cps.

±1½ db @ 15,000 cps.

7½ ips ±1 db 50-10,000 cps.

±2 db @ 7,500 cps.

+2-3 db @ 15,000 cps.

3¾ ips ±1 db 50-5,000 cps.

±2 db @ 7,500 cps.

<i>Signal-To-Noise Ratio:</i>	Speed	Full Track	2 Track
	15 ips	60 db	55 db
	7½ ips	55 db	55 db
	3¾ ips	55 db	50 db

<i>Flutter:</i>	Speed	Percentage
	15 ips	below 1.11% rms
	7½ ips	below 1.14% rms
	3¾ ips	below 0.18% rms

Playback Output: +8 dbm into 600 ohms — restrappable for +4 dbm output, balanced or unbalanced. Maximum of +28 dbm before clipping.

Record Input: 100K bridging — 20 dbm to produce recommended operating level.

Start/Stop: Start: Tape at full speed in less than 1/10 second. Stop: At 15 ips, tape moves less than 2 inches after pressing button.

Playback Timing Accuracy: ±0.2% (± 3.6 seconds in 30 minutes recording time).

Tape Width: Standard ¼" tape.

Reel Size: Up to 10½ inch reels.

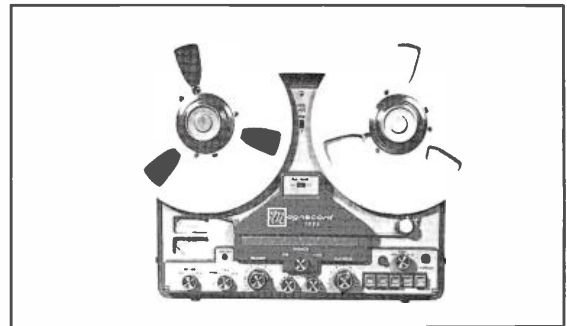
Equalization: All standard models supplied with NAB equalization. CCIR curves available on special order.

Rewind Time: Approximately 1 minute for 2400 feet NAB reel; 30 seconds for 1200 ft. EIA reel (Thin base types proportionately longer).

Power Requirements: 117 volts AC, single channel, 2.0 amperes, two channel 2.5 amperes. Specify 60 or 50 cps. (Universal series 90 to 130 volts dc and 200 to 240 volts dc on special order).

Dimension/Weight: Standard 19" wide panels with commercial notching for rack mounting. Tape transport uses 15½ inches of rack space, weight 19 lbs. (Two electronics required for stereo). Console: 52" high (to top of electronics) 24¾" wide, 27¼" deep. Weight approximately 180 lbs.

MAGNECORD 1028 RECORDER-REPRODUCER



The Magnecord 1028 has advanced circuit design, utilizing latest types, and printed wiring to insure uniform high performance from recorder to recorder.

SPECIFICATIONS:

Tape Speeds: 7.5 and 15 inches per second.

Flutter and Wow: 0.15% at 7.5 ips; 0.1% at 15 ips.

Timing Accuracy: ±0.2%.

Reel Size: 5-, 7- and 10½-inch.

Rewind Time: 2400 feet, less than 100 seconds.

Frequency Response: ±2 db — 40 to 16,000 cps at 7.5 ips; 40 to 22,000 cps at 15 ips.

Signal-to-Noise Ratio: 56 db per channel.

Inputs: Hi-Z microphone and Hi-Z unbalanced bridge; Lo-Z microphone and Hi-Z balanced bridge. With input transformer.

Input Sensivity: -90 dbm to -30 dbm.

Outputs: Cathode follower, 2.0 volts; 150/600-ohm balanced, +4 dbm. With output transformer.

Heads: Selectable Erase, 2-channel Record and 2-channel Play.

Weight: 50 pounds (60 pounds encased).

Dimensions: 17½" wide, 127/8" high, 12" deep. (17½" wide, 14¼" high, 12" deep encased.)

50 cps model at extra cost.

Part No. 099 3013 000

MAGNECORD 1022 RECORDER-REPRODUCER

FEATURES: Solid state electronics with regulated power supply and built-in input and output transformers.

SPECIFICATIONS

Tape Speeds: 7.5 and 15 inches per second.

Flutter and Wow: 0.17% at 7.5 ips; 0.15% at 15 ips.

Timing Accuracy: $\pm 0.2\%$.

Reel Size: 5-, 7- and 8-inch E.I.A. hubs.

Rewind Time: 1200 feet in 80 seconds.

Frequency Response: ± 2 db — 25 to 18,000 cps at 7.5 ips; 35 to 22,000 cps at 15 ips.

Signal-to-Noise Ratio: 53 db, both speeds.

Inputs Per Channel: Lo-Z microphone, balanced bridge, unbalanced bridge, auxiliary bridge.

Outputs Per Channel: 150/600-ohm balanced, auxiliary A and auxiliary B unbalanced (+8 dbm).

Heads: Selectable 2-channel Erase, 2-channel Record, 2-channel Play and $\frac{1}{4}$ -track Play.

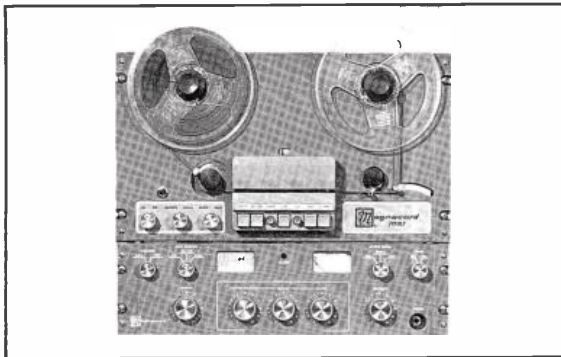
Weight: 47 pounds.

Dimensions: 19" wide, $15\frac{3}{4}$ " high, 12" deep.

50 cps model at no extra cost.

Part No. 124 0032 375

MAGNECORD 1021 RECORDER-REPRODUCER



FEATURES: Fully transistorized with regulated power supply. Switchable equalization (N.A.B. standard).

SPECIFICATIONS

Tape Speeds: 3.75 and 7.5 inches per second.

Flutter and Wow: 0.25% at 3.75 ips; 0.2% at 7.5 ips.

Timing Accuracy: $\pm 0.2\%$.

Reel Size: 5-, 7- and 8-inch E.I.A. hubs.

Rewind Time: 1200 feet in 80 seconds.

Frequency Response: ± 2 db — 30 to 8,000 cps at 3.75 ips. 20 to 15,000 cps at 7.5 ips.

Signal-to-Noise Ratio: 53 db, both speeds.

Inputs: Lo-Z microphone, balanced bridge, unbalanced bridge, mixing bridge and auxiliary bridge.

Outputs: 150/600-ohm balanced; unbalanced, auxiliary A and auxiliary B (+8 dbm).

Heads: Full-track Erase, Record and half-track Play.

Weight: 47 pounds (uncased).

Dimensions: 19" wide, $15\frac{3}{4}$ " high, 12" deep.

50 cps model at no extra cost.

Part No. 124 0032 183 (Type 1021RX)
With remote control less case
Part No. 124 0032 184 (Type 1021R)
With remote control and case
Part No. 124 0032 185 (Type 1021X)
Less case

CROWN 800 TAPE RECORDERS



Available in either monaural or stereo models, the Crown 800 series recorder has many advanced features to make it a professional unit for broadcast stations. Each unit is guaranteed to give top quality performance and is thoroughly tested to assure complete satisfaction.

Among its features: 3 heads for 15, $7\frac{1}{2}$ and $3\frac{3}{4}$ ips operation, AM adjustment control, transistorized photo electric automatic stop for all functions, photo electric program cueing, all-electric relay and solenoid operation, 3-speed electronic reverberation for echo, automatic shift from front panel for $3\frac{3}{4}$ and $7\frac{1}{2}$ ips, automatic torque compensator, accepts $10\frac{1}{2}$ " reels, lowest record-playback intermodulation distortion in industry and over-size lifetime bearings. The stereo version (Type 822) is similar to the monaural unit shown except for the addition of an identical amplifier unit for the second channel.

Power Input: 60 cps. 50 cps at extra cost.

Size: Monaural — 19" W, 15" H, $10\frac{1}{2}$ " D (48.26 cm W, 38.1 cm H, 26.67 cm D). Stereo — 19" W, $18\frac{1}{2}$ " H, $10\frac{1}{2}$ " D (48.26 cm W, 46.99 cm H, 26.67 cm D).

Weight: Monaural — 48 lbs. (21.77 kg). Stereo — 56 lbs. (25.40 kg).

Speed	Frequency Response	Flutter and Wow	Noise Ratio
15	± 2 db, 30-30,000 cps	.06%	57 db
$7\frac{1}{2}$	± 2 db, 30-20,000 cps	.09%	55 db
$3\frac{3}{4}$	± 3 db, 30-13,000 cps	.18%	51 db

Part No. 099 0479 000 (Type BX801)

Less case.

Part No. 099 0731 000 (Type BX822)

Less case.

Part No. 099 0481 000

Case for Type B801 monaural recorder.

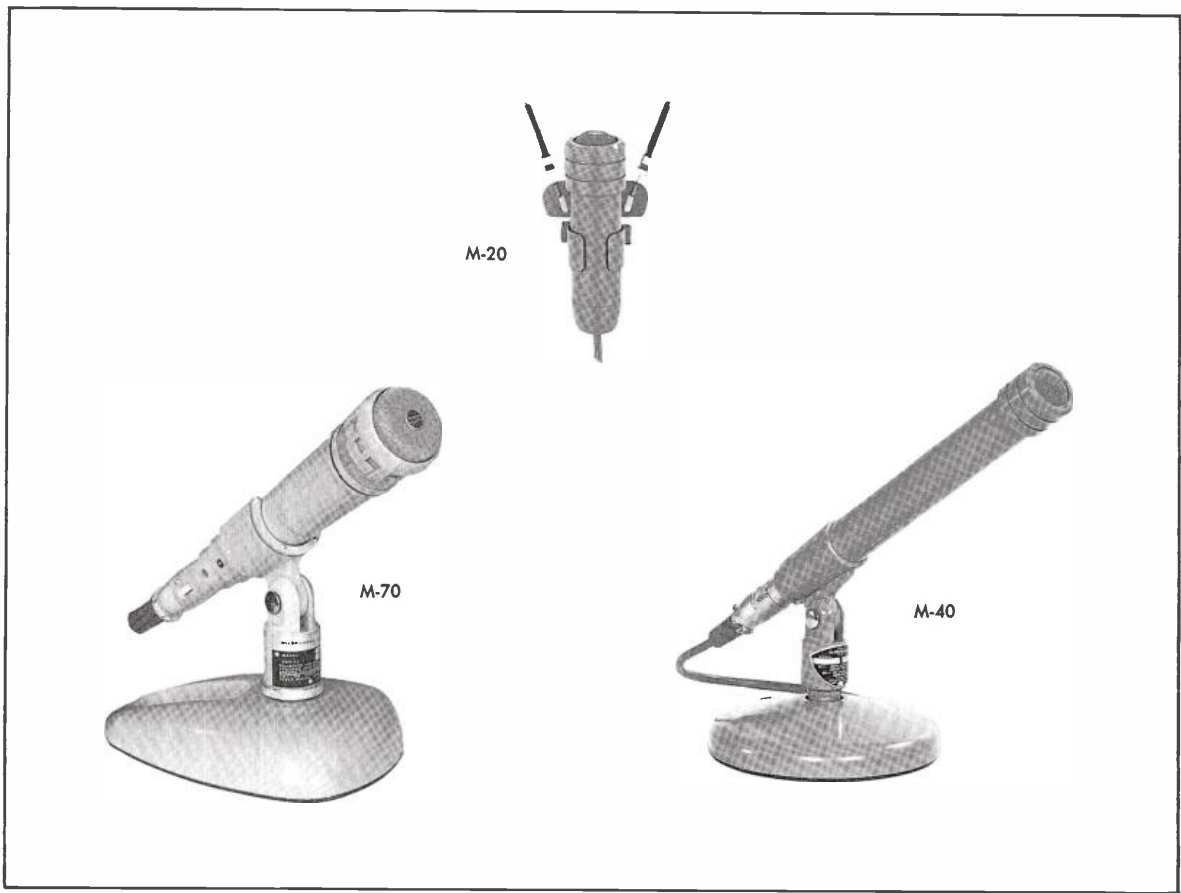
Part No. 099 0482 000

Case for Type 822 stereo recorder.

CROWN RC8 REMOTE CONTROL

This unit, with indicator light, is a duplicate of the rewind, play, forward and stop functions mounted on the recorder cabinet. The RC8 includes 25' cable.

Part No. 099 0158 00 — Remote control unit.



COLLINS M-20 MICROPHONE

This small and rugged lavalier microphone frees hands in one-man speaking situations such as weather shows and demonstrations. It is small enough to be hidden behind a necktie or lapel. Supplied with lavalier clip and 25 ft. of 3-conductor cable. Essentially omnidirectional polar pattern. Desk stand available on order.

Impedance: 50 ohms or 200 ohms, selectable.

Frequency Response: 60-18,000 cps.

Output Level: -57 db, with reference to 1 mv/10 dynes/cm².

Size: 4" long, 1" diameter (10.16 cm L, 2.54 cm diameter).

Weight: 3½ oz. (0.099 kg).

Color: Non-reflecting blue-gray.

Part No. 097 5464 00

M-20.

Part No. 097 6627 00

Replacement lavalier clip for M-20.

Part No. 097 5826 00

Desk stand for M-20.

Part No. 099 0870 00

Replacement cord and clip.

COLLINS M-40 MICROPHONE

Ideal for panel discussions, dinner meetings and interviews. Equipped with desk stand and 20 ft. of three-conductor, plastic jacketed cable. Essentially omnidirectional polar pattern.

Impedance: 50 ohms or 200 ohms, selectable.

Frequency Response: 40-20,000 cps.

Output Level: -59 db, with reference to 1 mv/10 dynes/cm².

Size: 9½" long, 1" diameter (24.45 cm long, 2.54 cm diameter).

Weight: 11 oz. (0.31 kg).

Color: Non-reflecting blue-gray.

Part No. 097 5463 00

COLLINS M-70 MICROPHONE

Provides highly directional sound selectivity to double the conventional working distance and to cut out unwanted background sounds. It is especially useful in small booths where reflecting surfaces could be a problem. Comes equipped with desk stand and a 20-foot, three-conductor shielded cable.

Impedance: 50 ohms or 200 ohms, selectable.

Frequency Response: 40-15,000 cps.

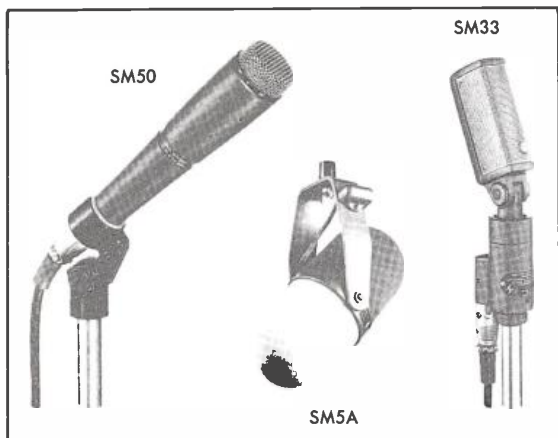
Output Level: -55 db below 1 mm/10 dynes/cm².

Size: 6¼" long, 1½" diameter (17.30 cm long, 3.89 cm diameter).

Weight: 12 ounces, (0.34 kg) (without cable).

Color: Non-reflecting blue-gray.

Part No. 099 2402 000



SHURE SM5A AND SM5B MICROPHONE

The Shure SM5 Dynamic cardioid provides directivity, minimizes sound coloration due to off axis pickup, wide range frequency response, integral windscreen, absence of transformers or response correcting inductors prevents pickup of electrical noise, especially suited for Boom application.

Frequency Response: 50 to 15,000 cps.

Polar Pattern: Unidirectional.

Impedance: SM5A — 50 ohms, SM5B — 150 ohms.

Output Level: 1,000 cps response.

SM5A (50 ohm) — open circuit voltage: -84.0 db^* (.063 mv).

Power level into 50 ohms: -57.0 db^{**}

EIA microphone rating: -150.0 db^{***}

Gm (sensitivity).

SM5B (150 ohm) — open circuit voltage: -79.5 db^* (.103 mv).

Power level into 150 ohms: -57.0 db^{**}

EIA microphone rating: -150.0 db^{***}

Gm (sensitivity).

Connector: Cannon XLR-3-42 receptacle mounted on microphone.

Finish: Textured dark gray enamel. Light and dark gray plastic foam wind screens.

Mounting: 5/8-27 adaptor is supplied. Desk mount available as accessory.

Weight: 1 lb., 15 oz. (879 grams).

Hum Level: -120 dbm with field of 1×10^{-3} gauss at 60 cps.

Part No. 124 0032 551 (Type SM5A)

Part No. 124 0032 552 (Type SM5B)

SHURE SM33 MICROPHONE

The model SM33 is a compact and rugged unidirectional ribbon microphone combining wide range response and a super-cardioid directional pattern. This polar pattern is somewhat more directional than the conventional cardioid, providing excellent control of unwanted surrounding noise and reverberation. The performance characteristics are ideal for studio use in broadcasting, recording, and

for critical sound reinforcement applications. The SM33 features super-cardioid pickup, wide frequency response, low frequency response adjustable by means of a response selector switch, built in shock mount and rugged mechanical design.

Type: Ribbon.

Frequency Response: 40 to 15,000 cps.

Polar Pattern: Super-cardioid.

Impedance: Dual. Choice of 30-50 ohms or 150-250 ohms. (Connected for 150-250 ohms when shipped).

Output Level: 1,000 cps response.

SM33 30-50 ohms — open circuit voltage -87.0 db^* (0.049 mv).

Power Level -60.0 db^{**}

EIA microphone rating -152.5 db^{***}

Gm (sensitivity)

SM33 150-250 ohms — open circuit voltage -81.0 db^* (0.089 mv).

Power Level -58.5 db^{**}

EIA microphone rating -152.5 db^{***}

Gm (sensitivity)

Connector: Equipped with cannon XL-3-12 type connector in microphone.

Cable: 20 ft., 2 conductor shielded with cannon XLR-3-11-C connector attached (one end).

Finish: Textured light and dark gray enamel.

Swivel: Self adjusting lifetime swivel permits tilting the head 45° forward and 70° backward.

Shock Mount: Special live rubber vibration isolation unit.

Stand Thread: $5/8''-27$ thread.

Weight: 1 lb. 10 oz. (736 grams).

Shipping Weight: $3\frac{1}{4}$ lbs. (1474 grams).

Part No. 124 0032 553 (Type SM33)

SHURE SM50 MICROPHONE

The model SM50 is a rugged, omnidirectional microphone built to withstand the severest field use. It provides very natural and intelligible voice reproduction and unusual freedom from annoying wind and breath noises. Very comfortable hand-held, or mounted in the slip-in stand adaptor, the SM50 is ideally suited to remote interviews, news and sports pickups, and a variety of field and studio applications. The SM50 features natural response from 40 to 15,000 cps, highly effective built-in wind and breath filter, comfortable size, lightweight, and rugged construction.

Type: Dynamic.

Frequency Response: 40 to 15,000 cps.

Polar Pattern: Omnidirectional.

Impedance: Dual. 30-50 ohms and 150-250 ohms. (connected for 150-250 ohms when shipped).

Output Level: 1,000 cps response.

SM50 30-50 ohms — open circuit voltage -85.0 db^* (.053 mv).

Power level -58.0 db^{**}

EIA microphone rating.

Gm (sensitivity) -150 db^{***}

SM50 150-250 ohms — open circuit voltage -79.0 db^* (.111 mv).

Power level -58.0 db^{**}

EIA microphone rating -150 db***
Gm (sensitivity).

Connector: Cannon XL-3-12 type in microphone.

Cable: 20 ft two conductor shielded with Cannon XLR-3-11C connector (one end).

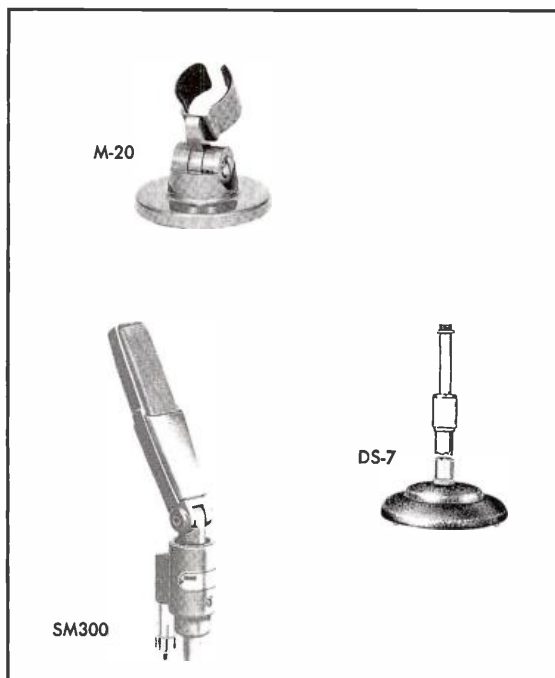
Finish: Textured dark gray enamel.

Swivel Adapter: Positive action 90° swivel to mount microphone to stand on fixture with 5/8"-27 threads.

Weight: 8 oz. (227 grams).

Shipping Weight: 2 lbs., 5 oz. (1049 grams).

Part No. 124 0032 554 (Type 5M50)



SHURE 300 MICROPHONE

The model 300 is an unusually compact ribbon microphone. The "300" is an excellent choice for broadcast or recording studio and for critical sound reinforcement applications in which its symmetrical front and rear pickup with greatly reduced side pickup is useful. Ideal for applications such as "across the table" interviews or dialogue. The bidirectional pattern provides the same control of overall surrounding noise and reverberation as an equivalent microphone. The model 300 features warm, smooth sound from wide range front and rear response, low frequency characteristic adjustable by means of a response selector switch, bidirectional polar pattern, built-in shock mount, impedance selection, and rugged mechanical design.

Type: Ribbon.

Frequency Response: 40 to 15,000 cps.

Polar Pattern: Bidirectional. Equally sensitive at front and rear. Response at sides down 15 to 20 db from front and rear response.

Impedance: Choice of three by switch. "L" 30 to 50 ohms, "M" 150 to 250 ohms, "H" high.

Output Level: 1,000 cps response.

Model 300 — 30 to 50 ohms "L" position.

Open circuit voltage -87.5 db* (.043 mv).

Power level into 50 ohms -60.5 db**

EIA microphone rating -153.0 db***

Gm (sensitivity).

Model 300 — 150 to 250 ohms "M" position.

Open circuit voltage -79.5 db* (.105 mv).

Power level into 250 ohms -59.0 db**

EIA microphone rating

Gm (sensitivity) -151.0 db***

Model 300 High Impedance "H" position

Open circuit voltage -57.5 db* (1.32 mv).

Loaded with 100,000 ohms -60.0 db**

Gm (sensitivity) -154.0 db***

Finish: Textured dark gray enamel.

Swivel: Self-adjusting lifetime swivel permits tilting the head 45° forward and 90° backward so that the microphone can be aimed at the source of sound.

Shock Mount: Live-rubber vibration-isolation unit.

Connector: Cannon type XLR-3-12 in microphone.

Cable: 20 ft., 2 conductor shielded with cannon XLR-3-11C (one end).

Stand Thread: 5/8"-27 thread.

Response Selector: Two position switch to adjust low frequency characteristic.

* 0db = 1 volt per microbar.

** 0db = 1 milliwatt with 10 microbars.

*** 0db = EIA Standard SE-105, August 1949.

Part No. 124 0032 555 (Type 300)

ELECTRO-VOICE AND ALTEC-LANSING MICROPHONES

A complete line of Electro-Voice and Altec-Lansing general purpose and specialized microphones, stands, call letter plates and accessories is sold by your Collins Broadcast Equipment Sales Engineer.

COLLINS M-20 MICROPHONE DESK STAND

A small, non-reflecting blue-gray stand that holds the Collins M-20 Microphone. The M-20 is held with a felt padded clamp that allows the microphone to be slipped in and out of the stand easily.

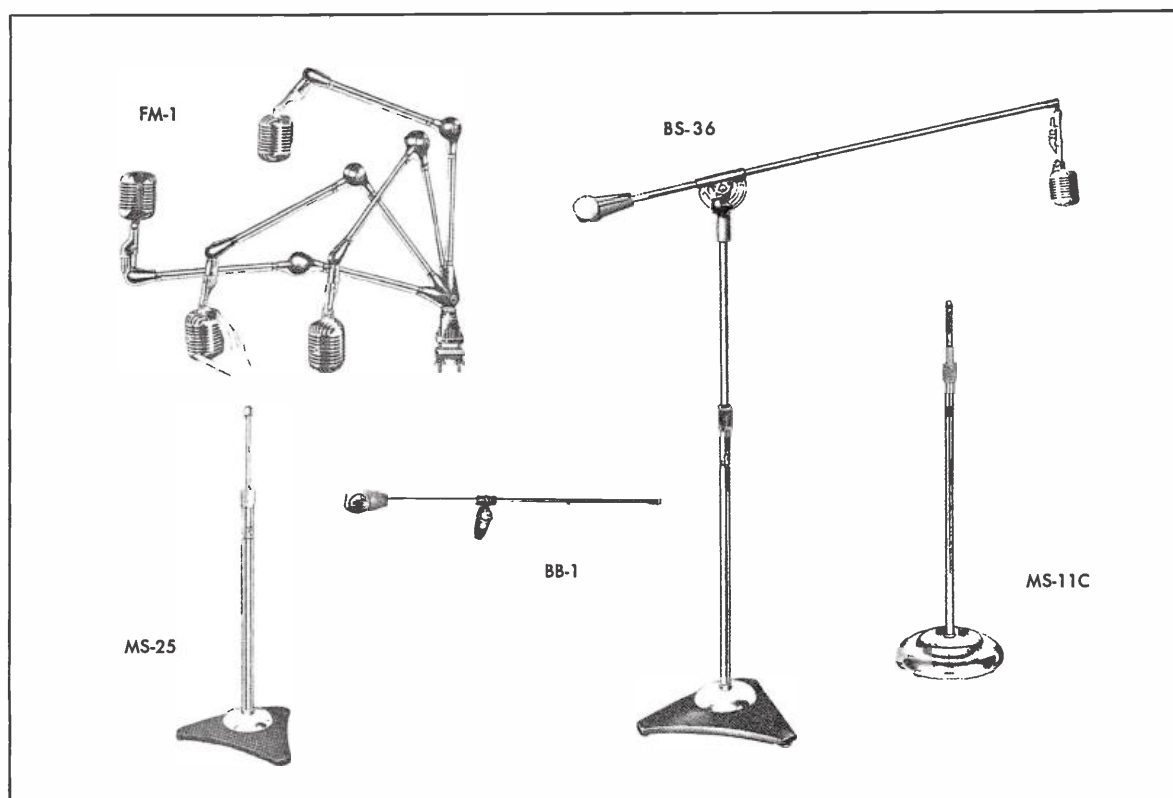
Part No. 097 5826 00

ATLAS DS-7 MICROPHONE DESK STAND

A general purpose, chrome plated adjustable desk stand with a base of cast iron and finished in gun metal shrivel finish. Stable base is equipped with pads to prevent damage to desk. Equipped with standard "velvet action" clutch adjustment. Thread size at microphone end is 5/8"-27. Adjustable from 8" to 12" (20.32 cm to 30.48 cm).

Weight: 3 lbs. (1.36 kg).

Part No. 097 1119 00



FLEXO MIKESTER FM-1

This arm will handle any mike up to 4 lbs. It can be instantly positioned, incorporates a patented enclosed spring-controlled swiveling device, swings out 36" in any direction when fully extended. Clamps or screws to any position. Clips hold cable in place.

Weight: 4¾ lbs. (2.15 kg).

Part No. 097 1499 00

ATLAS MS-25 FLOOR STAND

Features "safety air-lock cushion" to prevent slippage of telescoping section. Uses a large diameter, oversize telescoping tube (7/8" telescoping tube, 1½" base tube). Terminated in 5/8"-27 thread.

Finish: Chrome and gray wrinkle.

Height Adjust: 37" to 66" (93.98 cm to 167.18 cm).

Base Diameter: 17" (43.18 cm).

Weight: 24 lbs. (10.89 kg).

Part No. 097 1510 00

ATLAS BS-36/36W BOOM STAND

Professional Boom Stand features "safety air-lock" to prevent slippage, 62 inch boom with gyromatic swivel joint for microphone suspension. Vertical adjustment 48"

to 72". BS-36W provides ball bearing swivel casters.

Weight: BS-36 36 lbs. (16.4 kg). BS-36W 40 lbs. (18.2 kg).

Part No. 097 1500 00
Part No. 097 1790 00

(Type BS-36)
(Type BS-36W)

ATLAS BB-1 MICROPHONE BOOM

This 31" microphone boom may be attached to any type of floor stand. All swivel parts are precision die castings resulting in smooth operation and secure positioning. Boom is chrome plated and has 5/8"-27 thread.

Weight: 3½ lbs. (1.59 kg).

Part No. 097 0984 00

ATLAS MS-11C FLOOR STAND

Features an extended length clutch body, inner lined with a wear-proof locking collet which grips without jamming, slipping or sudden dropping. Includes self-leveling, shock absorbing base pads, plus three additional "anti-tip" points located between the base pads. Terminates in a 5/8"-27 thread.

Finish: Chrome or gray wrinkle (Model MS-10C).

Height Adjust: 35" to 65" (88.90 cm to 165.10 cm).

Base Diameter: 10" (25.4 cm).

Weight: 12 lbs. (5.44 kg).

Part No. 097 1511 00
Part No. 097 5729 00

(Type MS-11C)
(Type MS-10C)

COLLINS CUSTOM CONTROL DESKS

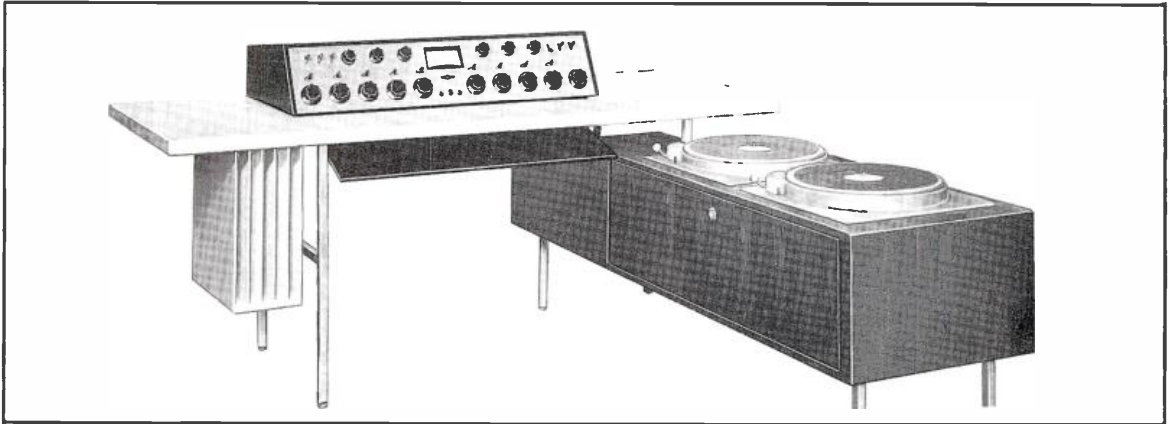
Attractiveness is combined with operational efficiency and economy in Collins control desks, custom designed to each broadcaster's requirements. These desks are sturdily constructed of wood covered with any of a wide range of patterns of long lasting Formica.

Among the features that may be incorporated without sacrificing attractiveness are adjustable feet, built-in rec-

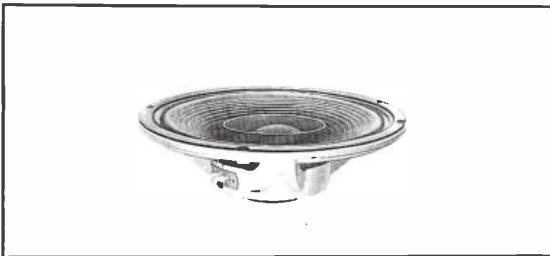
ord compartments, hidden console cables and provisions for rack mounting.

A Collins tape cartridge system desk wing console may be placed on left wing to give complete studio facilities in one compact unit. Collins will provide free estimates upon submission of the physical layout of the studio and an outline of functions desired for inclusion in the desk.

No Part Number



COLLINS CS-12 LOUDSPEAKERS



Producing the very finest in high fidelity sound, the Collins CS-12 loudspeaker produces a consistently stable and precise definition. The speaker is designed to operate equally well at full range or as woofers in multiway systems. The CS-12 features Radax construction, which divides the sound between the two cones. A mechanical crossover, when the smaller cone responds to the higher frequencies, occurs at 1,800 cps.

A slug-type magnet is used for concentrating flux density into the air gap. This type magnet has the lowest possible leakage and greatest structural strength. The high frequency long throw voice coil remains in the air gap even on the longest of excursions to prevent non-linear operation.

An edge-wound voice coil, which gains an equivalent of five extra watts from most amplifiers over round-wire coils, is wound with precision, flattened ribbon conductor.

Each speaker is carefully tested and inspected before leaving the factory. An individual frequency response

curve check is run on each speaker so that it matches the performance of the laboratory standard.

Frequency Response: 30-13,000 cps.

EIA Sensitivity Rating: 43 db.

Free-Space Cone Resonance: 40 cps.

Power Handling Capacity:

Program Material: 20 watt.

Peak: 40 watt.

Critical Damping Factor: 15.

Impedance: 8 ohm.

Mechanical Crossover: 1800 cps.

Voice Coil Diameter: 2".

Total Flux: 70,700 maxwells.

Power Required for 100 db level: 12 watt.

Mounting: Four 1/4" holes equally spaced on 11 1/2" circle.

Baffle Opening: 11".

Size: 12 1/4" diameter, 3 1/2" deep (31.12 cm diameter, 8.89 cm deep).

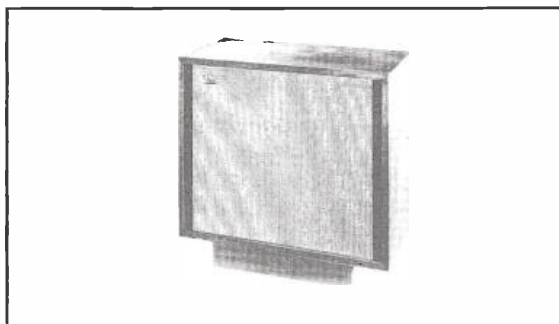
Weight: 5 1/2 lbs. (2.49 kg).

Part No. 124 0032 017 (Type CS-12)
Part No. 099 2686 000 Stancor A-3818 Speaker Transformer

FRAZIER MANHATTAN

Now a famous loudspeaker, made especially for built-in systems, is available as a handsomely finished cabinet model. Its unique reproduction qualities for bringing to life the whole musical spectrum of the symphonic orchestra, vividly and brilliantly are well known.

In actuality, the "Manhattan" enclosure is the well-known Frazier "Black Box I" that long has been the leading unit used in the finest built-in systems. The enclosure is a modified Helmholtz type using two slit-type tuning tubes, one on each side with a system consisting of



a special full range 8-inch loudspeaker unit, one 3½-inch high frequency unit, and one high pass filter mounted in a special enclosure. The base stand is a separate unit. The "Manhattan" mounts horizontally, vertically or can be used book shelf style.

SPECIFICATIONS

Useable Frequency Response: 40 cycles to beyond 15,000 cycles.

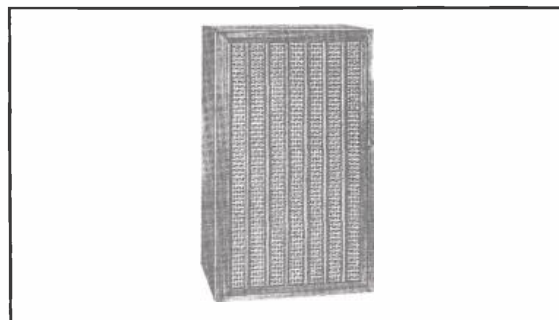
Efficiency: According to an independent testing laboratory, 1/10 of one watt provides sufficient power for living room listening level.

Impedance: 8 ohms.

Dimensions: 23 7/8 inches wide, 19 inches high, and 11 7/8 inches deep.

Finish: Oil walnut with cane fibre type grille.

THE FRAZIER MODEL XII



The new Model XII loudspeaker sets a new standard of excellence both in performance and appearance.

The marriage of the new twelve inch diameter low frequency driver, to the two special cone-type high frequency drivers through the media of a special network and unique fixed acoustical tuning arrangement provides unusual smoothness from low organ pipes to silky overtones of violins and flutes.

With this arrangement complete balance is obtained over the entire musical spectrum. Heavy bass is present, but all solo instruments also speak with authority. This loudspeaker's performance approximates live renditions to the extent many people have never heard.

Dimensions are: Fourteen inches wide; Twenty-four inches high; and Twelve inches deep.

Impedance: 8 ohms.

Shipping Weight: 54 pounds.

JENSEN P12-T SPEAKER

This economy speaker is ideal for a high fidelity system to which additional units may be added.

Impedance: 3.2 ohms.

Power Rating: 12 watts.

Baffle Opening: 10½". Jensen transformer (Stancor A-3818 speaker transformer) for P12-T speaker matches to 600 ohms.

Part No. 097 2119 00 (Type P12-T)

Part No. 099 2686 00
Stancor A-3818 speaker transformer.

JENSEN P8-T3 SPEAKER

Similar to the P12-T.

Impedance: 3.2 ohms.

Power Rating: 7 watts.

Baffle Opening: 6¾". Jensen transformer (Stancor A-3818 speaker transformer) for P8-TS speaker matches to 600 ohms.

Part No. 099 2644 00 P8-T3

Part No. 099 2686 Stancor A-3818 speaker transformer.

JENSEN LEVEL CONTROLS

Designed for use in voice coil or line circuits of similar nominal impedance, Jensen level controls are of the two-section L-pad type. They provide continuously adjustable level without disturbance of other circuit levels or total impedance. Single hole panel mounting. Complete with lock nut, pointer knob and flat metal escutcheon plate. Model ST-760 for 4 ohms impedance, 15 watts. Model ST-276, 8 ohm, 15 watts, L pad.

Part No. 097 2190 00 (Type ST-760)

Part No. 124 0032 123 (Type ST-276)

STANCOR A-3818 TRANSFORMER

Transformer for Collins CS-12, Jensen P12-T and P8-TS speakers.

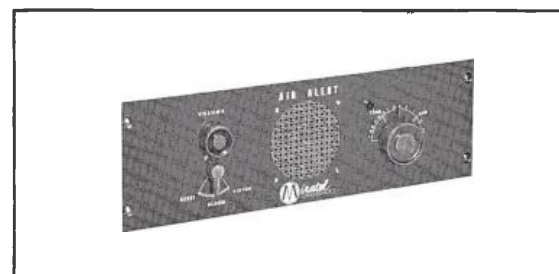
Primary Impedance: 500/1000/150 ohms.

Secondary Impedance: 15/8/4 ohms.

Power Rating: 25 watts.

Part No. 099 2686 00

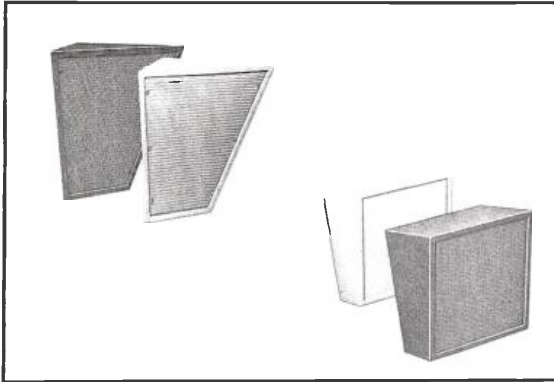
MIRITEL AIR ALERT



Designed to control visible and/or audible alarm circuits on EBS signal from local or sky wave stations. Frequently tunable from 550 to 1600 kc. Built-in speaker operates upon alarm. Relay circuit is voltage regulated. External bell or light control terminals and antenna terminals on rear terminal board. Available for rack mounting only.

Part No. 097 3192 000

ARGOS BAFFLES



Entire front is inset with plastic grille and cloth covered panel. Constructed of plywood and hardboard for good resonant tone. Extra reinforcing blocks and four bolts installed for mounting speakers. Covering is plastic coated leatherette. Available in blonde or walnut. Slanting corner baffle for 8" speaker (SCB-8D) or 12" speaker (SCB-12D).

Weight: 6 lbs. or 8 lbs. (2.72 kg or 3.63 kg). Wall baffle for 8" speaker (WB-8D) or 12" speaker (WB-12D).
Weight: 2½ lbs or 4¼ lbs. (1.13 kg or 1.93 kg).

- Part No. 099 2374 00 (Type SCB-8D)
Walnut finish.
- Part No. 099 2375 00 (Type SCB-8D)
Blonde finish.
- Part No. 099 2376 00 (Type SCB-12D)
Walnut finish.
- Part No. 099 2377 00 (Type SCB-12D)
Blonde finish.
- Part No. 124 0032 295 (Type WB-8D)
Walnut finish.
- Part No. 124 0032 296 (Type WB-8D)
Blonde finish.
- Part No. 124 0032 297 (Type WB-12D)
Walnut finish.
- Part No. 124 0032 298 (Type WB-12D)
Blonde finish.

TRIMM HEADPHONES

Lightweight, rugged headphones with black Bakelite shell and cap. Rubber covered headband.

Impedance: 600 ohms (Model 156) or 17,000 ohms (Model 157).

Weight: 5 oz. (0.14 kg).

- Part No. 273 0003 00 (Type 156)
- Part No. 273 0004 00 (Type 157)

BRUSH BA-206 HEADPHONES

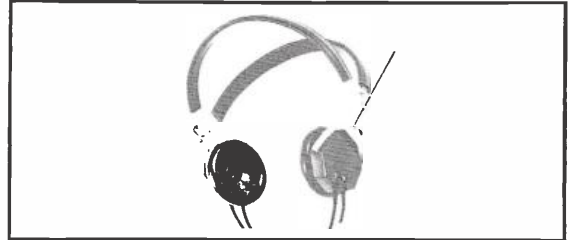


The Brush BA-206 headphones have an exceptionally flat response out to 10,000 cps and create outstanding

fidelity of reception. Their high impedance and negligible power requirements allow monitoring without any effects on associated equipment. The special "Metalseal" crystal elements provide maximum protection against excessive humidity.

Part No. 099 0495 00

BRUSH BA-200 HEADPHONES



Ideal for general purpose service, the Brush BA-200 headphones have a frequency range from 100 to 5,000 cps. They are especially suitable for general laboratory and studio work as well as for the skilled amateur.

Impedance: 45,000 ohms at 1,000 cps.

Weight: 6 oz. (0.17 kg).

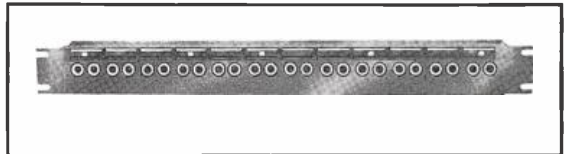
- Part No. 099 2488 000 (Type BA-200-1)
45000 ohm with plug.
- Part No. 099 2489 000 (Type BA-200-2)
45000 ohm with eyelet terminals.

PATCH CORDS

The plugs are of the shielded type, with the sleeves tied together and grounded. The circuit is maintained through connections to the plug tips. The following lengths are available: 6"; 12"; 24"; 36"; 48"; 60" and 120". Other patch plugs, phone jacks and single circuit jacks available.

- Part No. 361 0010 00 (6")
- Part No. 361 0011 00 (12")
- Part No. 361 0012 00 (24")
- Part No. 361 0013 00 (36")
- Part No. 361 0014 00 (48")
- Part No. 361 0015 00 (60")
- Part No. 361 0016 00 (120")

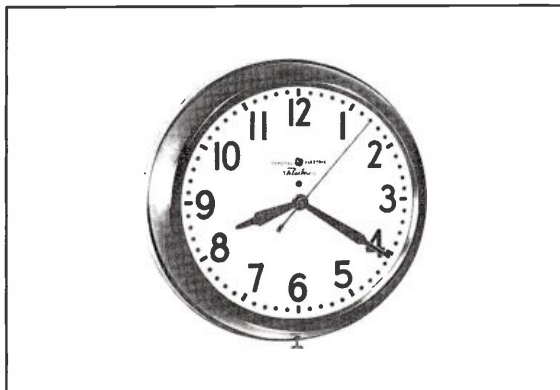
TRIMM JACK PANELS



These panels are available in 12 pair, single row and 24 pair, double row models to fit any standard 19" rack and include such features as: solid 5/8" thick Bakelite panel with steel reinforcing; heavy gauge, special spring temper nickel/silver alloy leaves; ground lugs aligned to allow single ground bus to be run full length of strip; large palladium silver contacts; connection lugs fanned out for ease of soldering.

- Part No. 097 3561 00
12-pair, single row.
- Part No. 097 4200 00
24-pair, double row.

TELECHRON 1H1612 STUDIO CLOCK



The Telechron "Commerce" clock has a 12" dial, rich brown case.

Part No. 097 1735 00

SHIELDED WIRE AND MICROPHONE CABLE

8758 — Belden 2-conductor #20, twisted, shielded pair, stranded copper conductors, vinyl insulated.

8738 — Belden 2-conductor #22, twisted, shielded pair, solid copper conductors, vinyl insulated.

439-5900-00 — Two-conductor #22 stranded, 7 No. 30 conductors, one red and one black conductor with one #22 groundwire. Shield is single right-hand wrap, #30 AWG maximum diameter of stranding. Nylon jacket, maximum outside diameter is .140".

8422 — Belden, shielded microphone cable, 2-conductor #22.

8412 — Belden, shielded microphone cable, 2-conductor #20.

423-0219-00 — High voltage wire, 15 kv breakdown insulation.

425-0061-00 — Shielded pair, #16 stranded cotton insulated, 15 amps.

425-0151-00 — Shielded pair, #12 stranded cotton insulated, 20 amps.

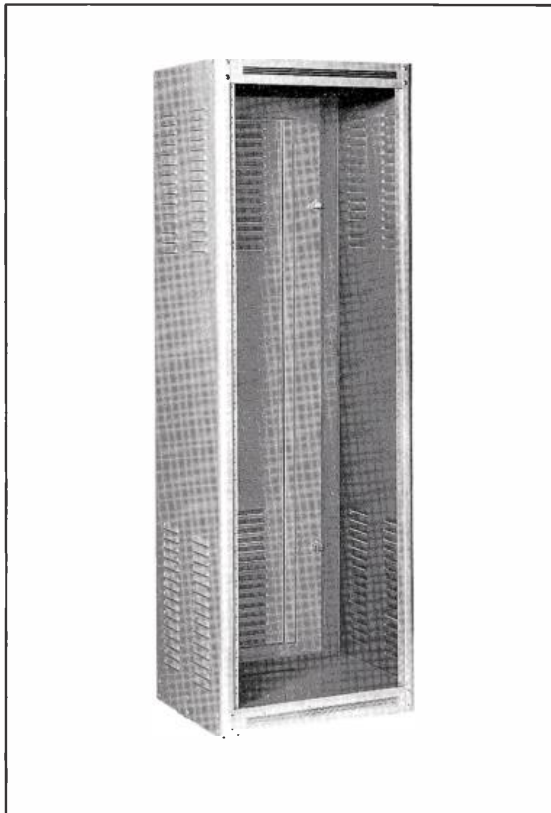
Part No. 124 0032 479	(Type 8758)
Part No. 097 6029 00	(Type 8738)
Part No. 439 5900 00	(Type 439 5900 00)
Part No. 097 1142 00	(Type 8422)
In lengths of less than 100 ft. More than 100 ft., see below.	
Part No. 097 1142 00	(Type 8422)
In lengths of 100 ft. or more. Less than 100 ft., see above.	
Part No. 425 0250 00	(Type 8412)
In lengths of less than 100 ft. More than 100 ft., see below.	
Part No. 425 0250 00	(Type 8412)
In lengths of 100 ft. or more. Less than 100 ft., see above.	
Part No. 423 0219 00	(Type 423 0219 00)
Part No. 425 0061 00	(Type 425 0061 00)
Part No. 425 0151 00	(Type 425 0151 00)

TRIMM 427-6 TERMINAL BOARD

Contains two groups of terminals, each 13 terminals long and 6 terminals high.

Part No. 097 6282 00

BUD RACK CABINETS



A heavy duty rack cabinet that is custom-made for Collins Radio Company. Finished in light gray, this cabinet is made of sturdy steel with a door on the back and provision at the top for mounting a blower fan. CR-1773-B provides 70" of panel space. CR-1772 provides 63" of panel space. Both are shipped knocked down.

Part No. 099 2474 000

(Type CR-1773-B 22" W, 76" H, 17 1/8" D.)

Part No. 124 0032 949

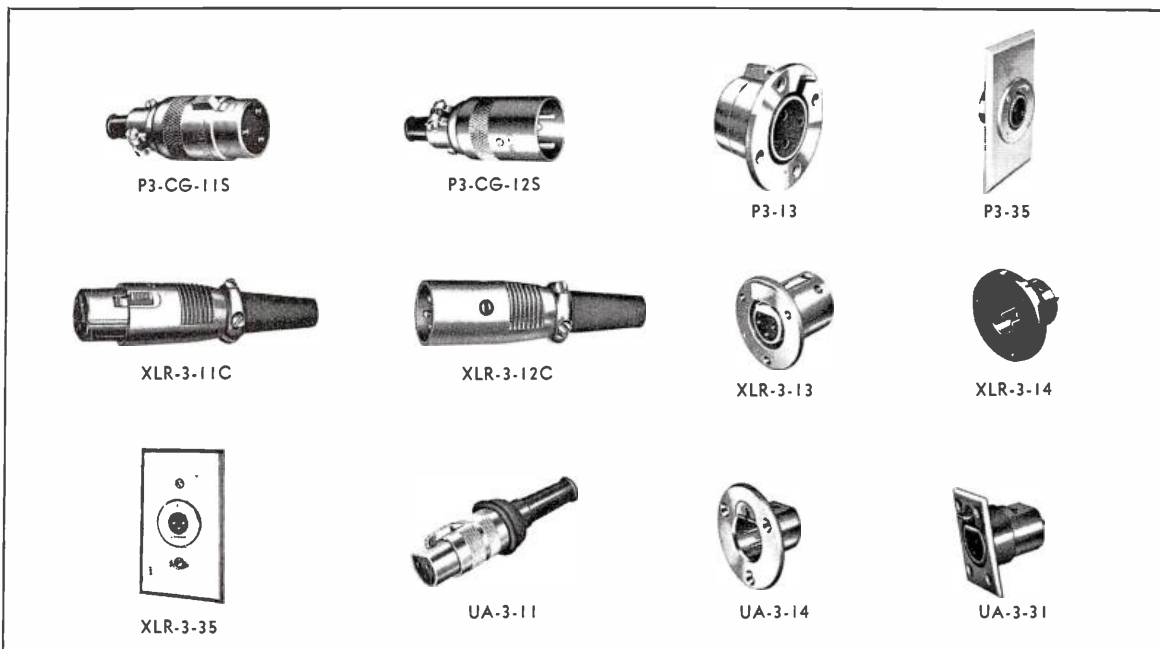
(Type CR-1772 22" W, 69" H, 17 1/8" D.)

For use with 820E/F transmitter.

RACK CABINET BLANK PANELS

These blank panels of 3/16" aluminum are finished in light gray to match the BUD CR-1773-A Rack Cabinet. Size: 19" W (48.26 cm W) and in heights as listed below.

	Inches	Cm.
Part No. 502 8389 123	(1 3/4")	(4.45)
Part No. 502 8393 113	(3 1/2")	(8.89)
Part No. 502 8397 123	(5 1/4")	(13.34)
Part No. 502 8401 113	(7")	(17.78)
Part No. 502 8405 113	(8 3/4")	(22.23)
Part No. 502 8409 123	(10 1/2")	(26.67)
Part No. 502 8413 113	(12 1/4")	(31.12)
Part No. 502 8417 113	(14")	(35.56)



CANNON CONNECTORS

Collins Radio Company is an authorized distributor of the full line of Cannon Connectors. The following is a listing of those connectors most often required in audio applications. All are three-contact plugs unless otherwise indicated.

P3-CG-11S — Cannon female cable plug.

P3-CG-12S — Cannon male cable plug.

P3-13 — Cannon female panel receptacle.

P3-14 — Cannon male panel receptacle.

P3-35 — Cannon single gang female wall receptacle.

P3-35-2G — Cannon 2 gang female wall receptacle.

XLR-3-11C — Cannon female cable plug.

XLR-3-11SC — Cannon female cable plug with latch-lock cable clamp.

XLR-3-12C — Cannon male cable plug.

XLR-3-12SC — Cannon male cable plug with latch-lock cable clamp.

XLR-3-13 — Cannon female panel receptacle, flush mount.

XLR-3-13N — Cannon female panel receptacle with lock nut.

XLR-3-14 — Cannon male panel receptacle, flush mount.

XLR-3-14N — Cannon male panel receptacle with lock nut.

XLR-3-35 — Cannon single gang female wall receptacle.

XLR-3-35-2G — Cannon 2-gang female wall receptacle.

XLR-3-36 — Cannon single gang male wall receptacle.

XLR-3-36-2G — Cannon 2-gang male wall receptacle.

UA-3-11 — Cannon female cable plug.

UA-3-12 — Cannon male cable plug.

PA-3-13 — Cannon female panel receptacle, flush mount.

UA-3-14 — Cannon male panel receptacle, flush mount.

UA-3-31 — Cannon female wall mount receptacle.

UA-3-32 — Cannon male wall mount receptacle.

Part No. 370 2180 00	(Type P3-CG-11S)
Part No. 370 2190 00	(Type P3-CG-12S)
Part No. 370 2060 00	(Type P3-13)
Part No. 370 2090 00	(Type P3-14)
Part No. 370 2150 00	(Type P3-35)
Part No. 370 2170 00	(Type P3-35-2G)
Part No. 097 5372 00	(Type XLR-3-11C)
Part No. 097 5371 00	(Type XLR-3-11SC)
Part No. 097 5370 00	(Type XLR-3-12C)
Part No. 097 5369 00	(Type XLR-3-12SC)
Part No. 097 5368 00	(Type XLR-3-13)
Part No. 097 5367 00	(Type XLR-3-13N)
Part No. 097 5366 00	(Type XLR-3-14)
Part No. 097 5365 00	(Type XLR-3-14N)
Part No. 097 5364 00	(Type XLR-3-35)
Part No. 097 5363 00	(Type XLR-3-35-2G)
Part No. 097 5362 00	(Type XLR-3-36)
Part No. 097 5361 00	(Type XLR-3-36-2G)
Part No. 370 2082 00	(Type UA-3-11)
Part No. 370 2081 00	(Type UA-3-12)
Part No. 370 2079 00	(Type UA-3-13)
Part No. 370 2083 00	(Type UA-3-14)
Part No. 099 0463 00	(Type UA-3-31)
Part No. 099 0464 00	(Type UA-3-32)



COLLINS 808A-1 REMOTE TURNTABLE-CONSOLE

A compact, completely transistorized portable unit, the three-channel 808A-1 is designed for quick, easy, high fidelity program origination in remote broadcasting. Ideal for promotion-type shows, the turntable-console offers complete facilities to feed program material into a telephone line to the broadcast station. The unit also will allow independent control of public address facilities and can be used to drive a remote amplifier such as the Collins 212H-1.

The 808-A-1 is especially suited for combination work in a small announce booth; for schools where an economical unit but complete facilities are needed; for use in conjunction with sound systems; and for standby studio facilities at the transmitter site in case of breakdown between the studio and transmitter.

The 808A-1 eliminates the need for multiple equipments. Once on location, the unit can be plugged in, connected to a remote line and it is ready for use. It can simultaneously combine the two self-contained turntable outputs with any one of three remote inputs. Built-in phono equalization meets RIAA standards. A VU meter indicates program level, and a headphone jack is provided for program monitoring. Line terminals and microphone jacks are located on the back of the unit.

A bottom dust cover, easily removed, protects the lower portions of the turntables, cabling and amplifiers. The preamplifiers attach to the control panel, which is remov-

able as a unit for servicing. Legs are detachable and self-storing beneath the unit. The sturdy, modern-looking cabinet is made of steel with a white and gray baked enamel finish. The panel and trim strips are brushed aluminum.

Controls on the panel include the following: and external input selector switch, which will select one of the external outputs of Mike 1, Mike 2 or NEMO; motor power switches which energize the turntable motors; three cue switches which are gauged to the fader control; three separate fader controls for the three inputs; master gain, which controls the over-all output signal; ac power switch, which is gauged to the public address gain; public address gain, which allows independent adjustment of the public address or other remote systems; headphone gain; and turntable shift levers for selection of proper turntable speed of 33, 45 or 78 rpm.

The remote amplifier, made up of six low level modules and one line amplifier module, uses eight General Electric 1175A low noise transistors and two Motorola 651 push-pull Class A-B transistors. Bias is stabilized over a wide temperature range by the use of a germanium diode. The turntable preamplifiers conform to NAB and RIAA specifications and feature a feedback design which offers a consistently stable performance.

Two Collins TT-200 Turntables with Rek-O-Kut S-320 pickup arms and General Electric sapphire cartridges are furnished with the 808A-1. Specially designed for radio

broadcast use, Collins Turntables maintain 99.95% accurate speed and have negligible wow and flutter. They are mounted on a strong cast aluminum base, and precision machining is used throughout.

Frequency Response: ± 2 db, 50-15,000 cps with 1,000 cps reference.

Gain: 100 db minimum on mike input.

Balanced Inputs: Mikes 1 and 2, 50 ohms, -55 dbm nominal. NEMO input 600 ohms, 0 dbm nominal.

Noise: Signal-to-noise ratio, 55 db.

Distortion: 2% maximum, 50-15,000 cps at +18 dbm.

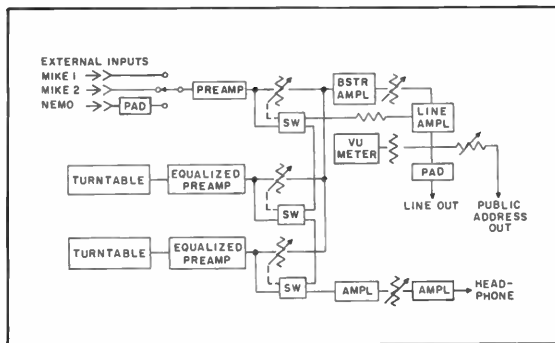
Power Output: +18 dbm (+8 VU) into 60 ohm program line. Adjustable, high impedance public address output.

Power Source: 120 v ac, $\pm 10\%$, 60 cps, 1 phase.

Size: 33 $\frac{1}{2}$ " W, 33" H (with legs), 20 $\frac{1}{2}$ " D (85.09 cm W, 83.82 cm H, 52.07 cm D).

Weight: 78 lbs. (35.38 kg).

Part No. 522 2609 00



BLOCK DIAGRAM 808A-1

COLLINS 212H-1 REMOTE AMPLIFIER



The only one of its kind on the market with so many advanced and deluxe features, the Collins 212H-1 is a three channel remote amplifier that provides adequate facilities for most remote applications.

The 212H-1 is transistorized throughout and is built into a highly punishable thermoplastic and vinyl-clad aluminum case. A handle is mounted on the rear chassis to allow quick and easy handling between remote locations. A snap-on cover of durable thermoplastic protects the panel, controls and VU meter.

The unit is completely self-contained and operates from

fourteen 1.5 volt flashlight batteries. These batteries supply power to the amplifier for about 200 hours. The supply is interlocked with the headphone jack so that the unit requires headphones to be plugged in before it becomes operational. The VU meter indicates remaining battery voltage.

A built-in phono equalizer on two of three channels provides instantaneous switching between two phonos and a microphone, or between three microphones. A built-in multiple tone generator allows a quick response check of the remote line or provides a standby tone of 100, 1000 or 5000 cps. Sure-grip thumb wheels 2 $\frac{1}{4}$ " wide indicate volume input control by a diagonally moving white stripe.

Frequency Response: ± 3 db 50-15,000 cps (1000 cps reference at +8 dbm output).

Gain: 90 db nominal on mike input.

Output: Line — Normal, +8 VU (+18 dbm) into 600 ohms; Low, 0 VU (+10 dbm) into 600 ohms; Bridge — -40 dbm into 250 ohms.

Power Source: Self-contained batteries — twelve 1.5 v flashlight batteries for amplifier and two 1.5 v batteries for meter light.

Distortion: 2% maximum 50-15,000 cps +18 dbm output.

Noise: -115 dbm equivalent input noise or less (-55 dbm input, -60 db noise).

Inputs:

- One:
 - a. Unbalanced mike.
 - b. Phono, equalized for magnetic cartridge.
- Two:
 - a. Low impedance balanced mike.
 - b. Self-contained tone generator.
- Three:
 - a. Unbalanced mike.
 - b. Phono, equalized for magnetic cartridge.

Output Connectors:

- a. Program line, binding terminal posts.
- b. Bridge feed, male Cannon connector.
- c. Program monitor, headphone jack.

Ambient Temperature Range: -20°C to $+50^{\circ}\text{C}$ (-4°F to $+122^{\circ}\text{F}$).

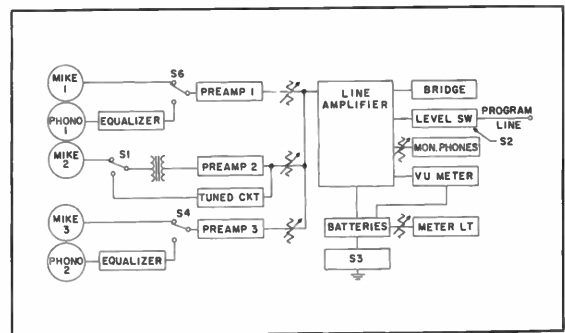
Ambient Humidity Range: Up to 95%.

Size: 10" W, 4 $\frac{1}{2}$ " H, 12" D (25.4 cm W, 11.43 cm H, 30.48 cm D).

Weight: 11 lbs. (4.99 kg).

Color: Green, white and gray.

Part No. 522 2419 00
Includes batteries.



BLOCK DIAGRAM 212H-1

COLLINS 212Z-1 REMOTE AMPLIFIER



Weighing a total of 22 pounds including batteries and carrying case, the 212Z-1 offers full functions for remote broadcasts. This transistorized remote amplifier mixes inputs from up to four microphones, with program line and communication line outputs as well as an auxiliary output for PA feed.

A power source of both 115 v ac and batteries assures uninterrupted service. Should the ac power fail, an automatic changeover switches the 212Z-1 to battery power and reverts when ac power is restored. A light on the panel indicates when the 212Z-1 operates on ac power. The self-contained batteries have a long life of about 75 hours.

The Collins 212Z-1 is attractively styled—yet rugged and convenient to use. Housed in a Royalite carrying case, the 212Z-1 securely fastens to the bottom of the case. The 212Z-1 has a black and metallic blue-gray abrasion-resistant finish.

The four channel mixing circuit incorporated in the amplifier is designed to work with all microphones having a 30 to 600 ohm impedance. The output circuit matches a 600 ohm line. Provisions are made for two program lines and a telephone through the output switch.

Although simultaneous program feed and communication cannot take place over a single line at the same time, the output switch allows rapid interchange between communication and the amplifier output on the same line.

The power supply is a shielded, full-wave unit with germanium diodes and multi-section filtering. A power interlock switch insures no battery drain when the unit is in its closed carrying case.

The Collins 212Z-1 Remote Amplifier is completely transistorized throughout. The tone oscillator, preampli-

fiers and interstage amplifiers use 2N422 hermetically-sealed low noise transistors. The driver employs a 2N465 transistor. The output amplifier, with transformer coupling on the input and output sides, has push-pull 2N44 transistors.

Since line levels are most easily set up by means of a steady audio tone, the 212Z-1 includes a built-in audio tone oscillator as a standard feature.

One or two headphones may be plugged into the monitor jacks. Where loudspeaker monitoring or feed for local public address is desired, the PA terminals are used. An isolated PA feed and an individual gain control allow the operator to handle the program and simultaneously ride gain on the PA system. A multiple jack on the side permits two units to be used simultaneously and controlled by one master gain control.

Frequency Response: ± 1.5 db 50-15,000 cps.

Input: 4 channels selected by Daven step-type attenuators numbered to correspond with input plugs.

Input Impedance: 30-600 ohms.

Gain: 90 db maximum.

Noise Level: 55 db below normal output level.

Distortion: Less than $1\frac{1}{2}\%$ at +5 dbm.

Power Output: Normal +11 dbm; emergency +16 dbm.

Output Impedance: 600 ohms (150 ohms available).

Power Source: 115 v or 230 v ac 50/60 cps or self-contained batteries, such as one 4.5 v Burgess D-3 or Eveready 726, and two 22.5 v Eveready 763. Life of 22.5 v battery is approximately 75 hours; 4.5 v approximately 90 hours. (Batteries not supplied with unit.)

Microphone Connections: 4 Cannon XL-3-13N.

Ambient Temperature Range: 0°-45°C.

Ambient Humidity Range: Up to 95%.

Size: 15 $\frac{1}{2}$ " W, 6 $\frac{1}{2}$ " H, 14 $\frac{1}{2}$ " D (39.37 cm W, 16.51 cm H, 36.83 cm D).

Weight: 22 lbs. (9.98 kg) (with batteries).

Part No. 522 0330 003

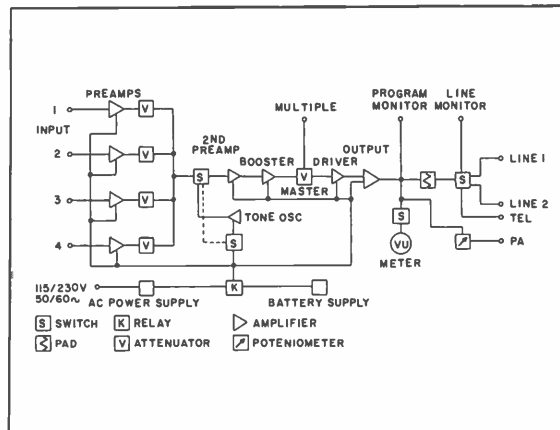
212Z-1 without batteries.

Part No. 015 0520 000 (Type 763)

Two batteries required in addition to one Type 726 battery (below).

Part No. 015 0519 000 (Type 726)

One battery required in addition to two Type 763 batteries (above).



BLOCK DIAGRAM 212Z-1

MARTI REMOTE PICK-UP EQUIPMENT

Marti Remote Transmitter and Receiver provide quality transmission of sports, spot news reports and interviews on frequencies assigned for exclusive use by broadcasters. The unit is compact and light enough to be carried into stadiums and press boxes as easily as a multi-channel remote amplifier.

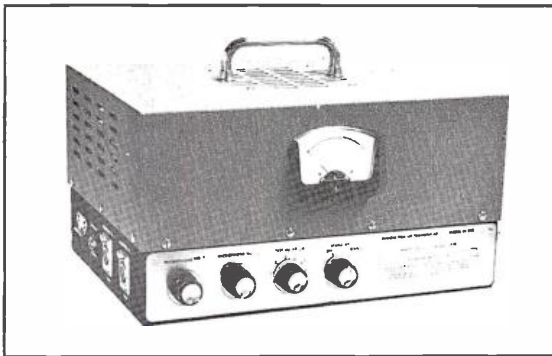
The audio quality of the Marti for music or voice transmission is guaranteed to be equal to or better than lines with coverage up to 40 miles radius depending upon the type and location of the transmitting and receiving antennas. The Marti Receiver is equipped with an automatic relay that operates an alarm system in the station to indicate a forthcoming broadcast.

The unit may legally be used instead of lines even where lines are available. Many stations, after installing the Marti system, have standing sponsorship of all their remote programs and have actually paid for the equipment in savings on line charges alone. The equipment also opens new program possibilities that are overlooked because of inconvenience in using other, cumbersome and less reliable means.

The Marti Transmitter is operated either by ac or batteries. Designed for continuous duty, the equipment meets the most stringent FCC requirements regarding bandwidth.

It is easily portable and lightweight and does not require frequent tuning. The transmitter and transistorized power supply and associated equipment are easily installed in a car for permanent and immediate use.

M-30B/TPS MOBILE TRANSMITTER



The M-30B/TPS is a 30 watt base station transmitter for communication with mobile units operating in the 152 to 172 megacycle range. The unit provides frequency stability of $\pm .0005\%$ within a temperature range of minus 30 degrees C to plus 60 degrees C. The modulation characteristic is adjusted at the factory for ± 7.5 kc for 100% modulation at 1000 cycles.

R. F. Output: 30 Watts, continuous

Frequency: 152-172 megacycles

Crystal Multiplication: 36

Spurious Emission: Spurious Radiation attenuated at least 70 DB below carrier level. Harmonics suppressed at least 60 DB.

Frequency Stability: Plus, or minus 0.0005%

Temperature Range: Minus 30 degrees C to Plus 60 degrees C.

Modulation: 30 F3 Maximum (Normally adjusted for Plus or Minus 10 Kcs. swing.)

Audio Inputs: Two (2). Can be adjusted for either 150 ohms or 600 ohm input. Use of a 50, 150, or 250 microphone will work satisfactorily into the 150 ohm input.

Audio Input Level: Minus 70 DB.

Audio Connectors: Cannon XLR-3-31.

Power Requirements: 120 Volts AC or 12.6 Volts DC.

Modulation Control: Push-pull Limiter.

Noise Level of Transmitter: Better than Minus 45 DB.

Overall Response With Matched Receiver: Plus or Minus 2 DB from 75 to 7500 cycles.

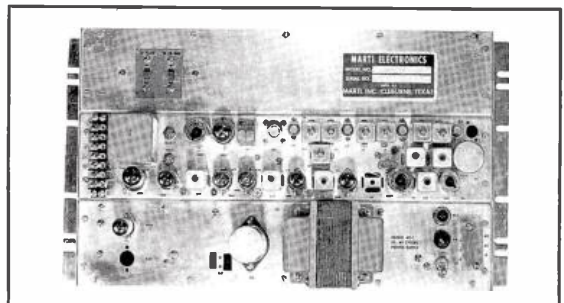
Distortion in Transmitter: Less than 3%.

Net Weight: 16 pounds.

Dimensions: 14" wide, 10" long, and 7" high.

Part No. 099 1572 000

MARTI MR-30/150 = 170 RECEIVER



The MR-30/150-170 receiver is used for pickup from a mobile station operating in the 150 to 174 megacycle range. The receiver is sensitive to 0.6 micro-volts or less for 20 db quieting, and is selective to -100 db at ± 32 kc; -6 db or less at ± 15 kc.

Application: Remote Pickup.

Frequency Range: 150 to 174 megacycles.

Spurious Response: All spurious and image responses attenuated at least 100 db.

Overall Response: ± 2 db, 60 to 7500 cps with matching transmitter.

Frequency Stability: $\pm 0.0005\%$ with crystal oven.

Temperature Range: -40°C to $+70^{\circ}\text{C}$.

Audio Output: +8 VU at 600 ohms.

Metering: Signal strength and VU brought out to test Jacks. Visual metering optional.

Tube Complement: 15 required. 8 tube types.

6DS4 — 1st RF Amp. (Nuvistor)

6DS4 — 2nd RF Amp. (Nuvistor)

6DS4 — 1st Mixer (Nuvistor)

- 6DS4 — HF Osc. Trip. (Nuvistor)
- 6HS6 — 1st IF Amp.
- 12AT7 — 2nd Mixer & LF Osc.
- 6HS6 — 2nd IF Amp.
- 6HS6 — 3rd IF Amp.
- 6BH6 — 1st Limiter
- 6BH6 — 2nd Limiter
- 6AL5 — Discriminator
- 12AX7 — Noise Amp.
- 12AT7 — Noise Rect. & Relay Amp.
- 6CG7 — Audio Amp.
- OB2 — Voltage Reg.

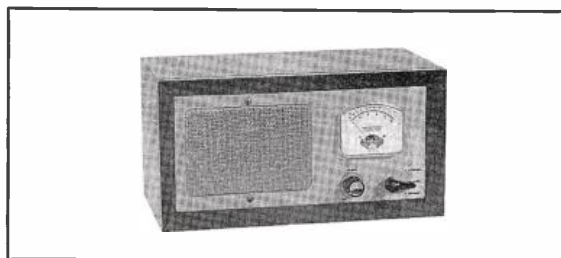
Dimensions: 10½" H, 19" W, 9" D. Panel finish — WE hammertone grey.

Weight (net): 20 lbs.

MARTI REMOTE EQUIPMENT ACCESSORIES

MOBILE ASSEMBLAGE — Consists of control unit, all battery and control cables and mounting rack for the M-30B/TPS transmitter (Type TPS-TC).

REMOTE CONTROL CONSOLETTTE — For use with M-30B or M-30B/11RS-2R (Type RMC-1). Constructed of wood cabinet and aluminum anodized front panel, complete with VU meter.

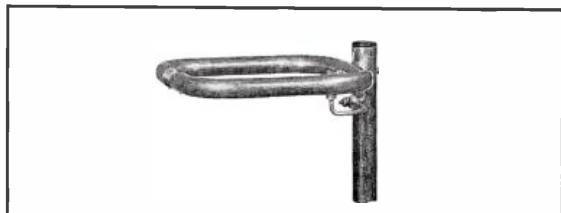


Size: 14" W, 9" H, 10" D (35.56 cm W, 22.86 cm H, 25.4 cm D).

Part No. 099 0542 00

The following antennas are tuned or cut to frequency with a standing wave ratio of less than 1.5:1 and are designed for 50-52 ohm transmission lines.

SINGLE RING ANTENNA — Essentially non-directional, horizontally polarized and unity gain.



Specify whether for portable (PA-1) or mobile (MA-1)

use.

Part No. 097 6952 (Type PA-1)
Part No. 097 6953 (Type MA-1)

TWO RING ANTENNA — Essentially non-directional, horizontally polarized. Has a gain of 3 db (Type RA-2).
Part No. 099 0543

ANTENNA BUMPER MOUNT — Chain link bumper mount (Type ASP-143) for use with mobile antenna.
Part No. 097 6880 00

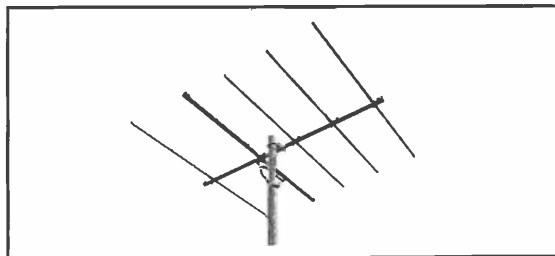
FOUR RING ANTENNA (TYPE RA-4) — Essentially non-directional, horizontally polarized. Has a gain of 6 db and power gain of 4.

Impedance: 52 ohms.

Weight: 11 lbs.

Part No. 097 6950

FIVE ELEMENT YAGI ANTENNA (TYPE YC) — Unidirectional antenna.



Nominal Impedance: 50 ohms.

Average Gain: 9 db.

Typical VSWR: Under 1.5.

Typical Rear Signal Rejection: 25 db.

Power Handling Capacity: 60 watts.

Input Connector: Type AN-SO-239 (Amphenol Type 83-1R).

Polarization: Horizontal or vertical.

Part No. 099 0177

COAXIAL STACKING HARNESS — Required for stacking two, five element Yagi antennas. It is made up of two sections of RG-11/U 75 ohm coaxial cable joined at the center by a coaxial "T" fitting. Each "half" of the phasing harness is an odd multiple of a quarter wave length and by virtue of its characteristic impedance and length, steps the 50 ohm antenna impedance to 100 ohms. When the two cables are joined at the "T" connector, the impedance again becomes 50 ohms (Type 2YC).
Part No. 099 0190

KREKO VERTICALLY POLARIZED ANTENNA — This vertically polarized base antenna has a gain of 6 db (Type SC-155-B).
Part No. 099 0544

VEHICLE ROOFTOP ANTENNA — Designed especially for mounting on a vehicle, this antenna has a 3 db gain (Type ASP-177).
Part No. 099 0545

COAXIAL CABLE AND CONNECTORS — The following coaxial cables and connectors may be used with the Marti Remote Pick-Up Equipment:

Part No. 099 0146

RG 8/U coaxial cable, 100'.

Part No. 099 0137

RG 17/U coaxial cable, 100'

Part No. 099 0546 00

RG 8/U connector PL-259 (Type 83-ISP).

Part No. 099 0547 00

RG 8/U straight adapter PL-258 (Type 83-IJ).

Part No. 099 0548 00

RG 17/U to RG 8/U connector (Type GR-6355).

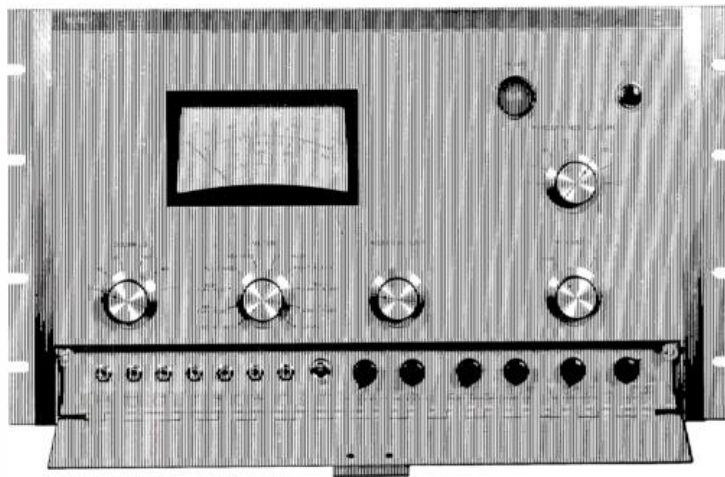
Part No. 097 7023

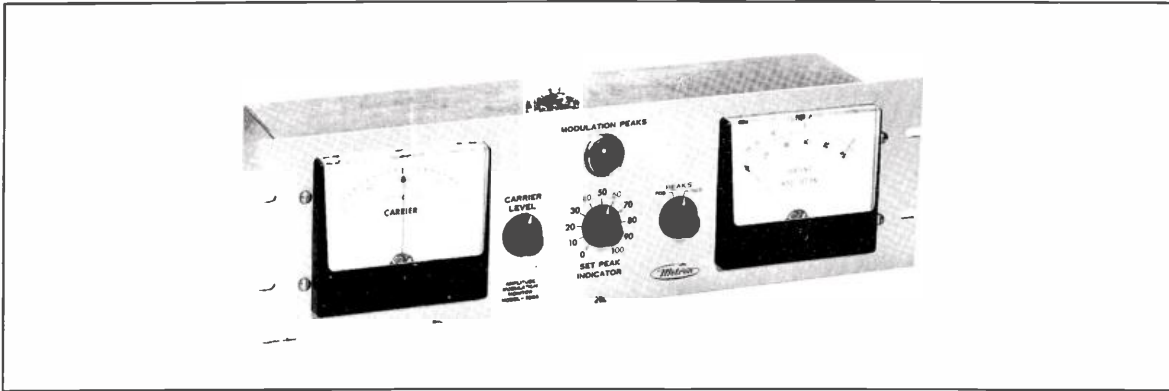
RG 253/U Spir-O-line cable, ½", polyethylene jacketed

Part No. 099 0549 00

Spir-O-line RG 253/U to PL-258 connector (Type 87-500).

Measuring, Monitoring, Remote Control





METRON 506B-1 AMPLITUDE MODULATION MONITOR

Occupying only 5¼ inches of rack space, the fully transistorized Metron 506B-1 Amplitude Modulation Monitor continuously measures modulation of the AM r-f carrier.

Meeting or exceeding FCC requirements, the 506B-1 mounts in any standard 19-inch rack or cabinet. Frequently used controls are conveniently located on the front panel together with two easy-to-read illuminated meters for monitoring carrier level and percentage modulation.

Modulation peaks are indicated by a flashing lamp. Flashing level is adjustable from 0 percent to 100 percent modulation. Lamps operate at 60 percent of rated voltage to assure long life.

All external connections are made at the back of the unit. The r-f input may be made to either a coaxial receptacle or barrier type terminal strip. A remotely controlled modulation meter and/or remote flasher may be connected to terminals provided and may be switched in or out at will without affecting circuit calibration.

Two auxiliary audio outputs are provided. One of these is a high impedance, high level output for fidelity measurement; the other feeds a 600-ohm audio monitoring circuit.

Input impedance: 75 ohms

Frequency range: 0.5 to 1.6 mc

R-f power required: 0.5 watts (6 to 20 v rms)

Power requirement: 105 to 125 v a-c, 50 to 60 cycles, 10 watts

Dimensions: W 19", H 5½", D 5" (W 48.26 cm, H 13.31 cm, 12.7 cm)

Weight: 10 lbs. (4.54 kg)

MODULATION PERCENTAGE METER

Accuracy: ±2% of full scale, modulating frequency 1000 cps

Response: ±0.3 db, 30 cps to 100 kc

±0.1 db, 100 cps to 30 kc

MODULATION PEAKS FLASHER

Range: Continuously adjustable, 0% to 100%

Flash point: Flashes when negative modulation exceeds dial set point by more than 2%

Accuracy: ±2% of full scale, 30 to 15,000 cps

AUDIO MONITORING OUTPUT

Response: ±0.5 db, 30 cps to 100 kc

Distortion: Less than 0.2%, 600-ohm load

Output voltage: 0.5 v rms, 100% modulation with 600-ohm load

FIDELITY MEASURING OUTPUT

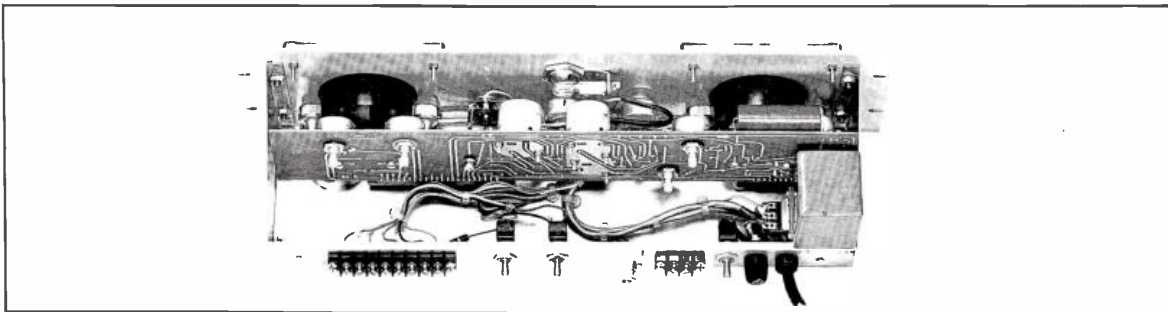
Response: ±0.5 db, 30 cps to 100 kc

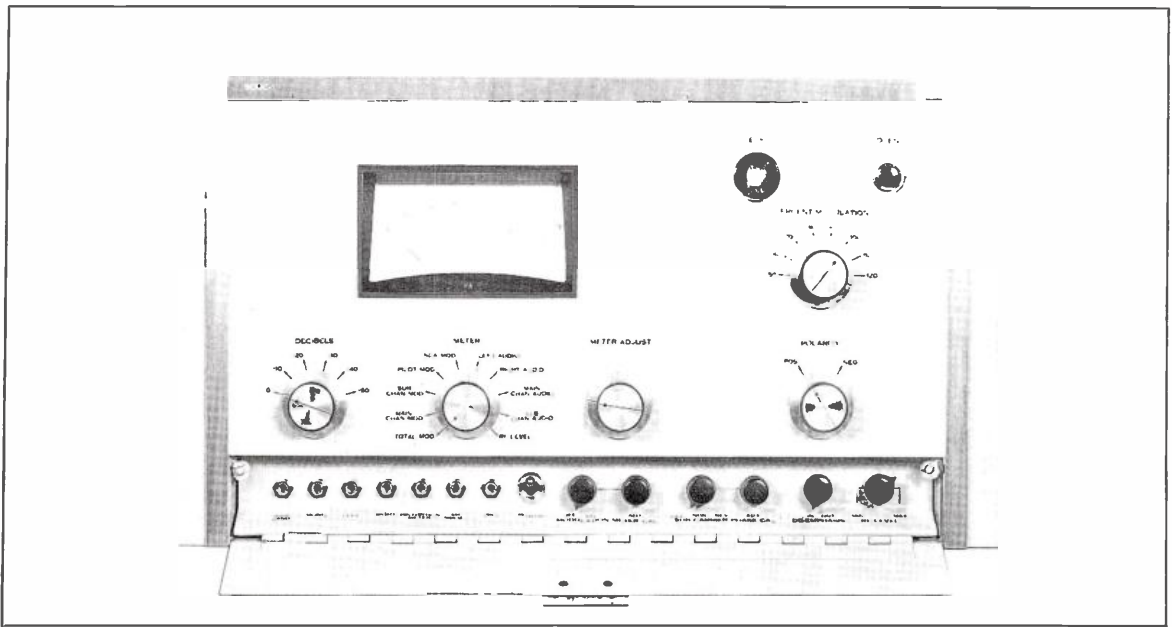
Distortion: Less than 0.1%, 600-ohm load

Hum and noise level: At least 80 db below 1.5-v rms signal level

Output voltage: 3.5 v rms at 100% modulation with load resistance exceeding 100,000 ohms shunted by capacitance of less than 500 mmf.

Part No. 124 0061 032





COLLINS 900C-1 FM STEREO MODULATION MONITOR

The versatility of the 900C-1 is highlighted by these capabilities:

- Total peak frequency deviation measurement.
- Individual modulation component deviation measurement.
- Stereo signal demodulation for channel separation measurement.
- Channel cross-talk measurement.
- Both monaural and stereo outputs for monitoring and proof-of-performance as required.
- Wideband output for visual proof of separation with oscilloscope.
- AM noise level output for VTVM measurement.
- Test points for pilot carrier frequency measurements.

Versatile and dependable, the Collins 900C-1 FM Stereo Modulation Monitor assures the broadcaster accurate measurement and monitoring of FM stereo multiplex programming in accordance with FCC standards.

Fully transistorized, the unit uses a minimum of primary power, has low heat dissipation and is carefully engineered and manufactured to assure long life through the use of conservatively-rated components.

Plug-in wired circuit cards not only enhance the unit's flexibility and versatility but also speed up fault isolation and maintenance, keeping down-time to a bare minimum.

The 900C-1 has proper phase and frequency response, reads peak values of complex audio signals and has the necessary demodulation circuits. These requirements are not met by monaural monitors, even with modification.

The 900C-1 provides the demodulating circuitry required not only to measure total peak frequency deviation

of the carrier in the 50 cycle to 75 kilocycle range but also to measure deviation caused by the different bands of modulating frequencies: main channel, stereo subchannel, pilot carrier and SCA subchannel.

Total modulation is measured with the peak light and meter; individual modulation components are checked by the meter alone. A self-contained voltmeter is used for direct measurements of channel separation, cross-talk and signal-to-noise ratio.

Careful attention to engineering design and excellence in manufacturing, traditional at Collins, make the 900C-1 an invaluable tool for the current needs of FM and stereo broadcasters.

Referring to the block diagram, the signal flow is as follows:

The input RF is attenuated and mixed with the output of an oscillator-tripler which has an output frequency 500 kc above the input signal carrier frequency.

The 500 kc intermediate frequency is coupled through an isolation stage to a limiter and pulse counter which delivers constant area pulses to a phase linear low pass filter. The filter's output is the wideband audio containing all frequencies between 50 cps and 75,000 cps which are modulating the transmitted carrier. At this point the audio is fed to the modulation metering and stereo demodulator circuits.

In the modulation metering circuit, the wideband audio is fed to a phase splitter which delivers two outputs of opposite phase. One of these, selected by the front panel modulation polarity switch, is fed to the peak light circuit and the true peak reading voltmeter circuit.

Switched filters in the audio path break up the total modulation into the four different bands: main channel, stereo subchannel, pilot carrier and SCA subchannel.

In the stereo demodulator circuit, the audio signal from the phase linear low pass filter has the 19 kc pilot carrier separated, doubled to 38 kc and amplified to a level capable of driving the switching diodes. The switch breaks the composite signal into left and right output signals and amplitude correction is made by cross-coupling left and right outputs. The two outputs are filtered to remove all frequencies above 15 kc and then are identically amplified to provide left and right signals.

A built-in calibration circuit assures proper phasing of the regenerated 38 kc subcarrier as required for accurate stereo demodulation.

MODULATION METER SECTION

Meter Positions: Total modulation, main channel modulation, stereo subchannel injection, pilot carrier modulation, SCA subchannel injection.

Meter Range: 0%-133% for total, main and stereo subchannel modulation. 0%-30% for pilot carrier and SCA subchannel injection.

Accuracy: 5% over entire scale.

Meter Characteristics: Rise time, decay time and damping factor as prescribed by FCC for FM monaural monitors (all meter positions).

Frequency Response: ± 0.5 db from 50-75,000 cps.

Calibration: Self-contained calibrating signal source.

External Meters: Provisions for adding series meter in short line (100 foot maximum) or remote meter in telephone line (5000 ohm maximum loop resistance).

PEAK LIMIT INDICATOR LIGHT

Range: Threshold adjustable from 50%-120% modulation.

Response: Will flash on modulation peaks of 20 milliseconds duration or greater.

External Indicators: Provision included for external peak limit indicator light.

MONAURAL AUDIO SECTION

Outputs: 0 dbm unbalanced (600 ohm flat or de-emphasized). 10 v rms across 10,000 ohms (flat or de-emphasized).

Frequency Response: ± 0.5 db from 50-15,000 cps or within 1.0 db of standard 75 microsecond de-emphasis curve.

Distortion: 0.25% max. 50 cycles per second to 15 kc at 100% modulation.

Signal-to-Noise Ratio: 75 db.

STEREOPHONIC AUDIO SECTION

Outputs: 0 dbm unbalanced (600 ohms flat or de-emphasized). Distortion meter output: 10 v rms across 10,000 ohms unbalanced.

Frequency Response: ± 1 db from 50-15,000 cps or within 1.0 db of standard 75 microsecond de-emphasis curve.

Distortion: .5% max. from 50-15,000 cps at 90% modulation.

Signal-to-Noise Ratio: 55 db on self-contained voltmeter. **Channel Separation:** 40 db from 50-15,000 cps. Read on self-contained audio voltmeter.

Channel Cross-Talk: 45 db. Read on self-contained audio voltmeter.

Stereophonic Subcarrier Suppression: 60 db. Read on self-contained audio voltmeter.

Pilot Carrier Phasing: Transmitter pilot carrier phasing adjusted for proper 0 crossing after calibration of stereophonic subcarrier regeneration in monitor.

GENERAL

RF Input: 4-10 v rms at 50 ohms. Input on rear of unit. **Outputs:**

Rear Chassis—Left Channel, Right Channel, Monaural, Remote Meter, Remote Peak Indicator, Wideband Output, IF (500 kc) Output for Frequency Meter, and 19 kc Output (for frequency measurement).

Front Panel—Wideband Output, Monaural Audio Output, Left Audio Output, Right Audio Output, Distortion—Measurement Output, 38 kc, 19 kc, and AM Noise Measurement Output.

Controls:

Front Panel—Function Selector, Voltmeter Reference Adjust, Voltmeter Range Adjust, Peak Indicator Threshold Adjust, Modulation Polarity Select.

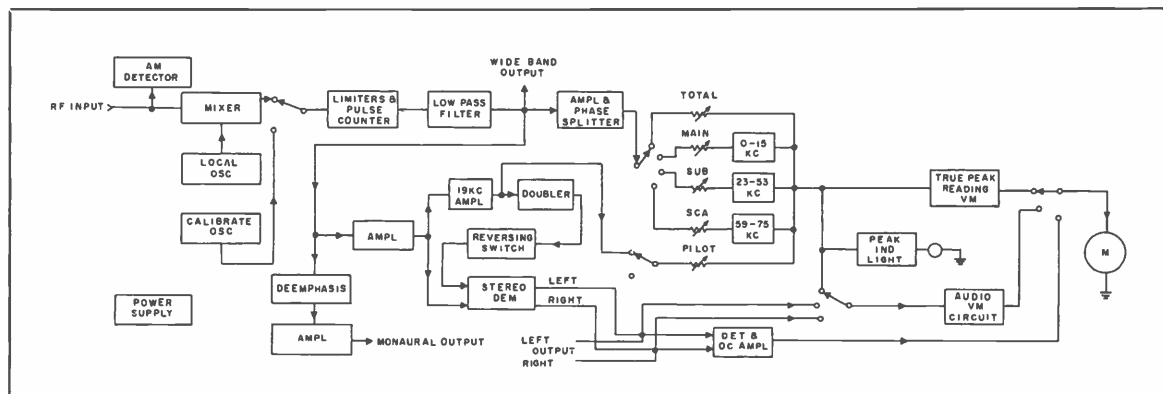
Subpanel—Modulation Meter Calibrate Switch, Modulation Meter Calibrate Adjust, Subcarrier Phase Calibrate Switch, Subcarrier Phase Calibrate Adjust, De-emphasis Switch, RF Input Level Adjust, and Power On-Off.

Size: 19" W, 10 $\frac{1}{2}$ " H, 13-25/32" D (48.26 cm W, 26.67 cm H, 33.02 cm D).

Weight: 35 lbs. (15.88 kg).

Primary Power: 120 v or 240 v $\pm 10\%$, 50-60 cps, 50 watts.

Part No. 522 3275 000



BLOCK DIAGRAM 900C-1

NEMS-CLARK 108-E PHASE MONITOR

Provides an indication of the phase relations in directional antenna systems, and is tailored for the particular installation. It usually incorporates provision for indicating the relative amplitudes of the currents in the various antennas, as well as the phase relation. Specify requirement for monitoring 2, 3, 4, or over 4 elements.

Frequency Range: 100 kc to 2 mc.

Phase Angle Range: 0° to 360°.

Monitoring Accuracy: 1°.

Resolution: 1/2°.

RF Input Impedance: 50 or 70 ohms nominal.

RF Voltage Range: 1-7 v.

Tubes: Two 6AU6, two OB3, one 5Y3 and three 6AL5.

Power Requirements: 105-125 v, 80 watts.

Size: 19" W, 14" H, 7" D (48.26 cm W, 35.56 cm H, 17.78 cm D).

Weight: 20 lbs. (9.07 kg).

Part No. 099 0366 000 (2 element)

Part No. 099 0367 000 (3 element)

Part No. 099 0368 000 (4 element)

Part No. 099 0369 000 (over 4 element)

NEMS-CLARKE FIM-135 FIELD INTENSITY METER



The FIM-135 is a lightweight, compact field intensity meter incorporating all the latest innovations for portable test instruments. Dial locks provide a fixed setting at any point across the entire broadcast range from 540 to 1600 kc. The receiver mode of operation offers a choice between the ease and accuracy of crystal control or the versatility of conventional tuning. A special input jack permits the receiver to be used as a null detector for R.F. Bridge measurements. A taut-band meter movement accurately displays from 10 microvolts per meter to 10 volts per meter, making it equally effective for interference studies at low signal strength and for close-in measurements on high-power directional arrays. A high degree of selectivity is assured by establishing an overall bandwidth of 7 kc at 1000 kc for the half voltage response. Accurate measurements are easily obtained by direct reading on all ranges, with a calibration method that compensates for the variations in transistor and battery characteristics.

SPECIFICATIONS

Frequency Range: 540 to 1600 kc.

Field Intensity Range: 10 uv/m to 10 v/m.

Overall Accuracy: ±5%.

Output Indicator: Taut-Band meter, direct reading, with log-arithmetic scale graduated 1 to 10. Phone Jack and Panel Speaker.

Antenna: Shielded, unbalanced loop.

Power Requirements: Two 4.2 volt mercury batteries.

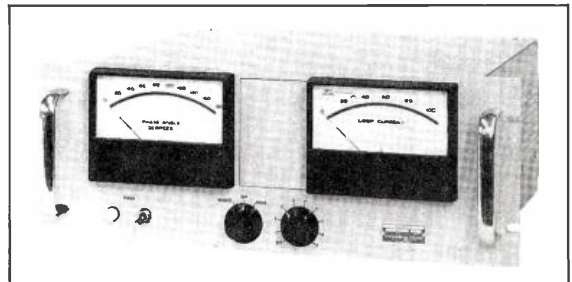
Battery Life: 175 hours (without audio).

Overall Dimensions, Closed: Height 6 1/2", Width 10 1/8", Depth 6 1/2".

Weight including batteries: 9 pounds, 2 ounces.

Part No. 124 0032 914

NEMS-CLARKE TYPE 112 PHASE MONITOR



This all new solid-state unit offers basically improved indications of the phase relations in directional antenna systems. It also incorporates provisions for indicating the relative amplitudes of the currents in the various antennas. This Phase Monitor can be used with systems containing up to 9 towers.

The phase angle is read out on a panel meter having a continuous 0 to 180° scale. Readings are not affected by modulation and they are presented instantly as each tower is selected, with no adjustment required.

The Model 112 Phase Monitor is simple to operate, easy to read accurately, and incorporates all circuitry necessary to permit future adaptation to remote control.

Absolute Phase Accuracy: ±1.0 degree.

Phase Resolution: 0.5 degree.

Input Impedance: 51 to 75 ohms.

Number of Inputs: Up to 9.

Input Level: 1.5 to 20 volts, rms.

Frequency Range: 540 to 1600 kc.

Phase Angle Voltage Output: Adjustable from 0 to 3.5 volts. (Maximum voltage equals 180°).

Loop Current Voltage Output: Adjustable from 0 to 3.0 volts. (Maximum voltage equals 100%).

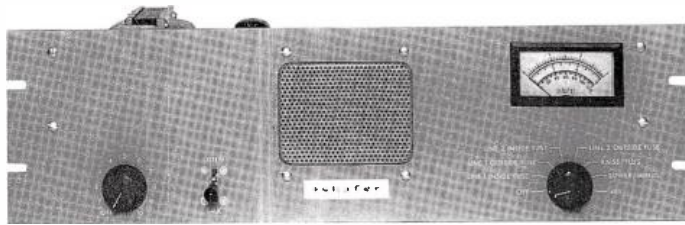
Loop Current Meter Accuracy: 2%.

Loop Current Meter Resolution: 0.5%.

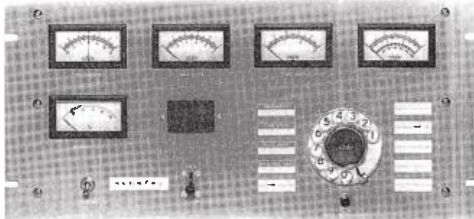
Size: 19" wide × 7" high × 14" deep.

Weight: 20 pounds maximum.

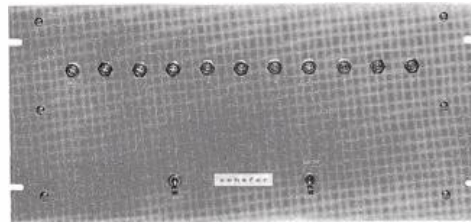
Power Input: 115/230 v. 50-60 cps, 15 watts.



MODEL TI-300 TEST INTERCOM



MODEL 300 STUDIO UNIT



MODEL 300 TRANSMITTER CONTROL UNIT

MODEL TI-300 TEST INTERCOM

This is a test intercom unit used with the Model 300 Remote Control System for 2-way communication, as well as being a test unit for checking the remote control operation. Two units are necessary for communication between studio and transmitter without additional telephone lines.

NPN

MODEL 300 STUDIO UNIT

A new all DC Remote Control system that operates on any two metallic lines with a resistance of up to 6000 ohms or more. Controls up to twenty (20) different functions and meters up to eleven (11) different circuits, including modulation and frequency. Five meters included. With a TI-300, two-way communication is available, as well as having a test unit at each end.

Part No. 597 0409 000

MODEL 300 TRANSMITTER CONTROL UNIT

Provides all calibration controls for the studio unit, as well as 48 V DC to operate all accessory relays.

Part No. 597 0410 000

REMOTE CONTROL ACCESSORIES

POR-1 PRIMARY OVERLOAD RELAY

Parallels present manual primary overload circuit breaker used in some transmitters, so that overload may be reset by Remote Control.

NPN

TOWER LIGHT CURRENT METERING UNIT TC-25

The TC-25 provides DC output to represent tower light current.

Part No. 099 1521 000

LATCHING RELAY UNIT LR-1-C

The LR-1-C is used to control circuits locally controlled by switches, such as filaments on-off and plates on-off.

Part No. 099 1520 000

MOTORIZED PLATE RHEOSTAT

For adjustment of plate power without affecting tuning.

MPR-2 For 250 or 500 watt transmitter. Part No. 099 1544 000

MPR-3 For 1000 watt transmitter. Part No. 099 1545 000

MPR-4 For over 1 Kilowatt transmitter. Part No. NPN

MOMENTARY RELAY UNIT MR-2-C

The MR-2-C is used to control circuits locally controlled by push-buttons, such as filaments on-off and plates on-off.

Part No. 097 6781 000

ANTENNA CURRENT METERING UNIT AC-100

The AC-100 provides DC output to represent antenna current.

Part No. 097 7581 000

PLATE CURRENT METERING UNIT PCK-10

The PCK-10 provides remote metering voltage to indicate plate current.

300 MA Part No. 099 1538 000

600 MA Part No. 099 1539 000

1200 MA Part No. 099 1540 000

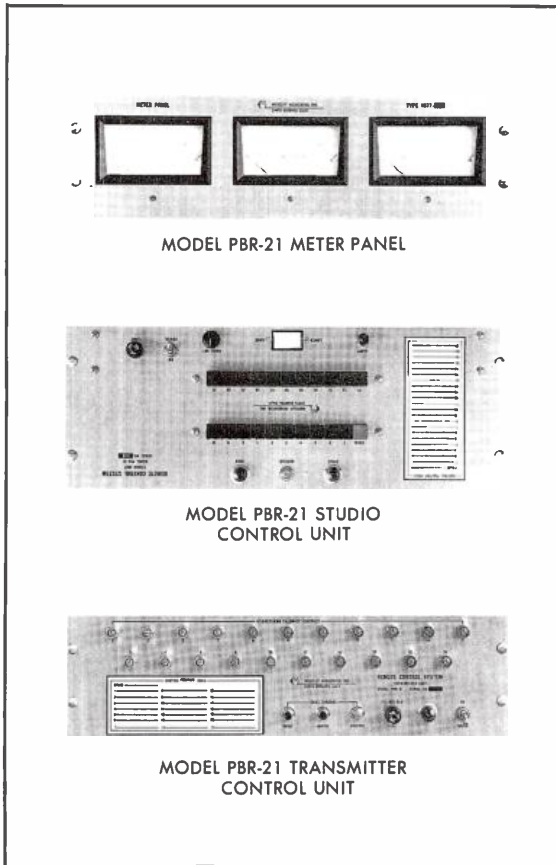
2400 MA Part No. 097 6663 000

PLATE VOLTAGE METERING UNIT PV-10

The PV-10 provides remote metering voltage to indicate plate voltage for connection to any one mil metering circuit.

Part No. 097 6664 000

**MOSELEY TRANSMITTER
REMOTE CONTROL SYSTEM**



The PBR-21 represents a new concept in the design of broadcast and television transmitter remote control systems. The path between studio and transmitter is no longer restricted to DC line requirements. A single low cost, voice quality line or STL circuit is all that is necessary. Line attenuation up to 20 db will not adversely affect system operation.

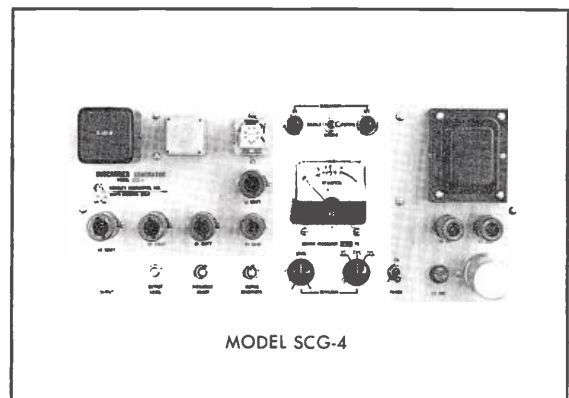
Simple, versatile and reliable, the PBR-21 features pushbutton selection of 42 control and 21 metering circuits. The binary logic scheme employs only one silicon transistor type throughout all circuits. Panel lights display CYCLE and READ modes. This feature also serves to indicate a malfunction of the return telemetering circuits. A RECYCLE button allows fast confirmation of each channel selection. The CALIBRATE position verifies system accuracy at a touch. The binary logic output momentarily interrupts the fail-safe signal to reposition the channel selector switch. The LOWER and RAISE command tones are 2000 cps and 2500 cps. Metering is returned to the studio by a temperature stable oscillator operating between 400 cps and 750 cps. Additional control and subcarrier modules adapt the PBR-21 for radio remote control systems.

A complete line of accessories is available to adapt the PBR-21 to any remote control requirement. Various kits will translate voltage, current, and tower light (etc.) indications into appropriate sample voltages for telemetering.

SPECIFICATIONS

- Control Functions:* 21 raise, 21 lower commands.
- Metering:* 21 telemetering channels.
- Fail-Safe:* Protected from system failure exceeding 25 sec.
- Line Requirements:* 20 db allowable loss from 400-3000 cps.
- Calibration Reference:* Zener diode.
- Power Requirements:* 120/240 VAC, 50-60 cps.
- Finish:* Anodized and etched aluminum panels.

**MOSELEY FM SUBCARRIER
GENERATOR MODEL SCG-4**

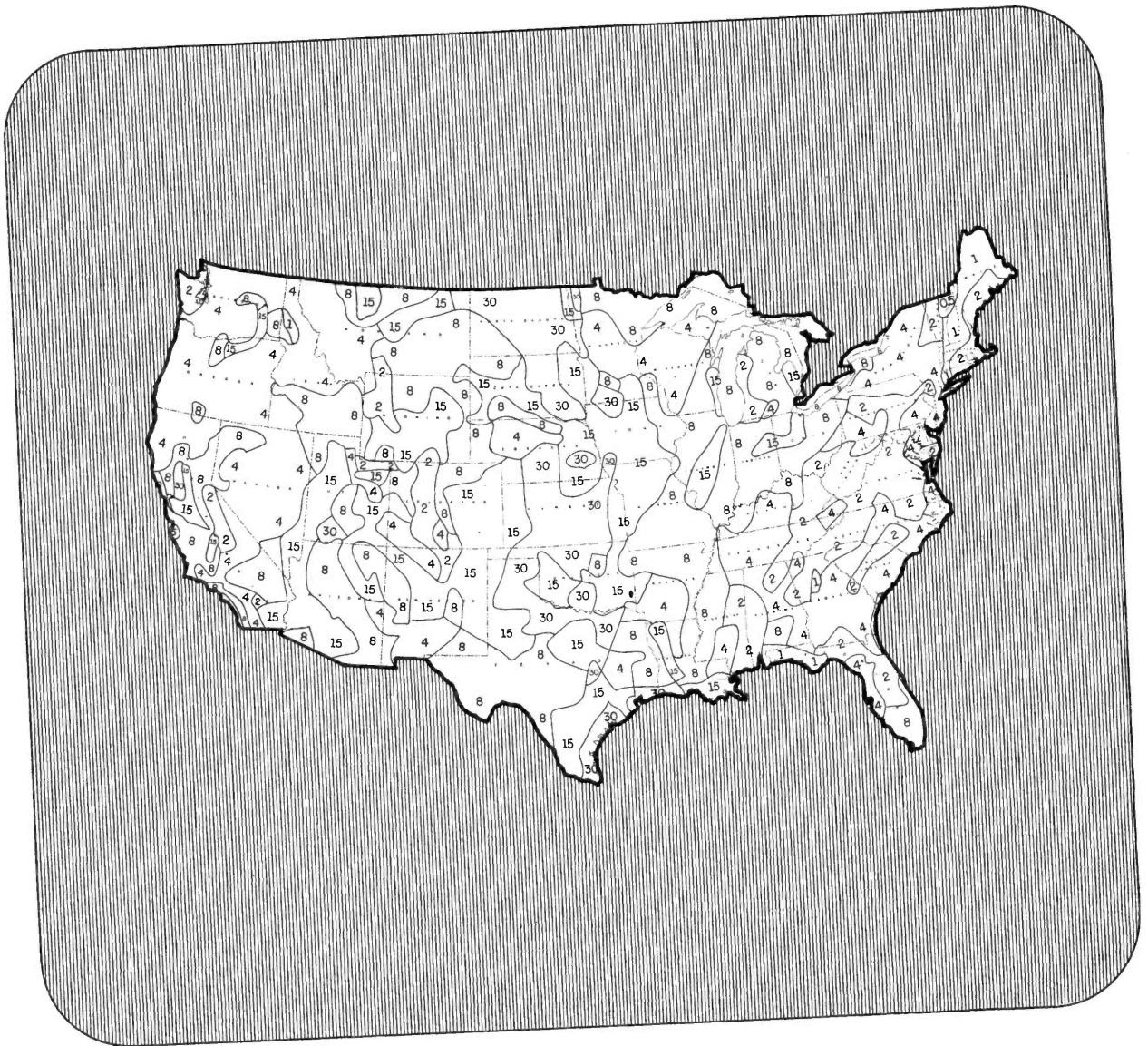


Designed to comply with F.C.C. Rules and Regulations for SCA operations, the Model SCG-4 Subcarrier Generator offers the FM broadcaster a reliable subcarrier generator for the transmission of a high fidelity SCA multiplex signal. This unit is compatible with FM stereophonic broadcasting. Precision components are utilized in the oscillator timing circuits to enhance the center frequency stability and to minimize effects of tube aging or replacement on the operating frequency.

SPECIFICATIONS

- Type of Circuit:* Positive grid, free running multivibrator.
- Type of Modulation:* Frequency.
- Center Frequency:* Between 20 kcs and 75 kcs (factory set to within 5% of desired frequency).
- Stability:* $\pm 0.2\%$
- Deviation:* Adjustable to $\pm 10\%$ of center frequency.
- Modulation Response:* 50 cps to 12,000 cps.
- Distortion:* Less than 1% — 50 cps to 12,000 cps.
- FM Noise:* Greater than -65 db.
- Input Impedance:* 600 ohms balanced.
- Output Voltage:* 4.0 volts rms, 10 K ohms; 1.5 volts rms, 600 ohms.
- Physical Size:* $8\frac{3}{4}''$ x $19''$ standard rack panel, 3" deep.
- Power Line:* 120/240 VAC $\pm 10\%$; 50-60 cps.

Tables, Charts, Graphs



FINDING POWER AND VOLTAGE/CURRENT WHEN DECIBELS ARE KNOWN

Voltage Ratio	Power Ratio	-db+	Voltage Ratio	Power Ratio	Voltage Ratio	Power Ratio	-db+	Voltage Ratio	Power Ratio
1.0000	1.0000	0	1.000	1.000	.5623	.3162	5.0	1.778	3.162
.9886	.9772	.1	1.012	1.023	.5559	.3090	5.1	1.799	3.236
.9772	.9550	.2	1.023	1.047	.5495	.3020	5.2	1.820	3.311
.9661	.9333	.3	1.035	1.072	.5433	.2951	5.3	1.841	3.388
.9550	.9120	.4	1.047	1.096	.5370	.2884	5.4	1.862	3.467
.9441	.8913	.5	1.059	1.122	.5309	.2818	5.5	1.884	3.548
.9333	.8710	.6	1.072	1.148	.5248	.2754	5.6	1.905	3.631
.9226	.8511	.7	1.084	1.175	.5188	.2692	5.7	1.928	3.715
.9120	.8318	.8	1.096	1.202	.5129	.2630	5.8	1.950	3.802
.9016	.8128	.9	1.109	1.230	.5070	.2570	5.9	1.972	3.890
.8913	.7943	1.0	1.122	1.259	.5012	.2512	6.0	1.995	3.981
.8810	.7762	1.1	1.135	1.288	.4955	.2455	6.1	2.018	4.074
.8710	.7586	1.2	1.148	1.318	.4898	.2399	6.2	2.042	4.169
.8610	.7413	1.3	1.161	1.349	.4842	.2344	6.3	2.065	4.266
.8511	.7244	1.4	1.175	1.380	.4786	.2291	6.4	2.089	4.365
.8414	.7079	1.5	1.189	1.413	.4732	.2239	6.5	2.113	4.467
.8318	.6918	1.6	1.202	1.445	.4677	.2188	6.6	2.138	4.571
.8222	.6761	1.7	1.216	1.479	.4624	.2138	6.7	2.163	4.677
.8128	.6607	1.8	1.230	1.514	.4571	.2089	6.8	2.188	4.786
.8035	.6457	1.9	1.245	1.549	.4519	.2042	6.9	2.213	4.898
.7943	.6310	2.0	1.259	1.585	.4467	.1995	7.0	2.239	5.012
.7852	.6166	2.1	1.274	1.622	.4416	.1950	7.1	2.265	5.129
.7762	.6026	2.2	1.288	1.660	.4365	.1905	7.2	2.291	5.248
.7674	.5888	2.3	1.303	1.698	.4315	.1862	7.3	2.317	5.370
.7586	.5754	2.4	1.318	1.738	.4266	.1820	7.4	2.344	5.495
.7499	.5623	2.5	1.334	1.778	.4217	.1778	7.5	2.371	5.623
.7413	.5495	2.6	1.349	1.820	.4169	.1738	7.6	2.399	5.754
.7328	.5370	2.7	1.365	1.862	.4121	.1698	7.7	2.427	5.888
.7244	.5248	2.8	1.380	1.905	.4074	.1660	7.8	2.455	6.026
.7161	.5129	2.9	1.396	1.950	.4027	.1622	7.9	2.483	6.166
.7079	.5012	3.0	1.413	1.995	.3981	.1585	8.0	2.512	6.310
.6998	.4898	3.1	1.429	2.042	.3936	.1549	8.1	2.541	6.457
.6918	.4786	3.2	1.445	2.089	.3890	.1514	8.2	2.570	6.607
.6839	.4677	3.3	1.462	2.138	.3846	.1479	8.3	2.600	6.761
.6761	.4571	3.4	1.479	2.188	.3802	.1445	8.4	2.630	6.918
.6683	.4467	3.5	1.496	2.239	.3758	.1413	8.5	2.661	7.079
.6607	.4365	3.6	1.514	2.291	.3715	.1380	8.6	2.692	7.244
.6531	.4266	3.7	1.531	2.344	.3673	.1349	8.7	2.723	7.413
.6457	.4169	3.8	1.549	2.399	.3631	.1318	8.8	2.754	7.586
.6383	.4074	3.9	1.567	2.455	.3589	.1288	8.9	2.786	7.762
.6310	.3981	4.0	1.585	2.512	.3548	.1259	9.0	2.818	7.943
.6237	.3890	4.1	1.603	2.570	.3508	.1230	9.1	2.851	8.128
.6166	.3802	4.2	1.622	2.630	.3467	.1202	9.2	2.884	8.318
.6095	.3715	4.3	1.641	2.692	.3428	.1175	9.3	2.917	8.511
.6026	.3631	4.4	1.660	2.754	.3388	.1148	9.4	2.951	8.710
.5957	.3548	4.5	1.679	2.818	.3350	.1122	9.5	2.985	8.913
.5888	.3467	4.6	1.698	2.884	.3311	.1096	9.6	3.020	9.120
.5821	.3388	4.7	1.718	2.951	.3273	.1072	9.7	3.055	9.333
.5754	.3311	4.8	1.738	3.020	.3236	.1047	9.8	3.090	9.550
.5689	.3236	4.9	1.758	3.090	.3199	.1023	9.9	3.126	9.772

FINDING POWER AND VOLTAGE/CURRENT WHEN DECIBELS ARE KNOWN (Continued)

Voltage Ratio	Power Ratio	-db+	Voltage Ratio	Power Ratio	Voltage Ratio	Power Ratio	-db+	Voltage Ratio	Power Ratio
.3162	.1000	10.0	3.162	10.000	.1778	.03162	15.0	5.623	31.62
.3126	.09772	10.1	3.199	10.23	.1758	.03090	15.1	5.689	32.36
.3090	.09550	10.2	3.236	10.47	.1738	.03020	15.2	5.754	33.11
.3055	.09333	10.3	3.273	10.72	.1718	.02951	15.3	5.821	33.88
.3020	.09120	10.4	3.311	10.96	.1698	.02884	15.4	5.888	34.67
.2985	.08913	10.5	3.350	11.22	.1679	.02818	15.5	5.957	35.48
.2951	.08710	10.6	3.388	11.48	.1660	.02754	15.6	6.026	36.31
.2917	.08511	10.7	3.428	11.75	.1641	.02692	15.7	6.095	37.15
.2884	.08318	10.8	3.467	12.02	.1622	.02630	15.8	6.166	38.02
.2851	.08128	10.9	3.508	12.30	.1603	.02570	15.9	6.237	38.90
.2818	.07943	11.0	3.548	12.59	.1585	.02512	16.0	6.310	39.81
.2786	.07762	11.1	3.589	12.88	.1567	.02455	16.1	6.383	40.74
.2754	.07586	11.2	3.631	13.18	.1549	.02399	16.2	6.457	41.69
.2723	.07413	11.3	3.673	13.49	.1531	.02344	16.3	6.531	42.66
.2692	.07244	11.4	3.715	13.80	.1514	.02291	16.4	6.607	43.65
.2661	.07079	11.5	3.758	14.13	.1496	.02239	16.5	6.683	44.67
.2630	.06918	11.6	3.802	14.45	.1479	.02188	16.6	6.761	45.71
.2600	.06761	11.7	3.846	14.79	.1462	.02138	16.7	6.839	46.77
.2570	.06607	11.8	3.890	15.14	.1445	.02089	16.8	6.918	47.86
.2541	.06457	11.9	3.936	15.49	.1429	.02042	16.9	6.998	48.98
.2512	.06310	12.0	3.981	15.85	.1413	.01995	17.0	7.079	50.12
.2483	.06166	12.1	4.027	16.22	.1396	.01950	17.1	7.161	51.29
.2455	.06026	12.2	4.074	16.60	.1380	.01905	17.2	7.244	52.48
.2427	.05888	12.3	4.121	16.98	.1365	.01862	17.3	7.328	53.70
.2399	.05754	12.4	4.169	17.38	.1349	.01820	17.4	7.413	54.95
.2371	.05623	12.5	4.217	17.78	.1334	.01778	17.5	7.499	56.23
.2344	.05495	12.6	4.266	18.20	.1318	.01738	17.6	7.586	57.54
.2317	.05370	12.7	4.315	18.62	.1303	.01698	17.7	7.674	58.88
.2291	.05248	12.8	4.365	19.05	.1288	.01660	17.8	7.762	60.26
.2265	.05129	12.9	4.416	19.50	.1274	.01622	17.9	7.852	61.66
.2239	.05012	13.0	4.467	19.95	.1259	.01585	18.0	7.943	63.10
.2213	.04898	13.1	4.519	20.42	.1245	.01549	18.1	8.035	64.57
.2188	.04786	13.2	4.571	20.89	.1230	.01514	18.2	8.128	66.07
.2163	.04677	13.3	4.624	21.38	.1216	.01479	18.3	8.222	67.61
.2138	.04571	13.4	4.677	21.88	.1202	.01445	18.4	8.318	69.18
.2113	.04467	13.5	4.732	22.39	.1189	.01413	18.5	8.414	70.79
.2089	.04365	13.6	4.786	22.91	.1175	.01380	18.6	8.511	72.44
.2065	.04266	13.7	4.842	23.44	.1161	.01349	18.7	8.610	74.13
.2042	.04169	13.8	4.898	23.99	.1148	.01318	18.8	8.710	75.86
.2018	.04074	13.9	4.955	24.55	.1135	.01288	18.9	8.811	77.62
.1995	.03981	14.0	5.012	25.12	.1122	.01259	19.0	8.913	79.43
.1972	.03890	14.1	5.070	25.70	.1109	.01230	19.1	9.016	81.28
.1950	.03802	14.2	5.129	26.30	.1096	.01202	19.2	9.120	83.18
.1928	.03715	14.3	5.188	26.92	.1084	.01175	19.3	9.226	85.11
.1905	.03631	14.4	5.248	27.54	.1072	.01148	19.4	9.333	87.10
.1884	.03548	14.5	5.309	28.18	.1059	.01122	19.5	9.441	89.13
.1862	.03467	14.6	5.370	28.84	.1047	.01096	19.6	9.550	91.20
.1841	.03388	14.7	5.433	29.51	.1035	.01072	19.7	9.661	93.33
.1820	.03311	14.8	5.495	30.20	.1023	.01047	19.8	9.772	95.50
.1799	.03236	14.9	5.559	30.90	.1012	.01023	19.9	9.886	97.72
					.1000	.01000	20.0	10.000	100.00

FINDING DECIBELS WHEN VOLTAGE/CURRENT RATIO IS KNOWN

Voltage Ratio	.00	.01	.02	.03	.04	.05	.06	.07	.08	.09
1.0	.000	.086	.172	.257	.341	.424	.506	.588	.668	.749
1.1	.828	.906	.984	1.062	1.138	1.214	1.289	1.364	1.438	1.511
1.2	1.584	1.656	1.727	1.798	1.868	1.938	2.007	2.076	2.144	2.212
1.3	2.279	2.345	2.411	2.477	2.542	2.607	2.671	2.734	2.798	2.860
1.4	2.923	2.984	3.046	3.107	3.167	3.227	3.287	3.346	3.405	3.464
1.5	3.522	3.580	3.637	3.694	3.750	3.807	3.862	3.918	3.973	4.028
1.6	4.082	4.137	4.190	4.244	4.297	4.350	4.402	4.454	4.506	4.558
1.7	4.609	4.660	4.711	4.761	4.811	4.861	4.910	4.959	5.008	5.057
1.8	5.105	5.154	5.201	5.249	5.296	5.343	5.390	5.437	5.483	5.529
1.9	5.575	5.621	5.666	5.711	5.756	5.801	5.845	5.889	5.933	5.977
2.0	6.021	6.064	6.107	6.150	6.193	6.235	6.277	6.319	6.361	6.403
2.1	6.444	6.486	6.527	6.568	6.608	6.649	6.689	6.729	6.769	6.809
2.2	6.848	6.888	6.927	6.966	7.008	7.044	7.082	7.121	7.159	7.197
2.3	7.235	7.272	7.310	7.347	7.384	7.421	7.458	7.495	7.532	7.568
2.4	7.604	7.640	7.676	7.712	7.748	7.783	7.819	7.854	7.889	7.924
2.5	7.959	7.993	8.028	8.062	8.097	8.131	8.165	8.199	8.232	8.266
2.6	8.299	8.333	8.366	8.399	8.432	8.465	8.498	8.530	8.563	8.595
2.7	8.627	8.659	8.691	8.723	8.755	8.787	8.818	8.850	8.881	8.912
2.8	8.943	8.974	9.005	9.036	9.066	9.097	9.127	9.158	9.188	9.218
2.9	9.248	9.278	9.308	9.337	9.367	9.396	9.426	9.455	9.484	9.513
3.0	9.542	9.571	9.600	9.629	9.657	9.686	9.714	9.743	9.771	9.799
3.1	9.827	9.855	9.883	9.911	9.939	9.966	9.994	10.021	10.049	10.076
3.2	10.103	10.130	10.157	10.184	10.211	10.238	10.264	10.291	10.317	10.344
3.3	10.370	10.397	10.423	10.449	10.475	10.501	10.527	10.553	10.578	10.604
3.4	10.630	10.655	10.681	10.706	10.731	10.756	10.782	10.807	10.832	10.857
3.5	10.881	10.906	10.931	10.955	10.980	11.005	11.029	11.053	11.078	11.102
3.6	11.126	11.150	11.174	11.198	11.222	11.246	11.270	11.293	11.317	11.341
3.7	11.364	11.387	11.411	11.434	11.457	11.481	11.504	11.527	11.550	11.573
3.8	11.596	11.618	11.641	11.664	11.687	11.709	11.732	11.754	11.777	11.799
3.9	11.821	11.844	11.866	11.888	11.910	11.932	11.954	11.976	11.998	12.019
4.0	12.041	12.063	12.085	12.106	12.128	12.149	12.171	12.192	12.213	12.234
4.1	12.256	12.277	12.298	12.319	12.340	12.361	12.382	12.403	12.424	12.444
4.2	12.465	12.486	12.506	12.527	12.547	12.568	12.588	12.609	12.629	12.649
4.3	12.669	12.690	12.710	12.730	12.750	12.770	12.790	12.810	12.829	12.849
4.4	12.869	12.889	12.908	12.928	12.948	12.967	12.987	13.006	13.026	13.045
4.5	13.064	13.084	13.103	13.122	13.141	13.160	13.179	13.198	13.217	13.236
4.6	13.255	13.274	13.293	13.312	13.330	13.349	13.368	13.386	13.405	13.423
4.7	13.442	13.460	13.479	13.497	13.516	13.534	13.552	13.570	13.589	13.607
4.8	13.625	13.643	13.661	13.679	13.697	13.715	13.733	13.751	13.768	13.786
4.9	13.804	13.822	13.839	13.857	13.875	13.892	13.910	13.927	13.945	13.962
5.0	13.979	13.997	14.014	14.031	14.049	14.066	14.083	14.100	14.117	14.134
5.1	14.151	14.168	14.185	14.202	14.219	14.236	14.253	14.270	14.287	14.303
5.2	14.320	14.337	14.353	14.370	14.387	14.403	14.420	14.436	14.453	14.469
5.3	14.486	14.502	14.518	14.535	14.551	14.567	14.583	14.599	14.616	14.632
5.4	14.648	14.664	14.680	14.696	14.712	14.728	14.744	14.760	14.776	14.791
5.5	14.807	14.823	14.839	14.855	14.870	14.886	14.902	14.917	14.933	14.948
5.6	14.964	14.979	14.995	15.010	15.026	15.041	15.056	15.072	15.087	15.102
5.7	15.117	15.133	15.148	15.163	15.178	15.193	15.208	15.224	15.239	15.254
5.8	15.269	15.284	15.298	15.313	15.328	15.343	15.358	15.373	15.388	15.402
5.9	15.417	15.432	15.446	15.461	15.476	15.490	15.505	15.519	15.534	15.549
6.0	15.563	15.577	15.592	15.606	15.621	15.635	15.649	15.664	15.678	15.692
6.1	15.707	15.721	15.735	15.749	15.763	15.778	15.792	15.806	15.820	15.834
6.2	15.848	15.862	15.876	15.890	15.904	15.918	15.931	15.945	15.959	15.973
6.3	15.987	16.001	16.014	16.028	16.042	16.055	16.069	16.083	16.096	16.110
6.4	16.124	16.137	16.151	16.164	16.178	16.191	16.205	16.218	16.232	16.245

FINDING DECIBELS WHEN VOLTAGE/CURRENT RATIO IS KNOWN (Continued)

Voltage Ratio	.00	.01	.02	.03	.04	.05	.06	.07	.08	.09
6.5	16.258	16.272	16.285	16.298	16.312	16.325	16.338	16.351	16.365	16.378
6.6	16.391	16.404	16.417	16.430	16.443	16.456	16.469	16.483	16.496	16.509
6.7	16.521	16.534	16.547	16.560	16.573	16.586	16.599	16.612	16.625	16.637
6.8	16.650	16.663	16.676	16.688	16.701	16.714	16.726	16.739	16.752	16.764
6.9	16.777	16.790	16.802	16.815	16.827	16.840	16.852	16.865	16.877	16.890
7.0	16.902	16.914	16.927	16.939	16.951	16.964	16.976	16.988	17.001	17.013
7.1	17.025	17.037	17.050	17.062	17.074	17.086	17.098	17.110	17.122	17.135
7.2	17.147	17.159	17.171	17.183	17.195	17.207	17.219	17.231	17.243	17.255
7.3	17.266	17.278	17.290	17.302	17.314	17.326	17.338	17.349	17.361	17.373
7.4	17.385	17.396	17.408	17.420	17.431	17.443	17.455	17.466	17.478	17.490
7.5	17.501	17.513	17.524	17.536	17.547	17.559	17.570	17.582	17.593	17.605
7.6	17.616	17.628	17.639	17.650	17.662	17.673	17.685	17.696	17.707	17.719
7.7	17.730	17.741	17.752	17.764	17.775	17.786	17.797	17.808	17.820	17.831
7.8	17.842	17.853	17.864	17.875	17.886	17.897	17.908	17.919	17.931	17.942
7.9	17.953	17.964	17.975	17.985	17.996	18.007	18.018	18.029	18.040	18.051
8.0	18.062	18.073	18.083	18.094	18.105	18.116	18.127	18.137	18.148	18.159
8.1	18.170	18.180	18.191	18.202	18.212	18.223	18.234	18.244	18.255	18.266
8.2	18.276	18.287	18.297	18.308	18.319	18.329	18.340	18.350	18.361	18.371
8.3	18.382	18.392	18.402	18.413	18.423	18.434	18.444	18.455	18.465	18.475
8.4	18.486	18.496	18.506	18.517	18.527	18.537	18.547	18.558	18.568	18.578
8.5	18.588	18.599	18.609	18.619	18.629	18.639	18.649	18.660	18.670	18.680
8.6	18.690	18.700	18.710	18.720	18.730	18.740	18.750	18.760	18.770	18.780
8.7	18.790	18.800	18.810	18.820	18.830	18.840	18.850	18.860	18.870	18.880
8.8	18.890	18.900	18.909	18.919	18.929	18.939	18.949	18.958	18.968	18.978
8.9	18.988	18.998	19.007	19.017	19.027	19.036	19.046	19.056	19.066	19.075
9.0	19.085	19.094	19.104	19.114	19.123	19.133	19.143	19.152	19.162	19.171
9.1	19.181	19.190	19.200	19.209	19.219	19.228	19.238	19.247	19.257	19.266
9.2	19.276	19.285	19.295	19.304	19.313	19.323	19.332	19.342	19.351	19.360
9.3	19.370	19.379	19.388	19.398	19.407	19.416	19.426	19.435	19.444	19.453
9.4	19.463	19.472	19.481	19.490	19.499	19.509	19.518	19.527	19.536	19.545
9.5	19.554	19.564	19.573	19.582	19.591	19.600	19.609	19.618	19.627	19.636
9.6	19.645	19.654	19.664	19.673	19.682	19.691	19.700	19.709	19.718	19.726
9.7	19.735	19.744	19.753	19.762	19.771	19.780	19.789	19.798	19.807	19.816
9.8	19.825	19.833	19.842	19.851	19.860	19.869	19.878	19.886	19.895	19.904
9.9	19.913	19.921	19.930	19.939	19.948	19.956	19.965	19.974	19.983	19.991

Voltage Ratio	0	1	2	3	4	5	6	7	8	9
10	20.000	20.828	21.584	22.279	22.923	23.522	24.082	24.609	25.105	25.575
20	26.021	26.444	26.848	27.235	27.604	27.959	28.299	28.627	28.943	29.248
30	29.542	29.827	30.103	30.370	30.630	30.881	31.126	31.364	31.596	31.821
40	32.041	32.256	32.465	32.669	32.869	33.064	33.255	33.442	33.625	33.804
50	33.979	34.151	34.320	34.486	34.648	34.807	34.964	35.117	35.269	35.417
60	35.563	35.707	35.848	35.987	36.124	36.258	36.391	36.521	36.650	36.777
70	36.902	37.025	37.147	37.266	37.385	37.501	37.616	37.730	37.842	37.953
80	38.062	38.170	38.276	38.382	38.486	38.588	38.690	38.790	38.890	38.988
90	39.085	39.181	39.276	39.370	39.463	39.554	39.645	39.735	39.825	39.913
100	40.000	—	—	—	—	—	—	—	—	—

Distance in Miles From an FM Transmitter to Its 54 dbu (0.5 mv/m) Contour For Various Heights and Powers

AHAAT		Power in dbk																				
		-20	-18	-16	-14	-12	-10	-8	-6	-4	-2	0	2	4	6	8	10	12	14	16	18	20
in Ft.																						
3400	20	23	26.5	30	34	38	42	47.5	51.5	55	60	65	69.5	73	78	82	87	91.5	95	100	113.5	
3200	19	22	25	29	32.5	37	40.5	45	50	53.5	58.5	63	67	71	75	80	85	90	93	97	100.5	
3000	18.5	21.5	24.5	28	31.5	35	40	43	48	52	56.5	60.5	65	69.5	73	77.5	82	86.5	91.5	95	98.5	
2800	18	20.5	23	27	30	33.5	38	42	45.5	50	54.5	58.5	63	67	71	75	80	84	89	93	96	
2600	17.5	20	22	25.5	29	32	36	40	44.5	48.5	52	56	60	65	69	73	77	81.5	85.5	90	94	
2400	17	19	21.5	24.5	28	31	35	38.5	42	46	50.5	54.5	58.5	62	67	70.5	75	78.7	83	88	92	
2200	16	18.2	20	23	26.5	29	32.5	36.5	40	44.5	48	52	55.5	60	65	68	72	76.5	80	85	90	
2000	15	17.4	19	22	25	28	31	35	38	42	45.5	50	53	57	61.5	65	69.5	73.7	78	82	86	
1900	15	17	18.5	21.5	24.5	27	30	33.5	37.5	40.5	45	48.5	52	55.5	60	64	68	72	76	80	85	
1800	14	16	18	20.5	23	26.5	29	32.5	36	40	43	47.5	51	55	58.5	62.5	66	70	75	79	83	
1700	13.5	15.5	17.5	20	22.5	25	28	31.5	35	38	42	45.5	50	53	57	60.5	65	69	71.5	77	81	
1600	13	15	17	19	21.5	24.5	27	30	33	36.5	40.5	44	48	52	55.5	60	63	67	71	75	80	
1500	12.5	14.6	16.5	18.5	21	23.5	26.5	28.5	32	35.5	39.5	43	46.5	50	54.5	58	61.5	65	69.5	73	78	
1400	12	14	16	18	20	22	25	28	30.5	34.5	38	41.5	45	48.5	52.5	56	60	63	67	71.5	75	
1300	11.5	13.4	15.5	17	19	21.5	23.5	27	30	32.5	36	40	43	47	50.5	55	58	61.5	65	70	73.5	
1200	11	13	14.5	16.5	18.5	20.5	23	25.5	28	31	35	38	41.7	45	48.5	52.5	56	60	63	67	71.5	
1100	10	12	13.5	15.5	17.5	19.5	21.5	24.5	26.5	30	33	36.5	40	43	47	50.5	54.5	58	61.5	65	70	
1000	9.1	11.5	13	15	17	18.5	20.5	23	25.5	28	31.2	34.5	38	41	45	48	52	56	58.5	63	68	
900	8.7	10.5	12	14	16	18	19.5	21.5	24.5	27	29.6	32.5	35.5	38.5	42.5	46	50	54	57	60.5	65	
800	8.2	9.2	11.5	13	15	16.5	18	20	22	25	28	30.5	33.5	37	40	43	47.5	52	55	58.5	63.5	
700	7.7	8.7	10.5	12	13.5	15.5	17	18.5	21	23	26	28.5	32	35	38	41	45	49	53	56.5	63	
600	7.2	8	9	11	12	14	15.5	17.5	19	21.5	24	26.5	28.7	32	35	38	42	45.5	50	55	60	
500	6.5	7.3	8.2	9	11	12.5	14	16	17.5	19	22	24	27	29	32.5	35.5	38.5	43	47	52	57	
400	5.8	6.6	7.3	8.3	8.5	11	12.5	14	16	17.5	19	22	24.5	27	29.5	32	35.5	40	43.5	49.5	55	
300	5	5.7	6.5	7.2	8	8.7	10.5	12	13.5	15	17	18.5	21	23.5	26.5	28.5	32	35.5	40	45.4	52	
200	4	4.6	5.2	5.7	6.5	7.3	8.2	9	11	12	13.7	15.5	17.5	19	22	24.5	28	31.5	35	42	48	
100	2.8	3.2	3.7	4.1	4.6	5.2	5.8	6.6	7.4	8.2	9	10.7	12.5	14	16	18.2	21.5	25	30	35.5	45	

Distance in Miles From an FM Transmitter to Its 60 dbu (1 Mv/m) Contour For Various Heights and Powers

AHAAT in Ft.	Power in dbk																				
	-20	-18	-16	-14	-12	-10	-8	-6	-4	-2	0	2	4	6	8	10	12	14	16	18	20
3400	11	13	15	17.5	20	22.5	27	30	34	37	40.5	45	49	52	57	60	64	65	65	65	65
3200	11	12.2	14.5	16.5	19.5	22	25	28.5	32	35	39	42.5	47	50.5	55	59	62	64	65	65	65
3000	10.5	12	14	16	19	21.5	24.5	28	31	34	38	41	45	49.5	53	57	60	64	65	65	65
2800	10	11.8	13.5	15.7	18	20.5	24	26.5	30	33	36	40	44	48	51	55	59	62	64	65	65
2600	9.7	11.5	13	15	17	20	22.5	25.5	29	32	35	39	42	46	49.5	53	58	60	63	64	65
2400	9.4	11	12.8	14	16	19	21.5	24.5	28	30.5	34	37	40	44	47.5	51	55	59	61	64	65
2200	9.2	10.8	12	13.5	15.5	18	20.5	23.5	26	29	32	35	39	42	45.5	49	52	56.5	59.5	62	65
2000	9	10.2	11.7	13.1	15	17	20	22	25	28	30	33.5	37	40	44	46.5	50.5	54	57.5	60.5	64
1900	8.7	10	11.2	12.7	14.5	16.5	19	21.5	24.5	27	29.5	33	35.5	39	43.5	45.5	49.5	52.5	55.5	59.5	62
1800	8.5	9.7	11	12.6	14	16	18	20.5	23.5	25.5	29	31.5	35	38.5	43	44.5	48.5	51.5	55	59	61
1700	8.3	9.2	10.5	11.6	13.8	15.5	17.3	20	22.5	25	28	30	33	37	40	43	46.5	50	53	57.5	60
1600	8.1	9	10.3	11.5	13.2	15	17.1	19.2	21.5	24	26.5	29.5	32.5	35.5	39	42	45	49	51.5	55	58
1500	8	9	10	11.4	13	14.9	16.9	18.6	21	23	26	28.5	31.5	35	38	40.5	44	47	50.1	54	57
1400	7.5	8.6	9.7	11.2	12.5	14	16.2	18	20	22	25	27.5	30	33	36	40	43	46	48.5	52	55
1300	7.3	8.2	9.3	10.5	12	13.8	15.5	17.5	19	21.5	24	26.5	29	32.5	35	39	41.5	45	47.5	51	54
1200	7	7.8	9	10	11.5	13	15	17	18	21	23	25.5	28	31	34	37.5	40	44	46	49	52
1100	6.8	7.6	8.5	9.5	11	12.5	14.5	16	17.1	20	22	24.5	26.5	29.5	32	35	38	41	44.5	47	50
1000	6.4	7.2	8	9	10.2	12	14	15.6	17	19	21	23	25.5	28	31	34	36.5	40	43	45.5	49
900	6.2	6.8	7.8	8.8	9.7	11.2	13	14.5	16.4	18	20	21	24.5	26	29	32	35	38	40.5	44	47
800	5.8	6.6	7.3	8.2	9.2	10.3	12	13.5	15.2	17	18.5	20.5	23	25	27.5	30	33	36	39	41.5	45
700	5.4	6.2	7	7.8	8.6	9.7	10.5	13	14	16	17	19.2	21	24	26	28.5	31	33	36	39	42
600	5	5.7	6.5	7.1	8	9	9.8	11.8	12.3	14.5	16	18	19.7	21.5	24	26	29	32	35	36.5	40
500	4.6	5	5.8	6.6	7.3	8.2	9	10	12	13.2	14.5	16.1	17.9	20	22	24.5	27	29.5	31.5	35	37
450	4.2	4.8	5.5	6.2	7.0	7.8	8.6	9.6	10.5	12.5	14.0	15.2	17.0	19.0	20.5	23.0	25.4	28	30	33	36
400	4	4.6	5.1	5.9	6.6	7.4	8.2	9	10	11.8	12.5	14.5	16	17.8	19.8	21.5	24.5	26.5	29	31.5	35
350	3.8	4.2	4.8	5.3	6.1	7.0	7.8	8.6	9.5	10.3	11.0	14.0	15	16.8	18.5	20.2	23	25	27.5	30	33
300	3.6	4	4.5	5	5.7	6.3	7.2	8	8.8	10	10.5	12.6	14	15.6	17	19	21	23	25.5	28	30
250	3.2	3.7	4.0	4.6	5.1	5.9	6.7	7.3	8.0	8.9	9.9	10.6	12.5	14.0	15.8	17.8	19	21.5	24	26	28
200	2.9	3.3	3.7	4.1	4.7	5.1	5.9	6.6	7.4	8.1	9	10	11.3	12.5	14	15.5	17.5	19.5	21.5	24	26
150	2.5	2.8	3.2	3.6	4.0	4.5	5.0	5.7	6.4	7.1	7.9	8.8	9.7	10.8	12	14.0	15.2	17.0	19	21	24
100	2	2.3	2.7	2.9	3.2	3.8	4.1	4.7	5.2	5.9	6.5	7.4	8.3	9	10	11.3	12.9	14.5	16.2	18.1	20

Distance in Miles From an FM Transmitter to Its 80 dbu (10 mv/m) Contour For Various Heights and Powers

AHAAT		Power in dbk																				
		-20	-18	-16	-14	-12	-10	-8	-6	-4	-2	0	2	4	6	8	10	12	14	16	18	20
in	Fr.																					
3400		1.3	1.8	2.1	2.6	3.2	4.0	4.8	6.0	7.3	9	12.5	15	18	20	23	26.5	30	34	38	42	46.5
3200		1.3	1.8	2.1	2.6	3.2	4.0	4.8	6.0	7.3	8.8	12	15	17	19	22	25	29	32.5	36.5	40.5	45
3000		1.3	1.8	2.1	2.6	3.2	4.0	4.8	6.0	7.1	8.5	11.5	14.5	17	18.5	21.5	24.5	28	31.5	35	40	43
2800		1.3	1.8	2.1	2.5	3.2	4.0	4.8	5.9	7.1	8.4	11.3	14	16	18	20	23	26.5	30	34	38	41.5
2600		1.3	1.8	2.1	2.5	3.2	4.0	4.7	5.8	7.0	8.1	11	13	15.5	17.5	19.6	22	25.5	29	32	35.5	40
2400		1.3	1.8	2.1	2.5	3.2	3.9	4.7	5.7	7.0	8.1	10.5	12.5	15	17	19	21.5	24.5	27.5	30.5	35	38.5
2200		1.3	1.8	2.1	2.5	3.2	3.8	4.7	5.6	6.8	8	10	12	14.5	16.5	18	20	23	26.5	29.5	32.5	36.5
2000		1.3	1.8	2.0	2.5	3.1	3.8	4.6	5.4	6.7	7.8	9	11.5	13.5	15	17.5	19.5	21.5	25	28	31	35
1900		1.3	1.8	2.0	2.5	3.0	3.7	4.6	5.3	6.6	7.7	9	11	13	14.8	17	19	21	24.5	27	30	34
1800		1.3	1.8	2.0	2.5	3.0	3.7	4.5	5.3	6.3	7.6	8.7	10.5	12.5	14.5	16.5	18.5	20.5	23	26	29	32.5
1700		1.3	1.8	2.0	2.4	2.9	3.6	4.4	5.2	6.1	7.3	8.4	10	12	14	15.5	18	20	22	25	28	31
1600		1.2	1.7	2.0	2.3	2.9	3.6	4.3	5.1	6	7.0	8.1	9.2	11.8	13.5	15	17.5	19	21.5	24.5	27	30
1500		1.2	1.7	2.0	2.3	2.8	3.6	4.2	5.0	5.9	7.0	8.0	9.0	11	13	14.5	17	18.5	20.5	23	26	29
1400		1.2	1.7	1.9	2.3	2.8	3.5	4.2	5.0	5.7	6.7	7.7	8.7	10.5	12	14	16	18	20	22	25	28
1300		1.2	1.7	1.9	2.2	2.7	3.4	4.1	4.8	5.6	6.4	7.4	8.3	10	11.5	13	15	17	19	21.5	24	26.5
1200		1.2	1.7	1.8	2.2	2.7	3.3	4.0	4.7	5.4	6.2	7.1	8	9.2	11	12.5	14.5	16.5	18	20.5	23	25.5
1100		1.2	1.7	1.8	2.2	2.7	3.2	3.9	4.6	5.2	6	6.8	7.8	8.7	10.2	11.5	14	15.5	17.5	19.5	22	24.5
1000		1.2	1.6	1.8	2.2	2.6	3.1	3.8	4.4	5	5.8	6.4	7.2	8.2	9.2	11	13	15	17	18.5	20.5	23
900		1.2	1.6	1.7	2.1	2.6	3	3.7	4.2	4.8	5.6	6.2	7.0	7.8	8.8	10.5	12	14	16	18	19	22
800		1.2	1.5	1.7	2.1	2.5	2.9	3.4	3.9	4.6	5.1	6.0	6.7	7.4	8.3	9.3	11.5	13	15	16.5	18	20
700		1.2	1.5	1.7	2.0	2.4	2.8	3.2	3.7	4.2	4.8	5.5	6.3	7.0	7.8	8.8	10	12	13.5	15.5	17	18.5
600		1.2	1.4	1.7	1.9	2.3	2.7	3.0	3.4	3.8	4.5	5.0	5.8	6.5	7.2	8	9.0	10.5	12.5	14	15.5	17.5
500		1.1	1.4	1.6	1.8	2.1	2.5	2.8	3.2	3.6	4	4.6	5.2	6	6.7	7.5	8.2	9.2	11	12.5	14.5	15.5
400		1.0	1.3	1.5	1.7	2.0	2.2	2.6	2.8	3.2	3.7	4.1	4.7	5.2	6.0	6.7	7.5	8.2	9.1	11	12.5	14.5
300		0.9	1.2	1.3	1.5	1.8	1.9	2.2	2.6	2.8	3.2	3.6	4	4.5	5.0	5.8	6.2	7.2	7.8	8.9	10.5	12
200		0.8	1.0	1.2	1.3	1.5	1.7	1.8	2	2.3	2.6	3.0	3.3	3.8	4.2	4.7	5.2	6.0	6.7	7.5	8.2	9.0
100		0.5	0.6	0.8	0.9	1.0	1.2	1.3	1.5	1.7	1.9	2.0	2.3	2.7	3.0	3.3	3.7	4.2	4.7	5.2	6.0	6.8

MULTIPLY NUMBER OF BY ↓ TO OBTAIN NUMBER OF	ANGSTROMS	MICRONS	MILS	INCHES	FEET	MILES	MILLIMETERS	CENTIMETERS	KILOMETERS
ANGSTROMS	1	10^4	2.540×10^5	2.540×10^8	3.048×10^9	1.609×10^{13}	10^7	10^8	10^{13}
MICRONS	10^{-4}	1	2.540×10	2.540×10^4	3.048×10^5	1.609×10^9	10^3	10^4	10^9
MILS	3.937×10^{-6}	3.937×10^{-2}	1	10^3	1.2×10^4	6.336×10^7	3.937×10	3.937×10^2	3.937×10^7
INCHES	3.937×10^{-9}	3.937×10^{-5}	10^{-3}	1	12	6.336×10^4	3.937×10^{-2}	3.937×10^{-1}	3.937×10^4
FEET	3.281×10^{-10}	3.281×10^{-6}	8.333×10^{-5}	8.333×10^{-2}	1	5.280×10^3	3.281×10^{-3}	3.281×10^{-2}	3.281×10^3
MILES	6.214×10^{-14}	6.214×10^{-10}	1.578×10^{-8}	1.578×10^{-5}	1.894×10^{-4}	1	6.214×10^{-7}	6.214×10^{-6}	6.214×10^{-1}
MILLIMETERS	10^{-7}	10^{-3}	2.540×10^{-2}	2.540×10	3.048×10^2	1.609×10^6	1	10	10^6
CENTIMETERS	10^{-8}	10^{-4}	2.540×10^{-3}	2.540	3.048×10	1.609×10^5	0.1	1	10^5
KILOMETERS	10^{-13}	10^{-9}	2.540×10^{-8}	2.540×10^{-5}	3.048×10^{-4}	1.609	10^{-6}	10^{-5}	1

SYMBOLS AND PREFIXES

ac	alternating current	ISO	International Standards Organization	uhf	ultra-high frequency
af	audio frequency	j	$\sqrt{-1}$	v	velocity
AFC	automatic frequency control	k	kilo (10^3)	v	volt
a-m	amplitude modulation	kg	kilogram	va	voltampere
amp	ampere	kva	kilovolt ampere	vhf	very high frequency
ASA	American Standards Association	kw	kilowatt	vlf	very low frequency
ASTM	American Society for Testing Materials	L	inductance	vol	volume
AVC	automatic volume control	lab	laboratory	rs	versus
ave	average	lb	pound	w	watt
B	susceptance	LC	inductance-capacitance	X	reactance
BCD	binary-coded decimal	lf	low frequency	Y	admittance
C	capacitance	log	logarithm	Z	impedance
C	Centigrade, degrees Centigrade	m	mass	α	short-circuit forward current-transfer ratio (common base)
cm	centimeter	m	meter; milli (10^{-3})	β	short-circuit forward current-transfer ratio (common emitter)
COD	cash on delivery	ma	milliampere	L	reflection coefficient
cps	cycles per second	max	maximum	Δ	increment
cw	continuous wave	mbar	millibar	δ	loss angle
D	dissipation factor	Mc	megacycles per second	θ	phase angle
db	decibel	mh	millihenry	λ	wavelength
dbm	decibel referred to one milliwatt	mil	0.001 inch	μ	micro- (10^{-6})
dc	direct current	min	minimum; minute	μa	microampere
E	voltage	mm	millimeter	μbar	microbar
EIA	Electronics Industries Association	mmho	millimho	μf	microfarad
emf	electromotive force	m Ω	milliohm	μh	microhenry
F	Fahrenheit, degrees Fahrenheit	M Ω	megohm	μsec	microsecond
f	farad	MM Ω	megamegohm	μv	microvolt
f	frequency	mv	millivolt	Ω	ohm
fm	frequency modulation	mw	milliwatt	\bar{U}	mho
f.o.b.	free on board	n	nano (10^{-9}); any number	w	angular velocity ($2\pi f$)
G	conductance	nsec	nanosecond		
g	gravitation constant	n \bar{U}	nanomho		
Gc	gigacycles per second	oz	ounce		
g_m	transconductance	p	parallel, as L_p		
h	henry	PF	power factor		
h_f	forward current-transfer ratio	pf	picofarad		
h_i	short-circuit input impedance	PH	hydrogen in concentration		
h_o	open-circuit output admittance	pp	push-pull; pages		
h_r	reverse voltage-transfer ratio	ppm	parts per million		
I	current	p-to-p	peak-to-peak		
IEC	International Electrotechnical Commission	prf	pulse repetition frequency		
IEEE	Institute of Electrical and Electronics Engineers	Q	quality factor		
i-f	intermediate frequency	R	resistance		
in.	inch	$\text{\textcircled{R}}$	registered trademark		
IRE	Institute of Radio Engineers	RC	resistance-capacitance		
		re	referred to		
		rf	radio frequency		
		RH	relative humidity		
		rms	root-mean-square		
		rpm	revolutions per minute		
		s	series, as L_s		
		sec	second		
		sync	synchronous, synchronizing		
		T	period		
		t	temperature		
		t	time		

PREFIXES

Orders of magnitude from 10^{12} to 10^{-18} are designated by the following prefixes:

Order	Prefix	Symbol
10^{12}	tera	T
10^9	giga	G
10^6	mega	M
10^3	kilo	k
10^2	hecto	h
10	deka	da
10^{-1}	deci	d
10^{-2}	centi	c
10^{-3}	milli	m
10^{-6}	micro	μ
10^{-9}	nano	n
10^{-12}	pico	p
10^{-15}	femto	f
10^{-18}	atto	a

FREQUENCY DESIGNATION OF FM BROADCAST CHANNELS

Freq. (Mc):	Channel No.	Freq. (Mc):	Channel No.	Freq. (Mc):	Channel No.
88.1	201	94.9	235	101.5	268
88.3	202	95.1	236	101.7	269
88.5	203	95.3	237	101.9	270
88.7	204	95.5	238	102.1	271
88.9	205	95.7	239	102.3	272
89.1	206	95.9	240	102.5	273
89.3	207	96.1	241	102.7	274
89.5	208	96.3	242	102.9	275
89.7	209	96.5	243	103.1	276
89.9	210	96.7	244	103.3	277
90.1	211	96.9	245	103.5	278
90.3	212	97.1	246	103.7	279
90.5	213	97.3	247	103.9	280
90.7	214	97.5	248	104.1	281
90.9	215	97.7	249	104.3	282
91.1	216	97.9	250	104.5	283
91.3	217	98.1	251	104.7	284
91.5	218	98.3	252	104.9	285
91.7	219	98.5	253	105.1	286
91.9	220	98.7	254	105.3	287
92.1	221	98.9	255	105.5	288
92.3	222	99.1	256	105.7	289
92.5	223	99.3	257	105.9	290
92.7	224	99.5	258	106.1	291
92.9	225	99.7	259	106.3	292
93.1	226	99.9	260	106.5	293
93.3	227	100.1	261	106.7	294
93.5	228	100.3	262	106.9	295
93.7	229	100.5	263	107.1	296
93.9	230	100.7	264	107.3	297
94.1	231	100.9	265	107.5	298
94.3	232	101.1	266	107.7	299
94.5	233	101.3	267	107.9	300
94.7	234				

CHANNELS AVAILABLE FOR ASSIGNMENT TO NONCOMMERCIAL EDUCATIONAL FM STATIONS

Freq. (Mc):	Channel No.	Freq. (Mc):	Channel No.	Freq. (Mc):	Channel No.
88.1	201	89.5	208	90.9	215
88.3	202	89.7	209	91.1	216
88.5	203	89.9	210	91.3	217
88.7	204	90.1	211	91.5	218
88.9	205	90.3	212	91.7	219
89.1	206	90.5	213	91.9	220
89.3	207	90.7	214		

The frequency 89.1 Mc in the New York City metropolitan area is reserved for the use of the United Nations.

CONVERT ELECTRICAL DEGREES TO FEET, OR VICE VERSA WHEN FREQUENCY AND EITHER FEET OR DEGREES IS KNOWN

From the expression

$$\text{Feet} = \frac{\text{degrees}}{360^\circ} \times \frac{300}{f(\text{Mc})} \times 3.281 = \text{degrees} \times \frac{2.734}{f(\text{Mc})}$$

The following ratio may be set up on the slide rule using C and D scales:

$$\frac{2.734}{f(\text{Mc})} = \frac{\text{feet}}{\text{degrees}}$$

Set 2.734 on scale C over frequency in megacycles on scale D; read feet and degrees on scales C and D, respectively. In some instances it may be convenient to use the folded scales CF and DF.

METRIC CONVERSION

To convert pounds to kilograms,
multiply by .4536
To convert inches to centimeters,
multiply by 2.54

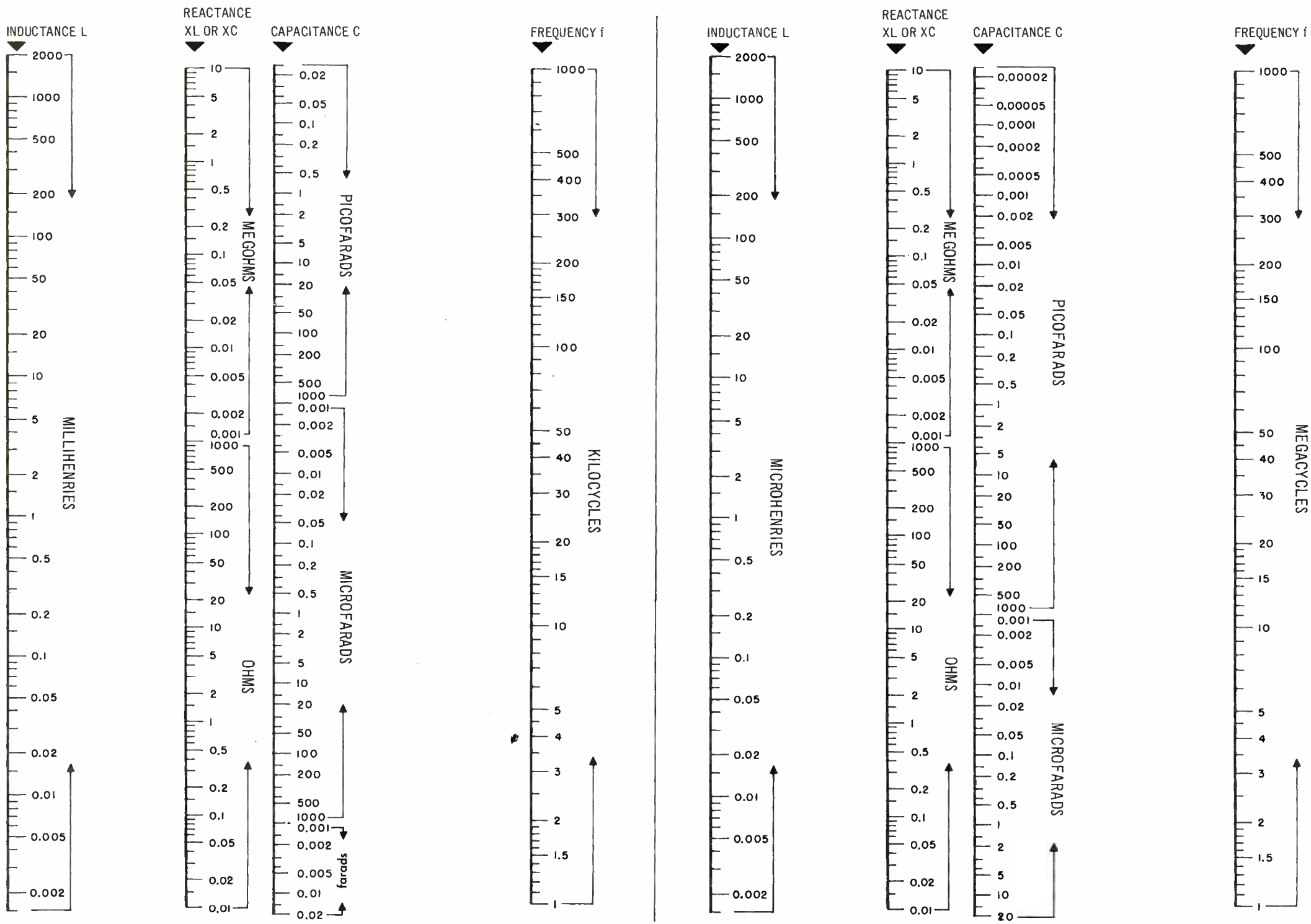
TELEPHONE CABLE COLOR CODE

Pair No.	Color	Mate
1	Blue	White
2	Orange	White
3	Green	White
4	Brown	White
5	Slate	White
6	Blue White	White
7	Blue Orange	White
8	Blue Green	White
9	Blue Brown	White
10	Blue Slate	White
11	Orange White	White
12	Orange Green	White
13	Orange Brown	White
14	Orange Slate	White
15	Green White	White
16	Green Brown	White
17	Green Slate	White
18	Brown White	White
19	Brown Slate	White
20	Slate White	White
21	Blue	Red
22	Orange	Red
23	Green	Red
24	Brown	Red
25	Slate	Red
26	Blue White	Red
27	Blue Orange	Red
28	Blue Green	Red
29	Blue Brown	Red
30	Blue Slate	Red
31	Orange White	Red
32	Orange Green	Red
33	Orange Brown	Red
34	Orange Slate	Red
35	Green White	Red
36	Green Brown	Red
37	Green Slate	Red
38	Brown White	Red
39	Brown Slate	Red
40	Slate White	Red
41	Blue	Black
42	Orange	Black
43	Green	Black
44	Brown	Black
45	Slate	Black
46	Blue White	Black
47	Blue Orange	Black
48	Blue Green	Black
49	Blue Brown	Black
50	Blue Slate	Black

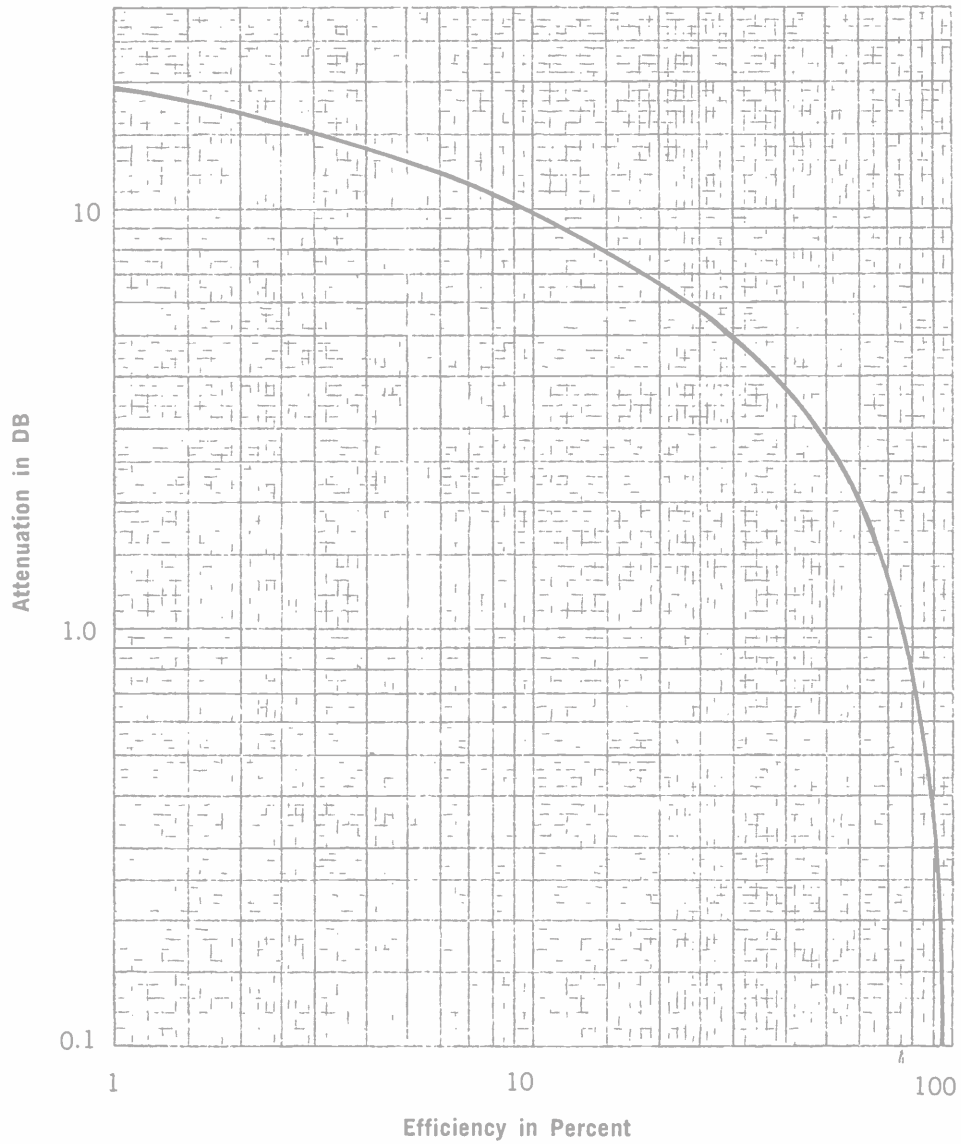
NOTE—The last pair in all cables is a Red with White mate, viz.

6-pair cable	6th pair	Red	White
11-pair cable	11th pair	Red	White
16-pair cable	16th pair	Red	White
26-pair cable	26th pair	Red	White
51-pair cable	51st pair	Red	White

REACTANCE CHART



ATTENUATION EXPRESSED AS EFFICIENCY

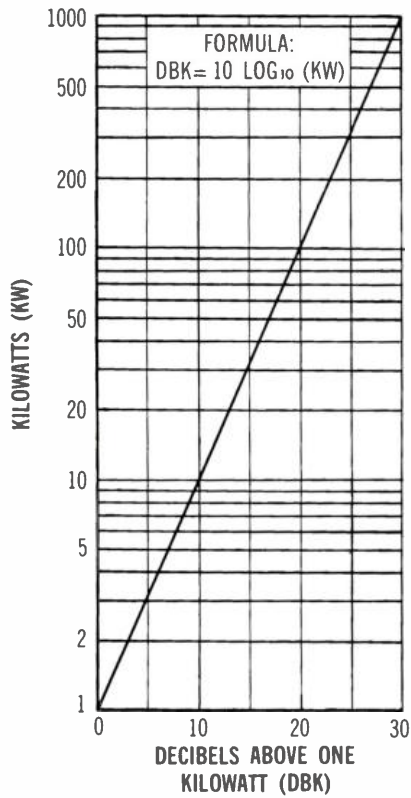


DETERMINATION OF OVERALL TRANSMISSION LINE EFFICIENCY

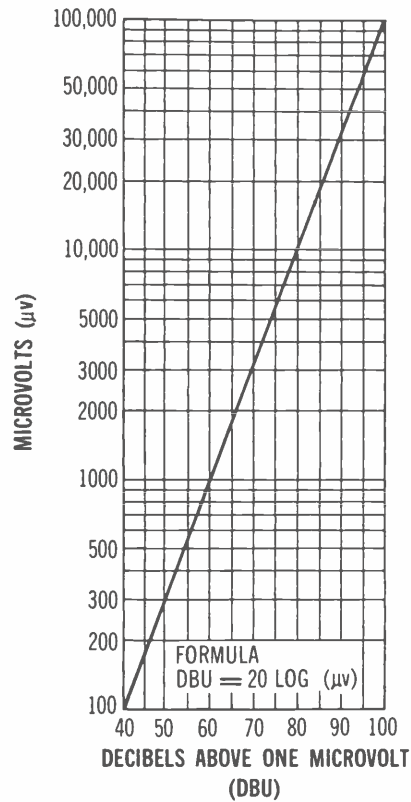
To obtain total loss in a given transmission line, multiply the attenuation in db per 100 ft. by the number of 100 foot lengths of line to be used. By referring to the curve on this page, the overall transmission efficiency may be determined.

STATION LAYOUTS

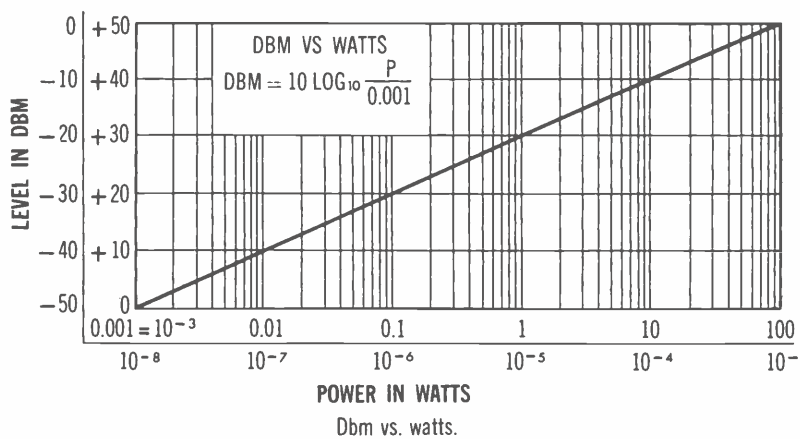




Transformation of kilowatts to decibels above 1 kw.

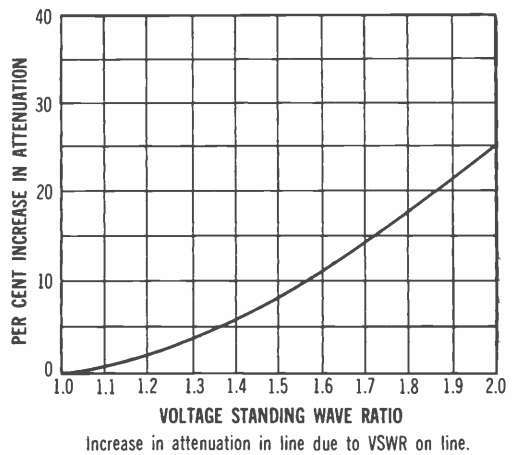
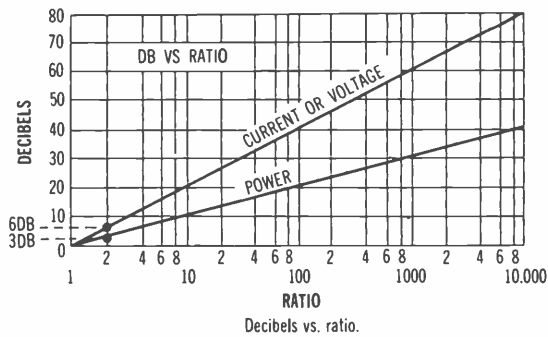


Transformation of microvolts to decibels above 1 μv.

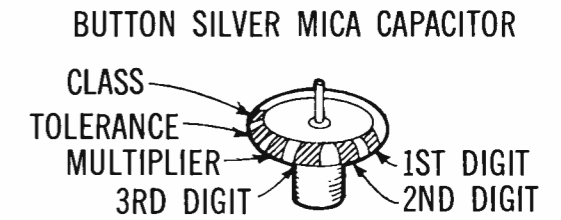
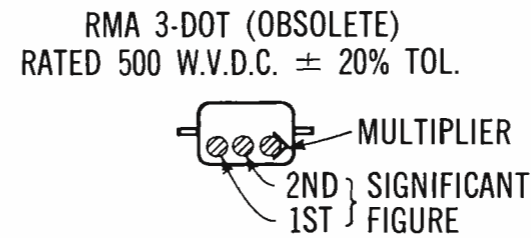
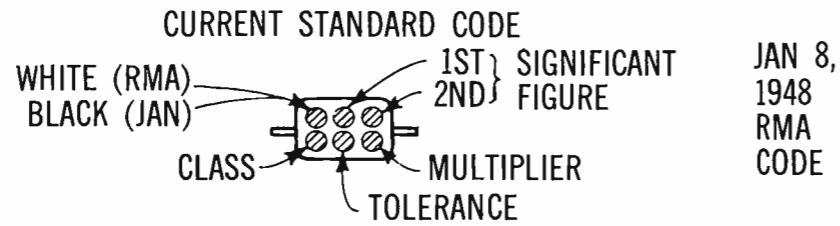


Dbm vs. watts.

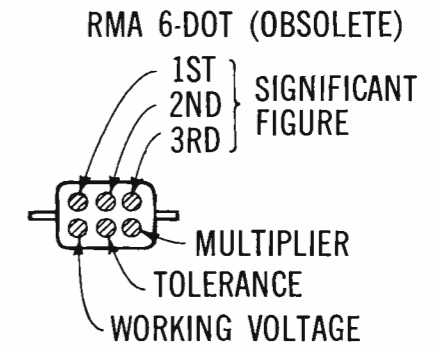
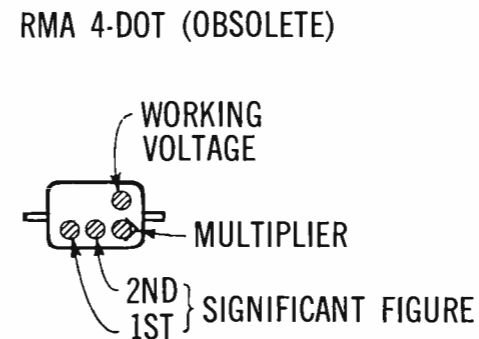
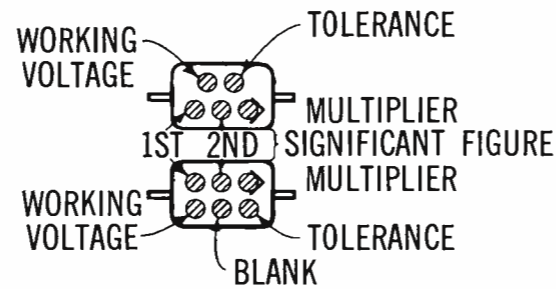
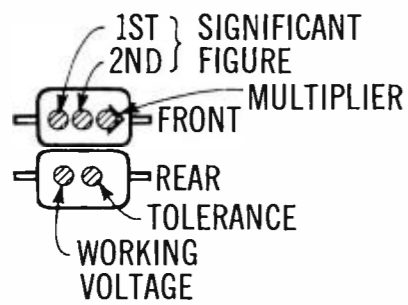
Volume Level to Power and Voltage Conversion		
Reference Level		
0 dbm = 1 mw, 600 ohms		
Milliwatts	Volts	Dbm
0.000001	0.0007746	- 60
0.000010	0.002449	- 50
0.000100	0.007746	- 40
0.001	0.02449	- 30
0.010	0.07746	- 20
0.100	0.2449	- 10
1.000	0.7746	0
Watts	Volts	Dbm
0.001000	0.7746	0
0.002512	1.228	+ 4
0.006310	1.946	+ 8
0.01000	2.449	+ 10
0.1000	7.746	+ 20
1.000	24.49	+ 30
10.00	77.46	+ 40



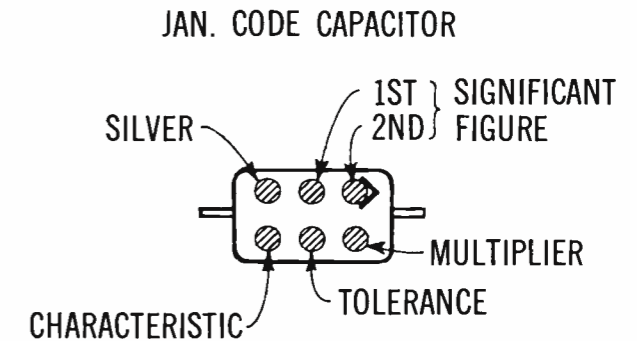
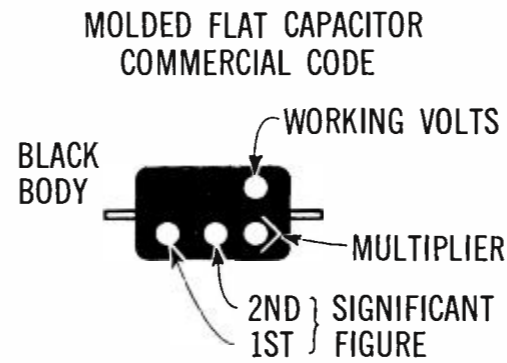
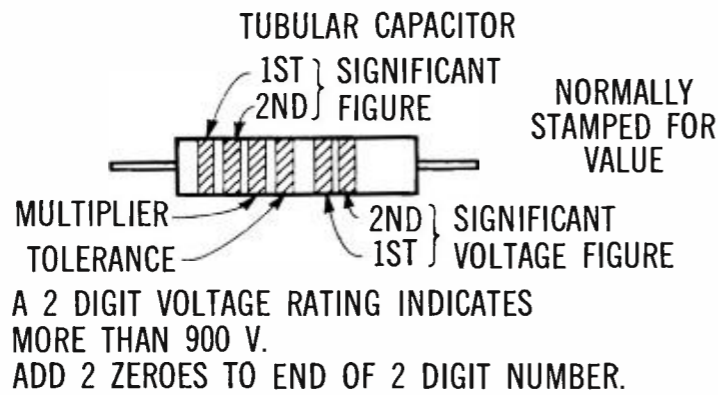
STANDARD COLOR CODE—MOLDED MICA TYPE CAPACITORS



RMA (5-DOT OBSOLETE CODE)



STANDARD COLOR CODE—MOLDED PAPER TYPE CAPACITORS



Remote Control Accessories	112,113	Tape Cartridge Racks	86
Remote Control Panels, Tape	87	Tape Cartridge Repair Kit	88
Remote Control Tape Recorder	92	Tape Cartridge System	84, 85
Remote Equipment	105, 106	Tape Erasers	88
Remote Equipment Accessories	106	Tape Recorders	89, 90, 91, 92
Remote Turntable, Console	102	Tape Splicer, Cutter	88
Replacement Pressure Pads	87	Terminal Board	100
Reproducer	92	Towers, AM	35
Rheostat, Motorized Plate	112	Towers, FM	35
Ring Transformer	37	Tower Light Current Metering	112
Sampling Loop	14	Tower Lighting Choke	11
Short Wave Conversion	4	Transformer, Speaker	97, 98
Speaker	97, 98	Transformer, Turntable	80
Speaker/Amplifier, Tape	90	Transistors	20
Splicing Tape	88	Transmission Lines and Accessories	38-68
Stereo Multiplex Generator	18	Transmitter Control Unit	112
Studio Clock	100	Transmitter, Remote Control Studio Unit	112
Styli	82, 84	Turntables	79, 80
Switch Matrix	75	Turntable Cabinet	80
Tape, Automatic Programming Test	88	Utility Towers	35
		Wire, Shielded	100

INDEX BY TYPE NUMBER

1H1612 Studio Clock	100	44AN-75 N Jack	51
2YC Stacking Harness	106	44AR Flange	48
4G-01D Cartridge & Styli	84	44AR-3 Flange	48
4G-02D Cartridge & Styli	84	44AZ Heliax Splice	48
4G-01S Cartridge & Styli	84	45AH HN Jack	51
4G-02S Cartridge & Styli	84	45AJ HN Plug	51
4GD-01D-02D Cartridge & Styli	84	45AL LC Jack	51
4GD-01D-02S Cartridge & Styli	84	45AM LC Plug	51
4GD-01S-02S Cartridge & Styli	84	45AN-3 N Jack	51
4GS-01D Cartridge & Styli	84	45AP UHF Plug	50
4GS-02D Cartridge & Styli	84	45AP-3 UHF Plug	50
4GS-01S Cartridge & Styli	84	45AR Flange	50
4GS-02S Cartridge & Styli	84	45AR-3 Flange	50
20V3 Transmitter	3	45AT End Terminal	51
26J-1 Auto-Level Limiting Amplifier	76	45AT-3 End Terminal	51
26U-1 Amplifier, Limiting Console	77	45AU UHF Jack	50
26U-2 Amplifier, Stereo Limiting	78	45AU-3 UHF Jack	50
37M FM Antennas	32	45AW N Plug	51
42E-7 Antenna Coupling Unit	11	45AW-3 N Plug	51
42E-8A Antenna Coupling	11	45AZ Heliax Splice	50
42E-8B Antenna Coupling	11	45AZ-3 Heliax Splice	50
44AGR Adapter	49	47L LC Jack	52
44AN N Jack	51	47L-3 LC Jack	52
		47N N Jack	52

47N-3 N Jack	52	87T End Terminal	43
47R Flange	52	87U UHF Jack	43
47R-3 Flange	52	87Z Helix Splice	42
47W N Plug	53	87Z-3 Helix Splice	42
47W-3 N Plug	53	108E Phase Monitors	111
47Z Helix Splice	52	Type 112 Phase Monitors	111
47Z-3 Helix Splice	52	111A-12 Recording Tape	88
48R Flange	54	120 Tower	35
48Z Helix Splice	54	FIM135 Field Intensity Meter	111
71 N N Jack	39	135-15 Feed-Through Insulator	11
71T End Terminal	39	144A-1 Isolation Coil	15
71W N Plug	39	145-101-13 Contactor	15
71Z Helix Splice	39	145-102-13 Contactor	15
72N N Jack	39	145-201-13 Contactor	15
72T End Terminal	39	145-202-13 Contactor	15
72W N Plug	39	150-18 Recording Tape	88
72Z Helix Splice	39	156 Headphones	99
74N N Jack	39	157 Headphones	99
74T End Terminal	39	170KD Tower	35
74W N Plug	39	172G-1 Dummy Antenna	11
74Z Helix Splice	39	172G-2 Dummy Antenna	11
75AG Flange & Gas Barrier	40	180 Tower	35
75AG-3 Flange & Gas Barrier	40	190-18 Recording Tape	88
75AL LC Jack	41	200C Tape Eraser	88
75AM LC Plug	41	208-S Playback Arm	81
75AM-75 LC Plug	41	208-SG Playback Arm	81
75AN N Jack	41	212H-1 Remote Amplifier	103
75AN-3 N Jack	41	212M-1 Console	72
75AN-75 N Jack	41	212S-1 Console	70
75AR Flange	40	212TN Playback Arm	81
75AR-3 Flange	40	212Z-1 Remote Amplifier	104
75AR-75 Flange	40	216C-2 Tape Recorder	85, 86
75AT End Terminal	40	220 Tower	35
75AT-3 End Terminal	40	260S-1 Mixer Add-On Unit	71
75AT-75 End Terminal	40	300 Cartridges	87
75AU UHF Jack	41	300 Studio Unit	112
75AU-3 UHF Jack	41	300 Transmitter Control	112
75AU-75 UHF Jack	41	300C Antenna	34
75AW N Plug	41	313T Remote Control Panels	87
75AZ Helix Splice	40	340 Tower	35
75AZ-3 Helix Splice	40	350AG Recorder	90, 91
77AL-75 LC Jack	43	356H-1 Phonograph Equalizer Preamplifier	80
77AM-75 LC Plug	43	356M-1 Monitor Amplifier	74
77AR-75 Helix Flange	42	356R-1 Phono Preamplifier	76
77AT-75 End Terminal	43	356T-1 Preamplifier	73
77AZ-75 Helix Splice	42	356V-1 Hi Level Amplifier	73
78G Flange & Gas Barrier	44	384D-1 Switch Matrix	75
78G-75 Flange & Gas Barrier	44	409Z-1 Power Supply	75
78L LC Jack	45	423-0219-00 Microphone Cable	100
78R Flange	44	425-0061-00 Microphone Cable	100
78R-75 Flange	44	425-0151-00 Microphone Cable	100
78S Connector	44	427-6 Terminal Board	100
78S-75 Reducer Connector	44	439-5900-00 Microphone Cable	100
78Z Helix Splice	45	480 Tower	35
78Z-75 Helix Splice	45	506B Modulation Monitor	108
79G Flange & Gas Barrier	46	560 Rigid Transmission Line	55
79R Flange	46	561 Rigid Transmission Line	56
79Z Helix Splice	46	562A Rigid Transmission Line	58
81M Phasor	12	564A-1 Sampling Loop	14
87G Flange & Gas Barrier	42	564A-2 Sampling Loop	15
87G-3 Flange & Gas Barrier	42	600 Cartridge	87
87L LC Jack	43	600MA Plate Current Metering Unit	112
87M LC Plug	43	602 Recorders	89
87N N Jack	43	602 Recorder Accessories	90
87R Flange	42	622 Speaker/Amplifier	90
87R-3 Flange	42	642A-2 Tape Playback	85
87S Connector	42	786M-1 Generator	18

INDEX BY TYPE NUMBER (Continued)

808A-1 Remote Turntable, Console	102	3921 Brace	57
820E/F-1 5/10 KW AM Transmitter	6	3922 Brace	59
821A-2 HF Transmitter	9	4850 Adapter Interconnector	41, 51, 55
830B-1 FM Transmitter	21	4851 Adapter Interconnector	43, 53, 56
830D-1A FM Transmitter	23	4852 Adapter	58
830E-1A FM Transmitter	25	4861 Coupling	57
830F-1A FM Transmitter	27	4862 Coupling	59
830F-2A FM Transmitter	27	4944 Release Valve	62
830H-1A FM Transmitter	29	4947 Coupling	62
830N-1A FM Transmitter	30	4949 Release Valve	62
858A Tank Fittings	61	5960 Dehydrator	61
878 Dry Air Pump	61	6600A Gas Manifold	61
900C-1 Modulation Monitor	109	8412 Microphone Cable	100
1021 Recorder/Reproducer	92	8422 Microphone Cable	100
1022 Recorder/Reproducer	92	8738 Microphone Cable	100
1028 Recorder/Reproducer	91	8758 Microphone Cable	100
1060 Elbow	41, 51, 55	9905-18 Vinyl Tape	62
1061 Elbow	43, 53, 56	10195 Hose Assembly	62
1062 Elbow	45, 58	10683-2 O-Ring Gasket	57
1070 Elbow	41	10683-3 O-Ring Gasket	59
1071 Elbow	43	10741-2 Copper Tubing	62
1072 Elbow	45	10804-4 N Panel Receptacle	38
1073 Elbow	46	10804-9 N Junction	38
1200 Cartridge	87	10804-10 N Right Angle Connector	38
1200MA Plate Current Metering Unit	112	10804-11 N Junction	38
1260 Gas Barrier	41, 43	10804-34 N Cable Jack	38
1260A Gas Barrier	55	10804-36 N Cable Plug	38
1261B Gas Barrier	53, 56	10805-1 UHF Cable Plug	38
1262 Gas Barrier	45, 58	10805-4 UHF Tee Connector	38
1271 Gas Barrier	43	10805-5 UHF Right Angle Connector	38
1272 Gas Barrier	45	10805-6 UHF Junction	38
1273 Gas Barrier	46	10805-11 Adapter, UHF Jack	38
1362 Gas Inlet Coupling	59	10805-12 Adapter, UHF Plug	38
1560A Flange Kit	55	10994-2 Coupling	62
1561A Flange Kit	57	10994-4 Coupling	62
1562A Flange Kit	59	11381-2 Hardware Kit	57
1860 Reducer	41, 53, 56	11381-3 Hardware Kit	59
1861 Reducer	45, 53, 56, 58	11662-2 Insulated Mounting Clamp	41, 51
1871 Reducer	45	11662-3 Insulated Mounting Clamp	39, 49
1872 Reducer	46, 58	12129 Sleeve	62
1920A Dehydrator	60	12395-1 Wraplock	33, 39, 41, 47, 49, 53
2061 End Terminal	43, 53, 57	12418-1 LC Cable Plug	38
2062 End Terminal	45, 59	12418-3 LC Junction	38
2071 End Terminal	43	12418-5 N Cable Plug	38
2072 End Terminal	45	12418-12 UHF Cable Plug	38
2260 Adapter	55	12430-1 Ground Clamp	57
2261 Adapter	56	12431 Ground Clamp	59
2262 Adapter	58	13550 Hanger Adapter	45, 59
2360 Adapter	55	13552 Spacer	57
2361 Adapter	56	13555 Hanger Adapter	45, 55, 59
2400MA Plate Current Metering Unit	112	13889 Spring Hanger	55
2962 Breakaway Section	59	13924 Rigid Hanger	57
3009 Horizontal Anchor	55	13925 Spring Hanger	59
3009 Pick-Up Arms	81	13926 Spring Hanger	59
3012 Pick-Up Arms	81	13927 Rigid Hanger	45, 59
3012 Thread Lubricant	62	14063 Insulator	57, 59
3016 Pipe Tee	62	14327 Sliding Hanger	55
3017 Inlet Valve	62	14328 Rigid Hanger	55
3018 Pipe Plug	62	14379 Sliding Hanger	57
3022 Pipe Tee	62	14387 Sliding Hanger	57
3026 Pipe Nipple	62	14441 Sliding Hanger	57
3027 Release Valve	62	14442 Sliding Hanger	57
3500 Pressure Gauge	62	15069 Connector	43, 53, 56
3901 Anchor	57	15093 Connector	45, 59
3902 Anchor	59	15840 Flange Kit	59
3911 Hanger	57	16253 Jumper Cable	49
3912 Hanger	59	18041 Flange Kit	57

18096 Flange Kit	55	H5-75 Heliac Cable	40
18200 Flange Kit	59	H7-50A Heliac Cable	42
18275 Connector	41, 51, 55	H7-75 Heliac Cable	42
18630 Flange Kit	55	H8-50A Heliac Cable	44
18631 Flange Kit	57	H8-75A Heliac Cable	44
19209B Flexible Section	59	H9-50 Heliac Cable	46
19256A Hoisting Kit	41, 51	HD-11M Tape Eraser	88
20695 Flexible Section	57	HJ1-50 Heliac Cable	39
22418 Hanger	45	HJ2-50 Heliac Cable	39
23187 Adapter	45	HJ4-50 Heliac Cable	39
24254 Interconnector	43	HJ5-50 Heliac Cable	40
24312 Hoisting Kit	43, 53	HJ5-75 Heliac Cable	40
24444 Interconnector	45	HJ7-50A Heliac Cable	42
24530 Adapter	45	HJ7-75 Heliac Cable	42
24622 Hanger	43, 53	HJ8-50A Heliac Cable	44
24810-1/2/3 Ground Kit	41, 51	HJ8-75A Heliac Cable	44
24811-1/2/3/4 Ground Kit	43, 53	HJ9-50 Heliac Cable	46
25385 Interconnector	41	LC Jack	48
25388 Interconnector	41	LC Plug	48
25435 Tubing	62	LR-1-C Latching Relay	112
25436-4 Elbow	62	M5D Phonograph Cartridge	83
25436-12 Pipe Nipple	62	M6S Phonograph Cartridge	83
25572 Adapter	43	M-20 Microphone	93
26666 Reducer Connector	44	M-20 Microphone Desk Stand	93
26892-1/2/4 Grounding Kit	49	M-30B/TPS Mobile Transmitter	105
26985 Hoisting Kit	45	M-40 Microphone	93
27290 Copper Weld Tie Wire	39, 47, 49, 51	M44-5 Phonograph Cartridge	82
28708-1 Grounding Kit	45	M44-7 Phonograph Cartridge	82
28708-2 Grounding Kit	45	M-70 Microphone	93
29958 Cable Grip	41, 51	M232 Playback Arm	83
30079 Connectors	58	M236 Playback Arm	83
30417-1 Grounding Kit	46	MA-1 Antenna	106
30417-2 Grounding Kit	46	MM-151 Recording Tape	88
30452 Adapter	57	MPR-2 Motorized Plate Rheostat	112
31031 Cable Grip	46	MPR-3 Motorized Plate Rheostat	112
31614 Regulating Tank	60	MPR-4 Motorized Plate Rheostat	112
31616 Humidity Sensor	60	MR-2C Monetary Relay Unit	112
31618 Pressure Sensor	60	MR-30/150-170 Remote Receiver	105
31680-1/2 Connector	62	MS-10C Microphone Floor Stand	96
31680-3/5 Tee Connector	62	MS-11C Microphone Floor Stand	96
31712 Strap	62	MS-25 Microphone Floor Stand	96
63305-DB Beacon Light Control	37	P3-13 Connector	101
A830-2 FM Exciter	20	P3-14 Connector	101
A-3818 Speaker Transformer	97	P3-35 Connector	101
AC-100 Antenna Current Metering Unit	112	P3-35-2G Connector	101
AG-350-1 Mono Record/Reproducer	90, 91	P3-CG-11S Connector	101
AG-350-2 Stereo Record/Reproducer	90, 91	P3-CG-12S Connector	101
AG-355-1 Mono Reproducer	91	P8-T3 Speaker	98
AG-355-2 Stereo Reproducer	91	P12-T Speaker	98
ASP-143 Bumper Mount	106	PA-1 Antenna	106
ASP-177 Antenna	106	PBR-21 Meter Panel	113
BA-200 Headphones	99	PBR-21 Studio Control Unit	113
BA-206 Headphones	99	PBR-21 Transmitter Control Unit	113
BB-1 Microphone Boom	96	PV-10 Plate Voltage Metering Unit	112
BX-801 Tape Recorder	92	RA-2 Antenna	106
BX-822 Tape Recorder	92	RA-4 Antenna	106
CR-1772 Rack Cabinet	100	RC 8 Remote Control	92
CR-1773-B Rack Cabinet	100	RMC-1 Remote Control	106
CS-12 Loudspeaker	97	S-260 Playback Arm	83
DS-7 Microphone Desk Stand	95	S-320 Playback Arm	83
DWW-3 Desk Wing Console	85, 86	SC-155-B Antenna	106
FM-1 Flexo Mikester	96	SCB-8D Baffle	99
GR-6355 Connector	106	SCB-12D Baffle	99
H1-50 Heliac Cable	39	SCG-4 Carrier Generator	113
H2-50 Heliac Cable	39	SM5A Microphone	94
H4-50 Heliac Cable	39	SM33 Microphone	94
H5-50 Heliac Cable	40	SM50 Microphone	94

INDEX BY TYPE NUMBER (Continued)

SM300 Microphone	95	Type UHF Jack	49
ST-276 Level Control	98	Type UHF Plug	49
ST500 Splicing Tape	88	UA-3-11 Connector	101
ST-760 Level Control	98	UA-3-12 Connector	101
TC-25 Tower Light Current Metering Unit	112	UA-3-13 Connector	101
TCW-2Q Turntable Cabinet	80	UA-3-14 Connector	101
TCW-4Q Turntable Cabinet	80	UA-3-31 Connector	101
TCW-9Q Turntable Cabinet	80	UA-3-32 Connector	101
T1-300 Test Intercom	112	WB-8D Baffle	99
T1-2017 Ring Transformer	37	WB-12D Baffle	99
T1-2035 Ring Transformer	37	WG-52 Dummy Antenna	11
TPS-1 Remote Power Supply	106	XLR-11C Connector	101
TPS-TC Mobile Assemblage	106	XLR-11SC Connector	101
TS-8D Tape Splicer, Cutter	88	XLR-3-12C Connector	101
TT-200 Turntable	79	XLR-3-12SC Connector	101
TT-200S Turntable	79	XLR-3-13 Connector	101
TT-250S Turntable	79	XLR-3-13N Connector	101
TT-400 Turntable	79	XLR-3-14 Connector	101
TT-400S Turntable	79	XLR-3-14N Connector	101
TT-450S Turntable	79	XLR-3-35 Connector	101
TT-900 Turntable	79	XLR-3-35G Connector	101
Type UHF Jack	47	XLR-3-36 Connector	101
Type UHF Plug	47	XLR-3-36-2G Connector	101
Type UHF N Jack	47	YC Antenna	106
Type UHF N Plug	47		



***COLLINS BROADCAST
COMMUNICATION
SALES POLICY***

HOW TO ORDER

This catalog has been prepared to make it possible for you to order directly from the Collins Broadcast Communication Division or your Collins Broadcast Sales Engineer with a minimum of effort and maximum assurance that you will receive the best equipment available. Collins type numbers and part numbers are listed so that you may order by mail, if you wish, and receive the same fast, personal service that is available from your Collins Broadcast Sales Engineer.

PRICES

Prices in the price book inside the back cover replace all previous prices and are subject to change without notice. Orders are filled at prices in effect at the time of shipment. If prices are reduced, you receive the advantage of the lower price. Collins customers outside the 50 United States should contact Collins Radio Company, International Division, Dallas, Texas, or Collins Radio Company of Canada, Ltd., Toronto 16, Ontario.

SIGNED ORDERS

All orders must be signed by an officer of the purchasing corporation, partnership or company. All orders, down payment agreements and terms are subject to final acceptance at the Collins Broadcast Sales Division office in Dallas, Texas.

SUBSTITUTION AND MODIFICATION

Collins reserves the right to modify, without notice, the design and specifications of equipment designed by Collins.

TERMS OF SALE

Terms of payment for all Collins Radio Company broadcast equipment sales fall into the following categories:

1. Cash in advance or C.O.D.
2. Net 30 days.
3. 30-60-90 days (no interest or carrying charge).
4. Conditional Sales Contract.

DOWN PAYMENT

On all firm orders applicable to Conditional Sales Contracts, a minimum down payment of 25% is required, with the balance spread equally. In the case of contingent orders, a minimum of 3% down is required.

SHIPMENT

In the absence of specific instructions Collins will select the carrier to whom delivery will be made for shipment to the purchaser.

DAMAGES IN SHIPPING

Usually, shipments from Collins Radio Company or one of its vendors on a drop ship basis are made "Shipping Charges Collect." As such, the equipment automatically becomes the property of the purchaser when picked up by the carrier. Should damage occur during shipment, the request for inspection and claims for damage must be made by the purchaser with reimbursement paid directly to him. Collins will gladly assist the purchaser with any necessary information he may require to successfully negotiate a claim.

DELIVERY

Unless otherwise specified, delivery will be made f.o.b. from one of Collins' various shipping points or from the shipping point of a supplier of Collins. Although Collins makes every effort to expedite shipments, the Company cannot guarantee nor be held responsible for delays in shipments caused by a supplier of Collins or by the carrier.

FIELD SERVICE

Fast field service is assured owners of Collins broadcast equipment by the Collins Service Division. A staff of selected specialists is maintained to provide Collins customers a level of service consistent with high performance equipment. For service on Collins equipment which is essential to continued on-the-air operations of the station, contact your Collins Broadcast Sales Engineer. For emergency, after-hours service, Call Dallas, Texas, 214 AD 5-9511. Collins field service engineers are stationed at key points throughout the world. Overseas customers contact your nearest International office.

RETURNING GOODS

All returned goods, whether for repair, replacement or credit, must be authorized by Collins Radio Company. A

return material tag and service report will be enclosed with your authorization for the return of the goods. An accurately completed report will assure prompt handling of repairs, necessary parts, replacements and adjustments of accounts where required. Address material as follows:

Collins Radio Company

Dallas, Texas 75207

Attention: CRG/Re (Sales Order Number)

Contingent on Collins' agreement to accept such returned goods, a restocking charge of 15% will be made on all items returned due to customer requested changes or deletions from original orders after shipment is made. All returns must be sent prepaid and properly insured by the customer. If warranted, Collins will adjust and/or issue credit for these shipping expenses.

GUARANTEE

Collins' faith in its equipment — as well as its record of quality and reliability — allows the Company to maintain a formal guarantee that Collins will repair or replace, without charge, any equipment, parts or accessories which are defective as to design, workmanship or material, and which are returned to Collins with transportation prepaid. To be eligible for the Collins guarantee, several conditions must be met:

1. Notice of the claimed defect in equipment manufactured by Collins is given Collins within two years from date of delivery and goods are returned in accordance with Collins' instructions to you.

2. Equipment, accessories, tubes and batteries not manufactured by Collins or from a Collins design are subject to only such warranties and adjustments as Collins may obtain from the supplier.

3. Equipment or accessories will not be considered defective if the equipment has been exposed to improper treatment, excessive moisture or if it has been altered or repaired by persons other than Collins authorized representatives.

In no event does Collins have any liability for consequential damages or for the loss, damage or expense directly or indirectly arising from the use of the products or any inability to use them either separately or in combination with other equipment or materials or from any other cause. Collins further guarantees that any Collins radio transmitter will deliver full radio frequency power output at the antenna terminal when connected to a suitable load, but Collins does not guarantee any definite coverage or range.

UNITED STATES BROADCAST OFFICES

Collins Radio Company
Broadcast Communication Division
Dallas, Texas 75207
Telephone: Area Code 214 ADams 5-9511

K. A. Blake
Collins Radio Co.
P. O. Box 57087
Los Angeles, California 90057
Telephone: DUnkirk 5-6421
California, Nevada, Arizona, Utah, Hawaii

R. C. Evans
P. O. Box 8026
Jackson, Mississippi 39204
Telephone: 939-4220
*Arkansas, Western Half of Kentucky, Louisiana,
Mississippi, Western Half of Tennessee*

R. J. Henry
Route 2
Roanoke, Indiana
Telephone: 672-2906
Indiana, Michigan (East of Lake Michigan), Ohio

L. H. Leggett
Collins Radio Company
1271 Avenue of the Americas
New York, New York 10020
Telephone: JUDson 6-5678
*Maine, New Hampshire, Massachusetts,
Rhode Island, Connecticut, New Jersey,
New York, Vermont*

J. L. Littlejohn
12708 Myrtle Circle
Hopkins, Minnesota 55343
Telephone: 935-7011
*Michigan (West of Lake Michigan), Minnesota,
Nebraska, North Dakota, South Dakota, Wisconsin*

R. O. Looper
P. O. Box 207
Clinton, Illinois 61727
Telephone: 935-5502
Illinois, Iowa, Kansas, Missouri

J. H. Speck
Collins Radio Company
Dallas, Texas 75207
Telephone: ADams 5-9511
New Mexico, Oklahoma, Texas, Colorado

J. F. Stanbery
P. O. Box 748
Gatlinburg, Tennessee 37738
Telephone: 436-5497
*Eastern Half of Kentucky, Eastern Half of
Tennessee, W. Virginia (West of Pulaski),
North Carolina, South Carolina*

C. W. Walters
3658 Colebrook Drive
Jacksonville, Florida 32210
Telephone: SPring 1-2978
Alabama, Florida, Georgia

W. J. Monroe
Collins Radio Company
2826 Empire Way South
Seattle, Washington 98144
Telephone: 725-3385
*Alaska, Idaho, Montana, Oregon,
Washington, Wyoming*

J. L. Humphreys
11514 Maple Ridge Road
Reston, Virginia 22070
Telephone: 471-7449
*Pennsylvania, Maryland, Delaware, Virginia,
West Virginia (North of Charleston)*

SPECIAL CONSULTANT

A. P. Walker
Collins Radio Company
Universal Building
Washington, D. C.
Telephone: 332-9211



Why is this trademark important to you?

For 30 years one principle has guided us in meeting our responsibility to provide you with equipment of the highest performance standards. That principle is *integrity*.

<i>integrity in design</i>	25 % of our people are in Research and Development.
<i>integrity in manufacturing</i>	The best facilities, the best materials, the industry's finest craftsmen.
<i>integrity in sales</i>	Honest claims, backed up by a seldom-used but always dependable guarantee.
<i>integrity in service</i>	Around the world, around the clock to <i>insure</i> Collins performance.

Our trademark is a symbol of Collins integrity. You can depend on it.



COLLINS RADIO COMPANY • Broadcast Communication Division, Dallas • International Division, Dallas

