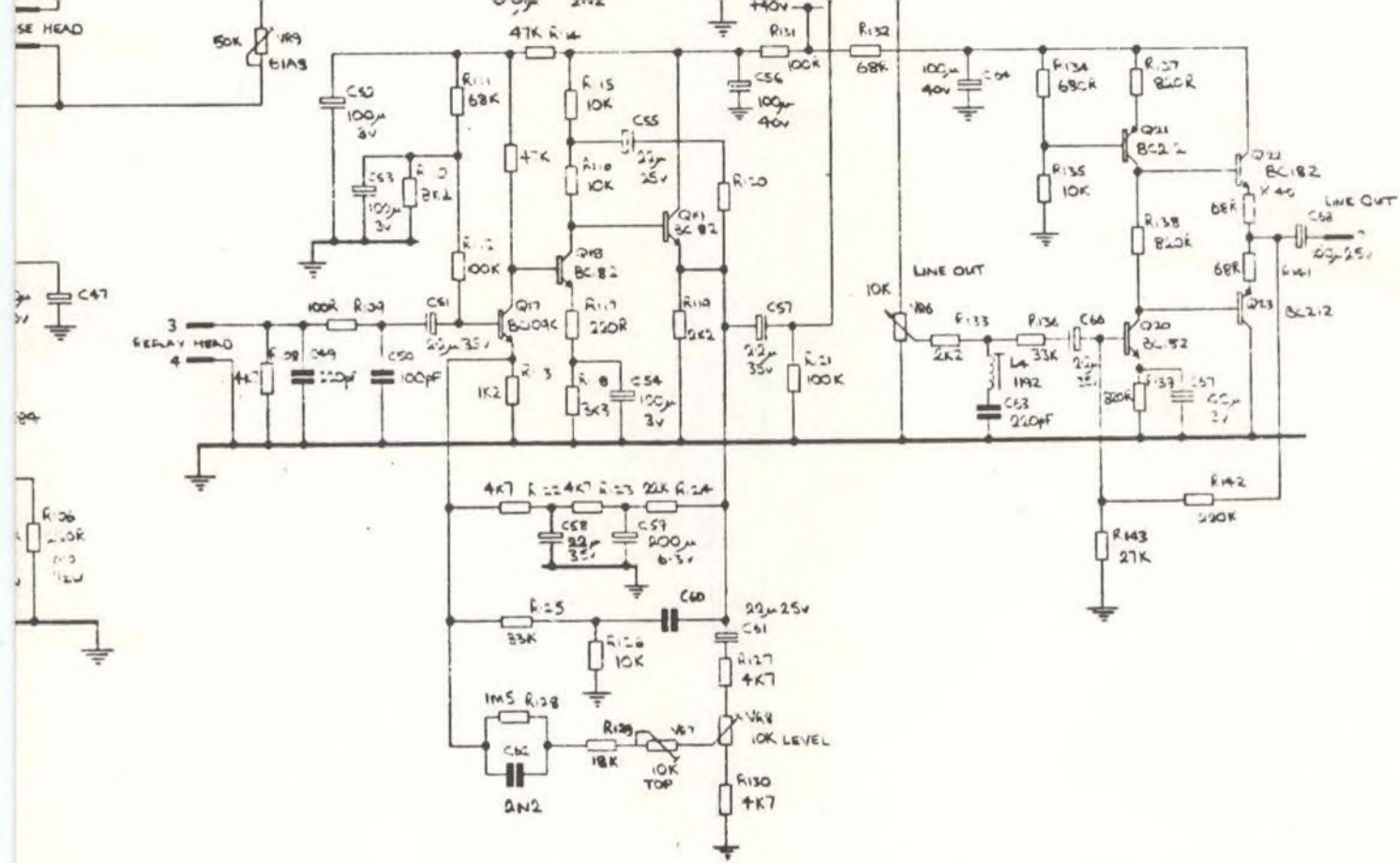


RECORD REPLAY AMPLIFIER

No.	DESCRIPTION	CHKD BY	DATE
	ALTERATIONS		



CARD

TC8001

DRAWN <i>[Signature]</i>	TRACED	CHECKED	APPROVED	DATE	SCALE
-----------------------------	--------	---------	----------	------	-------

DRAWING No.

