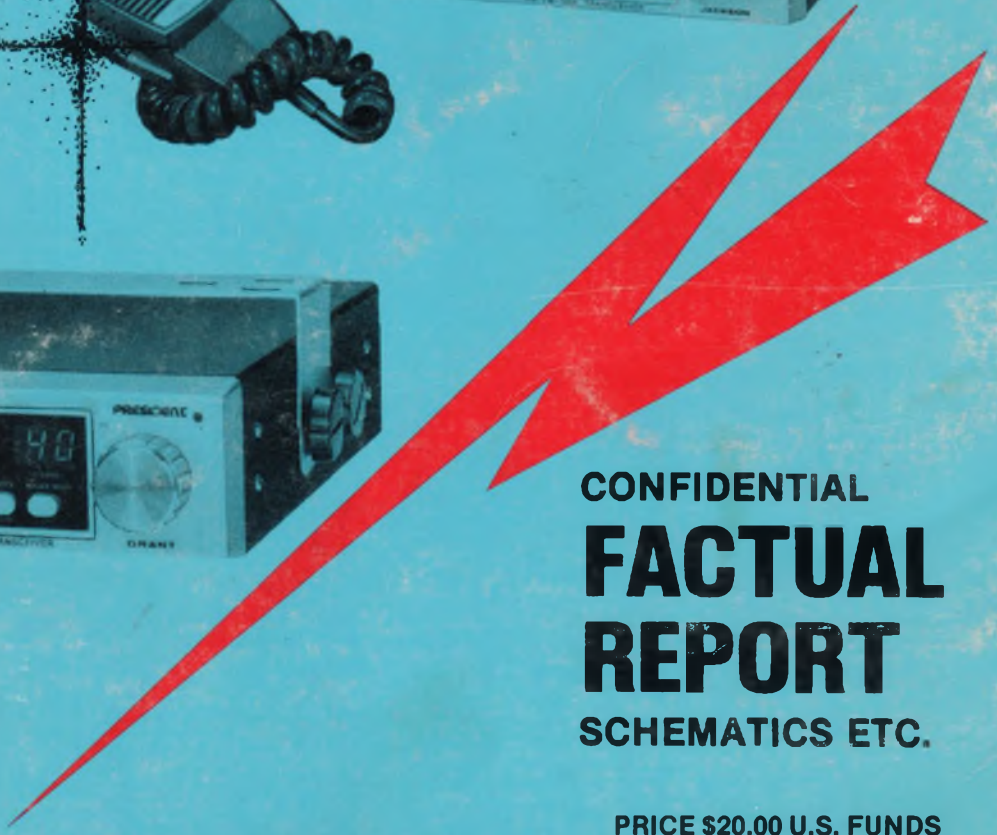


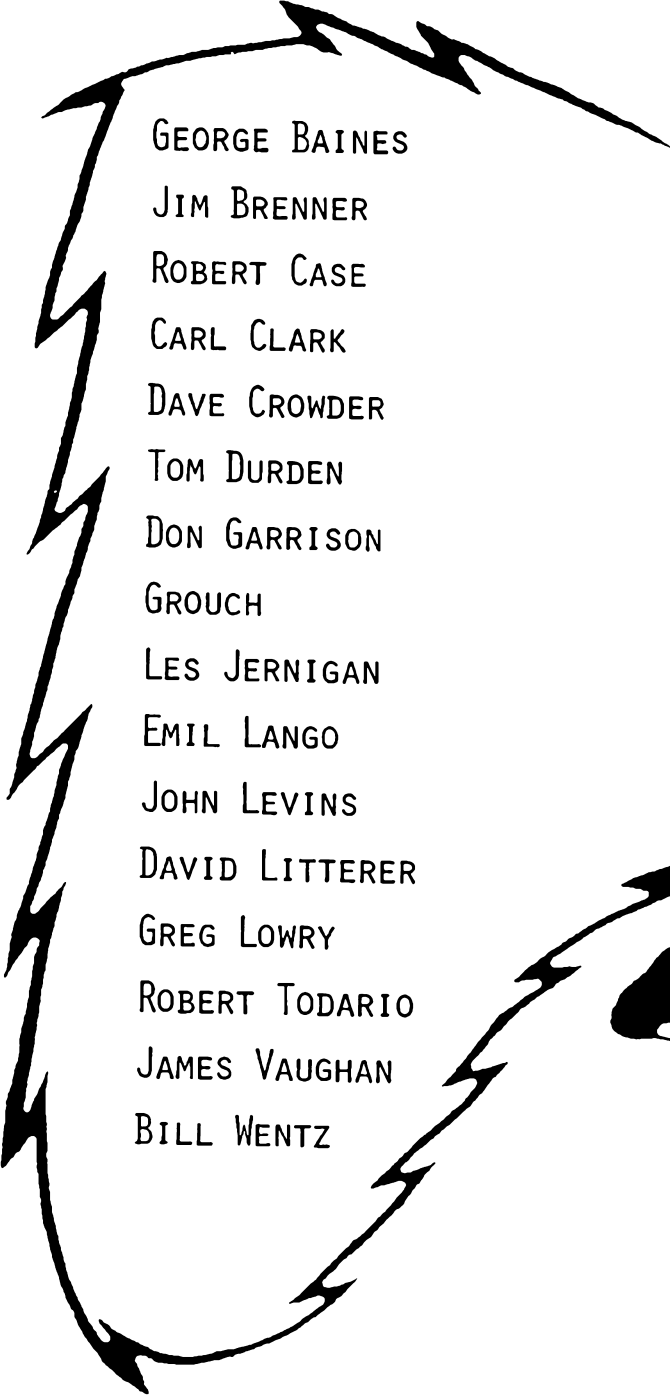
SECRET CB[®]



CONFIDENTIAL
**FACTUAL
REPORT**
SCHEMATICS ETC.

ACKNOWLEDGEMENTS

SECRET CB WISHES TO GRATEFULLY ACKNOWLEDGE THE FOLLOWING PEOPLE FOR THEIR HELP AND CONTRIBUTIONS TOWARD GETTING VOLUME 19 IN PRINT. THEIR ENCOURAGEMENT AND CONTRIBUTION OF MATERIAL HAS BEEN INVALUABLE.



GEORGE BAINES
JIM BRENNER
ROBERT CASE
CARL CLARK
DAVE CROWDER
TOM DURDEN
DON GARRISON
GROUCH
LES JERNIGAN
EMIL LANGO
JOHN LEVINS
DAVID LITTERER
GREG LOWRY
ROBERT TODARIO
JAMES VAUGHAN
BILL WENTZ

WANTED

NEW MODIFICATIONS
NEW CONVERSIONS
TECHNICAL TIPS
PROJECT PLANS
ETC. ETC. ETC.



DORIS SAYS "THANKS" AND A FREE BOOK TO THE ABOVE PEOPLE.

INTRODUCTION

We are in our 7th year of publishing SECRET CB. Many people have been involved with the gathering of information that has gone into the 19 volumes. Hope all of you have enjoyed this joint effort as much as we have.

We have covered a lot of the FM-DX units and there will definitely be more to come in SECRET CB Volume 20. Such as, complete factory line up info for the Jackson & Grant; whole pot full of modifications for the Jackson complete with hi-low power switch; more modification for Grant.

JOKE - EXPOSED! See page 69 for flyer that was sent to distributors with no return address/explanation! Got them all stirred up trying to find 'WILSON & TAFT'. "NO SUCH RADIOS EXIST, FAKE ARTWORK AND SPECS." I know for a fact; as he sent me a little 'DORIS'. (See below, think I will keep her). Reason for doing this was: Quote: "Stir up the distributors, who would stir up the manufacture/importer, who in turn would start building some top notch equipment!"

Hope to have a NEW PRODUCT RELEASE for volume 20.

Bill's phone number has gotten out and he doesn't appreciate calls at supper time, nor partial information over the phone. PLEASE WRITE!

Seems rumors have started that NEC has discontinued the 2SC1306 and 2SC1307. This is not so. They are still in production and we here at SECRET CB have plenty in stock.

Still no winner to our puzzle contest. Here is another hint: two words that fit in the down section - agent & cord. Now you have to find where they go.

Hope all of you are as pleased as we are with the fine job William G. Wentz, Jr. is doing as Editor of SECRET CB. THANKS BILL!!!!!!

Always sincerely yours,

Doris

Doris Selman

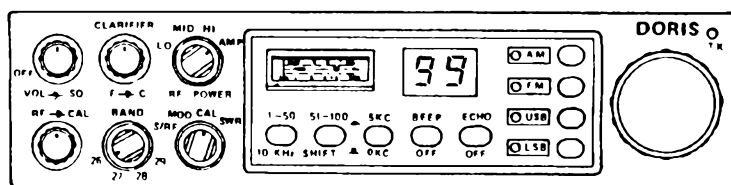


TABLE OF CONTENTS

| | PAGE |
|---|-------|
| ACKNOWLEDGEMENTS..... | 1 |
| INTRODUCTION..... | 2 |
| TABLE OF CONTENTS..... | 3-4 |
| SBE OWNERS - PARTS INFO..... | 5 |
| EARS..... | 5-7 |
| JACKSON Fo CHART..... | 8 |
| JACKSON SCHEMATIC..... | 9 |
| EXPORT ROUNDUP..... | 10-16 |
| EXPORTS - PARTICULARS..... | 17 |
| ED. NOTES..... | 18 |
| SUPERSTAR 95 SCHEMATIC..... | 19 |
| STALKER ST9-FDX SCHEMATIC..... | 20 |
| MARCO CB-444 SCHEMATIC..... | 21 |
| TRISTAR 727 SCHEMATIC..... | 22 |
| MAJOR M-120 SCHEMATIC..... | 23 |
| GRANT DX SCHEMATIC..... | 24 |
| PACIFIC 800 SSB SCHEMATIC..... | 25 |
| MIDLAND 2001 (EXPORT) SCHEMATIC..... | 26 |
| COBRA 148GTL-DX (EARLY) SCHEMATIC..... | 27 |
| COBRA 148GTL-DX (LATE) SCHEMATIC..... | 28 |
| EXPORT TUNE-UPS: PACIFIC 800 SSB; MIDLAND 2001-EXPORT... | 29 |
| EXPORT TUNE-UPS: MAJOR M-120; GRANT-DX..... | 29 |
| EXPORT TUNE-UPS: TRISTAR 727; MARKO CB-444; JACKSON..... | 30 |
| EXPORT TUNE-UPS: SUPERSTAR 95..... | 30 |
| CAUTION-DOUBLE BOARD EXPORTS; COBRA 150GTL OWNERS..... | 31 |
| DOUBLING-UP FOR CURRENT..... | 31 |
| CROSS-REFERENCE ON SAMS CB MANUALS..... | 32-33 |
| PACE 8041 - TUNE UP; LAKE 400 AM - MOD..... | 33 |
| PACE 8155 & PACE 2300-C - MOD. UPDATE..... | 33 |
| GRANT-DX UPPER Fo MOD; GRANT-DX !)KHz JUMP MOD..... | 34 |
| GRANT-DX UPPER MOD Fo CHART; GRANT-DX SPECIAL NOTE..... | 35 |
| GRANT-DX SLIDE; SLIDE REFERENCE SCHEMATIC & ADJUSTMENTS... | 35-36 |
| 148GTL-DX (LATE) PRE-AMP/WIDE BAND MOD..... | 37 |
| SERVICE TIPS - EXPORT, CYBERNET 02A PLL..... | 37 |
| GEORGE FREQUENCY CHART..... | 38-39 |
| COBRA 29GTL SLIDE-UPDATE; UNIDEN PC33 INFO. & TUNE-UP.. | 40 |
| UNIDEN PC-33 SCHEMATIC..... | 41 |
| XXXXXXXXXXXXX : NEW '84 TRC-412 & TRC-414; TRC-83... | 42 |
| TRC-206; Eversonic Mdl DK-222; KRACO KCB-1401..... | 42 |
| J.C. PENNY 981-6235(23 ch. PINTO); PACE 8025/CB166... | 42 |
| MIDLAND 13-867; PEARCE-SIMPSON JAGUAR 40B..... | 42 |
| LAFAYETTE MICRO 723; JOHNSON 132..... | 42 |
| CORRECTION FOR PARAGRAPH 3 - VOLUME 7, PAGE 46..... | 42 |
| ALPHA FREQUENCY CODE CHART - USE FOR MAJOR M-120/Marko.. | 43 |
| POLARITY PROTECTOR AND OVER-VOLTAGE PROTECTION..... | 44 |
| DUOFONE ET-350 (R/S 43-366..... | 45 |
| SUPERSTAR 95 - LOW Fo MOD..... | 45 |
| 148GTL-DX (LATE) ROTARY SWITCH MODIFICATION..... | 46 |
| TRC-210 CRONIC PROBLEM..... | 47 |
| HOW TO ORDER CRYSTALS..... | 47 |
| ALIGNMENT PROCEDURE: TRISTAR 747, COLT 320FM..... | 48-51 |
| ALIGNMENT PROCEDURE: HAM INT. CONCORDE II,..... | 48-51 |
| ALIGNMENT PROCEDURE: HYGAIN V (EXPORT)..... | 48-51 |

TABLE OF CONTENTS (CONT.)

| | PAGE |
|--|-------|
| TC-5080P (UPDATE) 5KHz DROP..... | 52 |
| YAESU FT-757 GX/SX (1.5 to 30MHz)..... | 52 |
| SECRET CB SUPER CLARIFIER DIODE & SUPER SLIDE UPDATE.... | 53 |
| BONUS - HAVING TROUBLE BROADBANDING ON UNITS?..... | 54 |
| ROYCE OWNERS PARTS INFO; REQUESTS | 54 |
| CORRECTION FOR 10KC FLIP-FLOP, VOLUME 18 PAGE 23..... | 54 |
| HINTS/KINKS/GOOPS | 55 |
| FREQUENCY CHART - MB8719 WITH 11.1125 CRYSTA..... | 56 |
| PACIFIC 800 SSB (UPDATE)..... | 57-58 |
| LAFAYETTE 2400FM; WARNING-ANTENNA's..... | 59 |
| MODULATION SWITCH - 858 SSB CHASSIS..... | 59 |
| TROUBLE SHOOTING TIP - 858 SSB CHASSIS..... | 60 |
| 148GTL-B HIGH/LOW MODIFICATION..... | 60 |
| BLEED-OVER FILTER (UPDATE)..... | 61 |
| CORRECTION ON 148GTL-DX LATE (UPDATE) VOLUME 18,PAGE 26. | 61 |
| SALVAGE OF POWER SUPPLIES..... | 62 |
| VIDEO TAPE..... | 63 |
| ROYCE 1-600 23 ch. TUNE-UP | 64 |
| G.E. 3-5806-40 ch. AM; WKS-100 40 ch. AM/SSB..... | 64 |
| GE 3-5806 SCHEMATIC..... | 65 |
| WKS-100 SCHEMATIC..... | 66 |
| 858 SSB CHASSIS - ADJACENT CHANNEL REJECTION..... | 67 |
| WKS-100 PERFORMANCE NOTE..... | 67 |
| GRANT-DX TROUBLE SPOT..... | 68 |
| ADD TO: SCB Volume 11, PAGE 10..... | 68 |
| UNIDEN PC-3; 148 GTL-DX; TEABERRY 'T'..... | 68 |
| FLYER..... | 69 |
| SECRET CB INDEX VOLUMES 1 THRU 18..... | 70-78 |
| CORRECTION INDEX..... | 79 |
| EXPERIMENT SHEET..... | 80 |

SBE OWNERS

This is a retraction of information in SECRET CB Volume 18, page 34 in regards to source of SBE parts. Please do not contact SBE, Inc. of Emeryville, California as they do not have parts and/or manuals. Per our conversation with them and a letter from them, they no longer have any parts and do not know of any source for original parts, in fact, they say there are none available.

Quote from their letter:

RE: Inquiries about CB radios and scanners

Due to overseas competition, SBE was reorganized under Chapter II proceedings in 1980. At that time the federal court excused SBE from further responsibility for CB radio and scanner products.

Consequently, SBE no longer maintains a parts or manual inventory for the following products: CB's, Scanners, Amature (HAM) Equipment, Model Del Mar 225 Marine Radio, Tempus 10, 25 Land Mobile Tranceivers.

End of quote.

SORRY!

- - - - EARS - - - -

There are many tricks and ways to improve or boost a receiver's gain or sensitivity. I'm not saying I know them all. No one person could, but we (all of us CB'ers and technicians) collectively could come up with most of them, I'm sure.

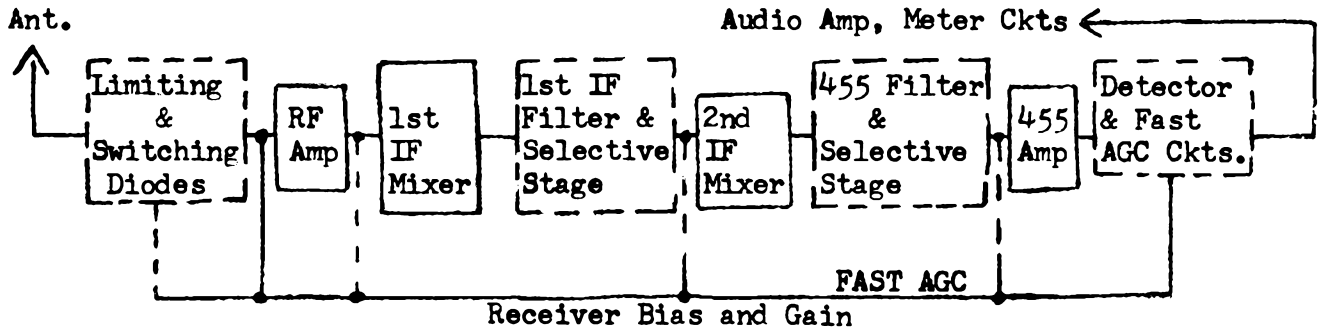
I have been doing some research and I've found volumes of print on how to improve the "mouth" on CB's but surprisingly I can not find one article on how to improve the "ears" of CB's. That is, excluding the normal tuning procedures.

I have talked with Doris at SECRET CB about this. She is willing, if enough interest is shown, to devote a volume of SECRET CB to this subject. It would be nice, from the standpoint of reference, to have all of this information in one volume.

So how about it fellow CB'ers and technicians? How about sharing your tricks with the rest of us? We can all benefit.

This thought from the Air Force Instructors' hand book: PERSON'S WHO SHARE THEIR KNOWLEDGE WITH OTHERS, EXTENDS THEMSELVES, EVEN BEYOND THEIR MORTAL EXISTANCE.

In order to improve the ears on any CB, we must first consider how the amplifier as a whole is designed. Also, so we might all use the same terminology when describing how to improve certain makes and models' ears, let us run through a basic modern C.B. receiver block diagram...



The open circuit gain of an amplifier is far above the gain used. You can prove this to yourself by adding all hfe for all of the transistors in an amplifier. An open circuit gain amplifier would be very noisy.

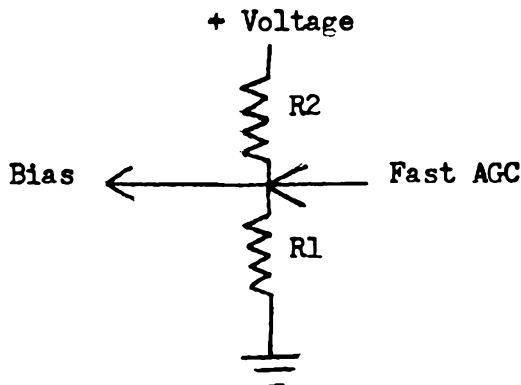
Each stage is set to a given operation gain both in DC and RF by the associated circuit components. D.C. bias is set by voltage level on the base. Self bias is established by resistance in the emitter circuit and/or current limiting resistors in the base. RF gain is established by by-pass capacitors in the emitter, other coupling capacitors and the load in the collector. These gains collectively are still well above the over all amplifiers required gain.

The most controlling and over all gain establishing signal is the close loop gain control. This consist of both a D.C.set or controllible bias, and fast AGC (Automatic Gain Control). They are generally mixed together. (Fast AGC decreasing the D.C. Bias level).

Through closed circuit gain an amplifier can be changed in linearity of gain, limited, clamped, clipped or manually controlled.

The later is the most common way of changing receiver sensitivity. If a unit does not have a pot for the purpose, there are two common easy ways to change the sensitivity.

1. Series R1 with another resistor of approximately the same R1 value.
2. Parallel R2 with another resistor of approximately 10 times R2 value.



When possible it is better to use the close circuit biasing of feedback to change the gain of a receiver. Sometimes, however, it is desirable to increase the gain on one particular stage of a receiver.

EARS (Cont.)

There are two common methods of doing this.

1. If it is using set biasing on the base simply increase it slightly.
2. If it is using controlled biasing but it has a resistor in the emitter for self biasing parallel that resistor with another of approximately the same value.

Other ways are changing the transistor to one with high (hfe) gain, adding capacitors, or changing collector loads.

Now a couple of CAUTIONS.

1. Generally it is not desirable to change biasing on a FET. They are low gain stages to start with and they are basically used for mixing or load isolation. There's not much to be gained in such a stage.
2. Generally it is not desirable to increase the gain of a tandem amplifier. (These are often found in the receiver as 455 amplifiers.) Most times they are designed to operate just below run-away state. If you should have a receiver that each time it receives a strong signal the needle goes to the upper limit and stays there, the tandem amp will be the culprit. The most common problem: Break down of the tantalum capacitor.

* * * * *

Now how about it technicians and CB enthusiasts? Don't you think we can use at least one volume devoted to the receiver? To make it a success we need your input...

* * * * *

Give the brand and models that you use special tricks on. Give the number on the components and detail the change. Most times all units listed in the same block on the CARD-KIT A & B kit can be included as a group. I will start it off as a sample: (Being first I get to pick an easy most used trick.)

- Cobra 21, 25LTD/GTL; President AR/AX-44, 711, Andrew J.; Craig L-104.
To increase the receiver gain after installing a 'B' Kit by CARD-KIT modifications:
1. Use the 4.7K resistor that was removed from R-58.
 2. Lift the leg end of R-1.
 3. Insert one end of the 4.7K in the place where R1's leg was soldered.
 4. Solder the two ends together.

This will bring the receiver sensitivity back to approximately the same level as original. If more gain is desired.

5. Parallel C7, C8, and C11; on the printed circuit side, with another 0.01mf capacitor. This will give you another db or two.

If your customer likes the quietness but wants a strong signal on units that are close, here is another easy, quick trick.

6. Instead of using the 4.7K resistor removed from R-58, use a 2.2K and do steps 1-4, omit 5.
7. Raise the cathode of D4 in the detector and fast AGC circuit off ground.
8. Use a 1N914 or 1N4148 (any similar fast switching diode).
9. Solder the 1N914's cathode where D4 was.
10. Solder the anode of the 1N914 and the cathode of D4 together. This changes the AGC voltage's linearity.

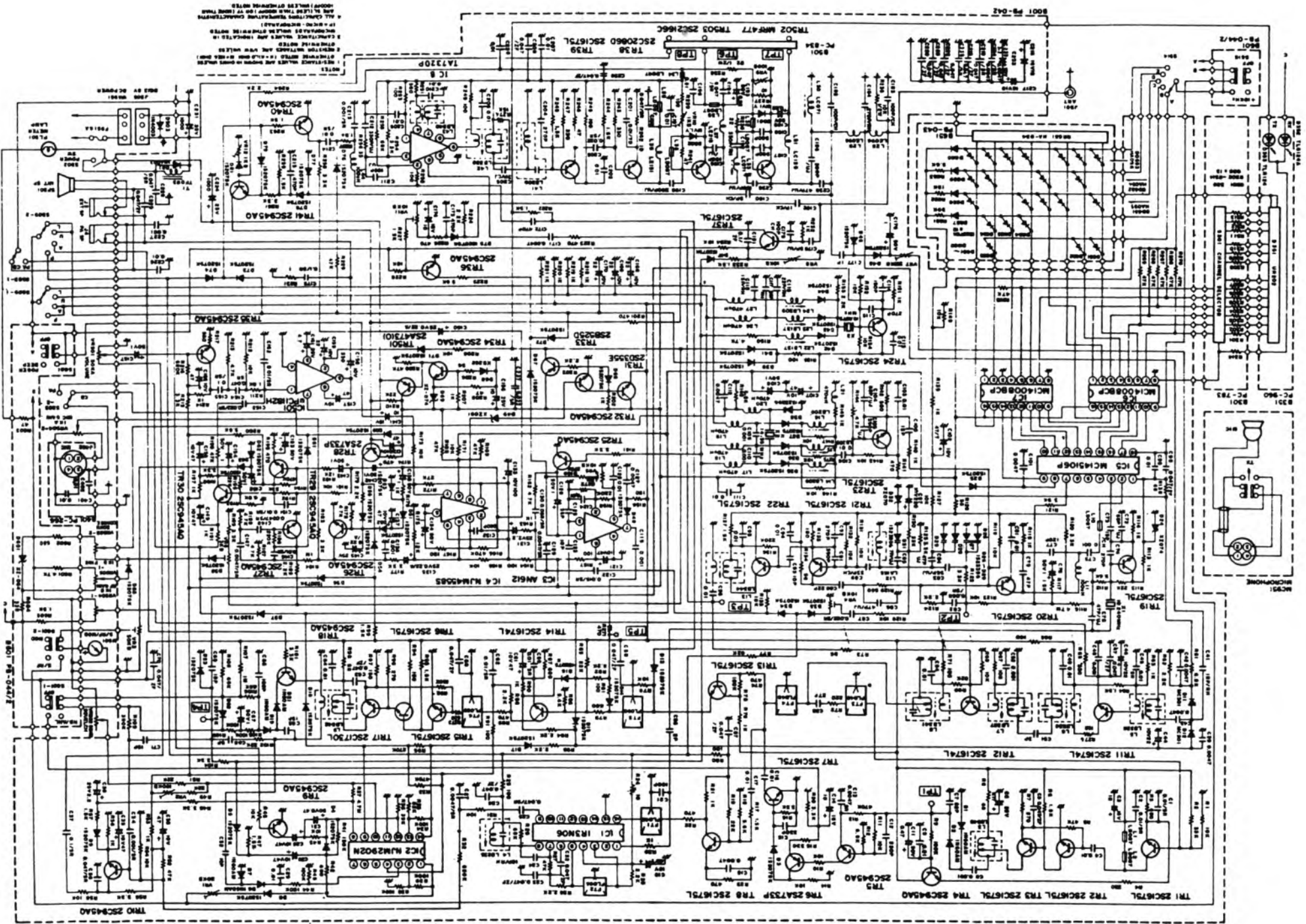
WELL, HOW ABOUT IT ?? - WANT SOME INPUT ON THIS BEFORE VOLUME 20....

JACKSON Fo CHART

Some Owner's Manual didn't have this, - Permission to copy.....

| ANT FREQUENCY (MHz) | | | | | | | | | | |
|---------------------|-------------|------------|-------------|------------|-------------|------------|-------------|------------|-------------|------------|
| | A BAND | | B BAND | | C BAND | | D BAND | | E BAND | |
| | Nor- mal | +10 kHz | Nor- mal | +10 kHz | Nor- mal | +10 kHz | Nor- mal | +10 kHz | Nor- mal | +10 kHz |
| 1 | 26.065 | 26.075 | 26.515 | 26.525 | 26.965 | 26.975 | 27.415 | 27.425 | 27.865 | 27.875 |
| 2 | 26.075 | 26.085 | 26.525 | 26.535 | 26.975 | 26.985 | 27.425 | 27.435 | 27.875 | 27.885 |
| 3 | 26.085 | 26.095 | 26.535 | 26.545 | 26.985 | 26.995 | 27.435 | 27.445 | 27.885 | 27.895 |
| | | (3A) | | (3A) | | (3A) | | (3A) | | (3A) |
| 4 | 26.105 | 26.115 | 26.555 | 26.565 | 27.005 | 27.015 | 27.455 | 27.465 | 27.905 | 27.915 |
| 5 | 26.115 | 26.125 | 26.565 | 26.575 | 27.015 | 27.025 | 27.465 | 27.475 | 27.915 | 27.925 |
| 6 | 26.125 | 26.135 | 26.575 | 26.585 | 27.025 | 27.035 | 27.475 | 27.485 | 27.925 | 27.935 |
| 7 | 26.135 | 26.145 | 26.585 | 26.595 | 27.035 | 27.045 | 27.485 | 27.495 | 27.935 | 27.945 |
| | | (7A) | | (7A) | | (7A) | | (7A) | | (7A) |
| 8 | 26.155 | 26.165 | 26.605 | 26.615 | 27.055 | 27.065 | 27.505 | 27.515 | 27.955 | 27.965 |
| 9 | 26.165 | 26.175 | 26.615 | 26.625 | 27.065 | 27.075 | 27.515 | 27.525 | 27.965 | 27.975 |
| 10 | 26.175 | 26.185 | 26.625 | 26.635 | 27.075 | 27.085 | 27.525 | 27.535 | 27.975 | 27.985 |
| 11 | 26.185 | 26.195 | 26.635 | 26.645 | 27.085 | 27.095 | 27.535 | 27.545 | 27.985 | 27.995 |
| | | (11A) | | (11A) | | (11A) | | (11A) | | (11A) |
| 12 | 26.205 | 26.215 | 26.655 | 26.665 | 27.105 | 27.115 | 27.555 | 27.565 | 28.005 | 28.015 |
| 13 | 26.215 | 26.225 | 26.665 | 26.675 | 27.115 | 27.125 | 27.565 | 27.575 | 28.015 | 28.025 |
| 14 | 26.225 | 26.235 | 26.675 | 26.685 | 27.125 | 27.135 | 27.575 | 27.585 | 28.025 | 28.035 |
| 15 | 26.235 | 26.245 | 26.685 | 26.695 | 27.135 | 27.145 | 27.585 | 27.595 | 28.035 | 28.045 |
| | | (15A) | | (15A) | | (15A) | | (15A) | | (15A) |
| 16 | 26.255 | 26.265 | 26.705 | 26.715 | 27.155 | 27.165 | 27.605 | 27.615 | 28.055 | 28.065 |
| 17 | 26.265 | 26.275 | 26.715 | 26.725 | 27.165 | 27.175 | 27.615 | 27.625 | 28.065 | 28.075 |
| 18 | 26.275 | 26.285 | 26.725 | 26.735 | 27.175 | 27.185 | 27.625 | 27.635 | 28.075 | 28.085 |
| 19 | 26.285 | 26.295 | 26.735 | 26.745 | 27.185 | 27.195 | 27.635 | 27.645 | 28.085 | 28.095 |
| | | (19A) | | (19A) | | (19A) | | (19A) | | (19A) |
| 20 | 26.305 | 26.315 | 26.755 | 26.755 | 27.205 | 27.215 | 27.655 | 26.665 | 28.105 | 28.115 |
| 21 | 26.315 | 26.325 | 26.765 | 26.775 | 27.215 | 27.225 | 27.665 | 27.675 | 28.115 | 28.125 |
| 22 | 26.325 | 26.335 | 26.775 | 26.785 | 27.225 | 27.235 | 27.675 | 27.685 | 28.125 | 28.135 |
| 23 | 26.355 | 26.365 | 26.805 | 26.815 | 27.255 | 27.265 | 27.705 | 27.715 | 28.155 | 28.165 |
| 24 | 26.335 | 26.345 | 26.785 | 26.795 | 27.235 | 27.245 | 27.685 | 27.695 | 28.135 | 28.145 |
| 25 | 26.345 | 26.355 | 26.795 | 26.805 | 27.245 | 27.255 | 27.695 | 27.705 | 28.145 | 28.155 |
| 26 | 26.365 | 26.375 | 26.815 | 26.825 | 27.265 | 27.275 | 27.715 | 27.725 | 28.165 | 18.175 |
| 27 | 26.375 | 26.385 | 26.825 | 26.835 | 27.275 | 27.285 | 27.725 | 27.735 | 28.175 | 28.185 |
| 28 | 26.385 | 26.395 | 26.835 | 26.845 | 27.285 | 27.295 | 27.735 | 27.745 | 28.185 | 28.195 |
| 29 | 26.395 | 26.405 | 26.845 | 26.855 | 27.295 | 27.305 | 27.745 | 27.755 | 28.195 | 28.205 |
| 30 | 26.405 | 26.415 | 26.855 | 26.865 | 27.305 | 27.315 | 27.755 | 27.765 | 28.205 | 28.215 |
| 31 | 26.415 | 26.425 | 26.865 | 26.875 | 27.315 | 27.325 | 27.765 | 27.775 | 28.215 | 28.225 |
| 32 | 26.425 | 26.435 | 26.875 | 26.885 | 27.325 | 27.335 | 27.775 | 27.785 | 28.225 | 28.235 |
| 33 | 26.435 | 26.445 | 26.885 | 26.895 | 27.335 | 27.345 | 27.785 | 27.795 | 28.235 | 28.245 |
| 34 | 26.445 | 26.455 | 26.895 | 26.905 | 27.345 | 27.355 | 27.795 | 27.805 | 28.245 | 28.255 |
| 35 | 26.455 | 26.465 | 26.905 | 26.915 | 27.355 | 27.365 | 27.805 | 27.815 | 28.255 | 28.265 |
| 36 | 26.465 | 26.475 | 26.915 | 26.925 | 27.365 | 27.375 | 27.815 | 27.825 | 28.265 | 28.275 |
| 37 | 26.475 | 26.485 | 26.925 | 26.935 | 27.375 | 27.385 | 27.825 | 27.835 | 28.275 | 28.285 |
| 38 | 26.485 | 26.495 | 26.935 | 26.945 | 27.385 | 27.395 | 27.835 | 27.845 | 28.285 | 28.295 |
| 39 | 26.495 | 26.505 | 26.945 | 26.955 | 27.395 | 27.405 | 27.845 | 27.855 | 28.295 | 28.305 |
| 40 | 26.505 | 26.515 | 26.955 | 26.965 | 27.405 | 27.415 | 27.855 | 27.865 | 28.305 | 28.315 |

"JACKSON"



8001 PB-04Z

EXPORT ROUNDUP

THESE PAGES WILL BE UPDATED EVERY ISSUE - TO LET YOU KNOW WHAT IS REALLY OUT..

If you have ANY information (OWNER'S MANUALS, SCHEMATICS, FACTORY SERVICE MANUALS, FACTORY ALIGNMENTS) please send to Doris...ORIGINALS! Copies are no good, 80% of the time. Originals will be returned as soon as copied; have excellent facilities for doing this; and can then utilize the material. (I sent Doris the 148GTL-DX Early/Late versions; Factory Service Manual-corrected; in April '83 and they were returned within a week). This is the only way to compile information on these Export units, as most U.S. companies will not co-operate.

| UNIT | LINE-UP PRINTED | SCHEMATIC PRINTED | OWNER'S MAN. ON FILE..... | VOLUME INDEXED |
|--|--------------------|----------------------|---------------------------------------|-------------------|
| Cobra 148GTL-DX (Early) 120 Ch. AM/FM/SSB/CW 26.515-27.855MHz, 8719-PLL | V-16 | V-19 | | X |
| Cobra 148GTL-DX (Late) 120 Ch. AM/FM/SSB/CW 26.515-27.855MHz, MC145106P-PLL | V-17 | V-19 | | X |
| Palomar 2400, 240 Ch. AM/FM/SSB/CW 26.065-28.755MHz, 02A-PLL | V-18 | V-17 | X | X |
| Commtron XII, 120 Ch. AM/FM 26.515-27.855MHz, LC7120-PLL | V-18 | V-17 | X | X |
| Colt 510, 120 Ch. AM/FM 26.515-27.855MHz, LC7120-PLL | V-18 | V-17 | X | X |
| Lafayette 1800, 200 Ch. AM/FM/SSB/CW 25.965-28.005MHz, 02A-PLL | | | X | X |
| Super Star 2000, 200 Ch. AM/FM/SSB/CW 26.065-28.305MHz, 02A-PLL (See note #1) | | | X | X |
| Super Star 2000, 200 Ch. AM/FM/SSB/CW 25.965-28.005MHz, 02A-PLL (See note #1) | | | X | X |
| Cobra 148GTL-B, 60 Ch. AM/SSB (120 ch. ?) 26.315-27.605MHz, 02A-PLL (See note #2) | | V-17 | X | X |
| Tristar 747 | V-19 | V-15 | | X |
| Cobra 150GTL | | | | X |
| Teaberry Stalker IX (FM) | | | | X |
| Starfire DX | | | | |
| Colt 2400, 240 Ch. AM/FM/SSB/CW 26.065-28.755MHz, 02A-PLL | | | - - - Identical to Palomar 2400 - - - | X |
| Colt 1600DX | | | | |
| Colt 2000DX | | | | |
| Colt 320FM | | See 747 Tristar | | |

NOTE #1: 2 different versions exist!

#2: Called 60 ch., Fo sheet shows 120 chnls. (have been noted coming in either configuration-120 Ch. unit has mod on Tone Sw.)

EXPORT ROUNDUP (Cont.)

| UNIT | LINE-UP PRINTED | SCHEMATIC PRINTED | OWNER'S MAN. ON FILE..... | VOLUME INDEXED |
|--|--------------------|----------------------|---------------------------------------|-------------------|
| Ham International Concorde II | See 747 | | | |
| | Tristar | | | |
| Rygain V (Export) | See 747 | | | |
| | Tristar | | | |
| NATO 2000, 200 Ch. AM/FM/SSB/CW; and U.K.-FM 26.065-27.855MHz (FM-27.60125-27.99125MHz) | | | X | X |
| Thunder 2000, 240 Ch. AM/FM/SSB/CW 26.065-28.755MHz, 02A-PLL | | | - - - Identical to Palomar 2400 - - - | |
| Intec 1200FM | | | | |
| Pacific SSB 800, 80 Ch. AM/SSB 26.965-27.855MHz, MC145106-PLL | | V-19 | X | X |
| Rygain 8795 | | | | |
| Ham International Concorde | | | | |
| Jumbo | | | | |
| Lafayette 1200FM | | | | |
| Multimode II | | | | |
| Major 360 | | | | |
| Major M588 | | | | |
| Teaberry Stalker XX (FM), 80 Ch. AM/SSB/FM 26.965-27.855MHz, (MB8719-PLL) | | | | X |
| Lafayette 2400, 240 Ch. AM/FM/SSB/CW 26.065-28.755MHz, 02A-PLL | | | - - - Identical to Palomar 2400 - - - | X |
| Super Star 360, 120 Ch. AM/SSB/CW 26.965-27.405MHz; 28.000-28.940MHz (MB8719-PLL) | | V-18 | X | X |
| Super Star 360FM, 120 Ch. AM/FM/SSB/CW 26.965-27.885MHz; 28.500-28.940MHz (MB8719-PLL) | | | | X |
| Academy 501 | | | | |
| Academy 502 | | | | |
| Amstrad CB900 | | | | |
| Amstrad CB901 | | | | |
| Audioline 340 | | | | |
| Audioline 341 | | | | |

EXPORT ROUNDUP (Cont.)

| UNIT | LINE-UP PRINTED | SCHEMATIC PRINTED | OWNER'S MAN. ON FILE | VOLUME INDEXED |
|-------------------------|--------------------|----------------------|-------------------------|-------------------|
| Audieline 345 | | | | |
| Barracuda GT868 | | | | |
| Barracuda HP940 | | | | |
| Binatone 5-Star | | | | |
| Colt 295 | | | | |
| Cobra 21XFM | | | | |
| Colt 320DX | | | | |
| Colt Excalibur (EXPORT) | | | | |
| Commtron CB40F | | | | |
| Cybernet Beta 1000 | | | | |
| Cybernet Beta 2000 | | | | |
| Cybernet Beta 3000 | | | | |
| Elftone ELCB6000 | | | | |
| Falcon 2000 | | | | |
| Fidelity CE1000M | | | | |
| Fidelity CB300M | | | | |
| Fidelity CE2000M | | | | |
| Fidelity 2001FM | | | | |
| Great GT858B | | | | |
| Great GT868B | | | | |
| Harvard 400M | | | | |
| Harvard 402MPA | | | | |

EXPORT ROUNDUP (Cont.)

| UNIT | LINE-UP PRINTED | SCHEMATIC PRINTED | OWNER'S MAN. ON FILE | VOLUME INDEXED |
|---|--------------------|----------------------|-------------------------|-------------------|
| Harvard 420M | | | | |
| Harvard H401 | | | | |
| Harrier CBX | | | | |
| Harrier CBHQ | | | | |
| Halycom Cheetah | | | | |
| Halycom Condor | | | | |
| Ham International 8040 | | | | |
| Hygain 80 | | | | |
| Hygain 2795 | | | | |
| Hygain 2795DX | | | | |
| Johnson XK2000 | | | | |
| Lake 850 | | | | |
| Lake 950 | | | | |
| Lafayette HB870AFS | | | | |
| Maxcom 4E | | | | |
| Maxcom 6E | | | | |
| Maxcom 16E | | | | |
| Maxcom 20E | | | | |
| Maxcom 21E | | | | |
| Midland 2001T | | | | |
| Midland 2001 (Export), 120 Ch. AM-Only (Line-up identical to Colt 510, less FM ckts.) 26.515-27.855MHz, IC7120-PLL | V-18 | V-19 | X | X |
| Midland 7001(Export) | | | | |
| Midland 76-200 | | | | |

EXPORT ROUNDUP (Cont.)

| UNIT | LINE-UP PRINTED | SCHEMATIC PRINTED | OWNER'S MAN. ON FILE | VOLUME INDEXED |
|----------------------|--------------------|----------------------|-------------------------|-------------------|
| Midland 3001 | | | | |
| Midland 4001 | | | | |
| Mustang CB1000 | | | | |
| Mustang CB2000 | | | | |
| Mustang CB3001 | | | | |
| Nato 40FM | | | | |
| Oscar 1 | | | | |
| Petrusse Pacific 160 | | | | |
| Radiomobile 201 | | | | |
| Radiomobile 202 | | | | |
| Rotel RVC220 | | | | |
| Rotel RVC230 | | | | |
| Rotel RVC240 | | | | |
| Sapphire 2000X | | | | |
| Sirtel Searcher | | | | |
| Speedway | | | | |
| Stalker ST-9FDX | | | | |
| Steepletone SCB1FM | | | | |
| Tandy TRC-2000 | | | | |
| Tandy TRC-2001 | | | | |
| Tandy TRC-2002 | | | | |
| Tristar 777 | | | | |
| Tristar 797, 200 Ch. | | | | |

V-19

EXPORT ROUNDUP (Cont.)

| UNIT | LINE-UP PRINTED | SCHEMATIC PRINTED | OWNER'S MAN. ON FILE | VOLUME INDEXED |
|---|--------------------|----------------------|-------------------------|-------------------|
| Transcom CBX2000 | | | | |
| Transcom CBX4000 | | | | |
| Transcom GBX4000 | | | | |
| Uniace 100 | | | | |
| Uniace 200 | | | | |
| York JCP861 | | | | |
| York JCP863 | | | | |
| Major M-120, 120 Ch. AM/FM 26.965-28.305MHz, 02AG-PLL | | V-19 | X | X |
| Grant-DX, 120 Ch. AM/FM/SSB 26.515-27.855MHz, MB8719-PLL | | V-19 | X | X |
| Commtron VIII | | | | |
| Colt 870 | | | | |
| DNT M40FM | | | | |
| DNT 2740FM | | | | |
| Fidelity CB1000FM | | | | |
| Formac 120 | | | | |
| Ham International Hercules FM | | | | |
| Ham International Puma | | | | |
| Ham International Viking | | | | |
| Hycom CB2000 | | | | |
| Hycom CB3000 | | | | |
| Hycom CB4000 | | | | |

EXPORT ROUNDUP (Cont.)

| <u>UNIT</u> | <u>LINE-UP PRINTED</u> | <u>SCHEMATIC PRINTED</u> | <u>OWNER'S MAN. ON FILE</u> | <u>VOLUME INDEXED</u> |
|--|----------------------------|------------------------------|---------------------------------|---------------------------|
| Jaws II | | | | |
| Major M540 | | | | |
| Major 3000 | | | | |
| Midland 150M (Export) | | | | |
| Midland 77-FM-005 | | | | |
| Mongoose 2000 | | | | |
| Multitech MS211 | | | | |
| Pearce-Simpson Super Lynx 18 | | | | |
| SAM 2000 | | | | |
| Shogun CB | | | | |
| Sommerkamp TS310DX | | | | |
| Stag 357 | | | | |
| Vice-President FRANK | | | | |
| Vice-President ROY | | | | |
| WKS 1001 | | | | |
| Marko CB-444, 120 Ch. AM/FM 26.965-28.305MHz, 02A-PLL | | V-19 | X | X |
| Tristar 727, 120 Ch. AM/FM 26.965-28.305MHz, uPD2810-PLL | | V-19 | X | X |
| Jackson, 226 Ch. AM/FM/SSB 26.065-28.315MHz, MC145106-PLL | | V-19 | X | X |
| Super Star 360FM, 120 Ch. AM/FM/SSB/CW 26.515-27.855MHz, MC145106-PLL (See note #1) - - - Identical to 148GTL-DX (Late) | | | | |
| Tristar 848, 240 Ch. | | | | |
| Super Star 95, 120 Ch. AM 26.515-27.855MHz, uPD2810C-PLL | | V-19 | X | X |

EXPORTS

MIDLAND 2001 (EXPORT), 120 channel-AM Only! Freq Range: 26.515-27.855MHz.
Power Specs - 5W, Schematic shows 3 different finals;
(2SC1306, 2SC2078, 2SC495) Change if 2SC495 in unit!
*See write-up this volume.

PACIFIC SSB 800, 80 Channel-AM/SSB; Freq Range: 26.965-27.855MHz.
Power Specs: 4W-AM, 12W-SSB.. El Cheapo Final AGAIN!
Shows some class with built-in SWR meter, then blows it
with RF Gain switch? PLL chip is one good thing - as
is MC145106, and modifiable without playing with Xtals.
2-bands are achieved by Xtal switching. Slide Mod in
Vol. 18... *See write-up this volume..

MAJOR M-120, 120 Channel-AM/FM; Freq Range: 26.965-28.305MHz.
'Dream Boat' - Basic old HyGain 02A 2-crystal AM Chassis!
Crystal switching for extra channels, 2SC1306 Final, and
is now relay switching. *See write-up this volume.

GRANT-DX, 120 Ch. AM/FM/SSB; Freq Range: 26.515-27.855MHz.
POWER is the word on this unit - 10W in both AM and FM; 20W +
in SSB. Roger Beep switch, NO SWR METER???, Finned Heat Sink
for RF Power Xstrs, and 'Slider' Kit furnished with instructions.
*See write-up this volume..

TRISTAR 727, 120 Channel-AM/FM; Freq Range: 26.965-28.305MHz.
Major feature on this particular unit is the 3-way RF Power
Switch. 'No Frills Unit' - just necessary controls.

MARKO CB-444, 120 Channel-AM/FM; Freq Range: 26.965-28.305MHz.
'Deluxe unit'; RF Gain, NB/ANL, CB/PA, and SWR Meter.
*See write-up this volume..

JACKSON, 226 Channel-AM/FM/SSB; Freq Range: 26.065-28.315MHz.
POWER SPECS: AM/FM-10W, SSB-21W. Roger Beep switch, NO SWR METER??
10KHz jump switch, Coarse/Fine 'Slide'. MRF477-Final, 2SC2166-Driver,
MC145106-PLL (2 useless switches on unit-3 if you count the PA.)
This is the unit that everyone has been waiting for, wouldn't be
surprised to see GONE by the time this volume comes out.

SUPERSTAR 360FM, 120 Channel-AM/FM/SSB/CW; Freq Range: 26.515-27.855MHz.
This particular unit is identical to the Cobra 148GTL-DX,
Late Version! Use all of that data for service/modification.
CAUTION: 2 versions of this unit exist; see Vol. 18, page
12; for specs on the other.

SUPERSTAR 95, 120 Channel-AM Only.; Freq Range: 26.515-27.855MHz.
Almost Identical to the Tristar 727 (No FM, and different Fo Rng.)
"read the manual carefully" - doesn't put out 15W as the front
indication says! *See write-up this volume..

"Export Roundup", was up to date (for all received information) as of
May 20, '84. If any left out, send the Owner's Manual.....

Ed. Notes:

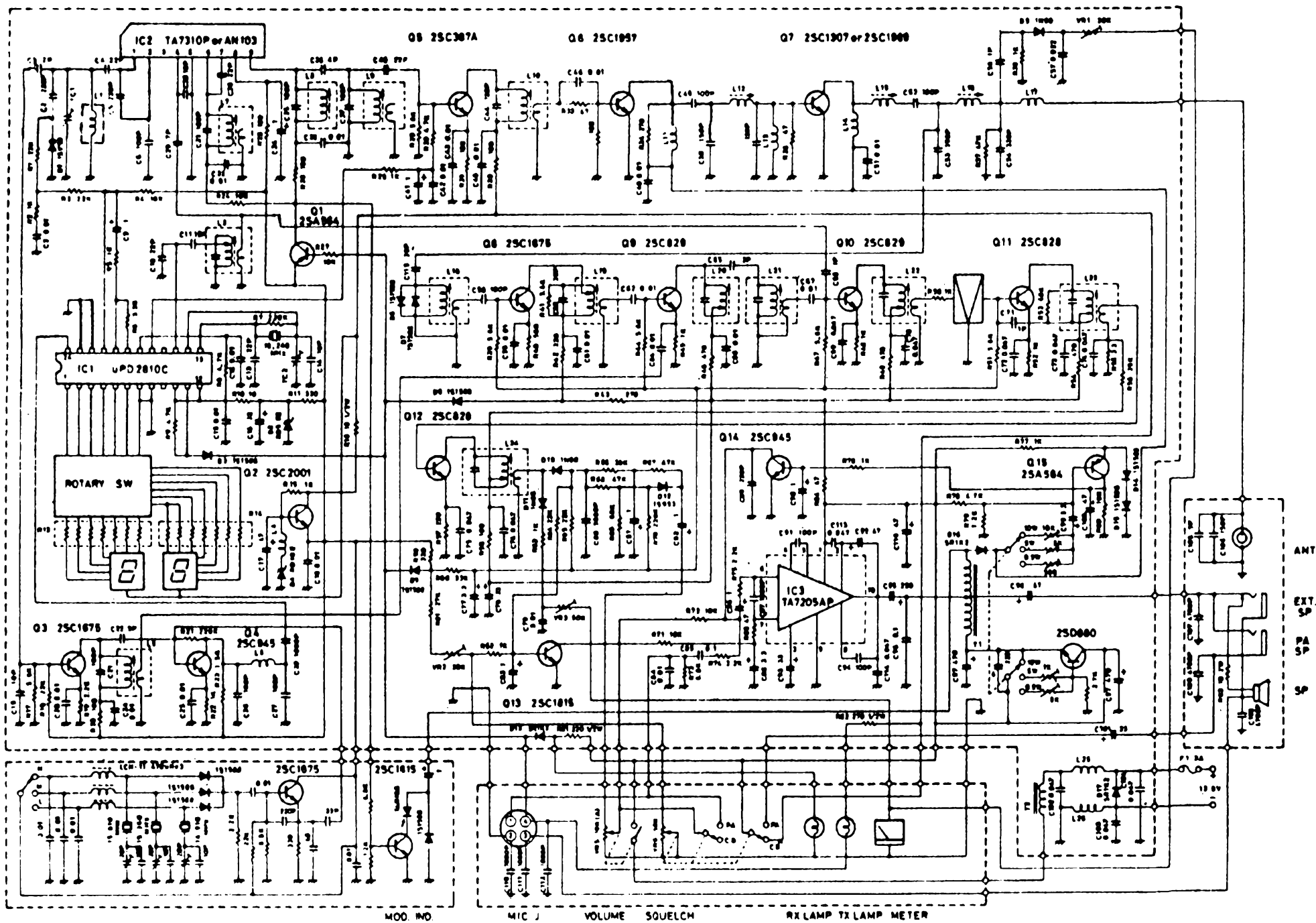
The EXPORT ROUNDUP will be cut back in Vol. 20, and only the NEW units not previously listed will be mentioned. - Unless a vast amount of information "materializes". (Remember that the Roundup is not indexed!) I am trying to work out an arrangement with some distributors for obtaining information. But they are slow about sending manuals, even though sent back the same day received.

Contributors - I utilize the information received on a first in, first used basis, most of the time. If more complete information is received from another person use it instead. By complete I mean: Manufacturer; Model-Name; PLL type; Frequency Range of operation; Mode of operation (AM - FM - SSB - CW - ?); Specification Sheet; and Schematic. Ideal information is 'Original Owner's Manual and Schematic. (I am sitting on an 'Export' line-up procedure now, because the Transmit portion wasn't sent in?). Also have gotten away from repeating ('new') modifications on previously published information, when all they amount to is: re-write or using a different type of switch arrangement, but is still basically the same! It must be new - the only type of repeat type of information will be on a breakthrough to accompany the original.

ALL - Problems, service information is published. As is any buys on discontinued items by R/S.--(The problem here is that by the time we get into print, stuff is hard to find - still say we needed that combination "Wanted-Sell-Trade" Newsletter...but? (Note: I tried it myself separately from Secret CB; and only went \$85 in the hole; with printing/ mailing costs!) Well, maybe someday it will come about...as parts for older units are getting hard to find. RE: Plastic front for 858 Grant is an example; Factory doesn't have!

Later, goin' Fishin' --- back in August.

SUPERSTAR 95



19

MOD. NO.

MIC

VOLUME SQUELCH

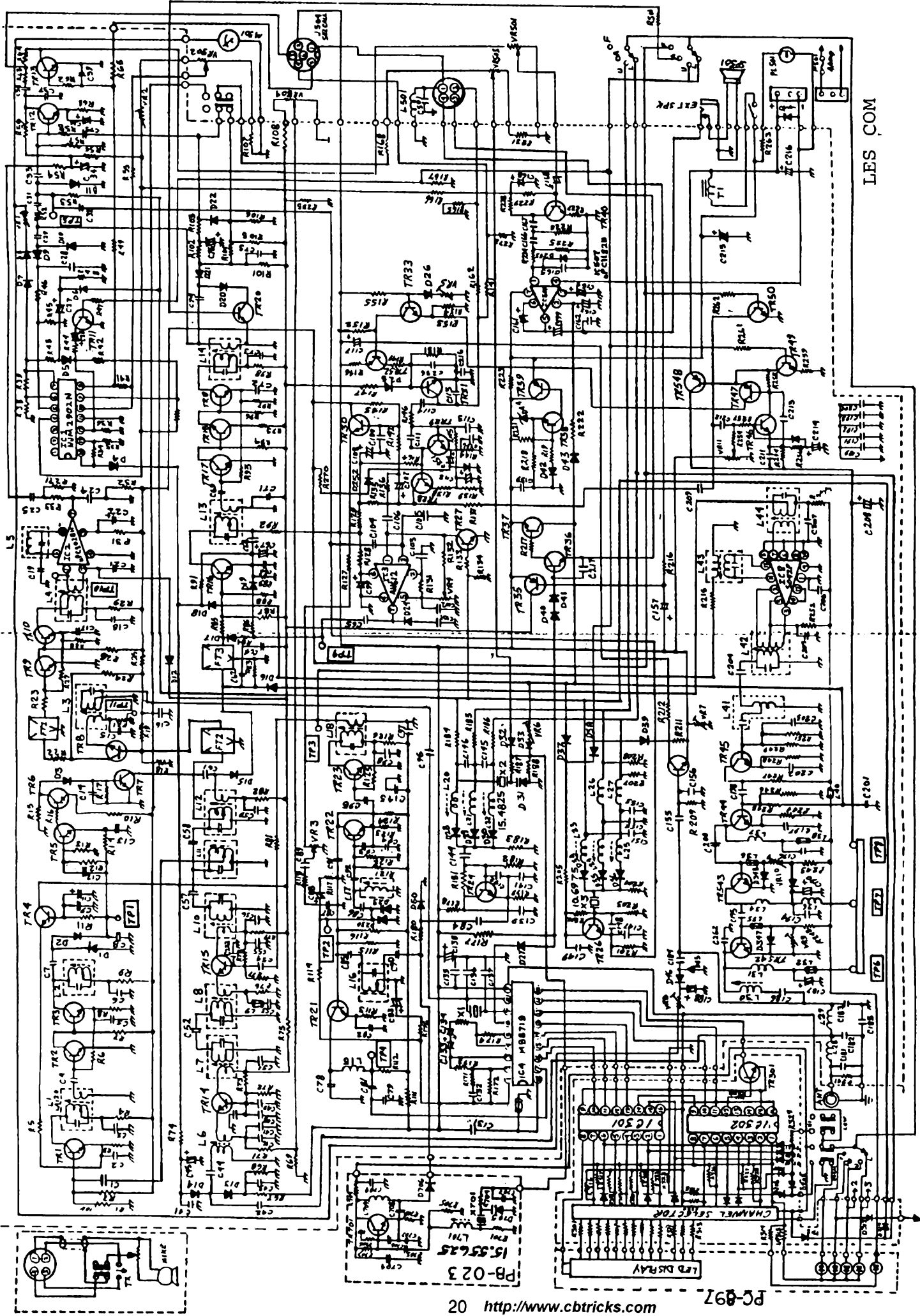
RX LAMP TX LAMP METER

ANT.
EXT. SP.
SP

STALKER IX ST9-FDX (TAPE VERSION)

PC893AC

4.6

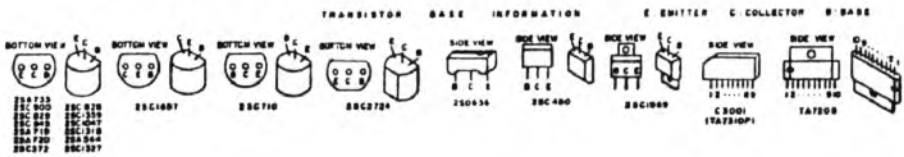
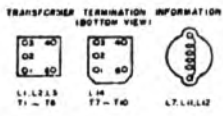
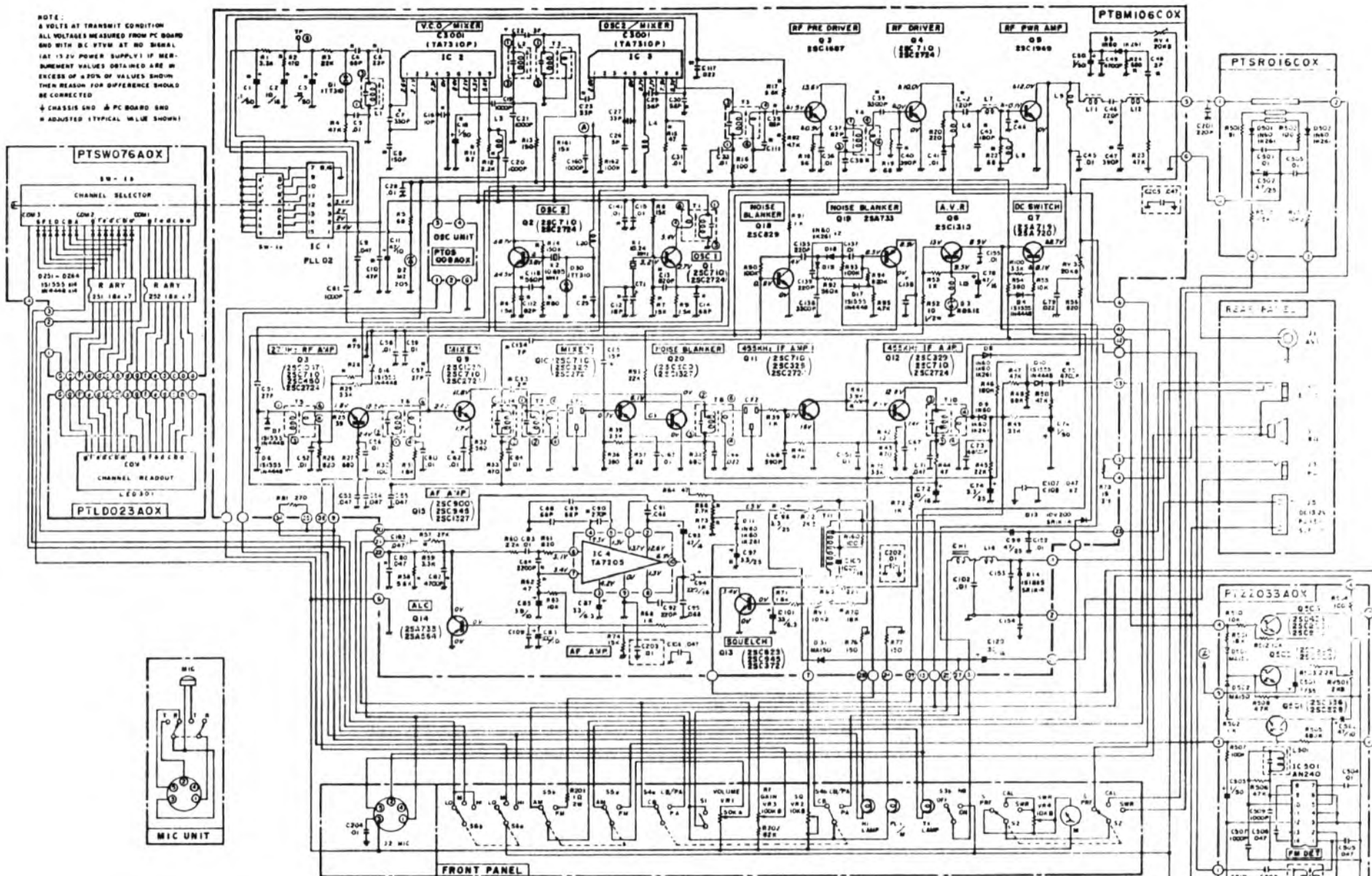


LES COM

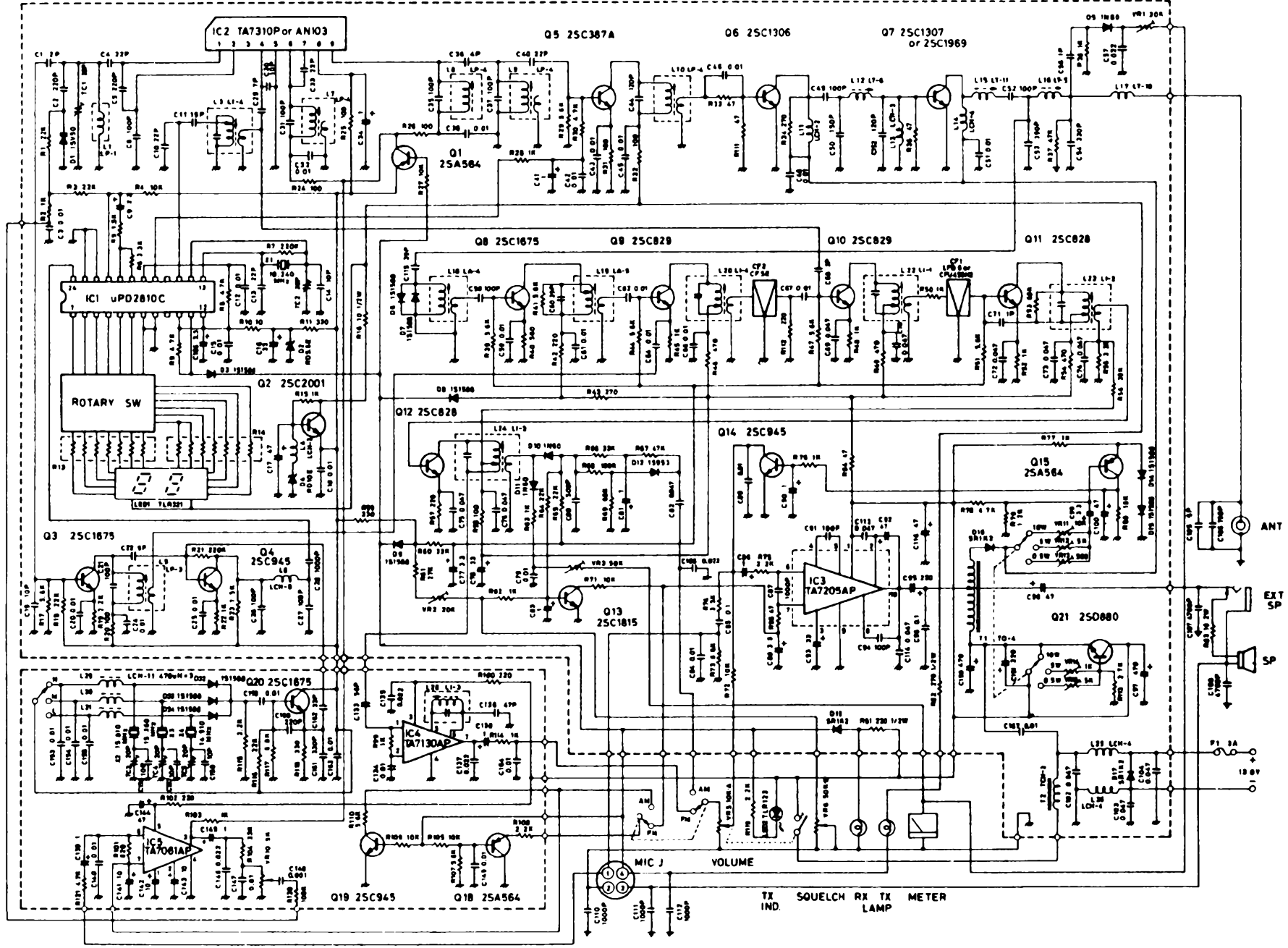
MARCO CB-444

Schematic

NOTE:
 1 VOLTS AT TRANSMIT CONDITION
 ALL VOLTAGES MEASURED FROM PC BOARD
 GND WITH DC VTM AT 90 SIGNAL
 (AT 1.2V POWER SUPPLY) IF MEASUREMENT
 VALUES OBTAINED ARE IN EXCESS OF
 A 10% OF VALUES SHOWN THEN REASON
 FOR DIFFERENCE SHOULD BE CORRECTED
 * CHASSIS GND & PC BOARD GND
 * ADJUSTED TYPICAL VALUE SHOWN

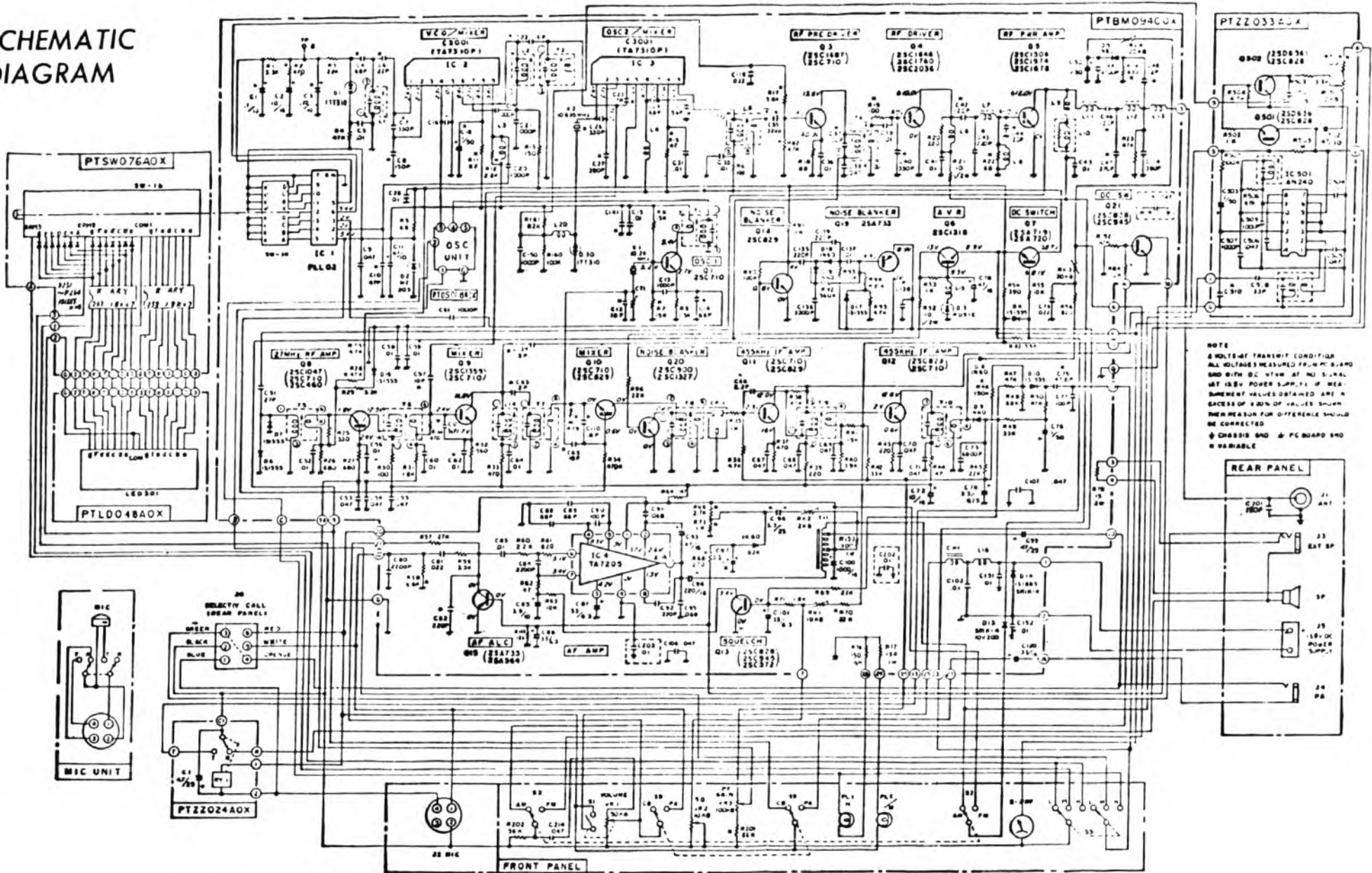


CIRCUIT DIAGRAM



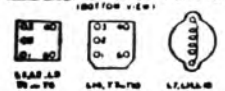
MAJOR M-120

SCHEMATIC DIAGRAM



NOTE
 * VOLTS-AT TRANSMIT CONDITION
 ALL VOLTAGES MEASURED FROM P.C. BOARD
 AND WITH DC VIEW BY MULTI-METER
 SET 15.5V POWER SUPPLY. IF MEASUREMENT
 VALUES OBTAINED ARE IN EXCESS OF
 ±20% OF VALUES SHOWN, THEN REASON FOR
 DIFFERENCE SHOULD BE CORRECTED
 * CHASSIS GND * P.C. BOARD GND
 * VARIABLE

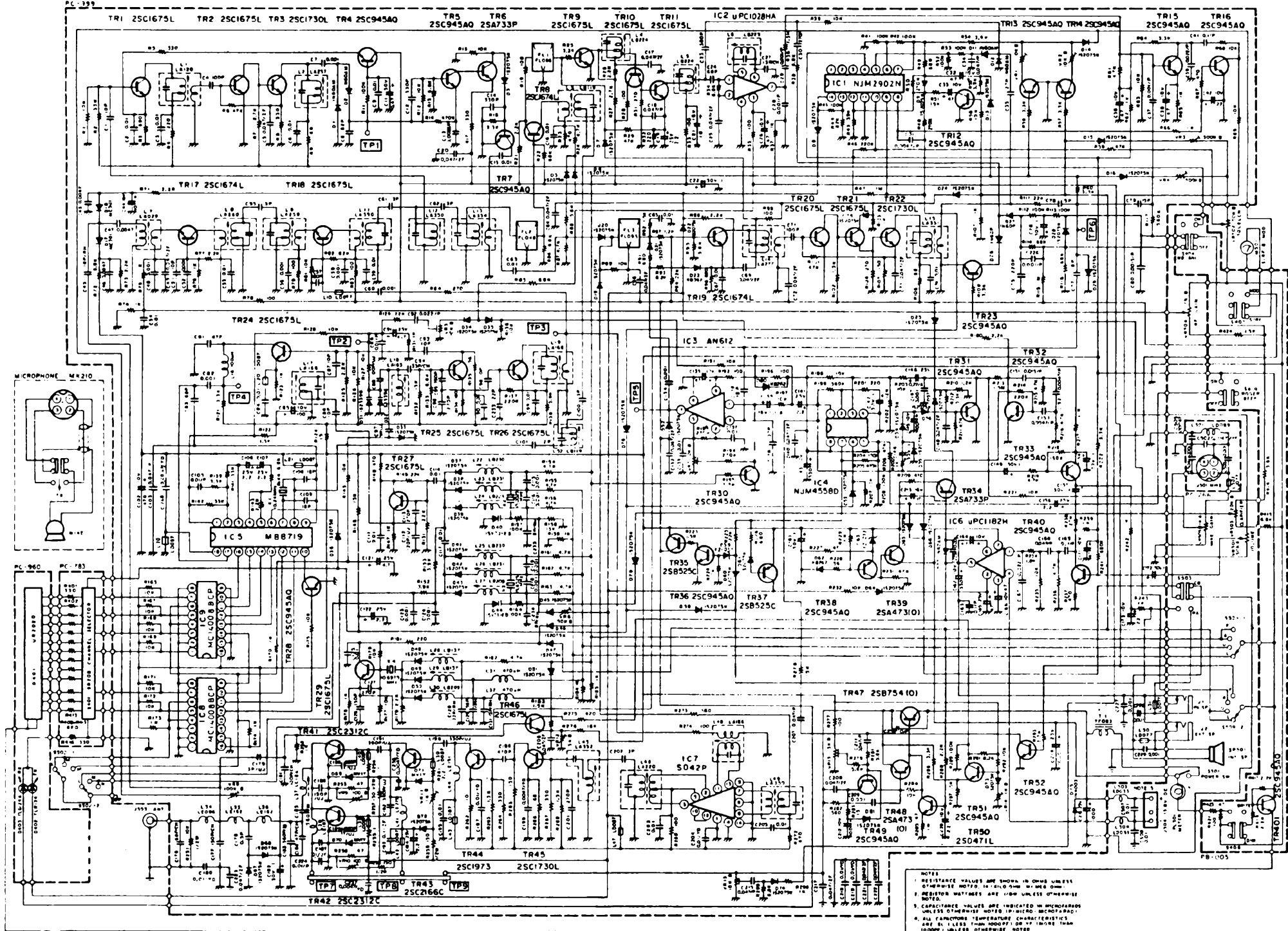
TRANSFORMER TERMINATION INFORMATION



TRANSISTOR BASE INFORMATION E EMITTER C COLLECTOR B BASE



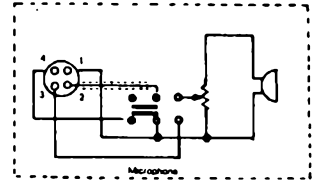
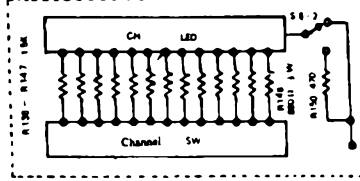
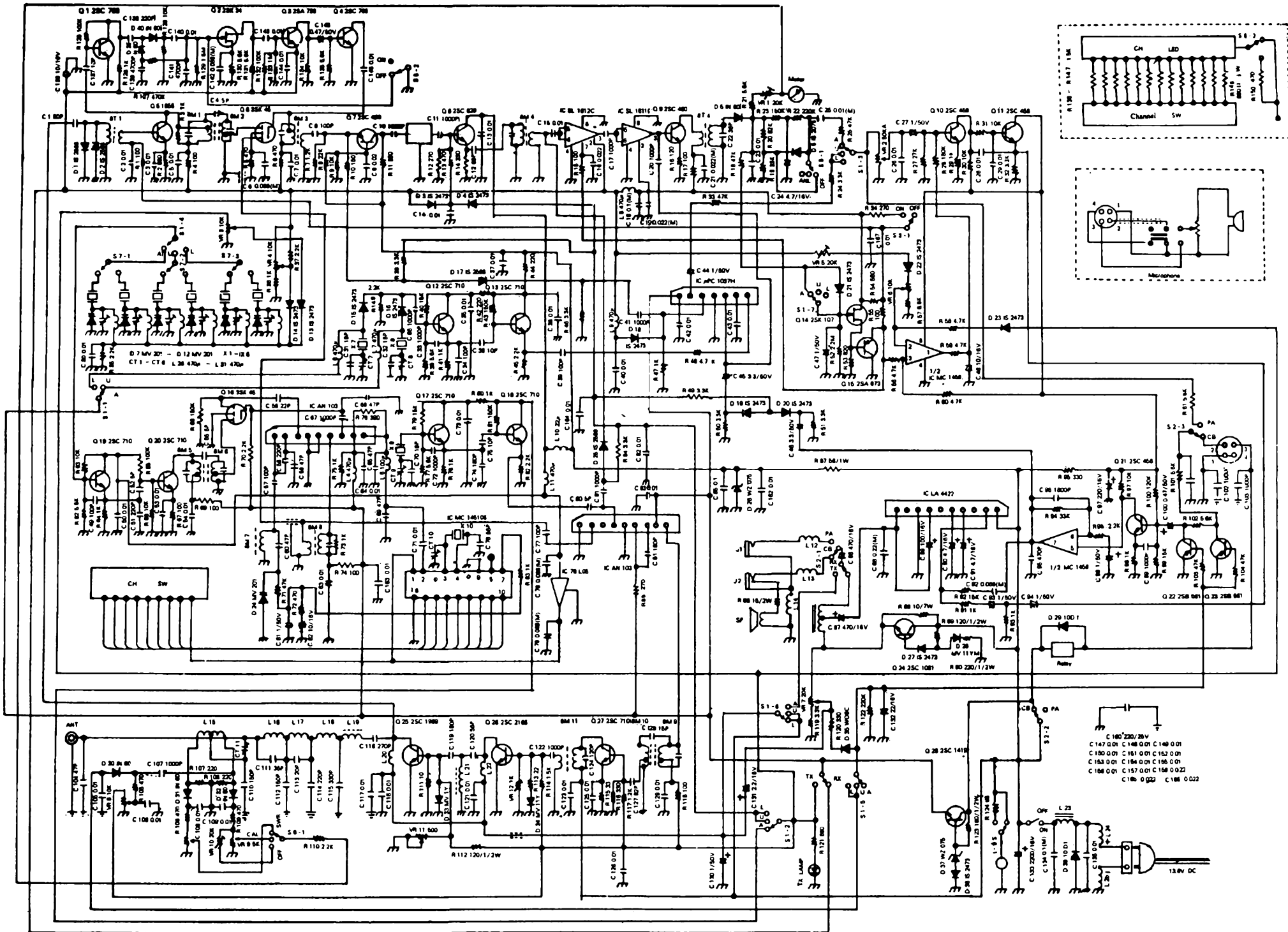
GRANT-DX



- NOTES:
- RESISTANCE VALUES ARE SHOWN IN OHMS UNLESS OTHERWISE NOTED IN PENCIL OR BY OTHER MEANS.
 - RESISTOR RATINGS ARE 1/2W UNLESS OTHERWISE NOTED.
 - CAPACITANCE VALUES ARE INDICATED IN MICROFARADS UNLESS OTHERWISE NOTED IN PENCIL OR OTHERWISE NOTED.
 - ALL CAPACITORS TEMPERATURE CHARACTERISTICS ARE 0.1 TIMES FROM 200PPM TO 1% MORE THAN 1000PPM UNLESS OTHERWISE NOTED.

SCHEMATIC DIAGRAM

PACIFIC 800 SSB



- C 140 220/25V
- C 145 0.01
- C 148 0.01
- C 149 0.01
- C 150 0.01
- C 151 0.01
- C 152 0.01
- C 153 0.01
- C 154 0.01
- C 155 0.01
- C 156 0.01
- C 157 0.01
- C 158 0.01
- C 159 0.01
- C 160 0.01
- C 161 0.01
- C 162 0.01
- C 163 0.01
- C 164 0.01
- C 165 0.01
- C 166 0.01
- C 167 0.01
- C 168 0.01
- C 169 0.01
- C 170 0.01
- C 171 0.01
- C 172 0.01
- C 173 0.01
- C 174 0.01
- C 175 0.01
- C 176 0.01
- C 177 0.01
- C 178 0.01
- C 179 0.01
- C 180 0.01
- C 181 0.01
- C 182 0.01
- C 183 0.01
- C 184 0.01
- C 185 0.01
- C 186 0.01
- C 187 0.01
- C 188 0.01
- C 189 0.01
- C 190 0.01
- C 191 0.01
- C 192 0.01
- C 193 0.01
- C 194 0.01
- C 195 0.01
- C 196 0.01
- C 197 0.01
- C 198 0.01
- C 199 0.01
- C 200 0.01

MIDLAND 2001 (EXPORT)

SAME AS 77-120 (EXPORT)

- Q101, Q102 KTC 1923(D) MPS 9426C
- Q103, Q104 25C 130(TM) MPS 9623
- Q105 MPS 9426 KTC 1923
- Q201, Q202, Q203 MPS 9634
- Q206 MPS 9448 KTC 2120
- Q207 MPS 9651 KTA 10K5
- Q301 MPS 9426 KTC 1923(A)
- Q302 25C 1957 25C 234 25C 4578
- Q403 25C 1306 25C 2078 25C 495
- Q404 MPS 9426
- Q204 MPS 9634(C)
- Q205 MPS 9426
- Q402 MPS 9626

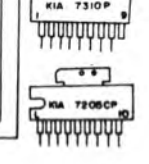
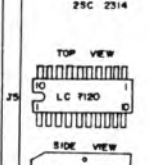
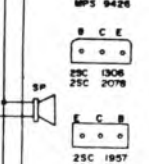
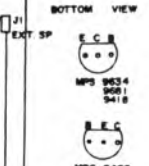
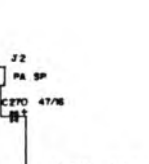
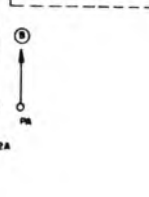
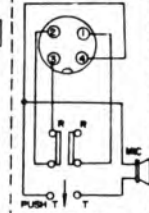
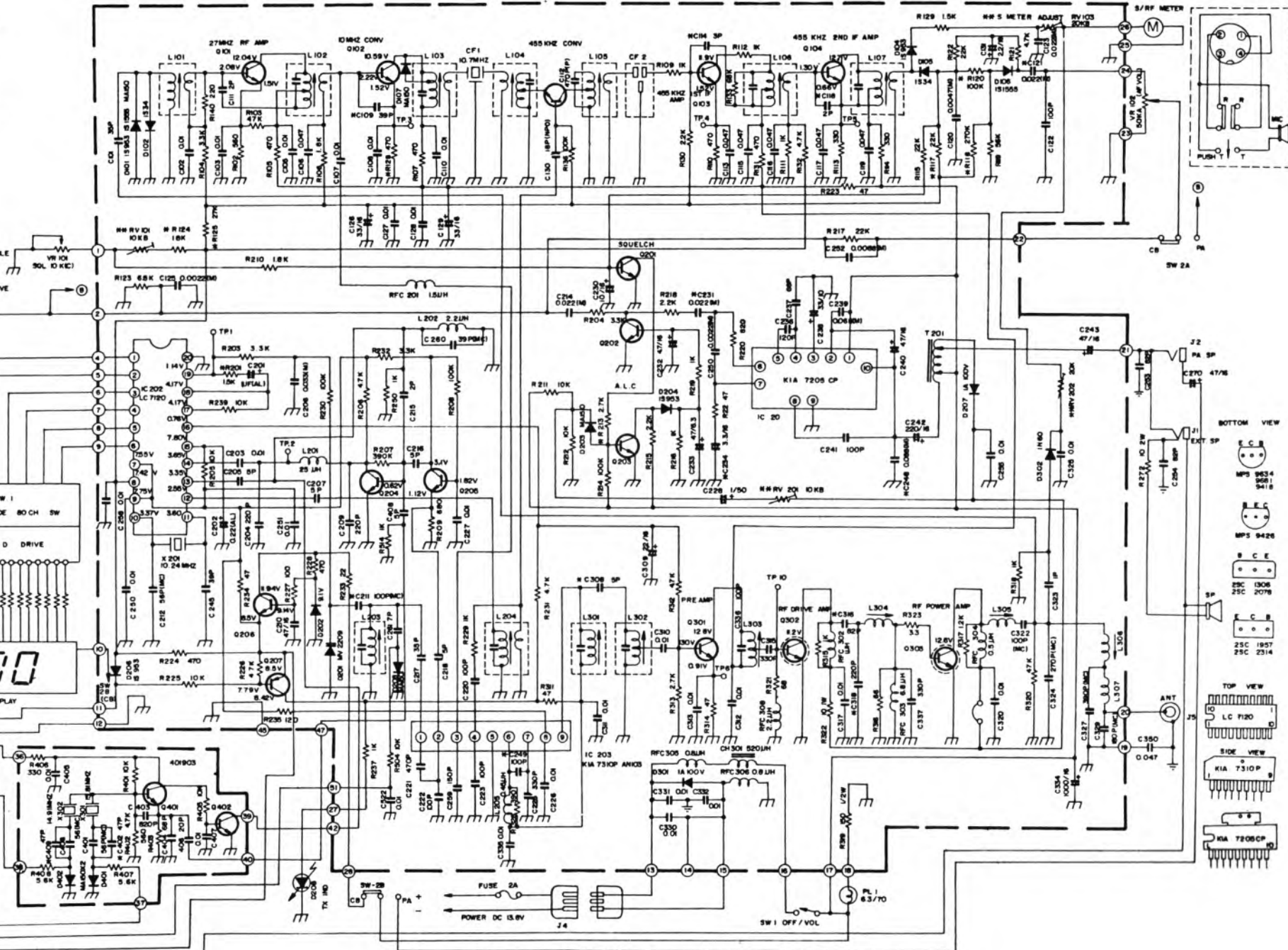
VR VARIABLE VR CONTROL NOT ACCESSIBLE FROM SIDE
CHASSIS GND BATTERY NEGATIVE

C301, C302, C370 0.0X5
C345 C346
C340 47P
C304, C305 0.047X2

SW-8
+80
+40
-40
FOR LED DRIVE
LED DISPLAY
LED LAMP-43

D507
LED LAMP-43
C306 100P

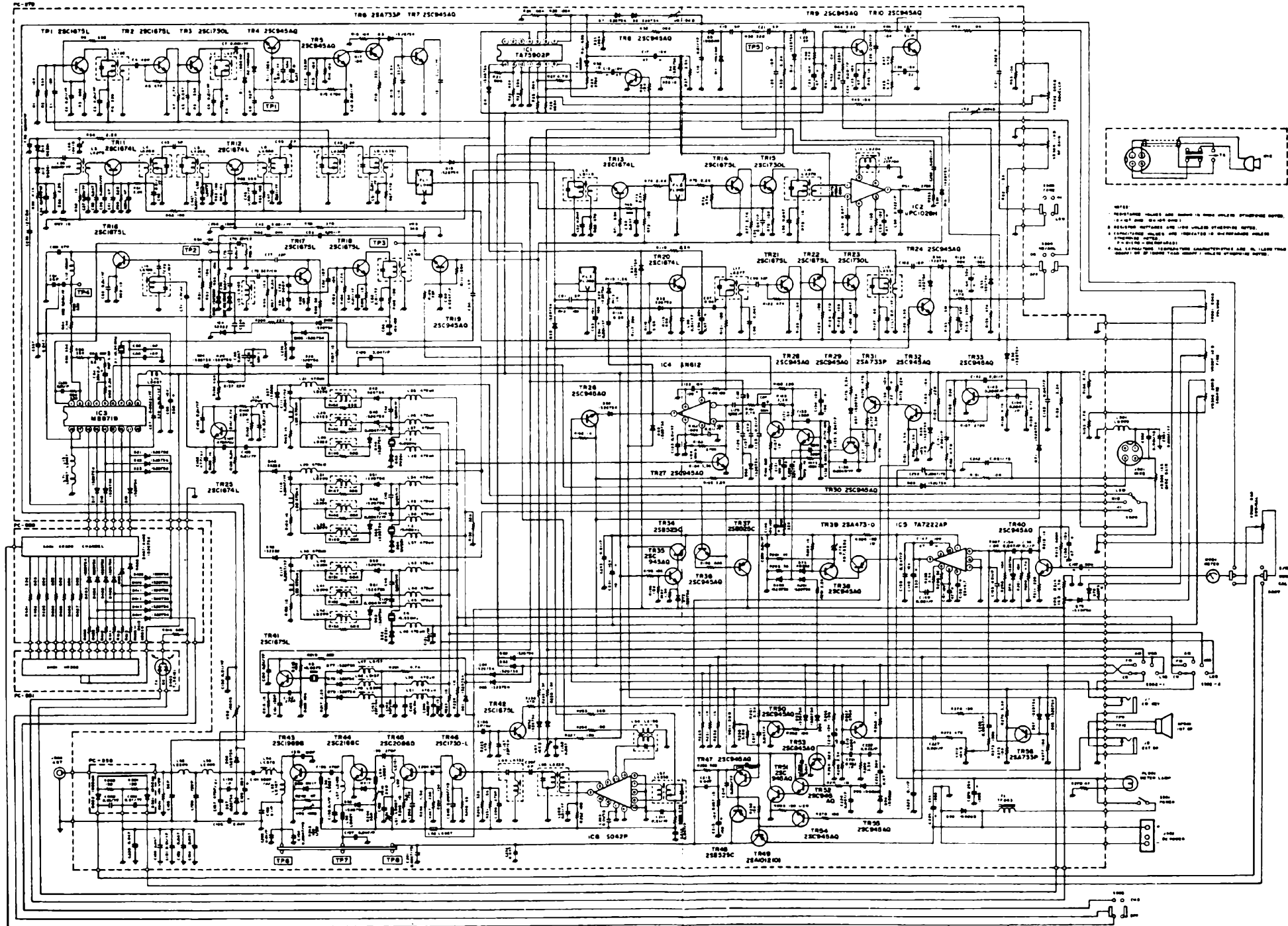
POWER DC 13.5V
FUSE 2A
SW 1 OFF / VOL



SCHEMATIC DIAGRAM

COBRA 148GTL-DX (EARLY)

SCHEMATIC DIAGRAM



EXPORT TUNEUPS

PACIFIC 800 SSB: (Worked from schematic on this one - SEE Vol 18 also!)
CHANGE FINAL-to 2SC1307, check insulators on Driver/Final and change if needed. Owner's Manual on this unit is good; and schematic for unit comes with it! Plenty of switches to play with also on the front panel; as this chip is modifiable; (Programming Pins for this chip: 9 through 17). Rx Tune: 8T1, 8M1, 8M2, 8M3, 8M4, 8T4...Tx Tune: 8M9, 8M11, L21, L19. The adjustments inside unit (12 of them)?? Fact: VR1-Rx Mtr, VR12-Driver Bias, VR10-Tx Mtr... (See Vol. 18 for additional locations)...Will print update on adjustments if received, as no unit to play with! SLIDE-Vol.18

MIDLAND 2001 (EXPORT): Owner's Manual is for U.S. model, has addendum for Export Version and schematic also. SPECIAL NOTE: Check Final immediately as schematic calls out 2SC495 being used as a Final—change to 2SC1306! This is only in some production runs—I HOPE, as don't have access to unit. Frequency shift is by two external crystals for low/hi bands, 14.91MHz for low band and 15.81MHz for hi band.. THEORY wise replacing the 15.81 crystal with a 14.46MHz crystal will achieve 40 additional channels on the lower side. Thus keeping off the SSB Fo's. (The crystal change should start you out at 26.065MHz—with realignment of PLL section..!)
Rx Tune: L101, L102, L103, L104, L105, L106, L107.
Tx Tune: L301, L302, L303, L304, L305, L306.
Adjustments inside unit: RV103-S Meter, RV202-Tx Meter, RV201-AMC, RV101-Sq Rng... IF NEEDED ONLY-AMC defeat is C228... If too noisy, increase value of C131... Nice little unit and not too \$\$, from what I hear...

MAJOR M-120: If you are bi-lingual will have fun on the manual that comes with this unit, (or learn something new-French & German also.). Basic Hygain O2A 2-Crystal chassis, with additional FM and Oscillator boards. Also has been changed to Relay switching for additional plug-in (not available). Comes with schematic, but schematic of the Oscillator board is not given? Final is 2SC1306—See SCB Vol. 15, page 65 for basic idea on Power modification. (I have seen a 'sealed' full-blown modified unit allready and checked on a dummy load: Freq Range was 25.685-28.305MHz, Power spread ran from 8.4W to 11.1W across the band...wrote up the freq's and is further on in this volume.) Also have heard that these units aren't expensive initially and 'out-of-box' performance needs only the the AM modulation turned up to about 90%. Line-up is basic Hygain O2A Chassis....(DO NOT REMOVE THE MODULATION LIMITER).....

GRANT-DX: This unit was the fastest unit to sell-out I have seen, GONE in two weeks flat! No frequency list comes with the EXPORT manual, but a schematic does come with it. 8719-PLL is fed by 2-4 bit adders; has 2-2SC2312's in parallel for RF Power (Final), and 2SC2166 used as a Driver. Unit doesn't have the 'split clarifier' as in the O2A chip exports; which is good—also furnished with unit is 'kit' for + 7KHz 'Slider', and instructions are good. The one mis-giving on this unit is no SWR meter? Power has to be turned down, if you are going to use a linear: VR13-AM, VR12-SSB, VR14-AMC. (Have heard that is smoking Linears!) Basically is a cross between Early/Late Versions of the Cobra 148GTL-DX with 'beefed' Transmit, switchable BEEP, standard U.S. clarifier, and NO SWR meter! If only they had used the MC145106P-PLL chip, and had an SWR Meter... No alignment on unit as yet, but have been told adjustments are marked on PCB.....

EXPORT TUNEUPS

TRISTAR 727: Plain 'NO FRILLS' unit, (No P.A., that is how plain it is!). RF Power is switchable in 3-levels: 0.5/5.0/10W. 2SC1306/1307 - Driver, and Final. TX Peak: L8, L9, L10, L12, L15, L16. RX Tune: L18, L19, L20, L22, L23, L24. VR1-Tx Mtr, VR3-S Mtr, VR2-Sq Rng, VR11-15 are TX Power adjustments, TC3-5 are Fine Adjustments on Crystals. PLL chip uPD2810 has Pin 7 tied to DC Gnd (Programming Pin); also Pin 22 is at DC Gnd (Frequency Select 5KHz/10KHz spacing); by isolating and changing logic level - who knows? Remember this is a ROM chip..

MARKO CB-444: This particular unit has all the features; RF Gain Pot., CB/PA, SWR Meter, ANL/NB, and 7.5W rated RF output. From the looks of schematic might be another of the old HYGAIN O2A 2-Crystal Chassis. If so have a ball, as plenty of 'extra switches' on the front panel. TX Peak: T3, T4, L7, L11, L12. RX Tune: T5, T6, L14, T7, T8, T10. RV4-Tx Mtr, RV3-S Mtr, RV2-AMC, RV1-Sq Rng. I like this unit because of the 'little extras' and the SWR meter is needed when expanding the unit for another 100+ channels which is no problem.

JACKSON: Like I said, this is THE ONE! Vastly 'up-dated version' of the 148GTL-DX(Late). A new diode matrix for logic switching of frequencies; broad-banded chassis; 10KHz jump switch-which shifts the whole band up; 'Beefed/re-designed' RF section. Hard to believe, but not much to modify on this unit. The only 'short-comings' are: lack of SWR Meter, and a High/Low RF output power switch. Both of these are needed! But instead put a Mod/S-RF, and ANL/NB push-buttons on the unit. (Will probably have these in the next Uniden version to come out.).....For line-up; BASIC; compare schematics with 148GTL-DX(Late)-and use it's line-up, just don't screwdriver the unit-as there is no Factory Line-up available yet!..... Careful on RF Power Output-just because the Final is 40W, doesn't mean that it has to be run full tilt!\$\$\$... Also this unit will fry your linear amplifier.... Adjustments you might have to turn down: AM Power: VR11; SSB Power: VR8; AMC: VR12.....

SUPERSTAR 95: Use the Tristar 727 alignment (above) on this one, as almost identical. The same particulars pertain to PLL chip also. NOTE: If you get 15W out of this unit - good, but 10W is about it.

Well that's about it for the EXPORTs, by now should really start calling them the "IMPORTS"... Are found out in the open now - just about any large truck stop has them for sale. RE: JACKSON's being sold for about \$325 minimum is the going rate - Remember: No Warranty, on any of these units, so know what you're doing if the covers come off....

Rumors are floating already about 3 additional Uniden 'type' units.... we'll see in Vol. 20.....

CAUTION—DOUBLE BOARD EXPORTS!

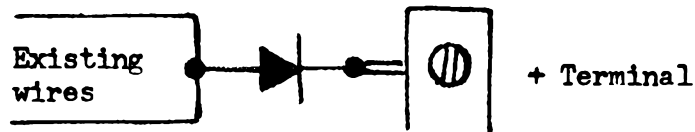
Below is list of O2A PLL Double-Board Export Chassis known to exist at this time. BEWARE, as will run into same service problems as U.S. versions! Major 360, Major M588, Multimode II, Ham International Concorde-(Not the Concorde II), Lafayette 1200FM. If anyone finds additional units pass along the info - might save someone a lot of headaches!

COBRA 150GTL OWNERS

I have been told that to have an INTEC 1200FM, all you do is peel off the COBRA label! Presto, you got it..... Someone set the record straight on this! Does the label say: Cobra 150GTL or Cobra GTL-150? Also need Fo's/PLL type...

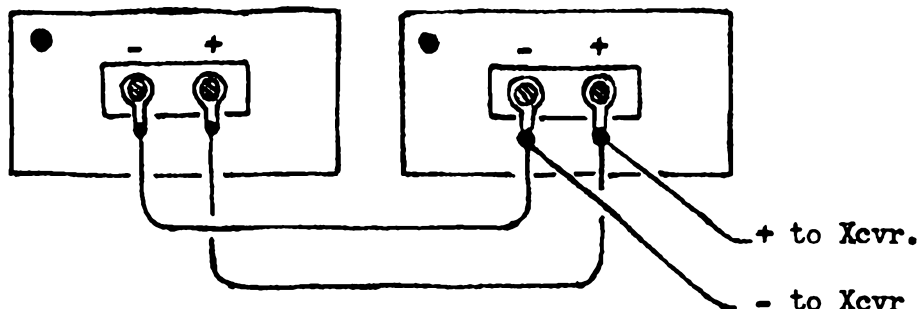
DOUBLING UP FOR CURRENT!

The 'newer' model Uniden Exports won't run on the normal 2.5-3.5A Reg. Power Supplies (especially the R/S #22-124/A's). Go buy another and hook-up in parallel - FIRST - "Carefully" drill out the pop rivets on case and remove all existing wiring to the + terminal. Modify BOTH as shown below: 6A/100V Rectifier Diode (Minimum Rating) in series to + terminal.



SECOND - Hook up both units in parallel, then the transceiver to either.

(Use insulated ring tongue hardware)



CROSS-REFERENCE

Thanks to Emil on this one: If you own a complete set of SAMS CB's will be of no interest; however some of us 'not so lucky'; have hit it with the following cross-references. Will run a cross-reference in future issues when/if sent in. PROVEN CROSS-REF. PLEASE, as don't want to run corrections.

However will have to treat this like the Hints/Kinks/Goofs column, no free-bie volume, bonus will be the cross references....

Wards GEN-719A #292, try #219 - Pres. McKinley, identical except for PLL, better description/reference component #'s are DIFFERENT, but locations the same.

SBE-30 Trinidad II #98, try #116 - Pierce Simpson Bobcat 23D, identical except for power supply.

HYGAIN-V (2705) #291, try #180 - Midland 79-892

Boman CB 770 (23 ch.), try #261 - Kris XL 70

Echo 99'er #49, try #104 - Sharp CB500UB

President AR7 and AX7 - use #286, both identical except for noise limiter sw's.

President Washington (MB-PLL) #222, try #219 - Cobra 142GTL

Cobra 21, try #62 - Pearce Simpson Tomcat 23

Cobra 29XLR, try #195 - Teaberry T-Command, similar board layout

Cobra 32XLR, try #190 - Tram D-42

Colt 900 (Midnight Special), try #202 - GTX-5000; #198 - Teaberry 'T'; #187 - Robyn T240D.

Courier Rebel 23 Plus, try #62 Pearce Simpson Tomcat 23

DAK Mark II/III, try #190 Alaron Mid. B-4075

Formac 40, try #166 Lafayette HB-740

GE3-5812A, try #148 - similar to GE3-5811B

GE3-5819A, try #147 - RCA 14T270

Globe 9001, try #106 - Nuvox CB-7000 identical

Kris Vega, try #104, Sharp CB-500UB

Midland 13-830, try #121 - Truetone CYJ4732A-77

Midland 13-883, try #56 - Cobra 29, identical

Midland 77-882, try #166 - Colt 800

Midland 77-888, try #147 RCA 14T270; #170 Midland 77-899 (ckt. brd. similar, -888 has wierd 6-pin mike plug.)

CROSS-REF. (Cont.)

Pearce Simpson Tiger Mark II, try #148 - Hygain 2680/81.

Pearce Simpson Tomcat 23B, try #95 - American Electronics 76-501/601
almost identical.

Pennys 981-6237, try #236 - Sears 934.38062700, PCB identical.

RCA 14T100, try #90 - Fulcomm Mdl. 2300

Romar CB-7000, try #106 - Nuvox CB-7000

Royce 609, try #266 - Pace 8003

Sears 23-PLL CM2378SL, try #236 - Sears 934.38062700, almost identical to
23 ch. unit.

Sears CM-2378A, try #236 - same as above, almost identical.

Sears CM-2378SA, try #236 - same as above, Identical.

.....

Got carried away, but went through my files and added all that I had to Emil's
list also. Hope this saves someone the time/expense of trying to find SAMS
for a certain unit.

.....

For 858 SSB Chassis (40 Ch., not those converted at factory from 23 to 40)!

TRY #207 - Realistic TRC-457/458, and #176 - President Adams: These two have
the most complete schematics/PCB 'stuffings' of all.

PACE 8041, (SM5118-PLL)

Tune up: Peak L6, L7, L8, L10, L13, L14. AMC Defeat - CR15.

LAKE 400 AM Mobile, (MC145106P-PLL)

If you want to try Fo modification on this unit see info on Palomar SSB-500.

UPDATES:

PACE 8155, (MM55107N-PLL); PACE 2300-C, (NPC5107-PLL)

Fo Modification is identical in both of these units:

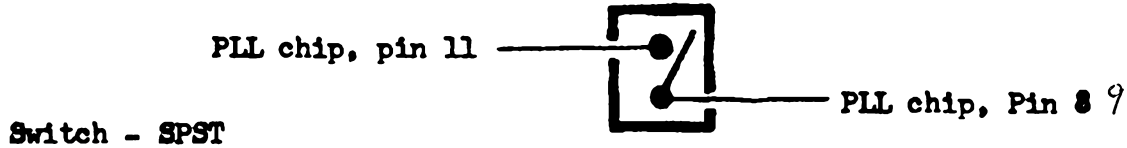
26.325-26.685MHz, selector pos. 1-32, - open Pin 9

26.695-27.005MHz, selector pos. 5-32, - open Pin 10

GRANT-DX, UPPER Fo MOD.

Following switch modification will give 27.875-28.055MHz in the High Position, selector positions 12-27. Any present 'garbage switch' may be hard-wired, and utilized...(Try the NE or Dimmer!)

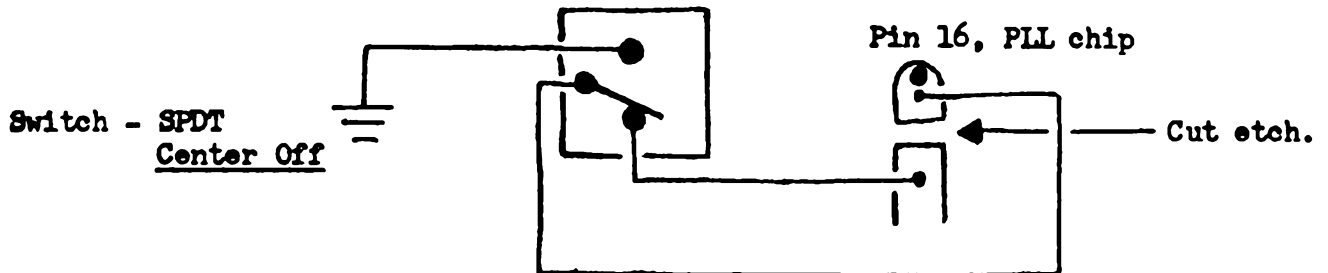
Normally OPEN position shown - Reg. Fo's.



GRANT-DX, 10KHz JUMP MOD. or missing Freq. mod

Following switch modification will allow you to get the "missing Fo's" by going up 10KHz. Used with above modification will have no misses, and is very simple modification.... Schematic, chart - below:

Normally DOWN position shown - Reg. Fo's.



| <u>Band Sw.</u> | <u>Selector</u> | <u>Reg. Fo</u> | <u>Switch Change</u> | <u>New Fo.</u> | |
|-----------------|----------------------------------|----------------|----------------------|----------------|--------|
| Low | 3 | 26.535 | Center | 26.545 | |
| | 8 | 26.605 | Up | 26.595 | |
| | 11 | 26.635 | Center | 26.645 | |
| | 16 | 26.705 | Up | 26.695 | |
| | 19 | 26.735 | Center | 26.745 | |
| Mid | 3 | 26.985 | Center | 26.995 (3A) | |
| | 8 | 27.055 | Up | 27.045 (7A) | |
| | 11 | 27.085 | Center | 27.095 (11A) | |
| | 16 | 27.155 | Up | 27.145 (15A) | |
| | 19 | 27.185 | Center | 27.195 (19A) | |
| High | 4 | 27.455 | Up | 27.445 | |
| | 7 | 27.485 | Center | 27.495 | |
| | 12 | 27.555 | Up | 27.545 | |
| | 15 | 27.585 | Center | 27.595 | |
| | | 20 | 27.655 | Up | 27.645 |
| | High, with.. above Fo Mod. | 12 | 27.875 | Up | 27.865 |
| 15 | | 27.905 | Center | 27.915 | |
| 20 | | 27.975 | Up | 27.965 | |

No misses, you have them all.....

GRANT-DX, UPPER Fo Mod - Chart

This is the Selector/Fo chart for modification on preceeding page (34).

| <u>Selector</u> | <u>Freq.</u> | <u>Selector</u> | <u>Freq.</u> |
|-----------------|--------------|-----------------|--------------|
| 12..... | 27.875 | 20..... | 27.975 |
| 13..... | 27.885 | 21..... | 27.985 |
| 14..... | 27.895 | 22..... | 27.995 |
| 15..... | 27.905 | 23..... | 28.025 |
| 16..... | 27.925 | 24..... | 28.005 |
| 17..... | 27.935 | 25..... | 28.015 |
| 18..... | 27.945 | 26..... | 28.035 |
| 19..... | 27.955 | 27..... | 28.045 |
| | | 28..... | 28.055 |

* * * GRANT-DX: S P E C I A L N O T E * * *

(Ed. Note:) It has come to my attention that some distributors/dealers are charging 'extra' for the Slide kit. GRANT COMES WITH THE SLIDE KIT. If you have been charged extra for it; I suggest you change distributor or dealer; which ever got to you. (A charge for kit installation into a unit, I can see!)....

GRANT-DX, - SLIDE

"Quotes": "It's a shame, but the clarifier circuit flat stinks!"
"What a waste; ruined a good unit; with lousy clarifier design!"
"Couldn't believe it, the designer must be in the dark ages!"
Well, that's just a few.... Had plenty, but just wanted to let you know that you're not alone.

Have come up with a different modification than the kit. Incorporates about 3 different modifications sent in, with some extra pointers. Don't have a unit to try it on ----- so want 'feedback' for Vol. 20!!

USE AMPLIFIED LAYOUT ON PAGE 36, ALL CHANGES MARKED ON IT...REFERENCE!

1. Remove D-40, D-44, D-45; clean out all holes. (Put D40 and D44 in the 'goodie' box as might have future use for.)
2. Trace outer wires on the Clarifier pot to PCB, remove both.
3. Solder the BLUE wire directly to PCB, D.C. Ground etch!
4. Solder the GRAY wire to 8.4VDC source; Zener Diode D-63.
5. ~~Remove R-158 (15K), replace with 1K 1/4W 5%.~~
6. Using the diagram on page 36... solder the 220Mfd electrolytic capacitor that came with kit into the indicated holes that were cleaned out, (sleeve leads if necessary).
7. Use 'solid' piece of insulated wire and solder at Pt. A only at this time.
8. Install - don't solder yet a 'Super Diode' in the holes where D-40 was.
9. 'Cut to length-shortest' the wire in step 7 and install in Pt. B, will have both the wire and 'Super Diode' in same hole. Now solder both and other end of diode.
10. Slide is now finished, should have approximately ? of slide.
11. If more is needed, unsolder the 'Super Diode' at Pt. C, and install in series. one of the chokes that came with kit.

GRANT-DX. SLIDE (Cont.):

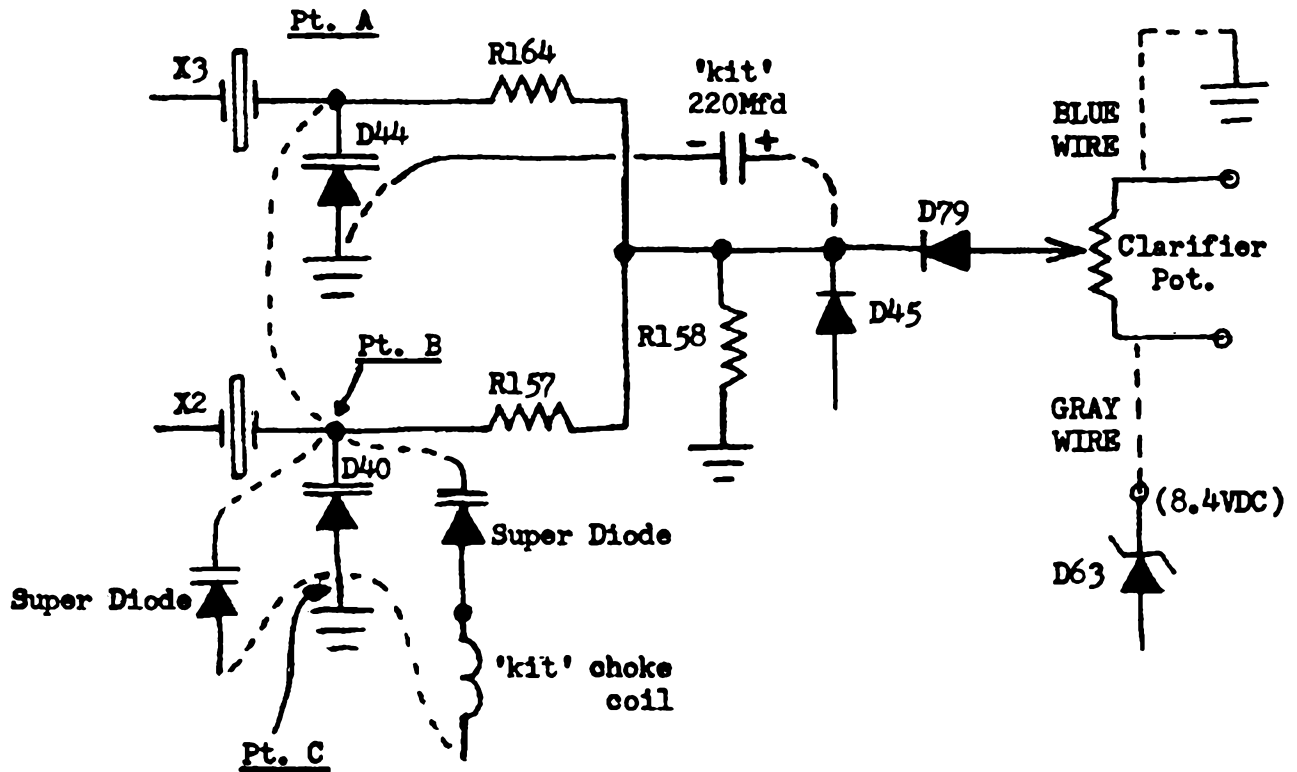
12. Slide may be individually adjusted by the following:

LOW BAND: AM/FM - I22
USB - I23
LSB - I24

MID & HIGH BAND: AM/FM - I25
USB - I26
LSB - I27

OVERALL BANDS: AM/FM - I28
USB - I29
LSB - I30

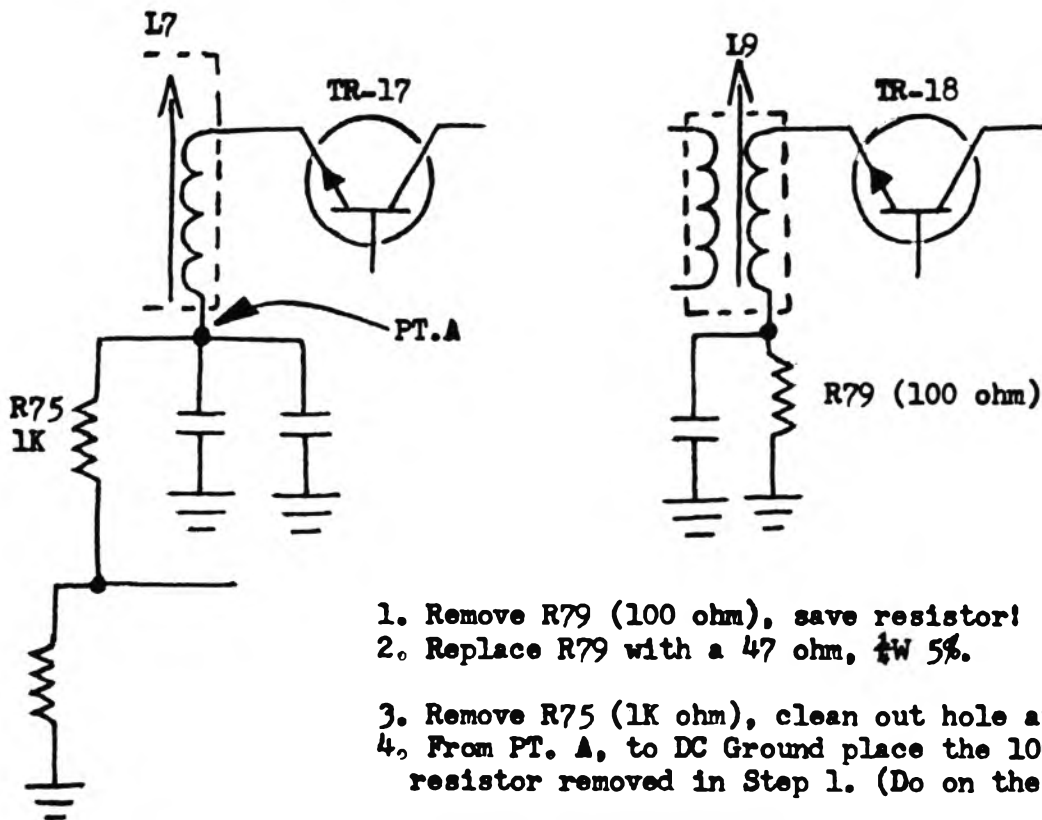
----- SLIDE - REFERENCE -----



Additional Grant adjustments: SSB Power - VR12 AM Power - VR13
AM Modul. - VR14 TX Mtr. - VR8
Final Bias - VR9 & VR10 Driver Bias - VR11
FM Deviation - VR5 AM/FM Sq. Rng - VR4
SSB Sq Rng. - VR3 Bal. Modulator - VR7
AM/FM S Mtr. - VR1 SSB S Mtr. - VR2
(VR6, was permanently disabled in modification)

Note: Performance reports on units are good, will 'fry' a linear if power is not turned down. "Double-check" all power transistors for mica insulators, as Uniden 'standard practice' is the thick white plastic type. CHANGE IF NEEDED.... Have heard of no major problem on these units to date; just the usual—stuff; 'hook-up backwards, etc.'

"2 of Radio Shack's Regulated 12V Power Supplies in parallel; will work when using as a Base."



1. Remove R79 (100 ohm), save resistor!
2. Replace R79 with a 47 ohm, $\frac{1}{4}$ W 5%.
3. Remove R75 (1K ohm), clean out hole at PT. A.
4. From PT. A, to DC Ground place the 100 ohm resistor removed in Step 1. (Do on the etch side).

SERVICE TIPS

"EXPORT", CYBERNET 02A-PLL AM/FM/SSB CHASSIS

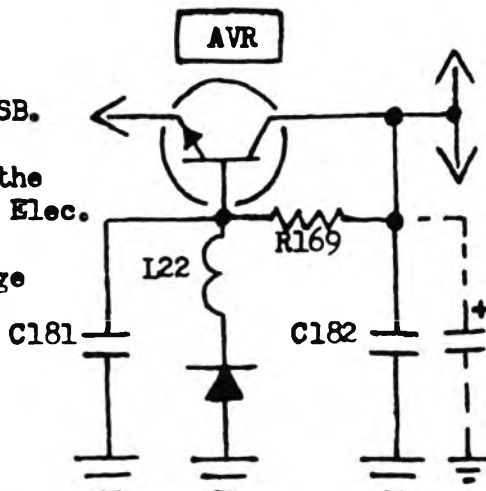
by B.W.

ALL UNITS THAT HAVE THE 2SC1969: CHANGE FINAL!.....Specified to SCB

long before Vol. 3 even came into being that this transistor is no-good!

Replace with 2SC1307; adjust bias for 15ma; maximum.

The other big problem is in the AVR, (check your schematics for the right transistor, as is different marking in some chassis..) General Layout below.



Problem: Scratchy TX in SSB.

Cure: Add C184 if not in the circuit. (470Mfd/16V Elec. Capacitor.)

If problems persist: change the present Xstr to a 2SD839..

Note: in most units this is Q36, and a 2SD837 or 2SD1192 is usual transistor.

C184; ADD-470Mfd/16VDC, if not in unit. Observe correct polarity!

"GEORGE FREQUENCY CODES"

| Frequency | Button | Selector | Frequency | Button | Selector | Frequency | Button | Selec |
|-----------|---------|----------|-----------|--------------|----------|-----------|---------|-------|
| 26.085 | Red | 11 | 26.775 | Red-Ylw | 37 | 27.505 | Ylw | 12 |
| 26.105 | Red | 12 | 26.785 | Red-Ylw | 38 | 27.515 | Ylw | 13 |
| 26.115 | Red | 13 | 26.795 | Red-Ylw | 39 | 27.525 | Ylw | 14 |
| 26.125 | Red | 14 | 26.805 | Red-Ylw | 40 | 27.535 | Ylw | 15 |
| 26.135 | Red | 15 | 26.855 | Red-Grn | 8 | 27.555 | Ylw | 16 |
| 26.155 | Red | 16 | 26.865 | Red-Grn | 9 | 27.565 | Ylw | 17 |
| 26.165 | Red | 17 | 26.875 | Red-Grn | 10 | 27.575 | Ylw | 18 |
| 26.175 | Red | 18 | 26.885 | Red-Grn | 11 | 27.585 | Ylw | 19 |
| 26.185 | Red | 19 | 26.905 | Red-Grn | 12 | 27.605 | Ylw | 20 |
| 26.205 | Red | 20 | 26.915 | Red-Grn | 13 | 27.615 | Ylw | 21 |
| 26.215 | Red | 21 | 26.925 | Red-Grn | 14 | 27.625 | Ylw | 22 |
| 26.225 | Red | 22 | 26.935 | Red-Grn | 15 | 27.635 | Ylw | 24 |
| 26.235 | Red | 24 | 26.955 | Red-Grn | 16 | 27.645 | Ylw | 25 |
| 26.245 | Red | 25 | 26.965 | None-Reg.Ch. | 1 | 27.655 | Ylw | 23 |
| 26.255 | Red | 23 | 26.975 | None-Reg.Ch. | 2 | 27.665 | Ylw | 26 |
| 26.265 | Red | 26 | 26.985 | None-Reg.Ch. | 3 | 27.675 | Ylw | 27 |
| 26.275 | Red | 27 | 27.005 | None-Reg.Ch. | 4 | 27.685 | Ylw | 28 |
| 26.285 | Red | 28 | 27.015 | None-Reg.Ch. | 5 | 27.695 | Ylw | 29 |
| 26.295 | Red | 29 | 27.025 | None-Reg.Ch. | 6 | 27.705 | Ylw | 30 |
| 26.305 | Red | 30 | 27.035 | None-Reg.Ch. | 7 | 27.715 | Ylw | 31 |
| 26.315 | Red | 31 | 27.045 | Red-Grn | 25 | 27.725 | Ylw | 32 |
| 26.325 | Red | 32 | 27.055 | None-Reg.Ch. | 8 | 27.735 | Ylw | 33 |
| 26.335 | Red | 33 | 27.065 | None-Reg.Ch. | 9 | 27.745 | Ylw | 34 |
| 26.345 | Red | 34 | 27.075 | None-Reg.Ch. | 10 | 27.755 | Ylw | 35 |
| 26.355 | Red | 35 | 27.085 | None-Reg.Ch. | 11 | 27.765 | Ylw | 36 |
| 26.365 | Red | 36 | 27.105 | None-Reg.Ch. | 12 | 27.775 | Ylw | 37 |
| 26.375 | Red | 37 | 27.115 | None-Reg.Ch. | 13 | 27.785 | Ylw | 38 |
| 26.385 | Red | 38 | 27.125 | None-Reg.Ch. | 14 | 27.795 | Ylw | 39 |
| 26.395 | Red | 39 | 27.135 | None-Reg.Ch. | 15 | 27.805 | Ylw | 40 |
| 26.405 | Red | 40 | 27.155 | None-Reg.Ch. | 16 | 27.855 | Grn | 8 |
| 26.455 | Red-Ylw | 8 | 27.165 | None-Reg.Ch. | 17 | 27.865 | Grn | 9 |
| 26.465 | Red-Ylw | 9 | 27.175 | None-Reg.Ch. | 18 | 27.875 | Grn | 10 |
| 26.475 | Red-Ylw | 10 | 27.185 | None-Reg.Ch. | 19 | 27.885 | Grn | 11 |
| 26.485 | Red-Ylw | 11 | 27.205 | None-Reg.Ch. | 20 | 27.905 | Grn | 12 |
| 26.505 | Red-Ylw | 12 | 27.215 | None-Reg.Ch. | 21 | 27.915 | Grn | 13 |
| 26.515 | Red-Ylw | 13 | 27.225 | None-Reg.Ch. | 22 | 27.925 | Grn | 14 |
| 26.525 | Red-Ylw | 14 | 27.235 | None-Reg.Ch. | 24 | 27.935 | Grn | 15 |
| 26.535 | Red-Ylw | 15 | 27.245 | None-Reg.Ch. | 25 | 27.955 | Grn | 16 |
| 26.555 | Red-Ylw | 16 | 27.255 | None-Reg.Ch. | 23 | 27.965 | Grn | 17 |
| 26.565 | Red-Ylw | 17 | 27.265 | None-Reg.Ch. | 26 | 27.975 | Grn | 18 |
| 26.575 | Red-Ylw | 18 | 27.275 | None-Reg.Ch. | 27 | 27.985 | Grn | 19 |
| 26.585 | Red-Ylw | 19 | 27.285 | None-Reg.Ch. | 28 | 28.005 | Grn | 20 |
| 26.605 | Red-Ylw | 20 | 27.295 | None-Reg.Ch. | 29 | 28.015 | Grn | 21 |
| 26.615 | Red-Ylw | 21 | 27.305 | None-Reg.Ch. | 30 | 28.025 | Grn | 22 |
| 26.625 | Red-Ylw | 22 | 27.315 | None-Reg.Ch. | 31 | 28.035 | Grn | 24 |
| 26.635 | Red-Ylw | 24 | 27.325 | None-Reg.Ch. | 32 | 28.045 | Grn | 25 |
| 26.645 | Red-Ylw | 25 | 27.335 | None-Reg.Ch. | 33 | 28.055 | Blu-Red | 8 |
| 26.655 | Red-Ylw | 23 | 27.345 | None-Reg.Ch. | 34 | 28.065 | Blu-Red | 9 |
| 26.665 | Red-Ylw | 26 | 27.355 | None-Reg.Ch. | 35 | 28.075 | Blu-Red | 10 |
| 26.675 | Red-Ylw | 27 | 27.365 | None-Reg.Ch. | 36 | 28.085 | Blu-Red | 11 |
| 26.685 | Red-Ylw | 28 | 27.375 | None-Reg.Ch. | 37 | 28.105 | Blu-Red | 12 |
| 26.695 | Red-Ylw | 29 | 27.385 | None-Reg.Ch. | 38 | 28.115 | Blu-Red | 13 |
| 26.705 | Red-Ylw | 30 | 27.395 | None-Reg.Ch. | 39 | 28.125 | Blu-Red | 14 |
| 26.715 | Red-Ylw | 31 | 27.405 | None-Reg.Ch. | 40 | 28.135 | Blu-Red | 15 |
| 26.725 | Red-Ylw | 32 | 27.455 | Ylw | 8 | 28.155 | Blu-Red | 16 |
| 26.735 | Red-Ylw | 33 | 27.465 | Ylw | 9 | 28.165 | Blu-Red | 17 |
| 26.745 | Red-Ylw | 34 | 27.475 | Ylw | 10 | 28.175 | Blu-Red | 18 |
| 26.755 | Red-Ylw | 35 | 27.485 | Ylw | 11 | 28.185 | Blu-Red | 19 |
| 26.765 | Red-Ylw | 36 | | | | | | |

| Frequency | Button | Selector | Frequency | Button | Selector | Frequency | Button | Selector |
|-----------|-------------|----------|-----------|-------------|----------|-----------|--------|----------|
| 28.205 | Blu-Red | 20 | 28.645 | Blu-Red-Ylw | 25 | 29.075 | Blu | 10 |
| 28.215 | Blu-Red | 21 | 28.655 | Blu-Red-Ylw | 23 | 29.085 | Blu | 11 |
| 28.225 | Blu-Red | 22 | 28.665 | Blu-Red-Ylw | 26 | 29.105 | Blu | 12 |
| 28.235 | Blu-Red | 24 | 28.675 | Blu-Red-Ylw | 27 | 29.115 | Blu | 13 |
| 28.245 | Blu-Red | 25 | 28.685 | Blu-Red-Ylw | 28 | 29.125 | Blu | 14 |
| 28.255 | Blu-Red | 23 | 28.695 | Blu-Red-Ylw | 29 | 29.135 | Blu | 15 |
| 28.265 | Blu-Red | 26 | 28.705 | Blu-Red-Ylw | 30 | 29.155 | Blu | 16 |
| 28.275 | Blu-Red | 27 | 28.715 | Blu-Red-Ylw | 31 | 29.165 | Blu | 17 |
| 28.285 | Blu-Red | 28 | 28.725 | Blu-Red-Ylw | 32 | 29.175 | Blu | 18 |
| 28.295 | Blu-Red | 29 | 28.735 | Blu-Red-Ylw | 33 | 29.185 | Blu | 19 |
| 28.305 | Blu-Red | 30 | 28.745 | Blu-Red-Ylw | 34 | 29.205 | Blu | 20 |
| 28.315 | Blu-Red | 31 | 28.755 | Blu-Red-Ylw | 35 | 29.215 | Blu | 21 |
| 28.325 | Blu-Red | 32 | 28.765 | Blu-Red-Ylw | 36 | 29.225 | Blu | 22 |
| 28.335 | Blu-Red | 33 | 28.775 | Blu-Red-Ylw | 37 | 29.235 | Blu | 24 |
| 28.345 | Blu-Red | 34 | 28.785 | Blu-Red-Ylw | 38 | 29.245 | Blu | 25 |
| 28.355 | Blu-Red | 35 | 28.795 | Blu-Red-Ylw | 39 | 29.255 | Blu | 23 |
| 28.365 | Blu-Red | 36 | 28.805 | Blu-Red-Ylw | 40 | 29.265 | Blu | 26 |
| 28.375 | Blu-Red | 37 | 28.855 | Blu-Red-Grn | 8 | 29.275 | Blu | 27 |
| 28.385 | Blu-Red | 38 | 28.865 | Blu-Red-Grn | 9 | 29.285 | Blu | 28 |
| 28.395 | Blu-Red | 39 | 28.875 | Blu-Red-Grn | 10 | 29.295 | Blu | 29 |
| 28.405 | Blu-Red | 40 | 28.885 | Blu-Red-Grn | 11 | 29.305 | Blu | 30 |
| 28.455 | Blu-Red-Ylw | 8 | 28.905 | Blu-Red-Grn | 12 | 29.315 | Blu | 31 |
| 28.465 | Blu-Red-Ylw | 9 | 28.915 | Blu-Red-Grn | 13 | 29.325 | Blu | 32 |
| 28.475 | Blu-Red-Ylw | 10 | 28.925 | Blu-Red-Grn | 14 | 29.335 | Blu | 33 |
| 28.485 | Blu-Red-Ylw | 11 | 28.935 | Blu-Red-Grn | 15 | 29.345 | Blu | 34 |
| 28.505 | Blu-Red-Ylw | 12 | 28.955 | Blu-Red-Grn | 16 | 29.355 | Blu | 35 |
| 28.515 | Blu-Red-Ylw | 13 | 28.965 | Blu-Red-Grn | 17 | 29.365 | Blu | 36 |
| 28.525 | Blu-Red-Ylw | 14 | 28.975 | Blu-Red-Grn | 18 | 29.375 | Blu | 37 |
| 28.535 | Blu-Red-Ylw | 15 | 28.985 | Blu-Red-Grn | 19 | 29.385 | Blu | 38 |
| 28.555 | Blu-Red-Ylw | 16 | 29.005 | Blu-Red-Grn | 20 | 29.395 | Blu | 39 |
| 28.565 | Blu-Red-Ylw | 17 | 29.015 | Blu-Red-Grn | 21 | 29.405 | Blu | 40 |
| 28.575 | Blu-Red-Ylw | 18 | 29.025 | Blu-Red-Grn | 22 | | | |
| 28.585 | Blu-Red-Ylw | 19 | 29.035 | Blu-Red-Grn | 24 | | | |
| 28.605 | Blu-Red-Ylw | 20 | 29.045 | Blu-Red-Grn | 25 | | | |
| 28.615 | Blu-Red-Ylw | 21 | 29.055 | Blu | 8 | | | |
| 28.625 | Blu-Red-Ylw | 22 | 29.065 | Blu | 9 | | | |
| 28.635 | Blu-Red-Ylw | 24 | | | | | | |

Codes

Blu ----- Blue
 Grn ----- Green
 Red ----- Red
 Ylw ----- Yellow

Had a guy show up with rig for mike circuit modification; (RE: Vol. 9-Realistic 21-1175.) When I pulled the covers off; saw strictly 'CUSTOM'; neat/clean-all old wiring to switches permanently hard-wired. Unit had a lot of broad-banded coils, a VCO modification, RF Pre-Amp, and 12KHz slide. Customer said that builder 're-worked' a Zebra Mod. to keep right on going, and spent more time experimenting on this particular chassis than any he has ever done.

Copied down the additional frequencies, and added to the old Zebra Chart, as identical codes/selector/frequencies through 28.045MHz. George is the builder! If I counted correctly there is 279 channels in unit. Power vs. Fo below:
 26.085 AM-2.8 SSB-8.5; 26.405 AM-3.6 SSB-11.2; 26.965 AM-4.6 SSB-12.5;
 27.855 AM-4.8 SSB-12.8; 28.405 AM-4.9 SSB-13.0; 29.055 AM-4.0 SSB-12.0;
 29.405 AM-3.2 SSB-10.7. Power started to drop the last 200KHz on the ends of the band. (I did notice that the RF Gain was reversed operation and ON/OFF Volume pot utilized for the 'extra switch'). By the way unit was TRC-449!

COBRA 29GTL - SLIDE (UPDATE)

RE: Vol. 13, pg. 57; How to add slide to your Cobra 29GTL.

Recenter the Delta Tune after Mod:

1. Turn Channel Selector to Channel 20.
2. Turn Delta Tune to Center (Ident).
3. Adjust L24 for 27.205MHz.
(Test unit gave -5KHz, +6KHz slide)
*Special Note: I left C131 in circuit, as it gave a smoother slide this way. (This was step 6, in original article).
4. With this alignment of L24, have even 'channels' on both sides of regular channels.

For -10KHz Slide and NO up slide:

1. Turn Channel Selector to Channel 20.
2. Turn Delta Tune FULLY CLOCKWISE..
3. Adjust L24 for 27.205MHz.
(Test unit gave a full -10KHz slide)
*Again, C131 was left in the circuit.

This last slide arrangement allows a full 'channel' of slide in the down range....Kit 89-1, is the correct unit for installation as will allow: 26.505-27.855MHz coverage, 136 channels-ODD/134 channels-EVEN. IF, the -10KHz slide arrangement installed..

Kit 89-1, available: Selman Enterprises...

UNIDEN PC33 (TC9106BP-PLL)

Had to buy some 'cheap' radio's for customer, so thought I would give these a shot. That way could do a write-up on them at the same time.

Out-of-box; 3.5W, 50%+ modulation, REJECTION-??? (I live about $\frac{1}{2}$ mile from truck stop and that is my gauge of rejection-Ch. 19 was coming in on Ch. 26. Even a high-powered signal shouldn't do that!).

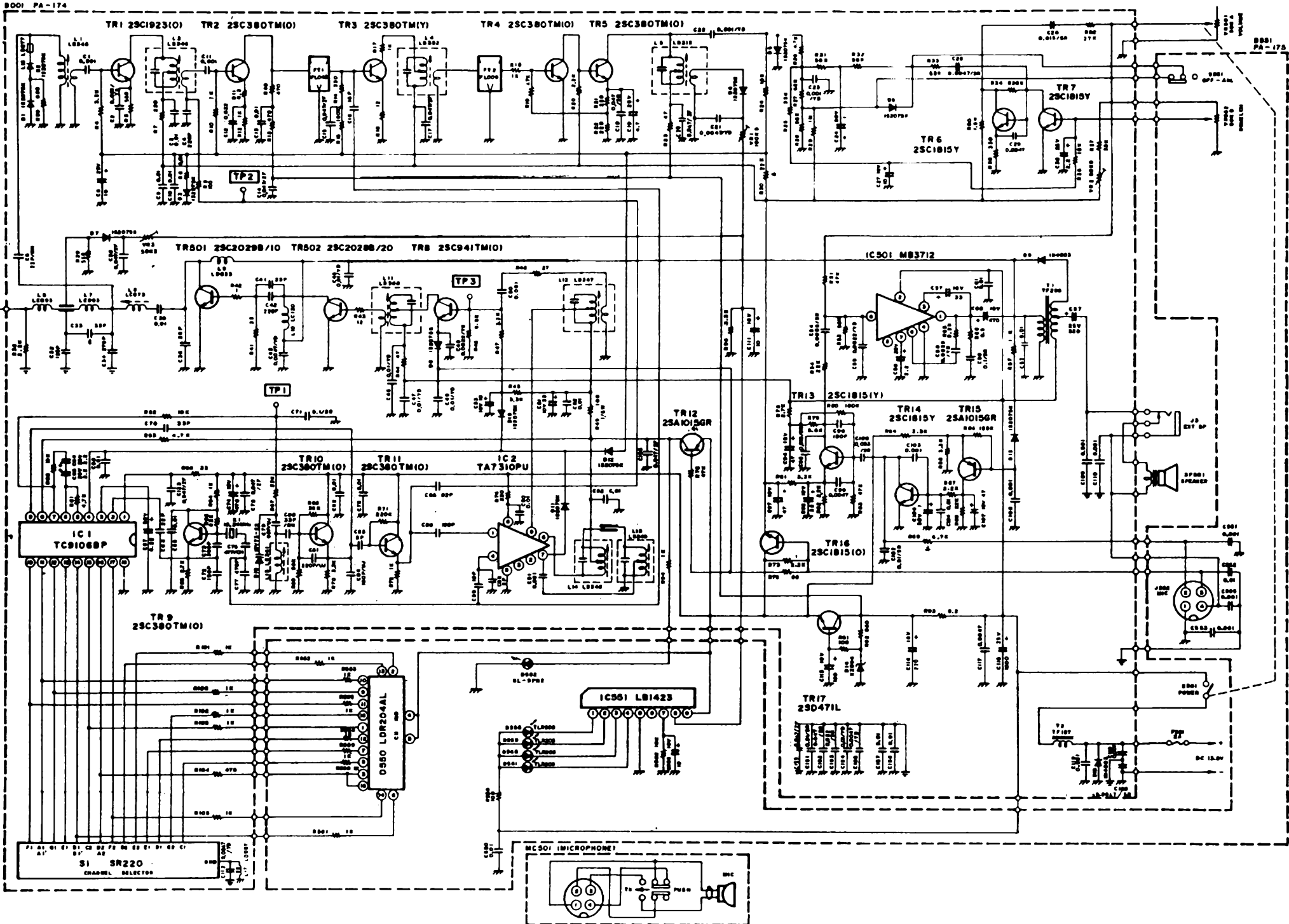
Couldn't sell to customer like that; so had 2 of my 'loaners' back for his use; and he took off for Florida. In the meantime, I wrote to Uniden for Schematic (NONE in the Owner's Manual?). One month and two letters later I received the schematic, finally! Service used to be one of main reasons for purchase from them!

No problems with 're-engineering' the units. In fact for about 8¢ per unit they should have, during production runs!

Rejection - See Vol. 16, Page 40. 'Bleed-Over Filter'..Perfect, and works like a champ. Modulation - Remove D13 (Don't use amplified microphone afterwards). Insert a slug in L10; first put a piece of rubber band in core; to prevent slug from falling to bottom (odd size).

Tune for PEAK POWER: L15, L14, L12, L11, L10, and L8. Adjust VR3 for 2 lights ON-Dead Key, 3 ON with 4th flickering when talking. (This way if all 4 come ON when dead-keying; acts as SWR meter; and something's wrong!). Had to increase value of VR3 in one unit.
RX alignment: L1, L2, L4, L5. VR1-S 'lights', VR2-Sq Rng.
Both units averaged out 4.7W - Deadkey, with 100% modulation.

UNIDEN PC-33



SPECIFIC TUNEUPS

NEW '84 - REALISTIC TRC-412 (21-1506), 40 Ch. "Emergency" Mobile; IC7131-PLL.
Big improvement on unit; is now a hand-full; with 'push-to-talk' on the side.
(Only good if you are right-handed!) Discriminating against the—LEFTY's again!
Adjustments: RV1-AMC, RV2-Sq Rng...Rx Tune: T5, T6, T7, T8, T9...

Tx Tune: T2, T3, T4, L7...

If modulation can't be brought up by adjusting, remove Q6.

For noise improvement, increase value of C22.(Note polarity, + at DC Gnd.)

NEW '84 - REALISTIC TRC-414 (21-1508), 40 Ch. AM Mobile; IC7131-PLL
NO METER, has L.E.D. Light; Instant channel 9 or 19; PA/CB/MON select.
Shiny front cover, a dull chrome.

Adjustments: VR2-Sq Rng, VR5-Rx Light adjust, VR6-Tx Light adjust.

Rx Tune: T1, T2, T3, T4, T5, T6, T7.

Tx Tune: T12, T13, L3, L6.

No AMC adjustment in unit, if too low - change R84 to a variable and adjust or remove from circuit completely. (NOTE: Will have to change VR6 to 50K).
To increase power—check R109, if 8 ohms or higher, change to a lower value.
Change C32 to a higher value for noise improvement. (+ to DC Gnd!)

REALISTIC TRC-83 (21-1605), 1W/3 Ch. Walkie-Talkie..

VR3 - Sq Range; RX Adj: T1, T2, T3, T4, T5, T6. TX Adj: T9, T10, T11, L3.

R51 may be changed to lower value for higher output. (Spec. is 700mW max!)

REALISTIC TRC-206 (21-1635 and 21-1635/9206), 3W/3 Ch. Walkie-Talkie..

The only difference between the two versions is an external power jack on the '9206'... VR3-Sq Rng. RX Adj: L1, L2, T1, T2, T3. TX Adj: L4, L6, L8, L10.
R48, may be changed to lower value for higher output. (Spec. is 1.2-1.8W max!)
*D9, may be removed for higher modulation...

EVERSONIC Md1 DK-222: (23 Ch. Mobile) TX peak for max forward mod: L11, L13, L15, L16. VT2-Sq Rng, VT3-AMC, VT4-RF Meter, VT5-S Meter.

KRACO KCB-1401: (23 Ch. Mobile) TX peak for max forward mod: L11, L10, L9.
VR2-TX Mtr, VR3-RX Mtr, VR5-Sq Rng, VR7-AMC, VR8-RF Gain.

J.C. Penny 981-6235 (23 Ch. Base)-PINTO. R19-RF Gain, R116-TX Meter, R32-RX Meter, R33-Sq Rng, AMC Defeat-remove D15.

PACE 8025 & CB166: R207-AMC, R156-Sq Rng, R413-TX Meter, R155-RX Meter.

MIDLAND 13-867: (23 Ch. Mobile) TX peak for max forward mod: L12, L13, L1, L4. VR1-TX Meter, VR2-S Meter, VR3-Sq Range, VR4-RF Gain(Note in some units labeled VR5). AMC defeat-remove D14; not marked on PCB-located near marking for TR19, which isn't on the PCB, between the Antenna conn. and PA Jack.

PEARCE-SIMPSON JAGUAR 40B: TX peak for max forward mod: L26, L25. VR3-AMC

LAFAYETTE MICRO 723: RV101-RX Mtr, RV102-TX Mtr, RV103-Sq Rng, AMC defeat-D107

JOHNSON 132: Modulation Limiter is CR11

--- CORRECTION ---

RE: Vol. 7, page 46. Alignment-paragraph 3. "Cut R43 for more ANL range - this will give you 200% improvement on your noise blanker." DELETE ALL.
ADD—Increase value of R43, don't go too high as will affect audio output.
Start with 1.5M ohm...

CORRECTION
COMPLETED
16 OCT 84

SPECIAL NOTE: This chart can be utilized on most O2A-PLL AM/FM, 'EXPORTS' after modification.

ALPHA FREQUENCY CODE CHART

| LOW BAND | | MID BAND | | HI BAND | |
|-----------------|------------------|-----------------|------------------|-----------------|------------------|
| <u>Selector</u> | <u>Frequency</u> | <u>Selector</u> | <u>Frequency</u> | <u>Selector</u> | <u>Frequency</u> |
| 1 | 25.685MHz | 41 | 26.135MHz | 1 | 26.585MHz |
| 2.... | 25.695 | 42.... | 26.145 | 2.... | 26.595 |
| 3 | 25.705 | 43 | 26.155 | 3 | 26.605 |
| 4.... | 25.725 | 44.... | 26.175 | 4.... | 26.625 |
| 5 | 25.735 | 45 | 26.185 | 5 | 26.635 |
| 6.... | 25.745 | 46.... | 26.195 | 6.... | 26.645 |
| 7 | 25.755 | 47 | 26.205 | 7 | 26.655 |
| 8.... | 25.775 | 48.... | 26.225 | 8.... | 26.675 |
| 9 | 25.785 | 49 | 26.235 | 9 | 26.685 |
| 10.... | 25.795 | 50.... | 26.245 | 10.... | 26.695 |
| 11 | 25.805 | 51 | 26.255 | 11 | 26.705 |
| 12.... | 25.825 | 52.... | 26.275 | 12.... | 26.725 |
| 13 | 25.835 | 53 | 26.285 | 13 | 26.735 |
| 14.... | 25.845 | 54.... | 26.295 | 14.... | 26.745 |
| 15 | 25.855 | 55 | 26.305 | 15 | 26.755 |
| 16.... | 25.875 | 56.... | 26.325 | 16.... | 26.775 |
| 17 | 25.885 | 57 | 26.335 | 17 | 26.785 |
| 18.... | 25.895 | 58.... | 26.345 | 18.... | 26.795 |
| 19 | 25.905 | 59 | 26.355 | 19 | 26.805 |
| 20.... | 25.925 | 60.... | 26.375 | 20.... | 26.825 |
| 21 | 25.935 | 61 | 26.385 | 21 | 26.835 |
| 22.... | 25.945 | 62.... | 26.395 | 22.... | 26.845 |
| 24 | 25.955 | 64 | 26.405 | 24 | 26.855 |
| 25.... | 25.965 | 65.... | 26.415 | 25.... | 26.865 |
| 23 | 25.975 | 63 | 26.425 | 23 | 26.875 |
| 26.... | 25.985 | 66.... | 26.435 | 26.... | 26.885 |
| 27 | 25.995 | 67 | 26.445 | 27 | 26.895 |
| 28.... | 26.005 | 68.... | 26.455 | 28.... | 26.905 |
| 29 | 26.015 | 69 | 26.465 | 29 | 26.915 |
| 30.... | 26.025 | 70.... | 26.475 | 30.... | 26.925 |
| 31 | 26.035 | 71 | 26.485 | 31 | 26.935 |
| 32.... | 26.045 | 72.... | 26.495 | 32.... | 26.945 |
| 33 | 26.055 | 73 | 26.505 | 33 | 26.955 |
| 34.... | 26.065 | 74.... | 26.515 | 34.... | 26.965 |
| 35 | 26.075 | 75 | 26.525 | 35 | 26.975 |
| 36.... | 26.085 | 76.... | 26.535 | 36.... | 26.985 |
| 37 | 26.095 | 77 | 26.545 | 37 | 26.995 |
| 38.... | 26.105 | 78.... | 26.555 | 38.... | 27.005 |
| 39 | 26.115 | 79 | 26.565 | 39 | 27.015 |
| 40.... | 26.125 | 80.... | 26.575 | 40.... | 27.025 |

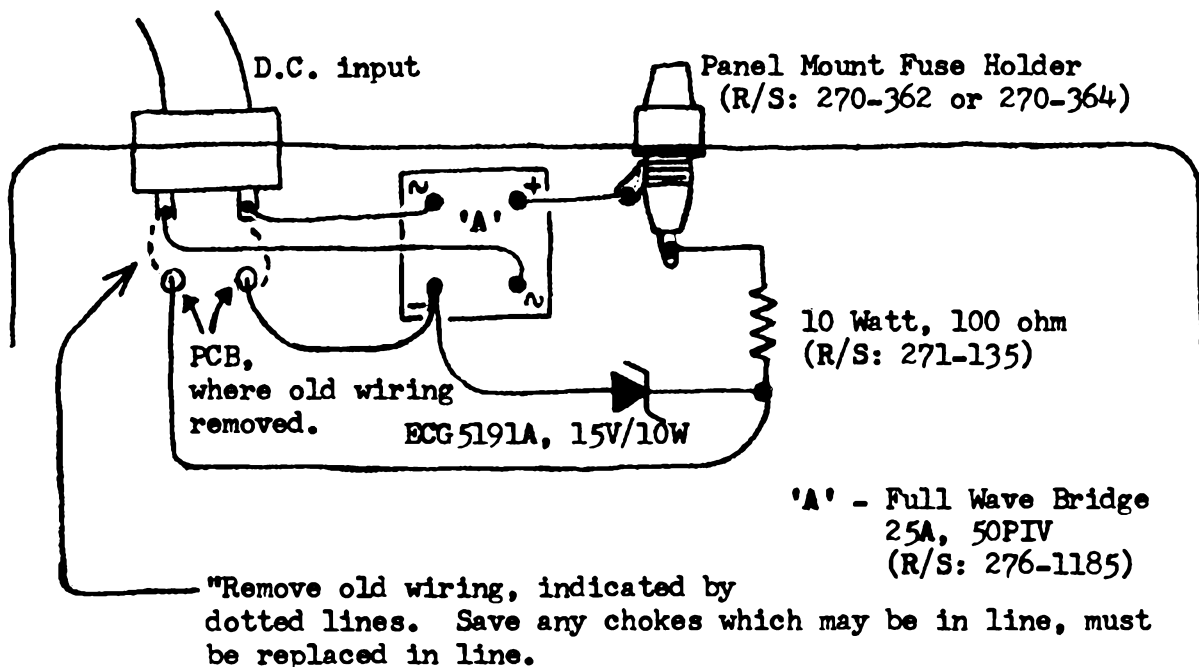
These frequencies are found in addition to the regular 26.965-28.305MHz.

Utilized mostly in the Major M-120, and Marko CB-444.

POLARITY PROTECTOR and OVER-VOLTAGE PROTECTION

RE: Vol. 11, page 60 (Polarity Protector).

Have modified this somewhat by adding over-voltage protection. Had a rash of Trucker's bringing in radios this winter that have been 'Smoked'. All claimed that the correct fuse was in line and did nothing! The truck's electrical system went hay-wire and put out too much voltage! Modified the input to PCB on the units as illustrated below; all components mounted on inside of unit; rear of chassis! Radio Shack has all parts, with exception of Zener Diode...



Use heat sink compound on bridge. All mounting of components done on the inside rear of chassis - if possible. (Be careful when drilling holes, check for metal shaving falling onto the PCB.)

Theory: Hook-up of external wiring will make no difference as to polarity! WITH REGULAR FUSE RATING FOR THE UNIT, any voltage over 15VDC will cause excess current to flow thru the Zener and blow the fuse.

DUOFONE ET-350 (RADIO SHACK) 43-266

I don't like to put information on equipment other than commo in book. BUT, also don't like to see people miss out on a good chance to pick up a cordless phone dirt cheap!

R/S Service Center prices to repair these units; is forcing them to buy new; and dump the old ones for junk prices!

Of the 10+ units have repaired, all but one had problem in the handset: Wire busted on the contacts that allow charging; Dead Ni-Cads (easy to spot, as usually corroded around the vent - take out and recharge separately on charger); D105 open (usually caused by a dead Ni-Cad).

Repairing: Replacing Ni-Cads, DO NOT SOLDER OVER THE VENT HOLE!

When recharging those in a unit, let sit after charging up for a day or two - then check for charge (Always check for current-not voltage-using at least a 10A meter).

Radio Shack 'AA' Ni-Cads are O.K., for direct replacement; but charge up before installing.

D105 (located to left of the socket; connector can be pulled off for access. Use 1N4148 for direct replacement ONLY!

Wire busted on the movable contacts is the other problem.

(Note: the main unit should have 8.8VDC at the contacts, when the disconnect button is down.

Only other problem to occur was cable from unit to phone line open.

My opinion on these Cordless Phones isn't too good. Security wise another handset can be used for eavesdropping/using your line, etc.

SUPERSTAR 95 - LOW Fo MOD

As this unit is strictly AM, and the upper 40 are in the SSB band, have a useless 40 channels. By doing the following can have 26.065-27.405MHz coverage, and utilize the additional 40 on the low

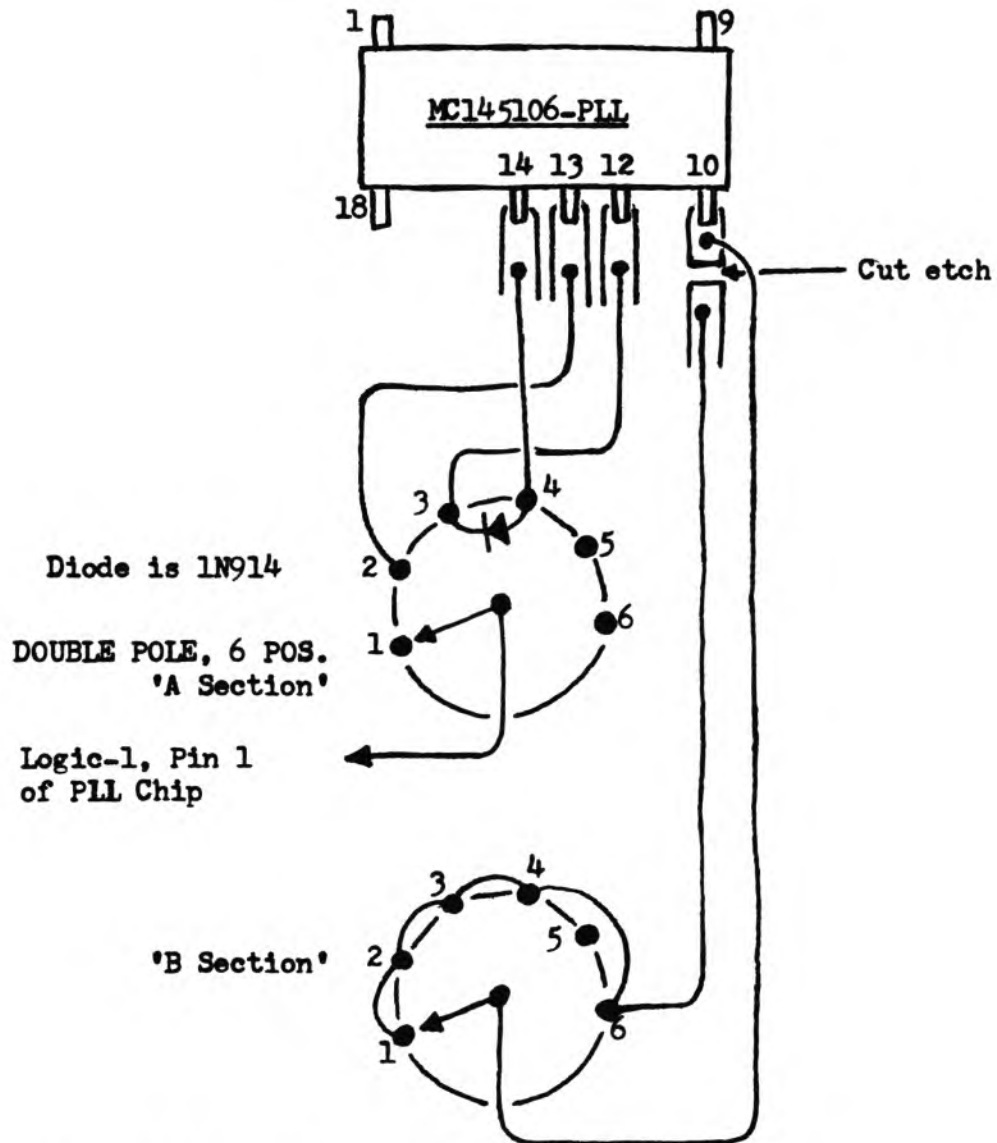
- side:
1. Remove the 15.81 Xtal, put in 'goodie box'.
 2. Remove the 15.36 Xtal, put in where the 15.81 removed.
 3. Remove the 14.91 Xtal, put in where the 15.36 removed.
 4. Obtain 14.46 Xtal, and install where the 14.91 was.

Slight adjustment of L1, L7, L8, L9, may be necessary, in the PLL/Mixer circuits. Also will have to retune the TX and RX circuitry.

All above is only feasible if you can obtain the unit, and cheaply!

148GTL-DX (LATE)
Rotary Switch Modification

Below is modification I use on the 148-DX; it allows a frequency coverage of: 25.745-28.245MHz.



Pos. 1 - Range Switch Lo/Med/Hi; original frequencies.

Pos. 2 - Range Switch Hi; 27.865-27.925MHz, selector pos. 23-31

Pos. 3 - Range Switch Hi; 27.935-28.175MHz, selector pos. 17-40

Pos. 4 - Range Switch Hi; 28.185-28.245MHz, selector pos. 33-40

Pos. 5 - Range Switch Hi; 26.135-26.575MHz, selector pos. 1-40

Range Switch Mid; 25.745-26.125MHz, selector pos. 6-40

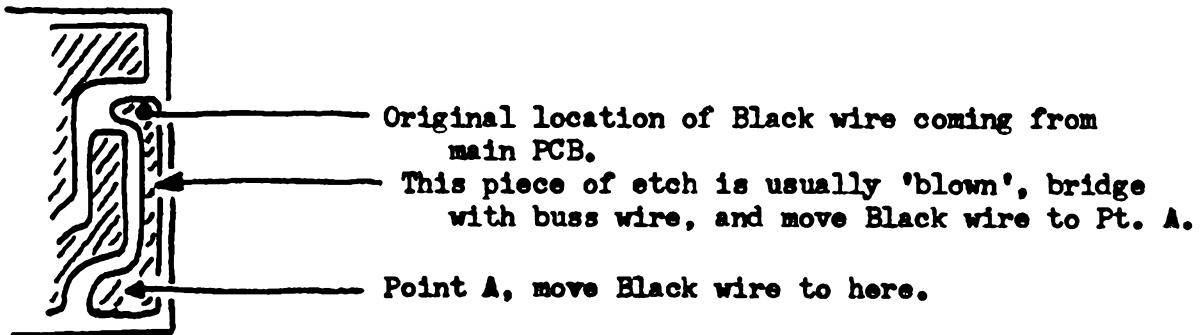
Pos. 6 - Same as Position 1

TRC-210: Chronic Problem

The popularity of this unit with the Trucker's is immense, and so is the hooking up backwards of external power connections. If a fuse over 1.5 Amps is used, the diode won't always 'Blow It'...

Due to design/assembly of unit the D.C. Ground 'feedback' is on an isolated thin piece of etch and 'Fries' it! Repair is simple, with a piece of Buss Wire and moving the Ground Wire. If a unit comes in just move the wire, as will not require complete dis-assembly if you are careful. The small PCB board directly behind the charge/ext. power jack is where modification is done: See drawing below....

Small PCB viewed from bottom of unit.....



Make sure that a 1.5 Amp 'Fast Blow' is used in External line!

HOW TO ORDER CRYSTALS

When ordering from crystal manufacturers order by using the following:

HC18/U - will be cased with solder leads

HC25/U - will be cased for plugging into sockets (Plug in Xtal).

Accuracy - should be .005% or better

Load Capacitance - 32pf for A.M.

20pf for S.S.B.

Usually can be ordered from any of the large crystal manufacturers at an average price of \$7 each. (Plus postage/handling)..

*CHECK SELMAN ENTERPRISES FIRST: we do have a stock of crystals on hand; not that large a selection; but will cut down on your bench time if we do have your needs. We also special order all types & frequencies.

TRISTAR 747

ALIGNMENT PROCEDURE FOR PCB# PTBM121D4X

MAY BE UTILIZED ALSO ON: COLT 320FM; HAM INTERNATIONAL CONCORDE II; AND
HYGAIN V (EXPORT).

VCO & Frequency adjustment:

10.240MHz adjustment - measure at TP2, adjust CT1.

10.535MHz adjustment - measure at TP3, peak point is T1 (AM)

20.105MHz adjustment - measure at TP3, adjust CT2 (USB); +50Hz.

20.1035MHz adjustment - measure at TP3, adjust CT3 (LSB); +50Hz.

(Set in RX condition and check Fo shift for +800Hz in SSB mode using clarifier)....

10.695MHz adjustment - measure at TP5, adjust CT4 (USB); CT5 (LSB);
for 10.695MHz....+50Hz.

SPECIAL NOTE: UNITS WITH AN S METER WHOSE VALUE OF MEASUREMENT
IS OVER 1.5. Adjust USB for 10.695MHz, +100Hz.
Adjust LSB for 10.692MHz, -100Hz.

VCO Voltage adjustment - measure at TP1, adjust coil for 3.6VDC,
+0.1VDC at Ch. 1.

Transmitter & 38MHz RF adjustment:

Set the following: 2.4KHz, 10mV to Mike Input.

T6 - $\frac{1}{2}$ turn up

L8 - $1\frac{1}{2}$ turns up

L14 - 1 turn up

RV2, RV4 - fully clockwise

38MHz RF adjustment - adjust Mike Input signal to obtain 1W of Output
power in USB mode.

Tune T1 for max power at mid Fo.

*Tune T2 for max power at unit's highest Fo.

*Tune T3 for max power at unit's lowest Fo.

*(Repeat above till no further power can be obtained)

11MHz & 27MHz adjustment - LEAVE MIKE INPUT AS SET..

Tune T7 for max power at mid Fo.

*Tune T4 for max power at unit's highest Fo.

*Tune T5 for max power at unit's lowest Fo.

*(Repeat until no further power increase)

TRISTAR 747 ALIGNMENT (Cont.)

Transmitter & 38MHz adjustments (Cont.)

T6, L8, L12, L14, adjustment - LEAVE MIKE INPUT AS SET

Turn RV4 for max power

RV12 to fully clockwise

Peak T6, L8, and L12 for maximum power
across entire Fo band - linear output

*Turn L14 down to obtain at least 78V P-P
output.

*(Recheck this adjustment in AM mode to make
sure no oscillations occur, may have to adjust
down about $\frac{1}{2}$ turn.)

Carrier Leak adjustment - NO MIKE INPUT, adjust in LSB mode.

Turn RV5 and RV6 alternately a few times
to obtain minimum output power.

(Mike input/No Mike input should be at
least 40db difference when adjusted correctly).

SSB Output Power adjustment - (See Spec's *A and *B) TX in USB.

Adjust RV12 for 'Carrier Output' (*A) V P-P
at 2.4KHz, 10mV input.

Adjust RV4 for 'Carrier Output' (*B) V P-P
at 2.4KHz, +500Hz; 2 tone.

NOTE: Scope two-tone input, make sure is
correctly adjusted for closed output waveform.

*A. RV12 adjust - SSB Output

10W P-P Model - 70V-73V P-P (2.4KHz, 1 Tone)

0.5W P-P Model - 18V-20V P-P (1.25KHz, 1 Tone)

*B. RV4 adjust - SSB Output

10W P-P Model - 64-67V P-P (2.4KHz, +500Hz;
two tone.)

0.5W P-P Model - 12.7-14.5V P-P (1.25KHz only)

CAUTION: When adjusting 0.5W (1 tone) model,
turn RV2 to full CW and fix to protect Xstr
damage on final stage. Exception-model on
which linearity (for 2-tone waveform) is fairly
wrong.

Model using 2SC1969/equiv., possible to turn
RV2 fully CCW, but adjustment depends on the
linearity.

AM Output Power adjustment - (See Spec. *C) TX in AM mode.

Adjust RV13 to get RF Carrier Output (*C) no
microphone input.

*C. RV13 adjust - AM Output, NO mic. input.

4W Model - 3.5-3.95W

0.5W Model - 0.4-0.5W

TRISTAR 747 ALIGNMENT (Cont.)

Transmitter & 38MHz adjustment (Cont.)

"Set Meter" adjust - adjust RV3 until matches 'Power Meter' value.

AM Modulation adjustment - Mic. input at 1.25KHz, 100mV
Adjust RV14 to 100% modulation.
Re-set Mic. input 20db down from above,
check that modulation becomes 80-95%.

FM Deviation adjust - Set TX to FM, Mic. Input at 1.25KHz 10mV;
use lowest freq. channel in unit.
Connect Linear Detector to RF Power Meter.
(See Spec. *D), adjust RV1 for deviation.

*D. RV1 adjust (FM Deviation)

40 Channel unit — 1.5KHz at channel 1 or
lowest frequency.

120 Channel unit - 2.5KHz at channel 120 or
(80 Channel) highest frequency

Receiver Alignment:

AGC voltage adjustment - terminal #14 is test point, adjust RV9
for 1.8-2.0VDC; USB mode with nothing on
antenna input - maximum front panel RF GAIN

SSB RX output adjustment - Sig Gen and unit both set to unit's center
frequency. Clean signal on Sig Gen!
Max Volume, Min SQ, Max RF gain, DX,
Clarifier on center, ANL off, NB off;
settings for radio.
Adjust Delta Tune/Clarifier for a 1KHz
audio output.
Adjust T9, T10, T11, T12, and T8 for
max output - use scope!
(Audio Output should be over 500mW at
0.5_mV input from Sig Gen.)

AM RX output adjustment - Sig Gen and unit both set to unit's center
frequency, switch to AM mode, and 1_mV input.
Adjust T13, T14, and T15 for max audio output.
(Audio Output should be over 500mW)
READJUST: T9 Clockwise to get optimum Signal
to Noise ratio (about $\frac{1}{2}$ to 1 turn).

AM & SSB sensitivity - Confirm that S+N/N = 10db less than:
1_mV Sig Gen output in AM mode.
0.5_mV Sig Gen output in SSB mode.

FM RX adjustment - unit to FM mode, no connection to antenna.
Adjust T16 and T17 for maximum, then adjust volume
for noise output of 500mW.
Apply Sig Gen (1.5KHz Deviation, 1KHz Modulation),
and re-adjust T17 for peak. NOTE: 3 different peaks!

TRISTAR 747 ALIGNMENT (Cont.)

Receiver Alignment (Cont.)

S Meter adjustment - Sig Gen output of 100_mV
Adjust RV7 in AM mode, and RV8 in SSB mode for a
meter reading of S-'9'.

Squelch adjustment - Sig Gen output to 500_mV, Squelch to maximum on unit.
Adjust RV10 until audio generates in AM mode.
Adjust RV11 until audio generates in SSB mode.

Verify other receive controls operate: RF Gain, Local/DX, ANL, NB, etc.

PTOS011A0X - Alignment (Extra Crystal Oscillator board).

Frequency adjustment - probe to TP3 on main PCB (PTEML21D4X) and adjust
T1 of OS011 board for carrier peak, with the
Clarifier to center, USB mode.
Match up the crystal frequencies of X1, X2, X3,
to the Low/Mid/High switch positions..
RE: Low - X1, 20.105MHz adjust CT1; +50Hz.
Mid - X2, 20.330MHz adjust CT2; "
High - X3, 20.555MHz adjust CT3; "
NOTE: there is one model which uses a 19.880MHz
crystal, and must be matched per wiring.
Switch to LSB mode, Mid position, and adjust
CT4 for 1.5KHz lower frequency than obtained
when adjusting in USB mode.
RE: 20.330MHz, -1.5KHz = 20.3285MHz (+50Hz)
Check that all the crystals shift down by this
amount (+300Hz).

Confirm that units meet respective Clarifier/Tune specifications.

VCO Voltage adjustment - probe to TP1 of main PCB.
Low channels - adjust VCO Block core on Ch. 1 (3.6V)
Mid channels - adjust RV1 on OS011, Ch. 1 (3.7V)
High channels - adjust RV2 on OS011, Ch. 1 (3.9V)
NOTE: This order depends on unit's wiring.
CAUTION: If PLL locking disorder appears when
placed on highest frequency channel. The voltage
on Ch. 1 may have to be increased to no higher than
4.3V

"FACTORY CLARIFIER MODIFICATION"

Remove D-7 on the main board. Remove R-18 and insert between the center
terminal on Clarifier potentiometer and terminal #5 of main board.

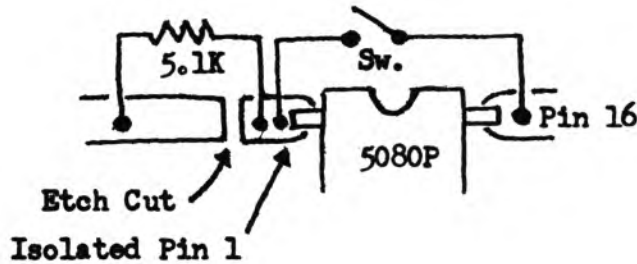
Add following parts to OS011 board: D-5, D-6 (ITT310); R-9, R-10 (100K).

Connect terminals #7 and #10 on OS011 board together.

TC-5080P (UPDATE) 5KHz DROP

Check out Pin 1 on the TC5080P chip, should have it tied to ground. Isolate the pin from ground by cutting etch. Bridge the cut with 5.1K $\frac{1}{4}$ W 5% resistor. Using a toggle switch between Pin 1 and Pin 16 of the chip will enable the 5KHz drop.

CHASSIS: TRAM D42, D62; KRACO KCB-4090, KCB4095; COBRA 32XLR, 86, 87XLR, 132XLR, 135XLR; SEARS 562.3820; BROWNING Baron, Sabre, SST-2; SHARP CB750A, CB800A, 2260, 2460.

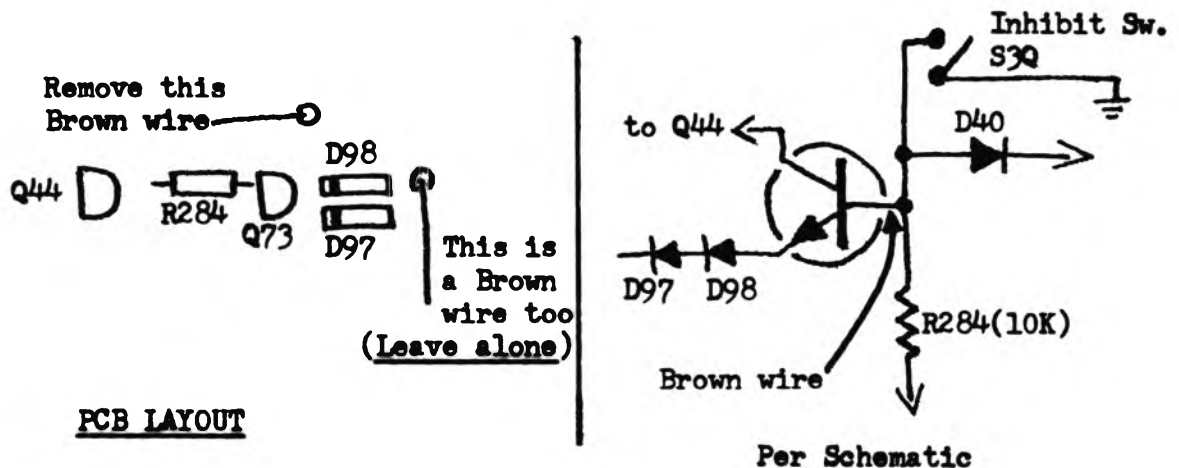


NOTE: Drawing is only an explanation of modification, not actual layout!

YAESU FT-757 GX/SX

TO TRANSMIT ACROSS THE ENTIRE RECEIVE BAND (1.5 to 30MHz)

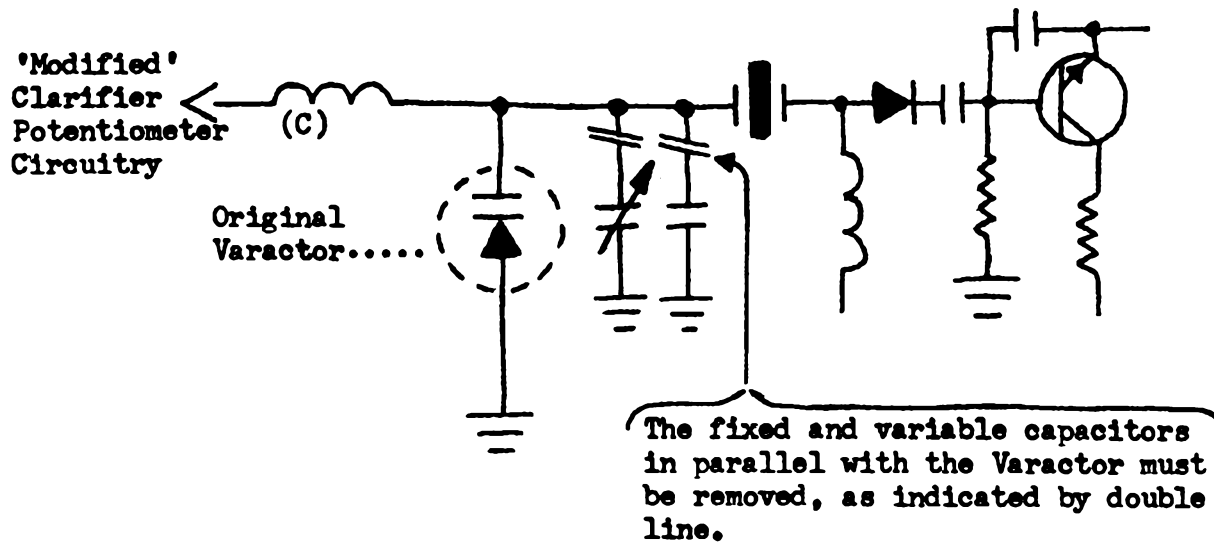
1. Remove bottom cover from radio. This will give you access to bottom PCB. (Unit has double PCB, back to back.)
2. Locate Q73 (2SC458B) on center of board-right hand side, front facing you.
3. Locate Brown wire tied into center leg of Q73. Remove this wire from PCB board.
4. Unit will now transmit over entire range.
5. See drawings below to make sure you get the right wire!



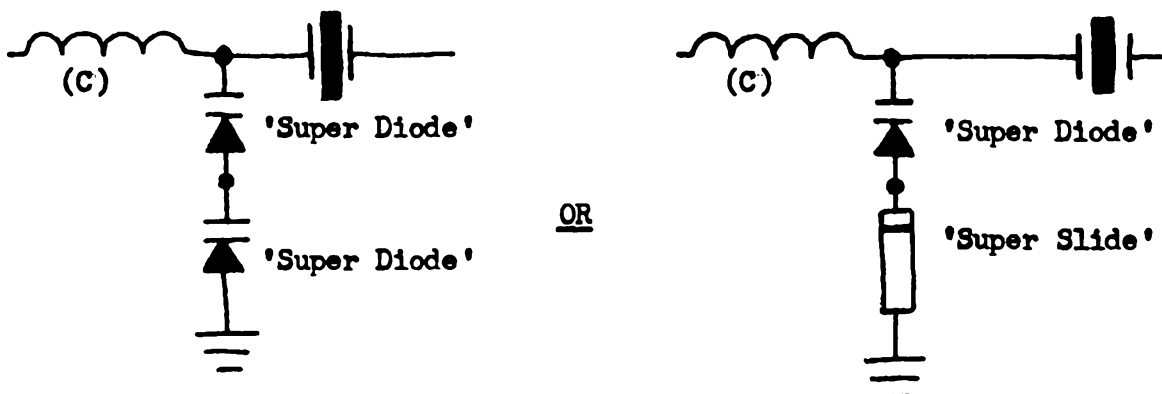
SUPER CLARIFIER DIODE & SUPER SLIDE

General installations, and circuitry modifications for slide.

For example will use one section of 858 SSB chassis for slide only:



1. Remove original varactor and place 'Super Diode' in it's place. ALL PARALLEL CAPACITANCE BETWEEN THE COIL (C), AND CRYSTAL MUST BE REMOVED... In most circuits will give about 8KHz + of 'slide', in the 858 chassis must use 3 diodes, one for each crystal oscillator circuit.
2. For even further slide; two may be used in series or; a 'Super Slide' can be used in series to ground with the 'Super Diode'. (See Below:)



NOTE: Circuitry is shown with parallel capacitors taken out as required.

The amount of slide is determined by the crystal itself, and design of circuitry. With the 'Super Slide' can usually achieve 20KHz +..

The 'BANDED' end of both the 'Super Diode', and 'Super Slide' are always positive,..(furthest from ground in modification).

SUPER DIODE will read shorted on VOM; so don't worry about it; install as shown - and go for it!

BONUS - HAVING TROUBLE BROADBANDING ON UNITS?

The chip will do it, but the chassis won't stretch that far when modifying! Try a 'Super Diode' in the VCO circuit; exchange the regular varactor in circuit; and up comes your frequency.

I actually use more 'S-Ds' in the VCO's than in the clarifier mods! Been doing this for over 7 years with no problems, and range/stability is great... (Stretch an O2A AM Chassis out to about 2.5MHz with no effort, except careful tuning of PLL circuits.)

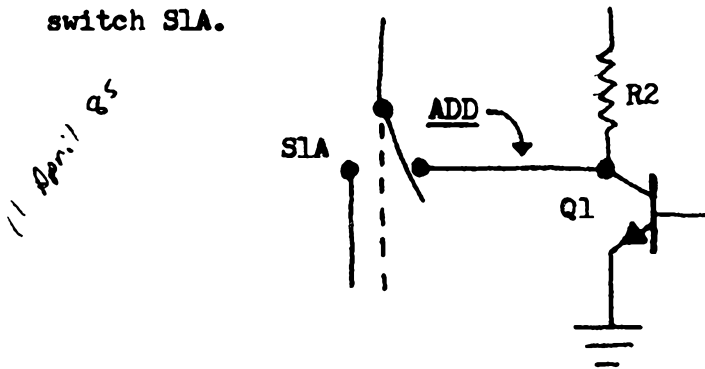
.....ROYCE OWNERS.....

Response was fast on this one, letter from company before April!
Newcomm Electronics
1805 Macon
North Kansas City, Missouri 64116
RE: J. Burton

"Newcomm Electronics bought out the Royce parts, and service Royce!"

- - CORRECTION - -
10KC FLIP-FLOP, SCB Vol. 18, Pg. 23

See partial drawing below: ADD - line from collector of Q1 to switch SLA.



*** REQUESTS ***

Have had multiple requests for PLL chip mods for the following chips in SSB units...

O2A - See Volume 4, page 54-55.... 25.675-28.235MHz, logic tables.

SM5104 - See Volume 6, page 26-27.... 26.325-28.045MHz, switch arrangement.
Volume 9, page 20-22.... 26.485-28.205MHz, switch arrangement.

(Ed. Note:) I do not reprint previous information, if can be avoided.....

HINTS / KINKS / GOOFS

Response hasn't tapered off with this column, in fact have utilized most of the information sent in elsewhere. Thus contributors received a 'free volume'. Look at Contributors List on Volume 18!!!

(Remember items appearing here do not receive a free volume, and column not indexed.)

MB Chassis: Audio Chips (AN612) going bad? No cause found, just replace for now.

MB Chassis: No TX, Fo's are O.K..... If AN612 is O.K., check the S042P TX Mixer chip.

COBRA 2000GTL: Turn up the power supply voltage to maximum of 16VDC. Gives a power increase of about 3 Watts.

CAUTION...LAST TIME... SEARS/JC PENNEY UNITS—tunable slugs have SQUARE holes, be careful.

BONANZA....Radio Shack Regulated Power Supply 22-124A... Seems that the stores are not bothering to have these units repaired due to their own labor costs. Have been able to pick up for \$5 locally, (don't give more than that because if transformer is the problem-YOU LOST!). Have found that the main problem is either the circuit breaker or thermal switch in transformer's primary.

COBRA 139XLR: Check for missing part; R43 should be 680K, if there change to a 1.5M. have found 2 units in a row with part missing!

REALISTIC TRC-448: Trouble getting the band in and stable when Fo modifying? Change the VCO Varactors; 2 in this unit; to 'Super Diodes'. And your problem will vanish. (D-5, and D-6).

SAMS #251...Correction: TRC-448; pg. 113. T209 is really T202, correct it.

Junked out Base Stations--Remove the Power Supplies, mount in new cases. Add switch, indicator light, fuse, and D.C. Output jacks....Even better is two to three in parallel for higher current output!(SEE PAGE 63).....

148GTL-DX: Trouble with warble/noise on Tx? Changed to ECG and GE equiv. also 2SC1307, with no luck. Finally used MRF455 (60W Flange Mount), and cured problem. (Ed. Note: before doing all this, check bias on final.)

*SUPERSTAR 2000's: A quick check of these found that the 50ch. selector unit comes in a Green box. While the 40ch. selector unit is in Blue box...

COBRA 148GTL-B: Early 'import' version had 60 Chnls., Late version had an additional 60 Chnls on the lower side, (utilized the Tone Switch as a Band Switch).

VIDEO - GOOF/TIP

READ - IMPORTANT: I recently recorded 'dubbed' a tape for friend on my machine. When he tried to playback at home, was a mess!

Brought it and his machine over - correct; was a mess; but OK on my machines (all three). TROUBLE: His machine was 4-head, all of mine are 2.

Re-dubbed using his machine solved all the problems. I don't know if this will happen all the time - but, check out before you waste time!

NOTE: This was in VHS Format, don't know about BETA.----Also now the 5-head machines are on the market, good luck!

FREQUENCY CHART

MB8719 with 11.1125 Crystal

RE: Vol. 18, page 74. Rotary Switch/10KHz Flip-Flop Layout.
 This is the frequency chart for that modification. (FF, denotes: 10KHz Sw. ON)

| CH. | #1 | #2 | #3 | #4 | #5 | #6 |
|-------|--------|--------|--------|--------|--------|--------|
| 1 | 26.325 | 26.965 | 26.965 | 26.965 | 27.605 | 27.605 |
| 2... | 26.335 | 26.975 | 26.975 | 27.015 | 27.615 | 27.615 |
| 3 | 26.345 | 26.985 | 26.985 | 27.025 | 27.625 | 27.625 |
| 4FF* | 26.355 | 26.995 | 26.995 | 27.035 | 27.635 | 27.635 |
| 4 | 26.365 | 27.005 | 27.005 | 27.045 | 27.645 | 27.645 |
| 5... | 26.375 | 27.015 | 27.015 | 27.015 | 27.655 | 27.655 |
| 6 | 26.385 | 27.025 | 27.025 | 27.025 | 27.665 | 27.665 |
| 7... | 26.395 | 27.035 | 27.035 | 27.035 | 27.675 | 27.675 |
| 7FF* | 26.405 | 27.045 | 27.045 | 27.045 | 27.685 | 27.685 |
| 8... | 26.415 | 27.055 | 27.055 | 27.095 | 27.695 | 27.695 |
| 9 | 26.425 | 27.065 | 27.065 | 27.105 | 27.705 | 27.705 |
| 10... | 26.435 | 27.075 | 27.075 | 27.115 | 27.715 | 27.715 |
| 11 | 26.445 | 27.085 | 27.085 | 27.125 | 27.725 | 27.725 |
| 12FF* | 26.455 | 27.095 | 27.095 | 27.095 | 27.735 | 27.735 |
| 12 | 26.465 | 27.105 | 27.105 | 27.105 | 27.745 | 27.745 |
| 13... | 26.475 | 27.115 | 27.115 | 27.115 | 27.755 | 27.755 |
| 14 | 26.485 | 27.125 | 27.125 | 27.125 | 27.765 | 27.765 |
| 15... | 26.495 | 26.815 | 27.135 | 27.175 | 27.455 | 27.775 |
| 15FF* | 26.505 | 26.825 | 27.145 | 27.185 | 27.465 | 27.785 |
| 16... | 26.515 | 26.835 | 27.155 | 27.195 | 27.475 | 27.795 |
| 17 | 26.525 | 26.845 | 27.165 | 27.205 | 27.485 | 27.805 |
| 18... | 26.535 | 26.855 | 27.175 | 27.175 | 27.495 | 27.815 |
| 19 | 26.545 | 26.865 | 27.185 | 27.185 | 27.505 | 27.825 |
| 20FF* | 26.555 | 26.875 | 27.195 | 27.195 | 27.515 | 27.835 |
| 20 | 26.565 | 26.885 | 27.205 | 27.205 | 27.525 | 27.845 |
| 21... | 26.575 | 26.895 | 27.215 | 27.255 | 27.535 | 27.855 |
| 22 | 26.585 | 26.905 | 27.225 | 27.265 | 27.545 | 27.865 |
| 23... | 26.615 | 26.935 | 27.255 | 27.255 | 27.575 | 27.895 |
| 24 | 26.595 | 26.915 | 27.235 | 27.275 | 27.555 | 27.875 |
| 25... | 26.605 | 26.925 | 27.245 | 27.285 | 27.565 | 27.885 |
| 26 | 26.625 | 26.945 | 27.265 | 27.265 | 27.585 | 27.905 |
| 27... | 26.635 | 26.955 | 27.275 | 27.275 | 27.595 | 27.915 |
| 28 | 26.645 | 26.965 | 27.285 | 27.285 | 27.605 | 27.925 |
| 29... | 26.655 | 26.975 | 27.295 | 27.335 | 27.615 | 27.935 |
| 30 | 26.665 | 26.985 | 27.305 | 27.345 | 27.625 | 27.945 |
| 31... | 26.675 | 26.995 | 27.315 | 27.355 | 27.635 | 27.955 |
| 32 | 26.685 | 27.005 | 27.325 | 27.365 | 27.645 | 27.965 |
| 33... | 26.695 | 27.015 | 27.335 | 27.335 | 27.655 | 27.975 |
| 34 | 26.705 | 27.025 | 27.345 | 27.345 | 27.665 | 27.985 |
| 35... | 26.715 | 27.035 | 27.355 | 27.355 | 27.675 | 27.995 |
| 36 | 26.725 | 27.045 | 27.365 | 27.365 | 27.685 | 28.005 |
| 37... | 26.735 | 27.055 | 27.375 | 27.415 | 27.695 | 28.015 |
| 38 | 26.745 | 27.065 | 27.385 | 27.425 | 27.705 | 28.025 |
| 39... | 26.755 | 27.075 | 27.395 | 27.435 | 27.715 | 28.035 |
| 40 | 26.765 | 27.085 | 27.405 | 27.445 | 27.725 | 28.045 |

PACIFIC 800 SSB (UPDATE)

Why didn't someone mention that the PCB on this particular unit has no markings for parts designation? Hard enough to find schematics; and line-ups on 'Exports'; but a parts layout? GOOD LUCK...

I did notice one thing about the PCB itself. Seems that the same board is used for another unit as had places for additional crystals. BEWARE of another popping up from the same outfit (Re: Petrusse Pacific 160).

Out-of-box, was O.K. and didn't want to do much in way of 'poking' around, as didn't know what-was-what. One thing I will say about the unit is that the RF Gain, and Noise Circuitry are excellent!

Played with PLL logic (no realignment to circuitry) to see just how far unit would stretch and keep power up, pleasant surprise here. 26.325-28.320MHz (in 10KHz and 5KHz increments) as this chip is very versatile. Also see Vol. 18, for Slide/Fo mod.

| <u>Frequency</u> | <u>Selector</u> | <u>Band Switch</u> | <u>PLL Logic Strapping</u> |
|------------------------------------|-----------------|--------------------|----------------------------|
| 26.325-26.685 | 1-32 | A | 11-0 |
| 26.510-26.730 (5KHz increment) | 1-40 | A | 6-0 |
| 26.775-27.135 | 1-32 | B | 11-0 |
| 27.790-28.010 (5KHz increment) | 1-40 | A | 6-0, 9-1 |
| 27.865-27.965 | 22-32 | A | 10-1, 11-0 |
| 28.055-28.375 | 1-28 | B | 10-1, 11-0 |
| 28.240-28.380 (5KHz increments) | 1-25 | B | 6-0, 9-1, 10-0 |

Logic 1 - Pin 1 of PLL; may be applied directly to pin. (Exception-Pin 9, must be isolated from D.C. Ground by 5.1K resistor first.)

Logic 0 - Open line to pin from selector. (Chip has pull-down resistors built in.)

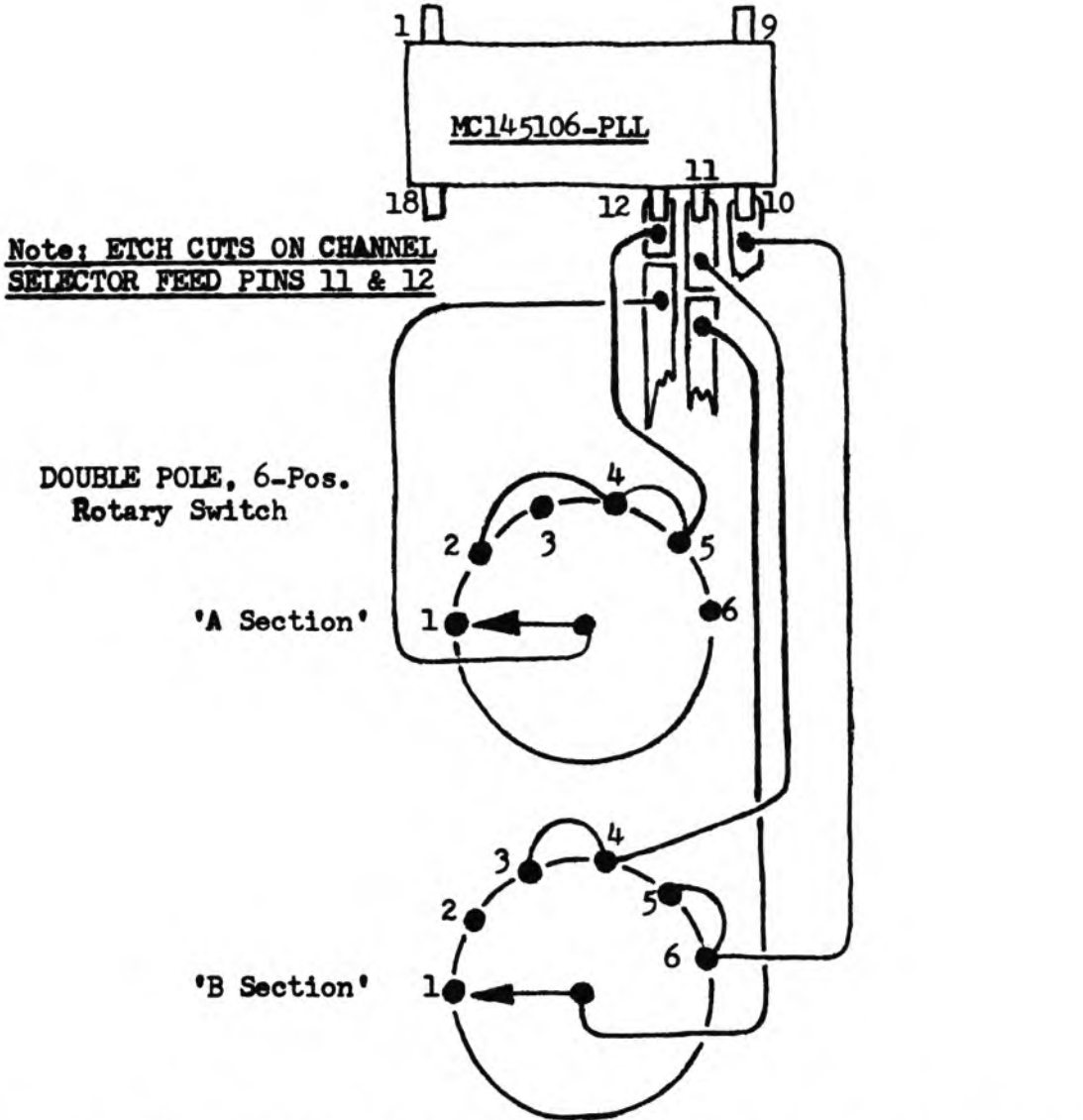
Pin 6, has no connection on the PCB.

Put Slide/Fo conversion from Vol. 18 in unit and 'let it go at cost', with "2 step warranty"!!

WOULD LIKE TO HAVE ANOTHER BUT ONLY IF I CAN OBTAIN THE PARTS LAYOUT, UNTIL THEN CAN COLLECT DUST ON THE 'DEALERS SHELVES'....

PACIFIC 800 SSB (UPDATE)
Rotary Switch Modification

Below is modification I use on the Pacific 800 SSB; it allows a frequency coverage of: 26.225-28.415MHz.



- Pos. 1 - Range Switch 'A'.. 26.225-26.365MHz, selector pos. 19-32
- Pos. 2 - Range Switch 'A'.. 26.325-26.685MHz, selector pos. 1-32
- Pos. 3 - Range Switch 'A'.. 26.695-27.005MHz, selector pos. 5-32
- Pos. 4 - Range Switch 'A'.. 26.965-27.405MHz, selector pos. 1-40
Range Switch 'B'.. 27.415-27.855MHz, selector pos. 1-40
- Pos. 5 - Range Switch 'A'.. 27.605-27.965MHz, selector pos. 1-32
Range Switch 'B'.. 28.055-28.415MHz, selector pos. 1-32
- Pos. 6 - Range Switch 'B'.. 27.785-28.095MHz, selector pos. 5-32

LAFAYETTE 2400FM

'Out-of-the-Box' performance: Modulation 40%, AM/FM Power-Good, SSB Power-Fair, Receive Good. Major discrepancies: No schematic, '90-day wonders' on the Final and Driver, NO heat sink compound. Cold solder joints and bad wire connections found also, plus this particular unit had no Owner's Manual. A hand-written frequency chart (Zerox copy) was with the unit? Covers didn't fit right.

| Frequency | <u>RF Power (Out-of-box)</u> | | | |
|-------------|------------------------------|-----------|------------|-----------|
| | | <u>AM</u> | <u>SSB</u> | <u>FM</u> |
| 26.065 | H | 8 | 10 | 12 |
| | M | 4 | 8 | 9 |
| | L | .75 | 2 | 3.1 |
| 26.955 | H | 8 | 10 | 12 |
| | M | 4 | 8 | 9 |
| | L | 1 | 2 | 3 |
| 27.855 | H | 9 | 10 | 10 |
| | M | 5 | 8 | 7.5 |
| | L | 1.5 | 2 | 2.5 |
| 28.755 | H | 9.5 | 9 | 10 |
| | M | 5.5 | 7 | 7 |
| | L | 1.5 | 1.75 | 2.1 |

Performance after alignment: SSB power up to 14W, and AM modulation 98%.

"Quote: Personal Opinion-Wouldn't have the D__ thing!!!"

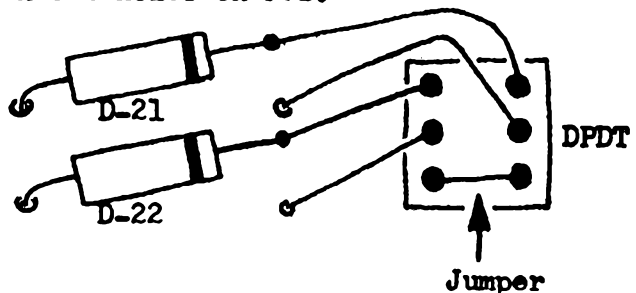
- - - - - W A R N I N G - - - - -

BEWARE OF EXCEEDING POWER RATING OF ANTENNA. Customer recently brought back a MELTED DOWN Bandit Antenna. When asked how much power he was using? Said, 'Oh, about 300 Watts!' Had warned him not to exceed 100W! He also returned Fryed Linear and Zapped TRC-449. A Shame, \$\$\$\$\$.....

Modulation Switch - 858 SSB CHASSIS

Lift Cathodes of D-21 and D-22, clean out holes on PCB.

Wire to a DPDT switch as shown:



TROUBLE-SHOOTING TIP - 858 SSB CHASSIS

Had a phone call on this one; 'stuck on 23.3MHz'?? Told to double-check the PLL alignment, Oscillators, and Clarifier mod.-if any. Sat down with a schematic to see what else could possibly cause the problem, and wrote to man what might do it.

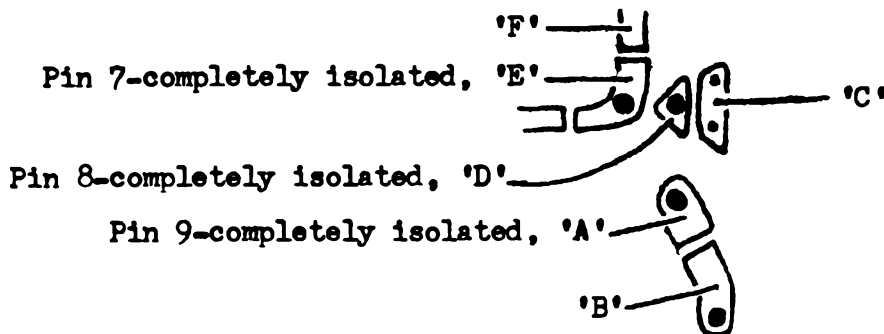
Re'vd letter back in a week; no-go; still bad... Pulled out my own unit to try and see if I could duplicate condition, as positive that the alignment was problem. I screwdriver-jockeyed the entire transmit and PLL circuit alignment on purpose, - BINGO. I had the same 23.3MHz!

Found the problem after doing a complete realignment, SLOWLY! L-37! It can be adjusted for peak power but on a harmonic oscillation. The coil section nearest FET-6 is the one, adjust for peak power: Take core to top of can, then adjust down for the first peak reading. If you have broadbanded the unit; and 'extra channels' in also; be very careful.. Good Luck, as will have to balance out the power!

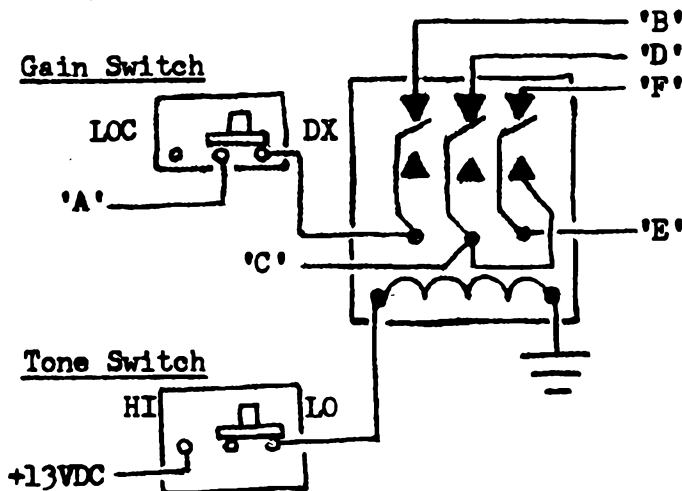
148GTL-B, High/Low Modification

For this modification the following switches were 'hard-wired' and used for logic switching: RF Gain (Loc/Dx), and Tone (High/Lo).

PLL chip must have the etch cut in the four indicated places to isolate the pins. See below-only the modified pins are shown...



Wire up relay as shown below to switches and PLL etchs (Pts. A - F).



(Both sw's shown in Lo Fo position)

FREQUENCY RANGE CHART

1. Tone-Hi, Gain-DX
26.965-27.605MHz
Selector: 1-60
2. Tone-Hi, Gain-LOC
27.605-28.245MHz
Selector: 1-60
3. Tone-Lo, Gain-DX
26.325-26.955MHz
Selector: 1-60

NOTE: VCO alignment is critical to reach extreme ends of band.

BLEED-OVER FILTER (UPDATE)

RE: Vol. 16, Page 40... Can't find many now, as everyone has pulled out of the junk chassis? GOOD NEWS: Radio Shack, #272-1302; 455KHz Ceramic Filters (2 in the pack); and only 99¢. BEST & WORST NEWS: Work like a champ, - Discontinued! Have been able to buy up all in my area for 1/2 price; so start buying; cheaper to buy than scrounge around!

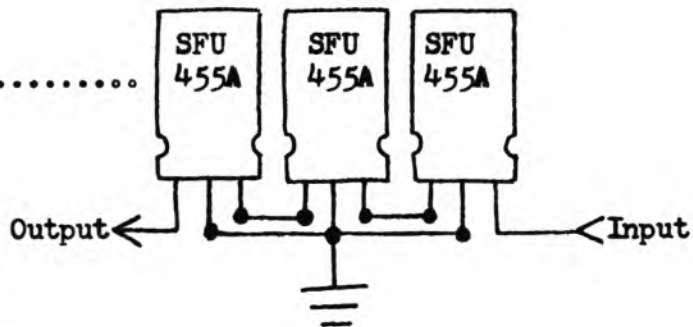
Rewire as below: (I use 3 of them in series, for even better rejection!).

Individual Filter

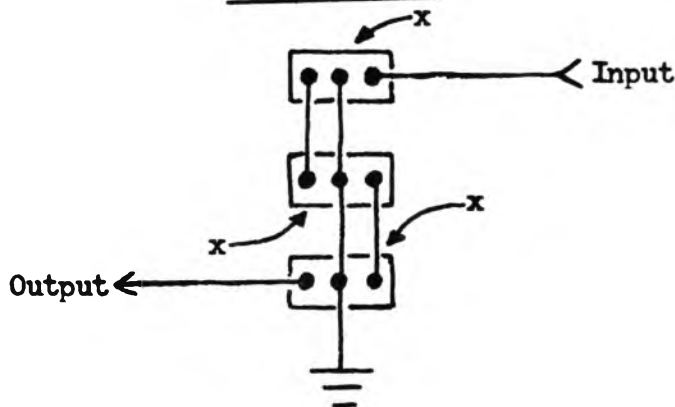


Lettering Sides.....
1-Input
2-Ground
3-Output

Schematic Wiring



Wiring Layout



X - denotes lettering side of filter. Units have been left separated in drawing for better explanation. I usually put some tape around to hold in place, then enclose all in one piece of heat shrink.

- - - CORRECTION - - -

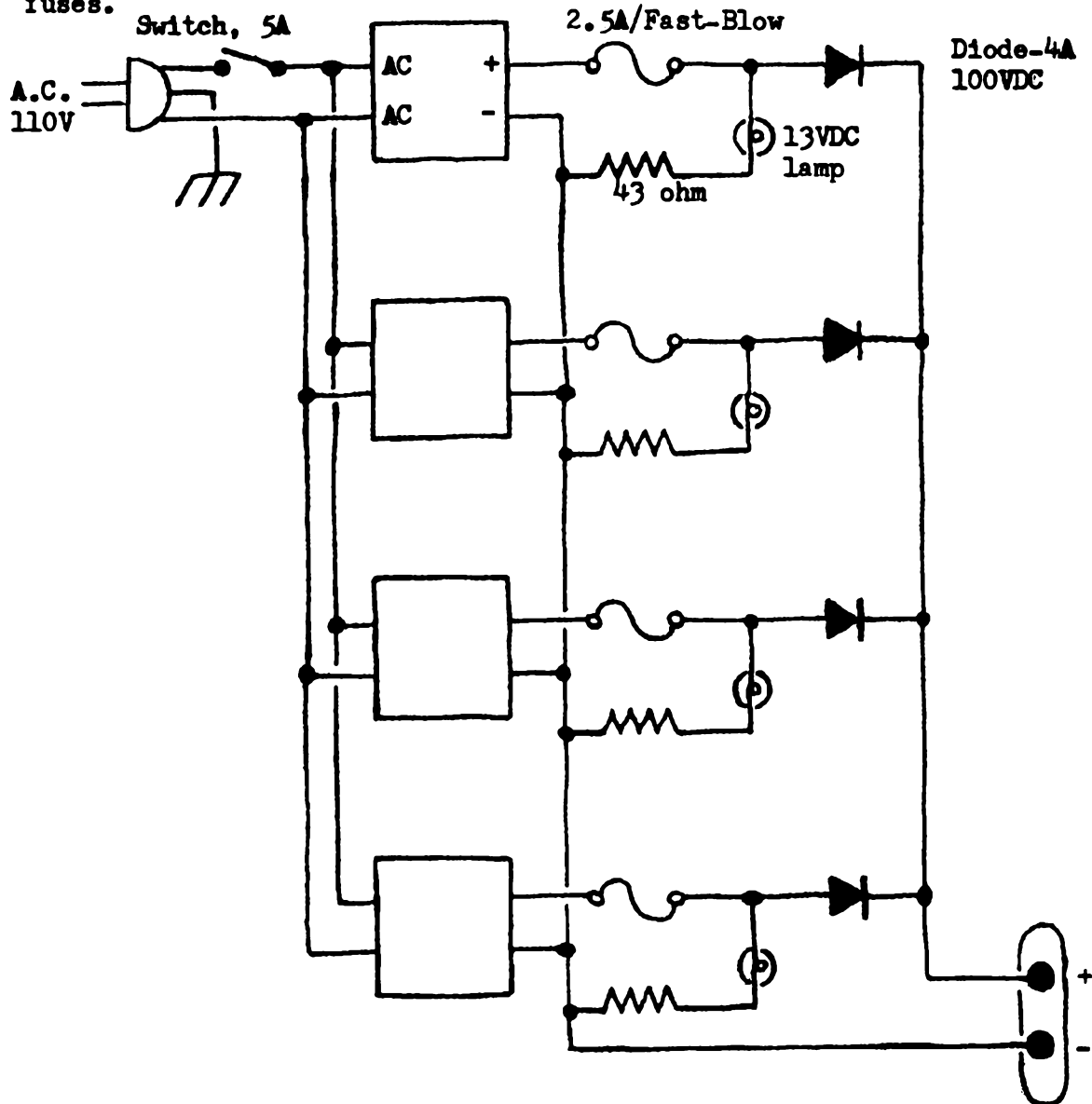
148GTL-DX: LATE (UPDATE), SCB Vol. 18, page 26.

5th line down: " to de-beep the newer board (pb-010AB): locate C162 (2.2mf/25VDC) and remove it " - DELETE: C162 (2.2mf/25VDC) and remove it.
CHANGE TO: locate wire marked BEEP on the PCB, and remove - or add a switch in series.

'SALVAGE OF POWER SUPPLIES'

RE: Hints/Kinks/Goofs, page 56. Use design below for assembly, as a guide. Used a block diagram for the salvaged power supplies, including transformer. CAUTION: Make sure that all A.C. lines are thoroughly insulated from the case, or use 3-prong plug/3-wire AC line for grounding.

Parts are listed for the 1st section only - check schematic for each power supply you scrounge and change fuse accordingly. NOTE: most AM base units had 2A rating, SSB 3A rating. But when used in parallel the lowest rating of any must not be exceeded by any other. Identical fuses.



The lamp circuit will determine if any fuse has blown, or P/S inoperative. Diode is to prevent 'feedback' into any particular power supply unit.

VIDEO TAPE

MY, experience with the various brands of video tape and preference!

First things to always remember about Video Tape; BUY NAME BRANDS ONLY.

Tape companys are popping-up, like the weeds will in my garden come May!

Not only will your machine suffer the consequences of the "cheap" tape; your billfold will have a STROKE; come repair time. In some cases you will find it cheaper to buy a new machine, for the warranty alone!

Who makes the tape for whom? (Good question-but am not too sure on the real facts-due to who own's who?)... FACT: Radio Shack owns Memorex; so that puts the rumor to sleep that it is an 'Off-Brand'. The price on Radio Shack brand is usually \$3-4 higher than Memorex; as the main company sets the price; not the local stores.

FACT: JVC owns the VHS trademark, and all tape that meets their standard will have VHS on the cassette and outer box.

I use the following for MY uses: Remember this is my opinion!

Everyday - tape regular programming and replay, over and over.

Name Brand T-60: A local discount store couldn't sell the stuff when T-120 was going for only \$2 more, so got a deal on 3 cases of it for \$85. I use T-60 in 6 hr. mode as will cover the whole 3 hrs. of prime time TV in my area. Also use all the tape; not just a portion; over and over. (T-60 isn't a big seller and can literally steal it if you go together with a bunch of people and get 4 or more cases at a time. HINT: Try local Video stores where they rent tapes, as usually stuck with it!)

T.V. Programs and Series for re-edit to a "Master Tape".

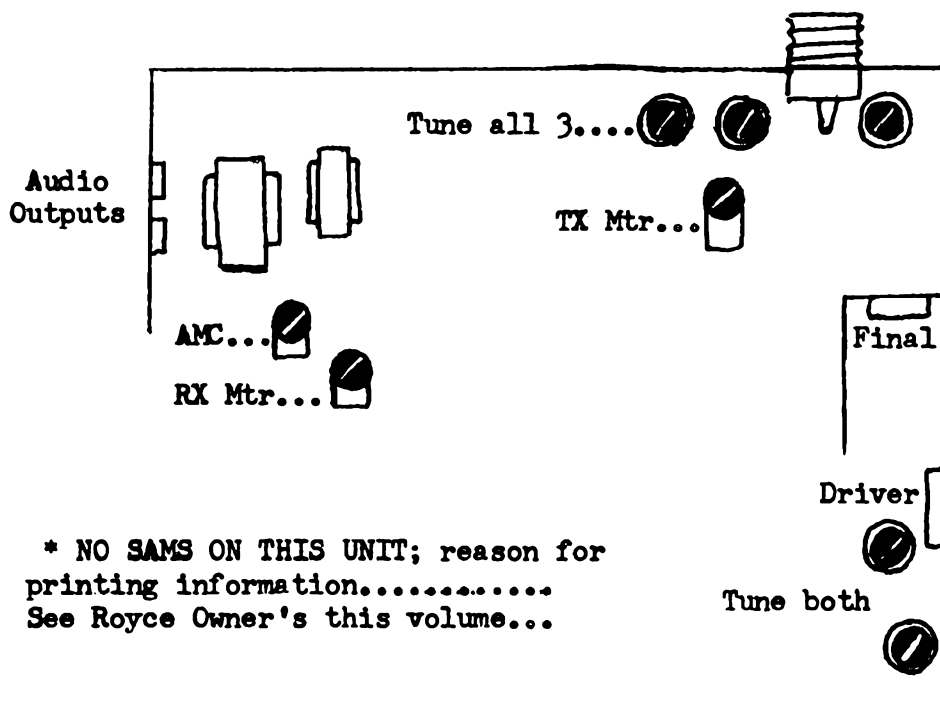
(Am doing the 2 'Helicopter Series' for my nephew, keeps him quiet!) PBS - 'Masterpiece Theater' is excellent, and definetly a keeper... When taping for re-edit to a Master, I tape in 2 Hr. mode with Memorex. (Not High Grade, as something just isn't right with it - tried in 3 different machines to see if it was mine)!

"Master Tapes" - Taped in 6 Hr. mode with Scotch! I have heard salesmen try to talk people out of buying Scotch, saying that it was no good. The reason for this is not only a lack of knowledge about what they are selling, but are there to sell a higher priced tape for more money in their pocket on commission! FACT: Best Signal-to-Noise-Ratio on the market, only Scotch High-Grade can beat it! Have used over 300, and had 1 bad tape-which was mechanical malfunction in the cassette itself-not the tape! Also it is a 'softer' tape and easier on the VCR's heads! (Don't let people tell you they have to give a rebate to sell the tapes --- It is DAMN GOOD, the best in my opinion!)

Camera Recording - No recommendation or preference, as haven't had a camera stay operational long enough to form an opinion. I do have a friend that tapes all the local H.S.'s Football and Basketball Teams games and swears by Fuji.

ROYCE 1-600B; 23ch.

No parts I.D. on PCB.... use below for tune-up. Change Final to 2SC1306. Put slug in coil nearest the antenna connector. Tune all coils shown for max forward on Ch. 12... See Vol. 1 & 2 SCB for crystals if Fo change desired:



* NO SAMS ON THIS UNIT; reason for printing information.....
See Royce Owner's this volume...

G.E. 3-5806, 40-Ch. AM (LC7132-PLL)

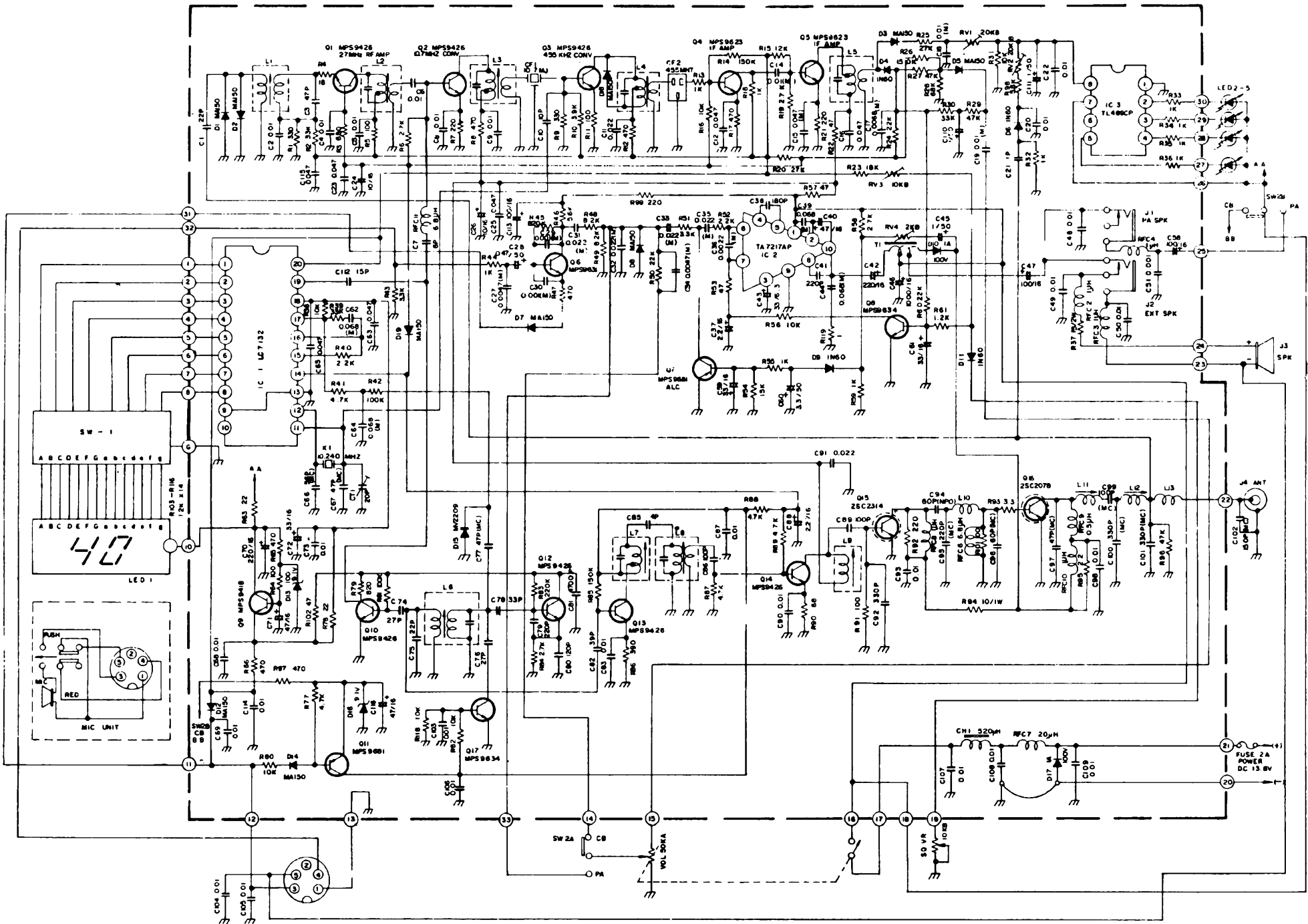
Nothing spectacular here - not enough to mess with, run-of-the-mill unit. RX tune: L1, L2, L3, L4, L5. TX tune: L6, L7, L8, L9, L11, L12. RV1-'S' lights; RV2-'Tx lights'; RV3-Sq Rng; RV4-AMC, Defeat is D-9. R93 may be changed to 1 ohm for higher RF output. As usual on these 'cheap' units the rejection isn't there; (See page 62 this volume); dual up CF2 in this particular unit. See schematic, page 66.

WKS 100, 40 Ch AM/SSB (LC7120-PLL)

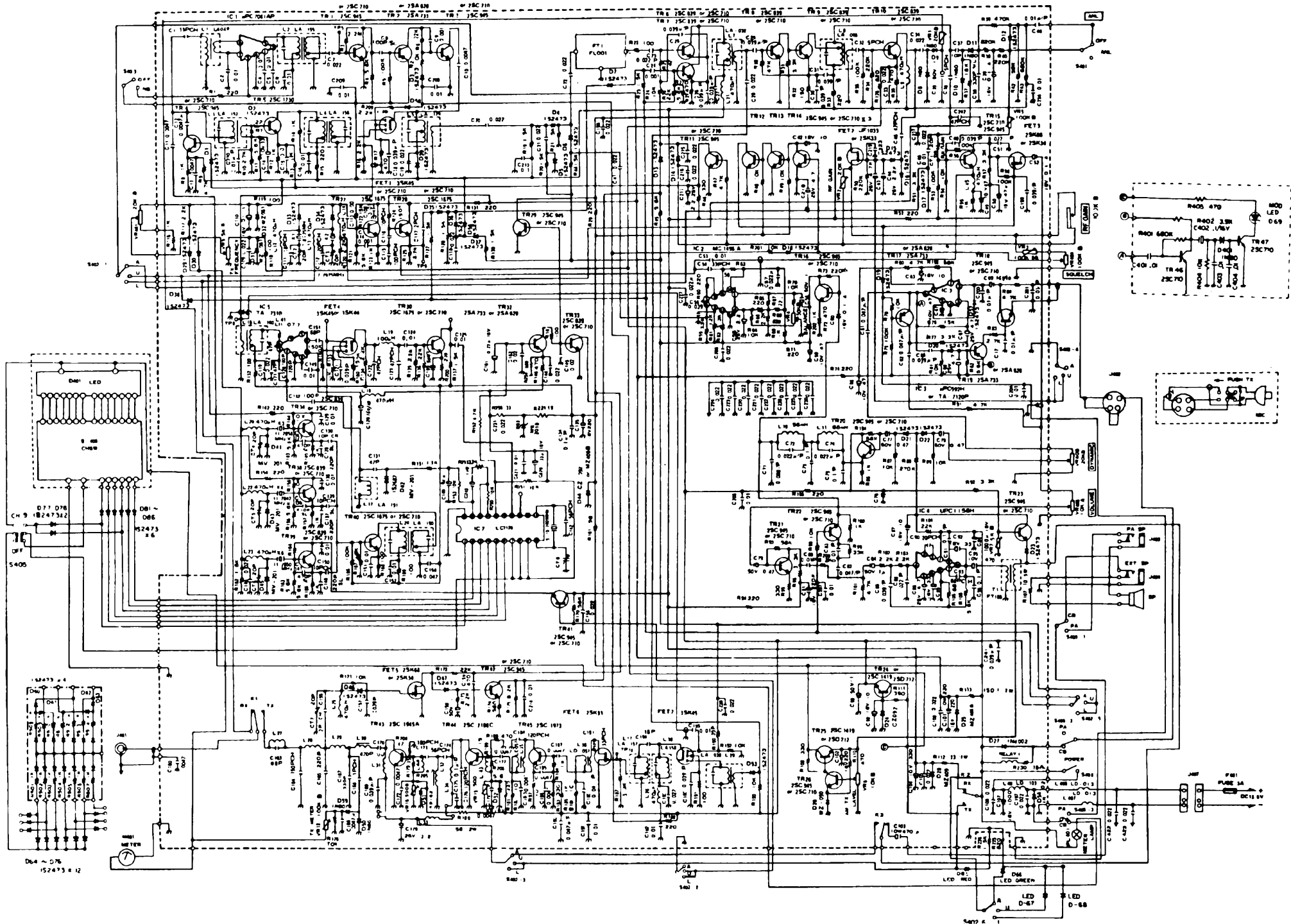
**THIS UNIT IS AN F.C.C. REJECT-NO TAG, and is starting to show up as an 'Export'... Specs: standard U.S. AM/SSB, - source says that the PCB layout is identical to the 858SSB chassis - with PLL chip/RF power sections being the only difference. (Unit does come with schematic, owner's manual, and parts list).

CAUTION: Final-2SC1945 is the 'sister' to the 2SC1969! But when you change run into another problem; as the legs on original are B-E-C; while the 2SC1307 is B-C-E. Will have to bend the legs around; and shield with TEFLON sleeving to prevent shorting; when replacing. PCB is also missing L-6 and FT-2, so you can imagine the rejection. The ROM PLL chip will convert, but the Fo's come out EVEN. With the large slide conversion installed in unit should be no problem at all!

See Vol. 7 SCB, pages 25-28; for basic conversion of chip - read between the lines. Ch. 9 circuit must be modified to install in this unit, suggest permanently 'un-wiring'... 28.310 is about as high as it goes!



WKS-100



99

D64 ~ D76
152473 * 12

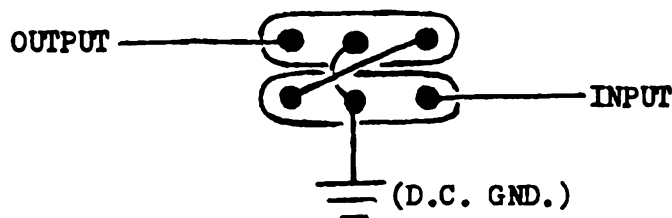
5479 A

8583SB CHASSIS - ADJACENT CHANNEL REJECTION

ED. NOTE: (I for one am tired of hearing the common 'put-down' on this chassis because of rejection! This usually comes from the "SCREWDRIVER JOCKEYS", and those who think they know electronics because the light bulb comes on when the switch is thrown.)

SOLUTION:

1. If your unit has L-6 and FT-2 on PCB. Add another filter (FT-2), in series.
2. Most mobiles and some base units don't have these parts. A jumper will be found on the PCB instead. Remove the jumper and add the required parts, L-6 and (2) FT-2's.
3. Parts may be 'Special Ordered' from your local Radio Shack.
 - A. Radio Shack Reference No: 21-1580 (TRC-457).
 - L-6: part number - CA-3751
 - FT-2: part number - C-0794
 - B. Prices on parts when I last ordered were (April '84): L-6, \$3.56.
FT-2, \$5.55 each. CHEAP, considering performance gain!
4. Wire the filters in series as illustrated below:



(wired exactly as shown above will fit perfect on PCB.)

NOW, enjoy - and I hope this puts an end to the belly-aching!

WKS 100 - PERFORMANCE NOTE

With present final in the unit will distort in SSB mode if peaked out. Turn down the SSB-AIC (CT7), to a maximum of 10W and will have no further problems.

GRANT-DX, TROUBLE SPOT

A few Grant's (DX) are coming in for repair with no SSB Rx... Check TR22, supposed to be a 2SC1730L - but have found MSL1200 in them? Replace with a 2SC1730L, have had no further problems.

ADD TO: SCB Vol. 11, page 10, (Craig L232/wards GEN-719A with uPD2824C Chip)
Clarifier- 3. Jump R418. Add following to same line - (R164 in GEN-719A).

UNIDEN PC-3, (9106-PLL)

All adjustments for VR's clearly marked on PCB. TX-Peak L-7, L-10, NOTE that L-9 is missing a slug? Quote: Don't exceed 6W or forward swing falls off. TR14 is the AMC defeat.

148GTL-DX, (Phone Call-In)

This is all the information they gave: "Ground Pin 6 of IC5"???? Well, they meant the Late version, as the Early IC5 is the Audio chip! in the Late version is the PLL chip. PLEASE, calling is O.K., but like to get all the facts in writing for correllating. That is where the corrections come into play - as I don't have every radio in front of me to check these modifications out on.

Now, back to pin 6 of the PLL chip: Late version 148GTL-DX, this is the frequency select pin (changes the PLL steps from 10KHz progression to a 5KHz progression). In most units will drop the Fo by 455KHz.

TEABERRY 'T', - (4011)

Also pertains to the following units: Gemtronics GTX-5000, Robyn T-240D, Colt 900 (Midnight Special), and any other similar units.

HEAT....as these units have a few years on them now, heat is starting to play H___ with the components. R-501 is a major culprit; the heat is slowly changing the resistance of R-604/605. Also C603 has been found open in a few units?

Suggest: Drilling a few additional holes in bottom of case for air flow and in some units have even installed a small computer fan on the back to keep unit cool.

FACT: If you like to live dangerously-can use to keep your coffee hot just by placing cup on top of the unit while it is on...it does get WARM.

SPECIFICATIONS

GENERAL

Frequency Range..... 25.600 to 29.200MHz
Frequency Control..... Phase Locked Loop (PLL) synthesized circuitry
Frequency Tolerance..... 0.005%
Frequency Stability..... 0.001%
Operating Temp. Range... -20°C to +50°C
Microphone..... Plug-in lock type; Amplified Noise Cancelling with push-to-talk switch and 6' coiled cord. DC power supplied from unit.
Input Voltage..... 11.7-15.9VDC (min.-max.) Nominal 13.8VDC. (positive or negative ground.)
Current Drain..... Transmit, maximum R.F. power. SSB 80W PEP Output 10A.
Receiver squelched; 0.6A, maximum audio output 1.2A.
Cabinet Dimensions..... 2½" H x 9" W x 12½" L
Weight..... 8 pounds
Antenna Connectors..... UHF, (TX-RX 90-239). VHF/UHF, (RX Motorola Jack).
Meter..... Illuminated; indicates relative power output, received signal strength, modulation and standing wave ratio.

TRANSMITTER

Power Output..... AM-12W; FM-12W; SSB-25W, PEP.
RF AMP Power: AM/FM-50W; SSB-80W PEP.
Intermod. Distortion... SSB: 3rd and 5th order, more than -30db.
7th and 9th order, more than -40db.
SSB Carrier Suppression. More than -50db.
Unwanted Sideband..... More than -50db.
Frequency Response..... AM and FM; 300-3KHz; SSB: 400-4KHz.
Output Impedance..... 50 ohm, unbalanced
SSB Filter..... 7.8MHz, crystal lattice type
6db @ 4.2KHz; 60db @ 7.0KHz

RECEIVER

Sensitivity..... SSB: Less than 0.2 microvolt for 10db (S+N)/N at greater than ½ watt of audio output.
AM: Less than 0.65 microvolt for 10db (S+N)/N at greater than ½ watt of audio output.
FM: Better than 0.65 microvolt for 20db (S+N)/N at greater than ½ watt of audio output.
Cross Modulation..... Better than 65db.
Image Rejection..... Better than 75db.
IF Frequency..... FM 1st: 7.8MHz; FM 2nd: 455KHz; AM/SSB: 7.8MHz.
RF Gain..... Adjustable for optimum signal reception.
Automatic Gain Control.. (AGC): Less than 10db change in audio output for inputs of 10-500,000 microvolts.
Squelch..... Adjustable; threshold less than 0.5 microvolt.
Noise Blanker..... RF type, effective on AM and SSB.
Clarifier Range..... (Independent, shifts with 5KHz jump).
FINE: ± 2.0KHz (RX Only).
COARSE: ± 7.0KHz (RX and TX).
Audio Output Power..... 3.6W minimum into 8 ohms.
Frequency Response..... SSB: 400-4KHz; FM: 300-3KHz; AM: 300-2.1KHz.
Distortion..... Less than 10% at 3W output.
Built in Speaker..... 8 ohms, 4W, round.
External Speaker Jack... 8 ohms; not supplied. Disables internal speaker when connected.

SCANNER....(WILSON MDL.)

Channels of Operation... 5-as determined by any of 5 crystals, (or) Varactor tuned oscillator circuits. (RF Oscillator, Oscilloscope, and Frequency Counter are required for tuning.)

Frequency Range..... 30-50MHz, 118-136MHz, 144-174MHz, 450-470MHz, 470-512MHz.

Frequency Coverage..... VHF LO: 6MHz for maximum sensitivity (40MHz \pm 3MHz).
VHF AIRCRAFT: 6MHz for maximum sensitivity (127MHz \pm 3MHz).
VHF HIGH: 8MHz for maximum sensitivity (153MHz \pm 4MHz).
UHF: 30MHz for maximum sensitivity (480MHz \pm 15MHz).

Sensitivity..... Better than 1 microvolt at FM Band and better than 2 microvolt at AM Band for (S+N)/N = 20db.

Selectivity..... -6db \pm 9KHz. -50db \pm 15KHz.

Modulation Acceptance... \pm 7KHz

I.F. 10.7MHz and 455KHz

Filters..... 10.7MHz Crystal Filter, and 455KHz Crystal Filter.

Squelch Sensitivity..... Variable from less than 1 microvolt at FM Band and less than 2 microvolt at AM Band.

Scanning Speed..... 5 Channels/second.

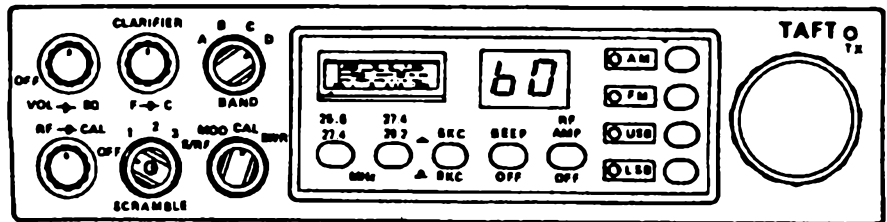
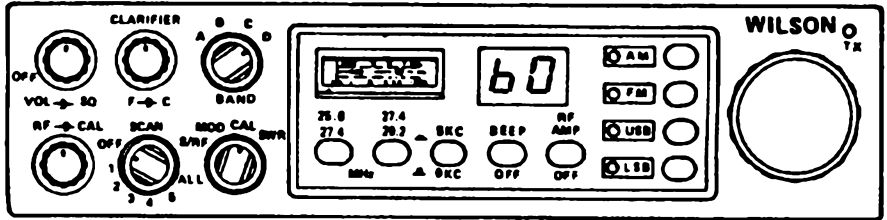
Delay Time..... 1-3 seconds.

Crystal Specifications.. Standard TMR (Not supplied), HC-25/U 3rd Overtone.

SCRAMBLER..(TAFT MDL.)

Modes of Operation..... 3-selectable, with fine tuning adjustment for synchronization.

(Scramble module is sealed-no specifications are given.)



SECRET CB INDEX - VOLUMES 1 THRU 18

| <u>CONVERSIONS:</u> | <u>VOL/PG</u> | <u>CONVERSIONS:</u> | <u>VOL/PG</u> | <u>CONVERSIONS:</u> | <u>VOL/PG</u> | <u>CONVERSIONS:</u> | <u>VOL/PG</u> |
|-----------------------------|---------------|-----------------------------|---------------|-----------------------------|---------------|-----------------------------|---------------|
| <u>CONVERSIONS:</u> | | <u>CONVERSIONS:</u> | | <u>CONVERSIONS:</u> | | <u>CONVERSIONS:</u> | |
| Conversion tips for | | <u>COBRA (cont.)</u> | | <u>GEMTRONICS</u> | | <u>NESCO</u> | |
| all SSB radios.....9/7 | | 148GTL-DX.15/20-24,16/50-51 | | GTX77.....5/39 | | 1249.....6/38 | |
| "A" Channel Mod. for | | 17/47,54-58,18/13,17,23,26 | | GTX-2325.....15/29 | | | |
| all SSB.....9/16-17 | | 2000 (C.A.P.).....6/23 | | | | <u>PAGE</u> | |
| Cybernet Freq. Mod.....8/18 | | 2000GTL.....5/20,7/15-17 | | <u>HALLICRAFTERS</u> | | 166.....15/42 | |
| Uniden 8719PLL Mod.....8/15 | |15/25-28,18/29 | | HCM271.....5/50-51,6/39 | | 1000MC/1000BC.....15/39-41 | |
| MB8719 Mod...10/25-26,18/68 | | | | | | 8010A.....15/43,17/60-61 | |
| MB8719 w/11.1125 Mod. | | <u>COLT</u> | | <u>HYGAIN</u> | | 8015A.....15/43,17/60-61 | |
| ...11/15,Update..14/11-12 | | SX33.....3/4-7 | | I-A.....1/22 | | 8025.....15/44 | |
| PLL01A Mod.....9/15-17 | | 290.....3/4-7 | | PLL.....1/32 | | 8092.....6/35-36 | |
| PLL02A Mod.....3/13-15 | | 390.....3/4-7 | | II.....8/20 | | 8093.....15/48 | |
|4/54-55,18/56 | | 480.....3/8-15,5/39 | | | | 8155.....15/43 | |
| 02A Truth Table....15/12-13 | | 485.....3/8-15 | | <u>ITT</u> | | | |
| 23 Channel PLL02A AM Conv. | | 800.....3/4-7 | | CB-4000M.....13/61 | | <u>PACIFIC</u> | |
| 26.645 to 27.275.....12/32 | | 1000.....3/8-15 | | CB-4400M.....4/17-18 | | 800 SSB.....18/15-16 | |
| Tech tips on the 858 | | | | | | | |
| Chassis.....10/55 | | <u>COURIER</u> | | <u>J. C. PENNEY</u> | | <u>PALOMAR</u> | |
| Uniden 858 Update....9/8-11 | | Centurion PLL....1/31,61-62 | | 6246.....13/61 | | 500....4/19-20,5/32-36,8/21 | |
| How to get on 28 & 29 MHz | |5/57 | | 6248.....8/24 | |15/45 | |
| w/uPD858 PLL.....11/4-7 | | Centurion 40D.....10/53 | | | | | |
| uPD858 AM Conv.....11/35 | | Galaxy.....5/53-54,7/18-22 | | <u>JOHNSON</u> | | <u>PANASONIC</u> | |
| Receiver Widebanding | | Gladiator PLL...1/31,61-62 | | 242-4730.....10/49-51 | | RJ3150.....18/18 | |
| for 858 Chassis.....13/34 | |5/55-57 | | 4125/4174.....13/61 | | RJ3600.....10/57 | |
| New Thumbwheel Conversion | | Spartan.....1/61-62 | | 4140.....15/31 | | RJ3700.....13/16-17 | |
| for 858 Chassis...13/35-37 | |5/30,53,55,57 | | 4740 (NDC40013).....11/12 | | | |
| How to increase ANL | | | | <u>KENWOOD</u> | | <u>PEARCE-SIMPSON</u> | |
| efficiency 70%.....11/8 | | <u>CPI</u> | | TS-120S.....12/22 | | Cheetah PLL.....1/31-32 | |
| Ham Radio Crystal | | 300.....8/21 | | TS-130.....12/23 | | Simba PLL.....1/31-32 | |
| Selector.....12/24 | | 400.....8/21 | | TS-430S.....18/24-25 | | | |
| Palomar 2400 Alignment | | 2000.....3/25 | | TS-820S....14/7-8,15/32-34 | | | |
|18/30-33 | | 2000 Low.....9/23 | | | | <u>PRESIDENT</u> | |
| Colt 510/Commtron XII | | 2500.....5/37-38 | | <u>KRACO</u> | | Adams.....2/16,13/18-20 | |
| Alignment.....18/44-45 | | | | KCB2330A.....9/15 | | AR144.....11/17-18 | |
| SM5104 AM18/20-21 | | <u>CRAIG</u> | | KCB4806.....15/59 | | Grant.....1/22-23,59 | |
| <u>BOMAN</u> | | L131 & L231.....9/12-14 | | | |2/17,23-26 | |
| CB910.....11/41,13/58 | | L132 & L232.....9/12 | | <u>LAFAYETTE</u> | | Grant(new).5/24-27,13/21-22 | |
| CB920.....14/43 | | L232 & L132 w/uPD2824C | | SSB75.....14/9 | | Home Ch. Conv....14/13-17 | |
| CB930.....3/21 | | Chip.....10/47,11/10 | | | | Honest Abe.....1/60 | |
| CB950.....5/39 | | L321.....14/12 | | <u>LAKE</u> | | John Q.....1/60 | |
| | | | | 400.....16/52 | | Madison w/11.3258....10/30 | |
| <u>BROWNING</u> | | <u>DAK</u> | | | | McKinley.....4/12-13 | |
| Mark III.....6/28 | | IX.....5/21-23 | | <u>MECTRON</u> | | McKinley w/11.1125...10/29 | |
| Mark IV.....6/29-30 | | IX Mod. Update....9/18-19 | | ME400.....17/34 | | Teddy R.....1/60 | |
| Mark IVA.....14/5-6 | | X.....4/39-46 | | ME502.....14/41 | | Washington.....1/22-23,59 | |
| Mark IV, IVA.....7/8-14 | | | | | | Washington w/11.1125 | |
| Sabre.....1/27 | | <u>DELCO</u> | | | | (new).....10/28-29 | |
| | | Delco Factory AM/FM/CR | | <u>MIDLAND</u> | | Zachary T.....1/60 | |
| <u>CHANNEL MASTER</u> | | Combo Unit.....11/38-40 | | CAP 858.....5/30 | | | |
| CB6830.....14/41 | | DM83.....12/26 | | 13-857.....11/36 | | <u>RAIDER</u> | |
| | | 90BFMCL.....12/26 | | 13-862.....14/48-49 | | 4060.....15/46 | |
| <u>COBRA</u> | | 90BFPC1.....12/26 | | 13-882C (02A)...13/62,15/35 | | | |
| CAM89.....14/45-46 | | 91YFMCL.....12/26 | | 13-883B (uPD858).....12/4 | | <u>RCA</u> | |
| 32XLR.....4/47 | | | | 76-858.....16/21-24 | | 14T302.....5/11,39 | |
| 45XLR.....18/67 | | <u>DEMCO</u> | | 77-861.....12/26 | | 14T302 (PLL 02AG).....4/36 | |
| 50XLR/55XLR....16/53,18/22 | | Star II.....5/60 | | 78-574.....14/10 | | | |
| 132B.....1/53 | | Super Satellite.....5/60 | | 79-892.....15/36-38 | | <u>REALISTIC</u> | |
| 132XLR.....4/47 | | | | 79-893.....2/20 | | TRC-57.....12/28 | |
| 135B.....1/53 | | <u>FANON</u> | | 79-900.....5/47,18/62 | | TRC-431.....7/23-24 | |
| 135XLR.....4/38 | | Fanfare 350.....5/57 | | 6001.....11/61,16/60-62 | | TRC-448 (REC86345)....11/19 | |
| 135XLR Update....10/43-46 | | | | 7001...8/21,11/16,16/60-62 | |16/25-20 | |
|18/40-41 | | <u>FIELDMASTER</u> | | | | TRC-450.....10/31 | |
| 138XLR.....1/20-23 | | Micro Mini 40.....11/37 | | <u>MORSE</u> | | TRC-451.....12/10-13 | |
| 139XLR.....1/20-23 | | TR-40.....15/63 | | 3005.....2/27 | | TRC-455 (SM5104).....12/30 | |
| 140GTL.....3/19-20,4/50 | | | | | | TRC-457.....10/36 | |
|10/28-29 | | <u>GENERAL ELECTRIC</u> | | <u>MOTOROLA</u> | | TRC-459.....10/32-35 | |
| 142GTL.....4/50,10/28-29 | | Superbase 3-5875/A...10/48 | | CB555 (TC9105P).....12/7 | | TRC-480.....10/37-38 | |
| 146GTL...11/17-18,15/18-19 | | 3-5801A.....16/33,17/39 | | T4025A.....10/46 | | TRC-490.....12/14-15 | |
| 148GTL.....8/16,18/29 | | 3-5813A/3-5869A.....14/41 | | | | | |
| 148GTL-B.....17/40-43 | | | | | | <u>RAY JEFFERSON</u> | |
| | | | | | | CB845 (02A).....12/27 | |

CONVERSIONS:

ROBYN
 GT-440D.....1/23
 SB-505.....5/41-42
 SB-520D.....2/21-22
 SB-540D.....5/19,36,7/25-28
 WV-23.....1/24-25
 WV-110 (SM5104).....12/31

ROYCE
 1-601.....1/26
 1-612.....5/45-46
 1-632.....11/21
 1-632 Update.....13/23
 1-639.....15/48
 1-641.....11/20
 1-642.....13/24
 1-655.....15/47

SANKYO
 SCS-555.....11/40

SBE
 Console II.....15/49
 Console IV.....2/28-35
 Console V.....2/28-37
 Console VI.....8/14
 Cortez 2LCB.....14/56-57
 Formula D.....1/49
 LCBS-4.....7/29-33
 LCMS-4.....7/34-37
 Sidebander II.....2/28-35
 Sidebander V.....2/36-37
 Sidebander VI.....8/14
 Touch Com.....1/50-51

SEARS
 D63911 w/uPD861C.....12/26
 562-38220700.....10/56
 663-3810 w/2824.....11/22
 934-3677150.....12/16-17
 934-36772600.....12/16-17
 934-38260700.....6/26-27
 934-38260700 Update.....11/23
 934-38270700.....5/28-29
 934-38270700 Update.....9/20-22

SHARP
 CB-5470 HD42851B3.....11/24

SILTRONIX
 1011C.....1/46
 1011D.....1/46

SOMMERKAMP
 TS-788DX.....13/25-30

SONAR
 PS-2340.....5/31

SPARKOMATIC
 CB4020S.....14/41

STANDARD HORIZON
 29-A.....5/59,13/63

STONER
 Pro-40.....4/52-53

SUPERSCOPE AIRCOMMAND
 CB340.....8/19
 CB340 (861 Update).....9/24

CONVERSIONS:

SUPERSTAR
 2000.....18/28

SWAN SIGNET
 270.....5/58

TEABERRY
 52 Ch. Capability.....1/43
 CAP Mod.....5/30
 Model T.....4/3-4
 Racer T.....1/58
 Ranger T.....4/1-2,6/24-25
 Stalker I.....1/57,4/5-6,10-11
 Stalker IX.....4/7-9,15/55-57
 Stalker IX (FM Export)
15/50-54
 Stalker XV.....4/7-9,10/39
 Stalker XX.....10/40
 T Bear.....4/14-15
 T Dispatch.....4/14-15
 Titan T.....4/14-15

TENNA POWER
 10901.....15/63

TRAM
 D12.....10/56
 D42.....4/47,5/40
 D60.....1/53
 D64.....13/31
 D80.....10/30
 D201.....1/56,3/22-23,4/48
17/53
 D201A Update.....10/54,17/53
 D300.....8/11-13
 XLR (23-SSB).....17/53

TRISTAR
 747.....15/58,16/68

TRS CHALLENGER
 850/1400.....4/21-27,32-35

VECTOR
 770.....4/56-57
 790.....4/58-59

WARDS
 719A w/uPD 2824.....11/10

YAESU
 101.....5/58
 FT-7B.....7/38-41
 FT-102.....18/25
 FT-707.....10/20-24
 FT-757GX.....18/16
 FT-901.....6/3-12

For most 23 channel radios,
 see crystal cross reference
 guide.....1/6-18,2/5-13

SLIDE MODIFICATIONS:

BOMAN
 950.....4/49

BROWNING
 Baron.....15/15-17

COBRA
 29GTL.....13/57
 132-A.....1/28
 132XLR.....10/45-46,15/15-17
 135-A.....1/28
 135-B.....1/29
 135XLR.....4/38,8/38,10/45-46
15/15-17
 138.....1/28
 138XLR.....1/23
 139.....1/30
 139XLR.....1/23
 140GTL.....4/50,6/64,10/28
 142GTL.....4/50,6/64,8/35-37
10/28
 146GTL.....10/41,11/17
 148GTL.....8/16
 2000GTL.....12/20,13/40

COLT
 480.....3/11
 485.....3/11,4/49
 1000.....3/11

COURIER
 Centurion.....1/61,5/55
 Centurion 40D.....10/53
 Galaxy.....5/53,7/19
 Gladiator PLL.....1/61,5/55
 Spartan.....1/61,5/55

CPI
 2500.....5/37

CRAIG
 L-131.....9/12-14
 L-132 uPD2824C.....9/12,10/47
 L-231.....9/12-14,12/3
 L-232.....9/12,10/47,11/10
 L-321.....14/12

DAK
 X.....4/45

FANON
 Fanfare 350F.....5/55

GENERAL ELECTRIC
 3-5875A.....10/48

GEMTRONICS
 GTX-77.....4/49

HYGAIN
 V.....11/11
 623.....1/33
 674-A.....4/60

J. C. PENNEY
 Pinto SSB.....1/44
 6248.....13/14-15
 981-6247.....13/13

JOHNSON
 242-4730.....10/50
 352.....1/34
 4740.....11/12

SLIDE MODIFICATIONS:

LAFAYETTE
 SSB75.....14/9

MIDLAND
 13-883B.....12/4
 13-892.....4/48,11/13
 13-893.....4/51
 13-898.....1/36
 13-898B.....1/35
 78-574.....14/10
 78-999.....12/5
 79-891.....12/6
 79-892.....11/14
 79-900.....5/47
 6001.....11/16
 7001.....8/21,11/16

MOTOROLA
 CB-555.....12/7

N. D. I.
 PC-201 (NDC40013PLL).....12/8

PACE
 1000.....1/37-38
 DX1023B.....1/39
 8092.....6/37
 8193 (CC13001).....12/9

PALOMAR
 500.....4/19,5/32,35

PANASONIC
 RJ-3700.....13/16-17

PEARCE-SIMPSON
 Bengal.....1/40
 Cheetah.....1/40
 Simba.....1/40

PRESIDENT
 AR144.....10/41
 Adams.....1/16
 Adams 858.....13/18-20
 Dwight D.....15/62
 Grant.....1/59,2/23
 Grant (NEW).....5/24,8/34
 Grant MB8719.....13/21-22
 Madison (NEW).....10/30
 McKinley.....4/12,6/64
 McKinley (NEW).....10/29
 Washington.....1/59
 Washington (NEW).....6/64
8/33-34,10/28

RCA
 14T302.....4/49

REALISTIC
 TRC-47.....1/41
 TRC-48.....1/42
 TRC-57.....12/28
 TRC-448.....11/19,17/54
 TRC-450.....10/31
 TRC-451.....12/10
 TRC-457.....10/36
 TRC-458.....8/39-40
 TRC-459.....10/34
 TRC-480.....10/38
 TRC-490.....12/14-15

SLIDE MODIFICATIONS: VOL/PG

ROBYN
SB-505.....5/41
SB-540D.....5/19
T240D.....13/63

ROYCE
1-632.....5/14,11/21,13/23
1-641.....4/51,11/20
1-642.....13/24

SANKYO
SCS-555.....11/40

SBE
Console II.....1/48
Console IV.....2/34,38-40
Console V.....2/34,38-40
LCBS-4.....7/30
LCMS-4.....7/34
Sidebander II.....1/47
Sidebander IV.....2/34,38-40
Sidebander V.....2/34,38-40

SEARS
23 Ch. SSB.....1/44
Roadtalker SM5104.....12/18
663-3810.....11/22
934-3677150.....12/17
934-36772600.....12/17
934-38260700.....10/52
934-38270700.....5/28,9/20
934-38310700.....5/19,9/22

SHARP
CB5470.....11/24

SILTRONIX
SSB.....1/45

STONER
Pro-40.....4/52,53

TEABERRY
Stalker IX.....4/7-8
Stalker XV.....4/7-8,10/39
Stalker XX.....10/40
Stalker 101/202.....4/10

TRAM
D60.....1/52
D62.....10/45-46,15/15-17
D64.....13/31
D300.....12/19

TRISTAR
747.....17/35

TRS CHALLENGER
850/1400.....4/33,16/55

TRUETONE
CYJ4837A-87.....11/14

WARDS
GEN-719A.....11/10

SPECIFIC RADIO TUNEUPS:

AIR COMMAND VOL/PG
CB640.....5/38

ALARON
B-4075.....9/30
B-4900.....9/30
B-5050A.....9/30
B-5200.....3/41

AMERICAN MOTORS
3221847/48/49/50.....12/34

AUDIOVOX
MCB750.....3/41
MCB5000.....11/42
MCU6000.....6/18,15/60

AUTOMATIC
CBH2265.....3/41

BETA
23 Deluxe.....16/32

BOMAN
CB555.....3/44
CB750.....2/43
CB755.....14/44
CBH900.....3/44
CB910.....1/21,3/44
CB920.....1/21,14/43
CB930.....1/21,3/44
CB950.....3/43
CBH990.....5/43
CBR9600.....2/42,3/41
CBR9940.....3/44
CBR9950.....10/58

BRISTOL
BCB-2271.....16/41

BROWNING
SABRE.....14/42

CHANNEL MASTER
CB6830.....16/55
CB6834.....14/44
CB6835.....6/18

CHRYSLER
4048076/8077.....6/18

CLARION
DMA066.....3/45
JC202E.....3/45
RCJ003.....3/45
TC203E.....6/18

COBRA
CAM89.....14/45
19.....7/51
19GTL.....12/34
19XS.....18/51
21GTL.....3/41,58
21XLR.....1/20,10/58
25GTL.....3/41,58
25LTD.....17/35
29GTL.....3/45,14/42
29LTD.....13/59
29XLR.....1/20
32XLR.....3/58

SPECIFIC RADIO TUNEUPS:

COBRA (cont.) VOL/PG

45XLR.....12/34
46XLR.....3/43
47XLR.....3/45
50XLR.....3/43
55XLR.....3/43
66GTL.....10/58
77X.....9/30
78X.....4/49,6/19,8/44
85.....15/61
86XLR.....3/45
87GTL.....6/19
89GTL.....6/18
132XLR.....3/45,16/39
135XLR.....3/45,4/38,16/39
138XLR.....1/20
139.....1/20
139XLR.....1/20
140GTL.....3/20,58,4/50
142GTL.....4/50
146GTL.....10/41
148GTL.....6/19
148GTL-B.....16/55
148GTL-DX.....16/43-49
150GTL.....17/42
1000GTL.....6/18,14/42

COLT
222.....6/20
290.....3/4
350.....14/46
355.....18/19
390.....3/4
480.....3/8,58
485.....3/8,6/19
510.....17/42,45
800.....3/4
800 Update.....10/58
1000.....3/8,58
1200.....9/30-31,16/55

COMMANDO
2340.....1/21

CONVOY
CON-400.....3/58

COYOTE
23.....16/32

CPI
CP400.....10/59

COURIER
Blazer 40D.....3/58
Caravelle.....18/65
Centurion 40D.....10/53,13/10
Chief 23.....18/65
Classic II.....18/65
Classic III.....18/65
Classic PLL40.....3/43,10/59
Comet 23.....18/65
Conqueror.....18/65
Galaxy.....5/53
Nightrider 40D.....3/46
Rangler 40D.....3/58
Rebel 23+.....18/58
Redball.....1/21
Renegade 40.....3/46
Rouge 40.....3/43
Traveller II.....18/65

SPECIFIC RADIO TUNEUPS:

CRAIG VOL/PG

L101.....6/20,11/42
L102.....6/20
L131.....10/59
L132.....9/12,10/47
L231 (AM,SSB).....10/60
L232.....10/47,11/10
4102.....16/32

DAK
Mark II.....10/60
Mark V.....12/34
Mark X.....4/45

DELCO
70BFMC3.....2/43
80BCB2.....6/20
90BCB1.....10/60
90BFMC1.....12/26
90BFPC1.....12/26
90BFTC1 (FM,AM,CB).....10/60
91YFMC1.....12/26

FANON
10-40.....6/20
Fanfare 125F.....3/43
Fanfare 182F.....3/41
Fanfare 184DF.....3/47
Fanfare 185PLL.....3/46
Fanfare 190DF.....3/47,7/51
Fanfare 350F.....3/47,13/12

GENERAL ELECTRIC
3-5800A.....3/50
3-5804B.....6/21
3-5804F.....10/61
3-5804G.....12/35
3-5805A.....9/31,10/61
3-5806.....18/65
3-5811B.....9/31,10/61
3-5812A.....10/61
3-5813B.....18/34
3-5814B.....6/21
3-5817A.....7/51
3-5818A.....2/42
3-5819A.....11/42
3-5821A.....9/31
3-5821B.....3/54
3-5825A.....9/31-32
3-5830.....3/42
3-5869A.....2/42
3-5871A.....13/60
3-5871B.....3/46
3-5875A.....9/32,10/48
3-5900A.....12/35

GENTRONIX
GTX-23.....15/61
GT44.....2/42
GT55.....3/48
GTX66.....6/21
GTX77.....6/21
GTX3323.....17/59
GTX4040.....3/48
GTX5000.....3/42,13/60

GENERAL MOTORS
CBD-20U (PLLO3A).....12/36
CBD-203.....3/48
4120.....3/46
4145.....9/32
4175.....3/46

SPECIFIC RADIO TUNEUPS:

| | <u>VOL/PG</u> |
|--------------------------|---------------|
| <u>GREAT</u> | |
| K605/GT818..... | 16/32 |
| GT838..... | 18/65 |
| <u>HYGAIN</u> | |
| IV 673..... | 18/34 |
| HyRange V..... | 18/51 |
| VIII..... | 3/59 |
| 674A..... | 4/60 |
| V674B..... | 1/21 |
| 2701..... | 2/42 |
| 2702..... | 3/48 |
| 2703..... | 3/48 |
| 2716..... | 12/36 |
| <u>ITT</u> | |
| 4000M..... | 13/61 |
| 4400M..... | 4/17 |
| <u>J. C. PENNEY</u> | |
| 6241..... | 18/51 |
| 6246..... | 13/61 |
| 981-6203..... | 15/30 |
| 981-6204..... | 9/32 |
| 981-6225..... | 14/47 |
| 981-6248..... | 13/14-15 |
| 981-7461..... | 9/32 |
| 981-8360..... | 10/61,18/51 |
| <u>JIL</u> | |
| 615CB..... | 11/42 |
| <u>JOHNSON</u> | |
| 123A..... | 1/21 |
| 4125/4174..... | 13/61 |
| Messenger 40..... | 12/36 |
| Messenger 50..... | 7/51 |
| Messenger 80..... | 7/51 |
| Messenger 4120..... | 3/47 |
| Messenger 4135..... | 3/48 |
| Messenger 4140/4145..... | 3/54 |
| Messenger 4170/4175..... | 3/47 |
| | 11/43 |
| Messenger 4250..... | 3/48 |
| Viking 200..... | 12/36 |
| Viking 260/270..... | 3/49 |
| Viking 4330/4360..... | 11/43 |
| Viking 4740..... | 11/12 |
| <u>K-40</u> | |
| K-40..... | 15/60 |
| <u>KRACO</u> | |
| KB2345..... | 18/34 |
| KB4045..... | 14/47 |
| KCB-1401..... | 18/57 |
| KCB-2340..... | 2/42 |
| KCB-4000..... | 11/43 |
| KCB-4003..... | 3/42 |
| KCB-4005..... | 9/38,11/43 |
| KCB-4020..... | 3/49 |
| KCB-4030..... | 8/44 |
| KCB-4088..... | 3/50 |
| <u>KRIS</u> | |
| XL25..... | 2/43 |
| <u>LAFAYETTE</u> | |
| Comstat..... | 11/45 |
| Dyna-Com 40..... | 11/44 |
| CHB740..... | 15/60,16/55 |

SPECIFIC RADIO TUNEUPS:

| | <u>VOL/PG</u> |
|--------------------------|------------------|
| <u>LAFAYETTE (cont.)</u> | |
| HB640..... | 2/43 |
| LM-100 (PLL02A)..... | 12/36 |
| LM-300..... | 12/37 |
| SSB75..... | 14/9 |
| SSB140..... | 11/44 |
| Telestat 1240..... | 5/14 |
| <u>LAKE</u> | |
| 410..... | 12/37 |
| 450..... | 12/37 |
| 600..... | 12/37 |
| <u>MEDALION</u> | |
| 63-240..... | 3/50 |
| <u>MIDLAND</u> | |
| 100M..... | 10/67 |
| 102M..... | 14/42,17/59 |
| 103M..... | 17/65 |
| 150M..... | 7/52 |
| 13-858..... | 14/42 |
| 13-862..... | 14/48 |
| 13-867..... | 13/62 |
| 13-879..... | 14/50 |
| 13-881..... | 15/61 |
| 13-882C..... | 13/62 |
| 13-892..... | 4/48 |
| 13-893..... | 4/51 |
| 63-445..... | 11/45 |
| 76-858..... | 3/49 |
| 76-860..... | 14/51 |
| 76-863..... | 3/50,9/33 |
| 77-101B..... | 8/44 |
| 77-101C..... | 12/38 |
| 77-808..... | 18/51 |
| 77-821..... | 3/42 |
| 77-824..... | 8/44 |
| 77-824B..... | 12/38 |
| 77-824C..... | 12/39 |
| 77-838..... | 9/33 |
| 77-849..... | 3/50 |
| 77-853..... | 16/55 |
| 77-856..... | 11/45 |
| 77-861..... | 3/50 |
| 77-861B..... | 11/45 |
| 77-865..... | 9/33 |
| 77-899..... | 9/33 |
| 77-963..... | 3/42 |
| 78-574..... | 9/38,12/39,14/10 |
| 78-999 (02A)..... | 12/5 |
| 79-891 (02A)..... | 12/5 |
| 79-892..... | 3/49 |
| 79-893..... | 2/20 |
| 79-900..... | 9/33-34 |
| 1001..... | 17/65 |
| 3001..... | 12/37 |
| 4001 (77-004)..... | 7/52 |
| 5001..... | 12/37 |
| 6001..... | 11/16 |
| 7001..... | 11/16 |
| 7001 (79-007)..... | 11/45-46 |
| <u>MOPAR</u> | |
| 4094173..... | 3/51 |
| 4094176..... | 3/51 |
| 4094177..... | 3/49 |
| 4094178..... | 3/60 |
| <u>MORSE</u> | |
| 2001..... | 14/42 |

SPECIFIC RADIO TUNEUPS:

| | <u>VOL/PG</u> |
|---------------------------|---------------|
| <u>MOTOROLA</u> | |
| CB555..... | 12/7 |
| CC975AX..... | 16/40 |
| CF925AX..... | 11/46 |
| CM540..... | 18/27 |
| Mocat 40..... | 11/46 |
| T4000A/05A/10A/20A..... | 3/50 |
| <u>N. D. I.</u> | |
| PC-102..... | 11/46 |
| PC-200..... | 7/52 |
| PC-201..... | 12/8 |
| <u>OMNIVOX</u> | |
| CB-1000..... | 18/66 |
| <u>PACE</u> | |
| CB144..... | 14/42 |
| CB166..... | 15/60 |
| 8003..... | 11/47 |
| 8008..... | 2/43 |
| 8016..... | 11/47 |
| 8046..... | 9/33 |
| 8113..... | 12/39 |
| 8117..... | 11/47 |
| 8155..... | 9/34,12/40 |
| 8193..... | 7/52 |
| <u>PACIFIC</u> | |
| SSB800..... | 16/55 |
| <u>PALOMAR</u> | |
| 49..... | 3/60 |
| 500..... | 4/19,5/32 |
| 500B..... | 18/67 |
| 2400..... | 17/42,44 |
| 4100..... | 3/54 |
| <u>PANASONIC</u> | |
| CR-B474EU (AM,FM,CB)..... | 9/34 |
| RJ-3200..... | 14/42 |
| RJ-3250..... | 11/47 |
| RJ-3600..... | 11/48 |
| RJ-3660..... | 14/52 |
| RJ-3700..... | 13/17 |
| <u>PEARCE-SIMPSON</u> | |
| Cougar 23..... | 14/53 |
| Leopard B..... | 3/49 |
| Puma 23B..... | 13/62 |
| Supertiger 40A..... | 3/60 |
| Tiger 40A..... | 9/34 |
| <u>PIONEER</u> | |
| GT-100G (AM,FM,CB)..... | 10/62 |
| <u>PRESIDENT</u> | |
| AR-7..... | 12/40 |
| AR-44..... | 10/63 |
| AR-144..... | 10/41 |
| AR-711..... | 12/34 |
| AX-7..... | 12/45 |
| AX-11..... | 12/45 |
| AX-14..... | 12/45 |
| AX-44..... | 12/45 |
| AX-52..... | 12/45 |
| AX-55..... | 12/45 |
| AX-144..... | 12/45 |
| AX-711..... | 12/40,45 |
| Adams..... | 2/16 |

SPECIFIC RADIO TUNEUPS:

| | <u>VOL/PG</u> |
|--------------------------|------------------|
| <u>PRESIDENT (cont.)</u> | |
| Andrew J..... | 9/34 |
| Dwight D..... | 10/62,14/54 |
| Grant..... | 1/22 |
| Grant (new)..... | 5/24 |
| James K..... | 7/52 |
| James K (new)..... | 12/40 |
| McKinley..... | 4/12 |
| Old Hickory..... | 9/34 |
| Washington..... | 1/22 |
| Zachery T..... | 14/54 |
| <u>RAY JEFFERSON</u> | |
| CB-845..... | 11/48 |
| <u>RCA</u> | |
| 14T270..... | 9/36 |
| 14T300..... | 2/43 |
| 14T302..... | 3/53 |
| 14T303..... | 11/48 |
| <u>REALISTIC</u> | |
| TRC-45A..... | 4/37 |
| TRC-47..... | 1/21 |
| TRC-57..... | 1/21,12/28 |
| TRC-99A..... | 4/37 |
| TRC-100..... | 4/37 |
| TRC-180..... | 4/37 |
| TRC-200..... | 4/37 |
| TRC-200 Update..... | 10/63 |
| TRC-204..... | 10/63 |
| TRC-205..... | 12/40 |
| TRC-206..... | 14/55 |
| TRC-209..... | 10/63 |
| TRC-209 (GRE7189PLL-VC) | 12/49 |
| TRC-210..... | 16/32 |
| TRC-211..... | 17/34 |
| TRC-212..... | 17/34 |
| TRC-410..... | 12/29 |
| TRC-411..... | 15/60 |
| TRC-420..... | 12/41 |
| TRC-421..... | 8/44,12/41 |
| TRC-421A..... | 9/35 |
| TRC-422..... | 8/45 |
| TRC-422A..... | 10/64,67 |
| TRC-424..... | 3/57,9/35 |
| TRC-425..... | 7/53,10/67 |
| TRC-426..... | 10/64 |
| TRC-427..... | 8/45 |
| TRC-428..... | 11/48 |
| TRC-431..... | 4/37 |
| TRC-432..... | 11/48 |
| TRC-440..... | 8/45,9/35 |
| TRC-441..... | 10/67,11/49 |
| TRC-448..... | 3/51,10/64,11/19 |
| TRC-449..... | 3/51,9/35-36 |
| TRC-451..... | 12/10,18/26 |
| TRC-452..... | 1/21,3/52 |
| TRC-454..... | 8/45 |
| TRC-455..... | 3/60 |
| TRC-456..... | 10/67 |
| TRC-457..... | 9/35-36,10/36 |
| TRC-458..... | 9/35 |
| TRC-459..... | 10/34 |
| TRC-461..... | 3/51 |
| TRC-462..... | 9/36 |
| TRC-466..... | 3/51 |
| TRC-468..... | 3/57 |
| TRC-470..... | 9/39,12/41,16/40 |
| TRC-471..... | 8/45 |
| TRC-480..... | 7/53,10/37 |
| TRC-490..... | 11/49,12/15 |

SPECIFIC RADIO TUNEUPS:

| | <u>VOL/PG</u> |
|-------------------------|-----------------|
| <u>REGENCY</u> | |
| CR240..... | 16/32 |
| <u>ROADRUNNER</u> | |
| CB5000A..... | 16/41 |
| <u>ROBERTS</u> | |
| 40 Ch..... | 14/42 |
| <u>ROBYN</u> | |
| 007-140..... | 3/52 |
| AM500D..... | 3/52 |
| DG130D..... | 3/56 |
| GT-410D..... | 3/57 |
| LB120..... | 3/52 |
| SB-505..... | 5/42 |
| SB-520D..... | 2/22 |
| SX-401..... | 3/57 |
| SX-402D..... | 3/57 |
| T240D..... | 3/56,13/60,63 |
| WV110..... | 3/56 |
| WV110 Update..... | 11/50 |
| <u>ROYCE</u> | |
| 1-580..... | 16/32 |
| 582 (PLL3001)..... | 12/42 |
| 604..... | 3/56-57 |
| 607..... | 12/42 |
| 611..... | 14/55 |
| 1-617..... | 3/52 |
| 1-619..... | 3/56 |
| 1-621..... | 3/57 |
| 1-625..... | 3/56 |
| 1-632..... | 11/21 |
| 1-639..... | 12/41 |
| 1-641..... | 3/60,4/51,11/20 |
| 1-642..... | 13/24,18/51 |
| 1-650..... | 14/42 |
| 1-651..... | 7/55 |
| 1-655..... | 11/50 |
| 1-660..... | 2/42 |
| 1-673..... | 3/52 |
| 1-675..... | 3/53 |
| 1-680..... | 3/52 |
| <u>SBE</u> | |
| Concole V..... | 15/61 |
| 21-CB Cortez..... | 14/56 |
| 26CB1A..... | 3/61 |
| 42CB Cortez 40..... | 3/61 |
| 43CB..... | 3/53 |
| 44CB..... | 9/36 |
| 45CB Trinidad III..... | 3/61 |
| 47CB..... | 3/53 |
| 49CB Tahoe 40..... | 3/53 |
| LCB-8 (uPD2826C)..... | 12/43 |
| LCBS-4..... | 7/32 |
| LCM-5 Land Command..... | 9/36 |
| LCM-8..... | 9/36 |
| LCM-8 (PLL03A)..... | 12/42 |
| LCMS-4..... | 7/35 |
| LCMS-8 (uPD2816C)..... | 12/43 |
| <u>SEARS</u> | |
| CM-6000LA..... | 3/59 |
| CM-6000LC..... | 3/59 |
| Roadtalker 40..... | 2/43 |
| 370-38050700..... | 3/54 |
| 562-38200700..... | 3/55 |
| 663-38020800..... | 7/53 |
| 663-38070700..... | 3/61 |
| 663-3810..... | 11/22 |
| 663-381050..... | 11/21 |

SPECIFIC RADIO TUNEUPS:

| | <u>VOL/PG</u> |
|------------------------|---------------|
| <u>SEARS (cont.)</u> | |
| 934-36740500..... | 18/57 |
| 934-3677150..... | 12/16 |
| 934-36772600..... | 12/16 |
| 934-38060700..... | 17/65 |
| 934-38061700..... | 11/50 |
| 934-38062700..... | 10/65 |
| 934-38080700..... | 9/37 |
| 934-38081700..... | 9/38 |
| 934-38120700..... | 3/61 |
| 934-38260700..... | 7/53 |
| 934-38270700..... | 7/54 |
| 934-38310700..... | 7/54-55 |
| <u>SHAKESPEARE</u> | |
| GBS240..... | 3/53 |
| <u>SHARP</u> | |
| CB-23..... | 13/63 |
| CB-800..... | 2/42 |
| CB-2170..... | 12/43 |
| CB-2460..... | 18/57 |
| CB-4370..... | 12/43 |
| CB-4470..... | 12/44 |
| CB-4670..... | 7/55 |
| CB-5470..... | 11/24 |
| <u>SONAR</u> | |
| FS-2340..... | 5/31 |
| <u>SPARKOMATIC</u> | |
| SR-42/CBM..... | 3/54 |
| <u>STANDARD</u> | |
| 29..... | 1/22 |
| 29A (uPD857)..... | 13/63 |
| <u>SUPERSCOPE</u> | |
| Aircommand CB1040..... | 14/57 |
| <u>SURVEYOR</u> | |
| 620..... | 3/55 |
| 2610..... | 3/54 |
| <u>TEABERRY</u> | |
| Big T..... | 15/61 |
| Model T..... | 3/55 |
| Racer T..... | 3/55 |
| Titan T..... | 15/61 |
| Stalker II..... | 1/21 |
| Stalker III..... | 7/55 |
| Stalker IV..... | 12/44 |
| Stalker V..... | 7/55 |
| Stalker VIII..... | 10/65 |
| Stalker IX..... | 10/65 |
| Stalker XII..... | 7/56 |
| Stalker XV..... | 10/39 |
| Stalker XX..... | 10/40 |
| T Charlie..... | 10/65 |
| T Command..... | 3/55 |
| T Dispatch..... | 3/55 |
| <u>TENNA</u> | |
| 10901..... | 10/58 |
| 10902..... | 10/65 |
| 11302 (AM,FM,CB)..... | 9/37 |
| <u>TRS</u> | |
| Challenger 432..... | 4/23 |
| Challenger 460..... | 14/59 |
| Challenger 600..... | 9/37 |
| Challenger 850..... | 4/32,7/55 |
| Challenger 1200..... | 12/44 |

SPECIFIC RADIO TUNEUPS:

| | <u>VOL/PG</u> |
|-------------------|---------------|
| <u>TRAM</u> | |
| D12..... | 3/54 |
| D64..... | 13/31 |
| XL-5..... | 16/32 |
| <u>TRUETONE</u> | |
| CYJ4832-A-87..... | 2/43 |
| CYJ4837-A-87..... | 3/59 |
| CYJ4862-A-87..... | 9/39 |
| MCC4434A-57..... | 14/60 |
| MCC4726A-67..... | 15/61 |
| <u>UNIMETRICS</u> | |
| Dolphone..... | 18/65 |
| <u>UTAC</u> | |
| TRX-400..... | 3/59 |
| TRX-500..... | 5/56 |
| <u>VECTOR</u> | |
| X..... | 2/43 |
| 770..... | 9/37 |
| 790..... | 9/37 |
| <u>WARDS</u> | |
| GEN-680A..... | 14/61 |
| GEN-696A..... | 14/61 |
| GEN-719A..... | 11/10 |
| GEN-775A..... | 3/61 |
| <u>XTAL</u> | |
| XSSB10..... | 1/22 |

MISCELLANEOUS INDEX LISTED BY VOLUME

VOLUME 1

| | PAGE # |
|---|--------|
| GOLDEN EAGLE MARK IV PING MODIFICATION..... | 20 |
| CRYSTAL CROSS REFERENCE GUIDE..... | 5-10 |
| LETTER CHART FOR CRYSTAL FREQ. CORRELATION..... | 11-18 |
| GENERAL INFORMATION..... | 63-67 |
| LINEARS..... | 68-70 |

VOLUME 2

| | PAGE # |
|---|--------|
| NEW CRYSTAL CROSS REFERENCE GUIDE..... | 5-9 |
| LETTER CHART FOR CRYSTAL FREQ. CORRELATION..... | 10-13 |
| PRESIDENT GRANT RF GAIN & ADJACENT CH. REJ. MOD..... | 18-19 |
| ROBYN 5100/5200 NOISE BLANKER ALIGNMENT..... | 25-26 |
| COBRA 139XLR SERVICE BULLETIN ON CRYSTAL DRIFT PROBLEM & PCB CRACKING..... | 45-50 |
| SERVICE BULLETIN ON SIDEBANDER II & CONSOLE II FOR IMPROVING CROSS MODULATION REJECTION..... | 51 |
| SERVICE BULLETIN-COBRA 29 ON MODULATION IMPROVEMENT, ALSO NOISE BLANKER..... | 52 |
| ANTENNA REPORTS..... | 53-55 |
| BETA-COM INFO (UPGRADING 23 CHANNEL RADIOS)..... | 57-87 |

VOLUME 3

| | PAGE # |
|--|--------|
| PRESIDENT MADISON FREQ. COUNTER MOD..... | 16-18 |
| NOISE WHINE CURE..... | 24 |
| MICROMONE WIRING INSTRUCTIONS..... | 26-32 |
| PLL CHANNELIZER..... | 33-40 |
| ANTENNA SECRETS (K40 STUD MOUNT FOR BIG STICK)..... | 63-64 |
| SPECIAL SECTION ON LINEAR AMPLIFIERS: | |
| 50-70W MOBILE..... | 66 |
| 300-400W BASE..... | 67-69 |
| 70W BASE..... | 70-71 |
| EAGLE 200..... | 72 |
| EAGLE 500..... | 73 |
| CONVERSION FROM AMATEUR TRANSMITTER TO LINEAR AMP... | 74 |
| LINEAR AMP PROBLEMS & SOLUTIONS..... | 75-76 |

VOLUME 4

| | PAGE # |
|--|--------|
| HOW TO BUILD YOUR OWN RELAY MODULE..... | 16 |
| 02A CHIP INFORMATION..... | 54-55 |
| HINTS & KINKS ON COBRA 62XLR & 142GTL..... | 61 |
| TURNER MIC EXPANDER (500AMC DISABLE)..... | 62 |
| K40 BLINKIE..... | 63 |
| SUNSPOT PREDICTION CHART..... | 64 |
| LINEAR REPORT SECTION: | |
| D & A MAVERICK..... | 65 |
| D & A 500 TRIPLE CONVERSION..... | 65 |
| EAGLE 515 MODIFICATION..... | 66-67 |
| UNIDEN SSB 10METER POWER CONVERSION..... | 68-70 |
| SUPER CLARIFIER DIODE..... | 71 |

VOLUME 5

| | PAGE # |
|---|--------|
| 10 METER CONV. MICROCOMPUTER (MICROMONITOR PLL)..... | 1-5 |
| ECHO BOX..... | 6 |
| 250 WATT DUMMY LOAD - "SECRET CB'S LITTLE DUMMY"..... | 7 |
| BUILT IN POWER MIKE..... | 8-9 |
| 5-MILE SIMULATOR..... | 10 |
| RECEIVER PRE-AMP..... | 11 |
| GLEN DIGITAL CONTROLLER..... | 12-13 |
| GETTING SWR DOWN ON BASE ANTENNAS..... | 15 |
| APARTMENT ANTENNA..... | 16 |
| GROUNDING MOBILE RADIOS..... | 17 |
| OOPS! WE GOOFED! | |
| VOL. 1, PAGE 23..... | 18 |
| VOL. 2, PAGE 20 & 21..... | 18 |
| VOL. 3, PAGE 4, 7, 11, 25, 33..... | 18 |
| VOL. 4, PAGE 5, 45, 50..... | 17 |

VOLUME 5 (cont.)

| | PAGE # |
|--|--------|
| DAK MARK IX POWER MODIFICATION..... | 21-23 |
| SUPER POWER MODULATION MOD. FOR BOWMAN BASE CBH990.. | 43 |
| THE ART OF WIDEBANDING 858 CHIP..... | 44 |
| CONVERSION KIT + MARS & CAP FOR SSB..... | 48-49 |
| CONVERSION OF AM/SSB TO 10 METER AMATEUR..... | 52 |
| REDCO UFO INSTALLATIONS..... | 61-69 |
| HINTS & KINKS - COBRA 140/142/148GTL REGULATOR IC SHORTING OUT..... | 70 |
| SLIDE INCREASE, ALL SSB RADIOS..... | 71 |
| RADAR COMMUNICATOR..... | 72-73 |

VOLUME 6

| | PAGE # |
|---|--------|
| PLL CRYSTAL CROSS REFERENCE GUIDE..... | 1-2 |
| SECRET CB TEST TONE..... | 13 |
| ERRONEOUS SIGNAL LOCATOR..... | 14 |
| LOW COST AMATEUR CONVERSION FOR 10 METERS..... | 15 |
| BASE ANTENNA GROUNDING..... | 16-17 |
| SUPER CLARIFIER 10-TURN POT..... | 22 |
| OOPS! WE GOOFED! | |
| VOL. 5, PAGE 19, 20, 28..... | 25 |
| THUMBWHEEL 200 CHANNEL CONVERSION FOR 858 CHASSIS.. | 31-34 |
| REDCO UFO APPLICATIONS..... | 40-52 |
| SPECIAL SECTION ON LINEAR AMPLIFIERS: | |
| PDX 400..... | 54 |
| D & A MAVERICK 250..... | 55 |
| MACO DUSTER 300, 750 & 1000 TRANSMITTER..... | 56-57 |
| MACO 75..... | 58 |
| 500 CX & 700 CX 10 to 11 METER CONVERSIONS..... | 58 |
| RDX-75..... | 59 |
| HDX-50..... | 59 |
| MDX-200..... | 60 |
| PDX-400..... | 61 |
| 10 METER EXPERIMENTER BOARD INFORMATION..... | 62-63 |
| HOW TO MAKE CYBERNET CHASSIS SLIDE..... | 65 |
| HOW TO HOOK UP GLEN 310 TO PRESIDENT WASHINGTON.... | 67 |
| SUPER CLARIFIER HINTS..... | 66 |
| REDCO DX-50..... | 68-70 |

VOLUME 7

| | PAGE # |
|---|--------|
| HOW TO MAKE YOUR EAGLE SCREAM..... | 14 |
| IMPROVED SLIDE MODIFICATION FOR 02A SSB RADIOS..... | 42 |
| UPDATED 200 CHANNEL AMATEUR CONVERSION FOR 858 CHIP | 43-48 |
| 10 METER CONVERSION FOR SSB RADIOS USING MB8719.... | 49-50 |
| HOW TO MAKE YOUR 858 CHASSIS SLIDE..... | 56 |
| LINEAR AMPLIFIER NOTES..... | 57 |
| RECEIVE AMP - SILTRONIX..... | 58-59 |
| ECHO BOX SPEECH PROCESSING FOR TRC-449..... | 60 |
| ADDING PING..... | 61 |
| CORRECTION TO THUMBWHEEL 200 CHANNEL CONVERSION.... | 62-63 |
| MICROMONITOR TECH NOTES..... | 64-69 |
| MICROMONITOR INSTALLATION for RADIOS USING 858.... | 70-71 |
| AMP FOR RF PROBE..... | 72 |
| OSCILLOSCOPE MOD. FOR RF & MODULATION DISPLAY.... | 73 |
| THE "BANDIT" ANTENNA..... | 74-76 |
| SECRET CB'S OWN "TROUBLESHOOTER"..... | 77 |

VOLUME 8

| | PAGE # |
|--|--------|
| WHAT'S NEW ON THE ELECTRONICS HORIZON?..... | 1-6 |
| UHF FM CB (GMRS)..... | 7-10 |
| UNIDEN MB8719 PLL CHIP FREQUENCY CONVERSION..... | 15 |
| FREQUENCY MOD. FOR J.C. PENNEY, COLT, LAFAYETTE, HYGAIN, ETC..... | 18 |
| BROWNING MARK IVA MOD. & UFO INSTALLATION..... | 22-23 |
| BROWNING MARK IV TRANSMITTER TROUBLESHOOTING.... | 25-32 |
| OOPS! WE GOOFED! | |
| VOL. 5, PAGES 31, 32, 33, 34..... | 41 |
| VOL. 7, PAGES 31, 37..... | 42-43 |

LINEAR AMPLIFIER NOTES:
 INSTALLING & TROUBLESHOOTING LINEAR AMPS..... 47-49
 10 METER AMP BOARD MOD. TO UPRIGHT DRIVER..... 50
 YOU CAN BUILD IT:
 TWO-TONE GENERATOR..... 51
 YAESU 601 (B) FREQ. COUNTER MOD. TO READ
 CB LOW, MIDDLE, HIGH FREQ..... 52-54
 RF TEST METER..... 56-57
 REDCO UFO MODIFICATION (FROM 20 to 29.995 MHz).... 55
 SECRET CB'S POWER VECTORING..... 58
 HOW THE ECHO BOX CAN ACTUALLY SURPASS THE POWER
 OF A LINEAR IN SSB..... 59
 MICROMONITOR QUESTIONS..... 60-62
 MICROMONITOR INSTALLATION INSTRUCTIONS:
 SMS104 PLL..... 63-64
 ICOM 22S..... 65-67
 NEW PRODUCT RELEASE:
 ZAPPER 9000 MOD. & REFERENCE CHART..... 68-69
 REDCO DIGI-SCAN UFO ELITE..... 70
 CHOPPER CHARLIE ANTENNA, MODEL 64#5..... 71
 TROUBLESHOOTER..... 73
 AMATEUR VSB-1 (VOICE SIGNAL BOOSTER)..... 82

VOLUME 9

SSB'ER LOSE OUT AGAIN..... 1
 FCC ANNOUNCES PLANS FOR SIDEBAND..... 2-3
 FCC DELAYS NPRM: SSB FREQS. DOUBTFUL..... *3-4
 SPEED-O-MATIC "SPEEDO-1" X-BAND RADAR GUN..... 5-6
 CONVERSION TIPS FOR ALL SSB RADIOS..... 7
 RELAY CRYSTAL SWITCHING..... 25-26
 LETTER FROM A FRIEND..... 27-28
 HINTS & KINKS-ELECTRONIC CRYSTAL SWITCHING..... 29
 OOPS! WE GOOFED! VOL. 8, PAGE 17..... 29
 SOLVING T.V.I..... 40-42
 RADACRUZ..... 42
 IMPORTANT FACTS ABOUT ECHO BOXES..... 43-44
 OOPS! WE GOOFED! VOL. 4, PAGE 51..... 44
 VOICE SIGNAL BOOSTER (VSB-1) INSTALLATION..... 45-48
 POWER SUPPLY MODIFICATION FOR REALISTIC PRE-AMP
 NOISE-CANCELLING MIKE #21-1175..... 49-50
 HINTS & KINKS - SWITCHABLE MODULATION INCREASE..... 51
 RF ATTENUATOR..... 52-54
 PRESIDENT SERVICE BULLETINS..... 55-61
 INDEX VOLUMES 1 THRU 8..... 62-70

VOLUME 10

SECRET CB TROUBLESHOOTER..... 2-4
 VOICE SIGNAL BOOSTER - VSB-1..... 5-19
 REPLACING MB8734 with MB8719..... 35
 UPD2816C PLL PIN OUT..... 42
 TECH TIPS ON 858..... 55
 UNCONVERTIBLE CHIP LIST..... 66
 LINEAR SUGGESTIONS..... 68-69
 ZAPPER 9000 INSTALLATION HINTS..... 70
 OOPS! WE GOOFED!
 VOL. 3, PAGE 33..... 71
 VOL. 5, PAGE 24, 28, 48..... 72
 VOL. 8, PAGE 16, 17..... 72-73
 VOL. 9, PAGE 9, 51..... 74-75
 VOL. 9, PAGE 29..... 72
 CB PARABOLIC TYPE ANTENNA..... 77

VOLUME 11

CPI ALC MODIFICATION FOR INCREASED SSB POWER..... 9
 HOW TO ADD RF GAIN CONTROL TO A CPI 300/400..... 11
 VSB-1 UPDATE..... 25-26
 NEW FRONTIER: FM CB..... 27-29
 NEW PRODUCT: DIGI-SCAN DS-400..... 30-31

COMING ATTRACTIONS - SERIAL DATA/PLL
 FREQUENCY SYNTHESIZERS..... 32
 UNCONVERTIBLE AT THIS TIME -GE 3-5900A TC9101P.... 33
 ADD CH. 9 & 19AT TO COLT 210..... 33
 ZAPPER 9000 INSTALLATION UPDATES..... 34
 RADIO MODULATION ADJUSTMENTS FOR VARIOUS MODELS... 51-53
 HINTS ON SERVICING..... 54
 SERVICE NOTES-GOLDEN EAGLE MARK IV TRANSMITTER.... 55
 D104 & D104M6 ASTATIC MIKE MODIFICATION..... 55
 HOW TO SOLVE NOISE PROBLEMS..... 56-57
 MORE ON THE "TROUBLESHOOTER"..... 57
 NOISE IN DIESEL TRUCKS..... 58
 IN HOUSE VALUE LISTING..... 59
 TRUCKERS SPECIAL POLARITY PROTECTOR WITH SMARTS... 60
 HOW TO BUILD:
 LOW PASS FILTER..... 61
 20dB ATTENUATION PAD..... 61
 BALUN COIL..... 62
 1000Hz TONE..... 63
 ADD A SECOND BATTERY..... 64
 20 AMP POWER SUPPLY..... 65
 SIGNAL INJECTOR..... 66
 CMOS LOGIC PROBE..... 67
 REFERENCE OSC-DIVIDER..... 68
 READOUT MODIFICATION..... 69
 ASTATIC MIC MOD..... 70
 BILATERAL SWITCH..... 71
 PLL PINOUT DIAGRAMS..... 72-77
 THE "BANDIT" ANTENNA..... 53
 OOPS! WE GOOFED!
 VOL. 3, PAGE 25..... 78
 VOL. 6, PAGE 32..... 78
 VOL. 7, PAGE 43, 53, 63..... 78
 VOL. 8, PAGE 52..... 78
 VOL. 10, PAGE 2..... 78

VOLUME 12

SIMPLE CURE FOR RX-TX TRACKING PROBLEMS..... 21
 HAM RADIO CRYSTAL SELECTOR GUIDE..... 24
 VSB-1 HOOK-UP:
 TEABERRY STALKER XX..... 25
 REALISTIC TRC-490..... 25
 WARDS GEN-719A..... 25
 MODULATION ADJUSTMENTS FOR VARIOUS REALISTICS.... 33
 ZAPPER 9000 REDERENCE CHART..... 46
 ZAPPER TROUBLESHOOTING HINTS..... 47-48
 TC9106 PLL OPERATION ANALYSIS..... 50-53
 THE "SPREAD EAGLE" ANTENNA BREAK-THRU FOR TRUCKERS. 54-55
 BASIC PLL..... 56
 ELECTRONIC TERMINOLOGY..... 57
 SCANNER PROGRAMMING TIPS..... 58
 INTO THE KNOW WITH JAPANESE SEMICONDUCTORS..... 59
 TRANSISTOR SPECIFICATIONS..... 60
 RESISTOR COLOR GUIDE..... 61-62
 CAPACITOR CODES..... 62
 YOU CAN BUILD IT:
 "SECRET CB'S" SUPER-DUPER POWER
 SUPPLY CONTROLLER..... 63
 AUDIO TEST STATION..... 64
 POWER LINE FILTER - T.V.I. FILTER..... 65
 OOPS! WE GOOFED!
 VOL. 4, PAGE 38..... 66
 VOL. 10, PAGE 10, 16, 28..... 66
 VOL. 11, PAGE 3, 10, 15, 16, 71..... 66
 INDEX VOLUMES 1 THRU 11..... 67-78

VOLUME 13

PAGE #

INTRODUCING THE SOMMERKAMP TS-788DX..... 4-9
MB8719 PINOUT..... 32
AGC SELECTOR SWITCH..... 38
CYBERNET 02A CHASSIS..... 39
HOW TO HOOK UP A 10 TURN POT TO 2000 GTL..... 40
2824C OPERATION ANALYSIS..... 41-43
VSB-1 HOOK-UP: TRC-448 & MIDLAND 77-0004 4001.... 43-44
TROUBLESHOOTING CLARIFIER PROBLEMS ON THE 858.... 45-47
SUPER REGULATOR..... 48
BUILD A RECEIVER PREAMP..... 49
LINEAR NOTES..... 50-51
MODULATED GUNN OSCILLATOR..... 52-56
CYBERNET 02A AM POWER INCREASE..... 59
REALISTIC DX300 (20-204)..... 64
BEARCAT 250..... 65
OOPS! WE GOOFED!
VOL. 4, PAGE 39..... 66
VOL. 6, PAGE 3 & 12..... 66
VOL. 7, PAGE 54..... 66
VOL. 10, PAGE 25 & 48..... 66-67
VOL. 11, PAGE 4, 6, 10, 41, 75..... 67
INDEX VOLUMES 1 THRU 12..... 68-80

VOLUME 14

PAGE #

MB8719/11.3258 TRUTH TABLE..... 15-17
NEW PRODUCT: FM-30B THRU-LINE FREQ. COUNTER..... 18-19
NEW! "KIT A" FOR LC7130/7131 & TC9106P
CHIPS & INSTALLATION INSTRUCTIONS..... 20-40
BROWNING PING INFORMATION..... 41
25-29 MHz FREQUENCY ASSIGNMENTS..... 62-63
ELECTRONIC TERMINOLOGY..... 63
YOU CAN BUILD IT!
PET RECEIVER PRE-AMP..... 64
BUILD YOUR OWN SPACE SOUND..... 65
BUILD AN AMPLIFIER..... 66-67
INDEX FOR VOLUMES 1 THRU 13..... 68-80

VOLUME 15

PAGE #

NEW MICROSCAN PLUS SYSTEM..... 5-6
BREAKING THAT CHIP..... 7-11
02A TRUTH TABLE..... 12-13
MEASURE FREQUENCY ON SCOPE..... 17
PM77 POWER MODULATOR KIT..... 19
DIGITAL PROCESSOR KIT/UPD2824..... 28
WIRE GAUGE CONVERSION CHART..... 41
02A 23 CHANNEL AM MOD..... 59
POWER MOD. FOR AM UNITS..... 65
PRE-CONVERSION TIPS..... 70
CONVERT A SALVAGED METER TO VOLT METER..... 71
STATE/INTERNATIONAL DISIGNATORS..... 72
OOPS! WE GOOFED!
VOL. 12, PAGE 7..... 69
VOL. 13, PAGE 63..... 69
VOL. 14, PAGE 12..... 69
INDEX FOR VOLUMES 1 THRU 14..... 73-79

VOLUME 16

VSB-1 (COBRA 2000) UPDATE..... 6
SAMS CB MANUAL - OUT OF PRINT..... 7
CALL SIGNS/FREQUENCY CHARTS..... 9-20
HINTS/KINKS/GOOFS..... 31
M58472P PLL CHIP MOD..... 33
OSCILLATOR CHECKER, LOW CAPACITY PROBE..... 34
TROUBLESHOOTER GUIDE..... 35-36
INTO THE KNOW WITH POTS..... 37
"MY WAY" SLIDE..... 38
BLEED-OVER FILTER..... 40
LOOP FILTER - WHAT IS IT?..... 42
COLOR CODE GUIDE FOR CHOKES..... 42
ANTENNA INFORMATION..... 56
02A CLARIFIER/BANDSWITCH MOD..... 57-59
HIGH CURRENT METER..... 63-64
SWR VS REFLECTED POWER CHART..... 65
CUSTOM FREQUENCY STANDARD..... 66-67
CHECKING MODULATION..... 69
DIGITAL PROCESSOR KIT (#146) UPDATE..... 70-71
OOPS! WE GOOFED!
VOL. 1, PAGE 61..... 72
VOL. 12, PAGE 28..... 72
VOL. 13, PAGE 27..... 72
VOL. 14, PAGE 22, 41..... 72
VOL. 15, PAGE 63, 65..... 72
INDEX FOR VOLUMES 1 THRU 15..... 73-80

VOLUME 17

PAGE #

'B' KIT 4-33
SECRET CB KIT #106 for TRC-451..... 36-38
M58472P PLL CHIP (UPDATE)..... 39
FORGOTTEN ACCIDENT (23 ch. xtal conv. info)..... 39
148GTL-B SCHEMATIC..... 43
PALOMAR 2400 SCHEMATIC..... 44
COLT 510 SCHEMATIC..... 45
COMMTRON XII SCHEMATIC..... 45
HINTS/KINKS/GOOFS..... 46
U-BUILD IT - BURGLAR ALARM..... 48
U-BUILD IT - CUSTOM REGULATED POWER SUPPLY..... 49-50
GYPSY FREQUENCY CHART/KIT INFO..... 51-52
PLL CHIP INFO..... 59
REALISTIC PRO-54 SCANNER (D.C. MOD.)..... 62-64
VIDEO "DUBBING/COPYING" TIPS..... 64-65
VCR VIDEO MOD. TRS-80 VIDEO DISPLAY..... 66-69
OOPS! WE GOOFED!..CORRECTIONS:
VOL. 4, PAGE 54 - 02A CHIP INFO..... 70
VOL. 15, PAGE 58 - TRISTAR 747..... 70
VOL. 16, PAGE 50 - 148GTL-DX (EARLY)..... 70
VOL. 16, PAGE 72 - RAY JEFFERSON..... 70
INDEX VOLUMES 1 thru 16..... 71-78
OOPS! WE GOOFED! INDEX..... 78
CROSSWOOD PUZZLE..... 79

VOLUME 18

| | PAGE # |
|--|--------|
| SUPER STAR 360 SCHEMATIC..... | 4 |
| EXPORT ROUNDUP INFO..... | 5-12 |
| MB CHASSIS SERVICE NOTE..... | 13 |
| CAUTION-CIRCUITS-QUICKIE..... | 14 |
| SM5104 PLL FREQUENCY MOD. (AM CHASSIS)..... | 20-21 |
| 10KHz FLIP-FLOP..... | 23 |
| REALISTIC PRO-22 (SPECIAL NOTES)..... | 33 |
| PARTS INFO: LAFAYETTE, COLT, SBE, PALOMAR..... | 34 |
| TROUBLE SHOOTING TABLES - SSB UNITS: | |
| REC86345, 02A (2-BOARD), 858, 8734/8719, | |
| 2824/2816..... | 35-39 |
| LINEAR TIPS FOR SQUEAL ON TX..... | 41 |
| HINTS/KINKS/GOOFS..... | 42 |
| ROBYN OWNERS-PARTS SOURCE & TECH NOTES..... | 43 |
| HELP WANTED..... | 43 |
| 861PLL AM CHASSIS (UPDATE)..... | 45 |
| CONVERSION CHARTS..... | 46 |
| MB8719 WITH 11.1125 CRYSTAL INFO..... | 47 |
| RADIO SHACK MIKE WIRING..... | 48-49 |
| \$MONEY MAKERS\$..... | 50 |
| ANTENNA TUNING..... | 51 |
| KIT 137 INSTALLATION INSTRUCTIONS & SPEC..... | 52-53 |
| LARK FREQUENCY CHART..... | 54 |
| SAMS CB/SCANNER MANUAL '84 UPDATE..... | 55 |
| \$\$INDIVIDUAL I.R.A. - TUBES\$\$..... | 57 |
| SURVEY RESULTS..... | 58-59 |
| SAVE THE CHIP-MAYBE THE METER..... | 60 |
| REMOTE CONTROL OF AMPLIFIER..... | 61 |
| THINK SMALL! CRYSTAL INFO..... | 62 |
| VIDEO (UPDATE)..... | 63-65 |
| ANTENNA MOUNTING-MOBILE..... | 66 |
| VOLTAGE REGULATOR DISIGN..... | 69 |
| ALL ABOUT CRYSTALS..... | 70 |
| CORRECTIONS: | |
| VOL 5, PAGE 47 - MIDLAND 79-900..... | 62 |
| SECRET CB Kit 27A..... | 79 |
| VOL 9, PAGE 12 - CRAIG L-131/L-231..... | 79 |
| VOL 7, PAGE 28 - ROBYN SB-540-D..... | 79 |
| VOL 10, PAGE 49 - CRAIG L232/L132..... | 79 |
| INDEX VOLUMES 1 thru 17..... | 71-78 |
| WORKSHEET FORM..... | 80 |

"OOPS! WE GOOFED!" INDEX

| ORIGINAL VOLUME | PAGE # | CORRECTION IN VOLUME | PAGE # |
|-----------------|-----------|----------------------|--------|
| 1 | 23 | 5 | 18 |
| 1 | 61 | 16 | 72 |
| 2 | 20,21 | 5 | 18 |
| 3 | 4,7,11,25 | 5 | 18 |
| 3 | 25 | 11 | 78 |
| 3 | 33 | 5 | 18 |
| 3 | 33 | 10 | 71 |

| ORIGINAL VOLUME | PAGE # | CORRECTION IN VOLUME | PAGE # |
|-----------------|--------|----------------------|--------|
| 4 | 5 | 5 | 17 |
| 4 | 38 | 12 | 66 |
| 4 | 39 | 13 | 66 |
| 4 | 45,50 | 5 | 17 |
| 4 | 51 | 9 | 44 |
| 4 | 54 | 17 | 70 |
| 5 | 19,20 | 6 | 25 |
| 5 | 24,28 | 10 | 72 |
| 5 | 28 | 6 | 25 |
| 5 | 32 | 8 | 41 |
| 5 | 48 | 10 | 72 |
| 6 | 3,12 | 13 | 66 |
| 6 | 31-32 | 7 | 62-63 |
| 6 | 32 | 11 | 78 |
| 7 | 31 | 8 | 42 |
| 7 | 37 | 8 | 43 |
| 7 | 43 | 11 | 78 |
| 7 | 49 | 10 | 25 |
| 7 | 53 | 11 | 78 |
| 7 | 54 | 13 | 66 |
| 7 | 63 | 11 | 78 |
| 8 | 16-17 | 10 | 72-73 |
| 8 | 17 | 9 | 29 |
| 8 | 52 | 11 | 78 |
| 9 | 9 | 10 | 74 |
| 9 | 29 | 10 | 72 |
| 9 | 51 | 10 | 75 |
| 10 | 2 | 11 | 78 |
| 10 | 10,16 | 12 | 66 |
| 10 | 25 | 13 | 66 |
| 10 | 28 | 12 | 66 |
| 10 | 48 | 13 | 67 |
| 11 | 3 | 12 | 66 |
| 11 | 4,6 | 13 | 67 |
| 11 | 10 | 12 | 66 |
| 11 | 11 | 13 | 67 |
| 11 | 15,16 | 12 | 66 |
| 11 | 41 | 13 | 67 |
| 11 | 71 | 12 | 66 |
| 11 | 75 | 13 | 67 |
| 12 | 7 | 15 | 69 |
| 12 | 27,28 | 16 | 72 |
| 13 | 63 | 15 | 69 |
| 14 | 12 | 15 | 69 |
| 14 | 22,41 | 16 | 72 |
| 15 | 58 | 17 | 70 |
| 15 | 63,65 | 16 | 72 |
| 16 | 50 | 17 | 70 |
| 16 | 72 | 17 | 70 |



CORRECTION INDEX

VOLUME 7, page 46: see page 42 this volume...

VOLUME 11, page 10: see page 68 this volume...

VOLUME 18, page 23: see page 54 this volume...

VOLUME 18, page 26: see page 68 this volume...

X *Did not enter this correction due to unclarity*

One of our readers called in one day and said he had just finished with the conversion on page 13 of SECRET CB Volume 9 (Craig L-131, L-231). Said he changed Step #3 to read: Solder a wire to COM terminal on the board - NOT NUMBER 8. Said this takes radio way down. Don't really know if he meant this should be a correction or just a way to get the radio down. Sometime our notes from a telephone conversation are not too clear when we try to decipher them. This is the reason we need the information mailed in from you.

Notes

EXPERIMENT SHEET

(Permission to Copy - USE IT!)

Make/Manu: _____ Model-Type/No: _____ Serial #: _____

PLL Chip Type: _____

Logic Changes, special notes:

| Sel: | Fo's | Fo's | Fo's | Fo's | Fo's | Fo's |
|------|------|------|------|------|------|------|
| 1 | | | | | | |
| 2 | | | | | | |
| 3 | | | | | | |
| 4 | | | | | | |
| 5 | | | | | | |
| 6 | | | | | | |
| 7 | | | | | | |
| 8 | | | | | | |
| 9 | | | | | | |
| 10 | | | | | | |
| 11 | | | | | | |
| 12 | | | | | | |
| 13 | | | | | | |
| 14 | | | | | | |
| 15 | | | | | | |
| 16 | | | | | | |
| 17 | | | | | | |
| 18 | | | | | | |
| 19 | | | | | | |
| 20 | | | | | | |
| 21 | | | | | | |
| 22 | | | | | | |
| 23 | | | | | | |
| 24 | | | | | | |
| 25 | | | | | | |
| 26 | | | | | | |
| 27 | | | | | | |
| 28 | | | | | | |
| 29 | | | | | | |
| 30 | | | | | | |
| 31 | | | | | | |
| 32 | | | | | | |
| 33 | | | | | | |
| 34 | | | | | | |
| 35 | | | | | | |
| 36 | | | | | | |
| 37 | | | | | | |
| 38 | | | | | | |
| 39 | | | | | | |
| 40 | | | | | | |