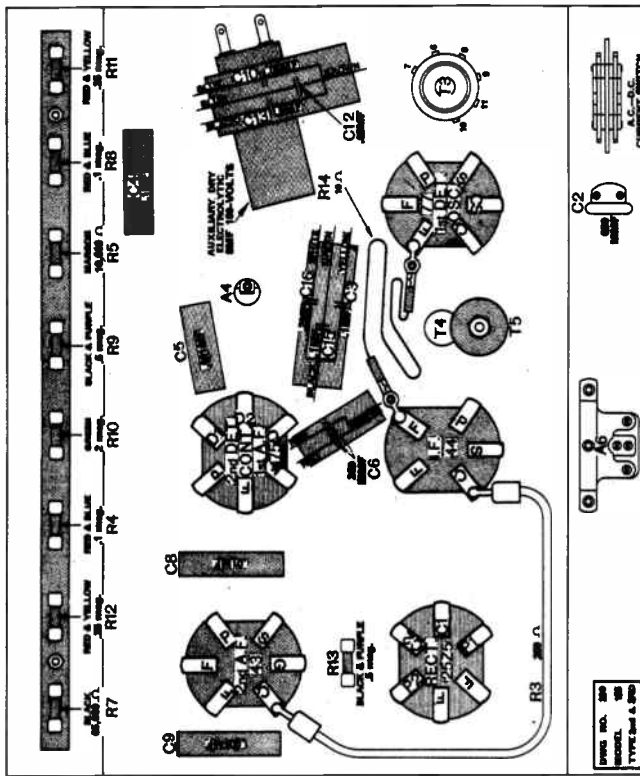


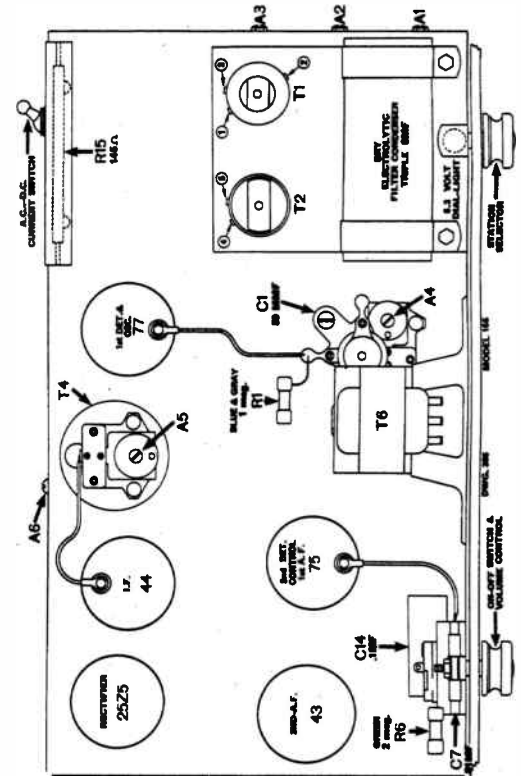
ATWATER KENT RADIO

SERVICE DATA FOR

MODELS 155 (2nd Type), 636, 756, and 756-B



Arrangement of parts under chassis in 2nd-type Model 155 above Serial No. 7086900.



Top view of 2nd-type Model 155, showing location of tubes and trimmers.

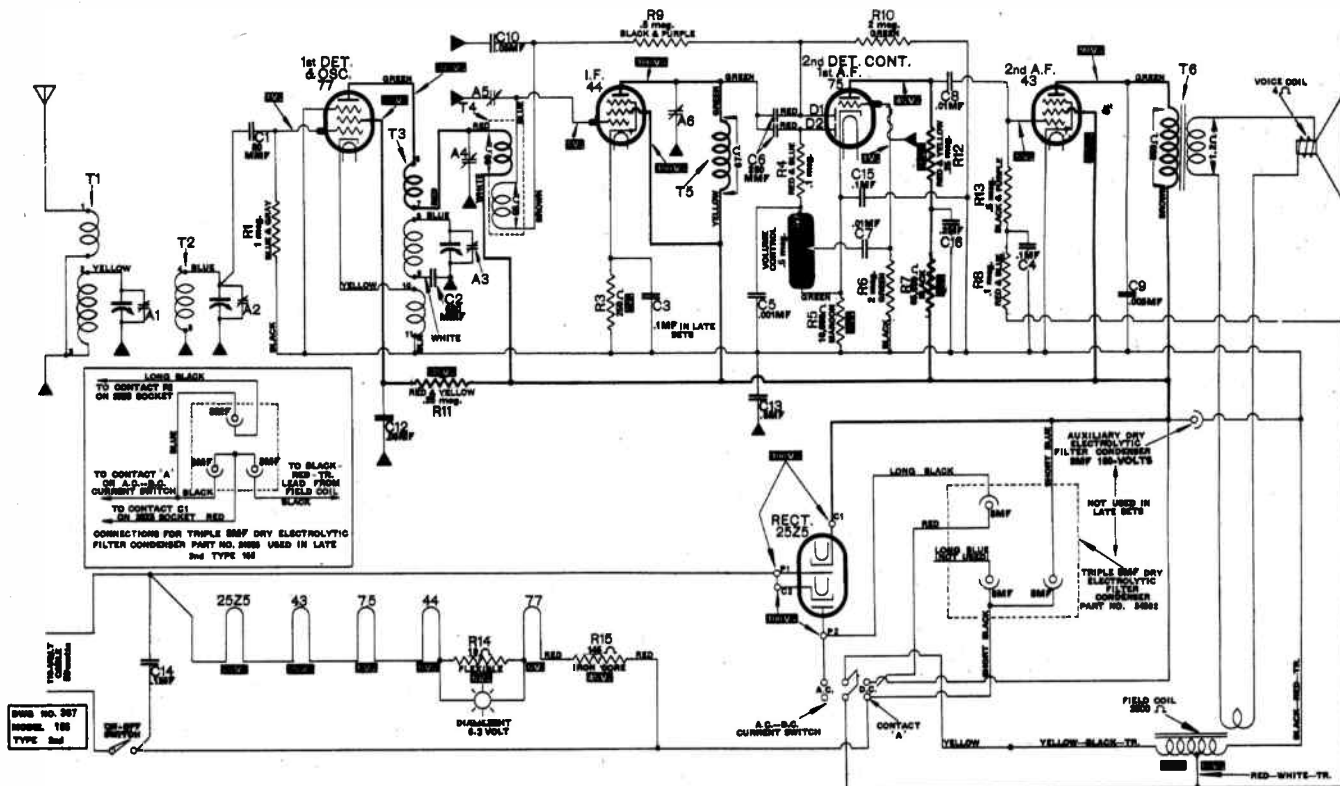
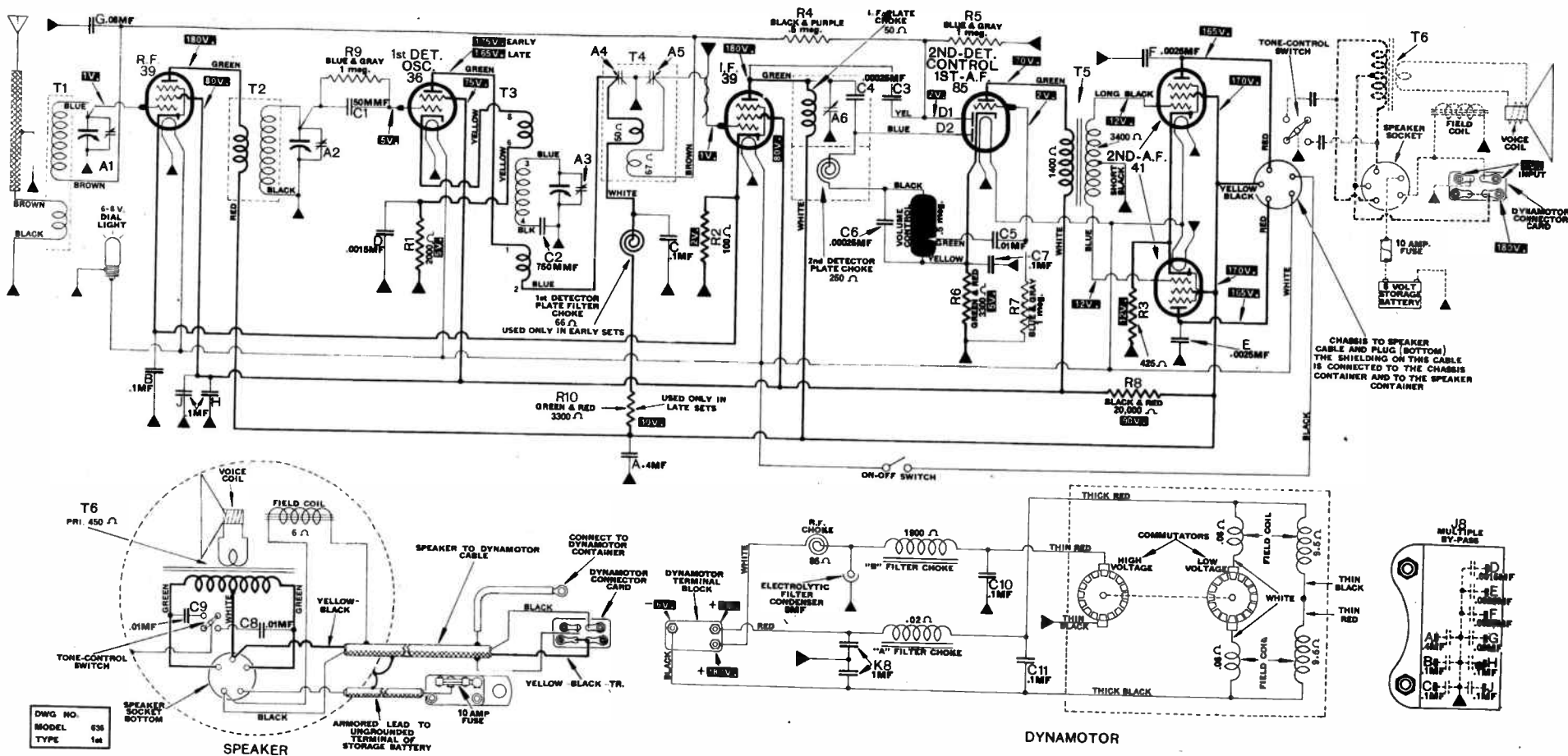


Diagram of 2nd-type Model 155 above Serial No. 7086900. Voltages shown above are for a line supply of 110-volts A.C.

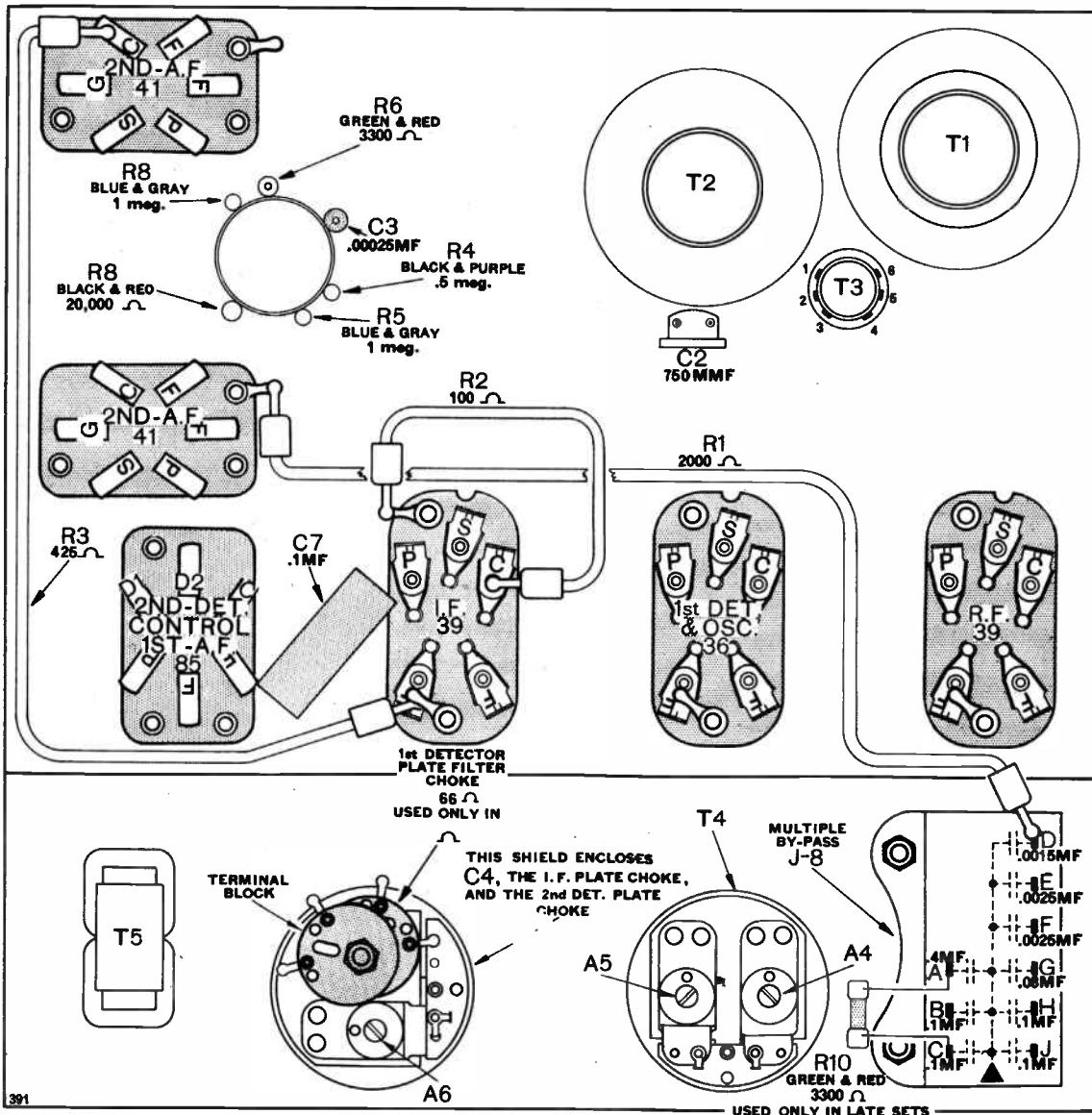
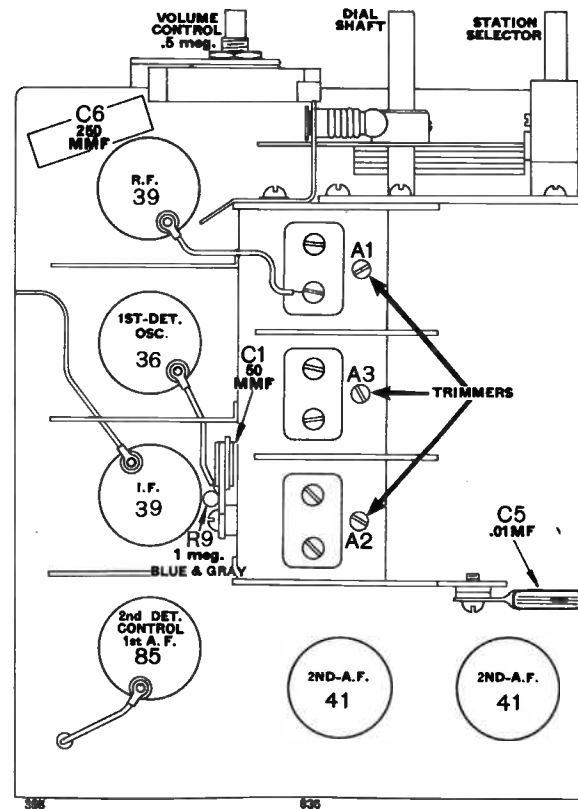
Copyright, 1938, By ATWATER KENT MFG. CO. Printed in U. S. A.

ATWATER KENT RADIO MODEL 636 MOTOR CAR RADIO (Intermediate frequency, 262½ kilocycles)



2

ATWATER KENT RADIO
MODEL 636 MOTOR CAR RADIO—Top View and Chart

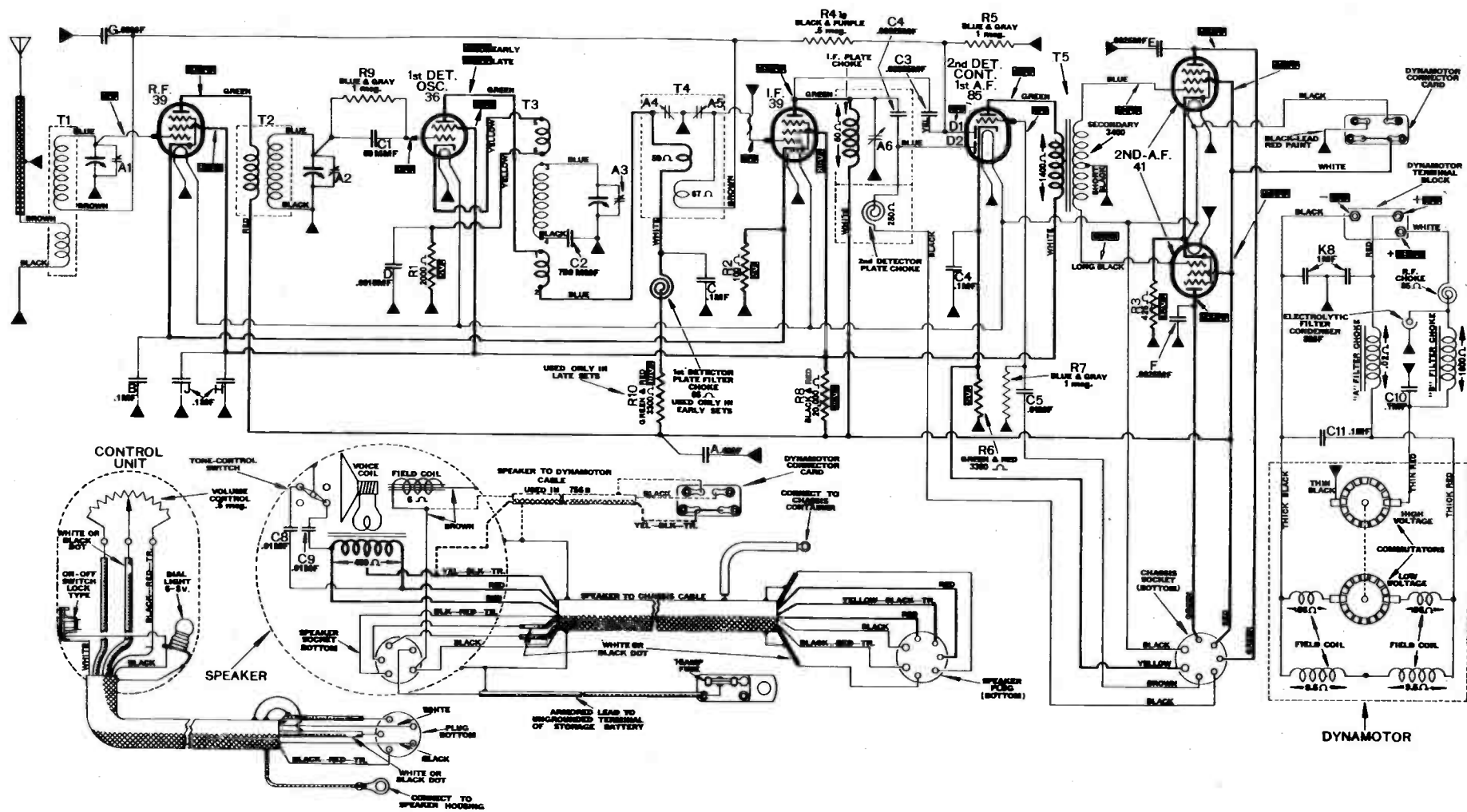


April 1938.

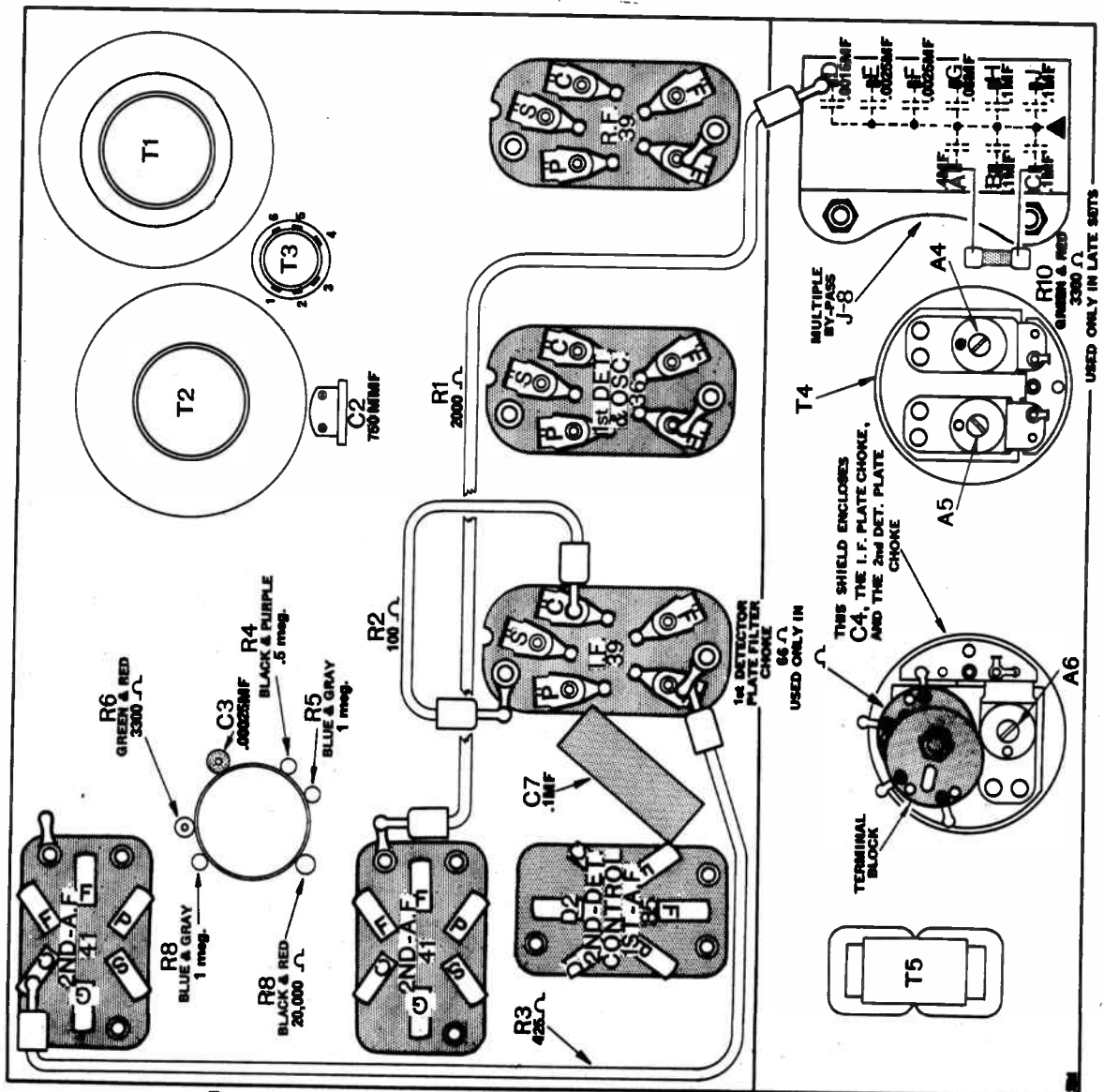
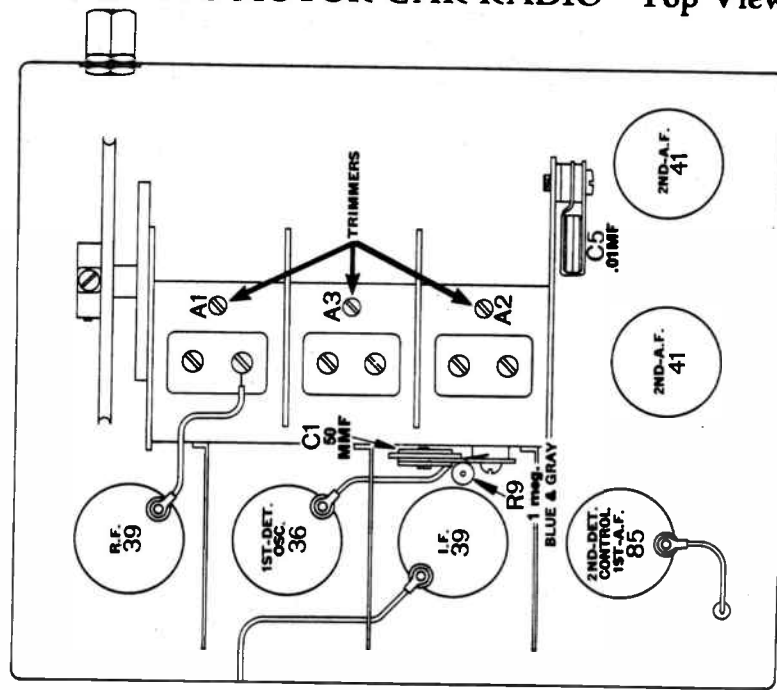
3

391

ATWATER KENT RADIO MODEL 756 AND 756-B MOTOR CAR RADIO (Intermediate frequency, 262½ kilocycles)



ATWATER KENT RADIO MODEL 756 AND 756-B MOTOR CAR RADIO—Top View and Chart



ATWATER KENT RADIO

PARTS AND PRICE LIST FOR MODEL 636, No. 32100 MOTOR CAR RADIO

Part No.	Name of Part	List Price
24472	Set container, less lid.....	\$ 3.60
24335	Set container lid.....	.40
24473	Tuning dial housing.....	1.20
24095	Dial assembly.....	.30
24083	Escutcheon.....	.70
24334	Escutcheon spacing bushing.....	.60/C
21407	Dial light 6-8 V.....	.20
24256	Dial light socket.....	.12
24169	Dial knob.....	.20
24098	Volume control .5 meg.....	.55
24075	Volume control mounting bracket.....	.10
24169	Volume control knob.....	.20
20093	Volume control mounting nut.....	.02
21491	Lock switch.....	.40
20976	Key.....	.05
24842	Variable condenser rotor, stator and frame.....	3.75
24145	Dial knob shaft.....	.04
20116	Dial knob shaft bracket.....	.20
17961	Dial rubber and bushing.....	.15
24142	Dial gear and balance weight.....	.30
24111	Chassis-to-speaker cable and plug (5 wires 3' 6" long).....	1.65
18582	Speaker plug (5 prongs).....	.15
24452	Antenna lead shielding.....	.15
24453	Antenna lead insulation (rubber tubing 24" long).....	.05
22027	Antenna lead bushing clamp.....	.04
24946	Operation & installation instructions, net.....	.05
24268	Shipping container.....	.30

TRANSFORMERS

Dia. Code No.	Part No.	Description	List Price
T-1			
T-2	25013	R. F. Transformer group.....	\$ 3.00
T-3			
T-4	24296	I. F. Transformer.....	.70
T-5	24175	Audio input transformer.....	2.40
T-6	24357	Audio output transformer.....	1.75

CONDENSERS

C-1	30260	50 MMF, 450-volts.....	\$.15
C-2	30580	775 MMF (marked "750 MMF" on some units).....	.35
C-3	**30240	250 MMF, 200-volts.....	.15
C-4	**30240	250 MMF, 200-volts.....	.15
C-5	23250	.01 MF, 450-volts.....	.31
C-6	30240	250 MMF, 200-volts.....	.15
C-7	26660	.1 MF, 200-volts.....	.25
C-8	*27630	.01 MF, 200-volts.....	.20
C-9	*27630	.01 MF, 200-volts.....	.20
C-10	26660	.1 MF, 200-volts.....	.25
C-11	26660	.1 MF, 200-volts.....	.25
K-8	31670	Double 1 MF, 100-volts.....	.90
J-8	30470	Multiple by-pass.....	1.25
	24298	Dry electrolytic filter condenser 8 MF, 250-volts.....	.65

*In late sets, C-8 and C-9 are combined in one double condenser No. 31190. List Price \$.23.
 **In late sets, C-3 and C-4 are combined in one double condenser No. 31140. List Price \$.20.

RESISTORS

R-1	21030	2000 ohms.....	\$.16
R-2	20040	100 ohms.....	.17
R-3	17380	425 ohms.....	.15
R-4	30350	Black-purple 500,000 ohms 1/3 watt.....	.10
R-5	30360	Blue-gray 1,000,000 ohms 1/3 watt.....	.10
R-6	30380	Red-green 3,300 ohms 1/3 watt.....	.10
R-7	30360	Blue-gray 1,000,000 ohms 1/3 watt.....	.10
R-8	23120	Red-black 20,000 ohms 1/2 watt.....	.10
R-9	30360	Blue-gray 1,000,000 ohms 1/3 watt.....	.10
R-10	30380	Red-green 3,300 ohms 1/3 watt.....	.10

(R-10 is not used in early sets)

TRIMMER CONDENSERS

A-4 & A-5	30750	Double I. F. Trimmer.....	\$.35
A-6	30760	Single I. F. Trimmer.....	.25

CHOKES

Part No.	Name of Part	List Price
24297	I. F. Plate choke.....	\$.40
30690	2nd Detector plate choke.....	.30
*19210	1st Detector plate filter choke.....	.15
17015	R. F. Choke.....	.25
**31680	"A" Filter choke unit.....	1.00
22359	"B" Filter choke unit.....	.85

*Not used on late sets.
 **Not used on early sets

SOCKETS

21041	5-Prong tube socket.....	\$.18
22733	6-Prong tube socket.....	.10
17377	Socket insulator.....	.10/C

DYNAMOTOR

30870	DYNAMOTOR & FILTER assembly, complete with container and lid.....	\$19.50
30860	Dynamotor & filter assembly, less container and lid.....	17.25
24148	Dynamotor container, less lid.....	1.85
24149	Dynamotor container lid.....	.40
24146	Dynamotor mounting stud.....	.10
24164	Dynamotor mounting nut.....	.30/C
30770	Dynamotor terminal block.....	.30
24096	Dynamotor only.....	16.00
24978	Cover.....	1.55
24984	Cover mounting nut.....	.04
24985	Cover mounting lockwasher.....	.02
24979	Field coils (set of 2).....	1.60
24993	Field coil wedges.....	.03
24988	Field studs.....	.10
24991	Field stud sleeve No. 1.....	.06
24992	Field stud sleeve No. 2.....	.06
24981	Armature complete.....	11.50
24982	Brush holder plate complete with brushes (low voltage side).....	1.40
24976	Brush (low voltage side).....	.15
24983	Brush holder plate complete with brushes (high voltage side).....	1.40
24977	Brush (high voltage side).....	.15
24987	Brush holder spring.....	.10
24986	Brush holder spring insulating eyelet.....	.02
24994	Brush holder sleeve.....	.06
24995	End play washer .246" x 27/32" x 1/32".....	.02
24996	End play washer 17/64" x 1/2" x 1/32".....	.02
24997	End play washer 17/64" x 1/2" x .007".....	.02
24989	Insulating bushing (rubber).....	.05

MISCELLANEOUS PARTS

24137	Set container mounting rod.....	\$.30
24109	Cast dash bushing.....	.08
24415	Mounting lockwasher 5/16".....	.25/C
24416	Mounting nut 5/16".....	.55/C
24246	Instrument panel mounting strip.....	.22
24413	Instrument panel mounting screw, 1/4"-1" long.....	.35/C
24414	Dynamotor container mounting screw, 1/4"-2 1/4" long.....	.02
24164	Mounting nut 1/4".....	.30/C
21142	Mounting washer 5/16".....	.60/C
21141	Mounting lockwasher 1/4".....	.30/C
24418	Ground lead and terminal 2 ft. long.....	.20
24336	R. F. Transformer shield.....	.30
24459	I. F. Transformer shield.....	.25
24458	I. F. Plate choke shield.....	.20
24273	Shielded grid lead & cap.....	.10
24409	Aluminum disc shield.....	.07
24267	Clamp for No. 24111 cable.....	.03

INTERFERENCE SUPPRESSOR PARTS

21143	Spark plug suppressor.....	\$.30
21144	Distributor suppressor.....	.30
23520	Ignition filter.....	2.00
23260	Generator condenser.....	1.05

ATWATER KENT RADIO

PARTS AND PRICE LIST FOR No. 32600 SPEAKER USED IN MODEL 636

Part No.	Name of Part	List Price	Part No.	Name of Part	List Price
21051	Speaker housing only	\$ 1.25	19454	Top pole piece	\$.25
24447	Name plate	.08	19457	Center pole piece	.30
21337	Socket	.20	24357	OUTPUT TRANSFORMER (T-6)	1.75
17377	Socket insulator	.10/C	31190	Tone control condenser (C-8, C-9)	.23
31040	Tone control switch complete	.25	24477	Clamp for No. 31190 condenser	.03
24397	Tone control switch shaft & blade	.05	21161	DIAPHRAGM	1.05
24072	Tone control switch shaft bearing	.03	24112	Speaker-to-dynamotor cable (2 wires, 9 1/2 ft. long)	1.50
20096	Tone control switch shaft key	.20/C	21315	Clamp for No. 24112 cable	.01
20093	Tone control switch mounting nut	.02	23147	Fuse socket	.25
21963	Tone control switch knob	.16	21406	Fuse 10 Amperes	.05
21053	Speaker grille	.45	24353	Armored cable to ungrounded side of battery (1 wire 5 ft.)	.20
19475	Grille spacer ring (cardboard)	.15	21162	Clamp for No. 24353 cable	.01
19484	Diaphragm or cone housing	.60	21263	Rubber grommet for No. 24112 cable	.05
30710	FIELD COIL	1.25	15113	Dynamotor connector card	.06
19455	Speaker mounting washer	.10			
24485	Speaker mounting lockwasher	.35/C			
24486	Speaker mounting nut	.01			

PARTS AND PRICE LIST FOR MODEL 756, No. 32200 MOTOR CAR RADIO

Note: All parts not listed below will be found under Model 636, No. 32100, on page 6.

Part No.	Name of Part	List Price	Part No.	Name of Part	List Price
24151	Set container, less lid	\$ 5.15	21507	Steering column clamp set screw	\$.01
24398	Set container lid and gasket	.70	21324	Steering column cable strap	.03
24338	Set container lid gasket (cork)	.06	24832	Dial strip	.17
24339	Cable cover gasket (cork)	.02	21494	Dial lamp socket	.15
24544	Speaker-to-chassis cable cover and gasket	.35	21407	Dial lamp (6-8 volts, 1/4 ampere)	.20
24368	Cable gasket (sponge rubber)	.01	24169	Dial knob	.20
24452	Antenna lead shielding 33" long	.15	23685	Dial knob shaft and pinion gear	.20
24453	Antenna lead insulation (rubber tubing 24" long)	.05	23686	Dial knob shaft spring	.05
22027	Antenna lead bushing clamp	.04	21482	Dial gear	.35
24847	Variable condenser rotor, stator and frame	4.00	21479	Dial gear bearing screw	.60/C
21126	Control pulley	.25	21483	Dial gear washer	.30
21127	Control pulley spring	.25	21484	Station selector cable 9' 11" less sheathing	.60/C
20928	Control pulley centering ring	.02	21851	Station selector cable sheathing 9 ft. long	.70
24491	Socket (7 prong)	.10	21485	Station selector cable clamping plate	.01
24093	Socket mounting bracket	.10	21486	Clamping plate screw	.30/C
24497	Template and unpacking notice	net .01	21487	Station selector cable chuck complete	.25
24946	Operation and installation instructions	net .05	21141	Cable chuck lockwasher	.30/C
24289	Shipping container	net .30	24522	Remote control unit-to-speaker cable and plug (5 wires 5' long)	2.50
31080	REMOTE CONTROL UNIT COMPLETE	10.25	18582	Plug (5 prong)	.15
21501	Control case	.50	24498	Clamp for No. 24522 cable	.03
21502	Control case insulation	.03	21491	Lock switch	.40
21495	Control case mounting screw	.20/C	21585	Lock switch lockwasher	.01
24097	Name plate	.40	21584	Lock switch mounting nut	.03
21499	Control unit base	.55	20976	Switch key	.05
21503	Steering column clamp	.15	21496	Volume control	.55
21504	Leather for steering column clamp	.06	21325	Volume control knob	.12
21505	Steering column clamp screw	.60/C	21497	Volume control mounting nut	.02
17432	Steering column clamp lockwasher	.25/C	22597	Volume control fibre washer (large)	.02
			21586	Volume control fibre washer (small)	.02

PARTS AND PRICE LIST FOR No. 32700 SPEAKER USED IN MODEL 756

Note: All parts not listed below will be found under No. 32600 Speaker listed above.

Part No.	Name of Part	List Price	Part No.	Name of Part	List Price
24516	Speaker-to-chassis cable & plug (7 wires, 10 ft. long)	\$ 3.75	24448	Name plate	\$.08
24833	Speaker-to-chassis cable plug	.10	24498	Clamp for No. 24516 cable	.03
			21263	Rubber grommet for 24516 cable	.05

PARTS AND PRICE LIST FOR MODEL 756-B, No. 33600 MOTOR CAR RADIO

Note: All parts not listed below will be found under Model 756, No. 32200, listed above.

Part No.	Name of Part	List Price	Part No.	Name of Part	List Price
25047	Chassis container, with gasket, less lid	\$ 4.00	24148	Dynamotor container, less lid	\$ 1.85
25046	Chassis container lid	.45	24149	Dynamotor container lid	.40
25048	Chassis container lid gasket (rubber)	.10			

PARTS AND PRICE LIST FOR No. 33700 SPEAKER USED IN MODEL 756-B

Note: All parts not listed below will be found under No. 32700 Speaker listed above.

Part No.	Name of Part	List Price	Part No.	Name of Part	List Price
24112	Speaker-to-dynamotor cable (2 wires, 9 1/2 ft. long)	\$ 1.50	24885	Speaker-to-chassis cable and plug (7 wires, 4 ft. long)	\$ 2.55

EXTRA-LENGTH CABLES FOR MODEL 636 AND 756 MOTOR CAR RADIO

Part No.	Name of Part	List Price
25036	Chassis-to-speaker cable (636) per ft.....	\$.16
25037	Speaker-to-dynamotor cable (636 and 756-B) per ft.....	.10
25038	Speaker-to-chassis cable (756 and 756-B) per ft.....	.22
25039	Remote control unit-to-speaker cable (756 and 756-B) per ft.....	.20

Part No.	Name of Part	List Price
21652	Station selector cable (756 and 756-B) per ft.	\$.03
Extra length station selector cable sheathing is furnished only in 10, 15 or 30 ft. lengths.		
10 ft. No. 21653	Sheathing.....	.80
15 ft. No. 21653	Sheathing.....	1.20
30 ft. No. 21653	Sheathing.....	2.40

PARTS AND PRICE LIST FOR 2nd TYPE MODEL 155, No. 32800

ABOVE SERIAL No. 7086900

For parts not listed below, please order by description or name of part and model number of set.

Part No.	Name of Part	List Price
24293	Volume control complete less leads, .5 meg.	\$.75
24722	Cabinet, complete	3.50
24602*	Triple dry electrolytic condenser, 8, 8, 8MF, 150-volts	1.50
24939*	Auxiliary dry electrolytic condenser, 8MF, 150-volts	.55

* In late 2nd-type 155, the No. 24602 and No. 24939 dry electrolytics are combined in one new-style triple dry electrolytic condenser No. 24955, list price \$1.50.

TRANSFORMERS

Dia. Code No.	Name of Part	Below	From	Above
		Serial No. 7086900	Serial No. 7086900 to 7088700	Serial No. 7088700
T-1	No. 1 R. F. T.	\$1.00	\$1.00	\$1.00
T-2	No. 2 R. F. T.	\$1.00	\$1.00	\$1.00
T-3	Osc. trans.	\$.70	\$.70	\$.70
T-4	31790 No. 1 I. F. transformer			.65
T-5	31780 No. 2 I. F. transformer			.35
T-6	24897 Output transformer			.85

RESISTORS

R-1	30360	Blue-gray	1,000,000 ohms, 1/3 watt.	\$.10
R-3	31830	Flexible	250 ohms	.17
R-4	30340	Red-blue	100,000 ohms, 1/3 watt.	.10
R-5	30320	Maroon	10,000 ohms, 1/3 watt.	.10
R-6	30370	Green	2,000,000 ohms, 1/3 watt.	.10
R-7	31980	Black	65,000 ohms, 1/3 watt.	.10
R-8	30340	Red-blue	100,000 ohms, 1/3 watt.	.10
R-9	30350	Black-purple	500,000 ohms, 1/3 watt.	.10
R-10	30370	Green	2,000,000 ohms, 1/3 watt.	.10
R-11	31970	Red-yellow	250,000 ohms, 1/3 watt.	.10
R-12	31970	Red-yellow	250,000 ohms, 1/3 watt.	.10
R-13	30350	Black-purple	500,000 ohms, 1/3 watt.	.10
R-14	16610	Flexible	19 ohms	.15
R-15	31690	Iron core	145 ohms	.30

FIXED CONDENSERS

Dia. Code No.	Part No.	Description	List Price
C-1	30260	50MMF, letter E stamped on washer.	\$.15
C-2	31180	680MMF, 100 volts	.35
C-3			
C-15	31910	.1MF, .1MF, and .2MF, 100 volts	.40
C-16			
C-4	26660	.1MF, 200 volts	.25
C-5	31540	.001MF, 200 volts	.22
C-6	31140	250MMF (double) 200 volts	.20
C-7	23250	.01MF, 450 volts	.31
C-8	27830	.01MF, 200 volts	.20
C-9	28040	.005MF, 200 volts	.20
C-10			
C-12	31890	.05MF, .05MF, and .5MF, 100 volts	.45
C-13			
C-14	26660	.1MF, 200 volts	.25

No. 24942 SPEAKER USED IN 2ND TYPE MODEL 155

Part No.	Name of Part	List Price
24942	Speaker, complete	\$.325
24897	Output transformer (T-6)	.85
25053	Field coil (2500 ohms)	1.25
24895	Cone assembly	1.65

MISCELLANEOUS PARTS

Part No.	Name of Part	List Price
24908	Instruction and log card (F-1056)	net\$.01
24733	110-volt cable and plug	.60
24727	Antenna lead (30 feet)	.75
24278	Knob for volume control or station selector	.10
24892	A. C.-D. C. current switch	.60