

**de**

THE SOUND ENGINEERING MAGAZINE

MARCH 1973

\$1.00

**Tape Issue**

DAVID R BLOCK  
APT 303  
489 S SNELLING  
ST PAUL MN 55116  
M3

# LATE. AS USUAL.



We can make every claim in the book for our 16-track recorder—and back it up.

Except one.

We'll never tell you that Gotham was first in the U.S. with this kind of product.

More like last.

Because, when any new product is issued, we think it's in your best interest for us to sit on the sidelines while it's being tested elsewhere in the world. And de-bugged. And made perfect.

That's why we waited so long to introduce Studer's revolutionary 16-track magnetic tape recorder—until it had been groomed at some fifty studios around the world.

Now it's ready for you: Relay-less motion logic, separate sync playback system, constant tape tension, plus full remote control capability. Weston VU meters on every channel.

And no bugs!

It took the precision-minded Swiss craftsmen at Studer four years to develop the A-80. It's available in any configuration from ¼" mono to 2" sixteen-track, and soon twenty-four-track as well.

## STUDER A80

SOLD OR LEASED DIRECTLY BY  
**GOTHAM**  
AUDIO CORPORATION

Headquarters: 741 Washington Street  
New York, NY 10014 (Tel: 212-741-7411)  
West Coast Sales Office: 1710 N. La Brea Ave  
Hollywood, CA 90046 (Tel: 213-874-4444)

# COMING NEXT MONTH

● April is the pre-AES Convention issue. So we will have a map and guide to the show, of course. But that's not all!

A picture report on the AES Convention that was held in February in Rotterdam, Holland will be included.

There will be **db** VISITS picture and text stories as our camera and notebooks spent time at the following European audio leaders:

Neve in England.

Dolby Labs in England.

Beyer Microhones in Germany.

Studer/Franz and Studer/Revox in Regensdorf, Switzerland.

This issue, then will be a revealing glimpse into the manufacturing techniques and philosophies of European companies that are well known to American audio professionals. It will be an issue not to be missed.

And there will be our regular columnists: George Alexandrovich, Norman H. Crowhurst, Martin Dickstein, and John Woram. Coming in **db**, The Sound Engineering Magazine.



THE SOUND ENGINEERING MAGAZINE

MARCH 1973 VOLUME 7, NUMBER 3

31	ELECTRONIC SIGNAL SWITCHING FOR TAPE RECORDERS Clive Ross
34	BETTER TAPE HEAD AZIMUTH ADJUSTMENT J. Ross Macdonald and C. A. Barlow, Jr.
38	BIAS ADJUSTMENT WITH A HARMONIC DISTORTION ANALYZER Paul Berkowitz
40	A MODERN TAPE RECORDER DESIGN Claude Karczmer
2	LETTERS
4	THE AUDIO ENGINEER'S HANDBOOK George Alexandrovich
10	THEORY AND PRACTICE Norman H. Crowhurst
17	THE SYNC TRACK John Woram
20	SOUND WITH IMAGES Martin Dickstein
26	NEW PRODUCTS AND SERVICES
44	BOOKCASE
46	CLASSIFIED
48	PEOPLE, PLACES, HAPPENINGS

**db** is listed in **Current Contents: Engineering and Technology**,

**Robert Bach**  
PUBLISHER

**Larry Zide**  
EDITOR

**Bob Laurie**  
ART DIRECTOR

**John Woram**  
ASSOCIATE EDITOR

**A. F. Gordon**  
CIRCULATION MANAGER

**Marilyn Gold**  
COPY EDITOR

**Eloise Beach**  
ASST. CIRCULATION MGR.

**Richard L. Lerner**  
ASSISTANT EDITOR

GRAPHICS **Crescent Art Service**

# ABOUT THE COVER

● Tape is the subject of every feature article in this issue.

db, the Sound Engineering Magazine is published monthly by Sagamore Publishing Company, Inc. Entire contents copyright © 1973 by Sagamore Publishing Co., Inc., 980 Old Country Road, Plainview, L.I., N.Y. 11803. Telephone (516) 433 6530. db is published for those individuals and firms in professional audio-recording, broadcast, audio-visual, sound reinforcement, consultants, video recording, film sound, etc. Application should be made on the subscription form in the rear of each issue. Subscriptions are \$6.00 per year (\$7.00 per year outside U. S. Possessions, Canada, and Mexico) in U. S. funds. Single copies are \$1.00 each. Controlled Circulation postage paid at Harrisburg, Pa. 17105. Editorial, Publishing, and Sales Offices: 980 Old Country Road, Plainview, New York 11803. Postmaster: Form 3579 should be sent to above address.

db March 1973



# letters

The Editor:

The December article about hearing by Marshall King contains so many statements that are merely old wives' tales that I think your readers should be reassured.

(1) King says that the damage from indoor "more concentrated" sounds is "certain to be greater" than outdoor noises. This is not so; all that matters is the decibel level at the ear, and whether indoors or out is irrelevant.

(2) He says that some mixers "can't hear much over eight thousand and very little under a hundred." The first half of this statement may be correct, but one does not lose hearing at low frequencies until everything else is shot. The medium highs (3000-6000) usually go first, then the extreme highs, and then the mediums (2000 and below, progressively).

(3) He is surprised that these people can still do good work despite hearing loss. He is apparently not aware of a phenomenon called *recruitment*. Even when a hearing loss (a permanent shift of auditory sensitivity) is as high as 50 to 60 decibels, a sound played at 100 dB s.p.l. will nevertheless sound just as loud as in a normal ear. Only when the losses are nearly complete (90 to 100 dB or more) will what is heard at high levels be distorted, in a musical sense, enough to matter.

(4) The analogy between t.t.s. (the temporary shift of the auditory threshold) and the process of dark-and-light-adaptation in the eye is at best misleading. Visual adaptation is normal, but t.t.s. is not. It's always potentially dangerous.

(5) On the other hand, how much you have inched your monitor pot setting up during the day is *not* a "measure" of the t.t.s. In fact, they are essentially unrelated, although of course the higher you have set the monitor level, the more t.t.s. you will therefore have. But the numbers of decibels in the two cases are not the same.

(6) Infrasonic noise (too low in pitch to hear) has not been shown to produce any effects, the popular press to the contrary notwithstanding.

(7) In general, the most t.t.s. from a pure tone will be found half an octave above that tone, not at the exposure frequency itself.

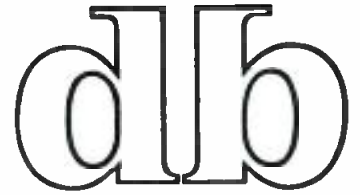
(8) There is no good evidence for the proposition that hearing degenerates from disuse. The state of your hearing at age 65 will depend on (1) how careful you are not to expose your ears to noises that are loud for too long, and (2) how careful in choice of parents you were.

(9) Headphones are indeed dangerous, if you plug into the wrong jack. But if your eardrum ruptures when this happens, consider yourself lucky; the eardrum can be repaired (it usually does spontaneously), but the hair cells of the inner ear cannot. In two studies of explosions in chemical factories, it has been found that those ears with ruptured eardrums had much less permanent loss than those that did not rupture. In a sense, then, the eardrum is therefore a safety valve.

(10) The notion that swimming can cause a bony growth that narrows the ear canal is utter nonsense.

However, the main point of the article is correct: avoid long exposures at high intensities. Somehow King got to the right recommendation despite the misinformation!

*W. Dixon Ward, Ph.D.  
Hearing Research Laboratories  
Minneapolis, Minn.*



THE SOUND ENGINEERING MAGAZINE

## SALES OFFICES

### New York

980 Old Country Road  
Plainview, N.Y. 11803  
516-433-6530

### Dallas

Roy McDonald Associates, Inc.  
Semmons Tower West  
Suite 714  
Dallas, Texas 75207  
214-637-2444

### Denver

Roy McDonald Associates, Inc.  
846 Lincoln Street  
Denver, Colorado 80203  
303-825-3325

### Houston

Roy McDonald Associates, Inc.  
3130 Southwest Freeway  
Houston, Texas 77006  
713-529-6711

### Los Angeles

Roy McDonald Associates, Inc.  
500 S. Virgil  
Suite 360  
Los Angeles, California 90020  
213-483-1304

### Portland

Roy McDonald Associates, Inc.  
2305 S. W. 58th Avenue  
Portland, Oregon 97221  
503-292-8521

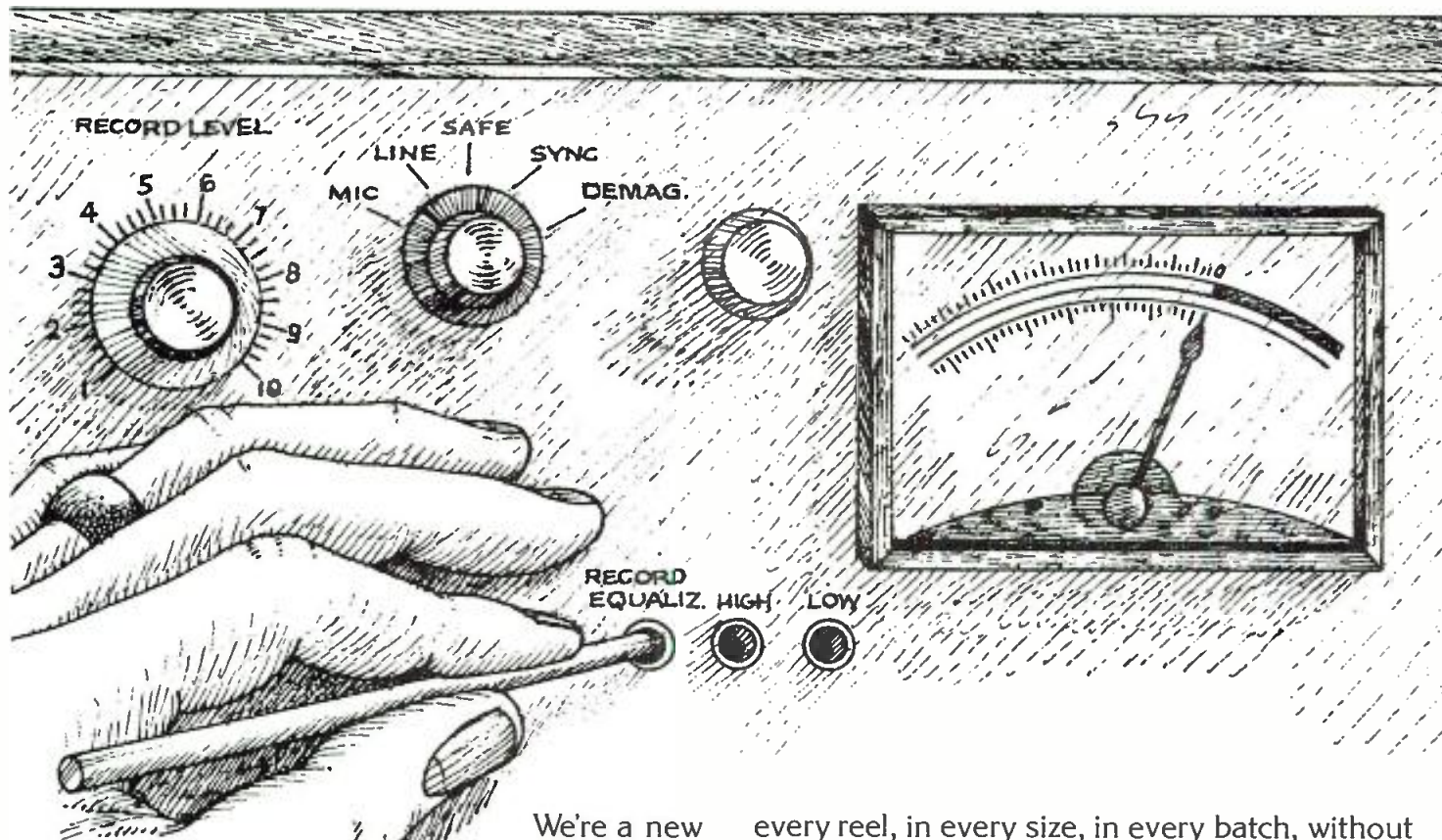
### San Francisco

Roy McDonald Associates, Inc.  
625 Market Street  
San Francisco, California 94105  
415-397-5377

## advertisers index

AKG . . . . .	12
American Wilderness . . . . .	23
Ansafone . . . . .	45
Ampex . . . . .	8
Audiotronics . . . . .	41
Community Light & Sound . . . . .	14
dbx . . . . .	14
Dictaphone/Scully . . . . .	21
Electro-Voice . . . . .	Cover 4
Gately Electronics . . . . .	29
Gotham Audio . . . . .	Cover 2
Infonics . . . . .	37
Interface Electronics . . . . .	37
Koss . . . . .	27
Maxell . . . . .	3
MCI . . . . .	5, 18
Miller-Stephenson . . . . .	39
Phase Linear . . . . .	7
Quad-Eight . . . . .	11
Ramko Research . . . . .	10
RCA Records . . . . .	24, 25
Rectilinear Research . . . . .	13
Schoeps . . . . .	43
Shure . . . . .	15, 35
Sparta . . . . .	19
Spectra-Sonics . . . . .	30
Studer . . . . .	Cover 2
Tascam . . . . .	9
Telex . . . . .	16
Timekeeper . . . . .	Cover 3
UREI . . . . .	6
Windjammer . . . . .	22

# We offer you better quality masters, but you'll have to work for them.



We're a new mastering tape formulation, so the limits of older tapes don't apply to us. Initially, our extra quality needs some getting used to. To upgrade your original recordings, you'll have to adjust your equalization and bias controls to our specifications. That's not much work, but it's necessary. And it's worth it.

When you play back your first reel of Maxell mastering tape you'll notice how clean it works. Our tape doesn't use a carbon backing so there's no messy carbon shedding. Sheddings cause noise, thumping and interference. On the reel, carbon can also transfer to the recording surface and cause dropouts.

Because of the care we take in the manufacturing process, you won't find any pinholes in our oxide coating. No pinholes and no shedding mean Maxell mastering tape is virtually 100% free from dropouts.

And you get Maxell's low noise level, wide range and freedom from distortion with

every reel, in every size, in every batch, without fail. That's a statement about quality performance you won't find other manufacturers making anymore. We're eager to draw your attention to the edge-to-edge, end-to-end quality you'll find in Maxell mastering tape.

Send in the coupon for documented evidence about Maxell tape performance. Then think about the repeat sessions Maxell quality will eliminate. That's a lot of work you won't have to do.

Send to: Maxell Corporation of America  
130 W. Commercial Avenue Dept. 3DM  
Moonachie, N.J. 07074

Gentlemen:  
Send me technical information and tell me how I can get Maxell mastering tape.

name/title \_\_\_\_\_

company \_\_\_\_\_

address \_\_\_\_\_

city \_\_\_\_\_ state \_\_\_\_\_ zip \_\_\_\_\_

**maxell.**

The answer to all your tape needs.



# VERSATILE!



## Model 550A Equalizer

- Shelving or peaking curves independently selectable for upper and lower ranges.
- Transformer coupled output to +28 dBm.
- Low noise and distortion.
- Panel mounting 1½" x 5¼".
- Utilizes Automated's 2520 Op Amps.

The Model 550A Equalizer is designed as a channel module with reciprocal equalization at 15 frequency points in 5 steps of boost or attenuation to a maximum of 12 dB. These points are divided into 3 ranges, with the upper and lower ranges individually selectable as either peaking or shelving. A band-pass filter (50 Hz to 15 kHz) is switch selected independent of all equalization settings, and a push-button In or Out switch with LED tally light inserts or removes equalization without clicks or program interruption.

The virtually limitless range of repeatable curve shaping combinations provided by the Model 550A makes it ideally suited for all types of music or voice enhancement and effects equalization.

**AUTOMATED PROCESSES, INC.**  
80 MARCUS DRIVE, MELVILLE, NEW YORK 11746  
516-694-9212

George Alexandrovich

# THE AUDIO ENGINEER'S HANDBOOK

## Selective Monitoring

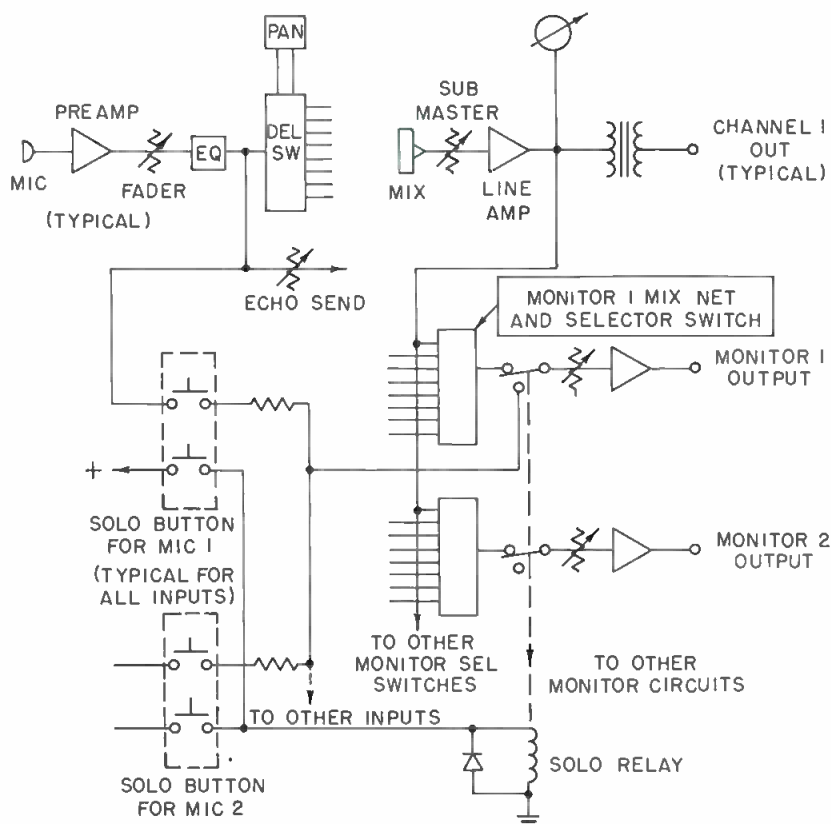
● Today, when more and more radio and t.v. stations are doing their own production, with their systems growing more and more complex in order to keep up with the requirements of modern sound recording, it may be helpful to review the monitoring methods the recording industry has been using to make its job easier.

As the number of microphones increases and the number of separate tracks may be anywhere from four to twenty-four, trying to listen and to evaluate the adjustment of each mic or channel may prove to be an impossible task, even for the most experienced recording engineer, unless he has the means of selecting each mic and listening to it separately.

In the beginning, there was a tendency to monitor all channels separately. But the number of tracks on tape machines jumped from two to three, then to four, eight, sixteen, and

now up to twenty-four. As the number of channels reached eight, recording engineers went back to monitoring only four channels maximum, with possible monitoring of two-channel mix and mono, since most of the finished products end up as a stereo recording or mono. Actually, stereo and mono are the hardest to get right from a multi-channel mixdown because of the phase differences between channels. One of the more reliable indications that a mixdown is good is when mono-mix sounds right. If it doesn't sound right naturally, we want to know why. If we are playing a tape, we try to listen to each channel separately; if we are checking a live production, we listen to each microphone or group of microphones separately and try to determine if placement phasing or levels are the cause of a poor sounding mix. In order to be able to do this we need special circuits built into our consoles, which would enable us to pick any channel we want to listen to by merely

Figure 1. Basic selective monitoring logic.



# TO THE 82 WHO MADE OUR '72 THE GREATEST YEAR EVER, MCI HAS ONLY THIS TO SAY:

*"Thank you, merci, takk and tacka."*

## IN THE UNITED STATES . . .

Thank you, American Music  
Thank you, Art Craft Studios  
Thank you, Dale Ashby and Father  
Thank you, Chet Atkins  
Thank you, Audio Media  
Thank you, Baldwin Recording Studios  
Thank you, Belt Productions  
Thank you, BJ Recording  
Thank you, Caladonia Productions  
Thank you, Capricorn Recording  
Thank you, Carabou Ranch  
Thank you, Cardinal Recording  
Thank you, Castle Recording  
Thank you, Cherokee Recording  
Thank you, Connecticut Recorders  
Thank you, Crusade Productions  
Thank you, Curtom Recording  
Thank you, Custom Audio  
Thank you, Dallasonic  
Thank you, DBM Studios  
Thank you, L.B. Delany  
Thank you, Devenshire Sound  
Thank you, Discos Borinquen  
Thank you, Earth Audio  
Thank you, Fame Recording  
Thank you, Flight Three  
Thank you, Fox Studios  
Thank you, Freddy Productions  
Thank you, Hilltop Studios  
Thank you, Hounds Ear  
Thank you, Terry Jamison

Thank you, Jones Sound  
Thank you, Kajack Records  
Thank you, Lowery Music  
Thank you, Malaco  
Thank you, Massassit  
Thank you, Mega Sound  
Thank you, MGM  
Thank you, Mike Side Sound  
Thank you, Muscle Shoals Sound  
Thank you, Music Recorders  
Thank you, Nemo  
Thank you, Peer Southern  
Thank you, Pete's Place  
Thank you, Sam Phillips Recording  
Thank you, Playground Productions  
Thank you, Rainbow Recording  
Thank you, Record Plant  
Thank you, Royal Recording  
Thank you, Sigma Sound  
Thank you, Arthur Smith Studio  
Thank you, Sonart Productions  
Thank you, Sound Factory  
Thank you, The Sound House  
Thank you, Sounds of Hawaii  
Thank you, Sound Shoppe  
Thank you, Starday King  
Thank you, Sundance Studios  
Thank you, TM Productions  
Thank you, United Recording  
Thank you, Virtue Recording  
Thank you, Warner Bros.  
Thank you, Westminster Sound  
Thank you, Steve Wright Recording  
Thank you, Neal Young

## IN BELGIUM . . .

Merci, N.V. Delta Equipment S.A.

## IN CANADA . . .

Thank you, Listen Audio  
Thank you, Studio Tempo  
Thank you, Thunder Sound

## IN ENGLAND . . .

Thank you, Majestic Recording

## IN FRANCE . . .

Merci, Aquarium Paris Studios  
Merci, Leo Clarens Studio  
Merci, Jacques Denjean Conches Studio  
Merci, Herouville Studio  
Merci, Letouquet  
Merci, 10 Paris Studio  
Merci, Strawberry Studios  
Merci, Disques Vogue Studio

## IN JAMAICA . . .

Thank you, Dynamic Sounds Recording  
Thank you, International Recording Studios

## IN NORWAY . . .

Takk, Roger Arnhoff

## IN SWEDEN . . .

Tacka, Lab Electronics

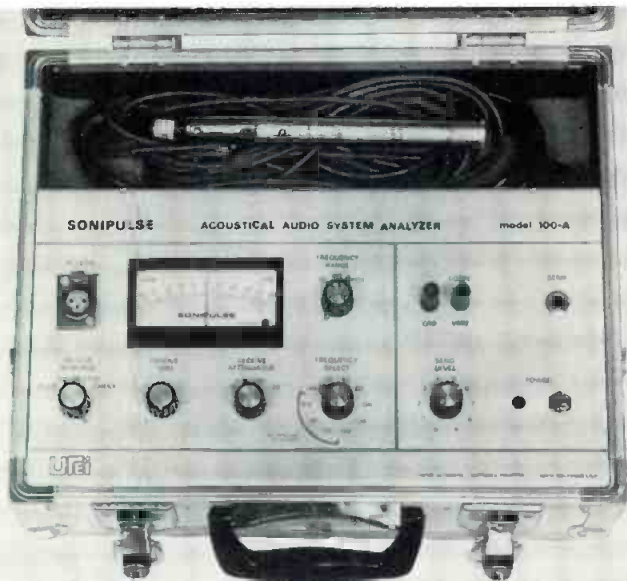


4007 N.E. 6th AVENUE • FT. LAUDERDALE, FLA. 33308 • PH. (305) 566-2853

Circle 24 on Reader Service Card

[www.americanradiohistory.com](http://www.americanradiohistory.com)





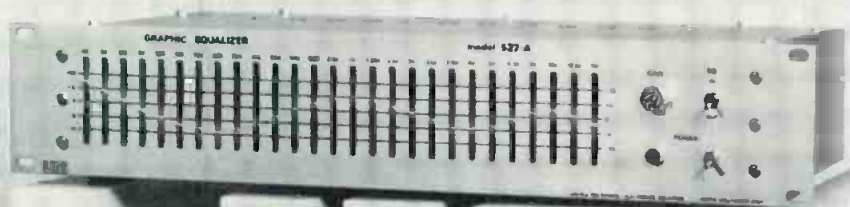
# Sonipulse

## The Coherent Method of Room Equalization

SONIPULSE is the newest approach to measuring sound reinforcement or playback systems including their environments. It provides complete analysis of frequency response over the full audio spectrum in less than three minutes. Self contained generator produces a pulsed coherent signal, — no averaging time required. Ideal for recording studios, auditoriums, theaters, road shows... Small, compact, portable. SONIPULSE equals the accuracy of expensive real-time spectrum analyzers.

Model 527-A ACTIVE GRAPHIC EQUALIZER (no insertion loss) provides 27 precise 1/3 octave reciprocal equalizers covering the entire audio spectrum from 40 Hz to 16 kHz, making the 527-A compatible with all current room equalization measuring equipment. Ideal also for spectrum contouring or correction.

Send for complete technical information today.




 a UTA company

11922 Valerio Street, No. Hollywood, California 91605 (213) 764-1500  
 Exclusive export agent: Gotham Export Corporation, New York

pressing the button next to this channel's controls, enabling us to hear only this channel while all other channels are silenced. Switches are usually made momentary so that the operator can jump from one channel to another and compare levels, equalization, and sound in general quickly as well as having two buttons depressed at once to check for the combined effect of two adjacent mic or related channels.

FIGURE 1 shows a simplified single line drawing of a typical audio chain, a circuit typical of any recording console. The input channel consists of a mic pre-amplifier, gain control, equalizer, and a delegation switch with pan pot. capability. The output circuit or channel is represented by an active mixing amplifier submaster gain control and line amplifier. Monitoring the console outputs is done in a conventional way—that is, the output of each program channel is assigned to one of the monitor inputs. More than one channel can be monitored through the same monitor speaker, representing thereby a sound mix similar to one we are expected to hear in the finished product coming from this speaker. Assigning all program channels to one monitor represents a mono mix. In the recording consoles, it is possible, by a flip of a switch or the press of a button, to switch all monitor circuits to any pre-selected mode of monitoring for instant evaluation. FIGURE 1 does not show such facility, but it shows how selective monitoring is accomplished. In the recording industry, a button for selective monitoring of each channel has been named very appropriately the *solo button* and the bus, a *solo bus*. If you follow the signal path, you will see that the signal is tapped off after the equalizer so that the effect of the equalization can be monitored; also, the level can be checked. As the solo button is pressed, one set of contacts completes the circuit, sending the signal to the very input of the monitor gain control while the other set of contacts provides the closure which operates the relay. This relay disconnects all monitor feeds to all monitor amplifiers so that if the button you have pressed was one in the unused channel or one connected with a dead microphone, you would hear nothing but silence in the control room.

The use of a relay for silencing monitor circuits is required in multi-channel circuits because there is no other convenient way of accomplishing this (by this I mean any mechanical or electrical device or a circuit which can perform a relay function.) In this category are reed switches, p.d.r.'s, f.e.t.'s, transistors, diodes, etc.



# Phase Linear 700

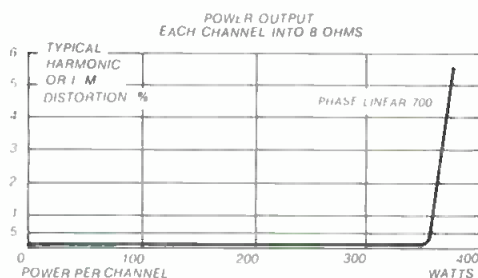
## The world's most advanced stereo power amplifier.

Never before has such a power and purity been available in a home stereo amplifier. Never before has it been possible to recreate such realistic music levels in your own home with virtually no distortion. The Phase Linear 700 opens new horizons of listening pleasure for the audiophile, and presents him with a unique opportunity to dramatically improve his sound system at a price he can afford to pay. Julian Hirsch, after a thorough examination of the benefits of high power, wrote: "... some of our preconceived ideas were exploded by our exposure to super amplifiers . . . anyone using a low-efficiency speaker system with a 60 to 100 watt (total power) amplifier cannot approach a realistic listening level . . . the tendency is to operate at a lower (undistorted) level and to delude ourselves into accepting it as "realistic", which it is not!" The Phase Linear 700 is the most advanced solid-state amplifier available today, a *must* for any state-of-the-art sound system!

### A New Technology

Until very recently, the Phase Linear 700 could not have been developed. Then came major advances in high voltage silicon power transistor technology and the invention of an energy limiter protection circuit designed by Robert Carver. These advances made possible the design of the Phase Linear 700, a sophisticated audio amplifier capable of delivering:

- Frequency response from DC to beyond 250,000 cycles per second
- Distortion so low it can't be accurately measured
- Damping over 1,000 at 20 cycles per second
- Continuous power levels of *more than 350 watts* per channel into 8 ohms both channels driven
- Reliability exceeding any high powered amplifier developed to date.



### Why 700 Watts?

Do you really need a 700 watt amplifier in your stereo system? Isn't 40 or 50 watts enough to drive any speaker system to maximum performance? If you have a high quality air suspension speaker system, more power than you might believe is necessary for you to derive maximum listening pleasure from your stereo set. The reason: Today's low efficiency speakers, par-

ticularly those with octave equalization for wide frequency response, require much, much more power to reproduce the sound pressure peaks that occur in live musical performances. So, the larger the amplifier, other things being equal, the more faithful the sound. With a Phase Linear 700 you take a quantum jump closer to true high fidelity.

### Eliminates Clipping

What happens when you play, for example, Stravinsky's *Rite of Spring* at realistic volume levels on your present equipment? Unless your amplifier is delivering 350 watts per channel to your speakers, you may hear severe distortion caused by "clipping" or "flattopping". Chances are you will turn the volume down until this overload or "speaker breakup" is eliminated. At this point you are settling for something less than high fidelity. When 700 watts is available, instruments can be reproduced at their original levels without discomfort. The advantage of 700 watts to the listener is not in loudness, but in the elimination of the distortion caused by clipping when selections are played at the life-like levels the true audiophile should demand and expect from his equipment.

### is the Phase Linear 700 for You?

If you are a true music lover and own — or are thinking of buying — high quality, low efficiency speakers, the Phase Linear 700 is most definitely for you. The Phase Linear 700 will add a dimension to your listening pleasure you didn't dream existed. You don't have to take our word for it: Ask the speaker manufacturers who use the Phase Linear 700 as a lab standard to test their quality products; ask the reviewers for most audio magazines who use the Phase Linear 700 to test other hi fi equipment; finally, read what the reviewers themselves have to say:

*"The world's best amplifier!"*

W.R. Hickman, Seattle Post - Intelligencer

*"... in a class by itself"*

Julian Hirsch, Stereo Review

*"... a product for the all-out audiophile interested only in superlatives! ... in terms of sheer power it is the most impressive we have tested"*

High Fidelity

*"Based on its sound quality only the 700 is in our opinion an excellent buy, and probably also a must with the majority of acoustic suspension loudspeakers and the new "hybrid" electrostatics."*

Editor, Hi Fi Newsletter

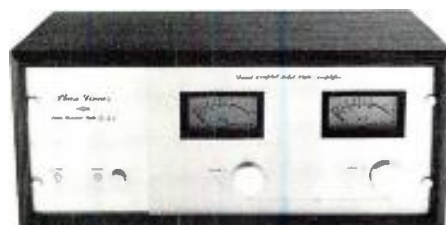
*"... distortion ... was as low as we can go with the present equipment!"*

*"Breakup, as when an opera singer hits her high C, need never happen again, for now there is the Phase Linear amplifier."*

C. G. McProud, Audio

*"WE WONDER IF 700 WATTS IS ENOUGH"*

Julian Hirsch, Stereo Review



### Specifications

**POWER** - Greater than 350 watts/channel R.M.S., both channels driven into eight ohms, zero to 20 kHz.

**POWER AT CLIPPING** - Typically 450 watts/channel R.M.S., into 8 ohms, 730 watts/channel R.M.S. into 4 ohms, 270 watts/channel R.M.S. into 16 ohms.

**FREQUENCY RESPONSE** - 0.25 mHz @ 1 volt, direct coupled inputs. 10 - .25 mHz @ 1 volt, normal inputs.

**HARMONIC OR I.M. DISTORTION** - Less than .25%. Distortion is typically less than .01%.

**DAMPING RATIO** - Greater than 1,000: 1 @ 20 Hz

**PROTECTION** - Electronic energy limiters, together with supply fuses prevent excursions into the unsafe operating region, regardless of load condition.

**RISE TIME** - Less than 1.6 micro seconds.

**PHASE SHIFT** - Leading 0 degrees @ 20 Hz. Lagging 10 degrees @ 20kHz.

**SENSITIVITY** - 1.14 volts for 350 watts into eight ohms.

**HUM AND NOISE** - Better than 100 db. below 350 watts.

**INPUT IMPEDANCE** - 100 k ohms, normal input, regardless of input level control position. 10 K ohms, direct coupled input, input level controls bypassed.

**DIMENSIONS** - 19 inches wide, 7½ inches high, 10 inches deep. Weight: 45 lbs.

**FINISH** - Light brushed gold, baked enamel, and black anodize.

**WARRANTY** - Three years, parts and labor for normal use. Phase Linear has warranty stations throughout the United States and overseas.

For a sampling of the best in sound reproduction, audition the Phase Linear 700. To find out if your present or future speaker system needs the 700, ask your dealer, write Phase Linear, or contact your speaker manufacturer.

*Phase Linear*

THE POWERFUL DIFFERENCE

P.O. Box 549 Edmonds, Washington 98020

Circle 48 on Reader Service Card

www.americanradiohistory.com

When you are dealing with a single monitor circuit, there is a much simpler way to accomplish selective monitoring without relays, using double-pole pushbutton switches, as shown in FIGURE 2. There is only one requirement—the input to the monitor amplifier should be medium to high impedance (contrary to the active mixing amplifiers with a mixing input impedance of almost zero ohms) and the output impedance of the equalizer or other part of the circuit selected to feed solo monitoring be of very low impedance (typical to all modern class AB transistor amplifiers and op amps). Then what happens as the solo button

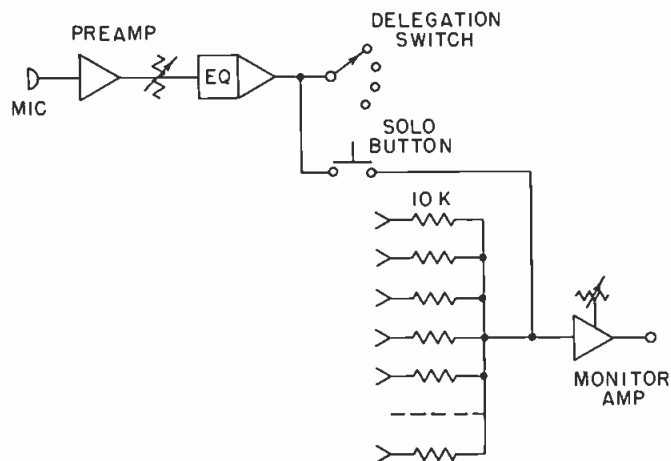


Figure 2. A simple solo monitoring circuit.

## At Ampex the same care goes into One Duplicate of One Recording that goes into 10,000 Duplicates of 10,000 Recordings

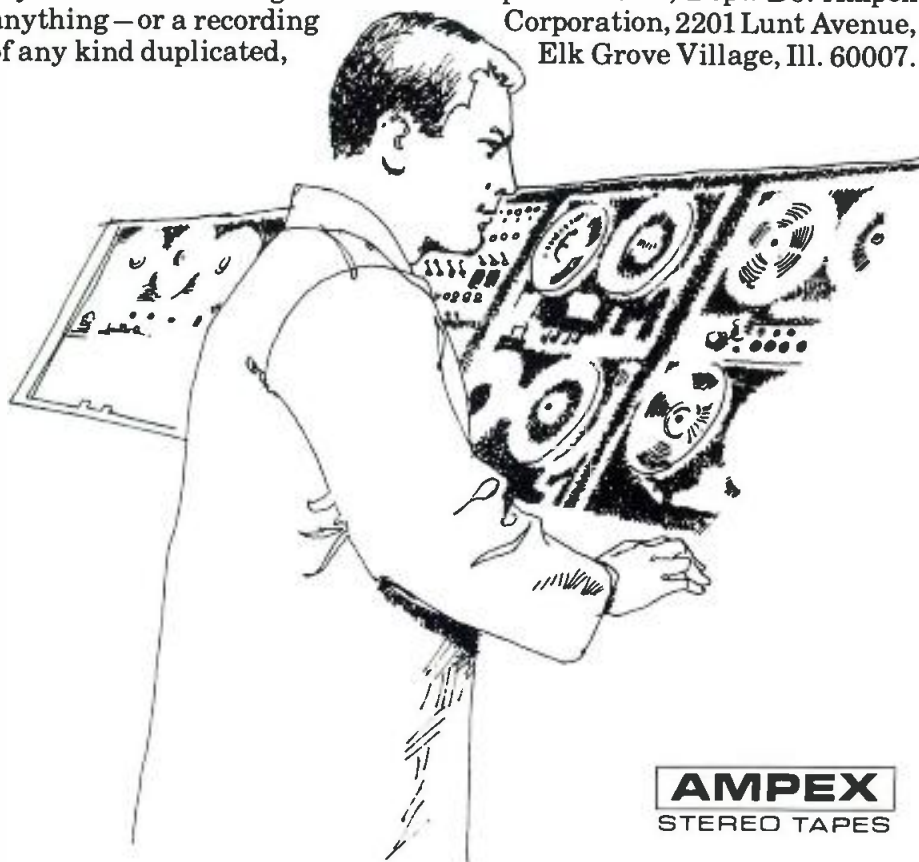
The same people do it and welcome it.

We hope no one feels that their duplicating job is too small or too large for us—we assure you it isn't. We also assure you that our size makes our duplicating prices more than competitive, our fidelity unsurpassed and our services almost endless.

If you want something recorded—anything—or a recording of any kind duplicated,

all you have to know is "Ampex." That's it, just "Ampex." We do the rest—recording, mastering, mixing, duplicating, mailing—or whatever part of these services you need.

For more information telling how easily and economically you can use Ampex's custom duplicating service, write: Ampex Stereo Tapes Division, Dept. D6, Ampex Corporation, 2201 Lunt Avenue, Elk Grove Village, Ill. 60007.



**AMPEX**  
STEREO TAPES

Circle 39 on Reader Service Card

www.americanradiohistory.com

is depressed is that the output of the amplifier with almost zero impedance is connected across the mixing bus with the impedance at the common point, let us say, 1 k ohm (if mixing resistors are 10 k ohms each and there are ten sources mixed. As the voltage from the equalizer amplifier is impressed across the input to the monitor amplifier, all signals coming from ten other sources are attenuated. The amount of attenuation will depend on the change of the impedance of the mixing point. If before connecting, the solo feed impedance was 1,000 ohms and after the solo circuit was connected the impedance became 10 ohms, the impedance has changed by a factor of 100, or 40 dB. This means that all signals will be attenuated to 40 dB, except for the one selected for solo monitoring.

Usually you cannot get something for nothing. There is something you have to trade in for achieving simplification of the circuit—the fact that you cannot press two solo buttons at once. If two amplifiers with very low output impedances are paralleled, each is going to be loading down the other so that no output from either one will be appearing at the monitor output. However, this drawback will last only as long as it will take for someone clever to think of a solution.

What I have just discussed with you here were only simple solo monitoring circuits. Quite often, it may be desirable to encompass all special effects applied to the signal in monitoring it. It may mean that we should include reverberation, echo, compression, limiting panning, and other effects for solo listening. Then the switching logic may become quite complicated.

In all fairness to the inventors of the solo facilities, I would like to remind them that the idea of solo monitoring has its roots in the broadcasting field, where there are cue, pre-hear or audition circuits with functions analogous to solo circuits. Then comes the favorite question—what came first, the chicken or the egg? ■



If you're seriously into music or sound reinforcement you want more than hi-fi products can give you. But full professional studio gear costs an arm and a leg, and you pay for a lot of things you may not really need.

## You pay for what you need

up to four additional input modules and other optional accessories including talkback, remote transport control, quad paner, and headphone monitor.

That's why there's a TASCAM Model 10. It's an 8-in, 4-out mixing console, and it's just \$1890.

With the Model 10 you get what you have to have. Without sacrificing a single necessary function.

Each input module gives you mic and line attenuation, three bands of peak and dip equalization (two with frequency selection), pre- and post-echo send and receive circuitry, pan function, and a unique straight-line fader.

Each of the four submasters has a meter control switch (line/echo), independent monitor level control, echo receive level control, and a straight-line fader. You also get a master gain module and 4" VU meters with LED peak indicators. Plus pre-wired facilities for

That's what you need and that's what you pay for. Some things, however, you may or may not need, and we leave that choice up to you. For instance, the basic Model 10 is high impedance in and out, but studio line impedances are available optionally. You'll probably want low impedance mic inputs, but you may not need all low impedance line inputs. So we don't make you pay for them. You can order any combination of high and low input/output impedances according to your application.

Details and specs on the Model 10 are available for the asking. At the same time we'll tell you about our new Series 70 Recorder/reproducers.

We've got what you need.



Circle 37 on Reader Service Card



UP TO

# 65% SAVINGS

Plus performance that is creating excitement in Engineers around the country! "Fantastic sound" ... "Very Clean" ... "Superb! ... Send two more ..."

Proof? Our standard 10 day evaluation period lets you see and hear the performance and the full service. 2 year warranty demonstrates the reliability.

Place your order today. Then prepare yourself for a very satisfying experience!



**TURNTABLE PREAMPLIFIERS**

MP-8 (Mono) \$60  
SP-8 (Stereo) \$90

Outstanding sensitivity and near perfect reproduction. RIAA/NAB equalized — 0.5 mv sensitivity @ 1 KHz for +4 dbm out — Balanced 600 ohm out — minus 65 db S/N ratio — +20 dbm out max — ±1 db freq. response — Internal power supply — Table top/bracket mount. Shipping weight, 3½ lbs.



**MIC/LINE AMPS**

MLA-1 (Mono) \$68  
MLA-2 (Dual) \$96

Dual function utility amp. Inputs for mic and/or line — 600 ohm balanced outputs — mic input, —65 db for +4 dbm out — +20 dbm out max. — ±0.5 db response, 10 Hz-20 KHz — 0.1% or less dist. — Internal power supply — Tabletop/bracket mount. MLA-2, Stereo/Dual Mono. MLA-1, Mono. Shipping weight, 4 lbs.



**DISTRIBUTION AMP  
6 BALANCED OUT**

DA-6 \$95

One third the cost of comparable units. Six 600 ohm balanced outputs — Balanced bridging input — 26 db gain — +20 dbm out max. — Input level control — 0.1% or less dist. — ±0.5 db response, 10 Hz-20 KHz — Internal power supply — Tabletop/bracket mount — Shipping weight, 4 lbs.



**TAPE CARTRIDGE LOADER (AUTOMATIC)**

ACL-25 \$159

Precision winding without guesswork. Dial in the minute and/or seconds desired, throw switch to run. That's it! The exact amount of tape is fed onto the cartridge hub to the second, and shuts off automatically. No waiting around, no guesswork and 1 sec. accuracy. Also has exclusive torsion control for proper tape pack and winding of various cart hub sizes. TTL digital control circuitry. Shipping weight, 30 lbs.



**RAMKO RESEARCH**

2552 "E" Albatross / P.O. Box 6031  
Sacramento, Calif. 95860 (916) 489-6665

Norman H. Crowhurst

## THEORY AND PRACTICE

● During the last month, letters from readers have surprised me, in how many of their writers have one or another kind of linkage with education. Maybe it shouldn't have, because when you think about it, we probably learn more from what we hear than by any other single form of communication, and this magazine is read by people who specialize in processing sound in one way or another.

One reader wrote to comment that the HEW Commission on Instructional Technology report, issued some time ago, recommended a new educator role, that of "Instructional Designer." The reader asked if I had any information about how a person could apply to become a Certified Instructional Designer. "Here we go again," I thought.

Let me ask first whether the role recommended by the HEW Commission's report is really the ideal "new" role for teachers or others connected with education, in whatever way. To address this question, I recently put together a proposal for our State Board of Education, along with a report, "What's Wrong with Education — Some Thoughts on How to Change It." The two together run 15 pages, close typed. (If anyone would like a copy, \$1 would cover xeroxing and postage).

I mention that report and proposal, because they were well received by many, at various levels within education (and without). In it, I defined, for the sake of clarifying the issue for people who seem able to think only in compartments, three alternative roles that teacher and school could possibly fulfill.

Role 1 is the traditional one, which sees teacher as a compendium of all "knowledge," the purpose being to transfer all that knowledge to the minds of the students. This role has become an increasing failure over recent decades.

Role 2 is the one proposed by the HEW Commission's report. The no-

tion behind that title "Instructional Designer" is that teachers should design experiences that enable students to "learn."

Apart from criticisms that certain conservative groups would level at this, about it probably being more of the "behavior modification" type psychology, which criticism does not get me uptight, evidence I collected while working on government-funded projects promises that all such a role change could achieve would be a modification of the *method* by which the same irrelevant "information" is programmed into kids' heads.

Even if the role change were successful by its own definition, it would *not* achieve objectives that my report demonstrates to be vital to education useful for the future. Among other details, the report cites many examples to show that when teachers encounter a "learning problem," they treat merely the symptoms, not the cause of the problem.

All they expect of the student is that he be able to *do* virtually meaningless things. He is discouraged from trying to *understand* anything. When he has a difficulty, they seek to help him do what they want of him. Whether he understands what it's all about is irrelevant! So long as he can score more than the required percentage of correct responses in a test, he can forget the whole thing immediately afterward, and usually does.

My first comment about this set of procedures is that they waste effort, because they teach students very little of lasting value, at extremely high cost for the effort. Further, their overall effect is to blunt the mental capacity of our people, giving them a needlessly negative self-image. They come to believe that they cannot do anything, unless they have been shown how in every little detail.

But that is not the biggest tragedy of the whole thing. In years gone by, maybe that was acceptable, for all the menial types who merely did a job for

# Big Board at The Burbank Studios

When the Burbank Studios decided to create the finest sound scoring facility in the world they came to Quad/Eight Electronics for their recording console.

Experienced in the manufacture of both film scoring and dubbing consoles, Quad/Eight can design and engineer any system — large or small. Write or call for full information.

We know film sound.

Dan Wallin  
Scoring Mixer at  
The Burbank Studios

**quad/eight  
electronics**

11929 Vose Street, North Hollywood, California 91605  
Telephone: 213/764-1516





which they had to be trained. However today, when computers can absorb facts and directions infinitely faster than people can, and have virtually instant recall with zero loss of memory, why must our educational system continue programming *people* to do things that computers can do so much better and faster?

Nobody showed Mr. Bell how to make a telephone, or Mr. Edison how to make a light bulb! They were using man's native inventive genius. The reason more individuals have not invented things in the past was usually because so many people were absorbed with "earning a living," by doing all the menial chores. Now that is no longer necessary, because machines can do all that. So why could not every human being develop these same inventive capabilities and enjoy the thrills of personal discovery?

The only obstacle I know of is that all inquiry is programmed out of most of our people, during those years going through school. Preschoolers are full of "whys," of the desire to explore, to try new things, to find out something they have not found before. My report analyzes in some detail why this repression occurs and suggests some alternatives to eliminate it.

The third role identified is quite different. It does not pretend that

teacher knows it all, because in a changing world, the student must learn many things the teacher never knew. It does not dictate *how* individual students will learn, nor *what* they will learn. It does not profess to design experiences that, like bad medicine, will be "good for" the student!

For this role, the teacher needs to know how different kinds of learning occur in different kinds of students. The teacher is ready, as a resource, to help students learn what they want to learn, because they want to learn. The teacher is expert at motivating students to find out how to cope with life, how to become useful, self-learning, contributive citizens.

The proposal suggests practical ways by which such a role change can be facilitated. As most of you are audio people, I will not expand on that aspect here. However, because you are sound people, you can be an important link in this mechanism for change, because sound can often be an essential part of the learning process.

If you prefer to be a "good little boy," and just do what you are bid, as well as you know how, that's fine. That is what good little boys of a bygone era were noted for!

But if your purpose is to improve education, or to convey information perhaps, as effectively as you know how, that is something else. You can-

not do that unless you first discover how you yourself can learn best, whether most other people learn best the same way or some other way, and what such differences and similarities are.

For example, the old saw about "expression deepens impression" may have some value, but it applies essentially to the assimilation of pre-digested "facts," the kind of "information" implicit in roles 1 and 2. It does nothing for the kind of self-learning that enables the individual to move ahead on his own — to become truly inventive. No amount of expression deepening impression would have enabled Mr. Bell or Mr. Edison to have made their respective discoveries!

Let us turn things about a little. Earlier, I briefly mentioned the assertive criticisms of conservatives. Similar comments could apply to most groups with assertive "convictions." When you examine literature put out by any group, watch for unfounded assertions.

For example, an article may cite plenty of facts about a government agency that could easily be verified. Then, after showing such an agency's use of coercion against people, the article, being of conservative slant, will point to similar coercion that was or is used in Communist states, such as Russia. Therefore, one is induced to believe, the commies are directing things in our own government.

A simple, intelligent desire to know and understand would ask, "How do we know that?" Does any political ideology have the monopoly on coercion? All *that* takes is a power lust, possibly with an ideology for "cover." To tab the whole thing as anybody's conspiracy is an assertion, *unless you have evidence of such directives or collusion.*

By what means do you learn how a machine operates? You either read the manual that came with it, or else you try things with it, to see what happens, using caution not to initiate too much at once, so the whole thing could get out of hand.


In this column we have pointed to linking theory and practice as a strategy for learning, and it's a good one. Logic is an essential element in good learning too, whether it relates to figuring out why a machine does what it does, or questioning an explanation given for phenomena or human behavior as the only possible one.

The depressing thing about so many modern mediated educational presentations, is that they seek to indoctrinate, rather than to stimulate thought and mental growth. Whether it is a math course (except the one we described in the December issue) or a

**AKG**  
A NEW STANDARD  
IN PERFORMANCE

D-190E  
Cardioid dynamic microphone.

For information on the entire  
AKG product line call or write

 **MICROPHONES • HEADPHONES**  
DISTRIBUTED BY  
NORTH AMERICAN PHILIPS CORPORATION  
100 EAST 42ND STREET, NEW YORK, NEW YORK 10017  
AKG CANADA • DIVISION OF DOUBLE DIAMOND ELECTRONICS • SCARBOROUGH, ONTARIO



# Our amazing low-cost speaker is made with a revolutionary substitute for money: brains.

**Two facts stand out about the Rectilinear X1a bookshelf speaker:**

**Its price is \$79.50\***

**And its sound is beautiful.**

In fact, it sounds quite respectable even in comparison with our top speakers, which cost up to three and a half times as much and have been called the best in the world. We wouldn't be ashamed to match the **Rectilinear X1a** against heavily advertised competitors at twice the price.

The secret of our design? Merely some vigorous thought processes.

We could never see why inexpensive speakers had to sound mediocre, just because nobody bothered to make them any other way. Our engineering logic led us to the startling conclusion that a correct crossover frequency costs no more than an incorrect one. The right distance between the drivers no more than the wrong one. Proper cone material and magnetic structure no more than the wrong ones. And so on, down the line.

When you get right down to it, we reasoned, at least seventy-

five percent of speaker design is knowledge, not money.

So we specified a 10-inch woofer that will handle 50 watts RMS at 1000 HZ, a 3½ inch tweeter and a network that crosses over at 1000 HZ, a lower crossover point than some "highly regarded" three way systems. We put these into a 23" by 12" by 10 ½" cabinet and fussed and fussed. Without any preconceived notions as to how good or bad such an austere design should sound. We stopped only when we could no longer improve the performance.

The result was a \$79.50\* speaker that not only covers the range from 45 to 20,000 HZ

without peaks or harmonics but also has extremely low *time delay distortion*, which is **Rectilinear's** chief criterion of speaker quality.

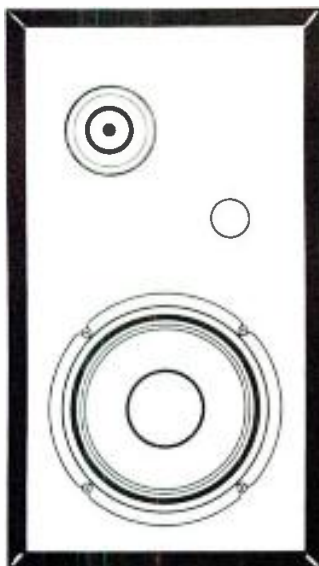
What's more, the **Rectilinear X1a** is a high-efficiency speaker. Unlike some other designs that claim accurate reproduction at a moderate price, it doesn't defeat its purpose by requiring an expensive, high-powered amplifier or receiver for good results. It can be driven to window-rattling levels with a puny 10 watts.

A triumph of brain over brawn, you might say.

(For more information, including detailed literature, see your audio dealer or write to Rectilinear Corp., 107 Bruckner Blvd., Bronx, N.Y. 10454. Canada: H. Roy Gray Co. Ltd., Markham, Ont. Overseas: Royal Sound Co., 409 N. Main St., Freeport, N.Y. 11520.)

\*Optional fretwork grille \$10.00 each.

**Rectilinear® X1a**  
*Engineering Excellence*



Circle 23 on Reader Service Card

**dbx has a VCA  
with superior  
gain range  
noise  
distortion  
head room  
tracking**

The dbx 202 voltage controlled amplifier provides a linear voltage per decibel gain range from -100 dB to +30 dB with excellent linearity and unit to unit tracking. Input noise is 6  $\mu$ V yet peak input may be as high as 100 volts. Unit demonstrates excellent frequency response and low distortion. Size is 1 x 2 x 1/2 inch. It's available now for \$47.00. Model 203 with relaxed specifications is also available for \$39.00.

**dbx, Incorporated 296 Newton Street  
Waltham, Massachusetts 02154 USA**



**send for one**

**dbx** inc.

Circle 33 on Reader Service Card

**THE  
PRO  
RADIAL**



The RH60 is a large-mouthed 250 Hz 60° fiberglas radial horn. It's pattern control in the vertical as well as the horizontal plane is excellent from 400Hz up, which provides mid-range projection far superior to that of most radials. Heavy-walled fiberglas construction make the RH60 non-resonant at any power level and virtually indestructible in portable service. Two models are available, the one pictured for 2" throat drivers, and the RH60-34 for 1-3/8" x 18 threaded drivers.

We're not really doing anything new — we're just doing it right!

**Community Light & Sound**

P.O. Box 21759, Philadelphia, Pa. 19146 • 215-468-2001

Dealer inquiries invited

RH60: 19"H x 23" W x 21"D (RH60 28"D), 11lbs., 250Hz flare rate, Dispersion at 1KHz-30° x 60°, List price \$125.00

Circle 31 on Reader Service Card

slide-tape lecture about some political subject, the use of audio and visual is usually combined to *persuade* the viewer to accept some predetermined objective, rather than to stimulate his own faculties to individual, creative thought.

For example, a conservative presentation to which I was invited showed how many cabinet posts in the American government are consistently occupied by members of the Council of Foreign Relations. Because many identified communists were also identified as being members of the same Council, the conclusion quite persuasively developed was that our American government is communist dominated.

Now, varying the same line of "logic" a little, I could equally well argue that the communists are dominated by the American government! Applied more usefully to the problems we address in education, in examining such an assertion we should inquire into the nature of the association: is it in fact one of domination at all? Implicit in that conservative presentation was the notion that any group of people, especially an elite group, such as the Council on Foreign Relations, must have as their objective some form of domination. Thus the only question, apparently, is who dominates whom?

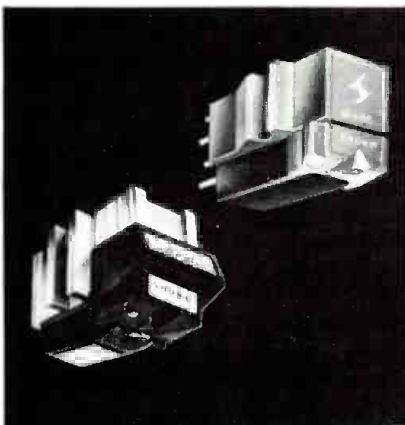
But is domination omnipresent? For years I have been a Rotarian. In any community Rotarians are a sort of elite group. But do they, for that reason, seek to dominate the community? As far as I have observed, they seek only to dominate their knives and forks, while they discuss ways to improve the community's livability. They do not impose such assistance on unwilling "victims." They realize the world is full of needless problems and seek to help in solving some of them. Is that domination?

To apply all this to useful ends, when you are working on an A-V presentation, ask yourself and the people for whom you are making it, what they hope to achieve by it. If their purpose is to get some concepts across, or to help others learn something, do they seek to impose ideas, irresistibly or authoritarily, on the recipients of the program, or do they encourage free, expansive thought on the part of the individual viewer?

The latter choice is what the future needs infinitely more of, as our machine type slaves take over more and more of the menial type chores for which humans at one time had to be trained. As people concerned with the sound link, you are in a unique position to *influence* this in your work, rather than perpetuating the stereotype of a "good little boy." ■



it 's on record...



Now it's official! An association equipment survey quoted in BM/E magazine produced some very revealing information on FM broadcast industry preferences — particularly in the category of phono cartridge usage, where a whopping 57% of the respondents expressed their preference for Shure cartridges . . . *more than all other brands combined*. It didn't particularly surprise us because we know our M44 series with its uncommon combination of clear sound, low cost, exceptional ruggedness and excellent back-cuing characteristics, has been the broadcast standard for years. And our peerless V-15 Type II Improved? There simply isn't a better cartridge for "high fidelity" FM operations. Write for the free Shure "Guide to the Conversion of Monophonic Broadcast Facilities for Stereo Records," as well as the complete Shure Phono Cartridge Catalog.

Shure Brothers Inc.  
222 Hartrey Ave., Evanston, Ill. 60204



Circle 35 on Reader Service Card



# Today's TAPE DUPLICATOR built for tomorrow's needs

The new Telex 300 system tape duplicator lets you build your own system with individual components to meet your exact duplicating needs. All components are totally compatible, and with complete "add-on" capabilities, the Telex 300 is all you'll ever need in a tape duplicator.

**FLEXIBLE**—Duplicates reel to reel, cassette to cassette, reel to cassette and cassette to reel. Buy only those components you need now—add others as your needs change. All modules fit into standard table top consoles. Telex 300 duplicates any track configuration or combination. And has full track select capabilities on all 2 channel cassette slave modules.

**FAST**—It's twice as fast as our model 235 on reel to cassette. Meets professional, high volume needs with 8:1 duplicating capabilities on cassettes. And it handles up to 10 slaves at once with no additional electronics.

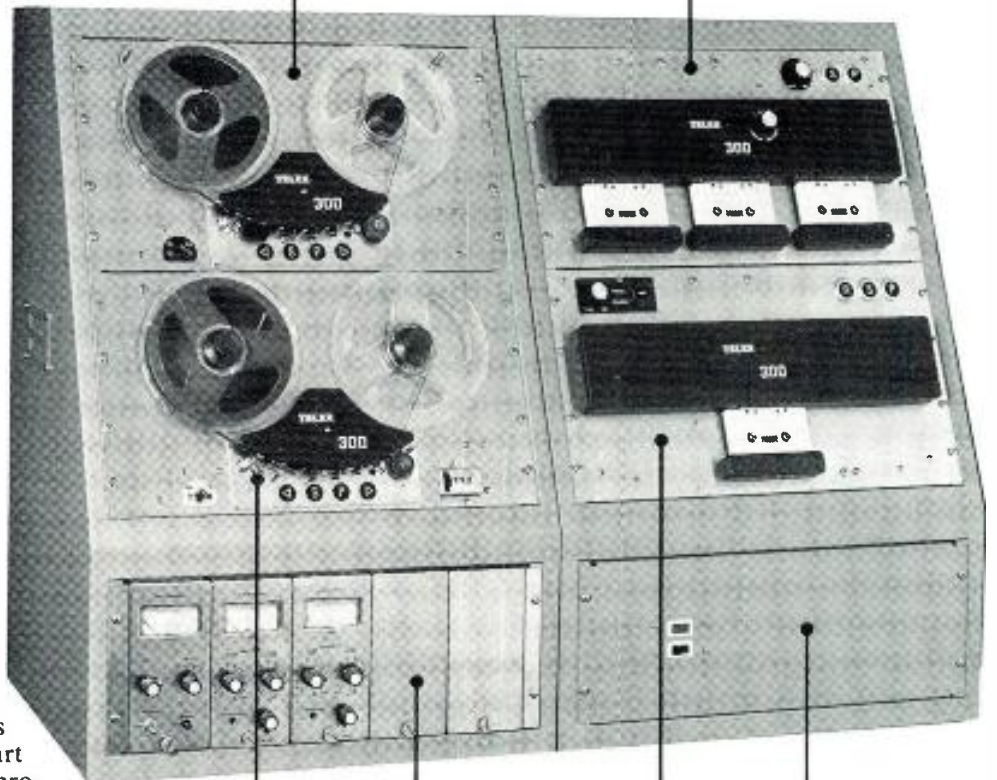
**EASY TO OPERATE**—Even for the inexperienced operator, Telex 300 operates easily and correctly. Fail-safe controls prevent master erasure. New electronics package offers refined electronic settings. And momentary push button controls and time delay circuits provide smooth, positive tape handling.

**ENGINEERED TO PROFESSIONAL STANDARDS**—The Telex 300 is reliable. Built for professional use and designed to last for years with minimal service. Hysteresis synchronous motors maintain true tape speed from start to finish. Select-grade duplicator heads provide long life with excellent frequency response. And the Telex 300 has Commercial Underwriters Laboratories listing.

Competively priced, the Telex 300 lets you build the system you need today. And add to this system for tomorrow's requirements. Made in the U.S.A.

Open reel slave. 7.5—15 IPS. Full track. Half track 1 or 2 channel. Quarter track 2 or 4 channel.

Cassette slave. 7.5—15 IPS. Half track 2 channel. Quarter track 2 or 4 channel.



Solid state electronics. Bias oscillator module and two or four channel amplifiers.

Standard, table top console.

Open reel master. 15—30 IPS. Full track. Half track 1 or 2 channel. Quarter track 2 or 4 channel.

Cassette master. 7.5—15 IPS. Half track 2 channel. Quarter track 2 or 4 channel.

TELEX COMMUNICATIONS DIVISION  
9600 ALDRICH AVE. SO. • MINNEAPOLIS, MINN. 55420  
DBS  
PLEASE SEND INFORMATION ON DUPLICATOR.

NAME \_\_\_\_\_  
TITLE \_\_\_\_\_  
INSTITUTION \_\_\_\_\_  
ADDRESS \_\_\_\_\_  
CITY \_\_\_\_\_ STATE \_\_\_\_\_ ZIP \_\_\_\_\_

PRODUCTS OF SOUND RESEARCH

# TELEX®

COMMUNICATIONS DIVISION  
9600 ALDRICH AVE. SO. • MINNEAPOLIS, MINN. 55420

CANADA: DOUBLE DIAMOND ELECTRONICS, LTD., Scarborough 4, Ontario  
EUROPE: ROYAL SOUND COMPANY, INC., 409 North Main Street, Freeport, N.Y. 11520 U.S.A.  
INTERNATIONAL TELEX EXPORT DEPT., 9600 Aldrich Ave. So., Minneapolis, Minn. 55420 U.S.A.

Circle 26 on Reader Service Card

# THE SYNC TRACK

## Getting Down To Basics

● After all these years of feeling guilty about neglecting the “how do I get started?” inquiries, it seems I no longer have much of an excuse for ducking these letters.

Since the last column, I have left my regular job to go into the freelance recording business. Being the type that would rather play with consoles and tape machines than work for a living, I’ll now have the chance to record at several studios in and around the New York City area—and also have a little more spare time between sessions for other projects.

For instance, after my continually dumping questions about education on the doorstep of the Institute of Audio Research, they have just retaliated by appointing me their special projects director. Which means I’ll be working on the preparation of seminars and workshops geared towards those with a special interest in the recording industry. I’ll also be doing a little more teaching there, and, I suspect, trying to find *the* answer to that old question, “How do I get started in recording?”

So, may I suggest that all future questions on the subject of getting started in recording be directed to me at the:

Institute of Audio Research  
64 University Place  
New York, N. Y. 10003

The Institute has the competence, and the interest, to try to answer these questions as best they can.

However, neither the Institute nor I can tell you where to get a job. We can advise you on how to prepare for employment, but the rest is really up to you, and the job market.

Since this column will in the future be spending more time on the basics, your letters should be of help in determining what needs to be covered here. Though much of the readership is interested in advanced theories and complex design work, there seem to be a significant number who are either just getting started or still trying to get a foot in the door. Between the Sync Track and the Institute of Audio Research, I hope we shall be able to be of better service to both groups.

Speaking of beginners, Walter Sear—the electronic music expert—has just written an interesting little book, *The New World of Electronic Music* 130pp. \$4.95. In ten chapters, he painlessly covers the physics and perception of sound, sound recording itself, and the workings of the electronic music synthesizer.

Voltage control theory, envelope generators, ring modulators, and such are explained in such a manner that you don’t need an advanced degree in physics to get through the book. In the final chapter, Sear briefly describes the more popular synthesizers; Moog, Buchla, Arp, et al. If the book is not available locally, it may be purchased directly from: Sear Sound, Inc., 235 West 46th Street, New York, N. Y. 10036.

For the more advanced, the National Council of Recording Engineers is now in the final stages of organization. Membership details and such are being worked out and I hope to have more specific information shortly. In the meantime, all those who have previously written for information will be notified as soon as details are available. If you would like your name added to the list, let me know.

It’s difficult—if not impossible—to discuss any aspect of recording without mentioning the decibel. For whatever it’s worth, a decibel (abbr. dB) is 1/10 of a bel, and the bel was named in honor of Alexander Graham Bell. In recent years, the dB has gained some notoriety on the masthead of a certain magazine. (No, I don’t mean *DownBeat*.)

Well, just what the hell is a dB anyway? Everybody talks about them, but nobody really explains them. Why, it’s 1/10 of a bel, and a bel is defined in my dictionary as a unit representing the ratio of the values of two amounts of power on a logarithmic scale to the base 10.

Now isn’t that wonderful? If you now know what a dB is, you’re wasting your time reading this. Skip to George Alexandrovich’s column.

It seems we shall have to define logarithm before we can get to the decibel. Since that takes a little doing, we can for the moment define the decibel as a ratio of output to input power or voltage. For, if an amplifier raises a small input to a larger output, we may say the amplifier has a gain of so many dB. The actual value in dB is found from the logarithm of the output to input ratio. But not before we understand what a logarithm (abbr. log) is all about.

Our numbering system uses decimal notation (see March 1971 SYNC TRACK). Even the non-math majors will find it easy to multiply (or divide) by 10.  $10 \times 10 = 100$ ;  $10 \times 10 \times 10 = 1,000$ , and so on. Now this is all very nice as long as you don’t get carried away. Expressing billions as  $10 \times 10 \dots$  etc. can take up a lot of room and also be difficult to read accurately. So, we have developed a shorthand notation to make things a bit easier. Since  $100 = 10 \times 10$ , we can write  $10 \times 10$  as  $10^2$ , and call it “ten squared” or “ten, raised to the 2nd power.” Accordingly, 1,000 would be  $10^3$ , and so on. Since mathematicians (and recording engineers) are basically lazy, we can conserve a lot of energy by simply saying “10 to the 3rd,” “10 to the 4th,” etc.

The small number above and to the right of the 10 is called the exponent, and it tells us how many times we multiply 10 to arrive at the number being defined.  $10^5$  means 10 multiplied or raised to the 5th power. That is,  $10 \times 10 \times 10 \times 10 \times 10 = 100,000$ . [not  $5 \times 10$ , which would equal 50].

Now then, these exponents are also known as “logs” of the product of all the tens. So, the log of 100,000 is 5—that is, 5 is the power to which ten must be raised to equal 100,000.



Number	Log	Number	Log	Number	Log
1	0.000	6	0.778	12	1.079
2	0.301	7	0.845	14	1.146
3	0.477	8	0.903	16	1.204
4	0.602	9	0.954	18	1.255
5	0.698	10	1.000	20	1.301

By deduction, we can probably see that 2 is the log of 100, 1 is the log of 10, and even that 0 is the log of 1, although that last one may have to be accepted on faith at the moment.

Well now, if the log of 1 is 0, and the log of 10 is 1, surely there must be logs for the numbers in between. For example, what is the log of 2? By observation, we may expect that it is some number,  $n$ , and that  $10^n = 2$ , just as  $10^2 = 100$ .

You can stare at that one all day and not come up with an answer for  $n$ . The answer may be found by an involved process known and appreciated only by mathematicians. A more practical way is to look in a so-called log table, where it will be found that the log of 2 is 0.30103, or just 0.301. When additional calculations will not be required, we may further abbreviate it to 0.3.

Reviewing, we may say that 0.301 is the log of 2, and is the power to which 10 must be raised to equal 2, that is  $10^{0.301} = 2$ . Other than the log table, there is no easy way to discover that  $10^{0.301} = 2$ .

A short table of numbers shown as TABLE I is seen, together with their logs. By studying this table, a few significant facts should be discovered. Notice that when any number is multiplied by 2, the log of the product is equal to the log of the number, plus the log of 2. Multiplying by 3, the log of the product is equal to the log of the number plus the log of 3, and so on.

$$\begin{aligned} \text{example: } 4 \times 3 &= 12 \\ \log 4 + \log 3 &= \log 12 \\ 0.602 + 0.477 &= 1.079 \end{aligned}$$

In other words, when numbers are multiplied, their logs may be added to find the log of the product. Similarly, when any two numbers are divided, their logs may be subtracted to find the log of the quotient. Prove this to yourself.

So, what has all this got to do with recording? Well, you probably know that when the power output of a loudspeaker is doubled, the volume appears to be only slightly increased. It certainly doesn't sound twice as loud. You may already know that the volume level goes up by 3dB. Now, where did this figure of 3 dB come from?

When a larger output power ( $P_1$ ) is to be related to a smaller output power ( $P_2$ ) in terms of dB, the formula is  $\text{dB} = 10 \log \frac{P_1}{P_2}$ . So, if the larger power is double the smaller power ( $P_1 = 2P_2$ ), the formula can be rewritten:  $\text{dB} = 10 \log \frac{2P_2}{P_2} = 10 \log 2 = 10 \times .301 = 3.01$  or simply 3 dB. So, we see that when the power is doubled, the level goes up by only 3 dB. If the original power produced a level of 80 dB, the effect of doubling the power would only raise the level to 83 dB—a depressing thought, but nonetheless true.

Another thing—what does 80 dB mean anyway? In this case, it means that the volume level in the room is 80 dB above the threshold of hearing. If the very weakest sound that the ear is capable of detecting is called 0dB, we are now 80 dB above this point. Since 80 dB is defined as 10 times the log of the ratio of the two powers [the power at the threshold of hearing, and the power required to produce 80 dB], we may write the formula;

$$\begin{aligned} 80 &= 10 \log \frac{P_1}{P_2} \\ 8 &= \log \frac{P_1}{P_2} \\ 100,000,000 &= \frac{P_1}{P_2} \end{aligned}$$

In other words, the power ratio for 80 dB is  $10^8$ , or, 100,000,000:1.

In this example, we referred to the threshold of hearing as 0 dB. This should not be confused with 0 dB on a recording console (or tape machine) meter. The latter should really be called 0 dBm, and is a point of reference, just as is zero degrees on a thermometer. Obviously, the temperature can be lower than zero degrees, and in like manner, levels can be lower than 0 dBm. dBm are measured on a vu (volume unit) meter, which is calibrated so that 1 milliwatt of power in a 600 ohm resistor will produce a reading of 0 dBm on the meter scale. The same formula applies in this application, so that if the power in the resistor is tripled, the dB gain would be  $10 \log 3/1 = 10 \times 0.477 = 4.77$  dB.

Assuming the resistance value remains constant, we may rewrite the formula in terms of voltage values. In this case, it is  $\text{dB} = 20 \log E_1/E_2$ . Thus, if an amplifier in a 600 ohm line raises an input voltage of 0.5 volts to a value of 3 volts, the dB gain is,  $20 \log 3/0.5 = 20 \log 6 = 20 \times 0.778 = 15.56$  dB of gain. ■

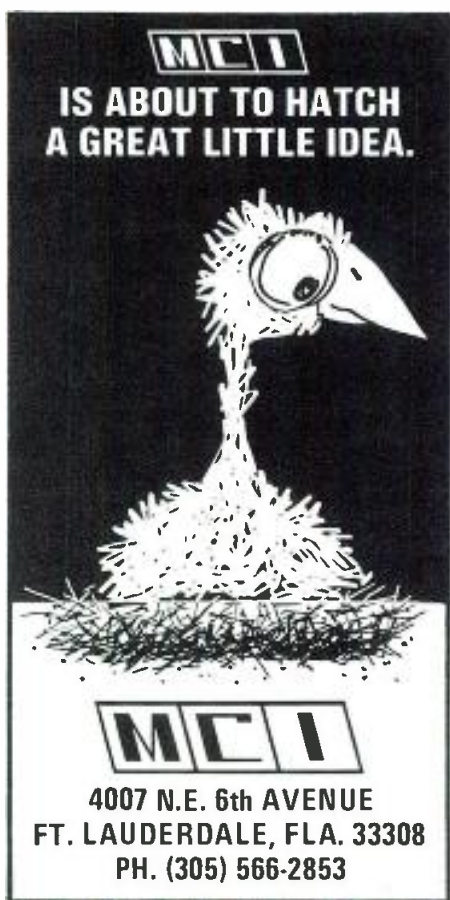
## Copies of db on Microfilm

Copies of all issues of **db—The Sound Engineering Magazine** starting with the November 1967 issue are now available on 35 mm. microfilm. For further information or to place your order please write directly to:

University Microfilm, Inc.  
300 North Zeeb Road  
Ann Arbor, Michigan 48106  
A subsidiary of Xerox Corporation

In addition to Microfilm Copies available through University Microfilm, we have a limited number of regular back issues available. You may order these copies at \$1.00 each from:

Circulation Department  
**db—The Sound Engineering Magazine**  
980 Old Country Road  
Plainview, New York 11803



**MCI**  
IS ABOUT TO HATCH  
A GREAT LITTLE IDEA.

**MCI**  
4007 N.E. 6th AVENUE  
FT. LAUDERDALE, FLA. 33308  
PH. (305) 566-2853

Circle 40 on Reader Service Card



# SPARTA PRODUCTS 'JUST RIGHT'

- selection
- quality
- price

CENTURY SERIES modular tape  
cartridge machines. Quad cabinet,  
all playbacks.

CENTURY SERIES triple rackmount  
Record/Playback.

AC155B REMOTE/STUDIO CONTROL  
unit. Stereo also available.

AS40B 8 CHANNEL stereo console.  
A20B 8 CHANNEL monoural also

GT12 CUSTOM TURNTABLE. Choose  
4-pole or synchronous versions.

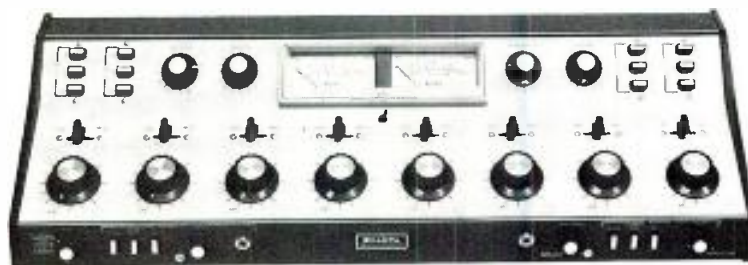
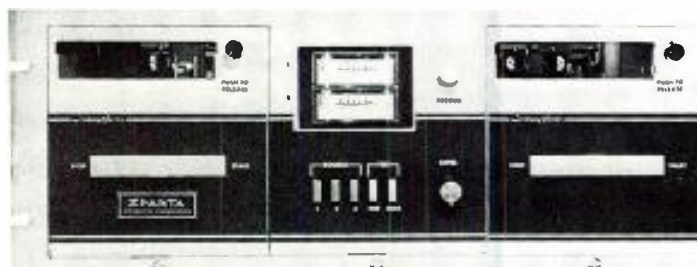
**SPARTA, the just right company; small  
enough to be first name friends . . . big  
enough to supply EVERYTHING.  
Call us. Collect.**



## SPARTA

**ELECTRONIC CORPORATION**

5851 Florin-Perkins Road, Sacramento, Ca. 95828  
916 383-5353 TELEX 377-488 CABLE SPARTA  
A DIVISION OF COMPUTER EQUIPMENT CORPORATION



db March 1973

19

Circle 13 on Reader Service Card

# SOUND WITH IMAGES

## Catching Up

● Since it has been some time since these lines appeared in these pages, and this is the first time this year, it might be a good time to look around at the latest in the audio/video field to see what has been happening. In short, a brief synopsis of some of the developments in the video cassette and disc business and some related new inventions. Some of the material mentioned here might already be known to you and some may be outdated by the time you read this, but some of the information might also be new and useful to you in working with your clients.

Back some time ago, we had a brief chart of the various systems which were being developed at the time to provide video recording and playback from different media. Among them were the ½-inch tape and ¾-inch tape cassettes, super-8 film cassettes, video discs, cartridges, and a few systems by more than one manufacturer, and a few of the largest manufacturers not sure of which way to go so they had under development more than one system. What's happened?

Let's start with the video tape. First out of the gate in the financial sweepstakes was Sony with its ¾-inch U-Matic helical-scan system. Almost at once, many of the large industrial firms hopped onto the bandwagon and began setting up internal hookups for training, educational applications, recording and sending material from one office to another. So far, the prime targets have been industry and educational institutions. (Next, the home consumers.) The conventional helical-scan process is used, with two heads on a rotating drum.

Although there has been no agreement on any standards for video tape systems, it seems that other major manufacturers have followed suit and are making machines compatible with the Sony. JVC Nivico, Matsushita, Panasonic, and Concord are some of the names familiar to everyone which are associated with ¾-inch machines similar to Sony. Modifications have been made so no two are identical, but the operation is similar and the sound, video, and sync signals are compatible between the machines. The changes might be a different out-

put plug as in the Wollensak version of the Sony, or an "elevator" type of cassette insert whereby the cassette is lowered into the machine gently, electrically, when a button is pressed and not mechanically as other models. Or a particular model might have fast rewind without the head descending from the inside of the cassette before fast movements begins. This feature allows immediate replay of small segments just played without much delay. Other differences might be "freeze frame" or remote control, perhaps as either built-in or optional features, but the principal of operation is the same for all of these.

Reports are presently available on the use being made by some of the largest purchasers and some of them have just bought, or are in the process of buying, quantities ranging from several hundred to over a 1,000 units each. The Army has adopted this format and is presently using more than 500 machines of the Sony brand. With this many now in use and orders still coming in, it is no wonder that Sony is about to increase its production by more than double to manufacture in excess of 100,000 machines this year.

Following closely behind the ¾-inch systems in the video tape cassette business are the ½-inch manufacturers. The first of these to hit the consumer market was the Avco Cartrivision. In order to accommodate two hours of playing time, in contrast to the present maximum of one hour on the ¾-inch cassettes, it was necessary to design a different type of operation. A rotating drum is used, but with three heads instead of two. This arrangement permits recording of every third field and then three scannings to reproduce the video information. Since this system is not compatible with other ½-inch standards, the recorder/playback unit comes in a cabinet with a color t.v. set as a total package. Presently sold primarily through some of the larger chain stores and selected dealers in certain cities only, reorders in the thousands are being made. Some of the names you will see with this system are Sears, Montgomery Ward, Teledyne Packard Bell, and Admiral.

In the ½-inch cassette field in which the recorder/player is a separate unit and will connect to any t.v.

set, as do the ¾-inch units. Panasonic and Shibaden are among the leaders. In this medium, a standard had previously been set up for reel-to-reel machines. Conforming to this EIA-J format in the cassette machines permits owners to use the cassette on a reel type machine with an adapter. (The standard was set up for black-and-white and was to be adopted for color as well, but there was some delay in this move.) The Shibaden brand, coming into the market later than the other, has some differences, among which is a drop-out compensator, built-in, to compensate for defects of the tape or dirt on the tape surface.

Another ½-inch tape development comes from Europe where Philips uses a system not compatible with the EIA-J standard. A two-head helical scan format is used, but the speed is different and the output, at present anyway, is in the European 625-line and 50-field configuration with PAL color, not useable in the U.S. home. European manufacturers, such as Telefunken, Blaupunkt, Grundig, Nordemende, and European Sony may agree to make this their standard.

Some time ago, RCA started out on its own to develop a system they termed SelectaVision based on a very inexpensive medium similar to cellophane wrapping and using a low-level laser and a holographic image. They started shortly thereafter on a crash-type program to develop a tape system and came up with SelectaVision Mag-Tape. Not compatible with the other ¾-inch systems, the system in this machine uses four heads. One different feature is an arrangement to permit the viewer to watch one channel on his set while recording a completely different channel for later playback. (No more missing half that other football game or baseball game, complete with commercials.) At present, Bell and Howell as well as Magnavox will be working with this system. In the next couple of years, over 100,000 of these units will be made.

Before we leave the tape systems, you might ask what happened to In-savideo, the Ampex development. Although Ampex has dropped out of this field, the system will be continued by the Toshiba people in Japan. This system is compatible with the EIA-J standard for ½-inch tape.

Back in November of 1970, just a little over two years ago, *db* carried a full story on the development of the Teldec video disc. This is the year, 1973, that the disc is expected to be on the market. You will recall that an inexpensive, flexible, PVC foil disc is used and the method of pickup is a specially designed stylus. Shortly

# If You Want To Hear Something Great, Read This.

Stop by our booth at the NAB Convention in Washington, March 25-28, and listen to our pitch.

You'll hear it loud and clear on our new Scully 280B magnetic recorder/reproducer. (The 280B has, to our knowledge, the best signal-to-noise ratio in its price range.)

The 280B also has a new feature that lets you switch directly from "record" to "play" without stopping at "stop." And it has one, two and four channel capability.

We'll also demonstrate our new Metrotech 400 Series Logger and 4400 Time Code Generator. A new track format on the 400 lets you log twice as much programming on a standard reel of tape.

Which, simple mathematics tells you, can cut your tape costs by half.

So drop by Booth 614 in the Ambassador Room of the Shoreham Hotel.

While you're in Washington, we can go through channels together.

 **Scully/Metrotech**

*Division of Dictaphone Corporation*





# Foot loose

'n fancy free. That's us.

**Beautiful schooner.  
Exciting li'l West Indies Isles.  
And you.**

**If you're congenial and  
would like to sail with a  
small, intimate group,  
we're for you and you're  
for us. Now forming to sail.**

**Your share from \$245.  
10 great days. Hurry.  
Write today for information.**



**Windjammer Cruises.**

Name \_\_\_\_\_  
Address \_\_\_\_\_  
City \_\_\_\_\_ State \_\_\_\_\_ Zip \_\_\_\_\_  
Phone \_\_\_\_\_

P.O. Box 120, Dept. 970D, Miami Beach, Florida 33139

after the first demonstration in black-and-white, a color unit was shown and then a unit which permitted "stacking" of discs to permit a longer sequence with virtually no delay.

Since then, two other discs have made their entrance to the video arena, and two others have been mentioned as in development or coming out soon. The MCA Disco-Vision system uses a 12-inch diameter disc rotating at 30 rev/sec, cut on one side, carrying up to 40-billion bits of information and capable of playing up to 40 minutes. The pickup is by a low power laser rated at 9,000 hours. As there is no contact with the record, life expectancy is indefinite. The system is playback only and is capable of stop-action. As with other types of records, random access makes finding material anywhere on the disc simple and quick. The system is also capable of "crawl motion." Single or stack-loading is available. Total playback time up to 6½ hours is possible from unhandled stack.

The other system shown recently (Dec., 1972) is the Arvin development of a magnetic disc system which permits recording and erasing, something the other record methods do not. However, the unit is relatively expensive compared with the other devices, and because of its capability to record 300 individual frames on one side of the disc and then play them back at discrete rates of 1 to 15 frames per second, this system will probably find its application in video stations, production houses, c.a.t.v. studios, etc. The ability to stop action and play at different speeds makes it an interesting special-effects device.

Still another disc system was developed by Philips. Called a VLP (video long playing) the disc records a complete image in a single revolution. A total of 45,000 images, up to about 45 minutes of playing time, is available from the lp-sized record. Here, too, the reading system is optical, using a laser to read the small pit-like grooves on the record. The system allows operation in slow motion, stop-action, and backwards. Here, also, since there is no contact between the disc and the pickup, there is no wear.

Although there has been no showing as far as we know, there has evidently been a disc developed by Panasonic, apparently to show that they are not hemmed in by either the ¾-inch or ½-inch tapes systems they have. If and when something more becomes available on this disc, we hope to bring it to you with all possible speed.

What else is new? How about color pictures from an audio cassette? Matsushita has shown a system capable

of reproducing up to 1,000 still images on a home t.v. set from a standard C-60 audio cassette, with stereo sound. The cassette is played at normal speed.

With all the talk about different tape widths for video reproduction, IVC has developed a 1-inch system compatible with their own 1-inch machines. This permits transfer from one type of machine to the other very simply.

In an associated field, a new development by the Goldmark Communication Corp. is made to work with video cassette units and can be attached very easily. Because of the type of pickup used in helical-scan machines, there is the possibility of a slight time difference in the reading of the two heads as the tape passes. This can be the result of stretched tape or a change in tension. The result is seen on the screen as wavy images along the top of the picture. Some machines have skew correction controls, but in some cases, even this control is not enough. Most times, the distortion will not be seen as it occurs off the screen, but can cause problems if correction must be made continuously. The new device is an automatic skew corrector which reads the time difference in the horizontal signals from the two heads and makes instantaneous and continuous corrections.

There's lots more, but for now let's hold up and save some for a subsequent issue. Look for Vid Expo '73 in N.Y.C. in September. ■

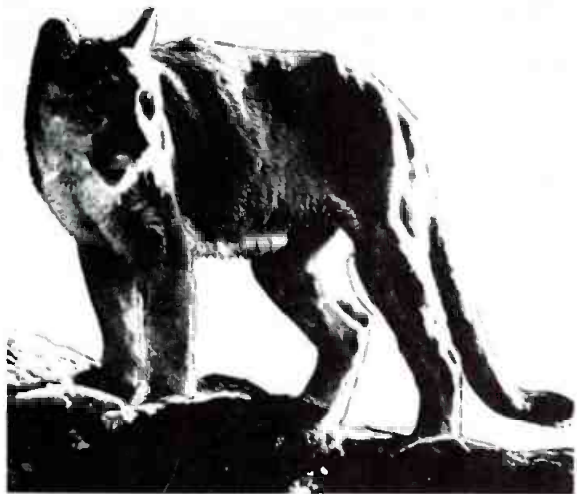
## Copies of db on Microfilm

Copies of all issues of **db—The Sound Engineering Magazine** starting with the November 1967 issue are now available on 35 mm. microfilm. For further information or to place your order please write directly to:

**University Microfilm, Inc.  
300 North Zeeb Road  
Ann Arbor, Michigan 48106  
A subsidiary of Xerox  
Corporation**

In addition to Microfilm Copies available through University Microfilm, we have a limited number of regular back issues available. You may order these copies at \$1.00 each from:

**Circulation Department  
db—The Sound Engineering  
Magazine  
980 Old Country Road  
Plainview, New York 11803**



When was the last time you enjoyed the solitude of a long, lonely stretch of beach? Breathed fresh, clean, sweet air? Fished in a crystal-clear mountain stream, and felt rested and renewed by "...the tonic of wilderness"?

Yes, there is still some "wild America" left, despite man's abuses. Come with us now, far beyond the crowded parking lots and picnic tables, to the little-known, unspoiled wilds where nature is still the dominant force and man is only a visitor.

**You'll experience the joy and the challenge of meeting nature on its own terms**

Here is what it is *really* like to rough it in the wilderness. Through magnificent photographs and lively text filled with personal observations, anecdotes and experiences of avid outdoorsmen and conservationists, you'll know what it feels like to ride a horse through the high Sierra... roam from the storm-racked coast of Maine north to Newfoundland... view the stratified profile of the earth's geological past in the Grand Canyon... discover outrageous beauty in the wilds of Alaska, where there is a glacier bigger than Rhode Island.

**A unique series of books, as useful as they are beautiful**

THE AMERICAN WILDERNESS series is more than a collection of beautiful books. Each volume is also an adventurous narrative of men and the forces of nature... a fact-filled natural history that describes the geology, the climate, and the ecological relationships between the living creatures and the land... a valuable reference source for the entire family—for the naturalist, outdoorsman, the curious traveler and the serious student.

If you've ever enjoyed going into the woods and mountains to fish, hike, picnic or just to watch the splendor of a sunrise, you'll want to enjoy a 10-day free examination of *The High Sierra*, the introductory volume in THE AMERICAN WILDERNESS series. It's yours with our compliments, when you mail the coupon below.

Each hardbound book in the series is 9 by 10 3/8 inches, contains 200 pages with 40,000 or more words of text and more than 100 illustrations, with an average of 85 pages of full color.

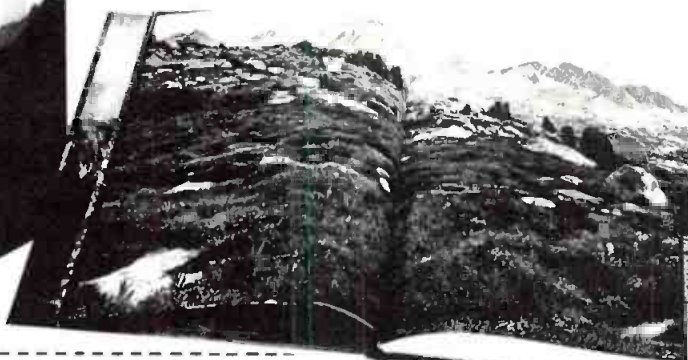
Slow down. Take some time off, and get to know

# THE AMERICAN WILDERNESS

An important new series from the Editors of



**TIME LIFE BOOKS**



Roam through *The High Sierra* for 10 days free as your introduction to

## THE AMERICAN WILDERNESS Series

Journey to the past and discover the high Sierra with the earliest explorers. Witness the bonanzas and tragedies of the emigrants, including the ill-fated Donner party. The Calaveras skull fraud. The Great Ice Age controversy. Learn how the Sierra Nevada got the way it is, and what is happening to it now.

Future titles include: *The Grand Canyon, The Northeast Coast, Wild Alaska, The Everglades, The North Woods*

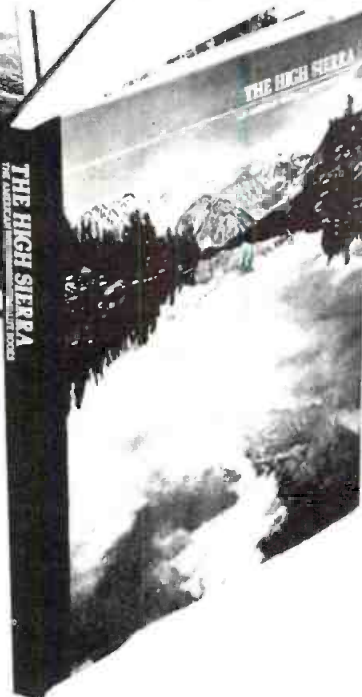
MAIL TO: TIME-LIFE BOOKS, 6338 Lindmar Dr., Goleta, Ca. 93017

Yes, I would like to examine *The High Sierra*. Please send it to me for 10 days' free examination and enter my subscription to THE AMERICAN WILDERNESS. If I decide to keep *The High Sierra*, I will pay \$5.95 (\$6.25 in Canada) plus shipping and handling. I will then receive future volumes in THE AMERICAN WILDERNESS series, shipped a volume at a time every other month. Each is \$5.95 (\$6.25 in Canada) plus shipping and handling and comes on a 10-day free-examination basis. There is no minimum number of books that I must buy, and I may cancel my subscription at any time simply by notifying you.

If I do not choose to keep *The High Sierra*, I will return the book within 10 days, my subscription for future volumes will be canceled, and I will not be under any further obligation.

NAME (last name) \_\_\_\_\_ (first name) \_\_\_\_\_  
 ADDRESS \_\_\_\_\_  
 CITY \_\_\_\_\_ STATE \_\_\_\_\_  
 ZIP \_\_\_\_\_

7-240 24430





# Why the first name in recording has the last word in quadraphonic.

## It Takes A Little Longer To Be Right.

While a lot of the other companies were busy bragging about how sensational their matrix quadraphonic recordings sounded, we knew that what they touted to be true quadraphonic sound really wasn't. The Discrete RCA Quadradisc is.

## The Discrete RCA Quadradisc Was Worth Its Wait.

The sound reproduction from our discrete Quadradiscs is the standard in high fidelity recording. Its "in-person presence" a technical triumph for the most demanding connoisseur. The Quadradisc's realism is revolutionary because the Quadradisc wraps its sound around you. To make you feel like you're sitting in the center of the sound on stage; or, it can treat sound as the ambient reflection of the concert hall and provide you with the best seat in the orchestra. No matrix system is capable of doing this. The RCA Quadradisc is. Every one of its four channels is recorded and reproduced on its own separate track. That's what makes us discrete and everyone else, well, just everyone else.

## The RCA Quadradisc Delivers Better-Than-Stereo Sound On A Stereo.

Even if you don't own a quadraphonic system right now, you can enjoy RCA Quadradiscs on your present system. In a recent issue, *Time Magazine* said "...the stereo sound from one of RCA's new Quadradiscs is stunning!"

## Quadradisc Compatibility Guaranteed

An analysis by a leading independent research laboratory, in

accordance with standards set by the Recording Industry Association of America (RIAA), has enabled us to guarantee full compatibility of the RCA Quadradisc when played on standard stereo systems. They have also certified that the RCA Quadradisc plays with excellent frequency response, in full accord with The National Association of Broadcasters (NAB) Disc Recording and Reproduction Standards.

## Guaranteed Quality Doesn't Cost More

While a lot of other companies are charging extra for their quadraphonic recordings, RCA Quadradiscs are available at the same price as regular stereo records.

## The Pros Agree

- **Walter Carlos - Columbia Recording Artist:** "When Rachel Elkind and I began our *Sonic Seasonings* album, we planned for quadraphonic and recorded all the material in quadraphonic... We tried to process this master on all the known matrix systems... I am most unhappy to report that the results were catastrophic. "No other product will be marketed in quadraphonic now for awhile - until a non-matrix system is accepted as an industry standard. Perhaps the JVC/RCA carrier disc is the answer... "With a discrete release available we can have the best of all worlds."
- **New York Times:** "Since there can be no doubt in anyone's mind who has heard both systems that the discrete method is clearly superior, it probably should be used for all new recordings."
- **Stereo Review:** "Assuming that having four channel sound is a good thing, it is agreed by all that the ideal way to record and reproduce four channels of information is with a discrete

system in which each channel remains completely independent of the others throughout the recording and reproduction process.

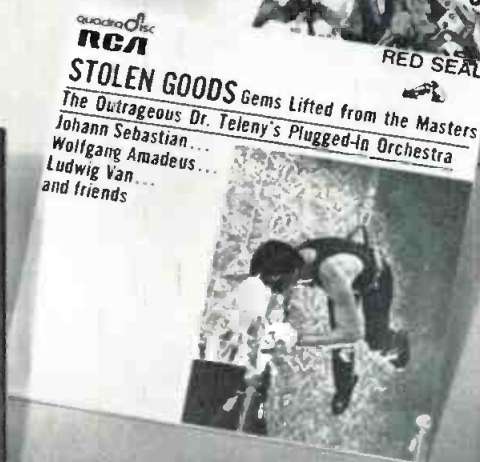
"The Quadradisc can provide discrete material from all speakers simultaneously - something no matrix system can do!"

## They Chose To Be First. We Chose To Be Best.

All quadraphonics are not created equal. Other companies spoke too soon and claimed too much. We stayed silent until we had our quadraphonic recording system perfected. Now we do. And we're working with high fidelity manufacturers like JVC, Panasonic and others to implement the state-of-the-art. And we are working with our artists and producers, creating musical material that will utilize the RCA Quadradisc to its greatest potential. That way you'll get the best of both worlds - the artist's creative freedom coupled with engineering integrity. In rock, pop, classical, country and rhythm and blues. For now and for the future. The Discrete RCA Quadradisc. The first quadraphonic record that's true quadraphonic.

Sometimes you have to save the best for last.





quadraDisc  
RCA

# NEW PRODUCTS AND SERVICES

## PORTABLE WOW, RUMBLE and FLUTTER METER

● This unit contains metering to 0.01 per cent accuracy. Can be used as a voltmeter and contains a built-in oscillator.

*Mfr: CCA Electronics Corp. (Rek-O-Kut)*

*Price: \$495.00*

*Circle 77 on Customer Service Card*



## TRANSPORTABLE SOUND MIXING CONSOLE



● The new BCM 10/2 sound mixing console is designed for high quality mono or stereo broadcasting or recording. It offers ten full mixing input channels with equalization and two principal output groups, each controlled by precision faders. Fully transportable, the equipment includes reverb, studio foldback and communication, cueing, two-speaker monitoring, equipment control interlock, and signalling facilities.

*Mfr: Rupert Neve Inc.*

*Circle 53 on Reader Service Card*

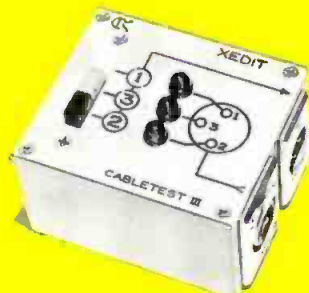
## CABLE TESTER

● This simplified cable tester checks audio and microphone cables fitted with standard XLR-3 connectors without the awkwardness of the clip lead vom method. Cabletest III tests for shorts, continuity, phase, and intermittent connects, utilizes led's as indicators and is housed in a rugged cast aluminum housing.

*Mfr: Xedit Company*

*Price: \$50.00*

*Circle 59 on Customer Service Card*



## M-16 NOISE REDUCTION UNIT



● This small (10½ inch high) unit contains sixteen A-type Dolby Cat. 22 plug-in noise reduction modules and a 115/230-volt power supply. It also has a separate remote control module with which all controls common to the sixteen tracks can be actuated from the studio mixing console. These controls are duplicated on the common facilities panel of the M16; local or remote operation can be selected with a switch. Automatic switching between the record and play modes is remotely controlled by the controls of the tape recorder. Push-button control actuates the calibration oscillator, feeding the Dolby Tone to the recorder; meters show

the flux level of the tone on each of the sixteen tracks of the tape. At the same time, small loudspeakers in the M16 and remote control module reproduce the tone from the tape. Indicator lights on each of the interface modules show whether the taped signal or line-in is being metered by the M16. Separate level controls for line-in and monitor output eliminate the need for mixing console level-matching and facilitate adjustment of the system for use with high-output tape. The flexible modular construction enables changeover from M8 to M16 or expansion to M24 if required.

*Mfr: Dolby Laboratories Inc.*  
*Circle 72 on Customer Service Card*

## TWO-CHANNEL RECORDING PACKAGE



● Optimal use of discrete and i.c. circuitry permits Model 355 2-channel tape recording electronics package to deliver high performance despite compact size. Features include 3 speed equalization for any combination of NAB or IEC characteristics, remote selectability of operating modes and monitoring functions, 250 kHz bias, separate sync playback amplifiers, adjustable linearization and phase compensation to minimize recorded distortion, and sufficient overload margin to realize the full potential of mastering tapes. 3½-inch rack-mount package. Accessories available: remote control panel, 1A and 5A power supplies, line matching transformers.

*Mfr: Inovonics, Inc.*

*Price: \$1,150*

*Circle 81 on Customer Service Card*



## CORDLESS SOLDERING IRON



● Heavy duty industrial cordless soldering iron model 7500, powered by long life nickel-cadmium batteries, with "charge holder" stand for continuous recharging soldering performance equivalent to up to 50 watts with over 700 degree tip temperature. Absence of electromagnetic field during heat cycle makes this iron efficient for IGFET and MOSFET work. Built-in work light and on/off indicator.

*Mfr: Audiotechniques, Inc.*

*Price: \$19.95*

*Circle 58 on Reader Service Card*

## POWER AMPLIFIER



● Problems caused by a wide-ranging frequency-dependent impedance curve on highly reactive speaker systems are solved by a new output protection circuit design on the DC-300A amplifier. This direct-coupled solid-state amplifier will drive any impedance load, including a totally reactive load, with no adverse effects. The new output protection design eliminates the flyback pulse and has also allowed the elimination of the d.c. fuses and the protection mode switch. DC-300A is designed around a dual integrated circuit, further simplifying the circuit design. For mono use, the DC-300A becomes a 600 watt continuous power (8 ohm) mono amp with the insertion of two plug-in parts to the main circuit board. The balanced 70-volt mono output will drive any load from 4 to 16 ohms.

*Mfr: Crown International*

*Price: \$685.00*

*Circle 80 on Customer Service Card*

## COMPACT ELECTRONIC VOLTMETER



● This small sized general purpose voltmeter model 2425, is capable of indicating + and - peak, true rms and average value of signals. Useful for measurements on signals with complex waveforms. Included is a peak hold and a maximum peak function with manual reset for measurement on impulse signals. The amplification of the voltmeter is calibrated and adjustable in 10 dB steps. For this purpose, linear a.c. and d.c. outputs are available. Linear frequency range from 0.5 Hz to 500 kHz, sensitivities from 1 mV to 300 V (full scale deflection), calibrated amplification 60 dB, two built-in meter time constants, interchangeable meter scales. Mains or battery operated.

*Mfr: B & K Instruments, Inc.*

*Circle 61 on Customer Service Card*

## PORTABLE ELECTRONIC PIANO



● Compac-Piano only 39 $\frac{3}{4}$ -inches wide and weighing just 21 pounds, can be carried under one arm. Plugged into an amplifier, it has an authentic piano sound and can be switched to clavichord or honky-tonk voices. It has a 61 note, five octave keyboard and includes a sustain pedal.

*Mfr: Univox (Merson Musical Products)*

*Price \$499.50*

*Circle 84 on Customer Service Card*

# Chief Engineer

### THE JOB:

1. Koss Corporation wants a results oriented Chief Engineer for electro-acoustical consumer products.
2. Responsible for creating successful new products, completing research and development prototypes and engineering sketches on time.
3. Provides leadership, inspires and teaches subordinates.
4. Will direct engineers, physicists, designers, and technicians.
5. Reports to the Vice President of Engineering.
6. Will be located in our corporate headquarters in Milwaukee.

### THE COMPANY:

7. Koss Corporation, world's leader in stereophones, with present sales over \$10 million a year.
8. The company is growing at better than 40% per year and is very profitable.
9. Headquartered in Milwaukee with subsidiary operations in Milan, Italy; Frankfurt, West Germany; and Paris, France.
10. We have ambitious new product programs, long range objectives, and we have the resources to achieve them.
11. We have an aggressive management team all of whom operate on the Management by Objective concept.

### REQUIRED EXPERIENCE:

12. Must be an engineering graduate.
13. Must have a solid theoretical background in transducers.
14. Must have experience in research and development, product design and manufacturing.
15. Experience should have been in the high fidelity industry including products such as loudspeakers, phonocartridges, microphones or headphones.
16. Must have a work history showing progressive growth.
17. Must have contributed to the art as demonstrated by publishing papers, earning awards, patents, etc.

### DESIRABLE BACKGROUND:

18. Experience in companies noted for high quality and high performance products.
19. Knowledge of plastic molding operations.
20. Knowledge of metal stamping operations.
21. Experience with value analysis programs.

Send resume stating salary requirements to:

Robert L. Old  
Senior Vice President  
Koss Corporation  
4129 North Port Washington Road  
Milwaukee, Wisconsin 53212

An equal opportunity employer



## SOUND ISOLATION ROOMS

● These cubicles, offering comfort as well as a controlled acoustical environment, are made from 4-inch thick steel panels filled with sound-retardant and sound-absorbing materials. Floor panels rest on properly loaded vibration-isolator rails providing a natural frequency of less than 7 cycles per second. The silenced ventilation system is either a discharge silencer in the roof panel acting as an intake and exhaust silencer or a forced ventilation system guaranteed to be below the binaural M.A.F. 0 degree azimuth threshold of hearing. Sound-proof doors are 3½ inches thick with double acoustic seals. Each door has a window and another window in the cubicle eliminates claustrophobic difficulties. Windows consist of two layers of ¼-inch safety glass separated by an air space and sealed in acoustically tight rubber seals; a desiccant material in the air space prevents misting. The rooms range in size from 4 x 5 x 6 feet 6 inches up to 6 x 9 x 7 feet. Units can be supplied either factory assembled or in component parts for on-the-site construction.

*Mfr: Industrial Acoustics Co., Inc.*  
*Price: \$1,680 - \$3,420 (quantity discounts available)*

*Circle 70 on Customer Service Card*



## MIC-HEADSET COMBINATION



● Especially useful for outdoor on-the-spot broadcasting, CS-90 combination headphone/microphone allows hands-free operation and great versatility. The wide range, dynamic boom microphone has an exclusive non-metallic diaphragm which withstands high humidity, temperature extremes, corrosive effects of salt air and even severe mechanical shocks. Low frequency response produces crisp, clear voice transmission; omni-directional design picks up background sound. An in-line push-to-cough switch mutes the microphone when desired, can be locked in an off position and has a cord clothing clip to reduce direct pull on the headset. The CS-90 is binaural and is supplied with non-terminating cordage, adaptable to equipment in use. One channel can be used for program monitoring and the other for cueing, or the earphones can be wired in parallel for standard mono use. Comfortable foam-filled ear cushions.

*Mfr: Telex*

*Price: Under \$100*

*Circle 85 on Customer Service Card*

## MASTERING TAPE



● A new binder system, a new iron oxide, and a new dispersion process provide superior print-through qualities and reduced head-wear on these back-coated tapes. Available either with a base of 1.5 mil polyester, length 2500 feet (type 2506) or 3600 feet long with a base of 1.0 polyester (type 3607). Reel diameters for both tapes is 10½ inches. Ideally suited for copying, overdubbing, duplicator masters, and other applications demanding repeated and hard usage.

*Mfr: Audio Devices Inc.*

*Circle 66 on Customer Service Card*

## TRUE RMS TO D.C. CONVERTER



● This unit allows any d.c. meter to accurately measure true rms. It will increase the sensitivity, frequency response, and accuracy of any multi-meter or dvm. Converts any wave shape to a d.c. output, has an accuracy of 0.3 per cent, a bandwidth to 500 kHz, and its own input ranging amplifier of 1 mv to 150 V. The signal to be measured is applied to the converter input and measured at the converter output with any d.c. meter, dvm, or dmm. Measures 3x4x 6.5 inches.

*Mfr: Universal Filter & Demodulator Corp.*

*Price: \$198.00*

*Circle 60 on Customer Service Card*

## SHEARING TAPE SPLICER



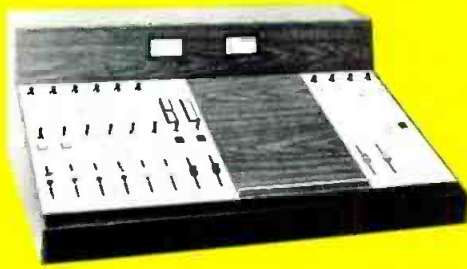
● A tape splicer that shears rather than cuts the tape has been recently announced. The manufacturer claims that shearing results in preparing better and faster splices. The unit, which is self-sharpening, comes in two sizes: standard ¼ inch or 0.150 for cassette tapes.

*Mfr: NRP*

*Price: \$16.95*

*Circle 51 on Reader Service Card*

## MODULE CONSOLES



● Seven easy-to-plug-in i.c. op-amp modules make it possible to start this console with a few channels and gradually expand, or to move channels from one studio to another. The new integrated circuit broadcast modules provide for mic, medium-level, high-level and remote inputs and outputs, communications and monitoring. Each module is a complete operating channel, with frequency response, distortion and noise characteristics claimed to exceed NAB standards. Two of the modules, the mic ICBM-MI and the medium-level ICBM-LI, contain limiters that make them impervious to overload, no matter how strong the mic signal. The IBM-MI also features a vertical fader with a cue switch and delegation and cough switches; ICBM-LI is similar, except for the cough switch and gain. The high-level input module, ICBM-HI, has balanced input, followed by gain control with a cue switch and assignment circuit. A remote input provides six, switch selectable lines that are fed into an input fader with cue switch and then are delegated into a mixing bus, and a talk-back facility into the remote lines. ICBM-O, the output module, consists of an active mixing circuit, followed by a mono switch, fader and line amplifier and includes transformer isolated output, phase reversal switch and a built-in 6 dB pad for telephone line feed. The monitor module, ICBM-M, has 10-watt and 3-watt amplifiers and a 10-watt monitor with selectable sources; amplifiers can be muted with a built-in relay. The communications module, ICBM-C, consists of a high gain, 2-watt amplifier with relay switching so the talk-back speaker is used as a mic or a speaker. A script panel module is available. The modules measure 2 inches wide x 18½ inches long and are packaged on formica-covered aluminum strips with Blue Ribbon connectors. Console shells are available in widths up to 48 inches.

Mfr: Fairchild Sound Equipment Corp.

Circle 78 on Customer Service Card

# PROKIT

## THE FLEXIBLE MIXER SYSTEM with RAVE REVIEWS!

LARRY ZIDE in

**dB**  
THE SOUND ENGINEERING MAGAZINE

"No kit I have ever built has had the quality of componentry that exists in this unit . . . This unit is fully professional in every way — nothing about it is consumer . . . Well worth the asking price of \$299.00 kit."

ED DELL in

**the Audio Amateur**

" . . . one of the finest pieces of audio equipment available to the home user . . . In use, the SM-6A is the equal of any piece of audio equipment it has ever been our pleasure to use. Intermodulation distortion (60 & 6,000 Hz, 4:1) on the microphone inputs was 0.008% @ 0-6V out. In use the SM-6A is a solid, smooth, well built unit."



SM-6A  
MIXER

\$299<sup>KIT</sup> \$499<sup>WIRED</sup>

● 6 mic, 6 line, and 2 mag. phono inputs ● low noise IC circuitry ● VU meters



EQ-6  
EQUALIZER

\$149<sup>KIT</sup> \$299<sup>WIRED</sup>

● individual high and low frequency equalization for each SM-6 input



EK-6  
REVERB UNIT

\$179<sup>KIT</sup> \$325<sup>WIRED</sup>

● 6 individual send controls ● 2 quality reverb springs  
● each input assignable to either or both outputs

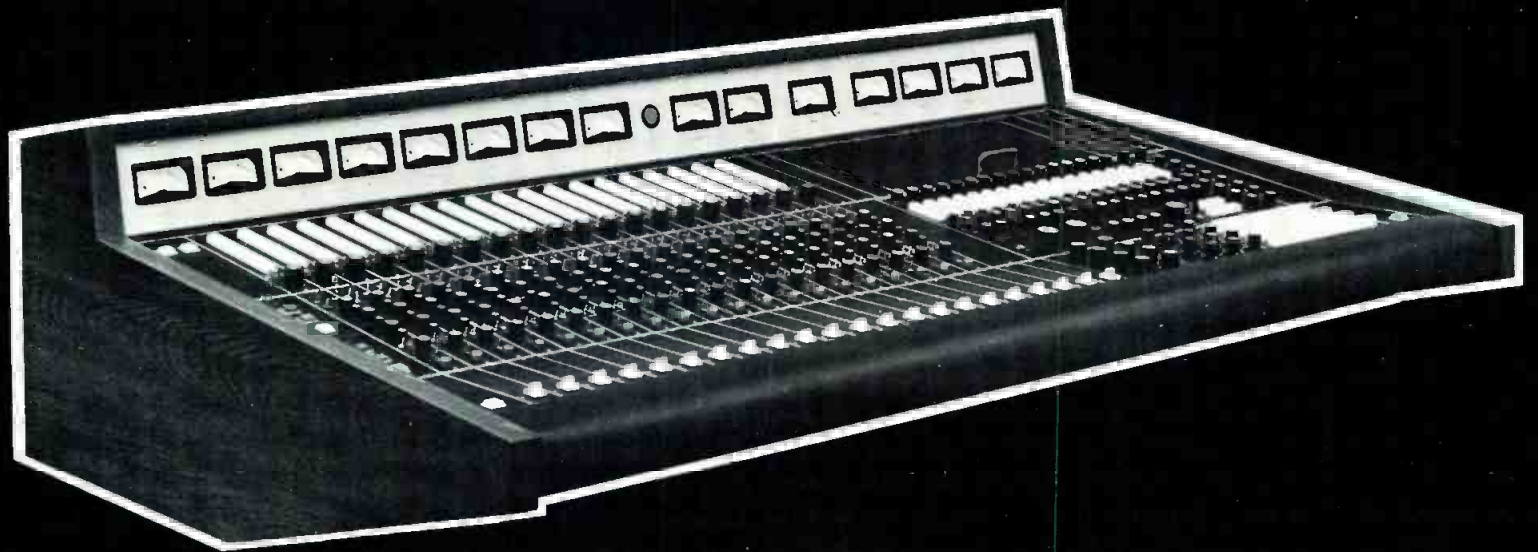
**PK**

PROKIT DIVISION  
GATELY ELECTRONICS  
57 WEST HILLCREST AVE.  
HAVERTOWN, PA. 19083  
215-446-1415

Circle 21 on Reader Service Card



# ULTIMATE



**PERFORMANCE:** SPECTRA SONICS design and quality control assures undistorted reproduction. Empirical data conclusively confirms that noise, frequency response, distortion, square wave response, peak overload and phase distortion specifications for SPECTRA SONICS control consoles are goals as yet unattained by other manufacturers of audio products.

**DEPENDABILITY:** SPECTRA SONICS consoles operate reliably, consistently and assure the maximum production time for the highest investment return.

A SPECTRA SONICS audio control console can be built to your special requirements, at competitive production prices.

Visit SPECTRA SONICS at the A.E.S. Convention, Booth #55.

Measure the performance of your console, compare it with SPECTRA SONICS specifications. For data on SPECTRA SONICS consoles or other quality audio products, write or call:

770 Wall Avenue  
Ogden, Utah 84404  
(801) 392-7531

6430 Sunset Blvd., Suite 1117  
Hollywood, Calif. 90028  
(213) 461-4321

**SPECTRA SONICS**

LEADER IN ADVANCED TECHNOLOGY



Circle 29 on Reader Service Card



CLIVE ROSS

# Electronic Signal Switching for Tape Recorders

*The new multi-track professional audio recorders are probably the most challenging application for electronic signal switching, demanding transient free operation and low noise characteristics. This article covers the various circuit configurations and switching elements used in current designs.*

**U**NLIKE OUR OLD FRIEND the relay, the solid-state switching element needs a more subtle approach from a design point of view. But the rewards are greater in most cases, giving a wider range of control and high speed.

The field effect transistor is the most commonly used switching element, and, providing its limitations are well recognized, it is a very successful device, more so than its bi-polar counterpart. Before considering the f.e.t. and its applications, we should look first at other alternatives, because cost is a predominant factor. If in a particular application a simple form A reed switch can be used for a couple of dollars, why use a twenty-dollar f.e.t.? Naturally, I have quoted an extreme case here, but don't lose sight of common sense just for the sake of the magic word *solid state*.

Let us consider each device in turn and discuss the various applications, advantages, etc.:

## THE REED RELAY

Cost: Reasonable, a few dollars  
'ON' Impedance: Very low, milli-ohms  
'OFF' Impedance: Very high  
Capacitance: Low, a few pF  
Current Handling: High, 1 amp  
Operate Time: 0.3 — 1 ms  
Size: Reasonable 0.2x0.24x0.8 in.  
Operate Power: High

*Clive Ross is a senior electronics engineer, professional audio products for 3M Company.*

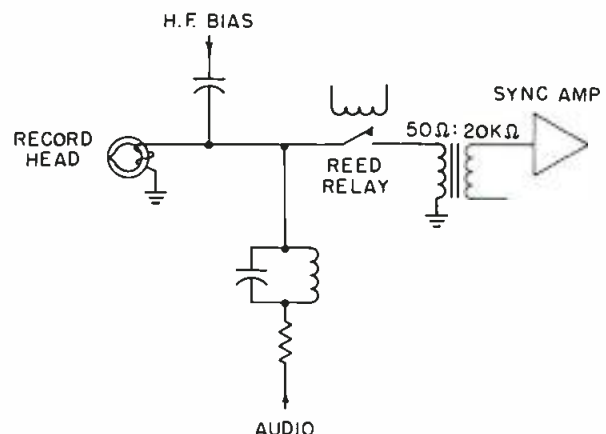
## DISCUSSION

Very useful in low impedance, low noise circuits where a step function change in signal off to on or vice versa is acceptable. Keep in mind contact bounce, which can be eliminated using a mercury-wetted contact type at higher cost.

## APPLICATION

Record head switch for overdub/sync. function. Generally used where impedance is below 1000 ohms. (FIGURE 1)

Figure 1. A reed relay switch.



## THE SOLID STATE RELAY

Generally an r.f. oscillator, isolation transformer and transistor switches packaged in a dual in-line package.

Cost: Medium  
 'ON' Impedance: Low, 2 ohms or so  
 'OFF' Impedance: High  
 Current Handling: Low  
 Operate Time: Medium 10  $\mu$ S  
 Signal Level Handling: High, 50 V.  
 Operate Power: High

## DISCUSSION

Works well in high level circuits with the capability of slow operation by programming the d.c. supply to the device.

## APPLICATION

For high level circuits where complete isolation is necessary and *slide on/slide off* characteristics are necessary.

## PHOTON COUPLED DEVICES

The lamp and photocell package is frequently useful where a wide range of control is desired with no waveform effects. The l.e.d. units offer high speed in comparison to the filament lamp/photocell units where a time constant characteristic can be provided. Complete isolation between switch command and signal is inherent in these devices. Medium or high *on* resistance available only. (50 ohms — 5k ohms) Characteristics to "watch out for" are: aging (change of *on* resistance with time); effects of temperature upon *on* resistance in some types of devices.

## BIPOLAR TRANSISTOR AND DIODE SWITCHING

In the low cost devices, the junction transistor has lower *on* resistance than the f.e.t. A source of bias is always required so that the emitter-base junction can be reversed biased in the *off* condition. This is generally achieved by connecting the transistor switch to a point in the circuit where a d.c. potential is available; for example, the output of an amplifier as shown in FIGURE 2.

In a similar way, diodes are often used for switching signals; the diode is forward biased in the *on* condition and reverse biased in the *off* condition (see FIGURE 3).

In the foregoing signal switching circuits using the pnp transistor or the diodes, the switches rely on a specific d.c. current flow through them to close the circuit and hence pass the superimposed signal. The main reason for using active switching is that the switching command can be remote and have low power requirements.

## F.E.T. SWITCHING

One of the disadvantages of the previous semiconductor switches is the transient at the switching point due to the inherent d.c. level changes. The f.e.t. overcomes this, be-

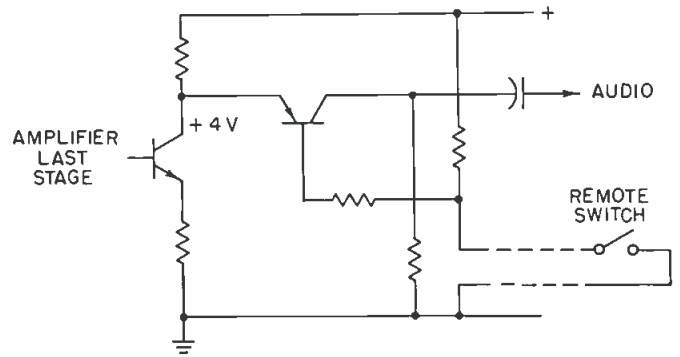


Figure 2. A transistor switch.

cause no d.c. current is required and the device acts as a voltage sensitive resistor. The *on* resistance is an important parameter, especially when designing circuits with low cost in mind. F.e.t.'s with low *on* resistances below 150 ohms are significantly more expensive than those with higher *on* resistances, and the cost increases drastically below 100 ohms.

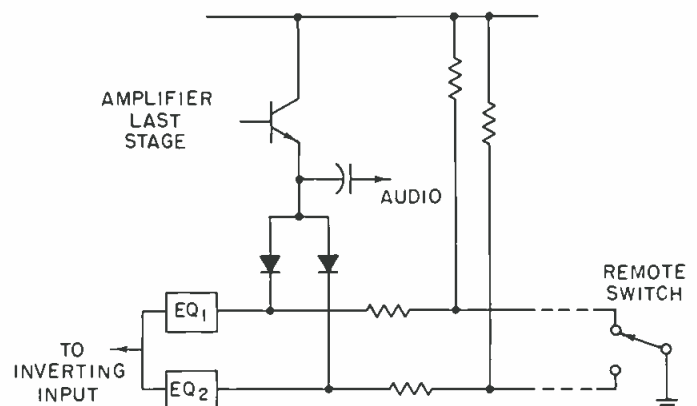
P-channel or N-channel can be used, depending upon circuit configuration and relative cost. The three circuits shown are frequently used in magnetic recorder circuits giving transient free operation and very low power requirements.

There are limitations in any electronic switch regarding signal amplitude. Obviously, given enough voltage swing the source in 4(A) will be driven close to the *off* bias point and cause the *off* f.e.t. to turn on momentarily, which is undesirable. A good "rule of thumb" is to keep signals in such circuits to below IVP-P. FIGURE 4(B) and 4(C) show various configurations of signal switching using P-channel and N-channel devices.

Another consideration is sometimes important when using f.e.t. switches in recorder circuits. A good example is in a high frequency bias switch, where the waveform during the controlled transition between *off* and *on* may produce side effects which show up as an audible transient on tape.

The diagrams of FIGURE 5(A) and (B) show how the unsymmetrical waveform during the *partially on* period can be eliminated or reduced. In FIGURE 5(A), the filter restores the waveform. In FIGURE 5(B), approximately 50 per cent of the input signal is fed to the gate circuit to reduce non-symmetry during the *partially on* period. In both cases the switches have controlled turn on/off characteristics utilizing the CR time constant in the gate circuit.

Figure 3. Diodes for equalizer switching.



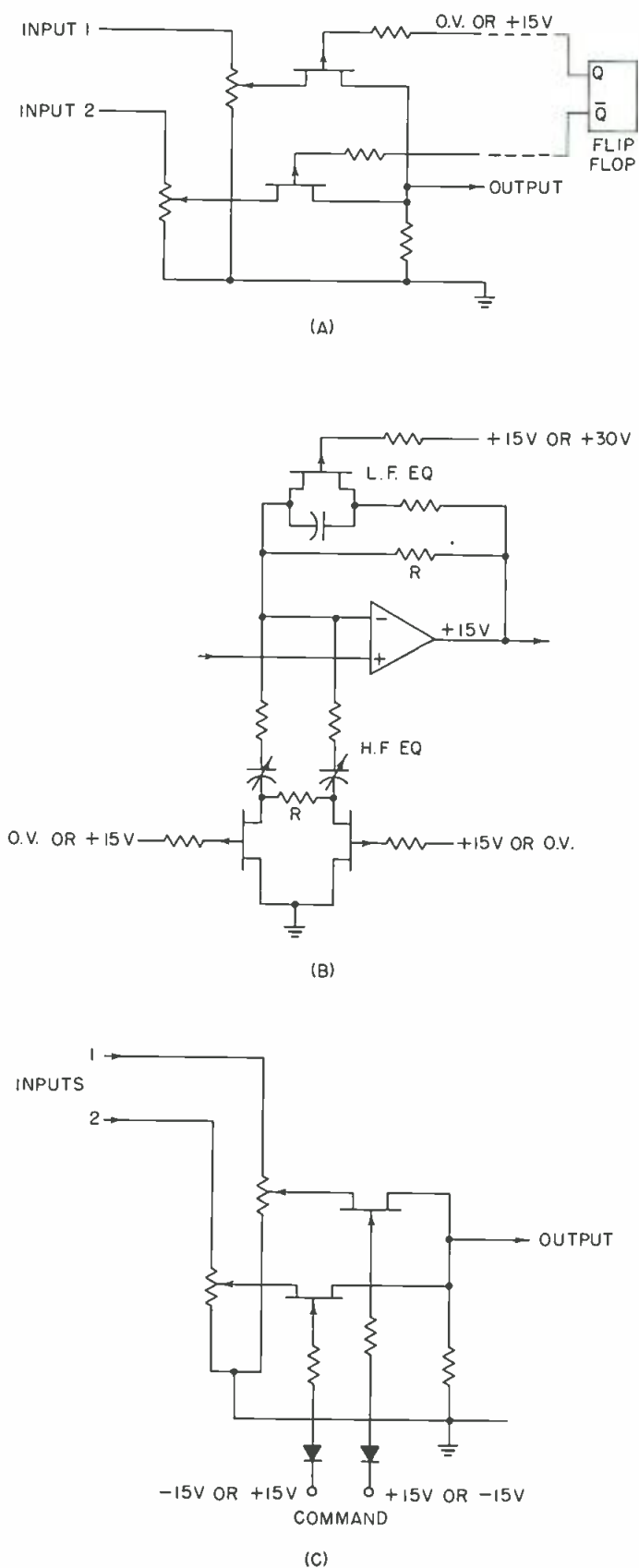


Figure 4. At (A) an all ground configuration, (P-channel); (B) is mid point and grounded switching of record equalizers; and (C) shows mid point switching using N-channel.

### SUMMARY

In the audio signal circuit application, f.e.t. switching is commonly used where transient free switching is required. Circuit impedance and signal level are important design parameters. Depending upon requirements, each type of switching should be considered on its merits: Diode, regular transistor, and f.e.t., in ascending order of cost.

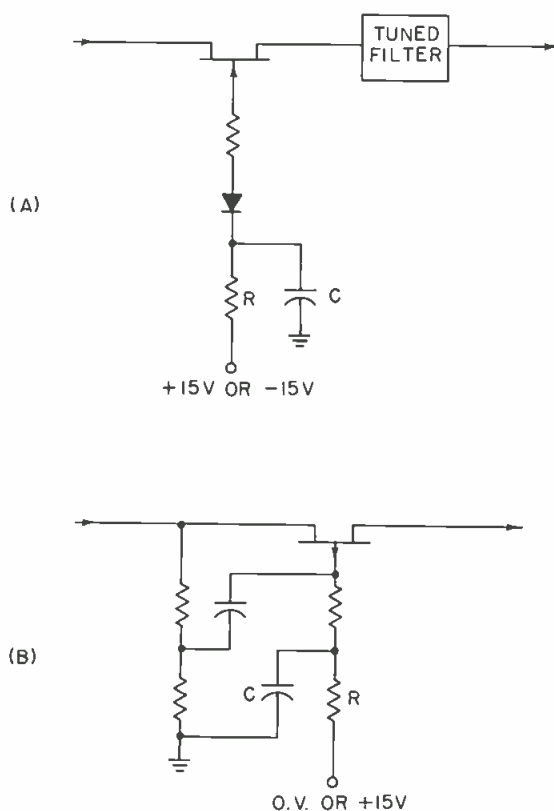


Figure 5. Bias switching circuits. At (A) the filter restores the waveform. At (B) approximately 50 per cent of the input signal is fed to the gate circuit.

When using f.e.t.'s, consider carefully the variations in cut-off voltage and on resistance, and avoid reverse bias on the gate circuit. Avoid situations where the source or drain have no external d.c. return path. Use a high value resistor in these cases to avoid accumulation of electric charge which could interfere with reliable switching as in R of FIGURE 4(B).

High-level signals can be better handled by reed relays, solid-state relays, or photon-coupled devices. Low-impedance circuits are best handled by reed switch or solid state relay. In high frequency circuits, self capacitance must be considered when designing circuit impedances. Also consider temperature and aging effects in the case of some photon-coupled devices. ■

### REFERENCES

1. H. W. Ott, *Biasing the Junction F.E.T.*, EEE, January, 1970.
2. *Motorola Application Note AN-511.*
3. Mark Shipley, Sr., *Analog Switching Circuits Use Field-Effect Devices*, Electronics, December 28, 1964.
4. *Siliconix Application Note File 103*, November, 1963.
5. Carl D. Todd, *Silicon Epitaxial F.E.T.'s*, Electronic Components, April, 1966.



# Better Tape Head Azimuth Adjustment

*The author details, with full scientific and mathematical justification, the best method to achieve accurate azimuth adjustment on multi-track tape recorders.*

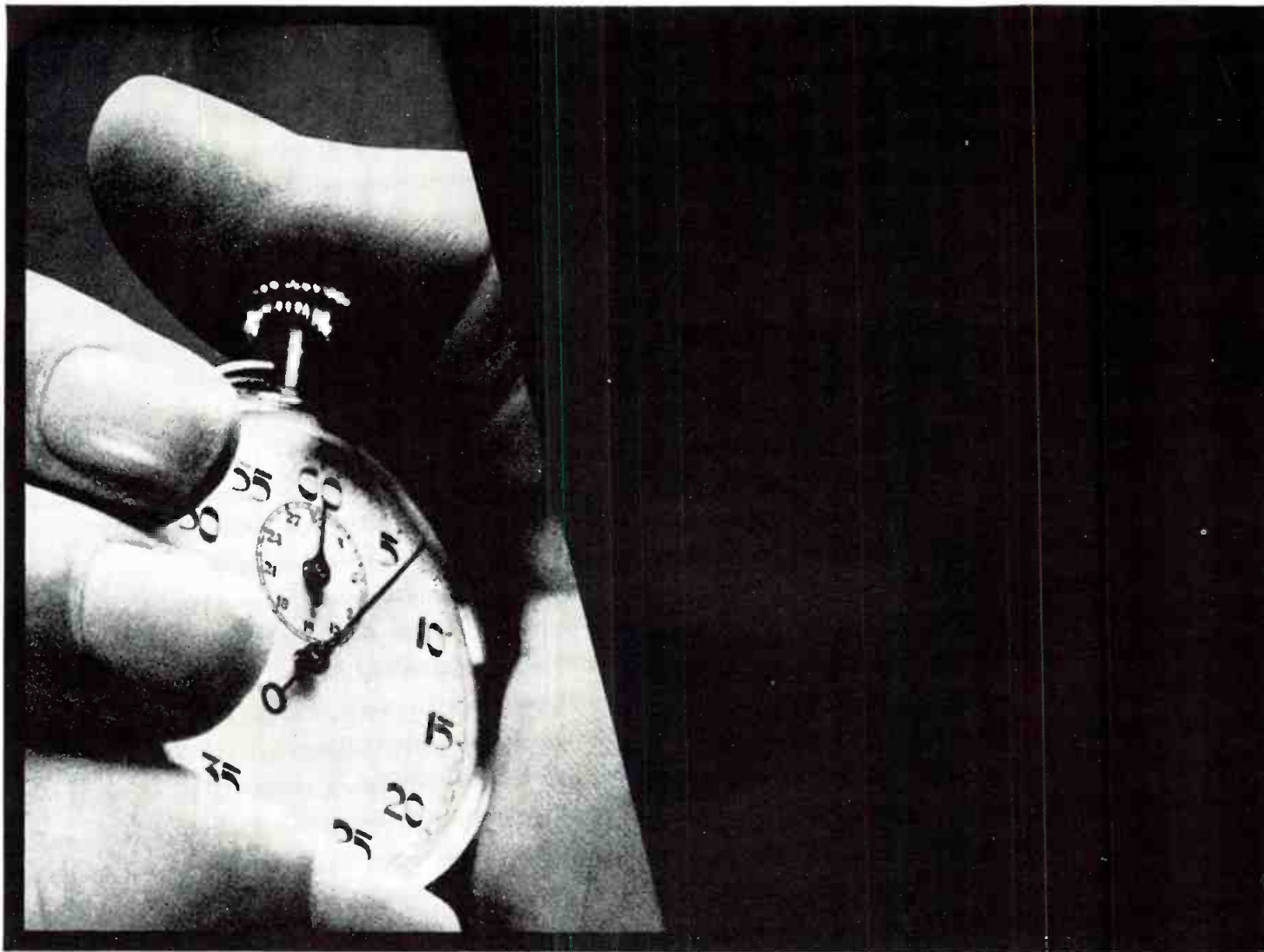


**C**ONSIDER a four-track recorder with separate recording and playback heads. It is common practice to adjust the playback head azimuth for maximum output signal while playing a standard tape (e.g. Ampex No. 01-31321-04 for  $7\frac{1}{2}$  in/sec. operation) having short wavelengths recorded on the tape. Then, the azimuth of the recording head is, in turn, adjusted for maximum output signal while recording and simultaneously playing back a short-wavelength signal (e.g. 15 kHz). It does not seem commonly recognized that simple procedures exist which allow for higher accuracy

(and other benefits described later) in setting the head azimuths than is possible with the usual unadorned amplitude method reviewed above. These methods are only appropriate to those recording arrangements which allow two or more tracks of the tape to be simultaneously recorded; with the advent of quarter-track stereo recording and multiple-track digital recording, many such arrangements now exist.

In essence, the improved methods consist of adjusting azimuth not primarily for maximum output (although this is a corollary benefit) but instead to achieve maximum equality between some aspect of the two output signals from simultaneously recorded tracks. Convenient comparison can be made on an amplitude basis by forming and observing the electrical difference between the two signals  $\Delta e \equiv e_L - e_R$ , for example, or by observing the electrical

*J. Ross Macdonald is vice president of Texas Instruments, Inc.*



## Solve 7 problems..in seconds.



Something totally new to add to your bag of tricks! We call them *Plug-in Problem Solvers*. They're designed to provide seven common modifications in microphone and sound system setups without soldering or rewiring—just plug them in! The Model A15A Microphone Attenuator that prevents input overload; Model A15PR balanced line Phase Reverser; and A15HP High Pass and A15LP Low Pass Filters to modify low and high frequency response; A15PR Presence Adapter to add brilliance; A15RS Response Shaper to filter sibilance and flatten response; and the A15LA Line Adapter that converts low impedance microphone inputs to line level inputs. Carry them on every job. It's a lot easier than carrying a studio console with you!

Shure Brothers Inc.,  
222 Hartrey Ave., Evanston, Ill. 60204.

Circle 16 on Reader Service Card





phase difference between the two outputs  $\phi \equiv \arg e_L - \arg e_R$ . Because of noise, stability, convenience, and simplicity considerations we believe the phase method is superior. Although we shall hereafter only discuss the phase method, both methods can be far more sensitive than the conventional approach.

We shall describe the phase method initially for the playback head and compare its sensitivity with that of the conventional single-signal amplitude method. The Ampex test tape 01-31321-04 has two forward-play recorded tracks. They are recorded in such a way that insofar as possible points on the two tracks lying on a line perpendicular to the tape edge define regions of the same recorded flux. This is exactly the case, of course, for a full-track test tape. Thus, for ideal playback head alignment,  $\phi$  will be zero for all recorded wavelengths. Therefore, if the tape is played and the two output signals are connected to the X and Y inputs of a balanced oscilloscope, the resulting Lissajous figure can be used to indicate  $\phi$ , and thus any misalignment of the playback head. For such a measurement of  $\phi$ , it is assumed that the output signals are either taken directly from the head or through phase-balanced preamplifiers. Let  $\theta$  be the playback head azimuth angle. When it is zero,  $\phi$  will be zero (thus an uncalibrated null-type measurement may be used) and the head gap edges should ideally be perpendicular to the tape edges. It is important to note, however, that the maximum azimuth error of the tape itself is only claimed<sup>1</sup> to be  $\pm 2'$  of perpendicularity to the tape edge. Since the phase method will allow, as we shall see,  $|\theta|$  to be adjusted to a considerably smaller value than  $|2|'$ , final more precise adjustment will be with respect to the signals on the two tracks of the tape rather than the edge.

### SENSITIVITY OF THE USUAL METHOD

It is readily shown by averaging that the output signal,  $e$ , from a given track is of the form, when  $\theta^2 \ll 2$  radian<sup>2</sup>,

$$e = e_0[\sin(\xi(\theta))/\xi(\theta)] \cos \theta, \quad (1)$$

where  $\xi(\theta) \equiv k \sin \theta$  and  $k \equiv \pi w/\lambda$ . Here  $w$  is the track width and  $\lambda$  the recorded wavelength on the tape, given by the ratio of tape speed,  $v$ , to recording frequency  $\nu$ .

From (1), we find the sensitivity factor,  $S_e \equiv d(e/e_0)/d\theta$ , of the head azimuth adjustment to be

$$S_e = -\sin \theta [\xi^{-1} \sin \xi + K^2 \cos^2 \theta ((\sin \xi - \xi \cos \xi)/\xi^3)]. \quad (2)$$

Now at  $v = 7.5$  in./sec. and  $\nu = 15$  KHz,  $\lambda = 0.5$  mil. Further,  $w = 43$  mil for conventional quarter-track recording. Under these conditions,  $k \approx 270$  and when  $\xi \ll 1$ ,  $\theta$  will be much smaller. Thus, to good approximation we have for  $\xi^2 \ll 2$  radian<sup>2</sup>,

$$S_e \approx -[1 + (K^2/3)]\theta \approx -K\xi/3, \quad (3)$$

which becomes about  $-24, 200\theta = -90\xi$  for  $k = 270$ . Here,  $\theta$  and  $\xi$  are expressed in radians. Although  $S_e$  is thus zero when  $\theta = 0$ , the point where it really needs to be a maximum, it does increase in magnitude very rapidly with increasing  $|\theta|$ ; and for  $\theta = 1'$  it is about  $-7.1$ .

Since  $S_e(\theta = 0) = 0$ , it is virtually impossible to adjust head azimuth to exactly  $\theta = 0$  by the above method, even though one can usually readily adjust  $e$  to within a dB or so of maximum (i.e.  $|\theta| \approx 10'$ ). Yet, as we shall see, very substantial changes in the phase relations of simultaneously recorded stereo or mono signals may occur for even this small (or smaller)  $|\theta|$ .

### SENSITIVITY OF THE PHASE METHOD

Let us associate positive  $\theta$  with positive  $\phi$ . Further, denote the separation between the two head gap centers as  $a$  (equal to 0.136 mils for conventional quarter-track recording) and let  $s$  be the smallest horizontal separation of points of equal phase on the two tracks. Then  $s = a \sin \theta$ . For  $\phi$  in radians,  $\phi/s = 2\pi/\lambda$ . Thus (again for  $\theta^2 \ll 2$ ),

$$\begin{aligned} \phi &= (2\pi a/\lambda) \sin \theta = (2a/w) k \sin \theta \\ &= (2a/w) \xi(\theta) \approx (2a/w) k\theta. \end{aligned} \quad (4)$$

For representative values of  $a$  and  $w$ ,  $(2a/w) \approx 6.33$ . With  $k = 270$ ,  $\phi \approx 1700\theta$ , showing how much more sensitive  $\phi$  is than  $\theta$ .

Now let  $S_\phi \equiv d\phi/d\theta$  be the sensitivity factor for the  $\phi$  measurement. Then for  $\theta^2 \ll 2$ ,

$$S_\phi = (2a/w) K \cos \theta \approx (2a/w) K, \quad (5)$$

virtually constant and having its maximum value ( $\approx 1700$  for the above numbers) at  $\theta = 0$ . Since it is entirely practical to reduce  $|\phi|$  to 1 degree or less under favorable conditions of tape transport by observing a Lissajous pattern on an oscilloscope, we find that for the above numbers  $|\theta| \approx 2''$  when  $|\phi| = 1$  degree.

### COMPARISON OF SENSITIVITY FACTORS

Let us define  $\theta_0$  as the value of  $\theta$  for which  $|S_e| = |S_\phi|$ . If  $|\theta_0|$  were small enough, Eqs. (3) and (5) could be used to yield  $\theta_0 \approx 6a\lambda/\pi w^2 = 6a/kw$ . Unfortunately, the above values of  $a$ ,  $k$ , and  $w$  yield  $\theta_0 \approx 4'$ , much too large for (3) to be applicable. When (2) and (5) are used to define  $\theta_0$ , one finds from an accurate solution, surprisingly, that the only root is  $\theta_0$  nearly equal to  $90^\circ$ . For  $2a/w = 6.33$  and  $k \approx 270$ , the root is virtually indistinguishable from  $90^\circ$ ; even for  $k = 10$ , corresponding to only  $\nu \approx 556$  Hz at 7.5 in./sec. and  $w = 43$  mil,  $\theta_0 \approx 89.95^\circ$ . Thus, there is no region of physical interest where  $|S_e| = |S_\phi|$ ; in practice we always have  $|S_\phi| \gg |S_e|$ , again showing the great superiority of the phase method to the usual single amplitude method. For  $|\theta| = 10.45'$ , where  $e/e_0$  is ideally only one dB less than unity, we find, again using the above numbers,  $S_\phi \approx 1700$ ,  $|S_e| \approx 69$ , and  $|S_\phi/S_e| \approx 25$ . For this value of  $\theta$ ,  $\phi \approx 296'$ !

The above results show that if, as is usually the case,  $\theta$  can only be adjusted by the amplitude method alone such that  $e/e_0$  is within about  $\pm 1$  dB of unity on the average, it will only be pure chance if the final  $\theta$  should be so small that  $\phi$  be negligible at 7.5 in./sec and 15 kHz. Under these conditions, a relatively small change in  $\theta$  can result in up to several entire cycles change in  $\phi$ . Thus, even though  $e/e_0$  may be adjusted by the amplitude method adequately close to unity, there will almost always be a large phase shift at high frequencies remaining between

<sup>1</sup> R. K. Morrison, *Reproducer Test Tapes, Their Evolution and Manufacture*, presented at 31st Convention, Audio Engineering Society, 10-14 October, 1966, preprint No. 445.

the signals from the two tracks when only this method is used.

### DISCUSSION AND CONCLUSIONS

Once the playback head azimuth has been adjusted by the phase method until  $|\theta| < 2''$  or better, the record head azimuth may be brought into proper alignment by the same method. It is sufficient to record on two tracks and simultaneously play back from them a high-frequency signal such as 15 kHz. Phase monitoring of the two tape outputs with the oscilloscope will then allow the record head gaps to be brought into parallelism with those of the playback head to within about  $\pm 2''$  or better on the average. Again it is assumed that any recording preamplifiers used are phase balanced over the frequency range of interest.

The final result of the above procedures will be, besides the best possible alignment of the heads, zero electrical phase shift between the signals from the two tracks, a frequency desirable condition, as we shall see. Although the phase adjustment method using measurement of  $\phi$  can be carried out entirely without use of the amplitude method, the great sensitivity of the former method suggests that a sequential use of the two methods may be valuable. The amplitude method would first be used to achieve a  $|\theta| < 10' - 20'$ ; then the  $\phi$  method would be applied to reduce  $\theta$  to perhaps  $\pm 2''$  or less.

If an oscilloscope rather than an a.c. voltmeter were available, the phase method could easily be used alone as follows. First,  $|\theta|$  could readily be adjusted to  $< 5' - 10'$  using a frequency (at 7.5 in/sec.) of say 100 Hz. At this low frequency, there would be no ambiguity in picking the cycle of  $\phi$  associated with  $\phi = \theta - 0$ . Then,  $|\theta|$  would be reduced to  $< 2''$  by a final adjustment at say 15 kHz. Finally, the same procedure could be carried out for the record head adjustment. The value of  $2''$  is based on being able to reduce  $\phi$  to  $\pm 1^\circ$ . Note that if the horizontal and vertical gains of the oscilloscope channels were then increased considerably,  $\phi$  could be made appreciably smaller provided sufficiently small increments in  $\theta$  were mechanically possible and noise and tape motion irregularities did not interfere.

It is clear that the phase method requires two tracks and will not work for single-track recording. In multiple track recording, greatest sensitivity will be achieved when those two tracks are employed which are farthest away from one another.

Although the ear is quite insensitive to phase at high frequencies and thus whether  $\phi = 100^\circ$  or  $0^\circ$  at say 10 kHz will not be audible, there are still advantages to maintaining essentially zero phase shift between two channels over the entire frequency range. In a typical listening room, the instantaneous pressure pattern of a stereo program will be different, probably audibly so, (because of different phase cancellations and partial cancellations) when there is appreciable  $\phi$  within the hearing range than when  $\phi \approx 0$ . Note that  $|\theta| \approx 10'$  corresponds at 7.5 in/sec to a  $|\phi|$  of about  $60^\circ$  at 3 kHz. At 3.75 in/sec.,  $|\phi|$  would of course be  $120^\circ$  at 3 kHz and larger at higher frequencies. Finally, it may sometimes be desirable to alter electrically the stereo spread of a tape recording in order, for example, to improve the apparent separation of the resulting sound pattern. Such alteration usually involves partial or complete cancellation of those medium and high frequency signal components which have the same or nearly equal phases on the two channels. Clearly for such cancellation to work properly it is desirable to preserve the original phase relations between the stereo signals recorded on the two tape recorder tracks. Again, such preservation will be accomplished when  $\phi \approx 0$  for both playback and recording. ■

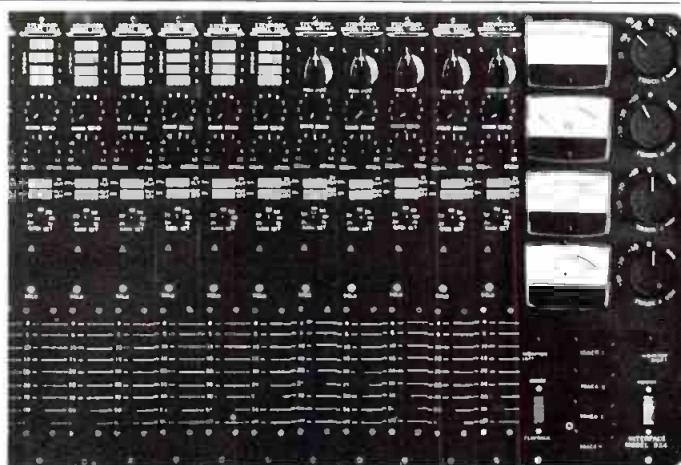
# the duplicators' duplicator

Infonics' breakthrough System 200 gives you professional performance at economy prices. Ferrite heads for 30 to 15,000 Hz. frequency response. Superb sound. New high speed. Automatic rewind and cueing. Reel and cassette master and slave modules. More great features than any ad can describe. Our free color brochure has the story.



**infonics** 213 / 828-6471  
1723 Cloverfield Boulevard • Santa Monica, Ca. 90404

Circle 26 on Reader Service Card



## SERIES 100 MIXERS

Series 100 mixers are available in the Model 16X4 prewired frame shown above which accommodates up to 16 modules, and in the popular portable Model 8X4, which takes up to eight modules.

The standard model 8X4-100-2C is a professional quality portable mixer measuring 15x18x5" and weighing 18 lbs., has eight plug-in modules switchable to 200 ohm XLR-type mike inputs or line inputs, each providing push-button track selection, echo send, equalizing, solo button, slider attenuators; two with compressors. Integrated circuits throughout, four track outputs, max. 20 dbm to 600 ohms with masters, VU meters, XLR output connectors, two monitor mix-downs; other models with optional internal reverb. Price \$2012.00 FOB Houston.

Series 100 mixers may be had with any combination of seven modules:

Model 100A standard equalizing	Model 100C compressor equalizing
Model 100AP panpot equalizing	Model 100CP compressor/panpot
Model 100AQ quad equalizing	Model 100CQ compressor/quad.
Model 100B multifrequency equalizing	

Other options include built-in reverb and the C-1 Cover for the 8X4. Call or write for further details, prices, and address of nearest dealer. Dealer inquiries invited.

**INTERFACE ELECTRONICS**  
3810 WESTHEIMER • HOUSTON, TEXAS 77027 • (713) 626-1190

Circle 20 on Reader Service Card



# Bias Adjustment with a Harmonic Distortion Analyzer

*Many studios check the total harmonic distortion of their machines after they set bias. Some set bias for lowest distortion. This article suggests a method of using a distortion analyzer effectively to monitor distortion and noise.*

**I**N A SENSE, the job that requires the greatest skill of the studio maintenance technician is that of aligning the multitrack tape-recorder electronics. Though it is true that day-to-day maintenance may require only minor adjustment of record and playback levels, a thorough "tuning" may require as much as ten adjustments per track. Of these, possibly the most critical as far as noise and distortion are concerned, are those that affect the bias wave form. There is usually one control that sets the bias amplitude, another that tunes for the purest sine wave; and there may be a control called Noise Balance or Bias Symmetry which nulls out any d.c. that may be superimposed on the bias or any permanent magnetism on the record head. There are many theories as to how these controls should be set. Scully recommends that the bias amplitude should be adjusted for maximum record response at 1 kHz. There is another popular theory that the best results are obtained when the tape is slightly "over-biased," meaning that the bias amplitude is increased until the response at 1 kHz falls  $\frac{1}{4}$  to  $\frac{1}{2}$  dB from its maximum. The noise balance control is adjusted by ear for the least tape noise and is strictly hit or miss. I remember listening to biased tape noise with the board and monitor fully open trying to decide whether it is preferable to have less hiss or less pops on the tape as I cranked the noise balance pot around.

There is, however, a relatively simple and very effective way to make these adjustments. The technique is to insert a harmonic distortion meter between the output of the

tape channel and the board. The distortion meter is not really used to make absolute measurements; it is merely there to allow you to listen to the tape-recorder under actual operating conditions and to hear exactly what is going on and what happens to the noise and distortion as you make adjustments.

Basically, a harmonic distortion meter is simply a very narrow band rejection filter, sometimes called a notch filter. The Notch Frequency is tunable over the audio band and the output of the filter is metered and is also available for an oscilloscope display or just for listening. In operation, a test signal is fed to the device under test (amplifier, tape recorder, etc. . . .), and the output of the device is fed to the harmonic distortion meter. The meter is tuned to the test frequency which is then filtered out. What is left, after filtering, is any residual hum, wideband noise, or any harmonics of the test frequency that have been generated in the equipment being tested. The level of the unfiltered test frequency (at the input to the distortion meter) and the noise and spurious harmonics after filtering is compared on a built-in voltmeter which has been calibrated to read in per cent, and thus the percentage of distortion can be read.

In the studio, we are not so interested in the exact percentage of distortion. Because the voltmeter circuit measures noise and hum as well as spurious harmonics, the meter indication would not be very accurate anyway. But, if we listen to the output of the filter and watch only the relative fluctuations of the meter, we can hear things about

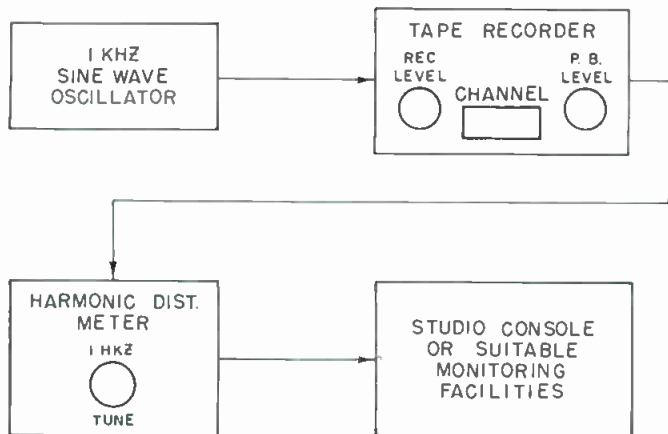


Figure 1. This simple straight-line arrangement can be used, as the author suggests, to measure distortion and noise from the tape.

our tape recorder that cannot be heard in any other way.

The test setup is as follows: After the playback alignment is completed, some fresh tape is threaded up and all tracks are thrown into record. A test frequency sine wave of about 1 kHz is fed to the track under test and the record level is roughly set to zero. The harmonic distortion meter is inserted (through the patch bay) between the tape channel output and a bus that is set aside for monitoring purposes (see FIGURE 1). The meter is tuned to reject the 1 kHz. What is now being monitored is the output of a tape recorder that is recording a 1 kHz tone at zero level, but everything except the 1 kHz is heard! This is what I meant by actual operation conditions.

It should be noted that there is amplification in the harmonic distortion meter, and, of course, additional amplification in the board. This means that the actual level being monitored is an ear-piercing 60 to 80 dB above normal levels. The quality of the tape noise, and the nature and level of harmonic distortion in the machine can be clearly heard. It is putting a stethoscope to the heart of the machine.

What I have found over the years that I have used this procedure with Scully tape recorders is interesting—and in some ways surprising. I have found a considerable and dramatic reduction in popping and frying sounds as well as hiss, by “overbiasing” by one half dB. Though this does cause some loss of high-frequency response, in most cases it is not serious enough to be of concern. The exact point of overbias can be found in seconds, simply by listening to the output of the distortion meter while watching the playback meter of the tape channel. As the response falls between ¼ and ½ dB past peak, there will be a noticeable null in noise. By contrast, the noise balance control has its most dramatic effect on the amount of distortion. Again, while listening to the output of the distortion meter, it will be noticed that the distorted products change from a harsh sounding complex waveform to an almost pure sine wave. Some interaction between these controls exists and it is wise to “touch-up” the bias one more time after the noise balance is set. The rest of the alignment procedure is done in the normal way.

The meter I have used is a simple, low cost, vacuum tube unit sold by Heathkit. This meter is ideal for the job as it is light and portable and within the financial range of literally everyone. To simplify and improve those monthly tune-ups, it can't be beat. ■

# Make YOUR COMMUNICATIONS “Whisper-Clean”

Economical MILLER-STEPHENSON aerosols take the headaches (and a lot of expense) out of what used to be a nuisance.



**MS-180“FREON”™TF DEGREASER**—No need to disassemble components. Spray MS-180 onto relays, circuit boards, motor parts. Eliminate grease, prevent recontamination. Non-conductive, non-flammable. Reduces maintenance costs. MS-180 available in quarts, gallons, and 5 gallons. \* DuPont Trademark

**MS-200 MAGNETIC TAPE HEAD CLEANER**—Spray away oxide dust before it ruins heads and tapes. MS-200 whisks it away. Manufacturers recommend it; communications experts prescribe it; EDP operators wouldn't be without it. U.S. & FOREIGN PATS.

**MS-230“CONTACT RE-NU”™**—Renew your contacts. “Contact Re-Nu” does it. Knock out dirt, carbon, and other contaminants. Will not harm insulation; leaves no residue. Switch to MS-230 for your switches—and other points.

For FREE 16-oz. aerosol sample of any one of the above, write (on your company letterhead, please), or use coupon for free data.

**m/s miller-stephenson chemical co.,inc.**  
Danbury, Connecticut 06810 (203) 743-4447

Please send me data and prices on: **SE**  
 MS-180 DEGREASER  MS-200 HEAD CLEANER  
 MS-230 “CONTACT RE-NU”

INTENDED USE \_\_\_\_\_

NAME \_\_\_\_\_ TITLE \_\_\_\_\_

DEPT. \_\_\_\_\_

COMPANY \_\_\_\_\_

ADDRESS \_\_\_\_\_

CITY \_\_\_\_\_ STATE \_\_\_\_\_ ZIP \_\_\_\_\_

CHICAGO • LOS ANGELES • TORONTO  DIST. IN MILAN  
HAMBURG • PARIS • LONDON • BEIRUT



CLAUDE KARZMER

# A Modern Tape Recorder Design

*Not too many people sit down and design a multi-track tape machine from the ground up. But this author did, and built it. He liked so much what it is doing that he has gone into the manufacture of it.*



**T**O A LARGE EXTENT most of the advances in modern tape recorder design have been in the electronics area. A good part of this applied technology can be seen incorporated in the half dozen or so sixteen-track recorders currently on the market. While some of this sophistication is valuable and adds to the usefulness of the recorder as a tool, it is at the same time evident that some of it is applied more to ease manufacturing problems and costs than to improve long term performance and repairability. Due to the constant revolution in electronic technology there has been a tendency to answer all design problems by the application of more and more sophisticated techniques. This overzealous use of state-of-the-art technology has resulted in overall reduced reliability, increased down time, and difficult maintenance requirements that in most cases cannot be met by studio personnel or facilities. In addition, due to this involvement with electronics, one can see relatively little improvement in the basic mechanics of the recorder during the past ten or fifteen years.

What is desired, then, is a recorder that embodies all of the modern outboard devices currently in use and

---

*Claude Karczmer is president of Xedit Company.*

the appropriate guide. The platform is also spring-loaded and damped to absorb fast changes in tape motion in the high speed wind modes. When the safety switch is opened, power is removed from the solenoid and the platform is released to a neutral position that facilitates tape threading. In addition to automatic guide changing, this assembly absorbs and isolates tape buckles caused by height feed variations of the tape. This is accomplished by the use of a guide through which the tape can pivot, followed by a center-pivoted roller which distributes an even tension across the full width of the tape. Without this system, if a height variation or other inconsistency occurs, there is a loss of perpendicularity of the tape to the deck. As the tape passes over conventional rigid guides at an angle, the tape has uneven tension placed on it and a buckle is formed which may cause drop outs and improper tracking. The take up guide system consists of a pair of guides; one stationary and one swinging tension arm. Both are operated by one alternate action mechanism with two stable positions, one and two-inch. This alternate action mechanism is similar to that used in a ballpoint pen and can easily be operated manually. It was felt to be an over-complication to automate this guide as is the feed side guide system; however it would be a simple matter to do so.

### NEW SPINDLE DESIGN

If you have ever fought with a full reel of two inch tape in trying to load it onto a recorder in a dimly lit control room, you'll appreciate the awkwardness of orienting the index slot on the tape reel with the pin or bar on the spindle. This misalignment can be as much as 110 degrees if you pick the wrong direction. The improved spindle consists of four spring-loaded compressible pawls, only

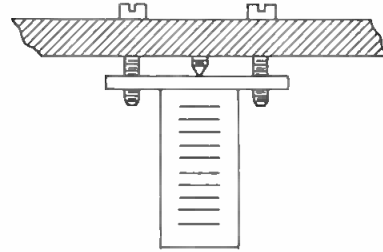
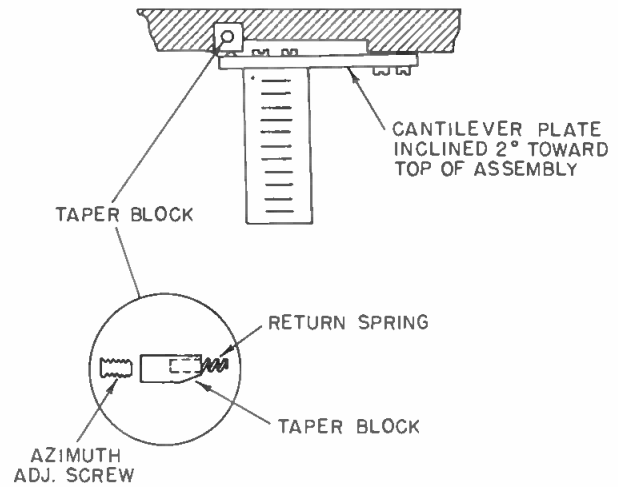


Figure 1. Conventional azimuth systems. How tight is tight?

Figure 2. The system used by the author to permit azimuth adjustment of the head.



If you can afford one of the others,  
you can afford two of ours  
"Son of 36 Grand"

Son of 36 Grand is a complete recording/remixing console expandable to 26 in, 16/24 out. Full quad capability and flexible, pushbutton monitoring of any mode. FET logic record/play mode switching. Built-in patch bay. Prices start at less than \$18,000 for 16 in, 16/24 out. Write or call for the full story on Son of 36 Grand.



**auditronics, inc.**

P. O. Box 12637 / Memphis, Tenn. 38112 / 901/276-6338

Circle 38 on Reader Service Card

www.americanradiohistory.com

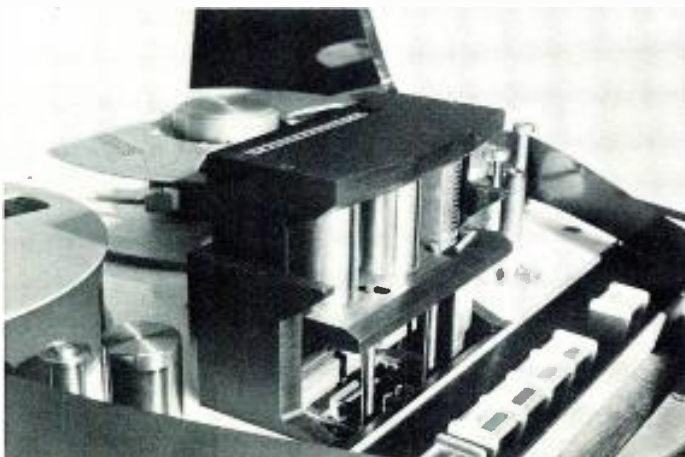




Figure 3. The completed sixteen-track machine.

further, is designed to provide sophisticated performance utilizing reliable proven components and techniques in its basic design and construction. In addition, it would be desirable to have a recorder whose mechanism has been designed for ease of operation and maintenance that is engineered to cope with the more stringent physical tolerances required by multi-track wide-tape recorders.

Figure 4. Rigid guides control the positioning of the head assembly.



The purpose of this article is to point out some of the elements in the recorder that are overdue for improvement and how these have been handled in a new recorder conceived, engineered and built to deal realistically with the stated problems and the general dissatisfaction with current design. There isn't the space here to elaborate on every aspect of this new machine, but an attempt will be made to describe some of the more interesting engineering features and why they were implemented.

### HEAD ASSEMBLY

The promise of head assembly interchangeability has generally held widely different meanings and ramifications from one machine to another. At best the process has usually posed one of the more serious threats to a recorder's stability and well being. What we've tried to do here is not only to provide this necessary capability, but to accomplish it in what is a safe and routine mode for the machine and head module. The head assembly is a totally enclosed plug-in module with built-in connectors. The module can be inserted or removed without tools by the use of a manually operated lever on the back of the assembly. When the head module is removed from the machine, it is a rugged package with no exposed wiring and the magnetic heads well protected. The head module also contains playback equalization and level trimmers located on the top of the module. Since the trimmers are part of the removable head module, they re-trim the amplifiers for the head in use, eliminating the necessity of a complete realignment each time the head module is changed. In addition, the head module programs the appropriate tension and mode response for the size tape being used. The tape guides are formed by a hardened channel, structurally part of the head module. Since this channel runs the length of the module, the forces acting on the tape edges tend to be distributed over a broader area than is possible with conventional guide pins or posts.

### AZIMUTH ADJUSTMENT

A new design for adjusting azimuth was judged necessary since all of the currently employed methods have serious enough drawbacks to make them a source of instability and a recurrent maintenance problem. The improved azimuth adjustment design consists of a cantilever plate on which the magnetic head is mounted. This cantilever is inclined two degrees toward the top of the module. The azimuth adjustment screw engages a spring loaded taper block; as the adjustment screw is tightened, the taper block forces the cantilever away from the top of the module and in turn varies the azimuth of the magnetic head mounted on it. Since the head mounting is never loosened during the azimuth alignment, this system does not endanger the stability or proper zenith setting of the head. The degree of taper of the taper block is limited so that the cantilever plate cannot be overstressed. A convenient byproduct of this design is that the azimuth adjustment set screw is protected, yet always easily accessible since it is recessed in the front edge of the head module. This eliminates the need to remove a dress cover in order to adjust the azimuth. Very often dress covers are left off, exposing the heads, wiring, and adjustments to external hazards.

### GUIDE SYSTEM

Most guide systems currently in use are relatively passive and utilize various ambiguous methods of conversion from one tape size to another. In the subject machine, the feed side guide actually consists of a one and two-inch guide system mounted on a rotary platform. The platform can turn to the right or left, as determined by the size of the head module inserted in the machine, and thus engage

one of which is needed to engage the slot on the reel. Since these pawls are completely compressible, it is not necessary to orient the reel, and furthermore, due to a worst case, misalignment of less than 30 degrees, resulting from the combination of the four pawls spaced 90 degrees apart, to the three index slots on the reel spaced 120 degrees apart, the odds of initially engaging are much better. However, even if a pawl does not engage when loading, the four compressed pawls exert enough holding force on the reel for the play mode and will automatically engage the first time the machine goes into a wind mode. In addition, the design includes a locking capability; the lock is activated by depressing a plunger on top of the spindle or pulling it to unlock, both of which can be accomplished with one hand.

### CONSTANT TENSIONING SYSTEM

The variation in tension caused by the continually changing diameter of tape on the reels is a problem that has not been dealt with effectively in most machine designs. Where an attempt has been made to deal with it, it has generally been by the utilization of complex circuitry or unreliable high gain servo systems. Since it was our aim to exclude delicate or unstable circuitry from basic machine functions as much as possible, the system chosen is simple, effective, and has proven itself to be reliable in many data recorders. The sensing elements for this system are two arms that engage and track the tape and automatically retract for loading. These arms utilize teflon pads and exert very little force on the tape backing; in fact they represent much less wear to the tape than ordinary fixed guides. The varying diameter of tape is transmitted by the arms to a sensing potentiometer that in turn controls the voltage to its respective reel motor. What we have is a stable open loop servo utilizing very simple proven circuitry. This system will maintain a static or dynamic equilibrium from one end of the reel to the other. In addition to providing this effective tension control, these arms, by the use of limit switches, will prevent the tape from running out at high speed if the machine is left unattended while in a high speed wind mode. The feed side also triggers a five minute end of tape warning in the record mode by flashing the record button.

### MOTION AND VELOCITY SENSE

One of the really obvious improvements embodied in this machine is the speed with which it handles two-inch tape. Unlike other machines, *velocity* as well as simple direction-of-motion information is available to the logic circuitry. As an example of the speed and smoothness of operation that this makes possible is that when play is selected while the machine is in high speed forward mode, the tape is quickly slowed to the proper transition velocity. When this velocity is equal to the play speed, the play mode is enacted. This occurs without hesitation, delay, or cycling through the stop mode. This transition from high wind speed to stable play takes a maximum of two seconds.

### LOGIC CONTROL

Diode and plug-in sealed relay. Relays were chosen because they are far more forgiving than digital modules or transistors. All controls are fully interlocked, with illuminated segmented display to indicate mode of operation and logic conditions during transitional modes, thus aiding in the location of a problem should one occur. The logic circuit does represent a field maintenance problem, but can easily be maintained by the user.

### CAPSTAN PRESSURE ASSEMBLY

This mechanism continues to be the cause of much of

the slippage and tracking problems in today's machines, and yet has seen little improvement in design. The improved design begins with the use of a large rotary solenoid. Properly applied, rotary solenoids which have many advantages over linear types, are used throughout this machine. This solenoid is coupled with a high mechanical advantage to the pressure roller arm and is damped for smooth operation. The linkage throw is adjustable, utilizing a method that makes it impossible for it to work loose and cause slippage problems. There is an adjustment located on top of the deck that is an integral part of the pressure arm, used to adjust the tension of the pressure roller to the capstan. This is in contrast to the conventional location under the deck that makes it impossible or very awkward to make the tension adjustment in a running mode as it should be. There is also an engraved scale on top of the pressure arm indicating the proper engagement and tension of the roller. Double rollers, as opposed to one large single roller, are used to eliminate the wedging that occurs when running one-inch tape on half the roller. The yoke supporting the double roller system, is center-pivoted, as are the individual rollers. This makes the entire assembly self-aligning to the capstan and self-correcting for wear or variation in roller size.

In summing up, one can see the attention that has been given to some components relatively unimproved since they were first implemented in the recorder mechanism; utilizing solid mechanical and electronic design and attention to detail. This effort has been made in order to produce a high performance, very reliable, recorder that can easily be maintained in the environment in which it will be used. ■

# SCHOEPS

## CONDENSER MICROPHONES

### The Quality Standard Throughout The World



- A compatible microphone for all powering systems  

12V Centerfeed
12V Parallel

48V Centerfeed
- Classical acoustic pattern shaping for uniform response
- Exclusive single diaphragm Hypercardioid pattern
- World's smallest three pattern condenser microphone
- Utilizes standard American accessories

### GATELY ELECTRONICS

57 WEST HILLCREST AVE. • HAVERTOWN, PA. 19083

... have you checked Gately lately? 215-446-1415





As a service to our readers we are pleased to offer books from prominent technical publishers. All prices listed are the publishers' net. Shipping charges are included.

To order use the coupon at the bottom of the page. Indicate quantity on the special instructions line

If more than one copy of a title is wanted. Full payment must accompany your order. We cannot ship c.o.d. Checks or money orders should be made payable to Sagamore Publishing Company, Inc. Because of the time required to process orders, allow several weeks for the receipt of books.

# BOOKCASE

**20. The Audio Cyclopedia (2nd ed.).** *Dr. Howard M. Tremaine.* New and updated, here is the complete audio reference library in a single volume. It provides the most comprehensive information on every aspect of the audio art. This new edition includes the latest audio developments including the most recent solid-state systems and integrated circuits. It covers all subjects in the fields of acoustics, recording, and reproduction with more than 3400 related topics. Each topic can be instantly located by a unique index and reference system. More than 1600 illustrations and schematics help make complicated topics masterpieces of clarity. 1760 pages; 6½ x 9¾ hardbound. **\$29.95**

**1. The Technique of the Sound Studio.** *Alec Nisbett.* This is a handbook on radio and recording techniques, but the principles described are equally applicable to film and television sound. 264 pages; 60 diagrams; glossary; indexed; 5½ x 8½; clothbound. **\$14.50**

**7. Acoustical Tests and Measurements.** *Don Davis.* Provides solid understanding of the entire subject of acoustical measurements; based on actual field test work, using commercial equipment. 192 pages; 5½ x 8½; hardbound. **\$6.95**

**8. Handbook of Electronic Tables & Formulas, (3rd edition).** A one-stop source for all charts, tables, formulas, laws, symbols, and standards used in electronics. Includes an 8-page, full-color fold-out chart showing latest FCC allocations for the entire frequency spectrum. 232 pages; 5½ x 8½; hardbound. **\$5.50**

**24. Basic Electronic Instrument Handbook.** *Edited by Clyde F. Coombs, Jr. Hewlett-Packard Co.* A basic reference background for all instruments. Offers saving in time and effort by having complete information in one volume on how to get the most benefit from available devices, how to buy the best instrument for specific needs. Reduces chances of costly errors. Ideal reference book, it is an excellent source for the beginner, technician, the non-electrical engineering man, or general non-engineering scientific and technical personnel. 800 pages. Hardbound. **\$28.50**

**25. Operational Amplifiers-Design and Applications.** *Burr-Brown Research Corp.* A comprehensive new work devoted entirely to every aspect of selection, use, and design of op amps—from basic theory to specific applications. Circuit design techniques including i.c. op amps. Applications cover linear and non-linear circuits, A/D conversion techniques, active filters, signal generation, modulation and demodulation. Complete test circuits and methods. 474 pages. **\$15.00**

**26. The Design of Digital Systems.** *John B. Peatman.* Textbook for students desiring to develop a creative approach design capability through digital systems approach. Answers these question: Under what circumstances it is desirable to implement a system digitally? What are some of the components available for implementing the system? How do we go about designing it? 448 pages. **\$15.50**

**31. Solid-State Electronics.** *Hibberd.* A Basic Course for Engineers and Technicians. An extremely practical reference book for anyone who wants to acquire a good but general understanding of semiconductor principles. Features questions and answers, problems to solve. 1968. 169 pp. **\$10.25**

**32. Circuit Design for Audio, AM/FM, and TV.** *Texas Instruments.* Texas Instruments Electronics Series. Discusses the latest advances in design and application which represent the results of several years research and development by TI communications applications engineers. Emphasizes time- and cost-saving procedures. 1967. 352 pp. **\$15.00**

**35. An Alphabetical Guide to Motion Picture, Television, and Videotape Productions.** *Leviton.* This all-inclusive, authoritative, and profusely illustrated encyclopedia is a practical source of information about techniques of all kinds used for making and processing film and TV presentations. Gives full technical information on materials and equipment, processes and techniques, lighting, color balance, special effects, animation procedures, lenses and filters, high-speed photography, etc; 1970. 480 pp. **\$24.50**

**40. Radio Transmitters.** *Gray and Graham.* Provides, in a logical, easy-to-understand manner, a working knowledge of radio transmitters for quick solution of problems in operation and maintenance. 1961. 462 pp. **\$16.00**

**23. Wide Screen Cinema & Stereophonic Sound.** *M.Z. Wystozky.* First published in USSR in 1965 this excellent English translation covers wide gauge films, panoramic films, circular panoramic cinematography; technical fundamentals of stereo sound recording for film, as well as details of the Soviet systems now in use. 284 pages. **\$15.00**

**33. Noise Reduction.** *Beranek.* Designed for the engineer with no special training in acoustics, this practical text on noise control treats the nature of sound and its measurement, fundamentals of noise control, criteria, and case histories. Covers advanced topics in the field. 1960. 752 pp. **\$19.50**

**27. Noise & Vibration Control.** *Edit. by Leo L. Beranek.* Practical design and regulatory information; formulas, choice of materials and structures, city codes and hearing protection; indispensable for design engineers, public officials who prepare regulations for noise control, safety and environmental engineers involved in noise and vibration controls. Covers data analysis, transmission of sound, psychophysiological design criteria, hearing damage risk, etc; Wealth of detail, comprehensive index and concise appendices. 650 pages. **\$29.50**

**28. Environmental Acoustics.** *Leslie L. Doelle.* Applied acoustics for those in environmental noise control who lack specialized acoustical training. Basic information in comprehensible and practical form for solving straightforward problems. Explains fundamental concepts; pure theory minimized. Practical applications stressed, acoustical properties of materials and construction listed, actual installations with photos and drawings. Appendixes illustrate details of 53 wall types and 32 floor plans and other useful data. 246 pgs. **\$18.50**

**21. Acoustics—Room Design and Noise Control.** *Michael Rettinger.* 1968. The enormous problems and hazards presented by noise are dealt within an orderly and practical manner. With many charts, graphs, and practical examples, the text covers the physics of sound, room acoustics, and design, noise and noise reduction. 392 pages. **\$17.50**

**22. Acoustics of Studios and Auditoria.** *V.S. Mankovsky.* Basic theory plus a mass of design data covers the field with special reference to studios and places of public performance. For acoustical designers and specialists in sound transmission in cinema and broadcasting. Features exhaustive treatment of studio acoustics by the statistical, geometric and wave methods in parallel. 416 pgs. **\$15.00**

Sagamore Publishing Company, Inc.  
980 Old Country Road,  
Plainview, N.Y. 11803

Please send me the books I have circled below. My full remittance in the amount of \$\_\_\_\_\_ is enclosed. N.Y. State residents add 7% sales tax.

1	2	3	4	5	6	7	8	9	10	11
12	13	14	15	16	17	18	19	20		
21	22	23	24	25	26	27	28	29		
30	31	32	33	34	35	36	37	38		
39	40									

Name \_\_\_\_\_

Address \_\_\_\_\_

City \_\_\_\_\_

State \_\_\_\_\_ Zip \_\_\_\_\_

Special Instructions \_\_\_\_\_

Canada and foreign: Add \$1.00 per book



# Why pay an answering service when you can own your own?



Dictaphone has a machine that makes sure that you never lose another cent through a missed phone call or a garbled message. In fact, we have a whole line of them.

They're called ANSAFONES. They answer the call and give out a message in your own voice and then record the incoming caller's message. There's even a model which will allow you to call in from any phone in the world and get your telephone messages played back to you automatically.

ANSAFONE telephone answering machines are not toys. They're sophisticated, high quality business machines designed to work for you 24 hours a day, 7 days a week. They help big companies cover their switchboards at night during off-hours, distributors take orders 24-hours a day and small businesses keep the phone covered and stay "open for business" around the clock.

You can buy one outright or, possibly, lease it for less than you would pay an answering service. If your business depends upon the phone for orders or incoming information, ANSAFONE can help you.

For a free brochure describing how much ANSAFONE can help you in your business, mail this coupon today.

**▶ Dictaphone**  
 6338 Lindmar Drive, Goleta, Calif. 93017  
 Please send me complete information on Dictaphone's line of telephone answering systems.

Name \_\_\_\_\_  
 Address \_\_\_\_\_  
 City \_\_\_\_\_ State \_\_\_\_\_ Zip \_\_\_\_\_  
 Telephone No: \_\_\_\_\_

MN1172

1 563 10 24430

Dictaphone and AnsaFone are registered trademarks of Dictaphone Corp., Rye, New York

# CLASSIFIED

Closing date is the tenth of the second month preceding the date of issue.

Send copy to: Classified Ad Dept.

**db, The Sound Engineering Magazine**

**980 Old Country Road, Plainview, N.Y. 11803**

Rates are payable in advance and are 50¢ a word for commercial advertisements. Non-commercial and employment offered or wanted placements are 25¢ a word. The count should include addresses and telephone numbers.

These rates apply only to standard style and type size classifieds.

---

## FOR SALE

---

---

FAIRCHILD 663 limiters, five available at \$100 each. Fairchild model 675 Dynamic De-esser, one available at \$100. **Accurate Sound Corporation, P.O. Box 2159, Garland, Texas 75041. Telephone (214) 278-0553.**

---

AMERICA'S LARGEST SELECTION of new and used broadcast and recording equipment! Latest bulletins available. **The Maze Corporation, P.O. Box 6636, Birmingham, Ala. 35210.**

---

WHATEVER YOUR EQUIPMENT NEEDS—new or used—check us first. Trade your used equipment for new. Write for our complete listings. **Broadcast Equipment & Supply Co., Box 3141, Bristol, Tenn. 37620.**

---

MARANTZ 10B TUNER with case, \$400; good condition. **Michael Cheluk, 7719 Evergreen Dr., Goleta, Ca. 93017.**

---

NEW YORK'S LEADING supplier of professional audio/video equipment and hi-fi stereo components. All major brands in stock. Call for quote—sales—service—leasing—trade-ins. **Martin Audio, 320 West 46th Street, New York, N.Y. 10036. Telephone: (212) 265-6470.**

---

STUDIO TAPE ELECTRONICS. Advanced design incorporates all the desired features for updating or expanding outdated recorders or building new systems. Prompt delivery. **Inovonics, Inc., 1630 Dell Avenue, Campbell, Ca. 95008.**

---

SCULLY TAPE RECORDERS—one to twenty-four track and model 270 auto players, many models in stock for immediate delivery. SCULLY LATHES—Previously owned and rebuilt. Variable or automatic pitch. Complete cutting systems with Westrex heads. MIXING CONSOLES—Custom designed using Weigand Audio Lab modules. From \$7,000.00. **Weigand Audio Laboratories, R.D. 3, Middleburg, Pa. 17842. Phone (717) 837-1444.**

---

AMPEX PARTS, head stacks and head assemblies, complete inventory. Write for price quotation. **Accurate Sound Corporation, P.O. Box 2159, Garland, Texas 75041. Telephone (214) 278-0553.**

---

AUDIOTECHNIQUES, INC. WANTS TO BUY your used Scully Model 280 series tape recorders, any width from quarter inch to two inch. Write or phone Bob Berliner or Ham Brosious giving condition, serial number and configuration. **Audiotechniques Inc., 142 Hamilton Avenue, Stamford, Conn. 06902. (203) 359-2312.**

---

SAVE ON YOUR STYLUS COSTS! World's finest recording styli for all Westrex 3D models and HAECO SC-2. \$12.80 unwired, \$13.80 wired. Quantity purchases at additional savings. Satisfaction guaranteed. Send check or money order with your order to **HAECO, 14100 Aetna St., Van Nuys, Ca. 91401.**

---

CHECKOUT SYSTEMS FAST! Shure plug-in tone generator 700 Hz-40dBV, balanced XL-3-12 output; includes battery; pocket-sized; guaranteed. \$21.00 post paid, plus tax for California residents. **Hollywood Sound Systems, Dept. D, 1526 N. Ivar, Hollywood, Ca. 90028.**

---

FOUR USED ALTEC A7 (800) "Voice of the Theatre" speakers with blonde wood finishes, \$250.00 each. FOB Provo, Utah. One only, Ampex MR-70 four channel mastering recorder with self sync.; excellent condition; make offer. **B.Y.U. Purchasing, C-144 A.S.B., Provo, Utah 84602.**

---

TWO-CHANNEL MONITOR EQUALIZERS for your Altec's and J.B.L.'s are a steal at \$150. **Music & Sound, Ltd., 11½ Old York Rd., Willow Grove, Pa. 19090. (215) 659-9251.**

---

LOWEST PRICES for stereo masters expertly cut on a Scully lathe with the Westrex 3D stereo cutting system. Stereo: 12-inch—\$33 per side; 7-inch—\$12 per side. Mono: 12-inch—\$22 per side; 7-inch—\$7 per side. We also cut demos—prices even lower. **Trutone Records, 6411 Bergenwood Ave., North Bergen, N.J. (201) 868-9332.**

---

ALTEC 290 drivers; 1003, 203, 311-60 horns; J.B.L. D-20s. Call **(213) 661-3223** in Los Angeles for information. Equipment shipped F.O.B. New York.



INDUCTORS, air core, audio frequency; wound to order on nylon bobbins. Quantity prices available. Write for details. **TSR, 3673 W. 113th St., Inglewood, Ca. 90303.**

GATELY/PROKIT SM6A six input stereo mixer; EQ-6 equalizer for equalization on each input, and specially built pan-pot unit for panning on each input. All three units rack mounted, in portable case. Excellent physical and operating condition. Asking only \$580. **Ken Newman, 38 Rolling Ridge Road, Upper Saddle River, N.J. 07458. (201) 327-3677.**

DIRECT BOX, 50k; 150 ohm transformer; 20 kHz  $\pm$  1 dB; XLR phone type connectors; ground switch. \$30.00. **Gately Electronics, 57 W. Hillcrest Avenue, Haver-town, Pa. 19083. (215) 466-1415.**

EXCLUSIVELY IN USA "Satin" moving coil cartridges. Impedance matches magnetic input. M14LE (elliptical) \$99.95, M14LX (Shibata) \$129.95. Send check to **Michael-Scott Enterprises, Room 24, 6056 West Broadway, Minneapolis, Minn. 55422.**

ONE STOP FOR ALL your professional audio requirements. Bottom line oriented. **F.T.C. Brewer Company, P.O. Box 8057, Pensacola, Florida 32505.**

PRE-EQUALIZED J.B.L. MONITORS; Little Dipper hum/buzz notch filters; Cooper Time Cube echo delay; B.B.C. reference monitors; Lamb "B" Dolby processors; Ortofon ultra-track cartridges; Schöeps condensers; Beyer ribbons; U.R.E.I. comp/limiters; Gately pro-kits; Infinity electrostatics; Crown amplifiers/recorders; dozens more. Shipped prepaid/insured from **Music & Sound Ltd., 11½ Old York Rd., Willow Grove, Pa. 19090. (215) 659-9251.**

TASCAM MIXING CONSOLES—\$1,890. Tascam ½-inch recorders — \$1,770. Shipped prepaid/insured including free alignment and calibration. **Music & Sound, Ltd., 11½ Old York Rd., Willow Grove, Pa. 19090. (215) 659-9251.**

SOLID-STATE AUDIO MODULES. Console kits, power amplifier kits, power supplies. Octal plug-ins—mic, eq, line, disc, tape play, tape record, amplifiers. Audio and tape bias oscillators. Over 50 audio products, send for free catalog and applications. **Opamp Labs. Inc., 172 So. Alta Vista Blvd., Los Angeles, Ca. 90036. (213) 934-3566.**

HAECO announces complete repair service and overhaul for all Westrex cut-terheads. Conversions of 3D-II and older models to higher performance standards and reliability. Helium cooling systems and hi-temp coils can protect your investment. Repair insurance program available. Rapid service. Lower cost. **HAECO, 14110 Aetna, Van Nuys, California 91401.**

AUDIO EQUIPMENT, new and used. Custom consoles built to your specifications using the components of your choice. Whether you're building a new studio or remodeling your present one, check us first for a package price. **Amboy Audio Associates, 236 Walnut Street, South Amboy, N.J. 08879. (201) 721-5121.**

STUDIO LIQUIDATION. Ampex 350, 354; ProKit Mixer; Presto 8D, 6N; Advent Dolby; other equipment. Write for list. **P.O. Box, Eugene, Oregon 97405.**

RECONDITIONED PRECISION TAPE REELS, as new; 1 x 10½-inch—10/\$35.00. 2 x 10½-inch—10/\$70.00. Free list. **Wide Response, 2926 Bentley Ave., Los Angeles, Ca. 90064.**

SPLICE FASTER, BETTER BY SHEARING . . . replaces razor; specify .250-inch or cassette: \$16.95. With attached splicing tape mechanism, \$24.95. Details—**NRP Box 289, McLean, Va. 22101.**

STUDIO with Quad-Eight Electronics 1682 console, Ampex AG440-8 eight-track machine, JBL 4320 monitor speakers, and Marantz monitor-amplifiers and Quad-Eight cue amplifiers. \$30,000 full price including installation coordination. **Quad-Eight Electronics, 11929 Vose Street, North Hollywood, California 91605 (213) 764-1516.**

PENTAGON C-1000 cassette duplicator. Two years old, fully operational. **Streeterville Studios, Chicago, Illinois. (312) 644-1666.**

SPECTRA-SONICS CONSOLE, 2½ years old; 20 in. 8 busses out; adapted for 16-track recording; 480 patch points; 16-track monitor section, wired for phantom power; two cue systems. Includes parts complement to expand to 28 in and total spares package. \$25,000. Also 24-16 track MCI, two years old. \$18,000. **Record Plant. (213) 653-0240.**

CROWN TAPE RECORDERS, amps; IMF monitor speakers; AKG professional microphones; UREI limiting, Little Dipper; Fairchild; Crown warranty service station, more. **Barclay, 503 Haverford Avenue, Narberth, Pa. 19072. (215) 667-3048. or 120 Villa Crest Dr., State College, Pa. 16801. (814) 238-1598.**



**CATV—MATV PRODUCTS**

- CONNECTORS
- WALLPLATES
- SPLITTERS
- AMPLIFIERS

**AVA ELECTRONICS CORP.**  
416 LONG LANE, UPPER DARBY, PA. 19082  
215-MA 6 9100

## WANTED

WANTED: Crown and Ampex tape equipment, any age or condition. **Sound Engineering, Box 4113, Cleveland, Ohio 44123. (216) 731-6563.**

FINANCIAL PARTNER needed to start eastern Alabama recording studio. Only serious replies please. **J. Baldwin, c/o The Music Center, Midway Plaza, Opelika, Alabama 36801.**

## EMPLOYMENT

PROFESSIONAL RECORDING PERSONNEL SPECIALISTS. A service for employers and job seekers. Call today! **Smith's Personnel Service, 1457 Broadway, N.Y.C. 10036. Alayne Spertell 212 Wi 7-3806.**

MANUFACTURER of professional quality audio products seeks an aggressive sales-oriented electrical engineer with strong interest in audio equipment for sales position in the most lucrative market area. Person selected will enjoy direct working relations with key personnel in company. Attractive offices in prestige location; basic salary and incentive commissions; high salary potential. **Box 3-2, dB Magazine, 980 Old Country Road, Plainview, N.Y. 11803.**

TOP 16 TRACK NEW YORK STUDIO needs experienced rock engineer. \$\$\$ high. **Smith's Personnel Service, 1457 Broadway, New York, N.Y. 10036. Alayne Spertell (212) 947-3806.**

EXCELLENT GROUND FLOOR OPPORTUNITY with rapidly expanding electronics firm as manager for newly created professional audio products division. Responsible for establishment and implementation of marketing program and product development serving commercial sound contractors. Experience required. Please submit resume to **L. J. Lynn, Director of Marketing & Sales, Sunn Musical Equipment Company, Amburn Industrial Park, Tualatin, Oregon 97062.**

EXPERIENCED AUDIO TECHNICIAN for production testing of professional audio equipment. Requires knowledge of solid-state circuit trouble-shooting/use of test equipment. Send resume to: **UREI, 11922 Valerio Street, North Hollywood, Ca. 91605.**

WANTED: Instructor, Broadcast Engineer Technician; two-year college, southeast Ohio. Challenging and rewarding position; salary open. Contact **Dean of Education, Hocking Technical College, Route 1, Nelsonville, Ohio 45764. (614) 753-3514.** The college is an Equal Opportunity Employer.

# PEOPLE, PLACES, HAPPENINGS

● **Audiotechniques, Inc.**, Stamford, Connecticut, has signed an agreement with the **Mastering Lab**, Hollywood, California, giving Audiotechniques the exclusive manufacturing and distribution rights for the Mastering Lab frequency dividing network. Audiotechniques president, **Hamilton Brosious**, and **Sherwood Sax**, Mastering Lab president, said that the manufacture of the crossover units would continue in the Los Angeles area for the present. The Mastering Lab frequency dividing network was specifically designed to enhance the performance of the well-known Altec 604 and 605 series speakers. The device, widely used in Hollywood recording studios, has been recommended by Altec engineers as a major improvement in 604 series equalization. Manufacture and test procedures for the ML network will be under the direction of Audiotechniques vice president, **Bob Berliner**. Sales and service will be through a nationwide group of professional audio dealers, with deliveries commencing shortly after May 1.

● A further involvement with radio stations is evident in the recent purchase by **Fairchild Industries**, based in Germantown, Maryland, of stations **WYOO (AM)** and **WRAH (FM)** of Richfield, Minnesota, closely following the purchase, in January, of **KLIF**, Dallas, Texas. The Minnesota stations will operate twenty-four hours a day under the direction of **Marlin D. Schlottman**, general manager, and **William A. Stewart**, manager of operations.

● **Edison Electronics**, a division of **McGraw-Edison Company**, has established a parts and service operation servicing the **Daven** and **Measurement** product lines at its Manchester, New Hampshire location. The operation will distribute instrument spare parts and accessories, plus import production. Eventually, it will supply domestic switch and attenuator parts. Repairs of products manufactured under the **Measurements** trade name will be offered at the facility. The operation will be under the direction of divisional sales manager **Richard H. Smith**.

● **Radio Shack**, announces the appointment of **Dr. Frank B. Roberts** as product development manager, where he will take charge of design and product development functions as well as oversee quality control. Dr. Roberts had been director of engineering for **Symphonic Electronic Corporation** since 1970, and prior to that served as director of research and development for **KLH**, and chief engineer for **National Radio Company**.

● A joint announcement of merger has been made by **Infonics, Inc.** manufacturers of in-cassette duplicators and **Electronic Associates, Inc.** Infonics will continue to manufacture its broad line of tape and cassette duplicators and copiers in its Santa Monica, California facilities under the direction of **Peter Stanton**. Certain marketing activities will be consolidated with those of the educational technology subsidiary of **Electronics Associates, Visual Educom**, manufacturer of Dage television systems, Edex response equipment, Aetna Drivetrainers, Audipointer training equipment, Educam language laboratories, and ATC instrument flight trainers. Visual Educom's new plant is located in Michigan City, Indiana.

● A new distributor division sales arm has been set up by **Ballantine Laboratories, Inc.** to market special low-cost instruments, including precision a.c. voltmeters, standards and calibrators; oscilloscopes; counters and storage devices. According to **Milton J. Lichtenstein**, marketing vice president, the new distribution operation will include Ballantine's present worldwide field engineering representatives already involved in marketing the firm's major product lines. New representatives recently appointed by Ballantine include **Moxon Electronics** of Irving, California, and **Dyna Rep Company** of Springfield, Virginia. Moxon, operating from branch offices in Sunnyvale and San Diego, California as well as Irving, will represent Ballantine's test and measuring instruments in California, Nevada, and Hawaii. Dyna Rep, with branch offices in Baltimore, Md. and Bordentown, N.J., will cover the District of Columbia, Maryland, and Virginia.

● The **Gotham** group of companies, comprising **Gotham Audio Corporation**, **Gotham Export Corporation**, and **Teldec Sales Corporation**, has moved into its own building, known as The **Gotham Building** situated at 741 Washington St., New York, N.Y. 10014, in the midst of the colorful west village area between Eleventh and Twelfth Streets, one block from the Hudson River. Because this area is in a district supervised by the New York City Landmarks Commission, extreme care was taken to preserve the attractive facade of the 1912-built brick structure during renovating operations. Gotham anticipates expansion of its staff by some fifty per cent to meet the increased demands of the recording, broadcasting, public address, and related industries.



● **Bruce Marlow** has been appointed to the position of manager, merchandising and product management, by **RCA Records**. Marlow, who will be responsible for coordinating all merchandising functions for RCA's commercial and custom labels, has been with RCA since 1971 and steps up from the position of manager of product and market planning. Before joining the record division, he had worked on corporate staff projects for the **Hertz Corporation** and **RCA Selecta-Vision**. Marlow was educated at Tufts University and received a Master of Business Administration from Columbia University in 1971.

● Plans by **Sony Corporation** to open manufacturing facilities in San Diego, California should cushion the effect on prices of changes in the value of the U.S. dollar or Japanese yen. By autumn, the company's plant in San Diego will be able to produce more than half of Sony's color television requirements in the United States. Construction of a second facility, manufacturing tubes for all Trinitron t.v. sets made in the United States, will commence in San Diego in the spring.



# TIMEKEEPER TAPE TIMERS

The well-known TIMEKEEPER TAPE TIMERS are now available for immediate delivery. Our latest shipment has arrived and we are ready to fill your order.

TIMEKEEPER TAPE TIMERS are easily mounted on any 1/4-inch recorder. They are fully guaranteed to meet with your complete satisfaction or your money will be promptly refunded. At these low prices you can no longer afford to be without a tape timer.

## Difference from the Stop-Watch

Since the stop-watch measures time independently of the travel of the tape, its measurement inevitably varies with the elongation or contraction of the tape and with the rotating speed of the tape recorder, subject to change by voltage and other factors. The stop-watch can be stopped during the travel of the tape, but it cannot rewind together with the tape back to the desired position. With the Tape Timer moving in unity with the tape recorder, fast forwarding of the tape involves the quick advance of the pointer, while rewinding of the tape moves the pointer backward by the corresponding time.

Correct time keeping of the Tape Timer is never deranged by continuous repetition of such actions during the travel of the tape, as stop, rewinding and fast forwarding. Unlike the stop-watch, the Tape Timer is not affected by various factors of the tape recorder, and so the editing, reproduction and revision of your recorded tape can be done at will.

## Features

- The recorded portion of the magnetic tape can be read at a glance by a scale division of 1/4 second as accurately as a clock.
- The performance of the Tape Timer synchronized with the tape prevents such errors as caused by the elongation or contraction of the tape, and by the variation of speed in the rotation of the machine. Fast forwarding of

**NOTE**  
Price Increase After May 15, 1973:  
Professional Model ..... \$119.95  
Standard Model ..... 59.95  
If you have been planning to buy one of the fine instruments, now is the time to place your order. Current prices will remain in effect up to May 15th. Order now!

the tape involves the proportional increase of the advance on the Tape Timer. When you rewind the tape, the pointer will be automatically moved back by the space of time exactly corresponding to the rewind length. You are free to stop, rewind, fast forward, or forward the tape even continuously and repeatedly without deranging the timing on the machine, thus prohibiting errors. These excellent characteristics will enable you to simplify the most complex procedure of editing, revising and otherwise processing your tape recording.

- Every fast rotating part is provided with a precise ball bearing, so that the Tape Timer can be employed at high speed with no need of lubrication.
- This trouble-free, high precision Tape Timer, within an error of 2/1000, can be simply fitted to any recording or editing machine.

Two models are available:



The Standard Model is calibrated for 7.5 and 3.75 ips and can also be used at 15 ips. Dimensions are 1 7/8" x 3 1/4". It is priced at only \$49.95.



The Professional High Speed Model is calibrated for 7.5 and 15 ips. It measures 2 1/2" x 3 1/4" and is priced at \$99.95.

**TIMEKEEPER** P.O. BOX 835 GREAT NECK, N.Y. 11021

**NOTE: THESE PRICES APPLY TO ORDERS RECEIVED PRIOR TO MAY 15th, 1973.**

Name \_\_\_\_\_

Address \_\_\_\_\_

City \_\_\_\_\_

State, \_\_\_\_\_ Zip. \_\_\_\_\_

Please send \_\_\_\_\_ Professional Tape Timers at \$99.95 each.

Please send \_\_\_\_\_ Standard Tape Timers at \$49.95 each.

Total for Tape Timers \$ \_\_\_\_\_

N.Y. State Residents add 7% Sales Tax \$ \_\_\_\_\_

Add \$1.00 shipping per order \$ \_\_\_\_\_

Enclosed is check for \$ \_\_\_\_\_



Dreaming  
about a pair  
of \$300  
condenser  
microphones?

Think  
seriously  
about these:  
\$39.75\* each!



Model 1710 Electret Condenser  
Omnidirectional Microphone

All of the great condenser advantages are here without compromise. Flat, extended range, excellent transient response, high output, low noise, and ultra-clean sound. But the new E-V electret condenser microphones need no high voltage power supply. Just an AA penlite battery to operate the built-in FET impedance converter. The result is studio performance without complications and at a dramatically lower price.

There are 4 new E-V electret microphones, including cardioid models, from \$39.75 to just \$75.00, audiophile net. Second-generation designs with unusually high resistance to heat and humidity. Hear them today at your nearby Electro-Voice soundroom. Or write for details.

**More U. S. recording studios use Electro-Voice microphones than any other brand.**

\*Suggested retail price. Microphones shown on Model 421 Desk Stand. \$12.00 each.

You have some  
questions about  
4-channel?  
We have the  
answers.



EVX-44 Four-Channel Universal  
Decoder \$99.95 suggested retail

**Q.** With so many different matrix encodings (E-V Stereo-4™, SQ, QS, Dyna, and all the rest) how do I know which decoder to buy?

**A.** Simple. Choose the new EVX-44 Universal Decoder. It plays ALL matrixes accurately without switching, no matter how they are made.

**Q.** The EVX-44 has an extra Separation Enhancement circuit. Why?

**A.** To keep a soloist firmly in the front of the room by increasing center-front to back isolation to as much as 18 dB (at the cost of some back left-right separation). The enhancement is automatic and unobtrusive, acting only when the center soloist is performing. It can also be switched "on" continuously or "off" completely if preferred. The circuit works equally well with all encodings and even with 2-channel stereo records.

**Q.** What if so-called "discrete" records become popular? Won't I be wasting my money buying a matrix decoder now?

**A.** Not at all. Major record companies are firmly committed to matrix four channel. In addition E-V decoders enhance 2-channel sources, adding a feeling of ambience and dimension that is rivaled only by actual 4-channel material. Discrete demodulators can't do this. After all, 2-channel records, tapes, and FM won't disappear overnight, no matter what happens with 4-channel sound. Our decoders can even "enhance" the main channels of discrete 4-channel recordings. So your E-V decoder will be useful for years to come.

**Q.** Why does E-V offer two decoders?

**A.** Cost, mostly. The original EVX-4 is still a great bargain. It does an excellent job of decoding matrix records and is tops for enhancing 2-channel stereo. But the new EVX-44 does a more accurate job with all matrixes, and it has the separation enhancement circuit. It's quite a bit more complex, hence more expensive. E-V thinks you should have a choice.

**Q.** I don't want to buy 2 stereo systems to get 4-channel sound. What should I do?

**A.** Choose the EVR-4X4 4-channel AM/FM receiver. It has everything including the Universal Decoder circuit built right in. Simply hook up 4 loudspeakers (hopefully E-V!) and whatever tape or record players you prefer, and play.

**When it comes to 4-channel... there's no question about it.  
Electro-Voice makes it happen.**

*E-V 4-channel products are produced under U.S. Patent No. 3,632,886*

a Gulton  
COMPANY

ELECTRO-VOICE, INC., Dept. 334BD, 686 Cecil Street, Buchanan, Mich. 49107  
In Europe: Electro-Voice, S. A., Römerstrasse 49, 2560 Nidau, Switzerland  
In Canada: EV of Canada, Ltd., Gananoque, Ontario

**Electro-Voice®**

Circle 10 on Reader Service Card

www.americanradiohistory.com