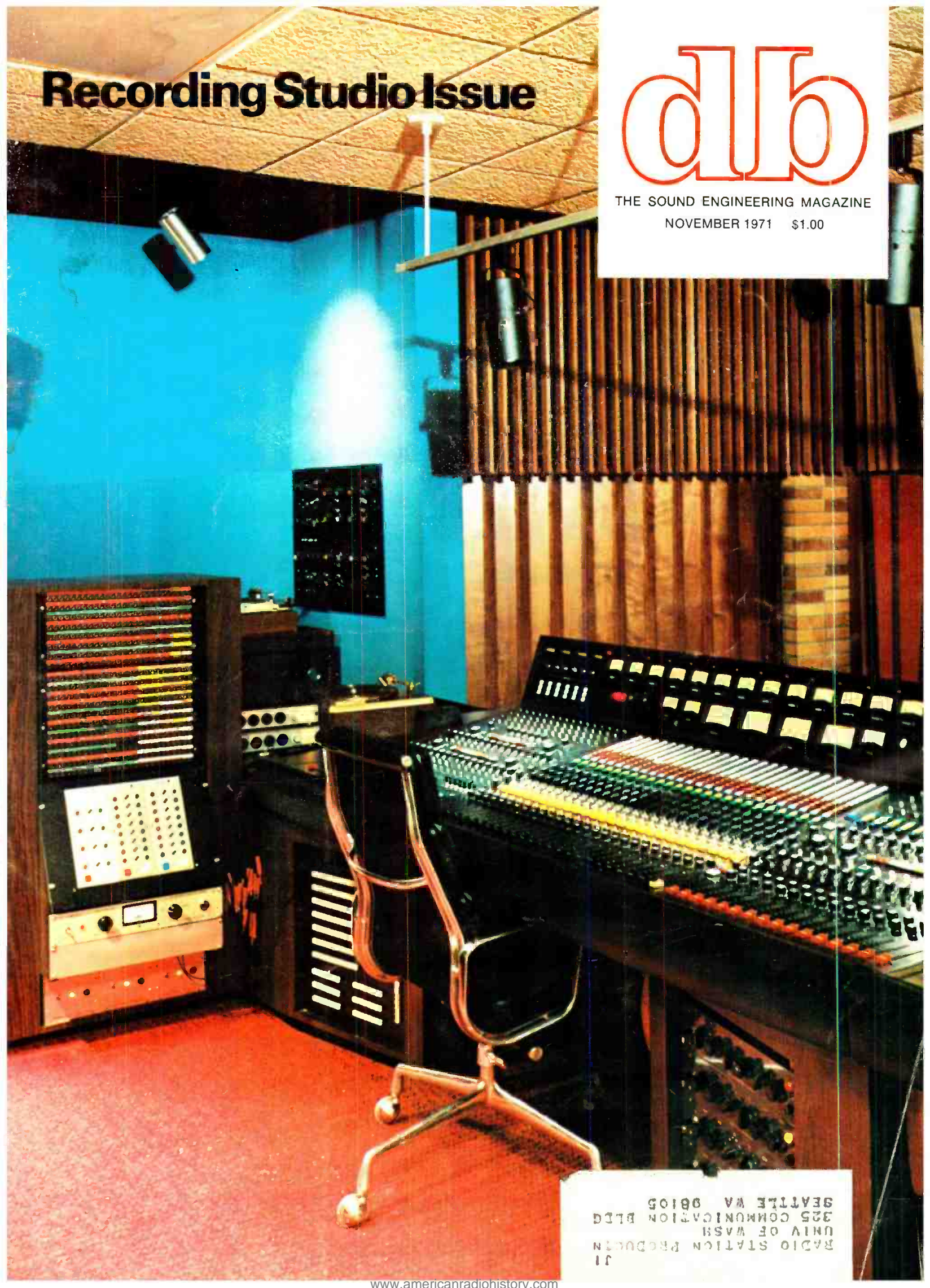


# Recording Studio Issue

# db

THE SOUND ENGINEERING MAGAZINE

NOVEMBER 1971 \$1.00



11  
RADIO STATION PRODUCTION  
UNIT OF WASH  
325 COMMUNICATION BLDG  
SEATTLE WA 98105



# Free loan-for-trial.

# Free repairs for the first two years, no matter what happens.

# Plus a lifetime guarantee.



**We're very confident. But then we've been offering all this for years!**

**E.V.** A careful study of guarantees can tell you quite a bit about a company. And that's why we're so proud of ours. For instance, every E-V Professional-line microphone has a 2-year UNCONDITIONAL warranty against malfunction; regardless of cause. Even accidental damage is covered, no questions asked. All absolutely free—except one-way postage. And for a modest charge we'll even hide the scars!

But that's just part of the story. Every

Electro-Voice microphone is also guaranteed for the life of the unit to be free from factory defects in workmanship and materials. To show you we're really serious, we've printed the entire guarantee below. There's no finer in the industry.

How can we afford such liberal guarantees? By making products that have served for decades as the yardstick of reliability in studios throughout the world. And by creating designs that really solve your sound problems, day after day.

Which brings us to our other unusual offer.

Did you know that most Electro-Voice distributors will loan any E-V Professional product to responsible firms for trial without cost or obligation? You can make every test you want under actual working conditions. And in the rare event that you aren't satisfied, just return the unit. Your distributor then exchanges it for fresh stock from us. No cost to either him or you. We've found this simple system helps you choose the products that really solve your problems. And we're happy to help.

A great guarantee and a time-tested loan-for-trial program. Plus a broad line of professional products that fit almost every studio need. We wouldn't want to do business any other way.

ELECTRO-VOICE, INC., Dept. 1111BD,  
686 Cecil Street, Buchanan, Michigan 49107

In Europe: Electro-Voice, S.A., Lyss-Strasse 55,  
2560 Nidau, Switzerland

#### WARRANTY

Electro-Voice Professional Broadcast and Recording Microphones are guaranteed unconditionally against malfunction for two years from date of purchase. Within this period Electro-Voice will, at its option, repair or replace any E-V Professional microphone exhibiting any malfunction regardless of cause, including accidental abuse. This warranty does not cover finish or appearance. Also, every Electro-Voice microphone is guaranteed for the life of the microphone to be free of factory defects in materials and workmanship, and will be repaired or replaced (at our option) at no charge if exhibiting malfunction from this cause. Microphones for warranty repair must be shipped prepaid to Electro-Voice, Inc. or its authorized service agency, and will be returned prepaid.

high fidelity systems and speakers • tuners, amplifiers, receivers • public address loudspeakers  
• microphones • phono cartridges and styli • aerospace and defense electronics

Circle 10 on Reader Service Card

[www.americanradiohistory.com](http://www.americanradiohistory.com)

# Electro-Voice®

a GULTON subsidiary

# COMING NEXT MONTH

● Robert Ehle returns again to our pages with another article of worth on the subject of electronic music—something every audio engineer wants to know more about. The subject this time—selecting optimum equipment for live performance of electronic music.

Koss Electronics recently moved to enlarged quarters in their home city of Milwaukee. A **db** VISITS story will show how headphones get made and what procedures are used to check each to assure performance as claimed.

Our camera got quite a workout at the most recent Audio Engineering Society exhibition held in New York. The proof sheets indicate that there will be a lot to see in our display of new equipment seen at the show. We even secured some pictures of the shape of some tape machines to come in 1972.

And there will be our regular columnists: George Alexandrovich, Norman H. Crowhurst, Martin Dickstein, Arnold Schwartz, and John Woram. Coming in **db**, The Sound Engineering Magazine.

# ABOUT THE COVER

● The scene is at Ultrasonic Studios in Hempstead, L. I., New York, and we're grateful to owner Bill Stahl for the color shot. A story on Ultrasonic is on page 25 in this issue which has been entirely devoted to the independent recording studio.



THE SOUND ENGINEERING MAGAZINE

NOVEMBER 1971 VOLUME 5, NUMBER 11

- 21 INDEPENDENT RECORDING STUDIOS—  
A **db** FORUM
- 25 **db** VISITS—ULTRASONIC RECORDING  
STUDIOS
- 28 **db** VISITS—LES STUDIOS ANDRE PERRY  
LTEE
- 31 **db** VISITS—WHITNEY RECORDING STUDIOS
- 2 THE AUDIO ENGINEER'S HANDBOOK  
George Alexandrovich
- 8 THE SYNC TRACK  
John Woram
- 12 THEORY AND PRACTICE  
Norman H. Crowhurst
- 16 THE FEEDBACK LOOP  
Arnold Schwartz
- 18 NEW PRODUCTS AND SERVICES
- 33 SOUND WITH IMAGES  
Martin Dickstein
- 34 CLASSIFIED
- 35 BOOKCASE
- 36 PEOPLE, PLACES, HAPPENINGS

**db** is listed in **Current Contents: Engineering and Technology**,

<b>Robert Bach</b> PUBLISHER	<b>Larry Zide</b> EDITOR
<b>Bob Laurie</b> ART DIRECTOR	<b>John Woram</b> ASSOCIATE EDITOR
<b>A. F. Gordon</b> CIRCULATION MANAGER	<b>Marilyn Gold</b> COPY EDITOR
<b>Eloise Beach</b> ASST. CIRCULATION MGR.	<b>Richard L. Lerner</b> ASSISTANT EDITOR

db, The Sound Engineering Magazine is published monthly by Sagamore Publishing Company, Inc. Entire contents copyright © 1971 by Sagamore Publishing Co., Inc., 980 Old Country Road, Plainview, L.I., N.Y. 11803. Telephone (516) 433 6530. db is published for those individuals and firms in professional audio-recording, broadcast, audio-visual, sound reinforcement, consultants, video recording, film sound, etc. Application should be made on the subscription form in the rear of each issue. Subscriptions are \$6.00 per year (\$7.00 per year outside U. S. Possessions, Canada, and Mexico) in U. S. funds. Single copies are \$1.00 each. Controlled Circulation postage paid at Harrisburg, Pa. 17105. Editorial, Publishing, and Sales Offices: 980 Old Country Road, Plainview, New York 11803. Postmaster: Form 3579 should be sent to above address.

George Alexandrovich

# THE AUDIO ENGINEER'S HANDBOOK



THE SOUND ENGINEERING MAGAZINE

## SALES OFFICES

**New York**  
980 Old Country Road  
Plainview, N.Y. 11803  
516-433-6530

**Dallas**  
Roy McDonald Associates, Inc.  
Semmons Tower West  
Suite 714  
Dallas, Texas 75207  
214-637-2444

**Denver**  
Roy McDonald Associates, Inc.  
846 Lincoln Street  
Denver, Colorado 80203  
303-825-3325

**Houston**  
Roy McDonald Associates, Inc.  
3130 Southwest Freeway  
Houston, Texas 77006  
713-529-6711

**Los Angeles**  
Roy McDonald Associates, Inc.  
1313 West 8th Street  
Los Angeles, California 90018  
213-483-1304

**Portland**  
Roy McDonald Associates, Inc.  
2305 S. W. 58th Avenue  
Portland, Oregon 97221  
503-292-8521

**San Francisco**  
Roy McDonald Associates, Inc.  
625 Market Street  
San Francisco, California 94105  
415-397-5377

## Gainshifting in Two-Way Communications (cont.)

● In last month's column we discussed the principle of gain shifting. This time we shall look into the circuits involved. In order to change the gain up or down, two basic circuits are needed: expander and compressor. The nature of a gainshifter in the communication circuits is such that it requires that the expander and the compressor be closely matched not only in the amount of gain change but also dynamically. Dynamic matching means that the rate of change of gain in both circuits shall be the same at all times, in order to achieve highest circuit efficiency, and loudest reproduce levels without acoustical feedback.

With today's technology, it is possible to achieve gain shifting by various means: fet circuits, ldr circuits, variolossor diode circuits, pulse width

modulation control circuits, as well as several other less practical approaches. Since most of my experience has been with ldr circuits I shall discuss a system designed around photo-sensitive devices. By merely substituting other variable gain circuits in place of ldr's would not change the principle or operation of the system.

FIGURE 1 shows a basic expander circuit. It consists of a resistive pad having resistor R1 as a series element and R2 in shunt. Both resistors are chosen so that pad represents insertion loss equal to the amount of expansion desired. Without LDR1 in the circuit loss produced by the pad can be 15 dB. From this follows that  $R1+R2/R2 = 5.6$ . Solving the equation for R1 gives us  $R1 = 4.6R2$ . In the value of R2 include the parallel impedance (or input resistance) of the amplifier or of the circuit that follows. If you select R2 to be let us say 2.2 kohms and the input impedance of the following stage is 100 kohms disregard the effect of the load. In this case, R1 will be 10.12 kohms or for practical purpose 10 kohms. Now we connect the ldr across the R1. When not illuminated, resistance of the cell is in megohm range, when fully illuminated (10-50 ft. candles) resistance drops to 50-100 ohms, depending on the cell. When this happens, ratio of the pad approaches unity and the 15 dB loss is eliminated; gain of the circuit increases by 15 dB and the effect of expansion is produced.

FIGURE 2 is a compressor circuit. The basic idea is the same, except that the pad ratio is kept small (close to unity) when the ldr is effectively out of the circuit. In this case resistor R1 acts as a limiting resistor protecting the amplifier from overload during full compression—and also determines the amount of compression, considering that the ldr goes down in resistance only to 50-100 ohms. In the compressor circuit, R2 comprises the resistance of the load as well. The goal in designing a compressor which should produce 15 dB of compression is to change the pad ratio by a

## advertisers index

AKG . . . . .	4
Acoustic Research . . . . .	5
Allison Research . . . . .	23
Altec Lansing . . . . .	13
B & O . . . . .	15
Beyer . . . . .	8
Crown International . . . . .	30
Electro-Voice . . . . .	Cover 2
Fairchild Sound . . . . .	20
Gately Electronics . . . . .	19
Gotham Audio . . . . .	3
Institute of Audio Research . . . . .	6
Koss . . . . .	Cover 4
Neve . . . . .	32
Martin Audio . . . . .	17
Nortronics . . . . .	12
Olive . . . . .	29
ReVox . . . . .	Cover 3
Shure Bros. . . . .	11
Telex . . . . .	7
Timekeeper . . . . .	9, 14





## At Capitol Records they don't start without Neumann.



When Capitol Records furnished its new Hollywood Custom Recording facility, it had a world of audio equipment to choose from.

It also had the technical know-how to choose both wisely and well. Not only did it have its own vast experience in judging audio equipment, but it could borrow knowledge. For Capitol's far-flung network of related companies has worked with and tested all of the world's professional equipment.

Capitol again chose Neumann. As they've done every year—in every Capitol installation—since Neumanns became available. They selected Neumann for the microphones that pick

up the great sound in Capitol's new studios. And for the VMS/SX-68 that now cuts the industry's finest masters.

Capitol Records is just one of many great companies that have turned to Neumann for their audio equipment. For Neumann consistently has made outstanding contributions to the technical excellence of American audio.

*Gotham is Neumann in the U.S.A. If you'd like to know more, sound us out.*

**GOTHAM**<sup>G</sup>  
AUDIO CORPORATION

2 West 46th Street, New York, NY 10036 (212) 265-4111  
1710 N. LaBrea Avenue, Hollywood, CA 90046 (213) 874-4444  
In Canada: I-Mor Electronics Ltd.



# FREE from AKG

48-page technical brochure on Field Effect Transistor condenser microphones and describing in detail:

- A. Structural details of new type miniature condenser microphone capsules with various pick-up pattern, complete with performance and comparison charts.
- B. F.E.T. condenser microphone preamplifier technology, including schematics and specifications.
- C. Modern powering techniques of F.E.T. condenser microphones.
- D. Application hints, including illustrations and descriptions of recording accessories.



This booklet is of interest to every innovative recording and broadcast engineer. Please fill out coupon below or send us your request on your organization's stationery.

AKG-113

NAME \_\_\_\_\_

TITLE \_\_\_\_\_

FIRM \_\_\_\_\_

ADDRESS \_\_\_\_\_

CITY \_\_\_\_\_

STATE \_\_\_\_\_ ZIP \_\_\_\_\_



AKG CANADA • DIVISION OF DOUBLE DIAMOND ELECTRONICS • SCARBOROUGH, ONTARIO

Circle 17 on Reader Service Card

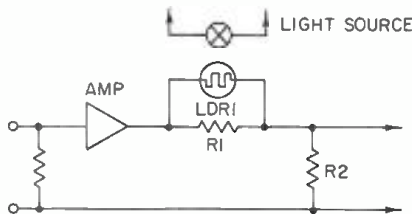


Figure 1. An expander circuit.

factor of 5.6. Since ldr's vary in their sensitivity and the light sources may produce various degrees of illumination (as a function of light-ldr distance) resistor R3 is introduced to offset variations in sensitivity of the cells. If we make this resistor (R3) 470 ohms, then the lowest shunt resistance we can expect would be  $R$  of  $ldr + R3$ , or  $50 + 470 = 520$  ohms. If we select R1 to be 2.2 kohms again then from the calculations performed for the expander,  $4.6R2$  would represent total resistance of the shunt circuit during full compression. Substituting 520 ohms for the value of R2 will give us 2.39 kohms. Since we have selected 2.2 k for R1 we have to either increase it to 2.4 k or decrease the value of R3 to 420 ohms. These calculations disregard the load impedance of the stage that follows the circuit. If this impedance is very high it can be disregarded. If it is small then it should enter into calculations as a part of the shunt. In this case, value of R1 would have to be increased to provide for sufficient amount of compression. Both circuits seem to be fairly simple and easy to make work. But we shouldn't forget that both expander and compressor have to be dynamically balanced. This requires careful selection of the cells and resistor values of the pads. We should also consider the fact that there is photon inertia of the cell which causes slow change in resistance of the cell when illumination is removed—in contrast to fast change when illumination is applied. Matching of both circuits requires some

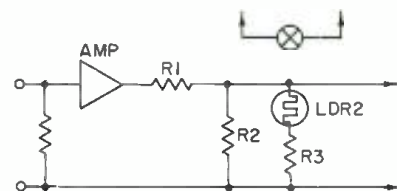


Figure 2. A compressor circuit.

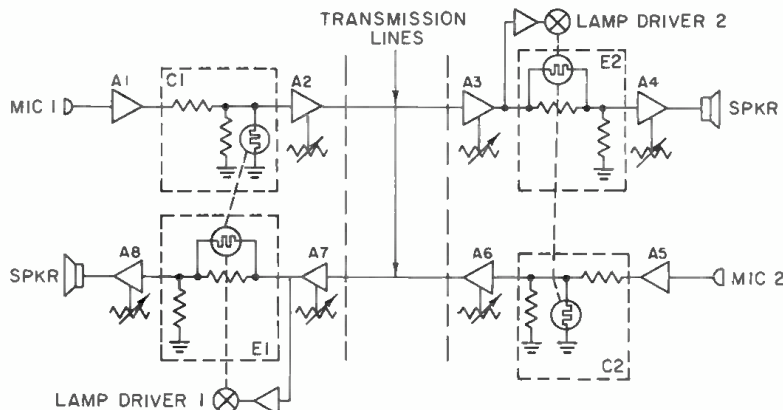
experimental work and juggling of the resistor values.

One more thing about gain switching before we look into the circuit of the complete system. If we substitute relays instead of ldr's the system will also operate, but switching action will be too obvious and harsh. Switching transients will trigger the system and cause a lot of extra work to isolate, them. In order to soften the action of the gain-shifting circuits slopes of the expander and compressor should be similar, and preferably not higher than 1:4 and 4:1 respectively.

FIGURE 3 represents a complete two-station system diagram. In last month's column, signal flow in such a system was described. Now is the time to bring up some details for discussion. First—some readers may wonder why A3 is needed. The explanation is that a good number of lines present quite a substantial loss to a signal (sometimes as high as 40 dB), especially equalized lines obtained from the telephone company. Also, isolation of the circuit by an amplifier is to our advantage. Lamp driver 1 affects the operation of expander 1 and compressor 1 while driver 2 affects expander 2 and compressor 2.

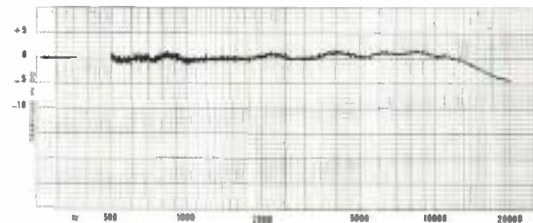
Let us analyze the action of the gain shifter circuits. As the signal enters mic 1 it travels toward speaker 2. Before being amplified by power amp A4, it triggers driver 2 which sets both expander 2 and compressor 2 into operation. Gain of the mic 1 speaker 2 line increases by 15 dB while mic 2-speaker 1 gain drops by the same amount. Acoustical pickup

Figure 3. A complete two-station system.



# The AR Laboratory Standard Transducer

**A speaker for professional use  
from Acoustic Research**



**ACCURACY AND FLEXIBILITY:** The AR-LST offers a total of six different energy profiles — all accurately known and repeatable at the turn of a switch, which is located on the front of the cabinet. This permits a degree of control and precision that is usually found only in electronic equipment.

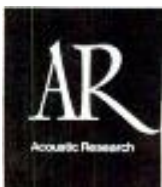
**FLAT ENERGY CAPABILITY:** The AR-LST is capable of a flat energy output characteristic that, in our judgement, establishes a new state of the art. The graph shown above represents the acoustic power output produced by the AR-LST with its control set to the “flat” position. The horizontal line below 500 Hz indicates the relative woofer level.

**LOW DISTORTION:** As with the AR-3a, harmonic distortion measurements down to the lowest audible frequencies are, to the best of our knowledge, the lowest of any loudspeaker system available.

**WIDE DISPERSION:** AR’s hemispherical dome tweeters produce exceptionally smooth, wide dispersion of midrange and high frequencies, even in rooms or studios that are acoustically rather dead.

**POWER HANDLING:** Multiple drivers for midrange and high frequencies enable the AR-LST to handle power levels significantly higher than AR’s finest speakers designed primarily for home use.

Detailed information on the AR-LST is available on request. Mail the coupon below.



## **Acoustic Research, Inc.**

24 Thorndike Street  
Cambridge, Massachusetts 02141, Dept.

Please send the booklet describing the AR-LST to

NAME \_\_\_\_\_

ADDRESS \_\_\_\_\_



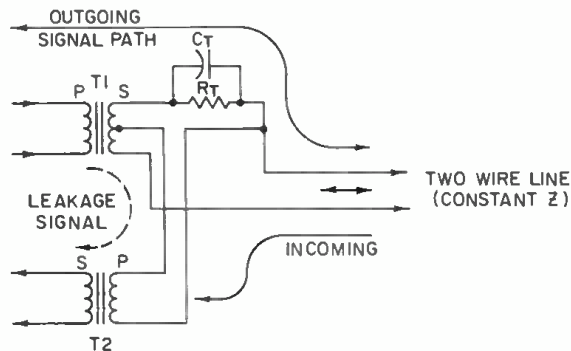
of the reproduced signal by mic 2 is fed into the return leg of the system, but because of the compressor action, it is 15 dB lower and not capable to trigger driver 1 into action.

Let us assume that the threshold of the lamp driver circuits is set so that signal can increase another 15 dB into mic 1 before it will be strong enough in the return leg to trigger driver 1. But suppose the signal triggers driver 1, then compressor 1 will start to also operate and reduce the mic 1 level. This, in effect, constitutes the overload protection quality of the circuit. This condition may exist if someone approaches the mic and starts talking in an abnormally loud voice (an angry boss).

Another fail-safe feature of the circuit is that if one of the light sources fails, the circuit simply doesn't provide extra loud levels—but communications are not completely interrupted. This is the instance where it becomes advantageous to keep gainshifting to a minimum by applying acoustical treatment to the rooms and using directional transducers.

If fail-safe operation is of prime importance, two identical systems can be operated side by side—providing not only more reliable operation but also a stereo effect. Lamp drivers at both locations have to be synchronized otherwise gain changes in one

Figure 4. Conversion of a four-wire system to two wires using a balanced bridge hybrid.  $R_t$  and  $C_t$  tune the bridge for minimum leakage.



half of the stereo system would upset the gain balance in the other half.

If the system is to be operating between two distant locations, individual lines for outgoing and incoming signals can be too costly. In this case the balanced bridge hybrid circuit shown in FIGURE 4 should be used. Two transformers, one with a center-tap secondary would cut transmission line cost in half. Also the circuit can be made switchable to a single line in a two line system if one line fails (it can happen—just ask Ma Bell).

One of the requirements is that the lines rented be permanent because the bridge on each side of the line has to be balanced to the impedance of the line, since every time the line is changed hybrids on each side of the line have to be rebalanced. The main

purpose of balancing the hybrid is to cut the leakage currents to a minimum. A well-balanced bridge can provide outgoing/incoming circuit isolation up to 40 dB.

In order to balance the circuit properly it has to be done at several frequencies. Long telephone lines have large d.c. resistance, inductance, and capacitance. In order to balance the bridge resistor  $R_t$  and condenser  $C_t$  have to be trimmed to match the line impedance.  $C_t$  adjusts the balance at high frequencies while  $R_t$  adjusts it at low frequencies.

Another advantage of using a hybrid is that several stations can be connected across the common line. Then several people can hold conversation among themselves just as if they were all together in one room—yet they may be hundreds of miles apart from each other. In order to mix all these lines, a special mixing network would be required, since with the addition of every station the common bus impedance is lowered, thereby detuning hybrids of all incoming lines. What this mixing network has to accomplish is to maintain the common bus impedance, regardless of the number of stations participating or switched in.

The principle of gain shifting has found wide application in the communications field within the past decade. The system described in this column was designed and manufactured strictly for the communications field as an antifeedback device, but the principle of gain adjustment according to the level and frequency has also been applied in devices designed to reduce noise and distortion. One of them is the well-known Dolby system. Another system which emerged recently is the Philips noise-reduction system which uses expansion to raise the level of the program and reduce noise when the audio signal is absent and background noise becomes apparent. Intricacies of this system were revealed by Philips at the AES convention just past. Gain-riding circuits can be found not only in audio but in video circuits, r.f. circuits and almost any branch of electronics. ■

# AUDIO SYSTEMS DESIGN

## advanced engineering seminar

course no. 301 / classes begin January 17, 1972

An advanced course in the application of modern electronic technology to the design of audio systems. Classes will meet each weekday afternoon for 3½ weeks ending on February 9th—a total of 70 hours including practical laboratory sessions.

Registration fee—\$75.00 / Tuition fee—\$320.00

## studio technology and practice

course no. 101 / classes begin January 10, 1972

A professional development course in the technology and current practice used in modern day sound recording studios. Classes meet Monday and Wednesday evenings from 6:30 to 9:30. Course duration is 10 weeks, including recording studio field trips and demonstrations.

Total course hours—60,

Registration fee—\$75.00

Tuition fee—\$300.00

call or write:

**institute of audio research inc.**

156 fifth avenue, new york, new york 10010  
212-242-1915



Circle 23 on Reader Service Card



# total tape duplicating with "BUILDING BLOCK" simplicity

## CASSETTE TO CASSETTE, REEL TO CASSETTE, REEL TO REEL

The Telex series 235-1 is more than just another tape duplicating system. It is a concept based on modular "building blocks" which complement each other and provide total flexibility for tape duplicating. It solves the problems of interfacing between open reels and cassettes. It is a system designed for future expansion. Engineered to make tapes of true, professional quality. And it's priced within your budget.

The Telex system consists of only five basic units.

1. Solid state modular electronics containing amplifiers, meters and controls. This unit works with any combination of ten cassette or reel slaves.
2. Cassette master play transport.
3. Open-reel master play transport.
4. Cassette slave record transport. Records three cassettes simultaneously.
5. Open-reel slave record transport.

The five units are totally compatible. Intermix cassette and open-reel master or slave transports to suit your duplicating requirements; cassette to cassette, reel to cassette, reel to reel, or even cassette to reel. All units fit into table top consoles of uniform size so when your requirements change, you just add more units. It's that simple. Telex series 235-1 is heavy duty equipment with hysteresis synchronous motor tape drives, momentary push button controls and time delay circuits for smooth, positive tape handling. Selected premium grade duplicator heads provide long life and excellent frequency response. And fail safe, automatic features enable non-technical personnel to operate the system efficiently. Telex "building blocks" make a totally flexible and complete duplicating system. It's the sensible approach, designed to meet your needs today, next month and in the years to come. Made in the U.S. to professional standards.



Solid State Electronics. Bias oscillator module and two or four channel amplifiers.

Open Reel Slave, 7.5 - 15 IPS. Full track. Half track 1 or 2 channel. Quarter track 2 or 4 channel.

Cassette Slave, 3.75 - 7.5 or 7.5 - 15 IPS. Half track 1 or 2 channel. Quarter track 2 or 4 channel.

Open Reel Master, 7.5 - 15 IPS. Full track. Half track 1 or 2 channel. Quarter track 2 or 4 channel.

Cassette Master, 7.5 - 15 IPS. Half track 2 channel. Quarter track 2 or 4 channel.

PRODUCTS OF SOUND RESEARCH

# TELEX®

COMMUNICATIONS DIVISION

9600 ALDRICH AVENUE SOUTH • MINNEAPOLIS, MINNESOTA 55420

CANADA: DOUBLE DIAMOND ELECTRONICS, LTO., 34 Progress Avenue, Scarborough 4, Ontario  
EXPORT: ROYAL SOUND COMPANY, INC., 409 North Main Street, Freeport, N.Y. 11520

TELEX COMMUNICATIONS DIVISION  
9600 ALDRICH AVE. SO. • MINNEAPOLIS, MINN. 55420  
DBS  
PLEASE SEND INFORMATION ON DUPLICATOR.

NAME \_\_\_\_\_

TITLE \_\_\_\_\_

INSTITUTION \_\_\_\_\_

ADDRESS \_\_\_\_\_

CITY \_\_\_\_\_ STATE \_\_\_\_\_ ZIP \_\_\_\_\_

Circle 24 on Reader Service Card



WE CALL IT  
**SUPERMIKE**

### The Beyer M.500

**You'll call it a revelation. For you've never used a microphone quite like the M.500. It combines the sharp attack of a condenser and the sturdy reliability of a moving coil with the unduplicatable warmth of a ribbon. And at \$100, it may be the best investment you'll ever make. Complete technical specifications available upon request.**

**Another innovation from Beyer Dynamic, the microphone people**

Revox Corporation  
155 Michael Drive, Syosset, N. Y. 11791

Circle 27 on Reader Service Card

John M. Woram

# THE SYNC TRACK

## More On Four

● Remember when an A-B switch had only two positions? Most of them still do in fact. Even on a rather involved 16-track recording console, you either listen to the console output or the tape.

Now, along comes quadraphonics (or whatever you call it), with its encoders, decoders, matrices, phase shifters, and such. An A-B switch at once becomes a lot more complicated. Just think of all the things you now want to monitor. (Maybe *want* is a poor choice.) Anyway, there's;

1. The discrete four channel output of the console.
2. That output, encoded down to two tracks.
3. The encoded output, decoded back to four channels.
4. The encoded master tape.
5. The encoded master tape, played back through a decoder.

And, if you're also going to be making discrete four-channel tapes

too, you will want to be able to tape monitor them, without benefit of any encoder/decoder systems.

The A-B-C-D-E switching system should permit you to easily A-B between any two conditions, without having to pass through intermediate conditions. For example, at first you will want to compare the discrete four-channel console output (1) with an encoded/decoded combination (3). Once you have established this, you will want to verify that the program sounds presentable in its encoded form (2). Then, as you begin making the encoded master tape, you will want to listen to it, either in its encoded or decoded format (4 or 5).

The necessary switching isn't really that complex, although we can make it seem so by first drawing a truth table listing all the possible combinations. In the table, a 1 indicates the appropriate switch is on, a 0 indicates that it is off.

Condition	Console Out	Tape Out	In	Out	Encode	Decode	In/Out & Encode/Decode Disabled	Disabled
1	1	0	when monitoring console out, these positions are irrelevant				0	0
2	0	1	1	0	1	0	0	0
3	0	1	1	0	0	1	0	0
4	0	1	0	1	1	0	0	0
5	0	1	0	1	0	1	0	0
6	0	1	0	0	0	0	0	1
		Switch 1	Switch 2		Switch 3		Switch 4	

TRUTH TABLE FOR MONITOR SWITCHING SYSTEM

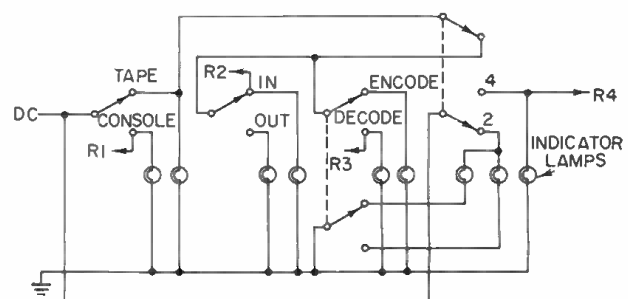


Figure 1. A remote relay switching system.



Use this coupon to order your  
Miida MC/800 Personal Electronic

# Calculator

...the engineers' electronic slide rule

## TIMEKEEPER

P.O. Box 835, Great Neck, N.Y. 11021  
Please send check or money order.  
N.Y. residents add 6% sales tax.

Name \_\_\_\_\_

Address \_\_\_\_\_

City \_\_\_\_\_ State \_\_\_\_\_ Zip \_\_\_\_\_

Beautifully styled, the MC/800 is ideal for office, shop, school, laboratory or home use. It adds, subtracts, multiplies and divides at a calculating speed of 0.3m sec. Compact and silent in operation, the MC/800 is a reliable, high-quality instrument that sells for considerably less than calculators of inferior quality. We have checked this product carefully and can recommend it without hesitation.

8-digit entries and answers for all operations / floating decimal point / chain and mixed calculations / overflow indicator / 110 VAC, 50-60 HZ (conversion to 220 V can be made) / 2½" h x 6¾" w x 9" d / weight 3.3 lbs / One year warranty—factory service available in New York and Los Angeles.

only  
**\$199.50**  
(includes shipping)



Circle 28 on Reader Service Card

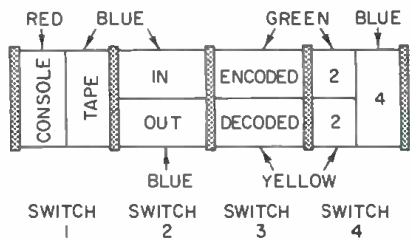


Figure 2. The physical layout of an indicator-switch system.

From the truth table, we see that all possible conditions can be met with four on-off switches. The first will switch between *console output* and *tape*. Once we have selected *tape*, the second switch will let us monitor the *tape input* or *tape output*. (Remember that *tape input* is no longer the same as *console output*, since the *tape input* is preceded by the encoder). Switch three enables us to monitor either the *encoded* or the *decoded program*, and the fourth switch gives us the output of a discrete four channel tape, if this is required.

It might be easier to wade through the switching system by starting with a look at the physical appearance of

the switches themselves. In this case (FIGURE 1) they are Switchcraft alternate action switches. Depressing the first switch gives us *console out*. In this condition, the positions of the next two switches are irrelevant, therefore regardless of their positions, their indicator lamps are off. Depressing this first switch again gives us *tape*, and the indicator lamps in the second and third switches, come on, showing their conditions. We may now select *tape in* or *tape out* on switch two, and in either case, the *encoded* or *decoded* program on switch three.

The fourth switch disables switches two and three, transforming switch one into a simple A-B switch between *console out* and, in this case, the output of a discrete four-channel tape machine. You might even label this switch *discrete/indiscrete*, rather than 4/2. When this switch is in the 2 position, the indicator lamps are further controlled by switch three, so that only the legend 2 immediately to the right of the appropriate *encoded* or *decoded* legend is illuminated.

FIGURE 2 shows the wiring of the four switches. FIGURE 3 shows the actual wiring of the monitor switching system. The four inputs to the encoder are patched into the *console out* jacks. This does not lift the outputs from the console, consequently a discrete four-channel program is still

fed to the inputs of the four-track recorder, if this is required (IV<sub>1,2,3,4</sub>). The two outputs from the encoder should be patched into the inputs to the two-track recorder. (II in). This action does lift the regular console outputs from the two-track machine.

Relay 4 selects the output of either the four- or the two-track machine. Selecting the four-track machine automatically turns off relays 2 and 3, therefore all four outputs of the four-track machine appear at the *tape* position of relay 1, transforming it into a simple A-B switch. The blue legend 4 appears on switch four. all other lamps are extinguished, except for the appropriate function on switch one, and we can tape monitor a discrete four-channel program.

By selecting the two-track machine, switches two and three are re-activated, and are illuminated according to their mode. Once *tape* has been selected on switch one, the operator may monitor *tape in* or *tape out* by depressing switch two, and may listen to either mode in its *encoded* or *decoded* format via switch three.

Note the location of the two decoder inputs and the four outputs. The lines that are lifted by the action of patching in the decoded outputs might be eliminated, since they will be used rarely, if ever. ■

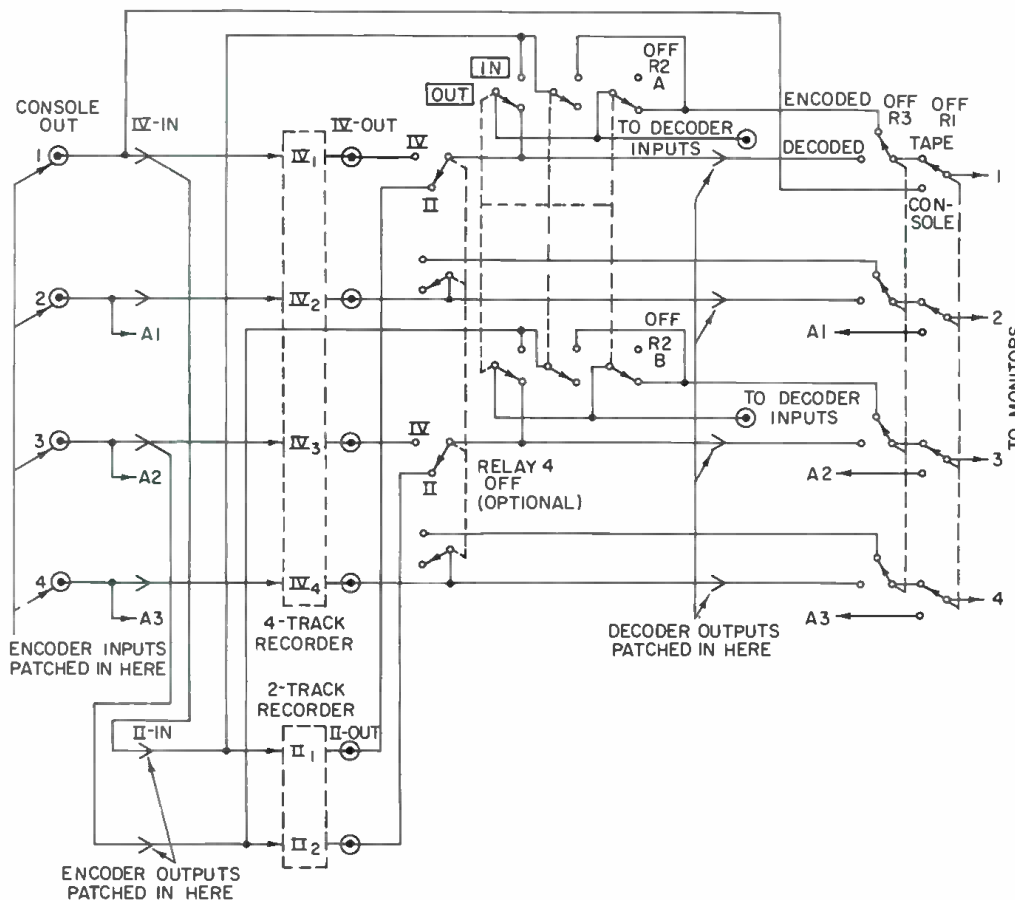
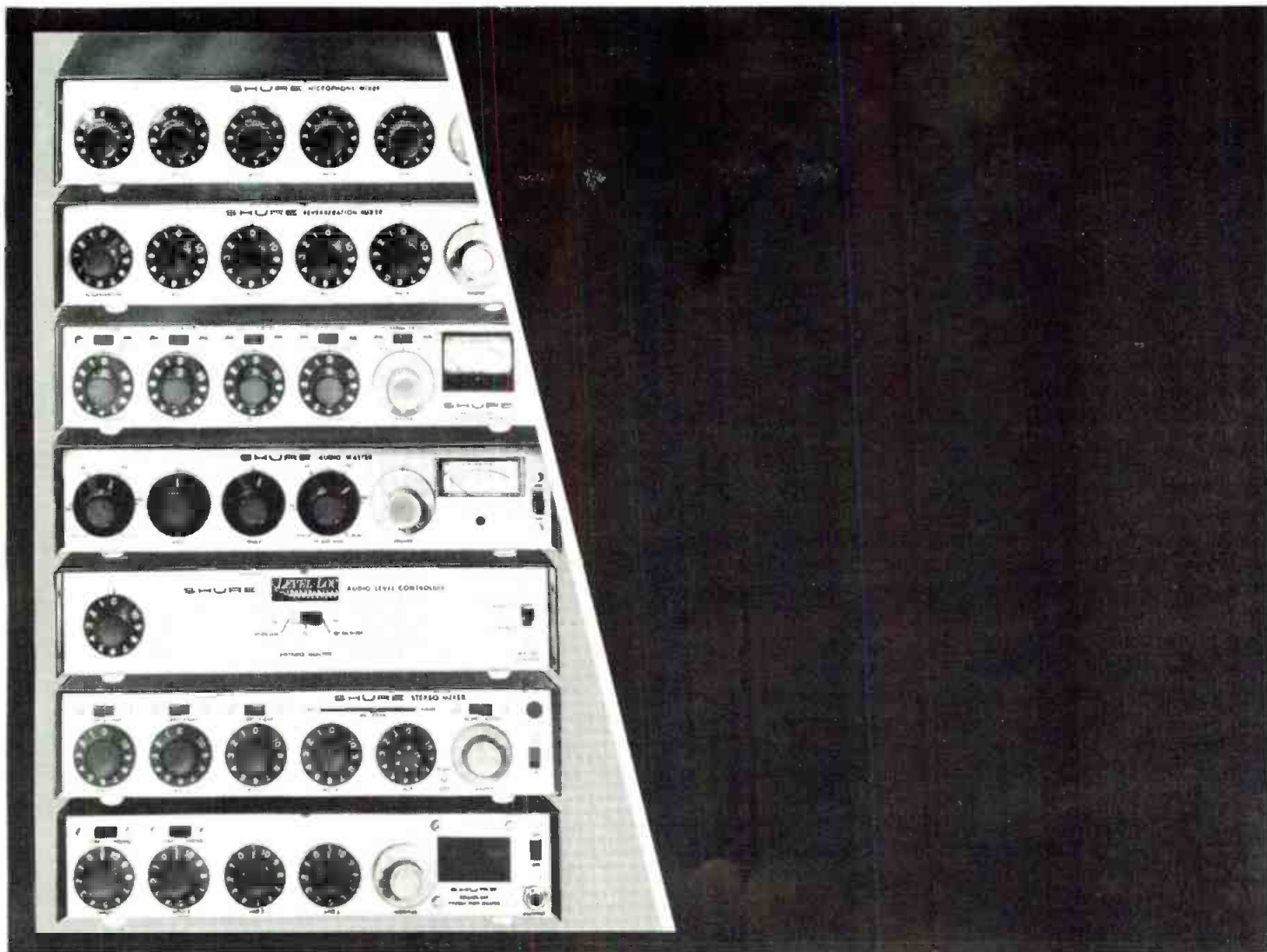


Figure 3. The monitor switching system for a four-channel mixing room. A non-lifting patch point is shown as ○ and a lifting patch point is △.





## The Magnificent Seven



We've been hearing unsolicited rave reviews from soundmen across the country concerning our seven ingeniously versatile problem-solving audio control components (1) *M68 Microphone Mixer*, vanguard of the low-cost, high-performance portable mixers; (2) *M68-RM Mixer*, with built-in reverb for vocalists and special effects; (3) *M67 Mixer*, the trail-blazing low-cost professional mixer; (4) *M63 Audio Control Center*, that gives you variable response shaping; (5) *M62V Level-Loc*, the audio level controller that automatically limits output level; (6) *M688 Stereo Mixer*, made to order for stereo recording and audio-visual work; and finally, (7) *M675 Broadcast Production Master*, that teams up with our M67 to give a complete broadcast production console (with cuing) for under \$325. Write for the new Shure Circuitry catalog that shows them all:

Shure Brothers Inc.  
222 Hartrey Ave., Evanston, Ill. 60204



Circle 15 on Reader Service Card

**your  
NORTRONICS  
distributor is  
the best source  
for professional  
tape heads!**



Nortronics . . . world's leading designer and manufacturer of magnetic heads . . . offers the precise replacement head for virtually every professional recorder . . . heads that provide outstanding performance, longest life and easy replacement with minimum downtime.

Nortronics' distributors stock the 'right' replacement head for your professional recorder—be it Ampex, Magnecord, Scully, Concertone, Gates, Crown, RCA, ATC, Collins, KRS, Macarta, MCI, Tape-A-Thon, Sparta, Tapecaster—or any other!

See your Nortronics distributor today for professional reel-to-reel or cartridge head requirements. He also carries a complete line of Nortronics accessories and offers head relapping services.



world's leader in magnetic heads

**NORTRONICS**

COMPANY, INC.

6410 Wayzata Blvd.  
Minneapolis, Minn. 55416  
(612) 544-0381

In Canada  
Len Finkler, Ltd.  
25 Toro Road, Downsview, Ontario  
(416) 630-9103

**Norman H. Crowhurst**

## THEORY AND PRACTICE

● So far, every issue of this column has related either to electronics or to transducers of the type used for microphones and loudspeakers. There is another type of transducer of which many are used in audio, and which unfortunately gets very inadequate mention in most electronics or audio courses. In consequence, many audio engineers are quite inadequately informed on the subject. I refer to motors.

One is apt to think other people (at least those with professional training) know what we learned during our own training and I have had several occasions to realize that this is not so. When I received my technical education, there were no electronics courses, as such, and audio had not been heard of at all. So the way by which my vintage arrived was by taking the old "heavy" electrical courses, and much later specializing in the "light" stuff, that eventually became electronics.

Generally speaking, I would say that the change in approach is an improvement: the old heavy courses were that in more than one sense; on the other hand, an electronics or audio man can sometimes benefit by knowing a little more about motors than the simple fact that volts and current go in and turning comes out!

Of course, most do know a little more than this. They know, for example, that an animal called a hysteresis-synchronous has some advantages for some particular jobs. But beyond that, their knowledge gets a little vague. Undoubtedly the curriculum of people who ultimately become

motor designers has changed a lot since I was in school but, as they say, the essentials have not changed. Mostly, available materials have changed perspective, or emphasis.

In our days, we started learning about series and shunt wound motors and generators, which means that the field was obtained by means of a coil connected in a series or shunt, respectively, with the rotating armature. Today, few small motors possess a field winding at all, because the newer permanent magnet materials have made it much more feasible to use permanent-magnet fields.

So the simplest motor to understand is probably the d.c. one that has a permanent-magnet field, with an armature connected to the d.c. supply by means of a commutator, that keeps changing connections to the armature winding as the latter rotates.

Such a machine also works as a dynamo, or generator and thinking of it first this way helps understand its function as a motor. If you turn the armature by mechanical force, the voltage (the text-books call it EMF, or electro-motive force) generated is strictly proportional to the rpm at which it is turned.

When a voltage is applied to the machine, so it works as a motor, the current that flows is due to the difference between the applied voltage and that generated by the motor's turning. Current in the armature is the direct cause of mechanical torque. So if the motor is turned artificially at a speed to generate the same voltage as that applied, no current will flow, and

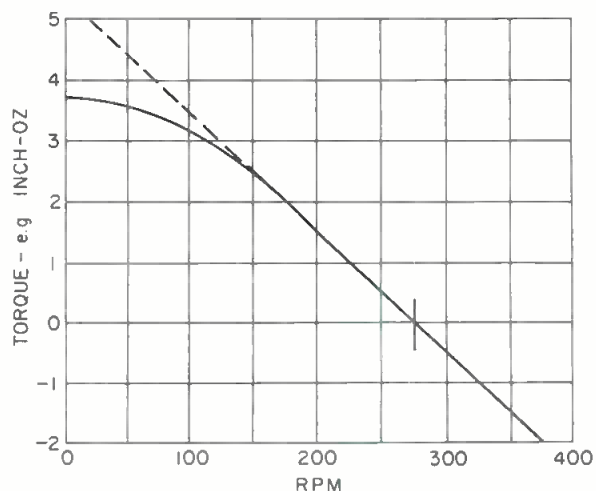


Fig. 1. Torque/speed curve for a permanent-magnet d.c. motor. The negative torque region represents a hold-back effect when the motor is mechanically driven faster than the mechanical balance point, when it really acts as a generator.



# ALTEC'S NEW REALTIME AUDIO ANALYZER



**A major price breakthrough at \$3018\*!**

The same acoustical display that you get with instruments costing many thousands of dollars more is yours with the new Altec model 8050A Real Time Audio Analyzer. Altec quality, through and through, this fine precision instrument offers you these important features.

Frequency range: 40 Hz to 16 kHz in 27 contiguous 1/3 octave bands.

Dynamic range: (3.16 mV to 3.16 V rms)

Display range: 20 dB on self contained 1½" high by 2½" wide cathode ray tube screen. Continuously adjustable by means of a front panel control.

Detection Mode: RMS SLOW or RMS FAST  
The dynamic characteristics are in accordance with IEC 179.

Detector accuracy: For tone burst signals with crest factors of less than or equal to 3:±0.5 dB with respect to the steady sine wave indication. For Gaussian random noise ±0.2 dB with respect

to steady sine wave indication.

Input: Input impedance is 100 kilohms. For steady sine wave signals the preamplifier will accept levels up to 30 dB above full scale indication

Scanning: Internal scan covers the 27 channels in approx. 30 ms.

Dimensions: 16¾" wide, 5" high, 11" deep. Weight: 18.7 lbs.

This instrument is available FOB your nearest Altec Acosta-Voicing Sound Contractor where you may see it in action. Fill out the coupon and we'll send you his name and address and complete details.

\*Plus appropriate taxes.



ALTEC DIVISION OF LIV LING ALTEC, INC.

To: Altec, Attention Don Davis  
1515 S. Manchester Ave., Anaheim, CA 92803

Please send me complete information — including a specification data sheet — on the new Altec 8050A Real Time Audio Analyzer.

Also, send me the name of the nearest Altec Acosta-Voicing Sound Contractor where I can see the new 8050A in action.

DBS-11

name \_\_\_\_\_

company affiliation \_\_\_\_\_

address \_\_\_\_\_

city \_\_\_\_\_

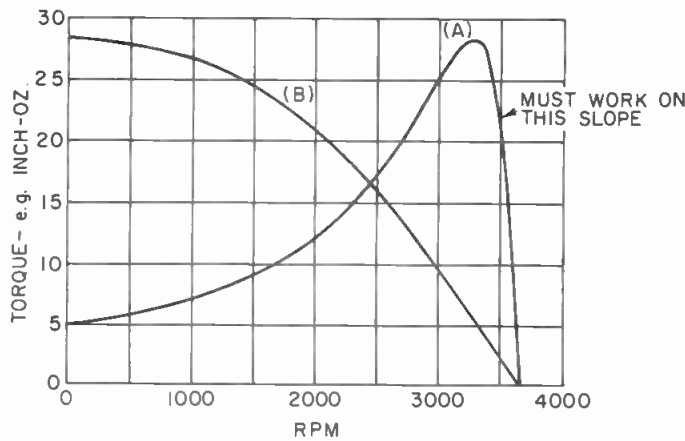
state \_\_\_\_\_

zip \_\_\_\_\_

The world's largest exclusive manufacturer of sound equipment: stereo components & speaker systems, complete public address systems, broadcast & recording equipment, musical entertainment equipment, telephone products, and intercom systems.

Circle 20 on Reader Service Card

Fig. 2. Two possible torque/speed curves of an a.c. induction motor: (A) Where the rotor reactance is 10 times rotor resistance; (B) where rotor resistance is equal to rotor reactance. Each is at supply frequency.



there will be no torque: the motor will just float.

As the speed of rotation falls below this floating speed, more current flows, depending on the drop in self-generated voltage below applied voltage, and the motor's armature resistance. Thus, for a given applied voltage, the speed/torque curve of a d.c., permanent-magnet motor would look like FIGURE 1. The straight, dashed line is an ideal characteristic. In practice, the high current at low speeds somewhat offsets the permanent magnet's field, so the solid curve is a typical practical characteristic.

A motor needs some torque to make it turn, to overcome friction,

and some more to do whatever work it is called upon for, which is why the motor was needed in the first place. If it is used in a tape recorder, then its work is to move the tape. So the motor's speed drops just enough to draw sufficient current to produce the total required torque.

Now suppose that supply voltage changes. The no-torque speed will change in direct proportion to the voltage. If 3 volts would produce the equivalent of 4.2 inches per second tape speed with zero torque (and thus no tape to move) and 3.75 inches per second when actually moving tape, dropping the voltage to 2.5 volts would drop the no-torque speed from

4.2 in/sec to  $2.5/3 \times 4.2 = 3.5$  in/sec, which would drop about the same amount (not percentage), to about 3.05 in/sec when actually moving tape.

What this says is that, to use a d.c. motor for constant speed, the d.c. voltage needs quite precise controlling.

Motors that use a.c. bring in a whole new set of theory and facts. The earliest a.c. electrical machines were synchronous: they used a d.c., or permanent-magnet (except that in those days, good permanent magnets were difficult to come by) field, and supplied the armature with a.c. direct, without a commutator to keep switching it.

Although such machines did not need a commutator, they did need some means, usually slip-rings, to get current into and out of the rotating windings. And slip rings need not much less maintenance, because of sparking, than do commutators and their brushes. So the step that brought in a whole new range of a.c. motors was the advent of the induction motor. This combines the function of a transformer and motor in the same machine.

The rotor, or armature is built very like that of an earlier type motor, except that it does not use either commutator or slip rings for making external connections to the winding on the rotating core. Instead the winding is completed on the rotating assembly so that voltages induced in the rotor windings, by inducing currents in the stator windings, are accompanied by currents in the rotor.

These currents in the rotor then react with the field of the stator to produce rotational torque like any other motor. To cut short on the theory and get to the practical relationships, speed of rotation is basically fixed by frequency: if the rotor turned at the equivalent of synchronous speed, no currents would flow in it—and there would be no torque either.

So torque in an induction motor, like that in the d.c. motor, depends on it turning at less than this no-torque speed. On the d.c. motor, the speed is determined by voltage (along with magnetic field and number of turns in the windings.) On the a.c. motor, speed is determined by frequency and the number of poles produced by the stator windings. In each, the existence of torque depends on the motor running below this speed.

But the way in which torque produced by an induction motor varies as speed drops varies according to characteristics of the rotor windings. The amount by which speed falls below synchronous, or no-torque speed, is



## THE XEDIT-2

**the finest 2" tape splicing block you can buy**

- Small holding ridges will not crimp the tape when it is removed
- Razor blade fits snugly—makes a straight, neat cut
- Tough aluminum alloy with clear, anodized finish
- Custom-machined to extremely close tolerances
- Cork backing—no slippage
- 7" x 3" x 3/4"

Sold exclusively by TIMEKEEPER on a 100% money back guarantee. You must agree that this is the best 2" tape block you have used or you may return the unit for a full refund.

N.Y.S. residents add 6% sales tax

**Price: \$80, postpaid**  
(45° cut is optional at \$5 additional)

**TIMEKEEPER** P.O. Box 835 Great Neck, N.Y. 11021

Circle 25 on Reader Service Card



---

# Here's what 8 FM station engineers said about the Bang & Olufsen SP-12 cartridge:

---



**WVCG/WYOR Coral Gables, Fla.**

...this excellent cartridge is ideally suited for professional applications. SP-12 would be a good choice for the new quad-4 channel-stereo discs.

**KBUC San Antonio, Texas**

The cartridge is without a doubt the "Rolls-Royce" of the broadcasting industry!

**KRBE Houston, Texas**

Low's and hi's came through very impressively over entire audio range. The SP-12 is an excellent cartridge surpassing both the Shure V-15 and the Stanton 681EE in all respects in my tests.

**WKJF-FM Pittsburgh, Pa.**

Tracking, so far, has been excellent. SP-12 has been used "on air" 7 hours a day since received and not stuck or skipped yet.

**WEMP Milwaukee, Wis.**

We appreciate the wide-range response without the harsh "edge" that so many cartridges add to the sound.

**KDIG La Jolla, Calif.**

An excellent cartridge, none better on the market today.

**KBAY San Jose, Calif.**

Up 'til now the Shure V-15 type II has been our favorite for critical listening. After installing the B & O cartridge in the shell the Shure cartridge was in, we've left it there. It sounds great!

Exceptionally clean, undistorted, pure sound. One London Phase Four recording in particular has always broken up during a highly modulated passage, we assumed the record was over-modulated, until we played it using the B & O cartridge.

**KMND Mesa, Ariz.**

If there could be any comment at all, it would have to be that the cartridge seemed to display a very smooth and pleasing sound, a very flat and very clean, clear and brilliant response. The separation is very good and both channels are quite consistent on response.

Write for a report of  
FM Station Engineer  
Evaluation

**SP-12 Cartridge  
\$69.95**



# Bang & Olufsen of America, Inc.

525 East Montrose Ave., Wood Dale, Illinois • In Canada: Musimart Ltd.

Circle 26 on Reader Service Card

[www.americanradiohistory.com](http://www.americanradiohistory.com)

# THE FEEDBACK LOOP

called *slip* and it is given in percentage. Thus a 2-pole motor, for 60 Hz, will have a no-torque speed of 3600 rpm. That is zero slip. If the motor runs at 10 per cent slip, that is 90 per cent of no-torque speed, or 3240 rpm.

A good husky winding, of lowest possible resistance, will have more reactance than resistance, at the working frequency (60 Hz). If the resistance of the rotor winding is one tenth of its reactance, maximum torque will occur at one tenth slip, or 90 per cent of synchronous speed. This is the bottom of the safe working range.

If speed on load drops to this maximum torque speed, the motor will stall, because the torque at all lower speeds is less than at this point. The only way such a motor will continue to run and drive its load, is to keep it running above the maximum torque speed (FIGURE 2).

The advantage of a motor with a low-resistance rotor is that it develops a relatively high torque at a speed not much below synchronous. This means that its speed will not vary much with the mechanical load applied to it, unless it is loaded hard enough to make it stall.

The disadvantage is that it must be loaded lightly enough so that it can start with the low standing-start torque, or else it must be started without the load on, and have the load connected (e.g. by a mechanical clutch) after the motor has run up to speed.

Most commercially-built induction motors have this kind of characteristic. But they can also be built to have a maximum starting torque. This is done by making the winding resistance equal to its reactance at the supply frequency. The simplest way to achieve this is to use a much more "skinny" winding than the other variety, with a more husky core, except that it has some air gaps in its periphery to limit inductance. That's the motor designer's art, so we won't get into details.

A motor built this way has maximum starting torque, which trails off to nothing by synchronous speed. Its speed constancy is poor, because the least load change will vary it. But it is a feasible, low-cost way to provide fairly low-torque at variable speed, with a good start-up torque, which could be used for the take-up spool of a tape recorder. True it will not provide constant take-up tension, throughout the radius variation at which the tape feeds onto the spool, but it could come closer to that than a slipping-belt drive.

That's about all we have space for now. We will pursue the matter of motors and drives next time. ■

● Last month I discussed the generation of intermodulation distortion by a square function, and the generation of third harmonics by a cube function. In these discussions I did not say anything about the gain of each of these functions. We can relate the gain of the basic linear function to the gain of the distorting functions. Any audio device, be it electrical, acoustical, or mechanical, can be represented by the generalized block diagram shown in FIGURE 1. Here we have the input of each of the functions fed by the same signal, and the signal output is the combined outputs of all the functions. Harmonic generation is an infinite series but we will only go up to the cube generator, which for most purposes will tell us all we want to know. Each function has a coefficient. We will assign the linear function the coefficient  $k_1=1$ . The coefficients of the square and cube generators are  $k_2$  and  $k_3$ . We can now catalog four systems.

- an ideal device where both  $k_2$  and  $k_3$  are zero.
- a device with even order distortion where the distortion generated is directly proportional to the value of  $k_2$
- a device with only odd order dis-

tortion where the distortion is directly proportional to the value of  $k_3$

- a device with even and odd order distortion where the distortion is proportional to the rms value of  $k_2$  and  $k_3$ .

Things can get even more complicated when the coefficients are not constant, as assumed above, but are functions of frequency and other variables.

We can work out a hypothetical system which contains a linear function where  $k_1=1$ , and a square generator with  $k_2=0.1$ . That is, the gain of the square generator is one tenth that of the linear function. If the input is  $\sin \omega t$ , then the output is

$$k_1 \sin \omega t + k_2 \frac{(\cos 2 \omega t + 1)}{2}$$

Substituting the values for  $k_1$  and  $k_2$ , and ignoring the d-c component for this and subsequent discussions, we find that the output is

$$\sin \omega t - 0.05 \cos 2 \omega t.$$

This device then has 5 per cent harmonic distortion. If we used a system with both second and third harmonic distortion, the total distortion would be the rms values of the combined output of both harmonic generators.

Virtually all devices generate some distortion and various approaches are

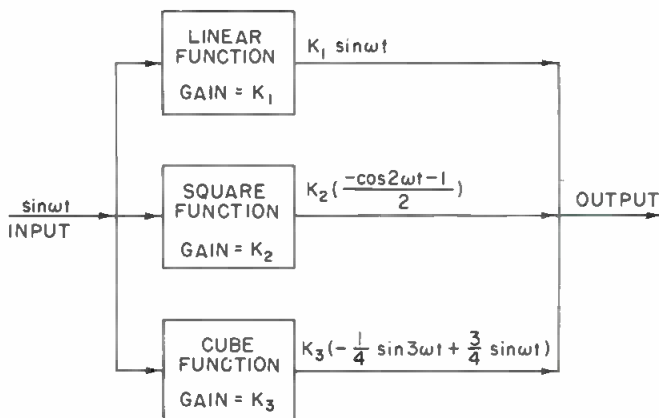


Figure 1. A generalized audio device.



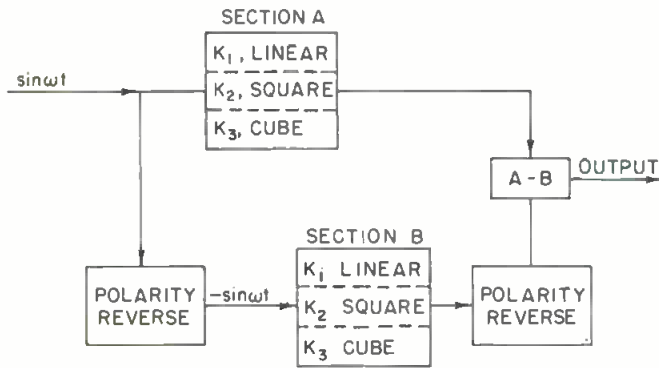


Figure 2. A typical push-pull stage.

used to reduce this distortion when a linear system is the objective. One of these methods is the use of push-pull. A push-pull device can be represented (see FIGURE 2) by two identical stages, A and B, fed by the same signal but with the polarity reversed to one of the stages. Let us assume that each stage by itself generates both second and third order distortion. If stage A is fed the in-phase signal,  $\sin \omega t$ , then the output of this stage will be

$$K_1 \sin \omega t - \frac{1}{2} k_2 \cos 2 \omega t - \frac{1}{4} k_3 \sin 3 \omega t + \frac{3}{4} k_3 \sin \omega t$$

If stage B is fed the same signal as A but with the polarity reversed at the input to B, that is,  $-\sin \omega t$  then the output of stage B would be

$$-k_1 \sin \omega t + \frac{1}{2} k_2 \cos 2 \omega t + \frac{1}{4} k_3 \sin 3 \omega t - \frac{3}{4} k_3 \sin \omega t$$

As expected, the fundamental of B with the  $k_1$  coefficient and the third harmonic have a phase reversal with respect to the output of A, yet the second harmonic of B is still *in-phase* with the second harmonic of A. The output polarity of a square generator is independent of the input polarity, and stems from the fact that  $(X)(X) = (-X)(-X) = X^2$ . Or, to put it in another way,  $-\sin^2 \omega t =$

$$\frac{-\cos 2 \omega t + 1}{2} = \sin^2 \omega t$$

Therefore, regardless of the polarity at the inputs of A and B, the second harmonics will be in-phase. Having derived the outputs of each individual section of the push-pull stage, we then reverse the polarity of section B output and combine it with the output of A. In other words, we perform the operation A minus B.

$$A - B = (k_1 \sin \omega t - \frac{1}{2} k_2 \cos 2 \omega t - \frac{1}{4} k_3 \sin 3 \omega t + \frac{3}{4} k_3 \sin \omega t) - (-k_1 \sin \omega t + \frac{1}{2} k_2 \cos 2 \omega t + \frac{1}{4} k_3 \sin 3 \omega t - \frac{3}{4} k_3 \sin \omega t)$$

$$+ \frac{1}{4} k_3 \sin 3 \omega t - \frac{3}{4} k_3 \sin \omega t) = 2 k_1 \sin \omega t - \frac{1}{2} \sin 3 \omega t + \frac{3}{2} k_3 \sin \omega t$$

We note that the fundamental and third harmonic components add, while the products of the square functions are cancelled, and we arrive at the well known result that a push-pull state eliminates second harmonic distortion.

The design of many electrical, acoustical and mechanical devices make use of this push-pull principal to eliminate second harmonic distortion. It is interesting to note that in disc recording lateral modulation corresponds to a mechanical push-pull stage; stereophonic and vertical recordings are single-ended systems and do have second order distortion. FIGURE 3 shows a lateral recording. We will trace this groove with a stereophonic cartridge and a playback stylus is shown in the groove. The stylus is in contact with groove wall A at a convex section of the modulation and we will assign a positive polarity to the signal induced in the A section of the cartridge. At

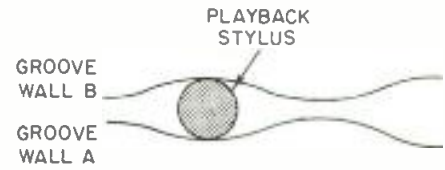
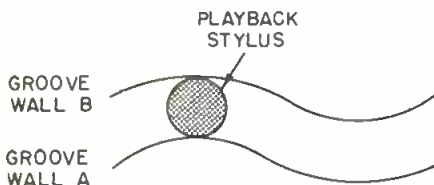


Figure 4. A single-ended mechanical system, vertical disc recording.

the same instant the stylus is in contact with a convex segment of groove B, and we can assign a negative polarity to the signal induced in the B section of the cartridge. The outputs of each section of the cartridge contain harmonics with the same relative polarities as described in our push-pull stage. If the two sections of the cartridge are connected for lateral modulation the B output is subtracted from the A output so that fundamentals and third harmonics add, while second harmonics cancel. If we have a vertical recording (see FIGURE 4) the input to each section are in-phase, that is the concavities and convexities of the groove walls coincide. If we try to subtract the outputs we will find that the second harmonics and the fundamentals will cancel.

Using the "function generator" approach to distortion problems can provide fresh insight. It is (for example) possible to answer with some precision the frequently debated question of the relative magnitudes of harmonic and intermodulation distortion for a given device. ■

Figure 3. A push-pull mechanical system in lateral disc recording.

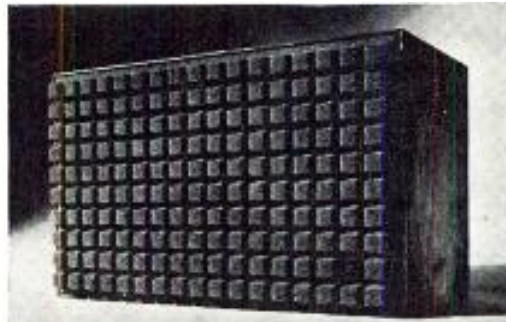


Buy direct and save from the music industry's largest supplier...

**MARTIN AUDIO**

New York's Leading Authorized Distributor of Professional Studio Equipment & Hi-Fi Stereo Components!

Featuring: JBL L100 CENTURY SUPERSHELF



Identical in performance to professional monitor speakers but styled for the home environment with a unique sculptured grille developed by JBL. This acoustic material permits a freedom to exploit texture, color and shape not previously available in the industry and is more acoustically "transparent" than cloth. Come in for demonstration today... you'll be amazed at this new look in sound!

ALL MAJOR BRANDS: Sales/Service/Leasing  
MARTIN AUDIO CORP., 320 West 46th St., N. Y. 10036 • (212) 265-6470

Circle 29 on Reader Service Card

# NEW PRODUCTS AND SERVICES

## SIXTEEN-TRACK RECORDER

● Model JH-16 designates a new 15-30 in/sec speed studio machine that uses a full logic system for tape motion, one and two-inch tape capability, quick-change heads and guides. A servo system assures constant tape tension, the three heads are adjustable for height, zenith, and azimuth. Tape lifter and head shield come into play automatically. All critical componentry is on plug-in circuit boards, equalizers are plug in, and screwdriver adjust access is made for tape tension, idle null, fast forward and rewind speed, reproduce, sync, and record level control, and erase, bias, and equalization trimmers.

Mfr: MCI

Price: \$16,500

Circle 55 on Reader Service Card



## DISC MASTERING COMPUTER

● An American-made computer for disc mastering variable pitch control is now offered. In a matter of hours, variable pitch operation can be added to any Scully lathe with this unit. Accurate control and a linear readout from 50-1000 grooves per inch is possible at all turntable speeds. Pre- and post-echo expansion as well as banding and finishing are completely automatic. The unit can be over-riden for manual operation if desired.

Mfr: Capps & Co.

Circle 54 on Reader Service Card



## VANDAL-PROOF SPEAKER

● A new re-entrant horn loudspeaker that is almost immune to vandal attacks is now available. The APF-15 speaker is designed to completely recess into either wall or ceiling. The unit can also be flange-mounted on a panel or, surface-mounted in a protective enclosure. The 3-7/16-inch deep APF-15 is a high efficiency re-entrant type loudspeaker that both fits directly inside a 4-inch deep interior or exterior wall and flange-mounts with ease to any standard size baffle for 6- or 8-inch diameter speakers. A second version of the unit, the APF-15T, includes a built-in line matching transformer and is 5-3/16-inches deep. Both the APF-15 and APF-15T are completely weatherproof and architecturally harmonizing. They produce a sound level of 121 decibels and, are designed for maximum intelligibility and projection of voice and time or alarm signals. The units are rated 15 watts at full range continuous power.

Mfr: Atlas Sound

Circle 53 on Reader Service Card



## new literature

● McMartin Industries has a completely revised and updated catalog of engineered sound systems showing their equipment. *Circle 60 on Reader Service Card.*

● B & K's short form catalog describes the firm's full line of precision transducers and instrumentation for sensing, measuring, and analyzing all aspects of sound, noise, and vibration. *Circle 61 on Reader Service Card.*

● Two brochures are newly offered by Ampex. Brochure A-554 describes the CD-200 high speed cassette-to-cassette duplicator system and brochure A-555 describes the AD-15 professional duplicator system which copies all major 150 mil and quarter-inch formats. *Circle 62 on Reader Service Card.*

● A cross-referencing guide and catalog to HEP semiconductor replacements is available from Motorola. Included are 1N, 2N, 3N, JEDEC, manufacturers' regular, and special house numbers, with particular emphasis on Japanese types. *Circle 63 on Reader Service Card.*

● Indicator lights, light-emitting diodes, and incandescent lamps are detailed in a catalog newly issued by General Illumination. *Circle 64 on Reader Service Card.*

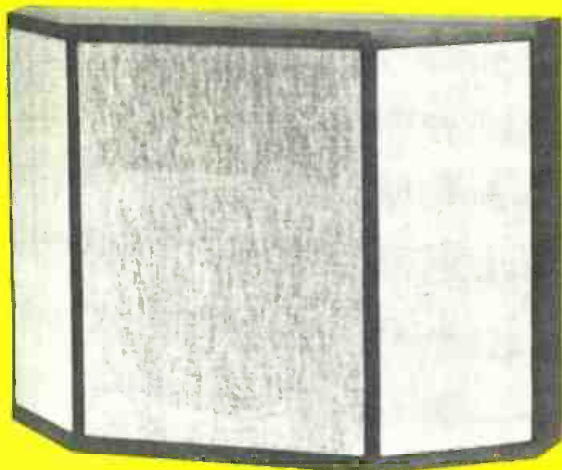
● A "Primer of Plant Noise Measurement and Hearing Testing" is available from General Radio. *Circle 65 on Reader Service Card.*

● Pulse generators are described in a brochure available from Hewlett-Packard. A selection guide is also included. *Circle 66 on Reader Service Card.*

● The Delta-Tau model 101 digital audio signal delay unit is the subject of a four-color, six-page brochure. Applications as well as specs are given in Gotham Audio's release. *Circle 67 on Reader Service Card.*



**STUDIO MONITOR**



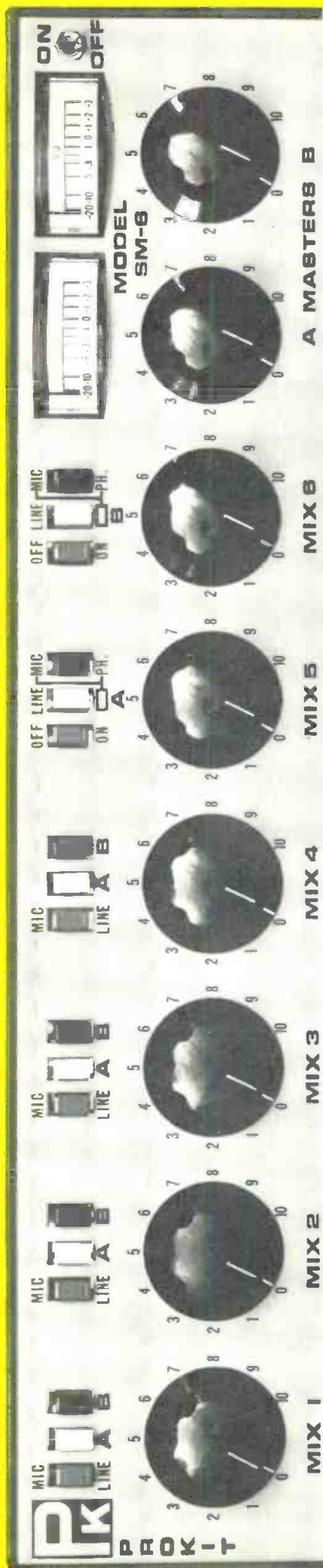
● The AR-LST is the first AR speaker specifically designed as a studio monitor. It utilizes the proven drivers used in this company's AR-3a but uses them in multiplicity to provide both power handling increases and improvements in dispersion. One woofer is used, a total of four mid-range domes and four high-frequency domes complement it. The woofer and two high-frequency domes face forward. Each of the angled side panels contain two mid-range and one high-frequency unit. A switchable autotransformer permits the choice of six acoustical curves ranging from acoustically flat output to various positions of boost or attenuation of lows and highs. The control switch will be placed on the front panel for production models. Efficiency is low, high power amplifiers are required for high output but the fused system will provide high s.p.l. averages. Power handling specifications for which the fuse is set are 1000 watts for 2 seconds, 64 watts for 30 seconds, and 23 watts for long term average. Efficiency is 0.8 per cent. Weight is 90 lbs. Finish will be black wood, but walnut will also be available.

*Mfr: Acoustic Research, Inc.*  
 Circle 52 on Reader Service Card



● A Dolby illustration in the September New Products and Services may possibly have been misleading. What was shown, and is repeated above is a new testing device for 360-series Noise Reduction Processors. The tester will accept a 360-series card for direct plug in and will, by means of two rotary switches, test all the parameters of the card. In addition, the tester also plugs into the 360-series chassis to test it for its functions. When the tests, which take but a few moments, are complete, you know that the complete system is good, or you know in exactly which area a difficulty lies.

*Mfr: Dolby Labs.*  
 Circle 50 on Reader Service Card.



**\$249<sup>00</sup>**  
**KIT**

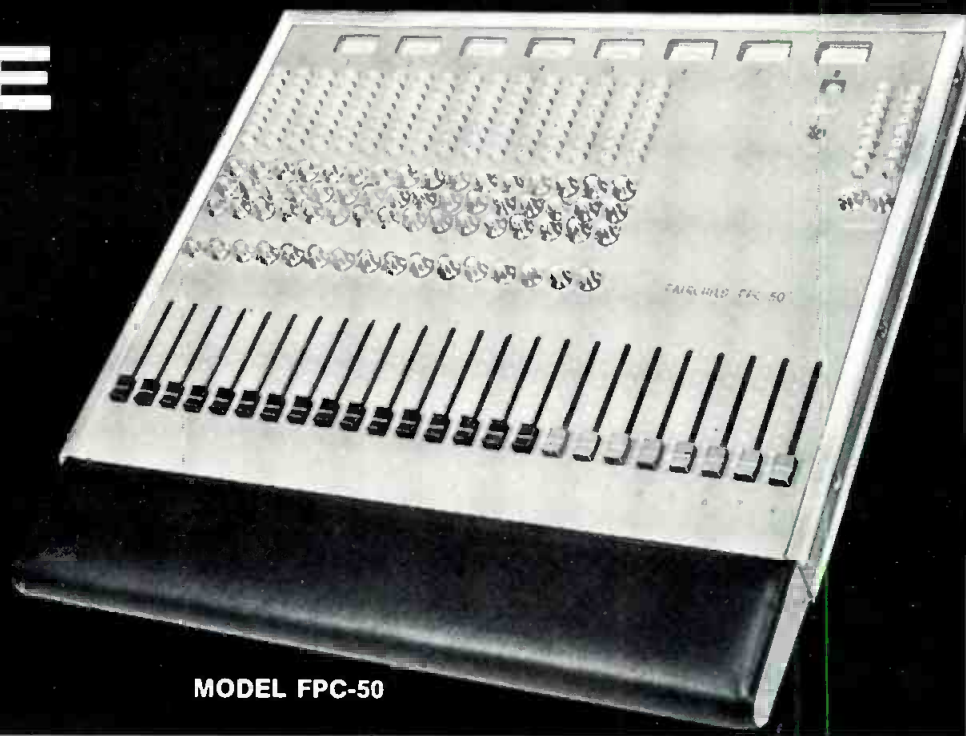
**6 CHANNEL STEREO MIXER—MODEL SM-6**

A professional 6 channel stereo mixer at a price everyone can afford. Noise—127 dbm. Output +20 dbm into 600 ohms. Integral VU meters. Switchable mic preamp gain. IC circuitry. 117 VAC or battery operation. Rack mount or table top. Stack for additional inputs. Switchable low frequency rolloff. Allen Bradley pots. UTC and Triad transformers. Centralab switches. COMING SOON: companion plug-in 6 channel equalizer and plug-in echo unit. Available prepaid @ \$499.00. See your dealer or order direct postpaid from Prokit.

**PROKIT DIVISION, GATELY ELECTRONICS**

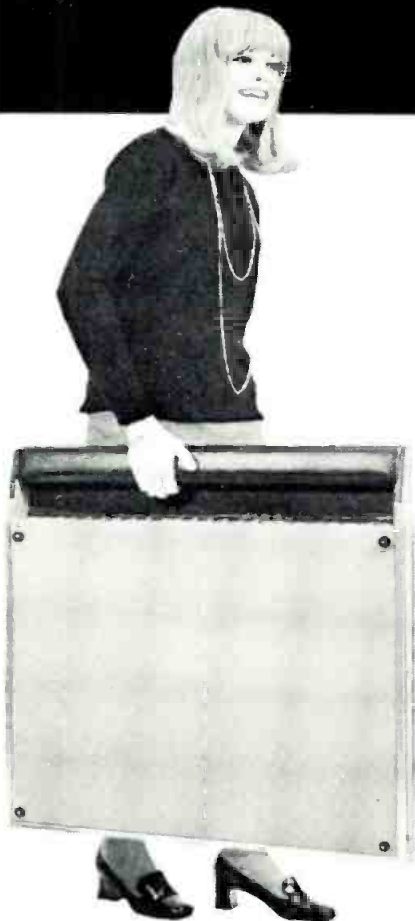
57 WEST HILLCREST AVE. • HAVERTOWN, PA. 19083 • 215-446-1415

# THIS IS THE FAIRCHILD PORTABLE MIXING CONSOLE!



MODEL FPC-50

## TAKE IT TO YOUR NEXT RECORDING SESSION!



In the studio, in the field, or in a mobile sound system you need only one FAIRCHILD PORTABLE MIXING CONSOLE to solve all your complex multi-channel mixing problems.

The FAIRCHILD PORTABLE MIXING CONSOLE is the world's first truly portable mixing console . . . it goes wherever you go! It weighs only 45 pounds complete and is about the size of a suitcase, but only 2" thin. Put it on a desk, table, or stand, plug it into an external power supply or use the battery power source and it's ready to mix up to 16 inputs and 8 outputs including monitoring on each channel. One set of batteries (16 alkaline or ordinary flashlight "C" type batteries), self-contained in the arm rests, will provide 25 hours of continuous operation.

The FAIRCHILD PORTABLE MIXING CONSOLE actually saves you money too! A complete 16-input, 8-output system with monitoring capability costs only \$7990.00. (About \$6000.00 less than a standard console with comparable facilities.)

Outstanding performance, reliability, and durability are assured because the FAIRCHILD PORTABLE MIXING CONSOLE consists of the identical component circuitry which has made FAIRCHILD standard consoles the pacemaker in motion picture, television, radio and recording studios throughout the world.

Take a FAIRCHILD PORTABLE MIXING CONSOLE to your next recording session. The quality is unquestionable, the portability is obvious and, of course, the price is right!

### FIVE MODELS AVAILABLE:

16 inputs	_____	8 outputs
16 inputs	_____	4 outputs
16 inputs	_____	2 outputs
12 inputs	_____	4 outputs
12 inputs	_____	2 outputs

FAIRCHILD PORTABLE MIXING CONSOLES  
from \$4990.00 to \$7990.00.

### SPECIFICATIONS

GAIN	90 db
INPUT LEVELS	-55, -40, -30, -20, +4 dbm
OUTPUT LEVELS	+4 dbm nominal (14 db headroom)
INPUT IMPEDANCE	200 ohms for mic input, bridging for line level
OUTPUT IMPEDANCE	50 ohms designed for loads 150 ohms or higher
EQUALIZER	±15 db control of complete spectrum in 3 db steps with boost frequencies of 2, 3, 4, 7 and 10 kHz
DISTORTION	0.3% THD max (all 50 amplifiers)
FREQUENCY RESPONSE	±0.5 db 20-20 kHz
INPUT NOISE	-125 dbm
INTERCHANNEL SEPARATION	70 db min
POWER CONSUMPTION	0.12 amperes at 24 volts max
BATTERIES	16 - alkaline or ordinary flashlight "C" type
DIMENSIONS	28" x 24" x 2"
WEIGHT	45 lbs. complete
FRAME CONSTRUCTION	All aluminum, covered with engraved Formica

For complete details and performance specifications write to:

# FAIRCHILD

# SOUND EQUIPMENT CORP.

Subsidiary of Robins Industries Corp.

15-58 127th STREET, FLUSHING, N.Y. 11356

Tel. 212 Hickory 5-7200



# Independent Recording Studios—A db Forum

*Another in our continuing series of discussion forums. This one brings together owners and operators of recording studios who sat around a large table and talked about their experiences and operations.*

**D**ON PLUNKETT of Harvey Radio, New York City, recently played host at the new Harvey Audio-Video Center on Madison Avenue to a group of recording engineers. Participating were:

Malcolm Addey	TeleGeneral Recording Studio
Bob Bach	Publisher, <b>db Magazine</b>
Sid Feldman	Mastertone Recording
Steve Katz	Sound Exchange
Ed Kramer	Electric Lady
Bob Lifton	Regent Sound
Walter Sear	Sear Electronic Prod. Co.
Larry Zide	Editor, <b>db Magazine</b>

*Around the table at Harvey Radio.*





*Clockwise from the extreme left, John Woram, Sid Feldman, Bob Lifton, Walter Sear, Malcolm Addey is obscured by Harvey Radio host Don Plunkett, while Ed Kramer has his back to the camera.*

The conversation went for hours, and covered everything from speaker preference to studio rates. The typed transcript is almost book length and the editors have found it difficult—if not impossible—to accurately determine just who said what. To do so would require weeks of research and tape monitoring, and would probably make for duller reading anyway. Accordingly, these pages are more a summary of what was said, rather than a word-for-word repetition of the proceedings.

More often than not, the casual record buyer thinks of recording studios in terms of major labels recording grand opera in some European capital. Indeed, the average hi-fi type magazines rarely mention anything except the goings-on of these big record companies. However, much of the recording work in this country—and in Europe too—is done at independent studios.

But, speaking of recording in Europe, why do so many companies prefer travelling abroad whenever a big recording project comes up? Most of the participants felt that musicians' fees were reason enough to cross the Atlantic. A typical case was a client who was producing a series of educational records encouraging students to study musical instruments in high school. Since the records were to be given away, he requested a lower rate, and when the

*Left to right, the back of Ed Kramer, front of Sid Feldman and Bob Lifton, and side of Don Plunkett.*



musicians' union refused, he went to England, had a great vacation, completed the job, and saved himself more than \$10,000.

In addition to European competition, and the generally poor condition of the economy, it was pointed out just how much elaborate equipment the independent studio operator needs in order to keep up with the competition. If the studio down the block has sixteen-track facilities, with Dolby units, EMT's, and all the other little goodies, you'd better have them too if you plan to compete. Obviously, competition costs money, some of which must be reflected in higher studio rates.

This brings up the other side of the coin. For a self-contained group, an album can cost a fortune in studio costs. For less money, the group may be able to buy a used multi-track tape recorder and a bare-minimum console, which may be nothing more than a resistive combining network. But, they can bring it all home to their pad, loft, or basement, and spend the next six months fooling around until they finally get something worth bringing into the city to mix down. Unless they're quite proficient, it will probably sound wretched, but does that matter? Let's face it, a lot of the current hits certainly didn't make it on good engineering. In fact, some of our panelists were on last year's NARAS committee to select the best engineered records. Some of the entrees were so bad they were *funny*. A very few were superbly engineered. Interestingly enough, the better engineering showed up on albums by Neil Diamond, Elton John, Blood Sweat and Tears, and Simon and Garfunkel. In no case was the committee able to find a record that contained excellent engineering but bad musicianship. Yet we all know that good engineers have often worked with not-so-good musicians (and by all means, the reverse has also been the case). So, perhaps engineering cannot, or should not, be judged independently of musical content.

Maybe there should be another meeting held at sometime to determine just what good engineering is anyway. In any case, it's not what comes out of most people's basements, and the independent studio cannot consider the group with its own equipment as his competition.

Nor does he have to concern himself much with the studios attached to some large record label. Most of these are run by executive types with little or no understanding of the peculiarities of the recording studio, and their facilities reveal this. These days, a studio that looks, and behaves, like an insurance company is just nobody's competition. Most independent operators have always understood this; most large outfits never will.

## **STUDIO RATES**

Most studios have a graduated rate card, with a considerable price differential between mono and sixteen-track recording. Although this certainly seems reasonable at first glance, it does encourage the prospective client to try to think small. There may be little point in charging more for sixteen- than eight-track sessions, since chances are, the same machine will be used. The studio makes its money by the hour, and there are no additional costs involved in sixteen-track work. So, why not make it a little easier for the customer to do a sixteen-track session? By giving him eight more tracks, he'll probably wind up spending more time with you anyway. And even if he doesn't, you're not out anything.

For the one room studio, a significantly lower rate for four-track work can actually put a strain on the operation, since tying up the studio at a lower rate prevents it from being rented at a more profitable figure.

## **RATE CUTTING**

Some studios are trying to bring in business by drastically





Sid Feldman and a smiling Bob Lifton.



Over the shoulder of John Woram we see Walter Sear, Malcolm Addey, and Don Plunkett.

cutting their rates. Although these days that's certainly understandable, most of our participants were in favor of sticking to a published rate schedule, less some reasonable discount for quantity booking. There seems to be little point in competing with cut-rate studio costs unless that's the kind of service you intend to give.

However, if you are going to charge a respectable rate, you've got to be prepared to give the customer first-class, *personal service*. This may include anything from free coffee to a friendly telephone operator when he calls a

month later to fight about his bill.

Again, the independent studios often show the way. With the sophisticated equipment in general use today, most studios can produce good-to-excellent engineering (assuming a competent staff, of course). The distinguishing characteristic of the successful studio is often its pleasant atmosphere—both physical and psychological. An ambience that encourages creative work often means more than an improved signal-to-noise ratio. Once the clients feel *their* success depends on your studio, you can count

**KEPEX™**  
MEETS  
**GAIN-BRAIN™**

A TRUE-LIFE ADVENTURE  
IN THE AUDIO GAME

By  
**ALLISON RESEARCH, INC.**

ONE DAY IN AUGUST...

WHEW! ANOTHER DAY CLEANING UP NOISY TAPES! THEIR AIR CONDITIONER DELIVERS MORE RUMBLE THAN COOL AIR! CAN'T COMPLAIN THO, ITS MY JOB AND I DO IT WELL!

LET'S SEE, TOMORROW ITS SUPER-SONIX STUDIOS AND SOME STEREO EFFECT SYNTHESIZING AND...

**OOF!**

HEY YOU! YA GOT YOUR HEAD UP YOUR... SAY, YOU LOOK FAMILIAR! HAVENT I SEEN YOU BEFORE?

SURE, MAN. I'M YOUR NEW **GAIN-BRAIN!** I'M A LIMITER LIKE YOU WOULDN'T BELIEVE! PEAK AND RMS THRESHOLDS!


I'M GREAT!

SAY, WITH YOU KEEPING DOWN THE NOISE AND ME BRINGING UP THE LEVELS, WE COULD MAKE SWEET MUSIC TOGETHER! WHADAYA SAY, KEY?

RIGHT ON, G.B!

BOOM-CHICKA-BOOM... (SILENCE)  
RAT-A-TAT TAT... (SILENCE)  
BOOM-CHICKA-BOOM... (SILENCE)  
RAT-A-TAT-TATTA-TAT  
TATTA-TATTA TAT  
BOOM... (SILENCE)

THE IMPACT OF THIS MEETING IS JUST NOW BEING FELT BY THOSE LUCKY PEOPLE IN THE AUDIO GAME! WRITE OR CALL FOR FURTHER DETAILS TO:



**ALLISON RESEARCH, INC.**  
7120 SUNSET BOULEVARD  
HOLLYWOOD, CALIF. 90046

(213) 874-6615

Exclusive agent:  
GOTHAM AUDIO DEVELOPMENT CORP. NEW YORK, N.Y.

Circle 30 on Reader Service Card



John Woram (left) and Steve Katz (right).



Ed Kramer makes a point while John Woram listens.

yourself a success.

### THE STATE OF THE (RECORDING) ART

There was some talk about the excellent recordings made before the introduction of the first multi-track tape recorder. If we now need sixteen tracks to create a hit, how come some of those old "two trackers" sound so good?

Since the top-100 business is so dependent on youthful tastes, it's often the case that the hit makers, whether in the control room or the studio, are just too young to have been around in the two-track days. Suggesting that the strings (or brass, or chorus, or what have you) be recorded in classical stereo on two tracks (no less or no more) brings terror to their hearts. They insist on, either all strings on one track (and then maybe double them or, first violins on one track, seconds on another, violas on a third and celli on a fourth track. Either way—from the point of view of good sound—you lose.

Multi-track mono is no substitute for good stereo, but if you have never heard good stereo, you may not be aware of what you are missing. Many engineers and producers have never heard a legitimate classical-type orchestra. Their sole musical experience is with rock groups, and their only exposure to strings or brass is what they have heard over control-room speakers on sweetening sessions. Their product shows it. It's the phenomenon, certainly not unique in the recording industry, of the craftsman misusing his tools. We've certainly all seen old furniture that has already outlasted more modern pieces. The older items, whether tables or tapes, were produced with care by artists who were the masters of their tools. Some newer products have been slapped together by artisans who have neither the time, inclination, and/or knowledge to do better work. If you've been raised on formica and chrome, hand-rubbed finishes may be beyond your experience. If you cut your teeth on a sixteen track head, you may not know what you're missing.

Of course, the demands of a particular recording session may require you to apparently mis-use your equipment. As the panelists pointed out earlier, musicians' time is expensive, and musical decisions often take time. So, if these decisions can *really* be made later (we'll fix it in the mix), time and money can be saved. If the end product is to be a spot commercial or an a.m. radio type single only, there may not be much point in seeking audio perfection. That's one of the facts of life with which we all have to

live. However, a little knowledge of earlier recording techniques can certainly do the engineer no harm, and for quality album productions it can be a positive asset.

### TRAINING THE ENGINEER

Where does a recording engineer get his education? Some schools offer an occasional seminar in recording arts, and there are a few private organizations offering a variety of courses aimed at the would-be engineer. Yet there is no industry-wide standard for qualifying as a recording engineer. Nor perhaps should there be. Unlike many other professions, the qualifications for a successful career in recording are nebulous at best. Some engineers hold advanced degrees, while others have difficulty with Ohm's law. Some are accomplished musicians, still others can't read music. Within our panel, there was a divergence of opinion on which prerequisites a prospective recording engineer should have. One chief engineer may require that all his engineers be proficient in some musical instrument, while another may stress a strong technical background. Yet some successful engineers have neither. Depending on your point of view, it is either fortunate or not so fortunate that successful studio engineering is largely a function of on-the-job training. Like swimming lessons, there is only so much you can learn without getting your feet wet.

### THE BUSINESS OF RECORDING

It was universally agreed by this group that business is not in a serious decline, nor has it been. But what has happened is that cash seems to have vanished. Payment schedules are becoming far worse than they have ever been. Accounts receivable are a universal problem and what is amazing is how many of the delinquent accounts belong to what might be considered prime firms. It was seriously suggested that a percentage fine be attached to delinquent accounts to spur them on (but apparently none of our group is doing this now).

The use of credit cards by clients has been instituted by at least one studio (not represented in our group). Master-Charge is used. Although the bank creates a limit on the amount any one card can charge (usually \$500 or so) several cards held by respective group members can be ganged to pay a bill. It does cut out the problem of delinquency to the studio, at least by the credit card users.

No doubt about it, our group agrees that the independent recording business is a good one to be in. ■



# db Visits—Ultrasonic Recording Studios

**E**LSEWHERE in this issue, a panel of recording engineers discuss the phenomenon of the independent recording studio. These studios are found throughout the country, and range in size from expanded broom closets to large multi-studio complexes. Usually, the independent studio depends entirely on custom business for its success, since more often than not, it does not have its own label.

The 1971 Billboard Directory of Recording Studios contains a seemingly endless listing of studios throughout the country. The pictures illustrating these pages were all taken at an independent studio in Hempstead, Long Island.

Hempstead, Long Island? In case you've never been there, Hempstead is not exactly the recording center of the universe. In fact, it's a good hour away from New York City, which may be a little off-center itself these days.

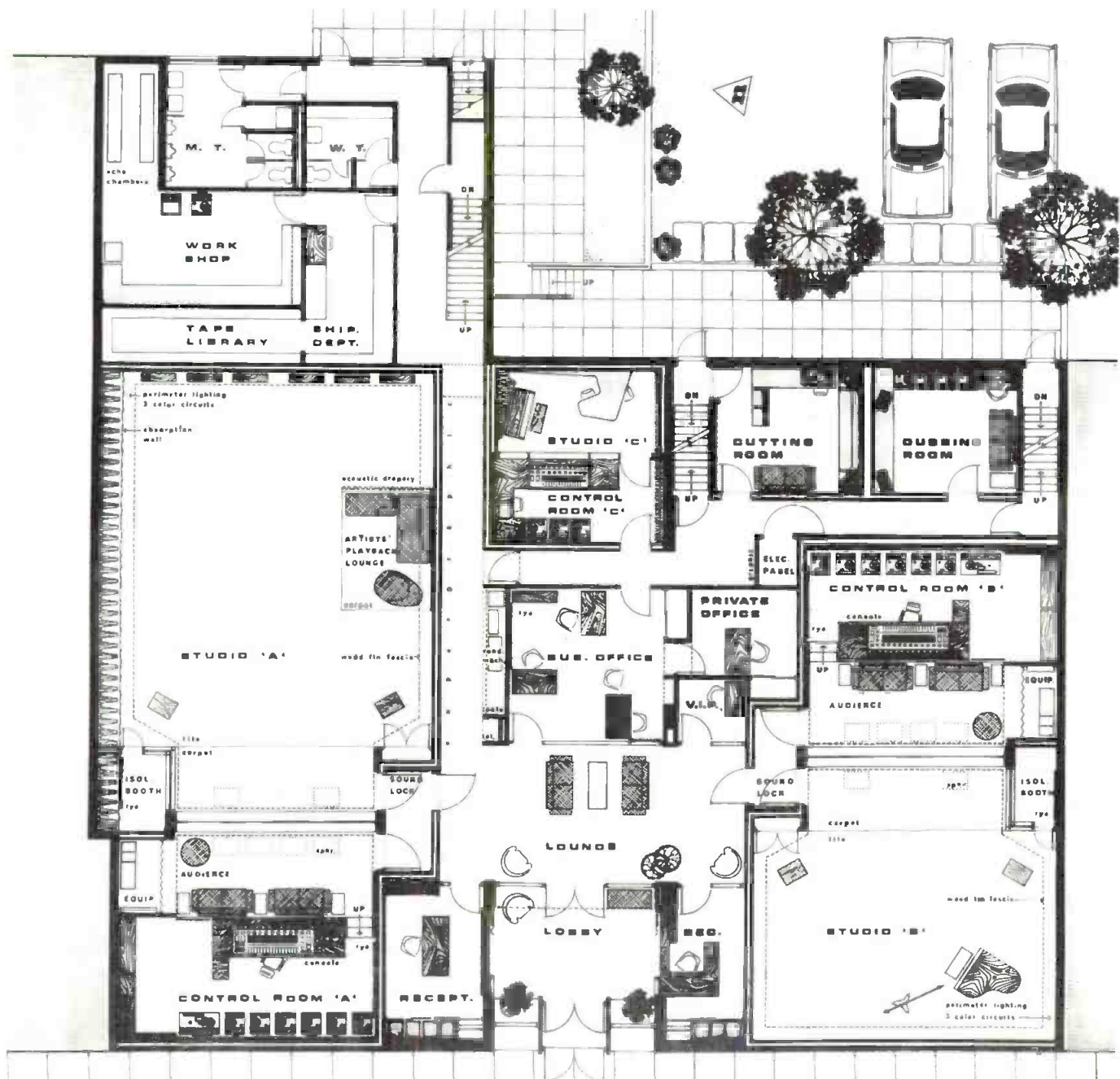


Figure 1. The architects over-all plan for Ultrasonic Recording Studios.

To find out how such an impressive facility could spring up in such an unlikely location, *db* recently visited Ultrasonic Recording Studios in Hempstead to chat with its owner, Bill Stahl.

Some years ago, Bill started out with a few microphones and a tape recorder, recording whatever passed through Hempstead. Eventually, he had a fairly successful operation going, and when Scully announced an eight-track machine, Stahl bought one: Serial Number 1.

At about this time, the self-contained rock group was emerging as a major force in the recording world. Any one of these groups might book a studio for weeks at a time, which in a metropolitan area was (and is) expensive. Not only studio rates, but hotel accommodations, parking fees, and meals contributed to the expense.

Eventually groups discovered their way out of the city, and into suburban studios, such as Hempstead's Ultrasonic. Here, the rates were lower, you could park nearby without having to float a loan, and lodgings were a little more reasonable. Among others, the Vanilla Fudge recorded their *Iron Butterfly* album at Ultrasonic. And, with Fun City being what it is, many studio side men enjoy spending the day away from the smog and the muggings. Furthermore, since some commuting studio musicians live nearby, Ultrasonic may be even more convenient for them than midtown Manhattan.

Earlier this year, Ultrasonic moved from its original location to its new home at 100 North Franklin Street.

At this moment, Studio A is completed, to be followed shortly by Studio C, and later on by Studio B. Studio B's control room will be identical to that in Studio A, so there will be no adjustments necessary in moving from one studio to another. Studio C will be quite a bit smaller, and is intended primarily for educational and documentary work, as well as small demo sessions.

The console in Studio A was built by Herman Bear's Audio & Electronic Consulting Services of Butler, New Jersey. It is a full sixteen track board, with 26 inputs and sixteen echo lines.

Yes—sixteen echo lines, each of which feeds its own spring type unit to supply instant echo to any track, or to the monitor system. When higher quality is required, EMT's are readily available, and future expansion plans include the construction of natural reverberation rooms in the basement.

Like other studios, there is, of course, a window between the control room and the studio. However, unlike most studios, the window is seven feet tall! Visitors seated on the plush control room couches enjoy an unobstructed view of the studio, and musicians have the feeling of being in closer touch with their producer and engineer. The isolation booth also features floor-to-ceiling windows, for better visual communication with both studio and control room.

Ultrasonic's architect is James T. Pepper of Edwards and Malone, Garden City, N.Y.



*Figure 2. Come through the doors from outside into this lovely reception area.*



*Figure 3. An inner lounge has been created for talent and guests to relax within. Entrance to all the studios adjoin this area.*



*Figure 4. The main control room's custom-built board is behind a panoramic view into studio A.*



*Figure 5. Ultrasonic started with Scully machines and has continued with them. The machines are directly behind the console.*

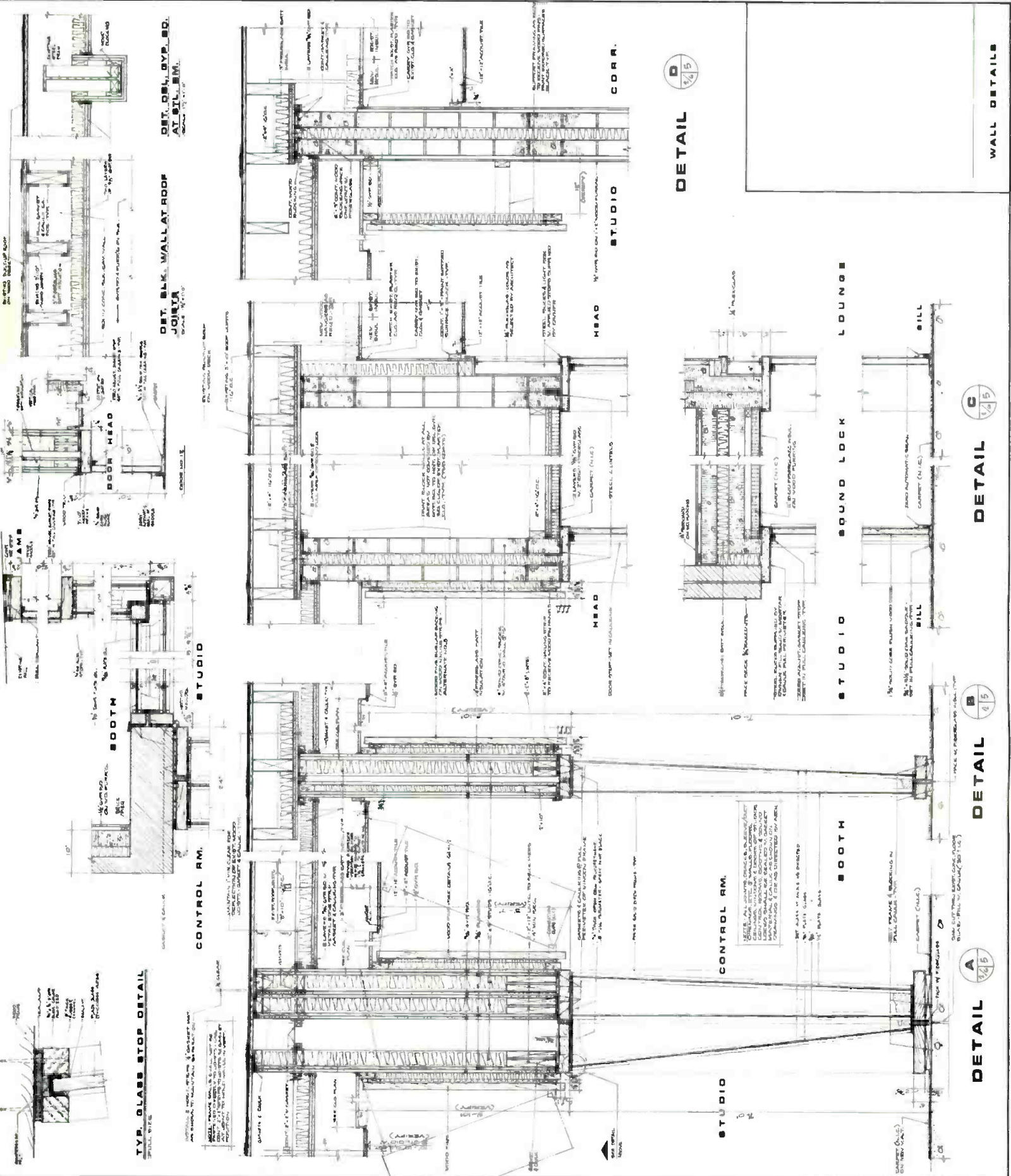


*Figure 6. The huge studio A does not constrict talent and the large glass areas into master control and isolation areas help.*



*Figure 7. It all had to begin somewhere. Ultrasonic in its earlier days (in another place) presented a less uniform equipment impression. Do you recognize everything?*





Details of the inner wall construction of Ultrasonic Studios.

# db Visits—Les Studios André Perry Ltée

**C**HURCHES seem to be a very desirable location for any one in the audio field. Media Sound on New York's busy 57th St. is beautifully housed in what was formerly a church. WBAI, after much searching for a new studio center, finally found new quarters in an ex-church on East 62 St., also in New York City. Both Media Sound and WBAI had to do extensive alterations to make the premises suitable for their requirements, but both are more than happy with the results.

There is something about a church that challenges the imagination—the possibilities are great and the basic structure is usually much better than anything that could be built today.

One of the latest to buy a vacant church for this purpose is André Perry Ltée. in Montreal, Canada. Located in the former Church of all Nations on Amherst Square, it is in the heart of the French area of downtown Montreal. Much of the church's interior had to be stripped

*Figure 1. The original grim lines of the old church have been considerably softened by ingenious touches of flowers and terrace furniture.*





because of the poor acoustics, but as much as possible of the building's flavor has been retained. The doors, for instance, are the original heavy, dark wood doors with stained glass inserts. A viewing room window overlooking the main studio carries the shape of one of the arches that used to frame the pulpit. The original light fixtures (an antique collector's dream) hang from massive beams in the main studio and even the little signs that say "Studio A," or "Terrace" are carved wood with old English lettering. One of the big stained glass windows (unfortunately all the others had to be covered for acoustic reasons) sits in a corner of master control. You get the feeling that somebody "up there" is keeping an eye on you!

Aside from the studios and the mix down rooms, etc., Perry has taken over the third floor, that was formerly the minister's living quarters. With much love (and cash) he has made an extremely charming apartment. He also makes excellent cappucino coffee and doesn't need much prompting to serve his guests.

What makes this studio of particular interest is that it is jammed full with some of the most sophisticated gear in our industry. To start there is a pair of Ampex MM-1000's with an interlocking system that allows thirty-two track operation. Facilities are, of course, available for sixteen-, eight- or four-track recording of anything from a sixty piece orchestra to a radio spot. Incidentally, the entire studio is Ampex equipped.

The console is the automated model 2000 by Olive Electro Dynamic and includes an automated remix programmer. This permits the operator to automatically record all console functions and keep them stored on the original master so that the engineer can work on subsequent remixes with an unusual degree of freedom. He can manually modify any track as desired and again have this adjustment memorized without disturbing any other console function.



Figure 2. A view of the control room with the Dolbys on the right, the stained-glass window in the center and the studio seen thru the window at left.

Figure 3. Another view of the studio control room. The Olive console and Ampex machines certainly dominate the room.



## Whenever there is a need.

This is the Olive "motto". We live up to it in our constant attempts to push back the accepted frontiers of audio technology. In fact, Olive products represent a whole new concept in audio engineering excellence. Take a close look at our Series 2100 Equalizer for example. Notice the 4 sections. All capable of independent action. There are two mid ranges and a total of 48 frequencies to choose from. Just wait until you experience the speed of set up and feel the smoothness of lever actuated switching. There's no need

to compromise when the natural frequency range of any instrument can be located and brought out where you can really get at it. Quickly. Using only 1 section you can create 300 separate effects. Imagine how many effects you can get with all 4. Designed to answer any need, the 2100 Equalizer is available as you see it here or as a very important part of the Olive Console. Before you are sold on just any equalizer try the Olive 2100. We'll let the product sell itself. Specifications are available on request.

**olive**   
WHENEVER THERE IS A NEED

Olive Electro Dynamics Inc  
2670 Paulus  
Montréal 386, Québec  
Canada  
(514) 332-0331  
Cable Olivet, Montréal

Westlake Audio Inc  
6311 Wilshire Blvd  
Los Angeles, California  
90048  
(213) 655-0303

Harvey Radio Company  
444 Madison Avenue  
New York, N. Y.  
10022  
(212) 582-1500

Studio-Technique  
4 avenue Claude  
Vellefaux  
Paris (10e) France  
206-15-60/208-40-99

Circle 22 on Reader Service Card

# STUDIO RECORDERS

by

**Crown**



SX711

CX822

## MINIMUM DOWNTIME

Each unit undergoes more than 100 hours cumulative testing ■ Typical parts shipment from factory service department - under 48 hours ■ Easy access plug-in modules for instant servicing ■ Patented electromagnetic brakes never need adjusting ■ Simple transports - only 9 or 10 moving parts, all solenoid operation ■ Superior tape head contact plus light tape tension for low head wear

## MAXIMUM LIFETIME

Design lifetime is 10 years continuous use or 65,000 hours, with three service check-ups ■ Construction "rugged enough to withstand parachute drops" (AUDIO magazine) ■ Top-grade components such as silicon transistors and tantalum capacitors ■ One of the two remaining original American tape recorder manufacturers; still supplying parts and service for broadcast units 15 years and older

## MAXIMUM PERFORMANCE

Computer logic controls provide rapid fool-proof tape handling, safe popless remote control, prevent broken tapes ■ Best frequency response among all recorders, pro or semi-pro, and the only one that's guaranteed ■ Every unit shipped with its hand-entered proof-of-performance report

Speed	Response-Hz	S/N	Wow
15 ips	+2db 40-30K	-60db	0.06%
7½ ips	+2db 20-20K	-60db	0.09%
3½ ips	+2db 20-10K	-55db	0.18%

## MAXIMUM FLEXIBILITY

Bias metering and adjustment; record and play equalization switching ■ 2 line level inputs per channel and a 600-ohm line output for each channel ■ Third head monitor with A/B switch ■ At-the-head editing plus cue lever ■ Full line of 1, 2 and 4-channel recorders and players ■ From the mono SX711 at \$895 to the stereo CX822 with typical options at \$2300, you can pay less for a semi-pro recorder, and replace it every couple years . . . or pay more for a wide-tape mastering machine, and get no better performance. It's your choice. To help you make it, we'll be glad to send you full technical data with performance graphs.



**Crown**

BOX 1000, ELKHART, INDIANA 46514, U.S.A.

Circle 14 on Reader Service Card



Figure 4. The remix room is decorated in an unusual manner. Note the ARP synthesizer in the far corner.

Figure 5. A view of the main studio shows the wall treatment covering the original stained glass windows and indicating the size of this huge room.



Closed circuit t.v. is used to replace projectors for film sound tracks and can also be used for other recording purposes as required. Then there is an ARP synthesizer, a multi-channel group of Dolby units, an EMT chamber, a full complement of Kepex units, and a grand piano and a Mason & Hamlin church harmonium with two keyboards and pedals. JBL monitors are used throughout and AKG, Neumann, EV and Beyer mics are found in great abundance.

Perry has recorded some of the well known names in the music world such as Charles Aznavour, Mireille Mathieu and John Lennon whose *Give Peace a Chance* was recorded by Perry in a Montreal hotel room long before the studio was ready for operation.

With the growth of Montreal as a cultural center Perry looks forward to increasing business both locally and from elsewhere. He estimates that within six months about 40 per cent of his business will come from outside Canada due, in a great part, to his impressive facilities.



# db Visits—Whitney Recording Studios

**I**N A NEAT small building located in Glendale near Los Angeles can be found Whitney Recording Studio, Inc. It's not a new building, but inside can be found a thoroughly modern establishment.

It all began in 1955 when the building was begun from the ground up with plans which were popular at the time. Studio A began life as an organ studio with a large four-manual Robert Morton Pipe Organ (34 ranks of pipes) installed. It's still in use.

According to owners Lorin J. Whitney and Aimee C. Whitney and chief engineer Frank Kejmar the studio was leased to the Walt Disney Music Company for two years beginning in 1956 and many of the Disney albums released at the time were made here. When an offer by Disney to buy out the studio was refused, Whitney began to rent out space to commercial and religious organizations. That's the primary business today. There are now two studios in use.

Studio A control is today equipped with a Rupert Neve console equipped with 24 complete input channels and two submasters making a total of 36 mic input capability. The console is set up with four echo send channels with eq—with a maximum of eight echo send available by using the four cue outputs. There are eight echo returns that may be switched to any or all of the sixteen output mixing busses and independently assigned to the stereo mixdown channels with panpots.

The console came with a complete set of spare amplifier cards and modules and fader. Installation a bit over a year ago took twelve hours, most of which was unpacking time.

Lorin Whitney told us that since using the Neve console for over a year now he has not had to make any modifications to accommodate the present state of the art. It is already set up for quad recording and remixing.

Also within the control room are a 3M sixteen-track recorder, Scully eight-track, and Ampex four-, two-, and full-track machines. There are two stereo live acoustic echo



*Figure 1. Studio A master control. The Neve console looks into the studio and permits all corners to be seen. At the extreme left, the sixteen track 3M and eight-track Scully are visible.*



Figure 2. If you want glorious pipe organ sound, Whitney can give it to you with this four-manual keyboard located in Studio A.



Figure 3. Twelve open reel Ampex slaves can turn out a lot of per-hour copies. Not shown are the master machine and the Pentagon cassette duplicating equipment, also located in this room.

chambers and three EMT stereo plates. Dolby and Kepex equipment is used.

Studio A itself is a 45- by 35-foot room with a 14-foot ceiling. It is dominated by the huge organ at one end. But there are also a Steinway B grand, a celeste, and a Hammond organ with Leslie speakers.

Studio B is smaller and has its own control room equipped with a twenty-input Electrodyne console with an eight bus output. This studio has its own Hammond and Steinway B.

A separate mastering room has a Neumann computer-controlled disc mastering lathe with the SX 68 cutter and

VB-66 solid-state driving package. Dolby noise reduction units are used.

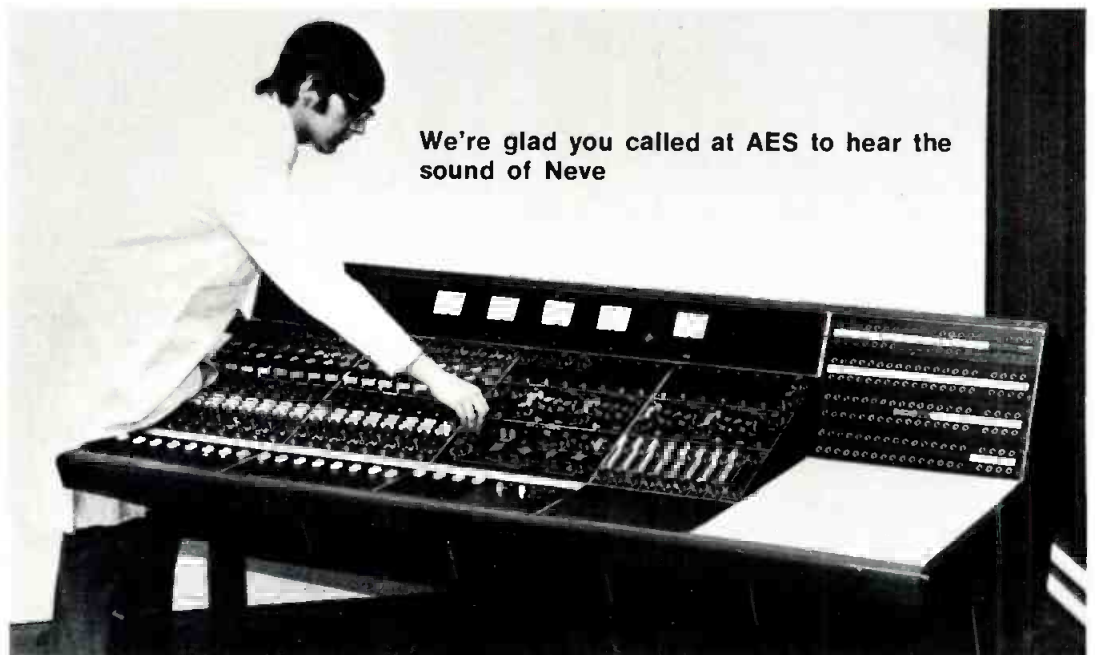
Whitney Studios also has a complete tape duplicating facility. This includes Ampex high-speed master equipment that drives up to twelve slaves used to make multiple copies. In addition, Pentagon cassette dubbing equipment is used to duplicate cassettes for educational customers.

We only partly convey the attractiveness of the Whitney setup. Located near enough to the central Los Angeles business areas, it offers the conveniences of suburban location with the practicality of big-city nearness to talent. ■

# Neve

*the sound of Neve  
is world wide*

In addition to our range of standard consoles, our specialty is making equipment the way you want it.



We're glad you called at AES to hear the sound of Neve

Professional Audio Control and Distribution

Rupert Neve & Co., Ltd., Cambridge House, Melbourn, Royston, Herts. England  
Rupert Neve of Canada, Limited, P.O. Box 182, Etobicoke, Ontario

**RUPERT NEVE INCORPORATED**  
Berkshire Industrial Park, Bethel, Connecticut 06801  
Tel. (203) 744-6230 • Telex 969638

Circle 31 on Reader Service Card



# SOUND WITH IMAGES

## Video Tape Recorders

● As anyone involved in some way with audio is aware, a tape machine made by one manufacturer is not the same as one made by another, but at least there is some similarity, and a tape made on one machine can be played on anyone else's similar type machine.

In video, this has not been so. There are 3 widths of tape used, 2-inch, 1-inch and ½-inch. The widest tape is generally used for color and for broadcast applications because it is capable of higher band width (frequency response) than the others. The 1-inch is used in industry, education, and in semi-professional applications where highest quality is not obligatory. The narrowest tape is used, generally in schools, field coverage (outside of a permanent location) where the equipment for wider tapes is too cumbersome, and in rough shooting where speed and flexibility with battery operation are essential. So far so good, but it is not that simple.

Video recording, which, incidentally, uses the same general principle of recording as audio, is relatively new, having started in the middle of the 1950's when the first machines came out for broadcast use only. Originally, each unit may have cost in the neighborhood of \$40-70,000. Today, with the introduction of color and additional features, a unit may cost closer to \$125,000. Professional units which have been traded in for more up-to-date machines are still available for \$20,000 or more depending on age, features and capabilities on an "as is" basis (purchaser to make his own arrangements for shipping from present location).

Since broadcast video recorders had to meet previously set standards for picture quality, resolution, color, technical compatibility with broadcast transmitting and receiving equipment, artistic capability to compete with live presentations, etc., all machines for this application were made according to these standards. The width is 2-inches to permit the recording of the broad bandwidth required for broadcast color.

In time, video recorders were made

for consumer markets and for home use with the price now down below \$900. Tape was made in the 1-inch and ½-inch widths, and most recently a machine was offered to the consumer (school, business, etc.) using ¼-inch wide tape. Where good quality is required (but not broadcast) the 1-inch is used. A sacrifice in resolution would permit the narrower tape to be used. For each width, the manufacturers found a way to achieve the quality they wished and thought the market would buy, but each system was unique unto itself.

In order to achieve the high frequency capability required for video recording, a high relative speed between the tape and the head had to be accomplished. The relatively slow 30 in/sec. for audio professional work would not suffice when the bandwidth had to be well over 2 MHz as compared with audio's top of about 20 kHz.

Basically, there are three ways to arrive at a high relative speed between the tape and the head. One method would require that the head be rotated at high speed and the tape could then move past it rather slowly. Another means would be to move the tape very rapidly with the head revolving rather slowly. The third way would be to achieve the relative speed by a compromise in both.

The first method is used to achieve the resolution and picture quality required by t.v. broadcasting. A quad-head (four separate heads on the same rotating assembly) are spun at 14,400 r.p.m. The 2-inch tape moves at 15 in/sec. and the video information is recorded almost perpendicularly across the tape width. This transverse method permits the recording of color detail on the whole width of the tape, except for the audio and sync tracks which are also put on, and clean editing.

The second method would require a tape speed, for fairly good quality, of about 160 in/sec. and a special tape handling assembly would then also be required. This longitudinal method has not become very popular at all. The last method was the one adopted for home and industrial, as well as educational, application. Quality requirements were met satisfactorily and the cost was moderate, ranging from about \$795 to \$4,000 depending on features and capability.

To achieve the sufficiently high relative speed between the tape and the head (sometimes called the video writing speed), a revolving drum with either one or two heads is used. Speed of rotation is in the neighborhood of 3600 r.p.m. and the horizontal velocity of the tape ranges from 6.5 to 12 in/sec. (One manufacturer uses a speed just over 11 in/sec.; another is at 9.6; still another is at 7.8; another is at 7.5; and yet another is just under 7 in/sec.) The combination of speeds help to determine the "frequency response" and the resolution of the machine, but since there is no standardization, each maker is free to choose a feasible combination resulting in satisfactory operation.

One general restriction is that the tape can not run as it does in an audio machine but must be wrapped around the rotating drum in a manner similar to the Greek letter Omega ( $\Omega$ ). To accomplish this as much as possible the machines are made with one reel (usually the take up) slightly higher than the other and in some cases it is above the supply reel. As the tape makes its pass around the revolving head, the path taken by the head across the tape is in the shape of a long sweeping diagonal line. This helical scan method covers almost the entire width of the tape, whether it is 1-, ½-, or ¼-inch leaving only the space required by one or two audio tracks (again depending on the maker and the model) and the sync control track, along with the guard bands which separate the two tracks that are on the same edge of the tape and the outside of the tracks from the edge of the tape itself. The location of the audio tracks on the tape, whether on top or on bottom, varies between manufacturers.

One thing that is common to all 1-inch and under video machines, however, is that the audio and control heads are stationary, but they are not necessarily put at the same location by each of the makers. Positioning depends on where on the tape the signal will go. Other similarities and differences might include the output provided by the units. Some may have outputs from modulators which permit feeding directly to a non-used channel on the standard t.v. set while others can feed only to monitors or "jeeped" t.v. sets.

In some instances, machines made by the same manufacturer can dub to and from each other without any problem, while for some other manufacturers this is either not possible at all or only between certain models. Across the country, facilities have been built up specifically for the purpose of dubbing from one maker's

models to any other maker's units.

Editing, that is, physically cutting the tape and splicing cleanly, is an impossibility in helical scan machines. Since the frame is actually recorded in a very long diagonal sweep, the cut would have to follow the line accurately right down the "groove" for a clean cut, but even if the cut were made in the clear between images, there would still be roll over. Editing used to be done on the 2-inch transverse machines, but now almost all work is done by switching automatically by preset computer settings between A, B, C, . . . rolls of tape. These cuts are made cleanly.

The 2-inch tape systems have been made according to set standards since it began. There has been no standardization in the 1- or 1/2-inch formats until this year. Now the 1/2-inch format has been set up by Sony, Philips, and others and it looks as if all makers of the 1/2-inch tape machines will conform in a short time to this EIAJ specification. Tapes made on any machine within this format will be playable on any other unit which conforms, just as audio.

However, there is still no standardization in the 1-inch medium. It is, therefore, essential that this fact be taken into account when recommending video equipment, especially recorders, to a client. Is it necessary to match other systems in the organization? Is overseas operation a factor? Do tapes get sent out throughout the country? Is there any other machine in the company and is dubbing necessary, or can one tape be played on other machines? Is 1-inch needed or is 1/2-inch sufficient? Will there be editing? Will slow speed and/or stop action, which is available on some machines but not others, be necessary for the intended application of the recording system. Consider that at present, the wider the tape the higher the resolution—but is higher resolution necessary in this particular installation? Also, remember there is compatibility within a manufacturer's line, but not between manufacturers.

One more precaution. In cleaning heads on an audio machine, it might be as simple as using a cue-tip and head cleaner. As the heads are stationary, this is easy. However, on a video machine, the head is spinning at very high speed and it is very small and projects a very short, but sharp, distance. In a careless moment, the cotton can catch the head and leave a thread, or worse, damage the head—a possibly costly mistake. Keep your head clean, but make sure you keep it working well. Keep your head. ■

## CLASSIFIED

Closing date is the fifteenth of the second month preceding the date of issue. Send copy to: Classified Ad Dept.  
db THE SOUND ENGINEERING MAGAZINE  
980 Old Country Road, Plainview, New York 11803

Rates are 50¢ a word for commercial advertisements. Non-commercial and employment offered or wanted placements are accepted at 25¢ per word.

---

### FOR SALE

---

**SOLID-STATE AUDIO PLUG-IN OCTAL** (1" Dia. x 2" H) modules. Mic preamps, disc & tape preamp-equalizers, tape bias osc & record ampli power amps & power supplies. Send for free catalog and audio applications. **Opamp Labs., 172 So. Alta Vista Blvd., Los Angeles, California 90036.**

**NEW YORK'S LEADING** supplier of professional recording equipment and hi-fi stereo components. All major brands in stock. Call for quote—sales—service—leasing—trade-ins. **Martin Audio, 320 West 46th Street, New York, N.Y. 10036. Telephone: (212) 265-6470.**

**AMERICA'S LARGEST SELECTION** of new and used broadcast and recording equipment! Latest bulletins available. **The Maze Corporation, P.O. Box 6636, Birmingham, Ala. 35210.**

**WHATEVER YOUR EQUIPMENT NEEDS**—new or used—check us first. Trade your used equipment for new. Write for our complete listings. **Broadcast Equipment & Supply Co., Box 3141, Bristol, Tenn. 37620.**

**FOR SALE: RADIO STATION IN N. W. FLORIDA.** 1000 watt AM daytimer. Excellent frequency. Cash sale. Available immediately. Contact **Peter Al Anderson, P.O. Box 297, Blountstown, Florida. (904) 674-5403 or (904) 674-5900.**

**TECHNICAL CONSULTATION**—recording/broadcasting studios, and performing arts. Thirty audio lines—consoles, microphones, equalizers, monitoring systems. Call or write—quotations, specifications. Listings. **Frankford/Wayne Laboratories, 212 N. 12th, Philadelphia, Pa. 19107. (215) 561-1794.**

**SCULLY TAPE RECORDERS**—one to twenty-four track and model 270 auto players, many models in stock for immediate delivery. **SCULLY LATHES**—Previously owned and rebuilt. Variable or automatic pitch. Complete cutting systems with Westrex heads. **MIXING CONSOLES**—Custom designed using Weigand Audio Lab modules. From \$7,000.00. **Weigand Audio Laboratories, R.D. 3, Middleburg, Pa. 17842. Phone (717) 837-1444.**

---

**RECONDITIONED TAPE REELS.** Scotch precision or equivalent as new, 1 x 10 1/2 inches—10/\$35; 2 x 10 1/2 inches—10/\$70. Send for list: **Wide Response, 2926 Bentley Avenue, Los Angeles, California 90064.**

---

**RENT/LEASE PROFESSIONAL AUDIO EQUIPMENT.** Mono to sixteen track recorders, consoles, mics, monitor systems, p.a. systems, etc. **International Recording Corporation, 4214 Lankershim Blvd., North Hollywood, California 91602. (213) 769-6644.**

---

**OLD RADIO PROGRAMS** on cassettes or reels. Thousands of your favorites live again. Low prices, high quality. Catalog 50c. **Remember Radio Inc., Box 2513, Norman, Oklahoma 73069.**

---

**ONE STOP FOR ALL** your professional audio requirements. Bottom line oriented. **F.T.C. Brewer Company, P.O. Box 8057, Pensacola, Florida 32505.**

---

### WANTED

---

**WANTED—JBL (#2345) or Ampex 800 Hz "Ubangi" horn.** Bob Beede, 3031 **Pleasure Pt. Dr., Santa Cruz, California 95060.**

---

### EMPLOYMENT

---

**PROFESSIONAL RECORDING PERSONNEL SPECIALISTS.** A service for employers and job seekers. Call today! **Smith's Personnel Service, 1457 Broadway, N.Y.C. 10036. Alayne Spertell 212 WI 7-3806.**

---

**Want to Live in Israel?** Rapidly expanding design, manufacturing, and sales company specializing in audio, high fidelity, commercial and military sound systems requires experienced, mature professionals in all of the above fields. For full details send complete resume or contact **L. Feldman, 97 Oxford Blvd., Great Neck, New York 11023. (516) 482-5629.**

---

**PART-TIME** auditorium - reinforcement - systems designer wanted in greater New York area. Write **Box 11-A, db Magazine, 980 Old Country Road, Plainview, N. Y. 11803.**

---



# BOOKCASE

As a service to our readers we are pleased to offer these books from prominent technical publishers. All prices listed are the publishers' net. Shipping charges are included. Use the coupon at the bottom of the page or give the complete title, author and coupon number. Be sure to indicate quantity on the special instructions line if more than one copy of a title is wanted. Full payment must accompany your order. We cannot ship c.o.d. Checks or money orders should be made payable to Sagamore Publishing Company, Inc. Because of the time required to process orders, allow several weeks for the receipt of books.

**Radio Engineering Handbook, 5th Ed.**  
*Henney.* Prepared by a staff of specialists, this working manual of radio science provides information on each of the branches of radio engineering, with emphasis on working practice, final working formulas, dimensions, and actual useable circuits.  
1959. 1,800 pp. \$31.50  
Circle 36 on Coupon Below

**Radio Transmitters**  
*Gray and Graham.* Provides, in a logical, easy-to-understand manner, a working knowledge of radio transmitters for quick solution of problems in operation and maintenance.  
1961. 462 pp. \$16.00  
Circle 40 on Coupon Below

**Electronic and Radio Engineering, 4th Ed.**  
*Terman.* A thorough coverage, in easy-to-understand terms, of those principles and techniques which are the basic tools of the electronic and radio engineer. 1955. 1,078 pp.  
\$19.50  
Circle 39 on Coupon Below

**The Technique of the Sound Studio**  
*by Alec Nisbett.* This is a handbook on radio and recording techniques, but the principles described are equally applicable to film and television sound. 264 pages; 60 diagrams; glossary; indexed; 5 1/2 x 8 1/2; clothbound.  
\$13.50  
Circle 1 on Coupon Below

**Radio Broadcasting**  
*edited by Robert L. Hilliard.* Each of the five chapters has been written by a prominent educator with an extensive background of practical experience in commercial and educational broadcasting. 190 pages; 6 1/4 x 9 1/2; indexed; clothbound.  
\$6.95  
Circle 2 on Coupon Below

**Transistors for Audio Frequency (Audio-Frequency Amplification)**  
*by Guy Fontaine.* 1967. This systematic and detailed treatment of the application of transistors in audio-frequency amplifiers shows how the published transistor characteristics are related to the principles of design. An ideal textbook or reference on the subject for engineers and advanced technicians. 384 pages; 5 1/2 x 8; illus.; clothbound.  
\$7.95  
Circle 12 on Coupon Below

**Closed-Circuit Television Handbook**  
*by Leon Wortman.* Gives comprehensive detailed information about the field in an easy-to-understand presentation, suited to those who plan to use, install, and service cctv. 288 pages; 5 1/2 x 8 1/2; clothbound.  
\$5.95  
Circle 18 on Coupon Below

**An Alphabetical Guide to Motion Picture, Television, and Videotape Production**  
*Leviton.* This all-inclusive, authoritative, and profusely illustrated encyclopedia is a practical source of information about techniques of all kinds used for making and processing film and TV presentations. Gives full technical information on materials and equipment, processes and techniques, lighting, color balance, special effects, animation procedures, lenses and filters, high-speed photography, and much more. 1970. 480 pp. \$24.50  
Circle 35 on Coupon Below

**Integrated Circuits**  
*Motorola.* This complete, authoritative volume of design and construction techniques for modern integrated circuits covers theory, thin-film techniques, diodes, transistors, thermal design, and other vital aspects.  
1965. 373 pp. \$13.75  
Circle 30 on Coupon Below

**Basic Bibliography of Science and Technology**  
*McGraw-Hill.* Important to the researcher, librarian, or student, this reference book lists and describes over 8,000 outstanding books in every scientific and technical field. A topical index organizes all subject headings into about 100 general categories enabling the reader to locate quickly the listings which pertain to his field of interest.  
1966. 738 pp. \$19.50  
Circle 34 on Coupon Below

**Noise Reduction**  
*Beranek.* Designed for the engineer with no special training in acoustics, this practical text on noise control treats the nature of sound and its measurement, fundamentals of noise control, criteria, and case histories. Covers advanced topics in the field.  
1960. 752 pp. \$19.50  
Circle 33 on Coupon Below

**The Audio Cyclopeda (2nd ed.)**  
*by Dr. Howard M. Tremaine.* New and updated, here is the complete audio reference library in a single volume. It provides the most comprehensive information on every aspect of the audio art. This new edition includes the latest audio developments including the most recent solid-state systems and integrated circuits. It covers all subjects in the fields of acoustics, recording, and reproduction with more than 3400 related topics. Each topic can be instantly located by a unique index and reference system. More than 1600 illustrations and schematics help make complicated topics masterpieces of clarity. 1760 pages; 6 1/2 x 9-3/8; hardbound.  
\$29.95  
Circle 20 on Coupon Below

**Circuit Design for Audio, AM/FM, and TV**  
*Texas Instruments.* Texas Instruments Electronics Series. Discusses the latest advances in electronic design and application which represent the results of several years research and development by TI communications applications engineers. Emphasizes time- and cost-saving procedures throughout. 1967. 352 pp. \$14.50  
Circle 32 on Coupon Below

**Acoustics—Room Design and Noise Control**  
*by Michael Rettinger.* 1968. The enormous problems and hazards presented by noise are dealt within an orderly and practical manner. With many charts, graphs, and practical examples, the text covers the physics of sound, room acoustics, and design, noise and noise reduction. 392 pages; hardbound.  
\$17.50  
Circle 21 on Coupon Below

**Sagamore Publishing Company, Inc.**  
980 Old Country Road, Plainview, N. Y. 11803  
Please send me the books I have circled below. My full remittance in the amount of \$..... is enclosed. N.Y. State residents add 6% sales tax.

1 2 3 4 5 6 7 8 9 10 11 12 13 14 15 16 17  
18 19 20 21 22 23 24 25 26 27 28 29 30 31 32  
33 34 35 36 37 38 39 40

Name .....

Street Address .....

City ..... State ..... Zip .....

Special Instructions .....

Canada and foreign: Add \$1.00 per book

# PEOPLE, PLACES, HAPPENINGS

● **Morley Kahn** has been appointed vice president, manager of U.S. operations for **Dolby Laboratories**. Headquartered in New York City, he will have over-all responsibility for the sale of Dolby A professional noise reduction equipment, liaison with existing and potential Dolby B circuit licensees as well as promotional coordination with the London, England office. He comes to Dolby Labs from **Dynaco, Inc.** of Philadelphia where he was sales manager.

● A series of clinics have been established by the special applications products group of **Superscope**. **Elliott Davis**, product manager for Sony products for Superscope heads the division which has been especially created to handle the microphone and tape recorder units utilized by professional people in broadcasting, recording, sound reinforcement, etc. The clinics, headed by **Fred Dellar** will provide complete technical information on the products to those attending the clinics. The first dates are being set in the Los Angeles area, home base for Superscope. Plans are underway to provide this service to all dealers wishing to participate and a full schedule is planned for the coming months.

● Appointment of **Neil R. Vander Dussen** as division vice president, broadcast systems, in the **RCA communications systems division** (Camden) has been announced by **Andrew F. Inglis**, division v-p and general manager. In his new capacity Mr. Vander Dussen will be responsible for RCA's radio-t.v. broadcast equipment business, including sales, product management, engineering and support activities. He was manager of studio equipment engineering and product management, broadcast systems, for the year preceding his promotion.

● Purchase of the manufacturing and sales rights to a line of audio tape recorder test equipment has been announced by the **Mincom division** of **3M Company**. The rights were acquired from **Data Measurements Corp.**, of Palo Alto, California. The purchase also included an inventory and rights to continue to use for a limited period the trademarks **DMC** and **Micom**.

● Two educational courses will soon be offered by the **Institute of Audio Research** in New York City. Designed for those interested in professional recording careers, these courses have developed a successful reputation for the training of mixing and recording engineers with most of their graduates currently employed in the field. On January 10th they will begin a course of ten-week's duration entitled **Studio Technology and Practice** which covers most important aspects of advanced recording technology.

On January 17th they will offer a more advanced course, **Audio Systems Design**. This will be a three-and one-half week seminar that will teach the best means of utilizing available components. It will also focus on application design for establishing proper operation parameters of the chosen components.

For details on registration dates, fees, etc., write the **Institute of Audio Research, 156 Fifth Avenue, New York, N. Y. 10010**.



● A touring bus has been sent out by **Lowell Manufacturing** to promote to the trade their line of sound products. The 24-foot travelling show room will serve to bring the Saint Louis, Mo. company to its distributors around the country. The first trip, now under way, has embarked on a month-long tour of the south-eastern states. We assume that other directions will be taken in the future. The drivers are key company home-office staff personnel. They will travel in relative comfort since the bus is equipped as a home on wheels with shower, wash basin, lavatory, refrigerator, stove, air conditioning, a sound system, mobile telephone, water supply, and heating system.



● **Arthur H. Hausman** has been elected to the newly-created position of chief operating officer of **Ampex Corporation**, it was announced by **William E. Roberts**, chairman and chief executive officer. The appointment was approved by the Ampex board of directors and announced at the company's annual shareholders meeting. The new top echelon of the company goes like this: Mr. Roberts continues as president, chairman, and chief executive officer. **John P. Buchan** and Mr. Hausman will now share the chief executive officer responsibility with him. Decisions requiring top officer action can be handled by any one of the three.



● **Tonus, Inc.**, manufacturers of the **ARP Synthesizer** line, has taken on a new company name and logo. The logo is shown, and the name, appropriately enough, will be **ARP Instruments**, a Division of **Tonus, Inc.** The Soloist a compact synthesizer for amateur and performing musicians is the first product to bear the new logo. The logo was designed by **Margaret Shepherd, Friendly Ink Studios**.

## attention overseas readers

The slow delivery of each month's issue to overseas addresses often results in the return of reader service cards that have passed the date of their expiry. As the processing computer is trained to reject such cards, overseas readers wanting information

are not always receiving it.

You should check the expiry date on the reader service card. If the date is close, and you must allow the time for mail service back to the address on the card, we can only urge that air mail be used.



# The new Revox A77 Mk III.



## It's still not perfect.

Nothing is.

But the new A77 Mark III is certainly the best recorder Revox has ever made. And that's saying something.

The Mark III is an improved version of our critically acclaimed A77. The recorder that *The Stereophile* magazine (1-71) described as, "Unquestionably the best tape recorder we have ever tested . . ."

And that judgement is as true now as it was then.

However, at Revox we've never been content to rest on our laurels. We thought we should make the best even better.

But in bringing out a new model, we

didn't discard all of the time tested features and superior performance that distinguished the original A77.

Instead, we made only those changes which would meaningfully improve performance and reliability.

Not a radical transformation, but a program of rational development.

As a result, you have to examine the new A77 Mark III rather closely before you see any external differences at all.

On the other hand, from the moment you start to use the new Revox, you'll begin to appreciate the changes we've made inside.

For example, we've designed a new oscillator circuit for greater efficiency and lower distortion. Modified and strengthened the self-adjusting braking system. Devised a new hardening process to reduce capstan wear. Improved tape handling and spooling. And made a number of other changes. A total of eighteen . . . some major, some minor.

All in all, we haven't created a revolution.

We've just done what we set out to do . . . that is carry the art and science of tape recording a few steps closer to perfection.

And, in the process, we've given you eighteen more reasons why . . .

**REVOX**  
delivers what all the rest only promise.

#### Revox Corporation

155 Michael Drive, Syosset, N. Y. 11791  
3637 Cahuenga Blvd., West, Hollywood, Calif. 90068  
In Canada: Tri-Tel Associates, Ltd., Toronto, Canada  
Lamb House, Church Street, Chiswick, London W4 2PB

Circle 11 on Reader Service Card



# The new Koss Red Devil

**Model KRD711  
only \$29.95**

Use it for studio applications.

It is light weight, comfortable, practically blowout proof.

It presents no impedance matching problems.

It sounds better than any other phone you've heard in its price range.

For more information write



**KOSS**

KOSS CORPORATION 4129 N. Pt. Washington Rd., Milwaukee, Wisc. 53212

*Circle 12 on Reader Service Card*