

APRIL 1983

\$2.35* NZ \$2.75

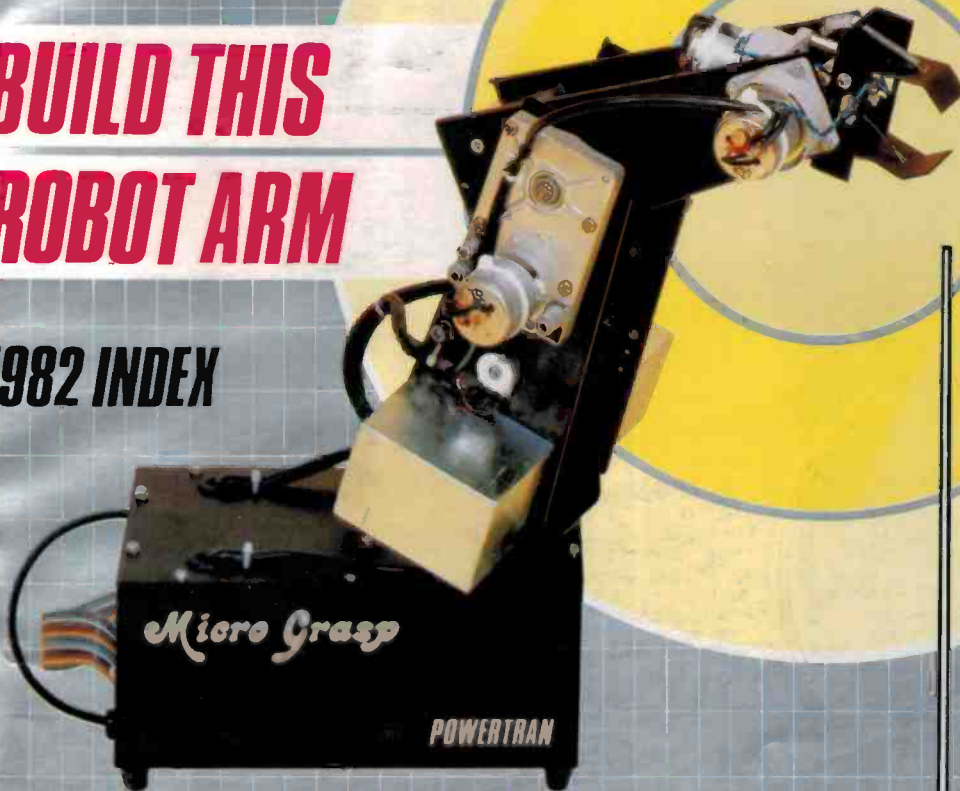


ELECTRONICS TODAY INTERNATIONAL

DICK SMITH
CATALOGUE
—CHECK INSIDE
**SEVEN LIGHTWEIGHT
HI-FI
HEADPHONES REVIEWED**

BUILD THIS ROBOT ARM

1982 INDEX

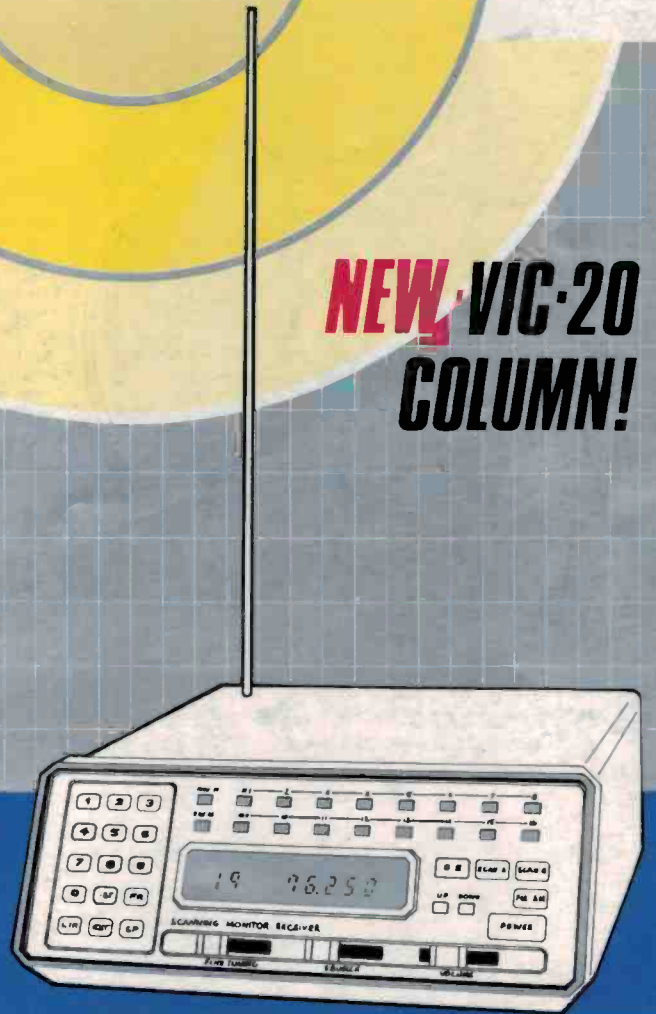


NEW VIC-20 COLUMN!

SCANNING

The World Beyond Shortwave

HP-75 Portable Computer Reviewed



Radioteletype Converter for the MicroBee How to Use DVM Modules

Motor Speed Controller for Drills, Blenders etc.

IF YOU'RE SWITCHED ON, THIS IS PARADISE.



Australia's Hornet. The cockpit contains the latest in the world. Enough electronics to keep any switched on enthusiast happy for years. The Hornet will form the backbone of Australia's Air Force. You can form the backbone of the people who will keep it in the air. Simply phone your Air Force Careers Adviser on Sydney 212 1011, Newcastle 25476, Wollongong 28 6492, Parramatta 635 1511, Canberra 822333, Melbourne 613731, Geelong 21 1588, Brisbane 2262626, Townsville 72 4566, Adelaide 212 1455, Perth 3256222, Hobart 347077, Launceston 31 1005.



JOIN AUSTRALIA'S AIR FORCE.

Authorised by Director General Recruiting Dept. Defence.



advertisers

Australia Government . . . IFC,	90-91
Applied Technology . . .	105, 106, 107, 108
Altronics	14, 15, 44, 45, 50, 51, 82
Adaptive Electronics	99, 100
All Electronic Components	13
AED	111
Audio Engineers	117
Billco	75
Bertas	84
Bright Star Crystals	77
C&K Electronics	20
Continental Distillers	92
Commodore	110
Convoy	124
Data Parts	95
Dick Smith	126, 127, 128, 129
Danish Hi-Fi	114
Electronic Agencies	104
Emona	20
Ferguson	112
G.F.S.	21
Hewlett-Packard	96
Imark	23
Jaycar	6, 7, 30, 31, 54, 55, 62, 64, 65, 76
Jands	114
K-Nar	112
Magraths	4
Microtrix	93
Magnetic Media	87
Minitools	132
McWilliams	89
Nicholas Kiwi	113
Pre-Pak	86
Rod Irving	Zip Out 67-74
Rose Music	IBC
Scientific Devices	11
Subscriptions	125
Software Source	110
SME Electronics	88
Sony	OBC
Truscotts	95
Vendale	109
Vicom	16

features

- 17 **Scanning — The World Beyond Shortwave** What's it all about?
- 24 **Build the Micro-Grasp Robot Arm** This'll grab you!
- 130 **1982 Index, Collected Notes & Errata** The definitive reference

projects and technical

- 24 **648: This'll Grab You — The Micro-Grasp Robot Arm** Move into robotics
- 39 **1515: Speed Controller For 'Universal' Motors** Drills, blenders etc
- 78 **733: Radioteletype to Computer Converter** For the MicroBee, etc
- 46 **Lab Notes: How to Use DVM Modules** Applications for the DPM-05 & ETI-161
- 56 **Circuit File: SCRs, Triacs and Power Control** Part 2, circuits, circuits . . .
- 63 **Ideas For Experimenters** Colour Computer joystick, Pea-zo whistle
- 75 **Shoparound** Where to buy kits, components, pc boards & panels for projects

computing today

- 83 **Modern Times with the IBM PC!** Q.T. & Pre-Pak agree
- 24 **648: Build the Micro-Grasp Robot Arm** Move into robotics
- 94 **The VIC-20 Column** New! Using VIC joysticks in your programs
- 97 **The HP-75C Portable Computer** A powerful beast
- 103 **The MicroBee Column** Simulated Roehn functions, Hardware/software tips
- 109 **The ZX Column** Bomb, alphasort and ZX art
- 110 **'660 Software** Noughts & crosses, asteroids shower, polaris, squash

sight & sound

- 115 **It's Looking Good for the Hi-Fi Industry** Japanese to make VCRs in Europe
- 118 **Seven Lightweight Headphones Reviewed** Take your pick!

news

- 8 **News Digest**
- 10 **Equipment News**
- 12 **Component News**
- 77 **Communications News**
- 85 **Printout**
- 117 **Sight & Sound**

contests and special offers

- 66 **Idea of the Month Contest**
Easy to enter — \$90 prize to win

general

- 35 **Mail Order Books**
- 125 **Subscriptions, Back Issues — order form**
- 133 **More Mail Order Books**
- 137 **Mini-Mart**
- 138 **Dregs**

APRIL 1983 \$2.50 (NZ \$8.75)

SAVE 10% OFF THE COVER PRICE ON ALL NEW LIGHTWEIGHT HEADPHONES REVIEWED

eti

ELECTRONIC TODAY INTERNATIONAL

BUILD THIS
ROBOT ARM

1982 INDEX

NEW VIC-20
COLUMN!

SCANNING

The World Beyond Shortwave

HP 75 Portable Computer Reviewed

Radioteletype Converter for the MicroBee
How to Use DVM Modules

Motor Speed Controller for Drills, Blenders etc.

Two topical items of interest at the moment are robotics and scanning — hence the Micro-Grasp arm and a scanning receiver are featured on the cover this month.
Micro-Grasp pic courtesy Powertran
Cover design by Ali White

Registered by Australia Post —
Publication No. NBP0407
ISSN No. 0013-5216



Great Value! Books & Magazines.

- COLOUR COMPUTER NEWS • COLOUR COMPUTER NEWS
- SYSTEM 68 - APPLICATIONS • 68' MICRO JOURNAL
- MICRO 80 • APPLE ORCHARD • CREATIVE COMPUTING
- AUSTRALIAN PERSONAL COMPUTER

WE ALSO HAVE A RANGE OF OTHER MAGAZINES IN STOCK!

FAIRCHILD		MOTOROLA	
Bipolar Memory Databook		CMOS Databook	\$9.00
	\$8.00	Schottky TTL Databook	\$8.00
CMOS Databook	\$9.00		
A Linear Databook	\$12.50		
MOS Memon Databook	\$8.00		

PHILLIPS	
Building Hi-Fi Speaker Systems	\$6.50
Semiconductors, Pt 2	\$10.00
Semiconductors, Pt 3	\$10.00
General Catalogue 81 82	\$10.00

DATA BOOKS	
TEXAS INSTRUMENTS	
Software Design for Micro Processors	\$14.95
1981 Supplement - TTL Data	\$6.25
Linear Control Circuits	\$3.90
Interface Circuits	\$16.00
MOS Memory	\$8.35
Bipolar Microcomputer Components	\$9.99
TTL Data Book	\$12.50
Understanding Solid State Electronics	\$7.95
Understanding Computer Science	\$7.95
Understanding Communications Systems	\$7.95
Understanding Optronics	\$7.95
Beginners Basic: Ti-99 4A	\$14.95

NATIONAL SEMICONDUCTOR	
Audio Radio Handbook	\$6.50
Advanced Bipolar Logic	\$6.50
Linear Applications Handbook	\$18.00
Transistor Data Book	\$7.50
Voltage Regulator Handbook	\$8.00
Memory Data Book	\$7.00
Series 80 Board Level Computer	\$6.00
Hybrid Products Databook	\$9.00
Log.c Data Book	\$9.00
MM 54HC 74HC High-Speed CMOS	\$2.50
The Reliability Handbook	\$16.00

All Publications Tax Code A

Semiconductor Specials.

4001 23c	7411 30c	74LS11 23c	74LS83 75c
4002 30c	7413 45c	74LS12 23c	74LS85 30c
4007 23c	7414 45c	74LS14 55c	74LS90 30c
4013 30c	7420 23c	74LS15 23c	74LS93 30c
4015 55c	7430 23c	74LS20 23c	74LS123 30c
4042 45c	7432 23c	74LS27 23c	74LS157 30c
	7440 23c	74LS30 23c	74LS174 30c
	7442 45c	74LS32 23c	74LS240 75c
	7443 45c	74LS42 30c	74LS245 90c
	7473 45c	74LS74 30c	
	7474 30c		
	7475 45c		
	7476 45c		
	7477 45c		
	7490 45c		
	7493 45c		
	7498 30c		
	74121 45c		
7410 23c			

HILLS TV ANTENNAE

Designed to provide the best possible reception in your area. Built to highest electrical standards. Simple, lightweight, strong and easy to install.

EFC2 Metro Antenna **\$39.77**
EFC3 Fringe area Antenna **\$66.81**
FM3 Outdoor FM Antenna **\$23.35**

**SUPER BARGAINS AT
MAGRATH'S**



6 For The Price
Of 5!

**SUPER LOW
PRICES**

6 PACK SPECIALS

DIGITAL & LINEAR

6x 4016B	\$1.50
6x 4066B	\$2.40
6x 4511B	\$3.45
6x 74LS00	\$1.00
6x 74LS04	\$1.00
6x 74LS14	\$2.00
6x 74LS90	\$2.10
6x LM340KC 12	\$6.00
6x LM340T 5	\$2.55
6x UA317UC Regulator	\$6.00
6x UA348PC Op Amp	\$4.25
6x 74C00	\$1.00
6x 74C107	\$1.50
6x 74C04	\$1.00
6x 74C02	\$1.00

LEDs

6x MV5053S	35c
------------	-----

BRIDGES

6x KBPC602 6A 200V	\$5.00
--------------------	--------

SCRs

6x 6006L 6A 600V	\$4.00
------------------	--------

TRANSISTORS

6x PN2222A	25c
------------	-----

BOURNS TRIM POTS 3006P
\$5.16+ Tax Code C

Standard Range 100Ω-1MEGΩ		
3006P-101	3006P-201	3006P-501
3006P-102	3006P-202	3006P-502
3006P-103	3006P-203	3006P-503
3006P-104	3006P-204	3006P-504
3006P-105	3006P-205	

CAPACITORS

Normal Price Special Price Per Each Pack of 6

3TO12 CERAMIC TRIMMERS	50c	\$2.50
ELECTROLYTICS		
2.2Mld 25V RB's	16c	80c
10Mld 16V RB's	16c	80c
10Mld 25V RB's	16c	80c
25Mld 25V RB's	17c	85c
47Mld 16V	20c	\$1.00
47Mld 25V RB's	22c	\$1.10
100Mld 10V RB's	20c	\$1.00
100Mld 25V RB's	26c	\$1.30
220Mld 25V RB's	36c	\$1.80
POLYESTERS		
001Mld 100V Greencaps	8c	40c
0047Mld 100V Greencaps	8c	40c
01Mld 100V Greencaps	14c	70c
012Mld 100V Greencaps	14c	70c
022Mld 100V Greencaps	14c	70c
033Mld 100V Greencaps	14c	70c
039Mld 100V Greencaps	14c	70c
056Mld 100V Greencaps	14c	70c
068Mld 100V Greencaps	14c	70c
1Mld 100V Greencaps	14c	70c
HARDWARE		
RCA Plugs	20c	\$1.00
RCA Chassis sockets	35c	\$1.75
3.5mm Plugs mono	20c	\$1.00
3.5mm Chassis sockets	35c	\$1.75
.MS102 Push to make switch	35c	\$1.75

ARLEC PS499 PLUG PACK BATTERY ELIMINATOR 6 VOLTAGE

Suitable for 3V-4.5V 6V 7.5V
9V-12V equipment to 300mA

- Flash Guns
- Electric Models
- Toys, etc.
- 12 months guarantee
- Cassette Recorders
- Calculators



\$7.95

Plus Tax Code C
Eliminates batteries by running equipment direct from the mains electricity supply. SEC approved.

Ask about our other 6-Pack
Specials There's lots more

ARLEC PS493 KARPAK

Multi-Voltage Car Adaptor Powers: Transistor Radios,
Cassette Recorders, etc. from your Car Battery.

Suitable for 3V-4.5V-6V-7.5V-9V-12V
equipment to 800mA

- Plugs into cigarette lighter socket
- 5-way plug connects to the majority of radios, recorders etc.
- Includes polarity selector
- 12 months guarantee SEC Approved.

\$6.06 Plus Tax Code C



ARLEC 200H Mk 2 MULTIPURPOSE METER

for electrical testing.

Measures Voltage, Current and Resistance.

- SEC Approved
- 12 months Guarantee

\$15.40

Plus Tax Code C



MEMORY BARGAINS

HM6116P-3	\$5.99	250 ns
MB2764-30	\$10.96	300 ns 64K EPROM
MB8118	\$3.95	120 ns 16384 X 1 RAM
MM2708Q	\$2.80	450 ns 8K EPROM
MB8114 NLC	\$4.00	300 ns CERAMIC
HN462532G	\$7.00	450 ns 32K EPROM
S6834	\$13.30	512 x 8 EPROM
S6810	\$4.70	128 x 10 RAM 450 NS
MC68000-L8	\$99.95	8MHZ C.P.U.

PLUS TAX CODE C

ARLEC SOLID STATE PLUG-IN LAMP DIMMER

Provides complete control over lamp brightness - saves money!

12 months guarantee
For table lamps, standard lamps, bedside lamps, etc....

- 500 watts output.
- Includes Radio Interference Suppression
- SEC Approved.

\$9.57 Plus Tax

Made In Australia. Code B



TAX CODE
A - EXEMPT C - 20%
B - 7.5% D - 32.5%

**55 A'BECKETT STREET
MELBOURNE, 3000.**
Tel (03) 347 1122 Telex:AA31001



eti

Editor
Roger Harrison VK2ZTB

Technical Editor
David Tilbrook VK2YMI

Assistant Editor
Jennifer Whyte B. App. Sc.

Editorial Staff
Geoff Nicholls B.Sc./B.E.
Jonathan Scott
B.Sc./B.E. (Hons) VK2YBN
Jan Vernon B.A.

Draughting
David Currie

Advertising Production
John Gerrie

Advertising Sales
Bob Taylor (Group Manager)
John Whalen (National)

Art Staff
Ali White B.A.
Bill Crump
Githa Pilbrow

Typesetting
Julie Hewlett

Reader Services
Jane Nicholls

Managing Editor
Collyn Rivers

Acoustical Consultants
Louis Challis & Associates

Editorial and Sales Office

140 Joynton Ave, Waterloo NSW 2017
Ph: (02)663-9999; Tlx FEDPUB AA74488

Melbourne: Virginia Salmon and Mel Godfrey,
150 Lonsdale St, Melbourne Vic. 3000.
Ph: 662-1222; Tlx AA34340.

Adelaide: Admedia Group, 24 Kensington Rd.
Rose Park SA 5067. Ph: 332-8144;
Tlx AA82182.

Brisbane: Geoff Horne Agencies, 16 Bellbowrie
Centre, Bellbowrie Qld 4070. Ph: 202-6813.

Perth: C. Thomas, Adrep Advertising
WA 6000. Ph: 325-6395; Tlx ADREP PERTH.

New Zealand: Frank Hargreaves, Circulation
Marketing Manager, c/- ACP, 4th Floor, Sun
Alliance House, 42-44 Shortland St, Auckland.
Ph: (9)30311.

United Kingdom: Australian Consolidated
Press, Ludgate House, 107 Fleet St, London
EC4A 2AL. Ph: 353-1040; Tlx: 267163.

Japan: Genzo Uchida, Bancho Media
Services, 15 Sanyocho, Shinjuku-Ku, Tokyo
160. Ph: 359-8866; Cable: Elbanchorito;
Tlx: BMSINC J25472 Tokyo.

USA: Australian Consolidated Press, 21 East
40th Street, (Floor 23), New York NY 10016.
Phone: (212)685-9570.

Electronics Today International is published
by The Federal Publishing Company Proprietary
Limited, 140 Joynton Avenue, Waterloo NSW
2017. (02)663-9999. Telex AA74488
'FEDPUB'. This issue was printed by ESN,
The Litho Centre of 140 Joynton Avenue,
Waterloo NSW 2017. (02)662-8888. Distributed
by Network Distribution Company.

* Recommended retail price only

comment

The draft Radiocommunications Bill 1983 was released by the Department of Communications just as this issue was going to press. The Bill was released "... to facilitate public discussion." The closing date for comment was advised by the then Minister for Communications, Neil Brown, as 22 April 1983. The new Minister for Communications is The Hon. Michael Duffy and the D.O.C. advise that late comments will be accepted.

I recommend that, if you are the least interested in radio communications of any sort — be it shortwave listening, scanning, model radio control, amateur radio, maritime, satellite et al — get hold of a copy and read it *thoroughly*. Copies are obtainable from Australian Government Publishing Service bookshops in each capital.

The Bill is intended to replace the ancient Wireless Telegraphy Act, 1905 and is "... intended to control the use of the Australian radio frequency spectrum at a time of rapidly developing technological change."

The Bill is divided into nine sections, or parts. While all of it is of general interest, some parts will specifically interest hobbyists. For a start, it is intended that *receiver licenses* will be required, covering all receivers *other* than for public broadcasting or television reception. (See page 21, in our Scanning feature this month.)

Another section of the Bill that will be of interest to equipment users and manufacturers alike is that providing for common standards for receivers and transmitters. This has important implications for manufacturers, importers *and* home constructors, such as radio amateurs.

Clearly, there's too much in it to discuss in any depth here. I urge you, no matter how slight your interest, to get a copy of the Bill, read it through and send your comments to the *Secretary, Department of Communications, P.O. Box 34, Belconnen 2616*. Remember, the closing date is 22 April. The Bill may be withdrawn or amended in the light of public comment, so *your comment counts*.



Roger Harrison

Roger Harrison
Editor

services

Technical enquiries: We can only answer readers' technical enquiries by telephone after 4.30 pm Mondays to Thursdays. The technical enquiry number is (02)663-9999. Technical enquiries by mail must be accompanied by a stamped, self-addressed envelope. There is no charge. We can only answer queries relating to projects and articles as published. We cannot advise on modifications, other than errata or addenda. We try to answer letters as soon as possible. Difficult questions may take some time to answer.

General enquiries: For enquiries about back issues, photostats of articles, artwork or submitting articles, call (02)663-9999 or write to the address on this page.

The publisher accepts no responsibility for unsolicited manuscripts, illustrations or photographic material.

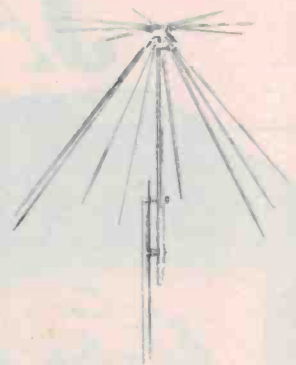
COPYRIGHT: The contents of Electronics Today International and associated publications is fully protected by the Commonwealth Copyright Act (1968).

Copyright extends to all written material, photographs, drawings, circuit diagrams and printed circuit boards. Although any form of reproduction is a breach of copyright, we are not concerned about individuals constructing projects for their own private use, nor by pop groups (for example) constructing one or more items for use in connection with their performances.

Commercial organisations should note that no project or part project described in Electronics Today International or associated publications may be offered for sale, or sold in substantially or fully assembled form, unless a licence has been specifically obtained so to do from the publishers, The Federal Publishing Company, or from the copyright holders.

LIABILITY: Comments and test results on equipment reviewed refer to the particular item submitted for review and may not necessarily pertain to other units of the same make or model number. Whilst every effort has been made to ensure that all constructional projects referred to in this edition will operate as indicated efficiently and properly and that all necessary components to manufacture the same will be available no responsibility is accepted in respect of the failure for any reason at all of the project to operate effectively or at all whether due to any fault in design or otherwise and no responsibility is accepted for the failure to obtain any components parts in respect of any such project. Further, no responsibility is accepted in respect of any injury or damage caused by any fault in the design of any such project as aforesaid. The Publisher accepts no responsibility for unsolicited manuscripts, illustrations or photographic material.

next month



SCANNER ANTENNA SYSTEMS

A follow up to the scanning feature in this issue, this article goes into the sort of antennas required, what there is available to buy, practical tips on installing them, plus how to build simple ones.

INTERFACING AND PROGRAMMING THE MICRO-GRASP

Full construction details of the interface board for the Micro-Grasp plus details on interfacing and programming this low-cost robot arm. You can configure it either as a memory-mapped peripheral or as a port-addressed peripheral — please yourself. It's versatile!

0-40 V/5 A LAB. SUPPLY

Here's a fully-protected lab-standard power supply with variable voltage control from zero right to 40 V, variable current limit from zero to 5A, plus voltage and current metering, that's economical to build.

HOW TO USE DVM MODULES, PART 2

Concluding part of this popular feature. Next month Ray Marston gives details of a multi-range digital multimeter, digital thermometers, a digital frequency meter etc, plus construction tips. Don't miss it.

VCR HEAD CLEANERS — DO THEY WORK?

A contentious subject. Next month we take a provocative look at VCR head cleaners and what they do and review a number of well-known brands on the market.

Although these articles are in an advanced state of preparation, circumstances may affect the final content. However, we will make every attempt to include all features mentioned here.

JAYCAR ZERO

ALL SPECIALS SHOWN ON THIS PAGE ARE EITHER



Fully
Guaranteed **\$12.50**
\$36.50
INTRIGUING

For years and years 240V mains powered strobes have been selling for between \$30 and \$40. Even kits are around \$36. So why is it that Jaycar can sell a 240V strobe - guaranteed - for \$12.50?

We can tell you for a start that we're not selling them below cost. Even at \$12.50 we're doing OK.

Why so cheap? Well they were made for a well known electronics chain. Their Q.C. (Quality Control) Department rejected them on the grounds that around 5% of them were faulty. That was an unacceptable figure considering the very good name that the chain has in this country. All goods were rejected (even the 95% good ones) and sent back to the Importer.

The Importer came to us with his problem. We said that we would sell them PROVIDED we could offer a 90 day guarantee on the item. Whilst all stock has been checked and the duds weeded out we STILL feel that even at \$12.50 you deserve a comeback if we sell you faulty goods. So that's it. You get a 240V strobe that is perfectly OK for \$12.50. Compare THAT with the \$36.50 that you will pay elsewhere. It's almost too good to be true except for one thing. It's true. FULL 90 DAY WARRANTY - Cat. XM7005

JUMBO SPEAKER CABLE

Now you can have super-quality cable without breaking the bank! Each conductor contains a MASSIVE 259 strands of 0.12mm wire!! It could carry 30 amps! Great for Hi Fi or high power amps.



Only \$2.50/m
100m \$2.00/m
Cat. WB1732

4116 RAMs 150ns - GOING CHEAP

We have secured a quantity of 4116 (150ns) RAMs at a price which means great savings to you. Why are they cheap? Well they don't actually have '4116' branded on them. They have '9016 FPC' on their little backs. They are used in a well known TV-game computer and this is the 'House Number' for their 4116. If you have ever had to buy a non-standard replacement part you will know that the 'House Number' part can be VERY expensive. We don't want to sell them as 9016 FPC's we want to sell them as 4116's - and at a great price. The normal (i.e. lower than most) price for our 250ns 4116 is \$2.50. You can grab a 9016 FPC (150ns) 1-off for only \$1.95!!! For larger quantities see below:

Cat. Z28419

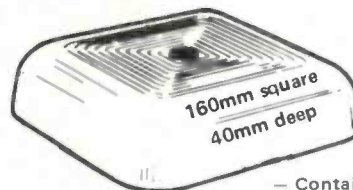
This price Includes sales tax!!



1-9 pcs \$1.95
10-24 pcs \$1.85
25-99 pcs \$1.75
100+ \$1.65

GE Consumer Products

Smoke Detector
CONSUMER FLOP - CONSUMER FLOP
CLUB, HOTEL, HOSTEL & MOTEL MANAGERS
PLEASE NOTE



Cat. LA5006

FROM \$12.50

- Contains Americium 241 Ionization Chamber

- Contains very loud solid state buzzer

- 12 month factory warranty.

One of the greatest consumer flops of the last decade was the Ionization Chamber Smoke Detector. Even though it is a brilliant product (reliable compact, easy installation, fail-safe etc) it just did not sell. Human nature being what it is finds safety-oriented products just not worth the investment. We all know that accidents and fires never happen to US!! As smoke is the greatest killer in a fire, the market research gurus thought that such a product would have a wide appeal. When they were \$49.50 no-one wanted them. The price fell to a very reasonable \$29.50 and still they stayed on the shelf. We have now been instructed to clear them for less than 1/2 of \$29.50.

QUANTITY PRICES

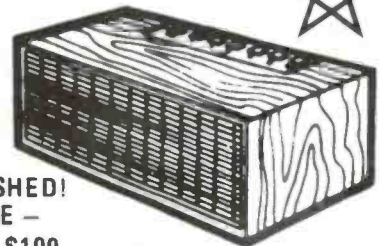
1-\$14.50: 2-5 \$13.50ea: 6-10 \$13.00ea: 10 up \$12.50ea

Burglar Alarm

GENERAL ELECTRIC

FROM \$23.95

Cat. LA5004



BURGLAR ALARM SLASHED!
HUGE SCOOP PURCHASE -
ONCE SOLD FOR OVER \$100

Amazingly low price for a full feature ultrasonic proximity/burglar alarm. + Completely self contained + 12 month manufacturer guarantee + Instant or delayed alarm + Handsome imitation woodgrain + Cabinet measures 180(w)x85(h)x100(d)mm + Programmable multi-code disable switch + Single 9V Alkaline battery* lasts one year + unit beeps when battery gets low + Contains receiver element designed for greater sensitivity without false triggering + Uses state-of-the-art LSI circuitry + Worth the money in parts alone + Comprehensive 24 page manual included + Comes complete with 4 window deterrent stickers + Absolutely no installation needed * Battery extra.

1-\$29.50: 2-5 \$25ea: 6-10 \$24.50ea: 10up \$23.95ea

MORE HAVE BEEN FOUND!!

We keep surprising ourselves by finding more of the Smoke Detector and the Burglar Alarm - but it's true!
We still think that this is great news as these products have been very popular indeed. We have literally sold thousands and we will still sell the remaining stocks at fantastic low prices. The Smoke Detector is still selling for \$14.50 and the Burglar Alarm is still 1/2 the price of its nearest competitor!

INFLATION SALE

THE SAME PRICE AS LAST YEAR – OR BELOW!

low cost hi fi system



Woofer not to same scale as other components



FROM \$24.98



That's right a 3-WAY HI Fi speaker kit from only \$24.98!! Each kit contains a massive 10" (250mm) woofer, cone midrange and DOME tweeter!! You also get, at no extra charge, the special crossover capacitors! The system is rated at approximately 20 watts RMS so it is ideal as an economical but reasonably powerful main Hi Fi unit or as a second system for another room or outdoors. Each 3-way kit comes with a recommended enclosure design which you can build yourself easily! You would normally pay well over \$60.00 for the equivalent from major kit speaker suppliers so this represents an outstanding bargain!

BUT HURRY ONLY 250 PAIRS

Sensitivity of system 93dB/1m/1 watt

Cat. AK 3700

P.S. Bonus. These speakers are made in JAPAN, not a South Asian country.

3 - WAY SPEAKER SYSTEM

\$29.95 a set

2 SETS (6 SPKR) FOR STEREO ONLY \$49.96



UNBELIEVABLE SAMPLE BAG OFFER!
* A huge 20" x 10" bag FILLED with goodies

\$5⁵⁰ 1983



Once again we have a GIANT Easter Showbag. This is the third year of our showbag and the 1983 bag is by far our best. But we do not have nearly as many bags this year so it is VERY IMPORTANT to get your order in early! (We also don't have room to describe the bag in detail.)

Once again the huge 20" x 10" bag is filled with goodies including:

Hardware pack, Resistor pack, Knob pack, P.V.C. (spaghetti sleeving), 3 x Hobby Electronics Mags, 1 x Phantom comic, a 2 watt Audio IC with circuit and dozens of other parts. (Note: not all bags are exactly the same and we reserve the right to delete some advertised items from the bag but promise to make it up with other components of equal or greater value).

ZERO INFLATION! THE SAME PRICE AS LAST YEAR \$5.50

Post and packing on this item is \$2.00 – because of staggering rate increases this year.

MORE EDGE CONNECTOR BARGAINS

Over the past 6 months we have sold thousands of quality PCB edge connectors. And STILL we have more bargains!

Edge Connector No. 1

This component has a 0.11" pitch 72 way (2 x 36) configuration. Each contact is heavily gold plated and bifurcated for lower contact resistance. The 0.025 square terminations will PC mount or take one level of the ends. Outstanding quality for the price.

Cat. HE-8655

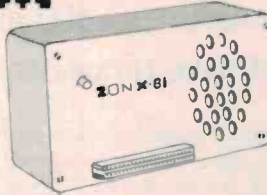
1 – \$2.95
10+ \$2.45

Edge Connector No. 2

This component has a 0.156" pitch 86 way (2 x 43) configuration. Once again each contact is heavily gold plated and bifurcated. The termination is of the solder-lead type. The body is identical in fashion to the HE-8655

Cat. HE-8656

1 – \$3.45
10+ \$2.95



PRICE SLASHED!!

SAVE \$10

\$59⁵⁰

~~\$69.50~~

SINCLAIR ZX-81 COMPUTER SOUND GENERATOR

Make amazing sound effects with your Sinclair Computer.

- The ZON X-81 SOUND UNIT is completely self-contained and especially designed for use with the ZX-81. It just plugs in – no dismantling or soldering.
- No power pack, batteries, leads or other extras.
- Manual Volume Control on panel – ample volume from built-in loudspeaker.
- Standard ZX-81 – 16K RAM pack or printer can be plugged into ZON X-81 Sound Unit without affecting normal ZX-81 operation.
- Huge range of possible sounds for games or: Music, Helicopters, Sci-Fi, Space Invaders, Explosions, Gun-Shots, Drums, Planes, Lasers, Organs, Bells, Tunes, Chords etc., or whatever you devise!
- Uses 3 channel sound chip giving programme control of pitch, volume of tones and noise, all with envelope control.
- Easily added to existing games or programmes using a few simple "BASIC" lines.
- FULL instructions with many examples of how to obtain effects and the programmes, supplied.
- Extension card at base of unit allows further use of Sinclair Expansion Card. Cat. KJ6620

BELOW COST EA & ETI

But only at our Carlingford store. That's right, to encourage you to visit our Carlingford store you can buy the LATEST ISSUE of EA or ETI for ONE DOLLAR! That is definitely BELOW our cost price. But ONLY at the Carlingford store.

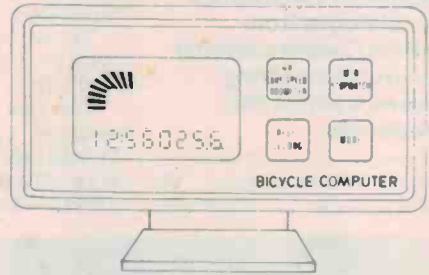
(The post and packing charges make mail ordering EA & ETI uneconomical)

PLEASE DO NOT ASK FOR THIS OFFER AT OUR YORK STREET STORE

only \$1 BELOW COST

APRIL – ZERO INFLATION MONTH

\$49
SAVE \$10



BICYCLE COMPUTER

- Digital computer for your bike!
- Works on wheels 20" thru 27"
 - Bar type speed indicator to 60Km/hr or 60 miles/hour
 - Digital odometer and tripmeter
 - Stopwatch function
 - Average speed calculation
 - 12 hour clock display
 - Detachable
 - Speed transducer included
 - Liquid crystal display with micro lights for night use
- We were selling these units for \$59.00 before Christmas. A compact 115(W) x 52(H) x 45(D)mm. Readout unit only dimensions. Cat. XC-2005

Jaycar NUMBER 1 FOR KITS

175 YORK STREET, SYDNEY 2000
PHONE 264 6688 TELEX 727293

'NEVILLES CORNER'
CH. CARLINGFORD & BENNANT HILLS ROAD,
CARLINGFORD

PHONE 872 4444

MAIL ORDERS TO: BOX K 39 HAYMARKET, SYDNEY 2000

POST AND PACKING CHARGES
\$5 – \$9.99 (51 50) \$10 \$24.99 (52 20)
\$25 – \$49.99 (54 50) \$50 \$39.99 (54 50)
\$100 up (56 00)

NEVILLES CORNER
175 YORK ST. SYDNEY 2000
Phone: 264 6688

Mail Order By BANKCARD
Via Your Phone



Australian robot makers break into the US market

Flexible Systems, makers of the Tasman Turtle robot (see ETI, April-May-June '82), have gained an order from Harvard Associates of Massachusetts worth \$2.5 million. Who said Australian technology couldn't make it in the US?

Flexible Systems was established in Hobart, Tasmania, a little under two years ago by Allan Branch and Adrian Firth.

The concept of a turtle-like robot was first developed in the US about 10 years ago and in 1974 the Elizabeth Computer Centre started using one.

About 1980 Allan Branch set out to update the concept and designed a high performance unit that could be used to accurately draw graphics, be easily interfaced to a computer and controlled with simple programs. After more than a year of development, the Tasman Turtle was born.

In January 1982, Allan and Adrian approached the Editor of ETI, Roger Harrison, about doing the Turtle as a project. It subsequently appeared in the April to June issues in 1982, kits being

offered by Flexible Systems at a special price. It created a great deal of reader interest. Many educational institutions, businesses and hobbyists got their first taste of robotics from the Tasman Turtle project.

In January this year, Allan and Adrian went to the United States and appointed Harvard Associates as their distributor. They gained orders for over 100 Turtles in the first month and Flexible Systems expects to receive around \$10 million worth of business over the next two years from the North American market.

Flexible Systems is only a small firm, currently employing two people full time and five part time. They expect to more than double this shortly, expanding to over 30 employees later.

The Tasman Turtle is available in a variety of configurations,

and group instruction is a complete training package with texts, workbooks, a fully detailed instructor's guide, trainers and training materials for hands-on experiments and examinations.

The self-study series provides effective training on-the-job or in-the-field.

The free catalogues can be obtained from Warburton Franki Ltd, 372 Eastern Valley Way, Chatswood NSW 2067. (02) 407-3261.



ranging from a 'Minimum Turtle' at \$495 through to a 'Standard Turtle' (with general purpose interface, etc) at \$644, to a 'Talking Turtle' with voice synthesiser (vocabulary ranges from 150 words to 600 words) at \$899. A variety of special interfaces, including Apple II and RS232 interfaces, are also avail-

able along with software in BASIC and Logo.

The Tasman Turtle has applications in many educational areas as well as business uses such as publicity work, etc.

Further details from Flexible Systems, 219 Liverpool St, Hobart Tas. 7000. (002)34-3064.

Educational system catalogue

Warburton Franki have a new catalogue from Heathkit/Zenith covering their problem solving courses, trainers and accessories.

The series of courses are now available in two formats. The textbook series for classrooms



Standards in legislation

Australian standards are used by government departments as a means of specifying technical requirements in legislation.

But for these standards to be complied with people must not only know of the existence of the standards but also know whether or not they have a legal obligation to comply with a particular standard in the course of their business.

It's quite a daunting task for anyone to ascertain compliance requirements, considering that there are currently in excess of 3000 published Australian standards.

So to make life a little easier for us the Standards Association of Australia has published a handbook, HB 4 — Register of Australian Standards Referenced in Legislation, which identifies the 1100 standards which are referred to in legislation, be it Commonwealth, State or Territorial. It also records the legal nature of the reference.

As standards are subject to amendment, updated editions of

HB 4 will be published, perhaps on an annual basis.

Copies of HB 4 can be purchased from any SAA office at a cost of \$30 plus a \$3.50 postal and handling charge.

Big dish to orbit

A large 'passive satellite' parabolic dish is under development at the Stanford Research Centre in Menlo Park, California.

To be called the "Space Mirror", the dish will be placed in a low geostationary orbit. Its purpose will be to reflect transmission from earth in the range 500 kHz to 10 GHz, according to reports.

The device will be constructed from a mesh of wires, each only a few Angstroms thick, the whole dish weighing less than a tenth of a gram.

The quiteron — a superconducting transistor

A new superconducting electronic device with operating characteristics similar to those of semiconductor transistors, but based on entirely different physical principles, has been experimentally demonstrated at the IBM Thomas J. Watson Research Center in Yorktown Heights, New York.

Like the semiconductor transistor, the quiteron has been shown to amplify and invert incoming signals and to switch rapidly. But the quiteron can perform such switching at much lower levels of power dissipation, making it attractive for high-speed applications that require very high levels of circuit integration.

IBM claim that it is the first three-terminal superconducting device that can both amplify and switch, and therefore shows potential for application in analogue and digital circuits, although its design and operation have not yet been optimised.

The quiteron consists of two tunnel junctions formed by three

thin films of superconducting materials separated from one another by two, even thinner films of insulating materials. It makes use of the non-equilibrium superconductivity phenomenon known as the heavy-Quasi-particle-Injection Tunneling Effect.

The as yet unoptimised quiteron is a nonlatching device with a small-signal power gain of 10 and large-signal (digital) power gain of 3 which, it is claimed, should be sufficient to drive other quiterons. It has a switching speed of less than 300 ps and a power dissipation about 1/100 of that of state-of-the-art high-speed semiconductor transistors.

Australian made call diverters

Quinrix is an Australian company which is trying to beat inflation and rising prices. Aren't we all?

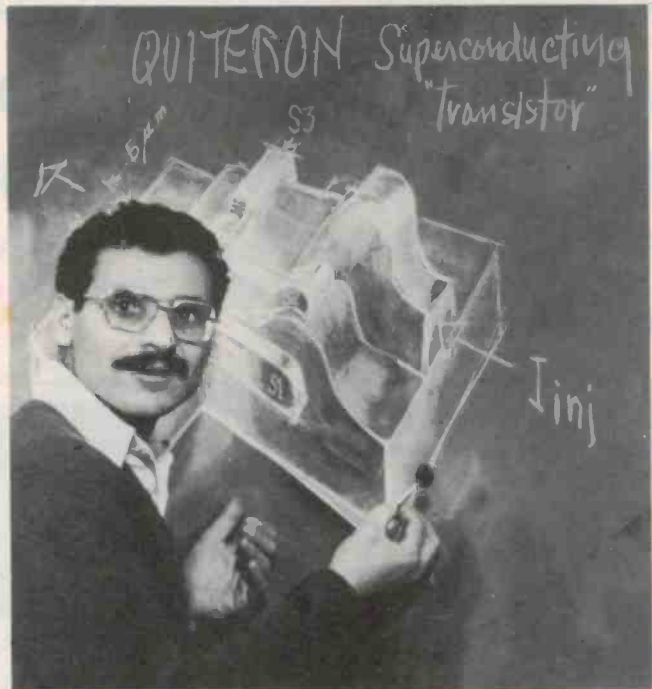
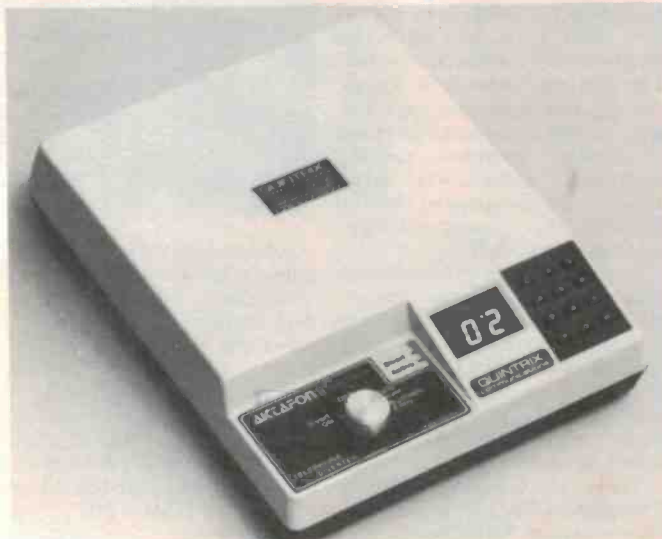
Prices of its new range of Akafon 2 automatic telephone diverters start at \$795 which includes many previously charged-for extras.

A recorded voice announcement, provided with any approved telephone answering machine, answers the caller while the Akafon 2 diverts their call to another number. It can store up to seven telephone numbers and these can be remotely selected

from any telephone using voice control.

Diversion can be remotely switched on or off and the rotary system and sequential call sharing are available at an extra charge.

Artafon 2 call diverters are being marketed Australia wide by Voca Communications and Quinrix Pty Ltd. Quinrix can be contacted at: 20 Mavron St, Ashwood Vic. 3147. (03) 277-2277.



Latest publication from Tektronix

Tektronix has released the third issue of Teknews which is a quarterly publication distributed throughout the electronics and computer industries.

It includes details on seminars, training courses, other Tektronix product specific magazines and Tektronix product information.

Teknews is free and is sent to everyone currently registered on

Tektronix' Information Program. Anyone from the electronics industry interested in receiving Teknews should contact their local Tektronic office or 80 Waterloo Rd, Nth Ryde NSW 2113. (02) 888-7066.

Classifieds

Position Vacant: PARADISE OWNERS OF MOD I, MOD III. & RECORDING STUDIOS, SYDNEY. SYSTEM 80 COMPUTERS. Use your General Manager: 26,000 p.a. computer to transmit and receive Commercial, technical, musical and Morse, RTTY & ASCII. Programmers sound engineering experience delve into the secrets of your ROM. would be preferred. Please direct Amateurs. The RICHCRAFT books your resume etc. with as much information as possible, in writing your computer in these modes. to S.M. Allen, 70 Judge St, Disks also available. Send SASE for full details. NORTHERN DIGITAL. Woolloomooloo 2011. All applications will be received in the strictest of confidence. BOX 333, CHARLESTOWN, 2290.

COMPUTERS: call us for the best price on full range of Commodore & Osborne computers. Inc. software and component parts. See our add this issue Data Parts. Shepparton. Phone (058) 217155. 210240.

HP41C/CV owners. Increase program capacity of your machine. Load up to 16K of program into EPROM (ROM emulator) which plugs into any port. Compact size. powered by calculator. Dataprom Pty Ltd. P.O. Box 476. Hurstville NSW 2220.

PCB's and SCREEN PRINTING at the best prices. Short runs, long runs from your own artwork. Contact Peninsula Circuits, 7 Portrush Gr., Mornington 3931. (059) 75 5568.

SORCERER Disk Upgrade Kit with manual. Many Pro features. MICRO-POLIS \$44.95. EXIDY FDS \$39.95. A must! Also free Soft. catalogues. PJB Box 252. Forestville 2087.

COMPUTER Clinic repairs and services Sorcerer Pet. Apple System 80. Super 80. Tandy and others. (07) 269 8573. P.O. Box 68. Aspley, Qld.

Australian-made 50 MHz dual-trace CRO breaks \$800 price barrier

BWD's new Model 821 oscilloscope is a dual-trace unit with 50 MHz bandwidth, 1 mV to 20 V per division sensitivity range and a special 'mix-mag' expanded trace function and priced at \$750 retail.

The mix-mag facility, unique to the BWD 821, enables you to get a ten times magnification of any proportion of the trace from 0% to 80% simply by pulling and turning a knob.

Normal x10 magnification is incorporated and the trace can be expanded to x100 using the mix-mag function to provide facilities similar to a delayed sweep CRO but without the complexity, BWD claim.

The mix-mag facility can be used to examine teletext, sync pulse or video signals of VCRs, television receivers or studio equipment.

Other features of the BDW 821 include: a 7 ns rise time from 5 mV/div., 20 ns/div. maximum sweep speed, 75 MHz triggering, TV line and frame triggering selection, bright trace with 6 kV EHT and internal tube graticule.

Two 100 MHz probes are included, a x10 and a x100. High sensitivity vertical amp. inputs enable low level signals to be



viewed, such as from tape recorder heads, pickups and microphones, etc.

The BWD 821 is suited to use in communications, industrial control, research and development, video and microprocessor applications.

Full details can be obtained from BWD in Melbourne at **Miles St, Mulgrave Vic 3170; (03) 561-2888**, or Sydney at **10 Euston St, Rydalmere NSW 2116; (02) 884-1800**.

Free catalogues by Fluke and Datel-Intersil

The new Fluke 1982/1983 catalogue features all the equipment manufactured by Fluke Manufacturing Inc.

All products are organised into groups by function and performance together with their relevant specifications.

A new short form 48-page catalogue by Datel-Intersil contains product listing and information on hybrid and monolithic modules such as A/D and D/A converters, S/H and MUXs etc. It also includes analogue I/O boards, DPMs, digital panel printers and power supplies.



All products are organised into quick selection charts and are categorised by function and performance, making it easy to select the correct product for a given application. Ordering information is also included.

For a free copy of these catalogues contact any Elmeasco office. Elmeasco Instruments Pty Ltd, 15 Macdonald St, Mortlake NSW 2137. (02) 736-2888.

B&K-Precision 5 MHz sweep/function generator

The B&K-Precision model 3030 is a sweep/function generator which covers frequencies from .001 Hz to 5 MHz in eight ranges.

Kelvin-Variety dividers are used as start/stop controls to set the low and high end limits of the desired frequency sweep and sweep times are selectable from 10 ms to 100 s. Linear or

logarithmic sweep operation is provided or the 3030 may be externally swept.

The symmetry control, continuously variable from 5% to 95% duty cycle, can alter the shape of any waveform selected. Open circuit output is 20 V_{P-P} or 10 V_{P-P} into a 50 ohm load. For gain or loss measurements three attenuator switches provide calibrated attenuation from 10 dB to 60 dB. Another control provides continuously variable attenuation to 20 dB.

In addition to conventional function generator applications, the 3030 can be used to generate toneburst signals for audio speaker tests, TIM distortion test in amplifiers, communications systems decoder alignment and audio compressor/expander attack/decay time measurement.

They are available from **Parameters Pty Ltd, 41 Herbert St, Artarmon NSW 2064**.





Multiplexer adds multichannel analyser capabilities

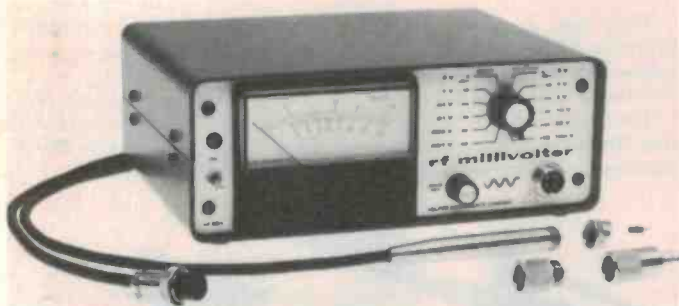
A multiplexing device which converts a general-purpose single- or dual-channel oscilloscope into an eight-channel instrument has been developed by GSC.

The new Model 8001 multiplexer functions in the same way as a simple logic analyser minus its memory. It allows simultaneous events on different channels to be compared and displayed in direct relationship to one another.

Input to the multiplexer is via eight BNC connectors and the instrument will accept signals of

± 5 V (10 V peak-to-peak) with a frequency response which is flat to 12 MHz and 3 dB down at 20 MHz. Input impedance is 1 M.

Global Specialties Corporation is represented in Australia by Vicom International Pty Ltd, 57 City Rd, Sth Melbourne Vic. 3205. (03)62-6931.



RF millivoltmeter covers 300 μ V to 100 V, to 1 GHz

A new wide-range, wide bandwidth RF millivoltmeter covering 300 μ V to 100 V in 11 ranges and having a bandwidth of 1 GHz is now available from Vicom.

Manufactured by the US Helper Instruments Co., the new meter is known as the Model RF-801. It includes a unique probe design which permits low inductance ground connection for repeatable, accurate measurements.

Circuit loading in any measurement mode is claimed to be less than 2 pF. A separate teflon probe nose extension is also available with the unit.

The 1 mV (300 μ V min. reading) to 300 mV ranges (-50 to 0 dBm) are direct-reading while the ranges to 100 V are via a 50 dB pad. Calibration is provided in both RMS volts and dBm.

Further details from Vicom, 57 City Rd, South Melbourne, Vic. 3205. (03) 62-6931; branches in NSW and New Zealand.

KEITHLEY

The better buy.



Superior design. Superior performance begins at the design stage. Our Model 129, like all Keithley DMMs, was designed to provide reliability and long life in industrial use. Extensive user research helps us understand your needs and provide optimum capabilities without unneeded features that add to cost and increase the chances of failure.

10A current range. Unlike most handheld DMMs, the 129 has a fuse protected 10A range. 0.8% basic DCV accuracy and five functions make it ideal for most field service needs.

Field service strong.

Ruggedness is important in field service. The 129 features a 2.5mm thick, impact-resistant case, scratchproof LCD and faceplate, and cushion-mounted LCD display.

Easy to use.

The 129's unique package was designed to make Keithley handhelds the easiest to use DMMs available.

The 129 has a large LCD, rotary switches that can be used with either hand, a color coded faceplate and externally accessible fuse and battery.

When you consider other practical niceties like auto zero, auto polarity, one-year warranty and local service, you realize that the 129 was designed to be the better buy.

A full line of accessories, including test leads, probes and carrying cases, is available to enhance the usefulness of your Keithley DMM.



SCIENTIFIC DEVICES AUSTRALIA PTY. LTD.

2 JACKS ROAD, SOUTH OAKLEIGH, VICTORIA, 3167.
TELEPHONE: 579 3622
P.O. BOX 63, SOUTH OAKLEIGH, VICTORIA, 3167. TELEX: AA32742
CABLES: DEVICES MELBOURNE
31 HALSEY ROAD, ELIZABETH EAST, S.A., 5112.
TELEPHONE: (08) 255 6575
35-37 HUME STREET, CROWS NEST, N.S.W., 2065.
TELEPHONE: (02) 43 5015

IC decoupling capacitor is no dill!

A high performance decoupling capacitor designed to reduce transient noise in pc board supply rails up to 10 times more effectively than conventional methods has been introduced by Soanar Pty Ltd.

Made by Rogers Micro/Q, the specially-packaged capacitor is claimed to be an entirely new concept in decoupling techniques.

Effective noise decoupling for optimum performance of large dual-in-line ICs has traditionally been quite difficult. The leads that connect ordinary decoupling capacitors to supply and ground rails can generate voltage 'spikes' owing to their relatively high inductance.

High transient current levels and fast waveform rise times produce quite high voltage spikes which can propagate via supply rails and interfere with proper system operation.

The only practical way to reduce voltage spike amplitude is to reduce inductance on the path leading to the decoupling capacitor.

With conventional capacitors, inductance can only be slightly reduced by special printed circuit board layout.

With Micro/Q decoupling capacitors, inductance can be cut by an order of magnitude, effectively reducing voltage spikes by the same degree, the makers say.

Micro/Q capacitors are flat and very thin (about 1.2 mm) and are designed for use directly under or over dual-in-line ICs. They are available in various lengths to suit 14, 16, 18, 20, 22,

Texas Instruments adds Rifa electronics

Texas Instruments Australia recently announced the appointment of Rifa electronics as its newest Australian semiconductor and IC sockets distributor.

The announcement was jointly made by Texas Instruments' Managing Director Mr. Peter Dixon and semiconductor Marketing Manager Mr. Ian Hawkins.

Rifa, headquartered in Mel-

24, 28, 40, 48 and 64 pin ICs.

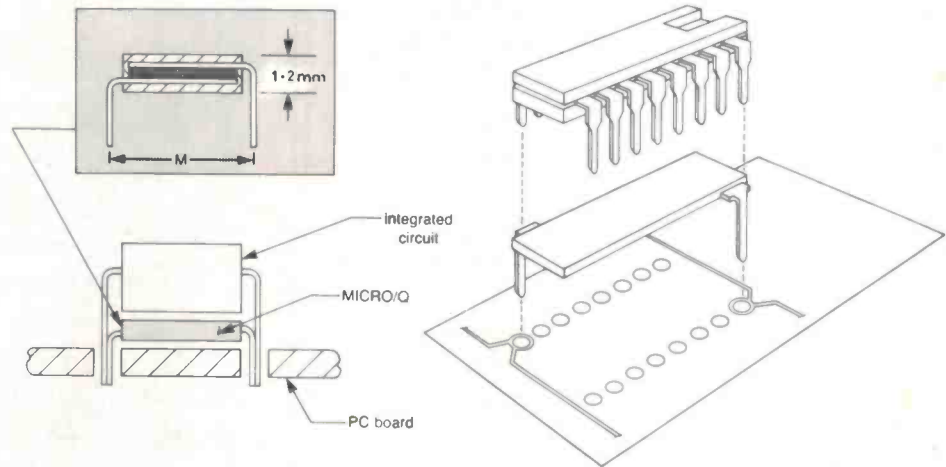
They have very low inductance by using wide, closely spaced conductors. Their pins share the same holes as the IC pins, further minimising inductance and, since they fit directly under or over the ICs, absolutely no pc board redesign is necessary and increased IC package density is possible on double-sided and multilayer printed circuit boards.

Further information on Rogers Micro/Q capacitors is available from Soanar Electronics Pty Ltd, 30 Lexton Road, Box Hill Vic. 3128. (03) 840-1222.

bourne, also has sales offices in Sydney and Brisbane, with a nationwide sales force in excess of 30. Rifa's Marketing Manager, Mr. Ian Hansen, said his company is excited about adding TI to its products as the TI name is associated with quality and innovation.

The Rifa account will be handled by TI's Sales Manager for southern regions, Mr. Kevin Routledge, out of TI's Melbourne sales office. Texas Instruments Australia will be moving into new headquarters in North Ryde NSW in December. Other TI sales and service locations are in Brisbane, Adelaide and Perth.

TYPICAL INSTALLATION



Plugs, sockets and fuseholders

Belling & Lee 3 mm test probe plugs, fixed sockets and free sockets will be useful to all test equipment manufacturers and users who require safe test probes.

They are available in red, green or black, have a current rating of 10 A and are safe to BS 415 and IEC 65 to 1000 VRMS.

The fuseholders meet Australian, British and European safety standards. All live parts are well

within the body of the moulding, making them fully finger proof and probe proof.

For further information contact Tecnico Electronics, 67 Mars Rd, Lane Cove NSW 2066. (02) 427-3444.



One amp DIP bridge

Warburton Franki have announced the introduction of the IDMB series of International Rectifiers' line of single-phase diode bridges.

This DIP is rated at one amp and is available with V_{RRM} of 100, 200 and 400 volts. Like the HEXDIP, the IDMB is supplied in plastic tubes (80 units per

tube) for automatic insertion equipment.

The IDMB can be used in power supplies, Ni-Cad battery charging, ac instrumentation or meter protection.

More information can be obtained from Warburton Franki Ltd, 372 Eastern Valley Way, Chatswood NSW 2067. (02)407-3261.

ALL ELECTRONIC COMPONENTS

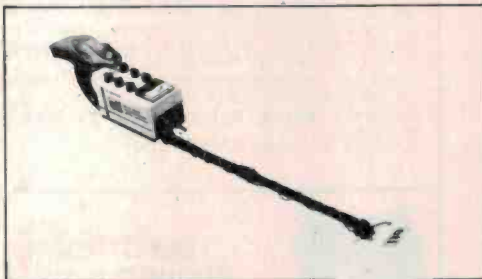
118 LONSDALE STREET, MELBOURNE, VIC. 3000. TEL 662 3506.

MAJOR STOCKISTS OF ALL GENERAL RADIO AND ELECTRONIC COMPONENTS

KIT SET SPECIALIST

JOIN THE GOLDRUSH

ETI 1500 KITSET



Superb unit featuring:

- Tune and discriminate.
- 4 modes of operation.
- VLF/TR design.
- Ground balance.
- Auto balance push buttons.
- Pre-wound search heads.
- Very professional unit.
- Approximately 1/3 price of many similar commercial built up locators.
- Audio and meter indication. Lets you know when to rejoice.

PRICE: \$193.50 including pre-drilled and punched case, or \$179.99 not including case plus \$10.50 p&p reg. post.

All AEC KITSETS contain only top quality prime specification components by recognised manufacturers. Don't be misled by other so called "KITS" which do not meet ETI and EA standards.

Give yourself and your Kitset every chance of success.

ALL PARTS COVERED BY MANUFACTURERS WARRANTY

TRANSISTOR ASSISTED IGNITIONS

ETI 316
\$33.30 plus \$5 p&p



ETI 3/6
\$33.50 plus \$5 p&p
Features include:
Built in dwell extension.
Improved performance and economy.
Simple to install.



As per EA feb. '83.
\$34.14 plus \$5 p&p
Features include:
Built in dwell extension.
Add-on opto-electronic trigger option
(\$17.38 plus \$3.00 p&p)
Maintains coil current and therefore spark energy at very high engine speeds.
Includes die-cast case and heat sink.

'PRO' BENCH POWER SUPPLY

ETI 142
0-30 VOLTS;
0-15 AMPS!
\$272.64 plus \$10.50 pack & reg. post.



A phenomenal supply with professional finish and professional performance. It features 20 mV regulation from zero to full load, 10 mV ripple and noise, voltage and current metering on separate meters, overload protection and adjustable current limiting. Sturdy metal cabinet with silk-screened aluminium front panel supplied.

PHILLIPS SPEAKER SPECIALS 4 WAY (100W)

ADO 12250 W8	\$76.83
ADO 70601 W8	\$21.03
ADO 2160 SQ8	\$35.88
ADO 1610 T8	\$13.54

3 WAY (60W)

ADO 12650 W8	\$48.07
ADO 5060 SQ8	\$20.74
ADO 162 T15	\$12.46
ADF 500-4500/8	\$21.52

(cross over)

P&P for speakers

Allow 10% for order value up to \$100

Allow 5% for order value over \$100

(NOTE *MIN. P&P CHARGE \$2.28)

ALTRONICS ... ALTRONICS ... ALTRONICS ... ALTRONICS ... ALTRONICS ... ALTRONICS ... ALTRONICS ... ALTRONICS ... ALTRONICS ... ALTRONICS ...

ALTRONICS ... ALTRONICS ... ALTRONICS ... ALTRONICS ... ALTRONICS ... ALTRONICS ... ALTRONICS ... ALTRONICS ... ALTRONICS ... ALTRONICS ...

ALTRONICS ... ALTRONICS ... ALTRONICS ... ALTRONICS ...

EA DRILL SPEED CONTROLLER MK II

For Universal Brush Type Motors Drawing up to 3 amps.



Varies motor speed from a few RPM to full speed while maintaining good torque. Suitable for:— Drills and Drill Presses; Circular Saws; Jlg Saws; Food Mixers; Movie Projectors. ALTRONICS Kit is complete with mains flex and plug and is supplied with Jiffy Box and solid steel front panel.

K 6005 VALUE \$13.95

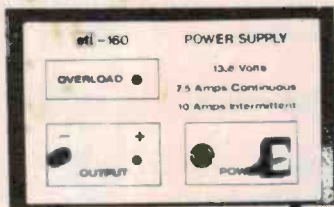
THE EVER POPULAR MUSICOLOUR IV EA PROJECT



Combination Colour Organ and Light Chaser. Four channel colour organ. Internal microphone or connect to speakers for colour organ operation. (The lights connected to each channel pulse in beat to the music proportional to portion of frequency spectrum concerned.) Four chaser modes forward and reverse. Output lamp load capacity a massive 2400 watts — that's 100 party globes. Full instructions and every last nut and bolt included. Great for parties, shop signs, display windows etc.

K5800. \$89.50

13.8V HIGH CURRENT SUPPLY



(See ETI JULY 1982)
 • Output voltage 13.8 Vdc.
 • Output current 7.5A continuous 10A intermittent
 • Regulation — 0 to 7.5A : 50mV
 Save the expense of a mains powered rig. Kit complete in every way.

K3250. \$84.00

ALTRONICS K 3350 MICROCOMPUTER POWER SUPPLY

+ 5 Volts @ 3 Amps, + 12 Volts @ 2 Amps, — 12 Volts @ 200 mA



This universal computer power supply is based upon an EA design. (Our version is updated).

- + 5 Volts for memory, CPU all Micro's.
- + 12 Volts for RS232 interfaces etc.
- 12 Volts handy for additional hardware using OP Amps.
- * Uses TO-3 Regulators + 5 V and + 12 V.
- * Heavy Duty Fan Type Heatsink.
- * Complete Boxed Kit with Delux Front Panel.

NOTE: This unit has enough grunt to power most small disk drives.

K 3350 \$59.50

TRANSISTOR ASSISTED IGNITION WITH DWELL EXTENSION



The Altronics Kit includes all components for the modifications, detailed by Electronics Australia Feb. 1983.

Yes, it's bad enough paying \$2.00 a gallon for petrol without wasting a fortune on an out of tune engine. Fit this transistor assisted ignition kit in minutes and start saving money from the very next petrol stop. Easy to build!

K 4010 \$35.00

CURRENT TRIP CAR ALARM

Exit / entry delay
 No false alarms
 State of the Art
 Design by ETI



Protect Your Valuable Car and Contents

Circuit detects minutest voltage drop across vehicle's battery earth strap, tripping the alarm * uses Millspec LM394 * Quality diecast box * genuine fujitsu relay * automatic reset after pre set time period * installs in minutes * includes dash mounting LED-flashes to deter thieves.

K 4330 \$29.50

CAR ALARM ETI 084

A staggering number of cars are stolen each year. Install an Altronics Alarm Kit and yours won't be one of them.



Circuit operates by detection of voltage drops in the electrical system and features a flashing LED for dash mounting as a deterrent to would be vandals and thieves.

K 4084 \$12.00

BATTERY CONDITION INDICATOR

Ingeniously simple circuit indicates battery low-okay-overcharging. ETI Kit

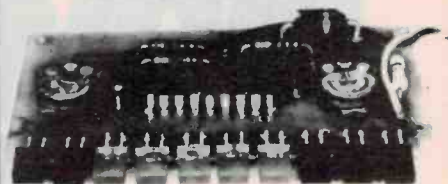


An Investment Against the Cost of a New Battery

K4320. \$4.95

EXPANDED-SCALE LED VOLTMETER

HAS MANY APPLICATIONS



ETI design suitable for lead-acid wet cells, lead acid gel electrolyte, vented nickel cadmium types and so on and so on.

Unit covers range of 10.5v to 15v

Determine battery condition instantly

Easy to Build!

K4326. \$9.50

ETI "AUTO TESTER"

Handy little test gadget will enable you to check voltage drops, on/off battery charge voltages and resistances in any vehicle electric systems.

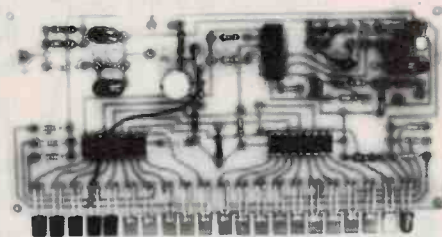
Unit indicates: reversed polarity * voltage drops of 0.5V or less * voltage between 12V and 13.5V * voltages above 13.5V * resistance below 150R * resistance 10K or above * resistance 50K or above.



Polarity and Overvoltage Protection Complete Boxed Kit

K4334. \$14.50

TWIN RANGE LED TACHO (see ETI Aug 1980)



Unit suitable for 1, 2, 3, 4, 6 and 8 cylinder vehicles, 2 stroke or 4 stroke * fully compatible with conventional, CDI and transistorized ignition systems * includes protection circuitry to prevent noise and high voltage spikes from the points and coil circuit damaging the electronics. *

Display flashes when over-revving occurs * only 3 connections required to electrical system.

Check The Performance of Your Vehicle At A Glance!

K 4324 \$24.50

ALTRONICS

For address, phone number and despatch details see our advertisement on page 36

BANKCARD JETSERVICE DELIVERY NEXT DAY BANKCARD JETSERVICE

How to get in on the action.



M400 EO \$459

There's nothing like being in on the action as it happens. Fire, weather, rescue – all kinds of civil authorities are on the air constantly, reporting crises and emergencies the instant they happen. And they happen on frequencies most people can never hear.

The best way to tune in on the action is with a Regency Scanner, from the deluxe programmable 30 channel M400EO and the 10 channel M100EO models to the hand-held 6 channel H604E Pocket Scanner.

The M400EO Scanner allows you to select and programme 30 channels from around 15,000 frequencies, and then to scan them automatically, or manually select a channel. The priority function allows you recall to your favourite frequency. And you can use scan delay which allows you to hold a frequency before scanning resumes.

The entire range of around 15,000 frequencies is always available, however. The search and search-hold features allow you to search between selected band edges. And you can adjust the band spacing. These features themselves are programmable.

And as well, it comes with a Nickel Cadmium memory battery, and an Australian Approved supply unit for your safety. Plus a DC cord for mobile use.

The M100EO gives you almost all the features of the M400EO but is for those who only wish to programme 10 channels.

The pocket scanner gives you three bands Lo VHF, Hi VHF or UHF, advanced circuitry, step control and two antennas all in this tough compact package.



M100EO \$359

Regency Scanners – whichever model suits your needs – are the best value for money in Scanners. Compare us with the opposition, and hear for yourself.

And they're available from Vicom, the authorised distributors, and our authorised dealers.

That ensures you get the usual Vicom 12 month warranty and expertise.



H604E \$179
(excludes crystals)



Prices are subject to change without notice

Vicom International Pty. Ltd., 57 City Road, South Melbourne, Vic. (03) 62 6931. Emtronics, 649 George Street, Sydney, NSW (02) 211 0531.

Authorised Dealers N.S.W.: Wagga: Rivercom 21 2125. Wollongong: Macelec 29 1455. Gunnedah: Landlink Communications 42 2838.

Springwood: Springwood Hi-Fi 51 3091. Tamworth: Independent Communication 65 6962. Inverell: Stockman & Higgins (067) 22 1300.

Victoria: Melbourne: Eastern Communications 288 3107. Bendigo: Sumner Wholesale 43 1977. Port Fairy: Ansonic Electronics 6 8113. Ballarat: John Lewis Electrical 31 3322. Wecom 39 2808. Cheltenham: Power Band Communications 584 7631. Frankston: Worldwide Radio 789 3412. Moe: Codlin Communications 27 4516. Hamilton: Hamilton Electronics 72 3333.

Western Australia: Perth: Willis Trading 328 9229. Netronics 46 3232. Wormald Communications 277 8944. Kalgoorlie: Hocks TV 21 1906.

Tasmania: Launceston: Gelston 27 2256. Advanced Electronics 31 7075. Hobart: Harvey Skegg 23 6751. Burnie: VK Electronics 31 7733. South Launceston: Graeme Thomson Electronics 44 4773.

Northern Territory: Darwin: Darwin Communications 85 3184.

Queensland: Brisbane: CW Electronics 397 0808. Gold Coast: Amateur's Paradise 32 2644. Townsville: Robco Equipment 72 2633.

Gladstone: Jones Communications 72 1116. Cairns: R. E. Hunter & Associates Pty. Ltd. 51 5092. Enoggera: Elite Electronics 57 9400.

South Australia: Port Adelaide: International Communications 47 3688. Mt. Gambier: Set Services 25 2228. Whyalla: Gulf Communications 45 0208.

BURROWS DOBLE LAWRENCE VIC/ET1/412

SCANNING the world beyond shortwaves

Roger Harrison

A whole other 'world' of communications exists beyond 'the shortwaves'. There are thousands of communications channels in the very high and ultra high frequency bands (VHF and UHF). Aircraft, carphones, customs, taxis etc. What's it all about? Read on!

SHORTWAVE LISTENING has a history as long as the history of broadcasting, perhaps longer. In the 1930s, when 'the ultra highs' were first explored — that part of the spectrum beyond 30 MHz — radio amateurs did much experimenting, along with a few research and development teams. Short range communications began then, getting a great boost during World War II. The rapid development the war brought to VHF and UHF communications went beyond the cessation of hostilities and air-to-ground, mobile-to-mobile and base-to-mobile communications burgeoned.

Some radio hobbyists, using war surplus communications gear began 'listening around the ultra highs'. However, as most users of the radio spectrum above 30 MHz employed it for utilitarian purposes, and as the amount of on-air 'traffic' was very low, interest remained low. Nonetheless, commercially-made general coverage VHF-UHF receivers were available — hands up who remembers the Hallicrafters S27! During the late 1950s and the 1960s, the British Eddystone Co. produced several general coverage VHF-UHF receivers.

It seems that, in the 1960s, journalists discovered that ex-commercial VHF mobile transceivers could be bought cheaply and used to eavesdrop on 'useful' VHF channels occupied by the fire brigade, ambulances and police ... gaining a jump on their colleagues for hot news stories.

Sitting listening to a VHF transceiver, rotating the channel switch for hours on end is not really a journalist's idea of fun, so it wasn't long before they sought out people who could modify the receivers of the equipment to provide automatic channel selection in sequence — scanning was born. ▶



The J.I.L. model SX-200 is a popular scanner having many features. Covering a frequency range of 26-88, 108-180 and 380-514 MHz. It uses a keyboard providing a selection of over 33 000 channels. Up to 16 frequencies may be placed in a non-volatile memory. Scanning can be carried out over a specific frequency range by programming upper and lower frequency limits.

Unique squelch circuitry is employed, having three modes, allowing the receiver to (a) stop scanning with open audio on carrier only, (b) to stop on carrier with closed audio until modulation is applied to the carrier, or (c) not stop at all until carrier and modulation are detected.

A front panel-mounted fine-tuning control ensures that all Australian-allocated two-way radio frequencies are covered. AM or FM reception is possible on all bands. Direct operation from 240 Vac or 12 Vdc is provided for.

ETI staff have used this scanner and found it very sensitive, free from spurious and easy to use. It has the greatest frequency coverage of any scanners we have seen.

A kit to expand the memory channels to 32 is available as is one for auto-AM reception. Details from G.F.S. Electronic Imports, 15 McKeon Rd, Mitcham 3132. (03)873-3939.



The Salko SC7000 is another scanner with very wide coverage that runs from 60-89 MHz, 108-138, 140-179 and 380 to 519 MHz. You can store up to 70 channels in memory or search between preset limits within a band. You can manually select any frequency or any of the memory channels. Both AM and FM signals can be received.

Control is via a calculator-like keyboard. A 'priority' channel feature is included so that you can program a particularly interesting frequency into memory channel 1. Any time you hit the 'priority' key, the receiver selects that channel. An 'aux.' function allows you to turn on an attached cassette recorder.

A single squelch delay of two seconds holds the scanner on a channel for that time when a signal is received. Certain channels may be 'locked out' of a scanning sequence via a lockout control.

We found this scanner relatively easy to use after a little practise, and it appears quite sensitive. It has the greatest number of memory channels on any scanner we've seen.

The SC7000 can be operated from the mains or 12 Vdc.

Contact Imark, 167 Roden St, West Melbourne 3003. (03)329-5433.

purposes of allocating usage, into various segments or bands. For example, 66-88 MHz is 'business radio', 118-136 MHz is the 'aircraft band', 144-148 MHz is the 'two metre' amateur band, 480-490 MHz is 'electronic news gathering' (you can eavesdrop on the journalists now!), 476-477 MHz is the UHF CB band.

Large chunks of the spectrum are taken up for TV broadcasting and there's the 88-108 MHz broadcast band. Considerable portions are also occupied by the military. Some small segments are set aside for satellites, also; like some weather satellites around 136-140 MHz and the Space Shuttle around 240-250 MHz.

The bands are allocated channel spaces at fixed intervals. The interval between channels is called the channel *spacing*. This varies among different bands, depending on their allocated use, the number of users and the limits of available technology. Channels in the VHF band may be spaced at 12.5 kHz intervals, 25 kHz or 50 kHz, for example. On UHF they may be spaced at 25 kHz, 50 kHz or greater intervals.

As the VHF band is 270 MHz wide, if you wanted to search every 12.5 kHz channel for activity, you'd have to look at some 21 600 channels! Then there's the UHF spectrum. Considering 25 kHz channels, there's over 100 000 in 2700 MHz! However, much of the space is empty. Most of the 'action' is between 400 MHz and 550 MHz.

Clearly, some enterprising electronic equipment manufacturers got onto this and produced some equipment specifically for the purpose. Advertisements for scanning receivers seem to have first appeared in the US electronics press in the late 1960s.

Meanwhile, some dedicated VHF-UHF listeners were chasing long distance (DX) signals propagated way beyond the normal range by some abnormal means. Occasionally the lower atmosphere 'ducts' VHF and UHF signals beyond the horizon some hundreds to thousands of miles. The ionosphere — the electrified layers lying from 100 km to 800 km or so above the earth — will also 'bounce' VHF signals beyond the horizon on occasion. Some special modes conduct the signals almost half way round the earth.

'Sporadic E' (lying at 100 km) propagation will bounce signals distances of 500 km to 2000 km (see ETI, May 1978, p.82), while 'transequatorial propagation' (literally, across the equator) carries signals distances of 3000 km to 14 000 km (see ETI, July 1978, p.112).

Exploiting these modes, you can listen to taxis in Tijuana, aircraft in Auckland and communications links in Korea! Amateurs exploit these modes for some excitement on the 50 MHz, 144 MHz and 432 MHz bands.

When the CB boom came along in the early 1970s, many CBers expanded their interest in communications, some discovering VHF-

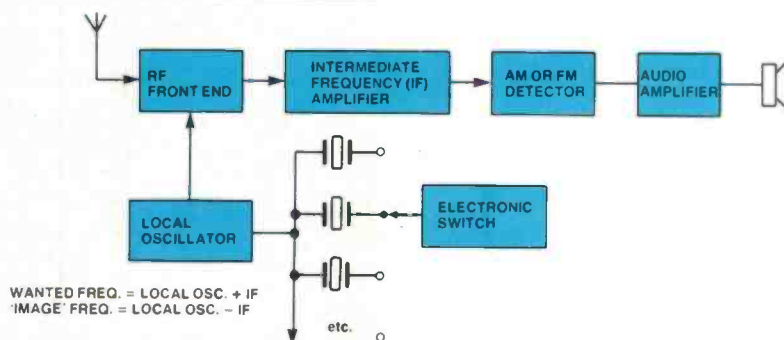


Figure 1. Block diagram of a simple scanner — a straightforward superheterodyne receiver. A suitable IF frequency has to be used so that front end selectivity will reject the 'image' frequency, avoiding possible interference from signals on that frequency. Channels were selected by switching between crystals.

UHF listening and scanners. At the same time there was a general increase in interest in communications and many shortwave listeners, having purchased HF receivers and explored that, sought further afield and discovered scanners.

Interest in the VHF and UHF bands began to rise markedly in Australia in the late 1970s and is currently enjoying something of a boom. Quite a variety of equipment is available and much of it is keenly priced.

The VHF-UHF spectrum

By convention, the VHF spectrum commences at 30 MHz and runs to 300 MHz. Likewise, the UHF spectrum commences at 300 MHz and runs to 3000 MHz. Each is divided, for

Modern equipment

Compared to the receivers of a decade ago, modern scanners have moved from the horse-and-buggy era into the space age!

The first scanners were simple 'superhet' receivers covering maybe a dozen channels over a small sector (several MHz at best) of the VHF spectrum. Figure 1 shows the general arrangement. Mostly, the transmission mode was frequency modulation (FM), so the receivers had FM detectors. Some scanning receivers were put out in the mid-1970s covering just the aircraft band, which employs AM transmission. Figure 1 shows the general block diagram of these early receivers.

The local oscillator was switched between

several crystals, using a simple electronic switch and an oscillator to drive the switch so that the receiver scanned the channels. It's cheap, but effective if you only wish to cover limited channels. Modern pocket scanners are like this but are capable of covering a number of bands of interest in the VHF and UHF range.

A modern programmable scanner is a much more complex beast. Figure 2 shows a typical block diagram. The unit will have several 'front ends' and, instead of a switched oscillator, will employ a digitally controlled phase-locked loop (PLL) frequency synthesiser. Many employ a microprocessor to manage the channel selection logic and scanning sequences. Programming is via a calculator-like keyboard.

Two detectors may be incorporated, one for AM transmissions, one for FM. A 'squench' circuit quietsens the audio output when no signal is received on a channel. A signal detector circuit detects the presence of a carrier and will open the squench and stop the scanning so that you can listen to what's on the channel. Many scanners have a timer so that the scan is only stopped on a channel for a certain short period while a signal is being received before continuing. If you want to listen further, you have to stop the scan there manually.

Most scanners available actually incorporate two IF amplifiers, not one as shown in Figure 2, the first being at quite a high



The Regency 'Touch M400' scanner is a very compact, slick looking unit with a 'touch sensor' keyboard, 30 channel memory (inc. battery backup) and coverage of 66-90 MHz, 144-174 MHz and 440-512 MHz in six bands.

On VHF it steps in 5 kHz increments, 12.5 kHz on UHF giving you around 16 500 channels. Reception is FM only. Normal scan delay is 0.6 seconds, though a two second optional delay is available. The unit may be operated from the mains or 12 Vdc. A 'priority channel' feature is included.

Regency scanners have a reputation for quality, reliability and top performance. Contact Vicom, 57 City Rd, South Melbourne 3205. (03)62-6931. Branches in most Australian States and N.Z.

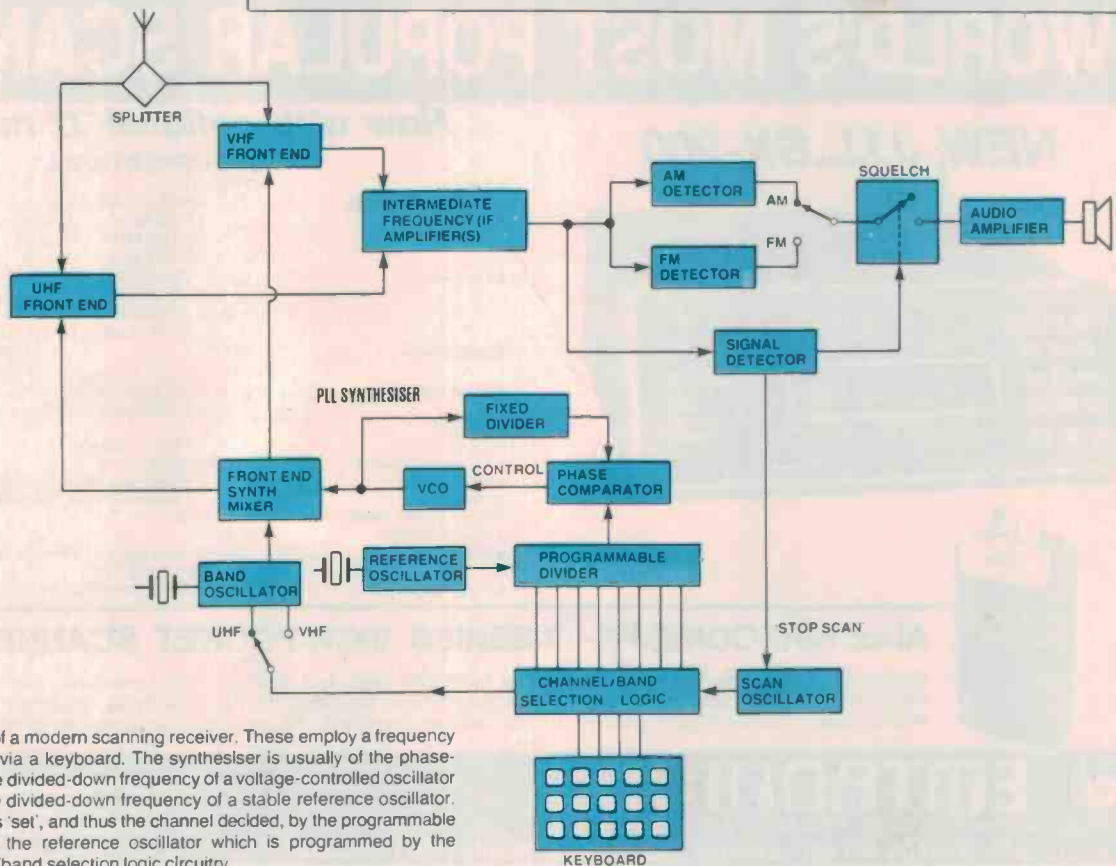


Figure 2. Block diagram of a modern scanning receiver. These employ a frequency synthesiser programmed via a keyboard. The synthesiser is usually of the phase-locked loop type where the divided-down frequency of a voltage-controlled oscillator (VCO) is compared to the divided-down frequency of a stable reference oscillator. The reference frequency is 'set', and thus the channel decided, by the programmable divider on the output of the reference oscillator which is programmed by the keyboard via the channel/band selection logic circuitry.

EVERYTHING YOU'VE EVER
WANTED IN AN AUDIBLE ALARM!

AudioLarm

MULTI-FORM MULTI-MODE MULTI-TERM MULTI-VOLT

WHAT FORM!

8 models with mounting styles and body depths to suit your application. They're small, rugged, durable and tamper-proof. No moving parts and economy priced... Even work under water.

WHAT SOUND!

Take your pick... Tweeter, Siren, Warble, Beep or Continuous Tone. High sound output... low current consumption. Up to 90db output. More alarming and fail-safe too!

TERMINALS GALORE!

P.C. pin, quick connect, direct solder, colour coded wire lead and more. Easy to fit... even quicker to connect. Labour saving simplicity.

O.E.M. DESIGN ENGINEERS...

know AudioLarm for its versatility. Take the voltage ranges, 5-15 VDC through to 140-270 VAC. A choice of seven operating voltage ranges... AudioLarm has it all!



C & K Electronics (Aust.) Pty Limited

15 Cowper Street, Parramatta, NSW 2150

PO Box 229 Parramatta, NSW 2150

Telephone (02) 635 0799 Telex AA23404

Agents: Melb. 598 2333/Adel. 277 3288/Bris. 36 1277

Perth 458 7111/Hobart 34 2233/Launceston 31 6533

WORLD'S MOST POPULAR SCANNER!

NEW J.I.L.SX-200



Now with optional 32 memories!

SPECIFICATIONS

- Type: FM & AM
- Frequency Range:
 - a) 26-57.995 MHz Space 5 kHz
 - b) 58-88 MHz Space 12.5 kHz
 - c) 108-180 MHz Space 5 kHz
 - d) 380-514 MHz Space 12.5 kHz
- Sensitivity:
 - FM a) 26-180 MHz 0.4µV S/N 12 dB
 - b) 380-514 MHz 1.0µV S/N 12 dB
 - AM a) 26-180 MHz 1.0µV S/N 12 dB
 - b) 380-514 MHz 2.0µV S/N 12 dB
- Selectivity:
 - FM More than 60 dB at -25 kHz
 - AM More than 60 dB at -25 kHz
- Dimensions: 210 (W) x 75 (H) x 235 (D) mm
8 3/4 (W) x 3 1/4 (H) x 9 3/8 (D) in.
- Weight: 2.8 kg
- Clock Error: Within 10 sec./month
- Memory Channel: 16 Channels
- Scan Rate: Fast, 8 Channels/sec.; Slow, 4 Channels/sec.
- Seek Rate: Fast, 10 Channels/sec.; Slow, 5 Channels/sec.
- Scan Delay Time: 0 or 4 sec.
- Audio Output: 2 Watts
- Ant Impedance: 50-75 ohms Whip or External Antenna with LO/DX Control (20 dB ATT.)
- Freq. Stability: 26-180 MHz within 300 Hz, 380-514 MHz within 1 KHz

Also: NIRECOME FS-10 SERIES 10CH POCKET SCANNER

Crystal controlled the FS-10 is available in both VHF high and VHF low band versions. Using a unique dual transistor low noise cascade RF amplifier Nirecom have provided the FS-10 with an amazingly high sensitivity. Rechargeable batteries and charger are supplied as standard and a range of accessories is available.



EMTRONICS

Retail Division of EMONA ELECTRONICS P/L

649 George Street, Sydney, NSW 2000 Phone: (02) 211-0531

CORRESPONDENCE & MAIL ORDERS:

Box K21, Haymarket, NSW 2000

WRITE, PHONE OR CALL IN



SCANNING the world beyond shortwaves

Dick Smith's PRO-40 scanner is a hot selling item, according to their marketing blurb. A 12 Vdc operated unit intended for mobile use, this receiver covers 68-88 MHz, 136-174 and 360-512 MHz. You can store 40 frequencies in its channel memory, which has battery backup.

The keyboard is a 'touch sensor' type, like you see on microwave ovens. The squelch delay holds the receiver on channel for three seconds when a signal is received.

Reception is FM only and you can scan in preset steps of 5 kHz, 10, 12.5 and 25 kHz on VHF or 10 kHz, 12.5 and 25 kHz on UHF. The PRO-40 has a 'priority' channel which is checked every four seconds regardless of what other scanning routine the unit is carrying out.

The PRO-40 seems to perform well from our limited experience of using it, but the keyboard is not as 'nice' as the calculator-type as it's easy to make mistakes. Nonetheless, the PRO-40 is keenly priced and has many desirable features. See your local Dick Smith store.

Frequency readout is usually via a digital display, giving channel frequency directly in MHz down to 5 kHz. The display in many receivers also doubles as a clock.

Frequency bands covered vary from brand to brand and model to model, but generally, most scanners cover the 65 — 90 MHz band, 140 — 174 MHz and 400 — 512 MHz. Some cover wider ranges than those, some narrower, but that's roughly the spectrum segments covered.

Most scanners are made to operate from both 240 Vac and 12 Vdc. Some operate from 12 Vdc only and a plugpack or other dc supply is necessary for ac mains operation.

All come with some sort of antenna that simply plugs straight in to the antenna socket. While many signals are very strong, better results are gained by using an outside antenna mounted high and clear of buildings or other obstructions. The subject of antennas for scanners warrants a separate article! (Coming soon . . .)

Some models only have facilities to store 10 channels, others have 20, 40 or even 70 channel memories. Most models include provision for 'battery backup' for the channel memory so that the programmed-in channels are not lost if the receiver is switched off at any time. ▶

frequency so that signals are not received on the 'image' of the wanted signal, the second IF being at a lower frequency (generally 10.7 MHz) where it is easier to obtain gain and selectivity.

While scanners may be able to cover from

around 11 000 to 33 000 channels, users always have groups of 'favourite' frequencies. Hence, facilities are included to 'memorise' these favourite channels so that the scanner may be set to scan only those or a selected group of them.

JIL SX-200 A BETTER SCANNING MONITOR RECEIVER.

COVERS 26-88 MHz & 108-180 MHz & 380-514 MHz



Monitors over 33,000 frequencies from 26 to 88 MHz, 108 to 180 MHz and 380 to 514 MHz. Bands included within this range are HF and UHF CB, 27 and 155 MHz MARINE, Australian LOW BAND, AIRCRAFT band, VHF SATELLITE band, 10 Mx, 6 Mx, 2 Mx and 70CMx AMATEUR BANDS, VHF High BAND as well as UHF two-way band.

Mechanically rugged the SX-200 uses high quality double-side Epoxy-Glass printed circuit boards throughout. Some of its other outstanding features include 3 MODE SQUELCH circuitry which allows the lockout of spurious and carrier only signals, extremely low spurious count, AM and FM detection on all bands, FINE TUNING control for off channel stations, 240 VAC or 12 Volt DC operation, Accurate QUARTZ CLOCK, Squelch operated OUTPUT for switching a tape recorder etc, 16 Memory channels, MEMORY BACKUP, which lasts up to two years, high SENSITIVITY and SIGNAL-TO-NOISE ratio on all bands, CRYSTAL FILTER for excellent SELECTIVITY and easy servicability due to component layout as well as a 90 day warranty.

Its high quality and performance is testified by the fact that it is in use by a large number of State government and Federal bodies including most state and federal police departments. Contact GFS, the Australian Distributors, or our interstate outlets for full technical specifications. We also market a range of pocket scanning receivers and transceivers. Contact us for full details.

PRICE \$525 INC. S.T. + \$8 P&P; SERVICE MANUAL \$10 + \$1 P&P; SCAN-X BASE ANTENNA \$54 + \$8 P&P. EXP-32—32 CHANNEL MEMORY EXPANDER KIT \$49 + \$4 P&P. A4-AM AUTO AM KIT FOR AIRBAND \$30 + \$4 P&P.

INTERSTATE DEALERS:
WA: (09) 387 4966; NSW: (02) 211 0531; QLD: (07) 397 0808; SA: (08) 269 4744

GFS Electronic Imports

15 McKeon Road, Mitcham, 3132, Vic.
Telex 38053 GFS Phone: (03) 873 3939

SCANNING the world beyond shortwaves

Legalities

Using a scanner *may* be illegal. The Wireless Telegraphy Act of 1905 (as amended) says that you cannot "... erect, maintain or use..." equipment for transmitting or receiving messages without being duly authorised. With the exception of broadcast receivers (including TV), authorisation is the responsibility of the Department of Communications.

Radio amateurs, under the terms of their certificate of proficiency and licence, *may* have sufficient excuse to own and use a scanner, particularly as most cover at least one amateur band.

There is certainly opposition to scanners being available to 'the general public', particularly amongst police, security services and certain public service departments. And with good reason. They don't want what were once 'private' and 'secure' communications channels becoming the least bit 'public'.

It is probably less a matter of concern that you might own a scanner but of great concern as to what use you put it to. If you're chasing DX from Darwin and aren't interested in what's being said, OK. But, if you're eavesdropping on the activities of Customs in Cheltenham, with a view to pursuing something nefarious, it's not on.

There seems to be no current provision in the W.T. Act Regulations to permit licencing of scanners. The draft Radio Communications Bill 1983 has this to say:

Receiver not to be operated without receiver licence

36. (1) A person shall not, without reasonable excuse, operate a receiver except in accordance with a receiver licence.

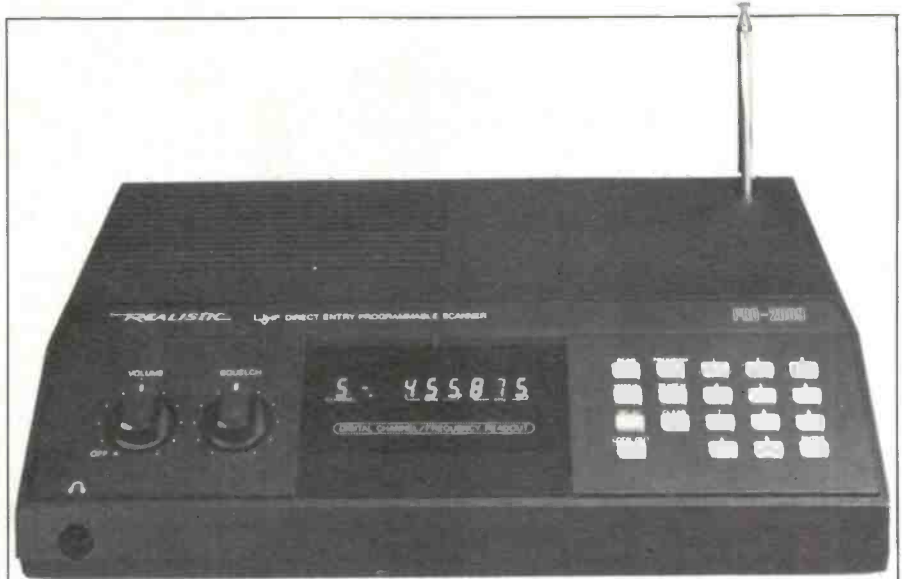
(2) Without limiting the generality of the expression "reasonable excuse" in sub-section (1), it is a reasonable excuse if a person operated a receiver in the honest belief that that operation was reasonably necessary for the purpose of—

- (a) securing the safety of a vessel or aircraft that was in danger;
- (b) dealing with an emergency involving a serious threat to the environment; or
- (c) dealing with an emergency involving risk of death of, or injury to, persons, or risk of loss of, or damage to, property.

Penalty: \$2,000.

Receiver licence

37. (1) Upon application in accordance with the appropriate approved form, the Minister may, in his discretion, grant to the applicant a licence in writing to operate specified receivers or receivers included in a specified class of receivers.



Tandy's Realistic model PRO-2009 is a low-priced scanner that features an eight-channel memory and covers 68-88 MHz, 144-174 MHz and 410-512 MHz in six bands.

Control is via the usual keyboard and the channel memory has battery backup. Frequency limits for scanning are entered via the keyboard and reception is FM only. The unit can be powered from the mains or 12 Vdc. See your local Tandy store for this and other Realistic scanning receivers.

The Department of Communications has sought comment on the draft Bill. So, if you have something to say, they'd like to hear it. Send comments to The Secretary, D.O.C., P.O. Box 34, Belconnen 2616. Closing date for comment was 22 April 1983, but as the Government has changed in the meantime, this may have changed. Copies of the Bill can be obtained from Australian Government Publishing Service bookshops.

Few prosecutions have occurred and the court decisions have set no clear precedents.

What's to be heard

Lots and lots of things! Taxis, tow trucks, fire brigades, ambulance services, hospitals, radio telephones, paging equipment, local councils, news services, radio and TV station communications services, real estate agencies,



Pocket scanner. Typical of the pocket scanners available is this 'Pocket Scan' receiver from Imark. It provides 10 crystal-controlled channels for FM reception in any of the three bands: 70-90 MHz, 146-174 MHz and 430-520 MHz. It is powered by four AAA dry cells or NiCads. See Imark, 167 Roden St, West Melbourne 3003. (03)329-5433.

engineering companies, surveyors, aircraft, radio amateurs, CBers, marine craft, satellites, transport companies, oil companies, mining companies, couriers, plumbers, servicemen, Government instrumentalities, beacons, bakeries, garbage disposals, hire cars, church groups, and on, and on . . . et al.

Clearly, there are just too many channels and services to list in the space available here, so here's just a short list of some interesting frequencies and the services that occupy them.

Sydney

76.700 MHz	FM	ambulance
78.065	FM	fire brigade
78.160	FM	bushfire brigade
115.400	AM	Sydney air info.
118.000	AM	Bankstown air
120.500	AM	Sydney tower
147.000	FM	Dural amateur rptr.
156.800	FM	maritime weather
167.770	FM	Dept. Main Roads
468.355	FM	TAA
469.725	FM	Maritime Serv. Bd.
480.900	FM	mobile telephone, info.
485.000	FM	rescue helicopter
488.600	FM	taxis

Melbourne

73.700 MHz	FM	Melb. City Council
76.250	FM	ambulance
77.240	FM	VicRail
82.200	FM	Radio 3UZ
118.100	AM	Moorabbin air
120.500	AM	Melbourne tower
129.500	AM	TAA
146.700	FM	Mt. Dand. amateur rptr
156.400	FM	harbour control
162.220	FM	State Elec. Comm.
163.120	FM	Country Fire Auth.
450.675	FM	Forestry Comm.
467.275	FM	Petrochemicals, Altona
468.525	FM	State Emergency Serv.

Brisbane

74.060 MHz	FM	fire brigade
79.875	FM	ambulance
147.000	FM	Brisbane amateur rptr
502.550	FM	mobile telephone

Adelaide

73.190 MHz	FM	ambulance
75.800	FM	Royal Auto Assoc.
147.000	FM	Adelaide amateur rptr
168.820	FM	fire brigade

Hobart

77.210 MHz	FM	fire brigade
76.940	FM	Forestry Comm.
77.330	FM	ambulance
146.700	FM	Hobart amateur rptr

Perth

77.090 MHz	FM	fire brigade
80.040	FM	ambulance
146.700	FM	Perth amateur rptr
168.520	FM	India-Pacific railway

FIRELERT

10 CHANNEL SCANNING CFA POCKET RECEIVER



- ★ Provision for Wire Antenna
- ★ Channel Pass Switches
- ★ Delay Switch
- ★ Speaker
- ★ VHF high and low band models
- ★ Rubber Duck Antenna
- ★ LED Channel Display/Battery Indicator
- ★ Manual/Auto Scan Switch
- ★ Manual Channel Selector
- ★ Adjustable Squelch
- ★ On/Off Volume Control
- ★ Earphone Jack
- ★ Charger Jack

INCLUDING:

- Rubber Duck Antenna
- Wire Antenna
- Vinyl Carry Case
- Ear Plug
- SEC Approved Charger

I M A R K

PTY. LTD.
167 Roden St., West Melb. 3003
Ph. (03) 329 5433

This will grab you — the Micro-Grasp robot arm

Having obtained a computer and learned how to 'drive' it, the next step for a thinking computerist is robotics. No matter if computing is just a hobby or if it's your workaday job, robotics is an important step forward. Here is a low cost, down to earth way of learning what robotics is about — build this robot arm.

Richard Becker

Powertran, Andover, Hants, U.K.

THE MICRO-GRASP was designed as a low cost 'introduction to robotics' machine, priced as low as possible yet including everything to have it running immediately assembly is completed — i.e: inclusive of power supply and interface — no 'hidden extras'. Despite this major restriction, the Micro-Grasp has some powerful features.

It can be driven from any computer, even the humble ZX81, that has an expansion connector giving access to the data and address buss lines, plus the memory write and memory request lines.

The Micro-Grasp is an articulated arm jointed at shoulder, elbow and wrist positions. The entire arm rotates about the base and there is a motor-driven gripper. Each of the arm movements is servo controlled i.e: there are position sensors feeding back information to the interface board where the current position of an axis is compared with the programmed-in intended position and the servo circuit automatically takes corrective action.

This servo action is independent of the computer, greatly simplifying the software to drive the robot. All programming is carried out with a small number of BASIC commands.

Mechanical design

Each of the four axes plus the gripper is driven by a small dc motor with integral gearbox. For the wrist and gripper motors, small in-line gearboxes are used. The three remaining axes use more powerful gearboxes housed in heavy duty zinc alloy castings. The shoulder and elbow joints are driven directly from their motor's gearboxes with both axes mounted on the 'upper' arm section. On the 'forearm' and shoulder support bracket are

steel bushes clamping the gearbox shaft so that when the motors are driven, there is relative movement between the upper arm and forearm and the support bracket. The gripper is driven by a leadscrew which either pulls the jaws shut or pushes them open.

Position sensing potentiometers for the

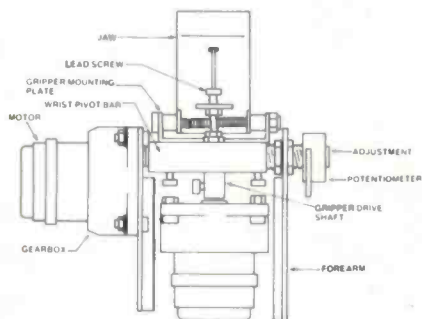
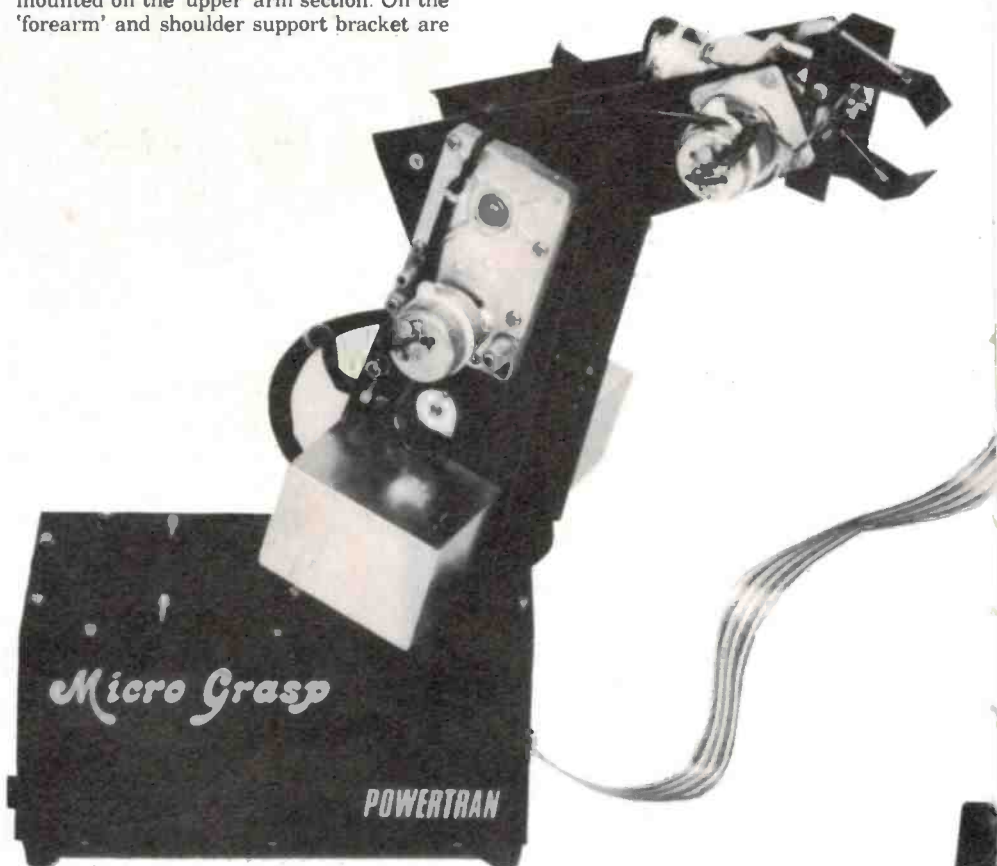


Figure 1. View of the wrist and gripper, showing the various components.



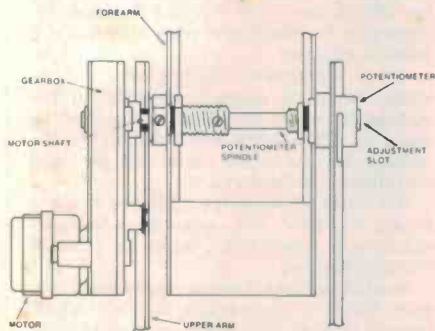


Figure 2. View of the elbow, showing how the motor drives the forearm assembly, plus the coupling to the position pot.

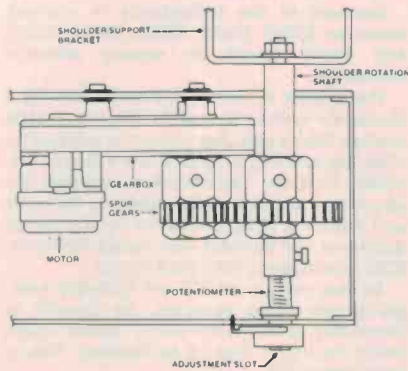


Figure 3. Simplified view of the rotation drive assembly. Note that the gearbox drive shaft comes out on the same side as the motor, unlike the shoulder and elbow drives.

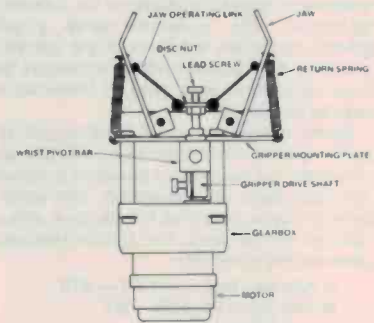


Figure 4. Side view of the gripper, showing how the lead screw, driven by the motor, operates the gripper jaws.

shoulder and elbow axes are also mounted on the upper arm. The joints rotate about plastic bearings mounted on the bushes of these pots. The shaft of each pot is held in a steel bush fitted to the forearm or support bracket.

The rotation axis has a more complex arrangement as it was not possible to arrange the gearbox shaft, the potentiometer and shoulder support bracket all in line. Drive is taken from the gearbox via a pair of spur gears. These have a 2:1 reduction ratio, resulting in a doubling of torque for the rotation axis. For this axis, the gearbox shaft is taken out from the motor side of the gearbox, rather than opposite as is the case with the shoulder and elbow gearboxes.

This arrangement is not perfect and some backlash is evident in the gears, but some compromise has to be accepted in order to keep costs down.

For raising and lowering the wrist, the gearbox shaft rotates a bar to which the position pot and gripper assembly mounting plate are fitted. The drive shaft for the gripper leadscrew passes through this bar. When the leadscrew turns clockwise, the disc nut is moved toward the motor, pulling the jaws closed. When the leadscrew turns anti-clockwise, the disc nut moves away from the motor and the jaws are pulled apart.

The forearm and upper arm each have counterbalance weights fitted so that no voltage needs to be applied to the motors to hold the arm in a desired position, improving accuracy of the servo action. Without this balancing, an error signal would always be required for the arm to be motionless and a considerable torque would also have to be provided by the gearboxes, unduly straining them.

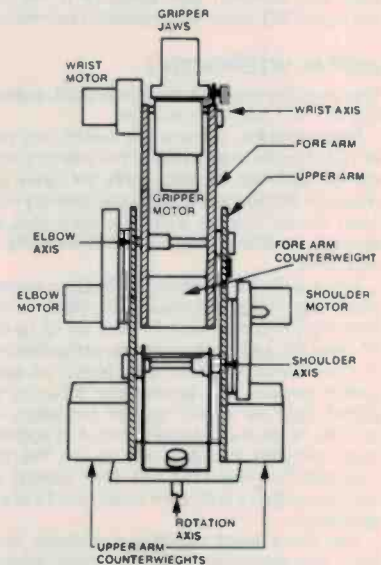


Figure 5. Overall view of the arm (simplified) showing each axis, the motors and counterweights. Note the 'sandwich' arrangement of the forearm and upper arm sidepieces and shoulder bracket.

FEATURES ETI-648 MICROGRASP

- Employs 'revolute coordinate' system with four degrees of freedom (four axes of movement)
 1. rotation about base
 2. shoulder bend
 3. elbow bend
 4. wrist bend
- Gripper mechanism on wrist.
- Each movement axis servo controlled (independent of programming).
- 'Universal' interface board permits interfacing the arm to virtually any computer.
- Interface acts as a memory-mapped peripheral, simplifying software for commanding the arm.
- Interface board is isolated from the mains.
- Straightforward mechanical assembly, requires no special tools or mechanical skills to set it up.

The interface board contains both servo control and motor drive circuitry for the arm's motors, plus interface logic so that this can be 'commanded' from a computer. The whole interface board is designed to operate as a memory-mapped peripheral of the controlling computer. The on-board servo circuitry greatly simplifies the work of the computer, avoiding the requirement for extensive software specific to each type of computer that may be employed.

Some computers have input/output (I/O) ports by which data could be sent to the robot. However, the majority of personal computers available have an 'expansion' connector or buss giving access to all the address, data and internal control lines. The signals required to operate this robot are:

- Address bus lines A0 — A15
- Data bus lines D0 — D7
- Read/Write line
- Memory Request line

Although the interface connector choice could have been arbitrary, a keyed 23-way double-sided edge connector was chosen as they are common and because it fits the low-cost ZX81 computer expansion connector.

DIGITAL INTERFACING

This circuitry involves the 10-bank DIL switch, IC2, IC3, IC4, ICs 5A-D and IC9.

By setting the 10-bank DIL switch, any one of 1024 blocks of 64 bytes of the memory area can be selected. Actually, only six bytes are required, but to narrow down the memory area used would call for extra circuitry and, as memory is cheap, such extra complexity is pointless.

IC2 is a ten-bit comparator. Data on the ten most significant address lines (A6 — A15 inclusive) is compared with data set up by the 10-bank DIL switch. A closed switch puts a low (0 V) on the appropriate input of IC2, an open switch permits the appropriate input to be pulled high via a 4k7 resistor (resistors R1 to R10). When the data on the A6-A15 address lines matches the data set up on the DIL switches (i.e. when the computer selects an address within the 64 byte block) pin 13 of IC2 goes high.

The three least significant address lines from the computer drive the three primary inputs of IC3, a three-into-eight line decoder (sometimes also called a 1-of-8 decoder as only one out of the eight outputs is active at any one time). An output of the decoder can only be enabled (or activated) when the RW (write) and MREQ (memory request) lines are low and pin 6 is high. Now pin 6 is driven by the output of IC2 (pin 13). Thus, when a match occurs between the DIL switch data and the 10 most significant address lines, and RW and MREQ are low, an output of IC4 will be activated, which one depending on the data on the three least significant address lines.

The first four outputs (pins 15, 14, 13, 12 in that order) drive the four axis servo circuits A, B, C, D. If A0, A1 and A2 are all low, servo circuit A will be selected (rotation motor). If A0 is high and A1 and A2 low, servo circuit B will be selected (shoulder motor), and so on.

Thus, the computer addresses a chosen axis as if it were a memory location into which data is to be written. For example, if the top of the computer's address space is to be used, all the switches in the DIL switch bank would be set open, allocating addresses 65472-65535 to the robot. To move the rotation axis, (servo circuit A, remember) to the centre position the command would be POKE 65472,128 (128

being the centre of the range of positions, defined as 0 to 255. Each axis has 256 separate positions within its range of movement as you only have an 8-bit data buss).

Because of the redundancy in address selection 65480, 65488, 65504, 65512, 65520 and 65528 would be equally effective addresses.

The gripper is driven by a motor turning a leadscrew which either pulls the jaws shut or pushes them open. Jaw closure is initiated by IC9a, jaw opening by IC9b. IC9 is a dual monostable flip-flop. Each flip-flop operates for about two seconds, determined by R25/C14 and R28/C15. IC9a is enabled by the pin 10 output of the decoder, IC3, being activated. IC9b is activated by the pin 9 output.

As the outputs of IC3 are normally high, going low when activated, an inverter is necessary to drive the servo circuit inputs which require a high to be enabled. This is provided by IC4.

ANALOGUE CIRCUITRY

Servo circuits A to D are all identical, hence only servo circuit A is shown. Using the example given under 'Digital Interfacing', when the command POKE 65472,128 is received, pin 15 of the decoder (IC3) will go low and pin 2 of IC4a will go high, driving pin 11 of IC5A high. Now, IC5A is a 74LS373 8-bit latch. The data on the computer's data buss (128) appears on its inputs (pins 3, 4, 7, 8, 13, 14, 17, 18). When pin 11 ('latch enable') goes high, the data on the data buss lines is transferred to the outputs (pins 2, 5, 6, 9, 12, 15, 16, 19) which 'latch', holding the data there until the next time pin 11 is toggled high when another data value can be provided.

The outputs of IC5A drive the inputs of a digital-to-analogue (D-to-A) converter, IC6A (a DAC0808). The data written to IC5A is converted to a current output, from pin 4, the value of which is directly proportional to the value of the data. If 128 is the data value, the DAC0808 output will be halfway between 0 and its maximum value.

Pin 4 of IC6A drives the inverting input of IC7Aa, half of a 1458 dual op-amp. This converts the D-to-A converter's output into a voltage with a transfer ratio of 1 V/mA. The output of IC7Aa (pin 1) provides the 'desired position voltage' (DPV) to the motor drive circuitry.

A dual power amplifier, IC8A, arranged in a bridge configuration, drives the rotation motor. The position of the rotation axis shaft is sensed by a pot., RV101A, coupled to the shaft. A reference voltage of about 2 V is supplied to the pot. from 'Vp', derived from a voltage divider off the regulated +5 V rail (R11 and R12). When the rotation axis shaft is at its 'zero' position, the pot. wiper is near the 0 V end of the track. At the shaft mid-way position, about 1 V appears on the pot. wiper.

This 'measured position voltage' (MPV) is applied to one input of the motor drive bridge amp, IC8A, via a buffer, IC7Ab. RV2A permits varying the range of movement by restricting the range of the MPV variation.

IC8A compares the programmed-in desired position voltage (DPV) with the measured position voltage (MPV) and drives the motor backwards or forwards by applying a voltage that depends on how far away from the desired position the axis happens to be.

The DPV is applied directly to pin 8 of IC8A. Feedback via R22A makes the non-inverting input of this amp (pin 7) a virtual earth point elevated above 0 V by the voltage on pin 8 (the non-inverting input). The MPV forces a current

into pin 7 via R21, resulting in a voltage at pin 10 which is equal to

$$R22A(DPV - MPV)/R21A$$

Similarly, the MPV drives the non-inverting input (pin 4) of the 'opposite' power amp and the DPV forces a current into the inverting input (pin 5), resulting in an output at pin 2 which is equal to

$$R20A(MPV - DPV)/R19A,$$

which is in the opposite direction to the voltage out of pin 10. These voltages will be equal as $R20A=R22A$ and $R19A=R21A$. The voltage applied to the motor will be twice $R22A(DPV - MPV)/R21A$.

The motor will move the shaft until the MPV equals the DPV. The components selected result in a servo action which is close to critically damped.

An offset voltage is applied to pin 3 of IC7Aa, from RV1A, to compensate for the residual voltage from RV101A when the axis is at its zero position.

The RC networks on the outputs of IC8A a and b are the 'Zobel' networks almost universally used to stop power amplifiers from oscillating in the MHz region.

Capacitors C12A and C13A are for local decoupling and C105A, C106A are suppression capacitors fitted as close as possible to the motor. Without these the interference from the motor brushes is sufficient to make the computer abort its program.

Only four of the five axes are servo controlled as the gripper needs only to be either holding or releasing.

As explained under 'Digital Interfacing', the gripper motor is activated by triggering IC9a to close the jaws, IC9b to open them.

As with the axis drive circuits, a 2877 dual power amp (IC10) is used in a bridge configuration to drive the gripper motor. When IC9a is triggered, its Q output (pin 13) goes high for about two seconds. About 0.5 V appears across R27, owing to the voltage division provided by R26-R27. This will cause the output of IC10b (pin 10) to swing toward the +9 V rail and the output of IC10a to swing toward the -9 V rail. The motor will then drive the gripper jaws shut.

When an object is seized, the motor will stall but the amplifier is fully protected and, as the stall period is less than two seconds, no motor overheating occurs.

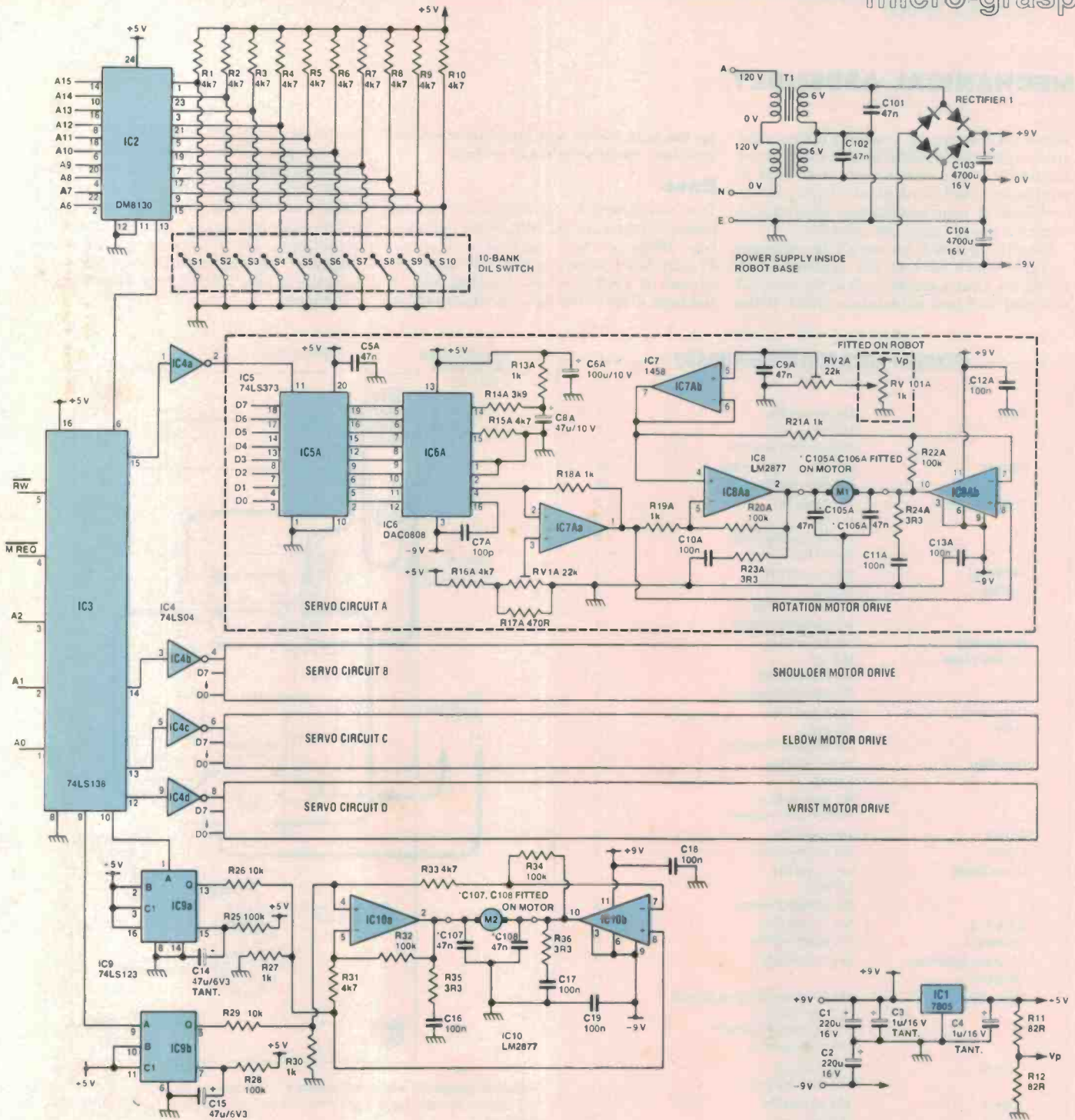
On triggering IC9b, the motor is driven in the opposite direction until it stalls with the jaws in the fully open position.

Gripper operating commands could be POKE 65477,0 to hold and POKE 65478,0 to release, though this data as indicated by 0 is quite irrelevant and anything between 0 and 255 could be written.

If the address allocated to axis 0 (servo circuit A) is A then axis 1 is A + 1, axis 2 is A + 2, axis 3 is A + 3, grip is A + 5 and release is A + 6.

The rotation shoulder and elbow motors take up to about 1 A each and the other two motors up to about 0.5 A each.

The reference voltage for the DAC and the position sensing potentiometers comes from IC1 (a 7805) which provides excellent stability. The amplifiers' requirements however are non-critical and an unregulated supply is entirely adequate. The power supply circuit provides \pm approximately 9 V. The supply is sited in the robot base where, as well as providing useful ballast at the rear of the base the mains connections are fully enclosed. The interface board is therefore free of mains and is safely operated whilst unenclosed and closely connected to the computer.



Electronic design

Despite the size of the interface board, the electronics is relatively simple. Four identical servo circuits are employed to drive the four axes motors. The gripper motor is driven from a slightly different circuit. Servo circuit A controls the rotation axis, servo circuit B controls the shoulder axis, C controls the elbow axis and D controls the wrist axis.

A 10-bank DIL switch sets the base address of the arm. The ten most significant bits of the computer's address lines (A6 — A15) are compared to the address set on the DIL switch. When these match, a three-

eight line decoder is enabled, providing the memory write and memory request lines are low at the same time (they are active low).

The three least significant bits of the computer's address buss (A0, A1 and A2) are then used to select which axis is to be moved. Data is written to the appropriate address and the value on the data buss is then converted to an analogue voltage to drive the selected axis' motor. The servo circuitry then sets the position of that axis. As the address buss is eight bits wide, each axis can be positioned at any of 256 locations.

For example, as the wrist can move through an angle of 180° it can theoretically be

positioned anywhere in its semi-circle of movement to an accuracy of 180/256, or about 0.7°. Mechanical tolerances will decrease this.

The elbow and shoulder axes have greater range of movement and could theoretically be positioned to an accuracy of about 1°, but again, mechanical tolerances will decrease this.

The gripper only has two positions — open and shut! The electronics is only toggled one way or the other to set the jaws as required.

Complete details of the circuit operation are given in the 'How It Works' panel accompanying the circuit diagram. ▶

MECHANICAL ASSEMBLY

While the mechanical assembly of this robot arm is relatively straightforward, constructors should be aware that a certain amount of mechanical skill is required. If you are not confident of your mechanical abilities, get someone else to tackle the assembly.

First thing to do is lay out all the parts and identify which part of the assembly they belong to. Take a careful look at the pieces of stamped and bent aluminium which make

up the arm pieces and familiarise yourself with how the other parts fit to them.

Base

The base assembly consists of six stamped pieces of metal which fit together to make a box. These are held together with special Philips head screws which roll their own thread. A good assembly starting point is the base plate of the base on which is fitted

the power supply and the rotation axis position sensing pot. (RV101A). The accompanying assembly diagram (Figure 6) shows the general construction. Bolt on the potentiometer and bridge rectifier first. Make sure you identify the rectifier terminals correctly and orient it accordingly (see the bridge rectifier pinout diagram). You can mark the base plate with something like 'Whiteout' or 'Liquid Paper' to help you.

FIXING PARTS FOR MICRO-GRASP

Feet	M4 16 mm PH	4
	M4 nut	4
	M4 serrated washer	4
Panels	M3 10 mm PH Tapltite	24
	M3 plain washers	24
Transformer	M4 8 mm PH	2
	M4 nut	2
	M4 serrated washer	4
	solder tag	1
Terminal blocks	M3 16 mm PH	4
	M3 nut	4
	M3 plain washer	4
	M3 serrated washer	4
Solder tag on end plate	M3 8 mm PH	1
	M3 nut	1
	M3 plain washer	1
	M3 serrated washer	1
Capacitor clips	M4 6 mm PH	2
	M4 nut	2
	M4 serrated washers	2
Rectifier	M3 16 mm PH	1
	M3 nut	1
	M3 plain washer	1
	M3 serrated washer	1
Axis 0 motor	M4 6 mm PH	4
	M4 plain washer	4
Drive Shaft	M3 6 mm PH	1
	M6 nut	1
Axis 1, 2 motors	M6 serrated washer	2
	M4 10 mm CSK	8
	M5 plain washer	8
Counter balance weights	M4 10 mm CSK	8
Motor Bushes	M4 6 mm socket grub screws	4
	1/2" UNF half nut	2
	M12 serrated washers	4
Tie rod	M8 nylon washer	2
	M5 nylok nut	2
	M5 plain washer	2
Axis 3 motor	M3 12 mm PH	4
	M3 nut	4
	M3 plain washer	4
	M3 serrated washer	4
Square shaft of wrist	M3 6 mm PH	4
	M3 serrated washer	5
	M3 nylon washer	2
Axis 4 motor	M3 25 mm tapped spacer	4
	M3 8 mm PH	8
	M3 serrated washer	4
	M3 plain washer	4
Gripper Drive shaft	M3 6 mm PH	1
	M3 16 mm PH nylon	1
	M3 nut	1
	M3 nylon washer	1
Gripper plates	M4 50 mm PH	2
	M4 nylok nut	2
	M4 6 mm spacer	4

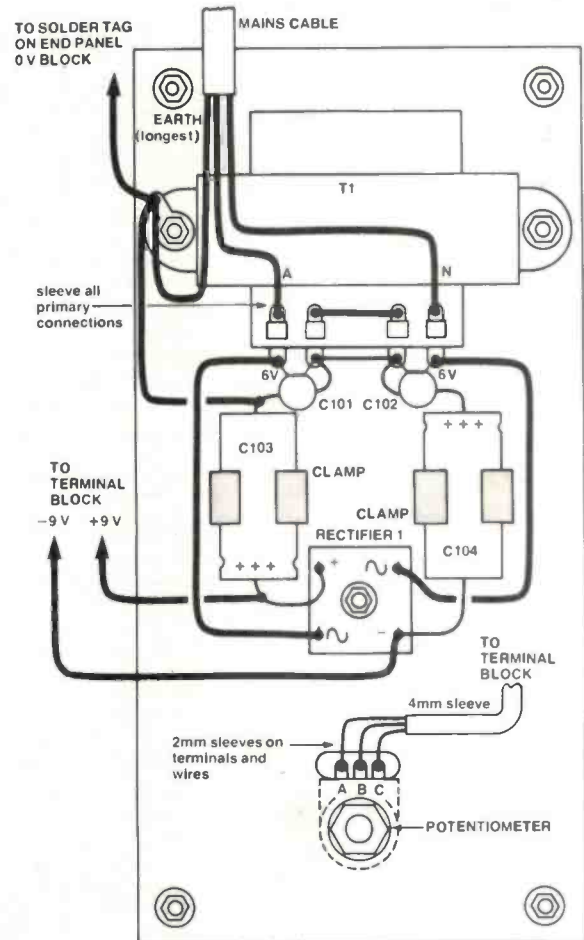
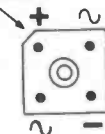


Figure 6. Assembly and wiring diagram of the power supply. Make sure the solder lug under the left hand transformer mounting bolt is securely earthed to the base plate.

CHAMFER



Top view of the bridge rectifier showing pin connections.

PARTS LIST — ETI-648 ARM ASSEMBLY

Resistors

RV101A-D 1k linear pots

Capacitors

C101, 102, 105A-D, 106A-D, 107, 108 ... 47n ceramic (12 off)
C103, 104 4700u/16 V axial electros (2 off)

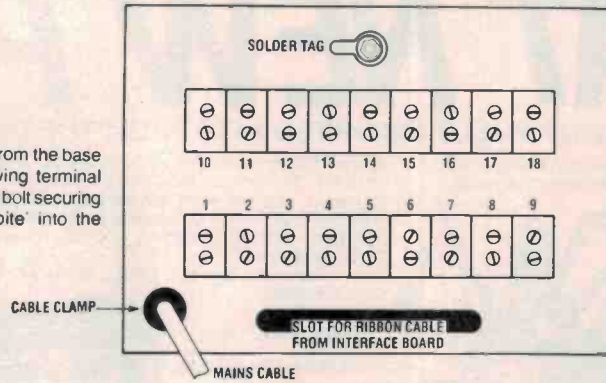
Semiconductors

RECT.1 6 A bridge rectifier

Miscellaneous

T1 2 x 120 V pri./2 x 6 V sec.
Motors, mechanical parts, fixings, etc.

Figure 7. End plate assembly from the base (viewed from the inside) showing terminal block numbering. Make sure the bolt securing the solder tag gets a good 'bite' into the metal.



TERMINAL BLOCK	DESTINATION	WIRE COLOUR	PC BOARD CONNECTION POINT
1	rotation motor-red	grey	1
2	rotation motor-black	orange	2
3	shoulder motor-black	blue (left)	3
4	shoulder motor-red	black (left)	4
5	elbow motor-black	orange (right)	5
6	elbow motor-red	grey (right)	6
7	wrist motor-black	brown (right)	7
8	wrist motor-red	green (right)	8
9	gripper motor-black	black (right)	9
10	gripper motor-red	blue (right)	10
11	+ve, power supply	red	11, 12
12	-ve, power supply	blue	13, 14
tag	solder tag, base plate	black	15
13	RV101D, tag B	white (left)	16
14	RV101C, tag B	yellow (left)	17
15	RV101B, tag B	violet (right)	18
16	RV101A, tag B	green/yellow	19
17	0 V (anlg), RV101A, tag C	pink	20
	0 V (anlg), RV101B, tag A	pink (right)	
	0 V (anlg), RV101C, tag A	pink (left)	
	0 V (anlg), RV101D, tag A	pink (left)	
18	Vp RV101A, tag A	red	21
	Vp RV101B, tag C	red (right)	
	RV101C, tag C	red (left)	
	Vp RV101D, tag C	red (left)	

TABLE 1

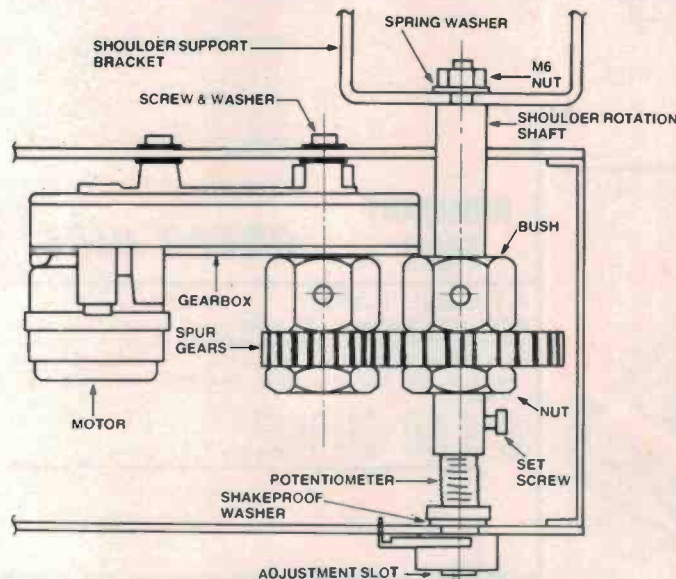


Figure 8. Rotation drive assembly. Install suppression capacitors C105A, C106A, as described later under the heading 'Wiring Looms', before mounting the motor.

NOTES FOR CONSTRUCTORS

To put this project together you'll need a heavy duty soldering iron, apart from an ordinary iron for electronic work, a medium-sized Philips head screwdriver, a small shifting spanner or set of small spanners, and perhaps a small hole reamer or fine rat-tail file — apart from your usual tools.

Bolt the transformer on next and then solder the two electrolytic capacitors in place, making sure you get them the right way round. Then solder C101 and C102 in place directly on the terminals of the 6 V secondaries. Bridge the two inner terminals of the 6 V secondaries. Also bridge the inner two terminals of the 120 V sections of the primaries.

Then wire the bridge rectifier to the transformer secondary and the earth tag to the connection bridging the two inner terminals of the secondaries (i.e. the centre tap).

Now assemble the end plate of the base (Figure 7). Bolt on the two terminal blocks and the solder tag. Attach the mains cord with a clamp grommet but make sure you leave about 15-200 mm of lead length so that it can be wired in easily.

Mark terminals 1, 9, 10 and 18 on the end plate using Whiteout or Liquid Paper so that you can readily identify the terminals. Then wire RV101A and the rectifier to the appropriate terminals, as per Table 1.

Now you can wire up the mains lead. Make sure the earth wire is the longest so that it's the last to break in the event of an accident. Don't attach a plug to the end of the mains cord yet, for safety's sake.

The power supply and rotation potentiometer can now be wired to the terminal block. Make up two looms as shown in the 'wiring looms' diagram, then wire them in place as per table 1 and Figure 6. When making up the looms, use a ruler to get exact wire lengths as only just enough wire is supplied.

Tackle the rotation drive assembly next. First take one of the motor-and-gearbox assemblies. What you have to do is turn the shaft over so that it comes out on the same side as the motor.

The gearbox has a cover plate held on by four Philips head screws and an aluminium rivet (located adjacent to the motor, at one end). The turnover on the rivet can be gently prised up using side cutters and the rivet slipped out. Then undo the four screws. Carefully take off the cover plate and examine the drive shaft and associated gears. By examining it, you will see how to slip out the drive shaft and turn it over so that it faces the opposite direction — it's easier to do than describe!

With the drive shaft now correctly oriented and the gears meshed, put the cover plate back on and slip the rivet back in place, turning over the end to secure it.

Take a look at the rotation drive assembly drawing (Figure 8). Attach the small spur gear to the gearbox shaft with the bush and nut, as shown. Fit the motor loosely to the top plate of the base assembly. Screw the side panels to the base (use washers under all screw heads) and then screw the top plate in place.

Assemble the shoulder rotation shaft, large spur gear, bush and nut to the potentiometer shaft, align the gears and secure in place. Position the motor so that the spur gears are firmly meshed without binding and tighten the motor mounting screws. At this stage, you can apply 9-12 V to the motor to see that the rotation shaft turns without the spur gears binding. If not, readjust the motor mount so that it does.

GREAT NEW PROD

GREAT NEW RANGE OF FULLY IMPORTED KITS FROM THE UK

Each kit is complete down to the last nut & bolt. All fittings included! SX-2000. UK's largest selling electronic Ignition! "Reactive Discharge" system - NOT CDI - with great reliability. Cat. KJ-6650

● FIT ALL 12V NEGATIVE EARTH VEHICLES (UTILISING COIL & CONTACT BREAKER IGNITION)

Sparkrite SX2000

A Reactive Discharge System combines all features of the SX500 plus.

- Reactive Discharge electronics combining all the advantages of both Inductive and Capacitive Discharge for maximum spark performance.
- Gives the most thorough combustion of air/fuel ratios especially current lean mixture emission controlled engines.
- Voted "Accessory of the Year" and the best as tested by Popular Motoring Magazine.
- Patented clip-to-coil fitting.
- Systems Function Light as well as Static Timing Light.
- The ultimate brand leading contact breaker triggered system.

Value **\$59**



'COMPUTER PROGRAMMABLE' Electronic Car Security System **\$99 ONLY**



- Guards doors, boot, bonnet PLUS radio/tape and auxiliary fog spot lamps. Also inhibits ignition.
- Flashes headlights and intermittently sounds horn for both visual and audible alarm.
- Unique programmable personal code entry system to arm and disarm.

How it works.

An advanced feature of the Sparkrite AT 80 is the 'unique' arming facility. You do not have to drill the exterior body panels to fit the usual 'limited key number' switch. The AT-80 is armed with a special magnetic key fob which enables you to programme your personal security code through the windscreen to a special sensor pad attached to the inside of the screen. Your security code can be changed at any time by simply flicking a switch on the control module and re-programming your new code. A code acceptance light flashes in the windscreen sensor pad as the code is entered.

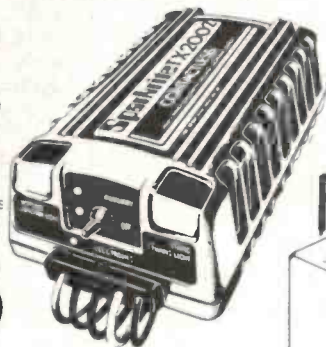
Sparkrite AT-80

TX-2002. Breakerless ignition! Full fitting kit to convert 90% of all cars! All contactless hardware supplied. No drilling or tapping. You can easily convert - and even use your points to work the TX-2002! Cat. KJ-6652

Sparkrite TX2002

A Reactive Discharge System - with unique auxiliary circuit. Combines all features of the TX1002 plus:

- Reactive Discharge electronics combining all the advantages of Inductive and Capacitive Discharge for maximum spark performance.
- Gives the most thorough combustion of air/fuel ratios especially current lean mixture emission controlled engines.
- Unique 3-way change-over switch incorporating an auxiliary back up circuit "ELECTRONIC/OFF/AUXILIARY".
- Robust die-cast case, fully resistant to moisture and heat.
- The ultimate system - REACTIVE DISCHARGE - CONTACTLESS OR CONTACT TRIGGERED - AUXILIARY BACK UP CIRCUIT - CLIP-TO-COIL FITTING - FOUR CONNECTIONS ONLY - ALL PARTS IN ONE BOX TO FIT OVER 500 APPLICATIONS.



TX APPLICATIONS

No separate fitting kit required. All parts in one box. (Suit more than 500 vehicles)

\$115

CONTACTLESS - Using Magnetic 'Hall Effect' triggerhead to replace the points

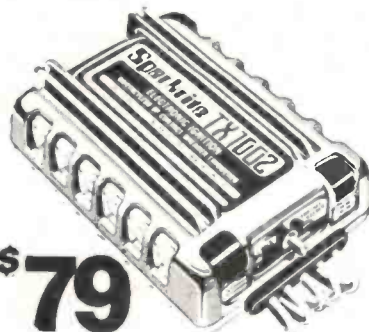
- Replaces contact breaker set completely
- Maintenance free - no wearing parts
- As easy to fit as changing your contact breaker set
- All parts in one box, no separate fitting kit required.

TX-1002. Slightly lower powered version of the TX-2002. Ideal for most 4 cylinder cars. All fitting pieces included! Cat. KJ-6651

Sparkrite TX1002

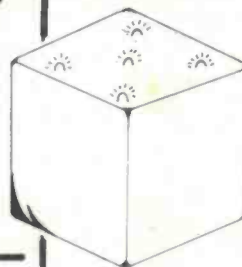
An Inductive Discharge System

- Can be operated utilising 'Hall Effect' triggerhead, or existing contact-breakers.
- Extended dwell Inductive Discharge for maximum spark efficiency.
- Three position switch.
- Static Timing Light.
- Systems Function Light.
- Patented clip-to-coil fitting.
- Robust die-cast case.
- Fully waterproof.
- Protected from the hostile environment of the engine compartment.



THE BRAND LEADER

\$79



MAGIDICE

The best electronic dice ever made! Firstly, this is not a kit. It is completely built and tested.

Basically the MAGIDICE is a glistening black cube measuring 75mm on all sides. It has 6 LED's set into the top of the cube under a red filter (the filter LOOKS black as well).

When the switch in the base is turned on, a wave of the hand over the top of the cube causes the circuit to operate. The cube beeps and gives you a guaranteed random dice "throw" in the form of illuminated LED's. There are no buttons to press and you don't even have to touch the cube!

The last number will remain until you note or wave your hand over the unit to "throw" another number. This (patented) product makes an absolutely unique gift and comes attractively presented. Cat. XC-2006

Please note that a 9V battery snap (supplied) must be fitted to use on local 9V standard cell.

BRILLIANT FUN

GREAT GIFT \$19.95

AT LONG LAST!

Blank rack standard 19" wide front panels. Yes, after many requests we now stock quality front panels for the three popular rack sizes.

Each panel is punched out of 2.5mm thick material, finished, black anodized and punched with oval mounting holes on standard I.E.C. centres.

Cat. HB-5430 - 1 1/2" (45mm)
Cat. HB-5432 - 3 1/2" (88mm)
Cat. HB-5434 - 5 1/2" (132mm)

\$8.95
\$11.95
\$14.95



Sparkrite

The Brandleaders in Auto Electronics

the ultimate in
electronic
ignition

UCTS-LOW PRICES COMPUTER SENSATION!!

You may have wondered why Jaycar did not (until now) sell home computers. We had many reasons but our main one was that we were not entirely "happy" with any of the units currently on the market. The closest we came to what we thought was a pretty good computer was the Apple. We thought that it was, quite frankly expensive. However it was sold and serviced throughout Australia by a reputable sales network — so there was no need for Jaycar!

That's why we got so excited when we saw the "Micro Professor MkII". It is the closest thing that we have seen to be software compatible with the Apple. Yes, we know what you're thinking. It's NOT one of those cheap Taiwanese "Apple" copies which infringe Apples' copyright. The Micro Professor MkII is a completely new and unique design in its own right. It just so happens that most of the widely distributed Apple software will run on this machine. O.K. But why so excited? LOOK AT THE PRICE! Check out the STANDARD FEATURES of this unit. Sit down. Think about it and COMPARE what you get with the Micro Professor MkII as STANDARD that are options on other machines!!

6 Colours



Cat. YC1300

Only \$598

- * 64K OF RAM SUPPLIED STANDARD all that you are ever likely to need.
- * Text, Lo and Hi resolution graphics STANDARD
- * Video AND TV (RF) output STANDARD
- * Easy-to-use manual included in the price (over 248 pages)
- * Power supply included as STANDARD
- * Centronics printer interface STANDARD
- * Multitech BASIC is compatible with APPLE II BASIC. Most APPLE software will run on the Micro Professor MkII

SPECIFICATIONS

CPU	R6502
ROM	16K Bytes
RAM	64K Bytes
BASIC	More than 90 instructions stronger than those for Apple II
Interpreter	Memory mapped into system RAM
Video Display	Text, low-resolution graphics, high resolution graphics (3 modes are mixed)
Type Mode	960 characters (24 lines, 40 columns)
Screen Format	Upper case ASCII, 64 characters
Character Set	5 x 7 dot matrix
Character Type	1920 blocks (low resolution) in 40 x 48 array, 53760 dots (high resolution) in 280 x 192 array
Graphics Capacity	280 x 192 array
Number of Colors	6 colors
Keyboard	49 alphanumeric and function keys
Cassette	Use various cassette tapes and cartridges as data storage units
Software	Connects to printers with Centronics I/F
Printer	Connects to color TV or video display
Display	Used for education & entertainment
Remote	8 ohm, 55mm, 0.25W
Speaker	A switching power supply is provided to convert AC power to required power supply
Power	241 x 175 x 30mm
Dimensions	

COOLING FANS 240VAC

Quality Ball Race construction, now you pay no more for quieter, much longer lasting and more efficient ball-bearing fans from Jaycar!

TWO POPULAR SIZES:

12 WATTS — 80x80x42(d)

\$24.95 Cat. YX2510

13.5 WATTS — 119x119x25(d)

\$27.50 Cat. YX2514



MAGAZINE BINDER

Keep your precious (and expensive) magazines in order for easy reference. Smart blue colour with gold lettering. Heavy gauge and richly chromed metal fittings.
LOW IMPORT PRICE ONLY \$4.95
4 up \$4.50 each



Cat. BB7000



Jaycar NUMBER 1 FOR KITS

125 YORK STREET, SYDNEY 2000

PHONE 264 6688 TELEX 72293

"NEVILLES CORNER"

Cnr. CARLINGFORD & PENNANT HILLS ROAD,

CARLINGFORD

PHONE 872 4444

MAIL ORDERS TO: BOX K 39 HAYMARKET, SYDNEY 2000

POST AND PACKING CHARGES

\$5 - \$9.99 (S15.50) \$10 - \$24.99 (S3.20)

\$25 - \$49.99 (S4.50) \$50 - \$99.99 (S6.50)

\$100 up (S8.00)

NEW SHIRT: \$14.95

NEW T-SHIRT: \$10.95

NEW HAT: \$12.00

NEW SHOES: \$18.00

Mail Order By **BANKCARD**
Via Your Phone



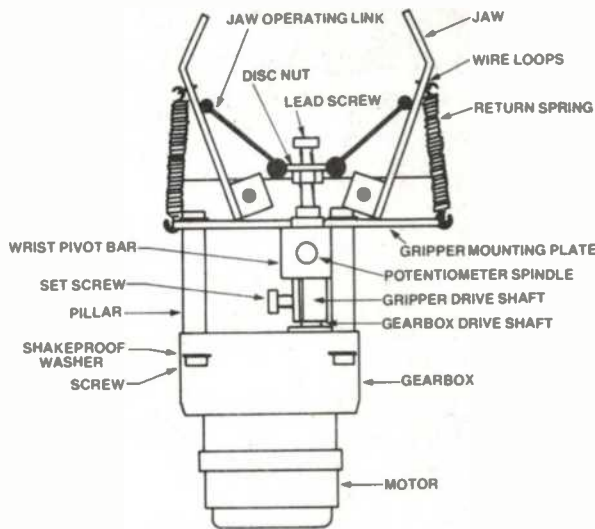


Figure 9. The gripper assembly showing motor mounting, jaw components and pivot bar, etc.

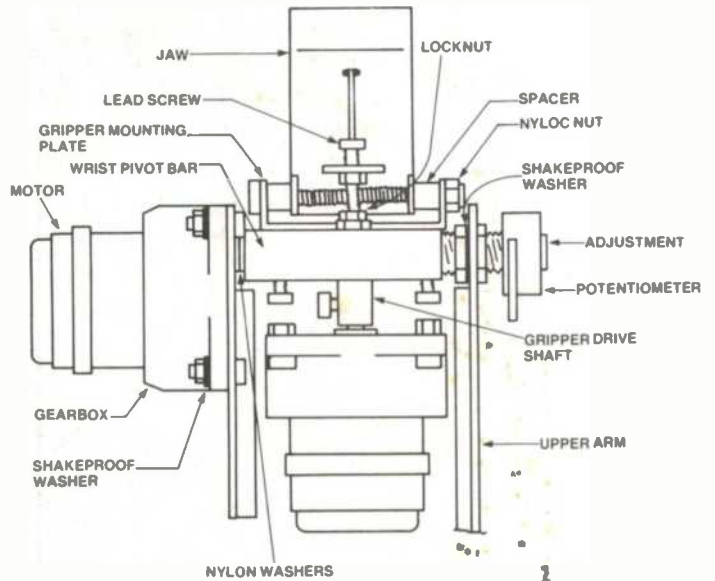


Figure 10. The wrist and gripper assembly, showing how the gripper fits to the wrist drive shaft.

Don't tighten the set screw to the pot shaft at this stage, otherwise you're liable to damage the rotation potentiometer through moving the rotation shaft at some stage of construction.

The end plates for the base are not screwed in place yet, that comes much later.

Gripper

The gripper assembly should be tackled next. The motor marked 'gripper' attaches to the gripper mounting plate, as shown in Figure 9, via four hexagonal pillars. The mounting plate is U-shaped and should have the open side of the U facing away from the motor.

The motor shaft should line up with the large hole in the plate. The wrist pivot bar (see Figure 10), fits flat against the hexagonal pillars and the gripper mounting plate. It only fits correctly one way round.

Two screws pass through the mounting plate into the pivot bar. The gripper drive shaft should pass through the pivot bar and over the gearbox drive shaft, where a set screw is used.

At this stage, apply about 12 V or so to the gripper motor and make sure the gripper drive shaft rotates freely. If not, re-check the orientation of the pivot bar. We found that some filing with a fine rat-tail file was necessary to obtain proper rotation.

The jaws are spaced between the U of the mounting plate by four cylindrical spacers, each about 5 mm long. Tighten the screws onto the lock nuts, but make sure the jaws can still move with only light pressure applied. The screw heads should be on the side where the pivot bar sticks out furthest.

The nylon leadscrew passes through a flat plate about 15 x 50 mm and into the end of the gripper drive shaft. Fit the jaw operating links to the flat plate and return springs with small wire loops. Apply power to the gripper motor once again and observe the action.

The leadscrew will require some adjustment to get the jaws to open and close completely. Once you have mastered the adjustment procedure, you may fix the leadscrew to the

drive shaft with a drop of 'Loctite' or similar compound. **DO NOT** use epoxy or you'll never be able to adjust it again.

Forearm

Sort out the pieces for this assembly. This is the section that goes between the elbow and the wrist (naturally!). Note that the lips on the side plates face inwards.

Fit the counterweight between the two side pieces and loosely mount it with the four countersunk screws. Fit the wrist motor and potentiometer to the *outside* of the side pieces, as shown in Figure 10.

Fit the shaft securing bush (Figure 11) near the counterweight on the same side piece as the wrist motor is mounted on. Tighten it. The gripper may now be placed between the wrist motor and the wrist potentiometer, as per Figure 10.

Tighten the counterweight screws and the set screw on the motor end of the wrist pivot bar. The wrist pot. position should be adjusted by moving the shaft nuts to get the arm side pieces near parallel, but, more importantly, to allow the gripper assembly to rotate freely.

Upper arm

Sort out the pieces for this assembly. Note that the two side pieces assemble with the lips facing outwards.

The two motors and two position pots mount diagonally opposite one another on the two halves. Study the accompanying photographs to get the orientation right.

The potentiometers mount with plastic spacers and bushes to form a sort of floating bearing through the upper arm and shoulder support bracket. Because of this, the upper arm must be assembled through the other pieces so must be done last.

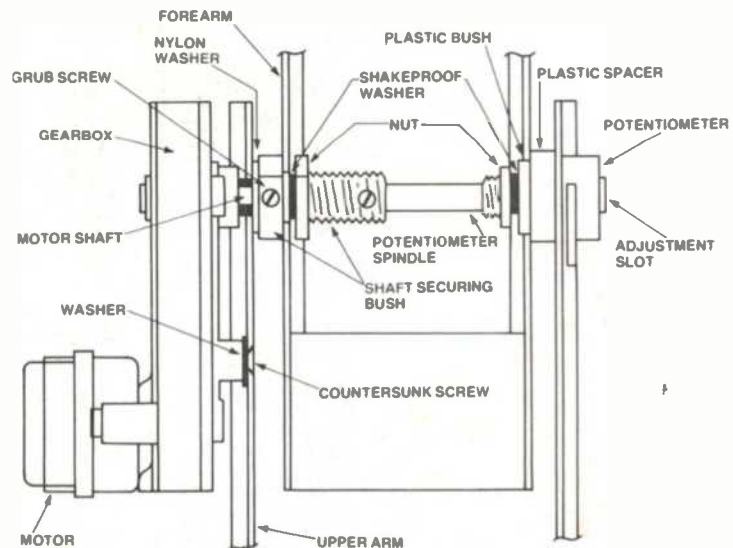
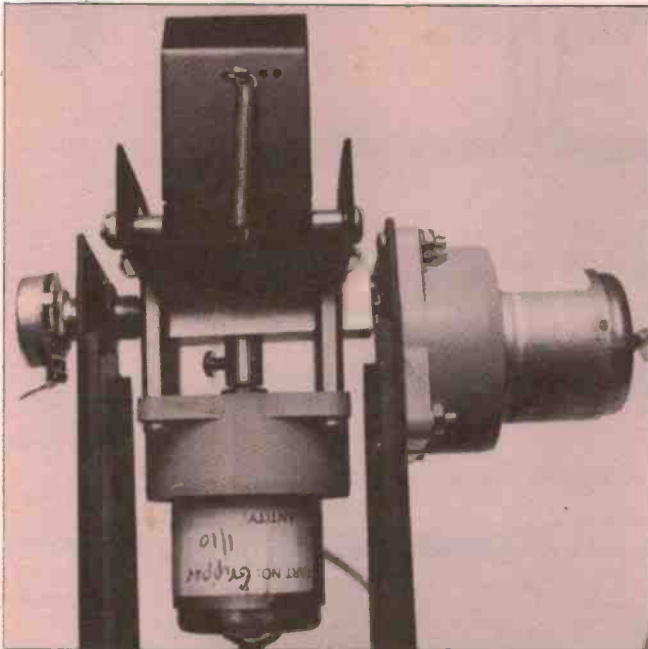
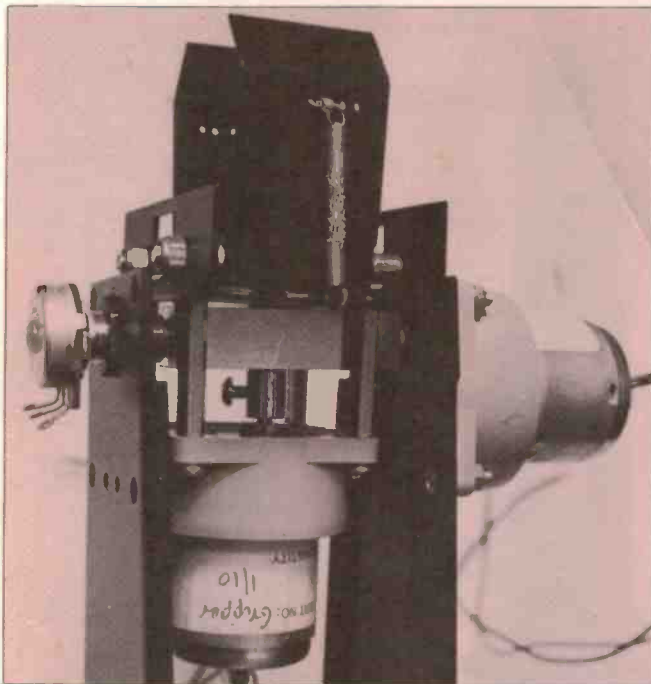


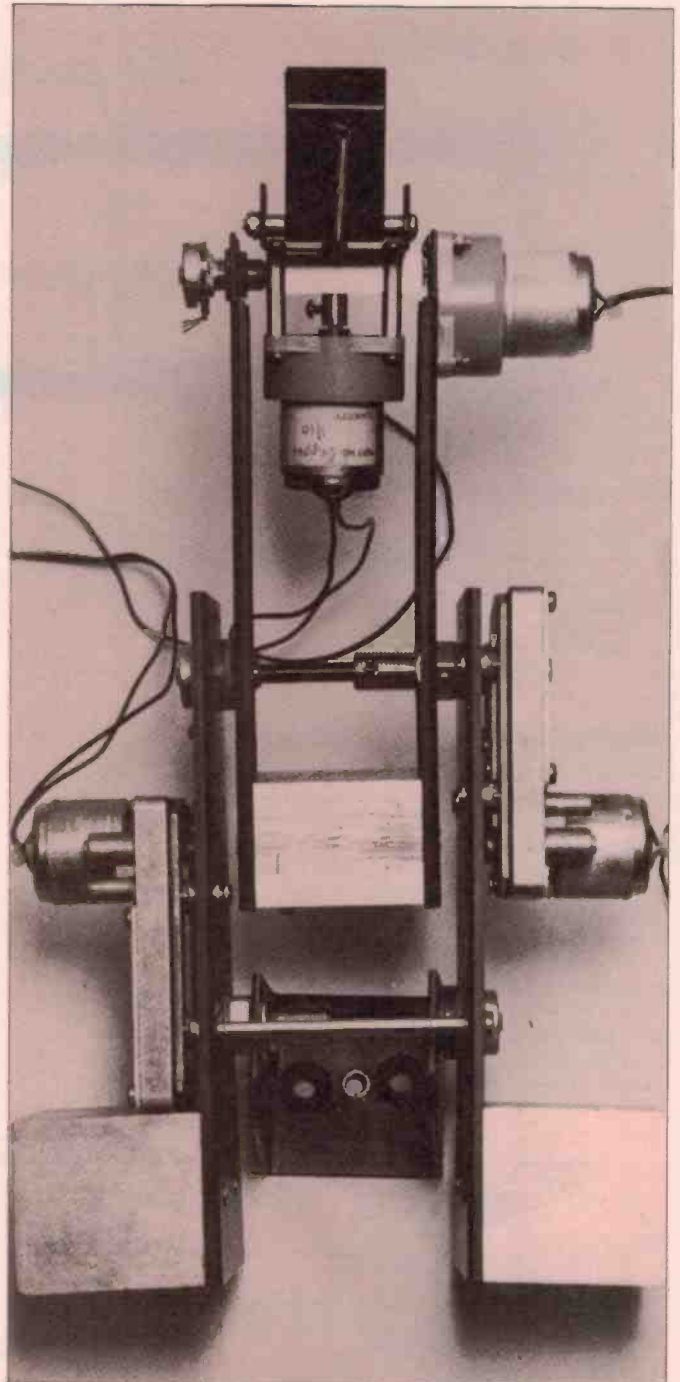
Figure 11. How the elbow is assembled.



The end. View of the wrist and gripper assembly.



Twisted. Angled view of the wrist and gripper assembly.



Assembled. Overall view of the completed arm assembly prior to mounting it on the rotation shaft and attaching the wiring looms.

Fit the two counterweights to the lower ends of the side pieces, on the outside. We found that the two pots on this arm section had to have 5 mm cut off their shafts. Check the fit by trial and error, assembling the upper arm before you chop off the pot. shafts!

A metal rod with threaded ends is used to stabilise the upper arm near the counterweights and to limit the angle through which the arm can move relative to the shoulder support bracket. This rod passes through the outermost holes on the upper arm side pieces

and when the arm is assembled, the rod fits on the side of the shoulder bracket that has the corners cut off. Two nyloc nuts secure this rod. Refer to the accompanying photographs. Don't forget the two rubber grommets in the base of the shoulder bracket.

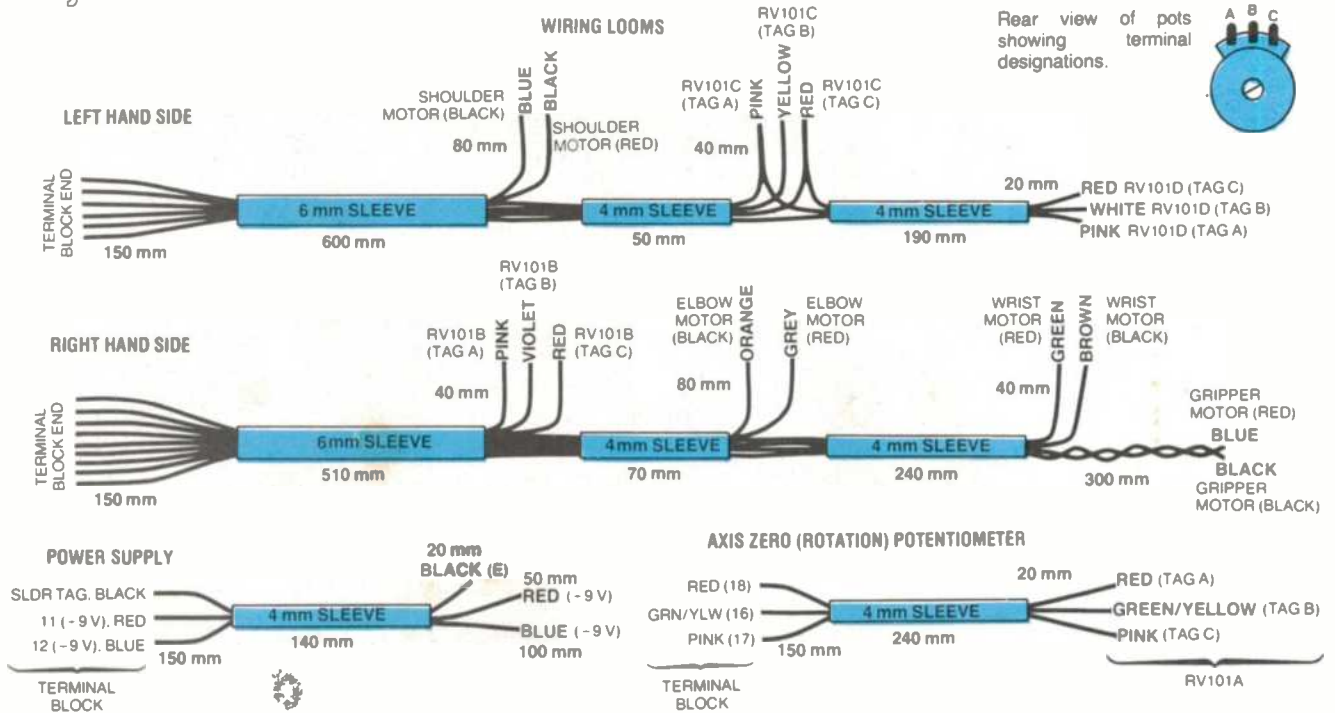
Final

Place the shoulder bracket onto the rotation drive shaft, orienting the arm so that, from the power cord end of the base, the wrist

motor is on the right. Tighten it.

Now secure all the gearbox drive shaft set screws, but not the potentiometer shaft set screws. Move each axis to the centre of its travel — gripper, forearm and upper arm all in line about 60° above the horizontal, with the arm pointing forwards.

Set each potentiometer to its centre position, i.e: equal resistance between the centre tag and each of the outer ones, by using a screwdriver in the adjustment slot. Then secure all the pot. shafts. ▶

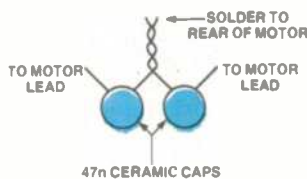


Wiring looms

Now for the wiring looms. Make up the left and right looms as per the Wiring Looms diagram. Use a ruler to cut the wires accurately as only just enough is supplied.

With each loom completed, wire them in place and then route them as shown in Figure 12, securing the looms with cable ties and stick-on cable grips, as shown.

The hash suppression capacitors are mounted on the rear of each motor as follows: take two 47n ceramic capacitors and twist two adjacent leads together, as shown in the accompanying illustration. Cut all leads to a length of about 10 mm.



Solder the joined leads to a convenient spot on the rear of each motor using a heavy duty iron. It is best to lay a blob of solder on the motor case first (i.e. 'tin' a small area), then solder the twisted leads to the blob. Make sure you get a secure connection.

Having done that, cut the motor leads short and solder each to a remaining capacitor lead.

The two looms pass through the grommetted holes in the base of the shoulder bracket, then towards the rear of the base and through the two grommetted holes on the top of the base. Don't wire them to the base end plate terminal blocks yet. Make sure to leave a generous loop near each axis of the arm. Only apply the cable ties loosely at this stage as you will undoubtedly need to adjust them. You can do this by applying power to each motor in turn and seeing that each has

enough freedom of movement without fouling on the cable. The rotation shaft needs 180° of movement, so take care here.

Now you can wire the looms to the terminal blocks, as per Table 1. *Check everything.*

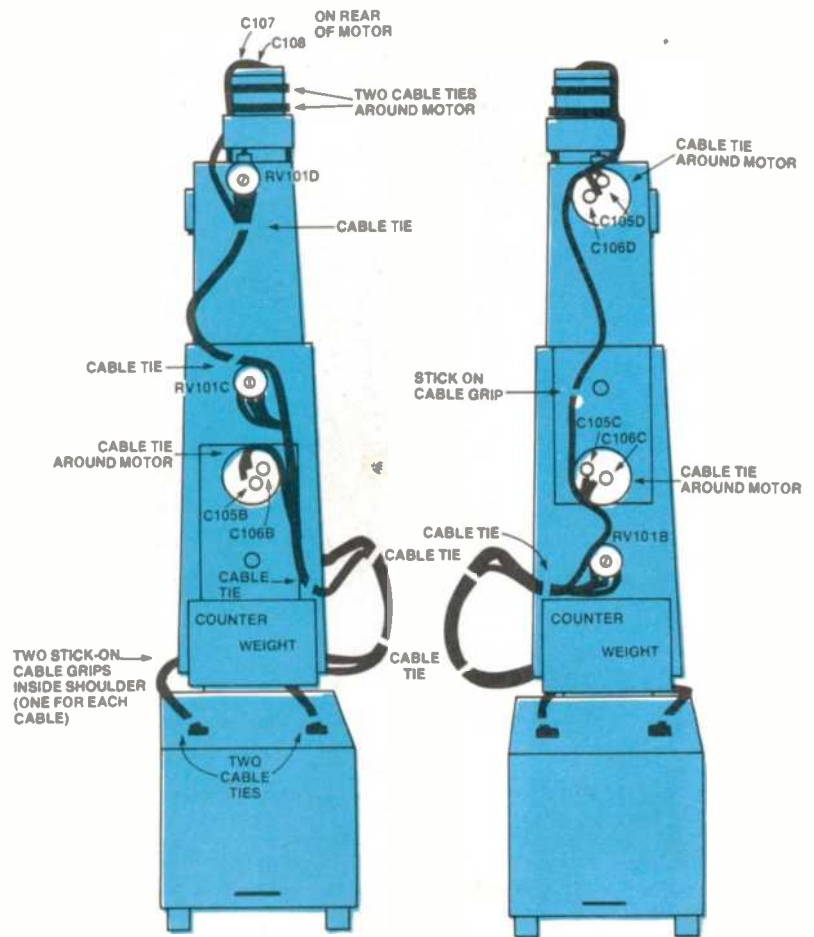


Figure 12. Attaching the wiring looms.

ETI BOOK SALES

Save time and trouble with mail order. Just fill out the coupon on page 136.

electronics textbooks

ELECTRONICS — IT'S EASY VOL. 1 \$5.95
Meters, resistance, capacitance and inductance, emitter followers, op amps, power supplies and electronic filters.

ELECTRONICS — IT'S EASY VOL. 1 \$12.95
Same content in a hard-cover form.

ELECTRONICS — IT'S EASY VOL. 2 \$5.95
Digital sub-systems counters and shift registers, A-D and D-A conversion, digital instruments and test equipment, computers, transmission links and oscilloscopes.

ELECTRONICS — IT'S EASY VOL. 2 \$12.95
Same content in a hard-cover form.

ELEMENTS OF ELECTRONICS

This series is an introduction to modern electronics. All the maths is taught as the reader progresses. The course concentrates on the understanding of concepts central to electronics, rather than digressing over the whole field. The author anticipates where difficulties lie and guides the reader through them.

BOOK 1 \$7.52
BP62
All fundamental theory necessary to full understanding of simple electronic circuits and components.

BOOK 2 \$7.52
BP63
Alternating current theory.

BOOK 3 \$7.52
BP64
Semiconductors technology leading to transistors and ICs.

BOOK 4 \$9.76
BP77
Microprocessing systems and circuits.

BOOK 5 \$9.76
BP89
Communications.

ESSENTIAL THEORY FOR THE ELECTRONICS HOBBYIST \$4.32
228B
This book supplies the electronics hobbyist with the background knowledge which will exactly suit their specific requirements. Minimum maths.

BEGINNER'S GUIDE TO DIGITAL ELECTRONICS \$3.36
BP61
Covers all essential areas including number systems, codes, constructional and sequential logic, analogue/digital/analogue conversion.

A MICROPROCESSOR PRIMER \$5.92
BP72
Learning about microprocessors is easy with this book, written in a style that is easy to follow. The shortcomings of this basic machine are discussed and the reader is shown how these are overcome by changes to the instruction set. Relative addressing, index registers follow as logical progressions.

reference and data handbooks

AUDIO CYCLOPEDIA \$66.00
20675P
A complete, in-depth look at the art of audio — from the basic principles of sound to solid-state and integrated circuits. Over 3000 entries and hundreds of illustrations and circuit diagrams cover acoustics, amplifiers, recording, reproduction, test equipment, audio measurements, and much more.

REFERENCE DATA FOR RADIO ENGINEERS \$21.95
21218P
The largest and most comprehensive collection of equations, graphs, tables, and other reference data needed in general radio engineering and design. Contains hundreds of charts, monographs, diagrams, curves, tables and illustrations.

TUBE SUBSTITUTION HANDBOOK \$8.75
21746P
Complete, accurate, up-to-date guide to direct substitutes for receiving and picture tubes. Contains over 6000 receiving tube substitutes, over 4000 monochrome and colour picture tube substitutes, and 600 communications substitutes. Also includes pinouts for quick operational checks.

CONTEMPORARY MATHEMATICS FOR ELECTRONICS \$29.75
70274P
This book is split into three sections. Direct current maths introduces the student to the calculator, fractions and dimensional analysis. Alternating current maths covers phasors, quadratics and RMS in both sine and digital waveforms. Active device maths introduces number systems and boolean.

AUSTRALIAN MICROCOMPUTER HANDBOOK NOW \$15.00
72505
Normally \$25.00. A detailed buyer's guide to micro-computer systems and application packages in commercial, industrial, scientific, educational and home/hobby areas.

TRANSISTOR SUBSTITUTION HANDBOOK \$8.75
21515P
17th edition — Accurate transistor substitution in a matter of seconds with this replacement listing of over 19 000 American and foreign bipolar transistors.

THE CP/M HANDBOOK WITH MP/M \$19.95
88048A
Shows you how to use CP/M (control program for microprocessors) and its resources. No prior knowledge of computers is assumed. CP/M is available on nearly all computers using the 8080, 8085 or Z80 microprocessors.

HANDBOOK OF ICS EQUIVALENTS AND SUBSTITUTES \$5.76
202B
Contains full interchangeability data on more than 9500 ICs with possible alternatives and equivalents shown. Covers many types of digital and linear ICs.

HANDBOOK OF RADIO, TV, INDUSTRIAL & TRANSMITTING TUBE & VALVE EQUIVALENTS \$2.25
BP2
Equivalents book for amateurs and servicemen. More than 18 000 old and new valves from UK, USA, Europe, Japan et al. CV (military) listings with commercial equivalents included.

RADIO AND ELECTRONIC COLOUR CODES AND DATA CHART \$1.60
BP7
This large wall chart covers all colour codes in use throughout the world. For all radio and electronic components made in UK, USA, Europe and Japan.

FIRST BOOK OF TRANSISTOR EQUIVALENTS AND SUBSTITUTES

BP1 \$3.36
This guide covers many thousands of transistors showing possible alternatives and equivalents. Covers transistors made in UK, Japan, USA, Germany, France, Europe, Hong Kong and includes types produced by more than 120 different manufacturers.

SECOND BOOK OF TRANSISTOR EQUIVALENTS AND SUBSTITUTES

BP14 \$5.92
Interchangeability data covers semiconductors manufactured all over the world. Immediate equivalents are shown and possible substitutes are included.

GIANT CHART — RADIO, ELECTRONICS, SEMI-CONDUCTORS & LOGIC SYMBOLS

BP27 \$1.92
Identify those symbols at a glance. A must for beginners and advanced enthusiasts alike. Professionals can always hide it in their desks!

RESISTOR SELECTION HANDBOOK

BP28 \$2.24
Shows how to combine two preferred values of resistor to obtain virtually any required value of resistance. Includes information about fixed resistors, standard ranges, colour codes and markings, power ratings and resistor calculations.

ELECTRONIC CALCULATOR USERS' HANDBOOK

BP33 \$5.12
Presents formulae, data, methods of calculation, conversion factors, etc. for use with the simplest or most sophisticated calculators. Includes the way to calculate using only a simple four-function calculator: trigonometric functions, hyperbolic functions, logarithms, square roots and powers.

DIGITAL IC EQUIVALENTS AND PIN CONNECTIONS

BP40 \$12.32
Revised edition showing Japanese, American and European equivalents and pin connections of a popular user-orientated selection of digital ICs (available mid 1983).

LINEAR EQUIVALENTS AND PIN CONNECTIONS

BP41 \$9.12
Shows equivalents and pin connections of a selection of popular linear ICs, with details of families, functions, country of origin and manufacture. Includes devices from Analog Devices, Advance Micro Devices, Fairchild, Harris, ITT, Motorola, Philips, RCA, Raytheon, Signetics, Sescocrem, SGS-ATES, Siemens, AEG-Telefunken, Teledyne, Texas Instruments.

PRACTICAL ELECTRONIC CALCULATIONS & FORMULAE

BP53 \$9.76
For the practical person's workbench. Bridges gap between technical theory and cut-and-dried methods which work but leave the experimenter unfulfilled. There's a strong practical bias. Tedious and higher maths avoided where possible.

INTERNATIONAL TRANSISTOR EQUIVALENTS GUIDE

BP85 \$9.76
Companion to BP1 and BP14 equivalents books, but contains a huge amount of information on modern transistors produced by over 100 manufacturers. Wherever possible, equivalents are subdivided into European, American and Japanese types. Also shown are the material type, polarity, manufacturer and indication of use or application.

HOW TO IDENTIFY UNMARKED ICS

BP101 \$2.46
This chart shows the reader how, with just a test-meter, to go about recording the particular 'signature' of an unmarked IC which should enable the IC to be identified with reference to manufacturers or other data.

electronics for beginners

BEGINNERS HANDBOOK OF IC PROJECTS

74286P \$19.25
The novice is guided in mastering the fundamentals of building, troubleshooting and testing electronic projects. In addition to many elementary projects, more advanced ones are included concerning bipolar integrated circuits and medium and large-scale integrated circuits.

HI-FI LOUDSPEAKER ENCLOSURES

205B \$3.36
Data for building corner reflex, bass reflex, exponential horn, folded horn, tuned port, Klipschorn labyrinth, tuned column, loaded port and multi speaker panoramics. Clear dimensioned diagrams included.

SOLID STATE NOVELTY PROJECTS

219B \$3.04
A number of novelty projects using modern ICs and transistors. Includes 'Optomin' — a musical instrument played by reflecting a light beam with your hand, water warbler for pot plants, music tone generator, LEDs and ladders game, touch switch, electronic roulette wheel, etc.

SOLID STATE SHORTWAVE RECEIVERS FOR BEGINNERS

222B \$4.32
Design and construction of several solid-state shortwave receivers giving high level of performance yet utilising relatively few inexpensive components.

BEGINNERS' GUIDE TO BUILDING ELECTRONIC PROJECTS

227B \$5.12
Enables total beginners to tackle electronic projects. Includes component identification, tools, soldering, building methods, cases, legends, etc. etc. Practical basic projects are included.

ESSENTIAL THEORY FOR THE ELECTRONICS HOBBYIST

228B \$4.32
This book supplies the electronics hobbyist with the background knowledge which will exactly suit their specific requirements. Minimum maths.

RADIO AND ELECTRONIC COLOUR CODES AND DATA CHART

BP7 \$1.60
This large wall chart covers all colour codes in use throughout the world. For all radio and electronic components made in UK, USA, Europe and Japan.

FIRST BOOK OF PRACTICAL ELECTRONIC PROJECTS

BP23 \$2.72
Full constructional data, circuits, components lists for many practical projects including audio distortion meter, superFET receiver, guitar amp, metronome, etc.

RESISTOR SELECTION HANDBOOK

BP28 \$2.24
Shows how to combine two preferred values of resistor to obtain virtually any required value of resistance. Includes information about fixed resistors, standard ranges, colour codes and markings, power ratings and resistor calculations.

HOW TO BUILD YOUR OWN METAL AND TREASURE LOCATORS

BP32 \$5.92
Electronic and practical details on the simple and inexpensive construction of heterodyne metal locators.

ELECTRONIC PROJECTS FOR BEGINNERS

BP48 \$4.64
This book gives the newcomer to electronics a wide range of easily built projects. Actual components and wiring layouts aid the beginner. Some of the projects may be built without using soldering techniques.

POPULAR ELECTRONIC PROJECTS

BP49 \$4.96
A collection of the most popular types of circuits and projects to interest most electronics constructors. The projects cover a wide range and are divided into four basic types: radio, audio, household and test equipment.

BEGINNERS GUIDE TO DIGITAL ELECTRONICS

BP61 \$3.36
Covers all essential areas including number systems, codes, constructional and sequential logic, analogue/digital/analogue conversion.

ELECTRONIC GAMES

BP69 \$5.92
How to build many interesting electronic games using modern ICs. Covers both simple and complex circuits for beginner and advanced builder alike.

RADIO CONTROL FOR BEGINNERS

BP79 \$5.92
How complete systems work with constructional details of solid state transmitters and receivers. Also included — antennas, field strength meter, crystal controlled superhet, electro-mechanical controls. Section dealing with licensing etc. not applicable to Australia.

EASY ELECTRONICS-CRYSTAL SET CONSTRUCTION

BP92 \$6.56
For those who wish to participate in the intricacies of electronics more through practical construction than by theoretical study. The circuits are based on those from earlier publications but have been modified to use modern inexpensive components and home wound coils.

IC PROJECTS FOR BEGINNERS

BP97 \$6.56
Especially written for the less experienced hobbyist, and offers a range of fairly simple projects based around a number of popular and inexpensive linear and digital ICs. Complete layout and point-to-point wiring diagrams included.

ELECTRONICS — IT'S EASY VOL. 1

\$5.95
Meters, resistance, capacitance and inductance, emitter followers, op amps, power supplies and electronic filters.

ELECTRONICS — IT'S EASY VOL. 1

\$12.95
Same content in a hard-cover form.

ELECTRONICS — IT'S EASY VOL. 2

\$5.95
Digital sub-systems counters and shift registers, A-D and D-A conversion, digital instruments and test equipment, computers, transmission links and oscilloscopes.

ELECTRONICS — IT'S EASY VOL. 2

\$12.95
Same content in a hard-cover form.

SIMPLE PROJECTS FROM ETI

\$2.95
Two volumes containing easy projects plus chapters on construction techniques and useful information on components.

HOBBY ELECTRONICS PROJECT BOOK

\$4.95
Fifty projects ranging from very simple ones for complete beginners to more elaborate ones for those with more experience. There's a complete guide to soldering and instructions on how to make your own pc boards.

HOW TO BUILD ELECTRONIC GAMES

\$3.95
Alien invaders, electronic die, sound effects, two slot car controllers, electronic poker machine, the family ferry and lots more.

HOW TO BUILD GOLD AND TREASURE DETECTORS

\$3.95
Tells you how metal detectors work and how to construct the different types of detectors: discriminating, BFO, induction balance and a professional deep-seeking unit. How to build a geiger counter.

constructional projects general

DESIGN OF TRANSISTOR CIRCUITS, WITH EXPERIMENTS

21626P \$20.75
A self-teaching course in transistor circuits — seven chapters explore the fundamentals of active semiconductor and their operating principles and procedures. Experiments in design and semiconductor testing provide hands-on experience.

UNIQUE ELECTRONIC WEATHER PROJECTS

21484P \$13.25
Fun and easy-to-build projects include an IC barometer to serve as a tornado warning and a 'thermostat with a brain' to help conserve energy.

BUILD YOUR OWN HI-FI & AUDIO ACCESSORIES

220B \$3.04
Essential for keen hi-fi and audio enthusiasts. Projects include stereo decoder, three-channel mixer, FET preamp for ceramic pick-ups, mic preamp with adj. bass, stereo dynamic noise limiter, loudspeaker protector, voice-operated relay, etc.

28 TESTED TRANSISTOR PROJECTS

221B \$4.32
Some circuits are new, others are familiar designs. Projects can be split and/or combined for specialised needs.

50 CMOS PROJECTS

224B \$4.64
Many interesting and useful projects — multivibrators, amplifiers and oscillators; trigger devices; special devices.

MAJOR SOLID STATE AUDIO HI-FI PROJECTS

BP29 \$3.04
Three projects for the more experienced constructor: 12.5 W/ch stereo amplifier, eight input stereo/mono mixer and 4x14 W quadrasonic amplifier. Full constructional details provided.

HOW TO BUILD YOUR OWN METAL AND TREASURE LOCATORS

BP32 \$5.92
Electronic and practical details on the simple and inexpensive construction of heterodyne metal locators.

HOW TO MAKE WALKIE-TALKIES

BP43 \$5.12
This treatise on low power transmitter-receivers (walkie-talkies) covers many aspects from licensing requirements and bands, through practical circuitry and construction to the various types of aerials that may be used.

PROJECTS IN OPTO-ELECTRONICS

BP45 \$5.92
Included are simple circuits using ordinary LEDs as well as more sophisticated designs such as infra red transmitters and detectors, modulated light transmission and also photographic projects etc.

RADIO CIRCUITS USING ICs

BP46 \$4.64
This book describes ICs and how they can be employed in receivers for the reception of either amplitude or frequency modulated signals. Also discussed are stereo decoder circuits, quadrophonic circuits and voltage regulator devices.

POPULAR ELECTRONIC PROJECTS

BP49 \$4.96
Includes a collection of the most popular types of circuits and projects which cover radio, audio, household projects and test equipment.

HOW TO BUILD YOUR OWN SOLID-STATE OSCILLOSCOPE

BP57 \$5.12
Project divided into sections for builder individually to construct and test — then assemble into complete instrument. Includes short section on scope usage.

SINGLE IC PROJECTS

BP65 \$5.12
Simple to build projects based on a single IC. A few projects use one or two transistors as well. A strip board layout is given for each project plus special constructional and setting up info. Contents include low level audio circuits, audio power amps, timers, op-amps and miscellaneous circuits.

ELECTRONIC GAMES

BP69 \$5.92
A number of interesting electronic games projects using ICs for both the beginner and advanced enthusiast.

ELECTRONIC HOUSEHOLD PROJECTS

BP71 \$5.92
Most useful and popular projects for use around the home. Includes two-tone buzzer, intercom, smoke and gas detectors, baby alarm, freezer alarm etc. etc.

REMOTE CONTROL PROJECTS

BP73 \$6.56
Covers radio, infra-red, visible light, ultrasonic controls. Full explanations are provided so that the reader can adapt the projects for domestic and industrial as well as model use.

POWER SUPPLY PROJECTS

BP76 \$5.92
This book gives a number of power supply designs, including simple unregulated types, fixed voltage regulated types and variable voltage stabilised designs. The designs are all low voltage types for semiconductor circuits.

POPULAR ELECTRONIC CIRCUITS — BOOK 1

BP80 \$6.56
Yet more circuits from Mr. Penfold! Includes audio, radio, test gear, music projects, household projects and many more. An extremely useful book for all hobbyists, offering remarkable value for the designs it contains.

ELECTRONIC PROJECTS USING SOLAR CELLS

BP82 \$6.56
Includes a number of projects that benefit from solar power and obviate the problems encountered with batteries, such as weight and bulk, frequency of replacement, and failure when batteries are exhausted.

DIGITAL IC PROJECTS

BP84 \$6.56
Companion to No. 225 Practical Introduction to Digital ICs and BP61 Beginner's Guide to Digital Electronics. The projects included in this book range from simple to more advanced projects — some board layouts and wiring diagrams are included.

AUDIO PROJECTS

BP90 \$6.56
Covers a wide range of audio projects including pre-amplifiers and mixers, power amplifiers, tone controls and matching etc. A number of board layouts and wiring diagrams are included.

LOOK! More books!

mail order coupon on page 136

ELECTRONIC TIMER PROJECTS

BP93 \$6.56
These may have a high degree of accuracy with quartz control or they may be quite simple designs, using only a few components. A number of specialist timer projects are car windscreen wiper delay unit, darkroom timer, metronome etc.

ELECTRONIC PROJECTS FOR CARS AND BOATS

BP94 \$6.56
Fifteen fairly simple projects designed for use with 12 V electrical systems but in some cases can also be employed with 6 V and/or positive earth systems as well.

MODEL RAILWAY PROJECTS

BP95 \$6.56
Projects include such things as controllers, signals and sound effects units. Construction stripboard layouts are provided for each project.

CB PROJECTS

BP96 \$6.56
A number of useful designs include a speech processor, interference filters and a simple CB radio receiver. Stripboard layouts, wiring diagrams and notes on construction are provided.

POPULAR ELECTRONICS CIRCUITS — BOOK 2

BP98 \$7.52
A companion for BP80, this book provides a wide range of designs for electronics enthusiasts who are capable of producing working projects from just a circuit diagram without the aid of detailed constructional information.

MINI-MATRIX BOARD PROJECTS

BP99 \$6.56
This book provides a selection of 20 useful circuits which can all be built on a mini-matrix board which is just 24 holes by 10 copper strips in size. Simple and easy for those with not much experience in electronics.

MULTI-CIRCUIT BOARD PROJECTS

BP103 \$6.56
All circuits are based on one specially designed pc board. Recommended to the less experienced hobbyist.

ELECTRONIC SCIENCE PROJECTS

BP104 \$7.52
These projects range in complexity from a simple colour temperature meter to an infra-red laser. There is an electronic clock regulated by a resonating spring and an oscilloscope with a solid-state display. How to build them and use them is fully explained.

AERIAL PROJECTS

BP105 \$6.56
Practical aerial designs including active, loop and ferrite which are relatively simple and inexpensive to build. The complex theory and mathematics of aerial design have been avoided.

MODERN OP-AMP CIRCUITS

BP106 \$6.56
A collection of widely varying circuits and projects based on the op-amp ICs.

HOW TO GET YOUR ELECTRONIC PROJECTS WORKING

BP110 \$6.56
Helps you to overcome the problems of a circuit that doesn't work by indicating how and where to start looking for many of the common faults that can occur when building up a project.

circuit techniques and design

TTL COOKBOOK

21035P \$17.50
A complete look at TTL logic circuits — what TTL is, how it works, and how to use it. Many kinds of practical TTL are included, such as digital counters, electronic stopwatches, digital voltmeters, etc.

ACTIVE-FILTER COOKBOOK

21168P \$21.95
Learn how to construct filters of all kinds — highpass, lowpass, bandpass. The book is easy to understand — no advanced maths or obscure theory is used.

ELECTRONIC CIRCUITBOOK 1:

PROJECT CONSTRUCTION
21241P \$7.50

Your basic guide to project construction, covering component identification, power supplies, proper tool selection, troubleshooting techniques, oscilloscope use, custom-made enclosures, and more.

CMOS COOKBOOK

21398P \$19.25
This book explains CMOS technology and its application to 'real world' circuitry. A mini-catalogue is included, which lists over 100 devices, giving their pinouts and application notes.

IC TIMER COOKBOOK

21416P \$15.95
Gives you a look at the hundreds of ways IC timers are used in electronic instrumentation.

IC CONVERTER COOKBOOK

21527P \$20.75
Written for the practising engineer, technician, hobbyist or student, this book will be an invaluable working guide to the understanding and use of IC analogue/digital and digital/analogue converters.

DESIGN OF OP-AMP CIRCUITS, WITH EXPERIMENTS

21537P \$16.50
The design of the fundamental circuits that are the basic building blocks of more sophisticated systems. A series of 35 experiments illustrates the design and operation of linear amps, differentiators and integrators, voltage and current converters, active filters, and lots more.

555 TIMER APPLICATIONS SOURCE BOOK, WITH EXPERIMENTS

21538P \$11.25
This book describes the construction of the 555 timer and gives numerous practical examples of its applications in all areas of electrical and computer engineering, including 17 simple experiments.

DESIGN OF ACTIVE FILTERS WITH EXPERIMENTS

21539P \$15.95
Introduction to the theory, implementation and design of active filters using the 741 op-amp.

DESIGN OF PHASE-LOCKED LOOP CIRCUITS, WITH EXPERIMENTS

21545P \$15.95
An excellent introduction to the theory, design and implementation of phase-locked loop circuits using various TTL and CMOS devices. Includes manufacturers' data sheets and describes the use of breadboarding aids in the wide range of laboratory-type experiments.

AUDIO IC OP-AMP APPLICATIONS

21558P \$13.25
This book discusses IC op-amps and their application in audio systems, and describes the numerous advantages of using op-amps, including small spatial needs, low power consumption, reliable performance and low cost. Assumes a basic understanding of op-amp theory.

UNDERSTANDING CMOS INTEGRATED CIRCUITS

21598P \$9.95
This book tells you what CMOS ICs are, how they work, and how they can be used in electronic circuit designs. Many practical circuits, complete with parts values, are included.

DESIGN OF TRANSISTOR CIRCUITS

WITH EXPERIMENTS
21626P \$20.75
A self-teaching course to provide the background and explanations necessary to teach the reader the art of designing transistor circuits.

GUIDE TO CMOS BASICS, CIRCUITS, AND EXPERIMENTS

21654P \$14.95
If you are already familiar with TTL devices and are ready to examine the benefits of CMOS, this book is your complete source. It tells you what CMOS devices are, their characteristics and design rules. 22 experiments demonstrate the concepts discussed.

PRACTICAL TRANSFORMER DESIGN HANDBOOK

21657P \$35.50
An easy to understand, illustration-filled guide to designing and constructing transformers. Reviews the fundamentals of electricity, magnetism and algebra needed to understand transformer theory, and covers general design considerations, transformer types, power losses and transformer use in converters and inverters.

Z80 MICROCOMPUTER DESIGN PROJECTS

21682P \$20.75
This book provides a complete look at the internal architecture of the Z80, the heart of many microcomputers, and even shows how to build a microcomputer, the EX80, using this powerful chip.

DESIGN OF VMOS CIRCUITS, WITH EXPERIMENTS

21686P \$17.50
The authors look at the technology which makes dramatic advancements possible with VMOS, and show how these components can easily and effectively be integrated into common circuit designs to enhance their responses.

IC OP-AMP COOKBOOK

21695P \$23.75
Basic op-amp theory in detail, with 200 practical, illustrated circuit applications: JFET and MOSFET units are featured, plus manufacturers' data sheets and company addresses.

EXPERIMENTS IN ARTIFICIAL INTELLIGENCE FOR SMALL COMPUTERS

21785P \$13.25
Artificial Intelligence is the capability of a device to perform functions normally associated with human intelligence. With this book, a small computer with extended BASIC and some knowledge of BASIC language, you can conduct interesting and exciting experiments in artificial intelligence.

PRACTICAL SOLID-STATE CIRCUIT DESIGN

21787P \$14.95
An introductory course in practical solid-state circuit design for the experimenter, designer or technician who is interested in constructing tailor-made circuits.

SCRS AND RELATED THYRISTOR DEVICES

21806P \$19.25
Written for experimenters, technicians and engineers, this book is a practical and comprehensive guide to theory, operation, specifications and applications of silicon-controlled rectifiers (SCRs) and related thyristor devices.

REGULATED POWER SUPPLIES

21808P \$29.75
Comprehensive discussion of the internal architecture and operation of the latest solid-state regulators. Explains when regulated supplies are needed and how to incorporate them in your projects, and discusses modern circuitry including linear and switching circuits and late ICs.

ANALOG INSTRUMENTATION FUNDAMENTALS

21835P \$29.75
Numerous practical, hands-on lab experiments and solved problems are included, plus discussions of movements, dc ammeters, voltmeters, ohmmeters, bridges, filters and attenuators. No calculus is required.

RF CIRCUIT DESIGN

21868P \$33.95
A practical approach to the design of RF amplifiers, impedance-matching networks and filters. Uses a minimum of complex maths.

SOLAR CELLS

22270P \$37.95
In-depth description of the basic operating principles and design of solar cells. It also covers the techniques currently used to produce solar cells and reviews system applications.

ELECTRONIC DESIGN WITH OFF-THE-SHELF ICs

50274P \$14.70
It contains virtually all the information you need to design and build electronic circuits, systems and subsystems with readily available ICs. Shows how to interface them into highly complex systems.

MODERN FILTER DESIGN

94663P \$49.95
This book details the advances in active RC filters, both from a practical standpoint and from a state-of-the-art point of view. It is the first book that gives detailed analysis and design procedures for switched capacitor filters.

COIL DESIGN AND CONSTRUCTION MANUAL

160B \$6.56
How to make RF, IF, audio and power coils, chokes and transformers. Maths is simplified.

50 PROJECTS USING CA3130 ICs

223B \$4.32
The CA3130 is an advanced operational amplifier capable of higher performance than many others: circuits often need fewer ancillary components. Audio projects, RF projects, Test equipment, Household projects, Misc. projects.

PRACTICAL INTRO TO DIGITAL ICs

225B \$4.32
Introduction to digital ICs (mainly TTL 7400). Besides simple projects, includes logic test set to identify and test digital ICs. Also includes digital counter-timer.

50 CIRCUITS USING GERMANIUM, SILICON AND ZENER DIODES

BP36 \$3.36
50 interesting and useful circuits and applications using the germanium and silicon signal diodes, silicon rectifier diodes and zener diodes etc.

50 PROJECTS USING RELAYS, SCRS AND TRIACS
BP37 \$5.92
Practical working circuits using silicon controlled rectifiers, relays and bi-directional triodes. With a minimum of difficulty you can use them in motor control, dimming and heating control, timing and light sensitive circuits, warning devices and many others.

50 FET PROJECTS
BP39 \$5.92
Projects include amplifiers and converters, test equipment, tuners, receivers and receiver aids, mixers and tone controls etc etc. The FET used is not critical. This book is of interest and value to SW listeners, radio amateurs, hi-fi enthusiasts and general experimenters

50 SIMPLE LED CIRCUITS
BP42 \$3.36
50 interesting and useful circuits and applications using the LED. Also includes circuits for the 707 Common Anode Display for the beginner and advanced enthusiast.

IC555 PROJECTS
BP44 \$6.56
One wonders how life went on before the 555! Included are basic and general circuits, motor car and model railway circuits, alarms and noise makers plus section on subsequent 556, 558 and 559s.

PROJECTS IN OPTO-ELECTRONICS
BP45 \$5.92
Included are simple circuits using ordinary LEDs as well as more sophisticated designs such as infra-red transmitters and detectors, modulated light transmission and also photographic projects etc.

RADIO CIRCUITS USING ICs
BP46 \$4.64
This book describes ICs and how they can be employed in receivers for the reception of either amplitude or frequency modulated signals. Also discussed are stereo decoder circuits, quadrophonic circuits and voltage regulator devices.

LM 3900 IC PROJECTS
BP50 \$4.64
Unlike conventional op-amps, the LM 3900 can be used for all the usual applications as well as many new ones. It's one of the most versatile, freely obtainable and inexpensive devices around. This book provides the groundwork for simple and advanced uses — it's much more than a collection of projects. Very thoroughly recommended.

50 CIRCUITS USING 7400 SERIES ICs
BP58 \$5.12
50 interesting and useful circuits and applications using these inexpensive and versatile devices.

50 CMOS IC PROJECTS
224B \$4.64
Projects include multivibrators, amplifiers and oscillators, trigger devices and other special devices.

SECOND BOOK OF CMOS IC PROJECTS
BP59 \$5.12
Leading on from book number 224 '50 CMOS IC PROJECTS', this second book provides a further selection of useful circuits mainly of a fairly simple nature. Contents have been selected to ensure minimum overlap between the two books.

COUNTER DRIVER AND NUMERAL DISPLAY PROJECTS
BP67 \$5.92
Well-known author F.G. Rayer features applications and projects using various types of numeral displays, popular counter and driver ICs, etc

VMOS PROJECTS
BP83 \$6.56
Though primarily concerned with VMOS power FETs and their applications, power MOSFETs are dealt with too, in a chapter on audio circuits. Projects include audio circuits, sound generator circuits, dc control circuits and signal circuits

DIGITAL IC PROJECTS
BP84 \$6.56
Helps the reader to develop a knowledge of the workings of digital circuits. Board layouts and wiring diagrams are included

HOW TO USE OP-AMPS
BP88 \$7.52
Design notes and applications on many topics including basic theory, amplifiers, power supplies, audio circuits, oscillators, filters, computers and control engineering. It's written around the 741 IC but includes design notes for most of the common op-amps

ELECTRONIC TIMER PROJECTS
BP93 \$6.56
These may have a high degree of accuracy with quartz control or they may be quite simple designs, using only a few components. A number of specialist timer projects are car windscreen wiper delay unit, darkroom timer, metronome etc

ETI CIRCUITS BOOKS 1/2/3 \$2.95 ea
Many of these circuits have been published in the 'Ideas for Experimenters' section in ETI.

ETI CIRCUIT TECHNIQUES VOLS 1/2 \$4.75 ea
The how, what, which, where, why and how much anthology of electronic components, circuits and techniques.

test equipment and fault finding

AUTOMOTIVE TUNE-UP AND EMISSION CONTROL SERVICE

21712P \$20.75
Car owners who wish to save money and maintain their cars at peak performance will learn from this book how to adjust, repair and maintain the systems that ensure best operation.

TROUBLESHOOTING WITH THE OSCILLOSCOPE

21738P \$15.95
Excellent for the professional service technician or the serious hobbyist, as it combines step-by-step procedures for using the scope with the specific nuts and bolts of TV receiver troubleshooting.

EFFECTIVELY USING THE OSCILLOSCOPE

21794P \$14.95
Excellent for the professional service technician or the serious do-it-yourself, as it combines the correct step-by-step procedures for using a scope with the specific nuts and bolts of TV receiver troubleshooting.

MICROCOMPUTER DESIGN AND TROUBLESHOOTING

21819P \$26.75
Tells you how to design microcomputer systems and make them work without an expensive commercial development system or the need for costly test instrumentation. The author also provides a complete description of two popular microprocessors — the 8085 and the 6502.

USE OF THE DUAL-TRACE OSCILLOSCOPE

40023P \$23.75
This programmed text breaks down the process of operating a scope into a series of logical steps starting with the deflection of the electron beam and continuing through proper use of the triggering controls to measure the phase difference between two waveforms.

ELECTRONIC TROUBLESHOOTING HANDBOOK

52585P \$10.50
This workbench guide shows you how to pinpoint transistor troubles in minutes, how to test almost everything electronic and how to get the most out of low cost test equipment.

PRACTICAL REPAIR AND RENOVATION OF COLOUR TVs

BP34 \$4.32
This book shows how to obtain a working colour TV for very little outlay by repairing and renovating a set that has been 'written off' by a dealer. Includes practical details of how to construct your own CRT tester/revivator and cross hatch generator.

HOW TO BUILD YOUR OWN SOLID STATE OSCILLOSCOPE

BP57 \$5.12
The oscilloscope is divided into various sections which can be individually constructed and tested and then assembled together to complete the whole instrument. Also tells you how to use the instrument.

TRANSISTOR RADIO FAULT-FINDING CHART

BP70 \$1.92
Used properly, this chart should enable the reader to trace most common faults quickly. Across the top of the chart are four rectangles containing brief descriptions of the faults. Selecting the appropriate fault, the reader simply follows the arrows and carries out the suggested checks in sequence until the fault is cleared.

ELECTRONIC TEST EQUIPMENT CONSTRUCTION

BP75 \$5.92
Describes construction of wide range of test gear including FET amplified voltmeter, resistance bridge, field strength indicator, heterodyne frequency meter etc.

POWER SUPPLY PROJECTS

BP76 \$5.92
Includes simple unregulated types, fixed voltage regulator types and variable voltage stabilised designs. The designs are all low voltage types for semiconductor circuits.

HOW TO GET YOUR ELECTRONIC PROJECTS WORKING

BP110 \$6.56
Helps you to overcome the problems of a circuit that doesn't work by indicating how and where to start looking for many of the common faults that can occur when building up a project.

TEST GEAR — METERING AND POWER SUPPLY PROJECTS \$3.00
Includes many types of meters, audio noise and signal generators, simple CMOS tester, oscilloscope calibrator etc.

TEST GEAR — VOL. 2 \$3.95
Projects include audio oscillator, transistor tester, true RMS voltmeter, RF signal generator, versatile logic test probe, microwave oven leak detector etc.

ELECTRONIC PROJECTS FOR YOUNG SCIENTISTS \$3.95
PH meter, geiger counter, helium-neon laser, sound level meter, solar cells, negative ion generator and much more.

electronic music/audio/video

AUDIO CYCLOPEDIA

20675P \$66.00
A complete in-depth look at the art of audio — from the basic principles of sound to solid-state and integrated circuits. Over 3000 entries and hundreds of illustrations and circuit diagrams cover acoustics, amplifiers, recording, reproduction, test equipment, audio measurements, and much more.

ELECTRONIC MUSIC CIRCUITS

21833P \$24.95
How to build a custom electronic music synthesiser, outlines numerous other circuit designs and then shows you how to modify them to achieve particular responses. Many of the circuits can be used as special-effects boxes for guitars and other musical instruments.

INTRODUCTION TO ELECTRO-ACOUSTIC MUSIC

81515P \$15.95
This book assumes no previous technical knowledge. It discusses the relationship between the technology and the composition of electro-acoustic music.

MODERN RECORDING TECHNIQUES

21037P \$19.25
Explains the equipment controls and techniques found in a modern recording studio and how to use them creatively and correctly to produce a desired result. Numerous photographs, diagrams and charts.

SOUND SYSTEM ENGINEERING

21156P \$32.50
Dealing with audio systems as a whole, it includes installing and equalising the sound system and interfacing the electrical and acoustic systems. Instrumentation, the acoustic environment and designing for acoustic gain are covered.

TUBE SUBSTITUTION HANDBOOK

21746P \$8.75
Complete, accurate, up-to-date guide to direct substitutes for receiving and picture tubes. Contains over 6000 receiving tube substitutes, over 4000 monochrome and colour picture tube substitutes, and 600 communications substitutes. Also includes pinouts for quick operational checks.

HOW TO BUILD SPEAKER ENCLOSURES

20520P \$8.75
A practical guide to the 'whys' and 'hows' of constructing high-quality top-performance loudspeaker enclosures.

ACTIVE-FILTER COOKBOOK

21168P \$21.95
Learn how to construct filters of all kinds — highpass, lowpass, bandpass. The book is easy to understand — no advanced maths or obscure theory is used.

DESIGN OF ACTIVE FILTERS WITH EXPERIMENTS

21539P \$15.95
Introduction to the theory, implementation and design of active filters using the 741 op-amp.

AUDIO IC OP-AMP APPLICATIONS

21558P \$13.25
This book discusses IC op-amps and their application in audio systems, and describes the numerous advantages of using op-amps, including small spatial needs, low power consumption, reliable performance and low cost. Assumes a basic understanding of op-amp theory.

VIDEO TAPE RECORDERS

21521P \$17.50
In this completely revised second edition, the author tells in simple language how helical VTRs work and how to operate and service them. Includes numerous examples of circuits and mechanical systems.

continued on page 133

Speed controller for appliances powered by a 'universal' electric motor

Electric drills, saws, grinders, food blenders etc, all benefit from having some sort of control over their speed. Simple electric motor speed controllers, while providing speed control, have limited ability to maintain motor speed constant over widely varying loads. This project overcomes the limitations of these simple units and, despite its simplicity and low cost, is remarkably effective.

Jonathan Scott

JUDGING BY users' remarks on the shortcomings of speed controllers on a variety of electrically driven appliances, and from much personal experience and observation, there is a *considerable need* for a well-designed speed controller for use with electric drills, grinders, saws, food blenders and other appliances driven by 'universal' electric motors.

The more expensive power drills now come with a variable control built into the trigger. Food blenders come *festooned* with an array of buttons marked with a ludicrous range of words with every synonym from 'mix' to 'masticate' represented!

These gadgets all have a severe limitation, namely, that they really only have voltage controllers, not speed controllers, for the motor in the unit. They vary the speed but provide little or no feedback speed control.

In the case of the power drill with a speed control in the trigger, the operator is in a position to adjust the trigger continuously in response to variations in the speed of the shaft, thus effectively becoming part of a feedback loop and serving as the speed *regulating* element.

The variable speed function of these latest drills is really not designed to allow the slow steady pace needed for delicate or laborious jobs, but to allow the unit to act as an electric screwdriver, when fitted with the appropriate bit, where constant speed is not necessary.

Blenders, however, are items which you typically want to turn on and add more and more ingredients (adding more load) as the process progresses. What happens? The jolly blender slows down as the load increases and it's a real bother to have to keep adjusting it. If you're not careful, or in too much of a hurry, you can stall the motor quite easily.



Older electric drills and most high rpm grinders never had any sort of variable speed adjustment, electrical or mechanical. Grinders fitted with a special 'pad' wheel are

used for buffing, too. But you have to be quite deft, otherwise it's easy to buff right through the undercoat of a painted object because of the ferocity of the thing.

Project 1515

If you need to drill a particularly tough substance with an older drill, then you have to be prepared to wear out the fine, sharp drill tip very quickly.

So, there is a distinct requirement for some device which can be placed between the appliance plug and the mains that can be used to not only *set* the motor speed, but to *regulate* it as well.

The perils of simplicity

There seems to be fundamentally three degrees of complexity in the way one can design these circuits, each with advantages and disadvantages. All techniques employ some method of sensing the motor back-emf and adjusting the power delivered to keep the back-emf relatively constant.

For the sake of attaching 'handles' to each fundamental technique, I shall dub them — the *crude/economical* method, the *refined/economical* method and the *complex/ultimate* method.

For this project I have chosen the middle course for reasons which will become apparent shortly.

The crude/economical method is the simplest and for that reason has an extraordinary advantage in that it has a low parts count. This sort of circuit requires a diode or two, a pot, a couple of resistors or thereabouts and little else apart from the SCR switching element (see Figure 1). Now, it is hard to beat this sort of economy, but such circuits have a few annoying limitations.

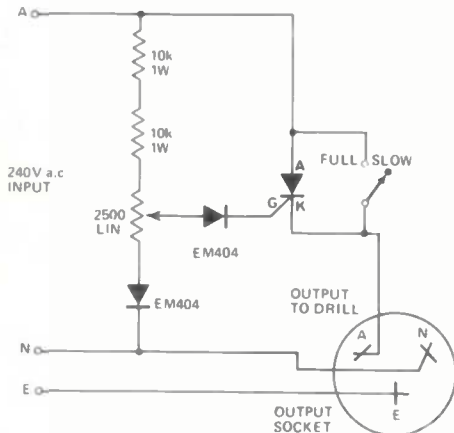


Figure 1. An example of the 'crude/economical' type of motor speed controller. This is the circuit of the ETI-525 Drill Speed Controller (Oct. '74).

Firstly, they will not usually drive anything but the most sensitive SCRs because they deliver very low gate currents. Secondly, some component values can be critical, resulting in touchy or erratic response if tolerances are a bit out or the unit is driving an unusual motor. Lastly, the lack of an amplifying element in the feedback means that the speed regulation, while being above normal for a universal motor, is nowhere near perfect and the speed does drop under load.

To separate the two further types of controller requires a reasonable familiarity with what goes on when controlling a universal electric motor, so I will discuss the technique I have used in this project now and then go on to the explanation of further refinement.

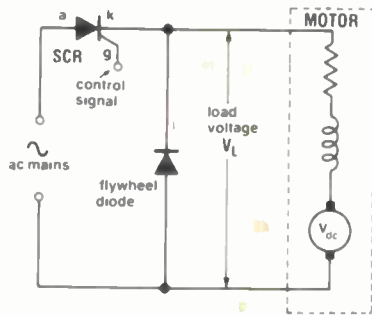


Figure 2. Fundamental circuit elements of the controller used in this project. Note that 'V_{dc}' is the back-emf of the motor.

Controller technique

A universal electric motor appears as a resistance, an inductance and a voltage source in series. The elements of the phase control system I have used — an SCR and a 'flywheel diode' — are connected as shown in Figure 2.

The voltage across the motor terminals during operation of this circuit will appear something like that shown in Figure 3. (Note that the vertical axis is not to scale.)

Considering the cycle from the peak onwards, let us examine the reason behind the appearance of each part of the waveform.

Say that, at some speed setting, the SCR is fired on conduction at about the 100° point of each positive half cycle. The load voltage jumps to a value very nearly equal to the mains voltage at that point (less the small drop across the SCR) and follows the mains cycle variation until the end of that half cycle (i.e. at the 180° point).

Thus, the point between 0° and 180°, of the positive half cycle, where the SCR fires, defines how much voltage is delivered to the load (the motor). Varying the delay before firing provides a means of varying the power delivered to the motor. This is known as phase control, for clearly obvious reasons.

At the point where the mains voltage falls below the back-emf voltage of the motor you would expect the current through the motor to become zero and the SCR to turn off. But, this is not quite the case as the load is not purely resistive. The inductive component of the motor forces its terminal voltage

negative in an attempt to maintain motor current, and indeed, the load voltage would follow the mains negative for some way if it were not for the diode connected across the motor terminals.

This diode conducts as the motor voltage goes beyond about 0.7 volts negative and carries the 'flywheel' current from the motor's inductance, generated by the collapsing magnetic field, allowing the SCR to isolate.

The flywheel current persists until the energy stored in the motor's windings is exhausted. This takes typically two to five milliseconds.

Were the diode not there, a large negative-going pulse would result. This, in itself, is not a bad thing, but it is easy to block this and reduce the net dissipation in the SCR, allowing it to control a larger device for the same ratings and prevents the need to make the controller circuitry more complex to resist the negative-going voltage.

At any rate, some way into the negative supply half cycle, the inductance ceases to be the dominating voltage source within the motor and the back-emf becomes evident.

As you may see from the diagram, the motor voltage rises to a level defined by the apparent dc source within the motor equivalent circuit. (The 'back-emf generator'). This voltage is a result of residual magnetism in the metal of the armature and field coils and the relative motion of these two elements.

The actual back-emf developed depends on a number of factors, a major one being speed so it is a good representation of the motor's instantaneous speed.

There is some noise evident on the back-emf voltage, it is not a smooth dc level. This noise is partly due to commutation hash (high frequency spikes) and partly due to different amounts of residual magnetism in different armature segments etc. However, the noise is not sufficient to obscure the speed signal, or back-emf.

In a typical universal electric motor the back-emf would average around 10 volts at full rpm. The control circuitry in the ETI-1515 looks at this dc signal and varies the point at which the SCR fires, increasing the delay if the motor attempts to speed up under decreasing load, or decreasing

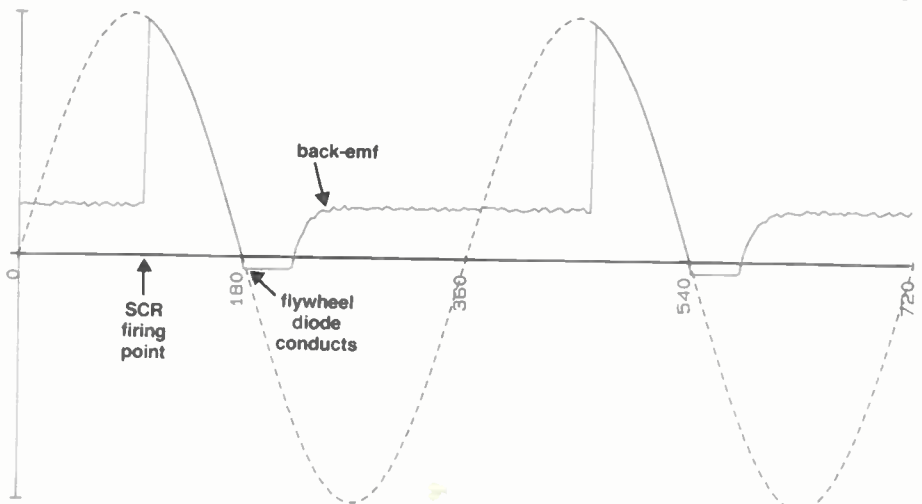


Figure 3. Waveform of the voltage across the motor when using the ETI-1515 speed controller. (Vertical axis not to scale.) The dashed line shows the mains input waveform.

HOW IT WORKS — ETI-1515

The speed of an appliance's motor attached to the project is controlled by applying the mains voltage to it at a set point of the mains positive half cycles, as seen in Figure 3. This is done by turning an SCR on at the appropriate point in the cycle. Turning on the SCR earlier in the cycle applies more voltage, increasing the speed, while turning the SCR on later applies less voltage, decreasing the speed.

The SCR (SCR1) is 'fired' by applying a positive pulse to its gate. This is effected by IC1, an optically-coupled triac driver containing a LED coupled to pins 1 and 2 and a bidirectional optically-operated 'switch' coupled to pins 4 and 6. When the LED in IC1 is off, the switch is off. When the LED is turned on, the switch conducts. If pin 4 is positive with respect to pin 6, it will forward-conduct from pin 4 to pin 6 and vice-versa if pin 6 is positive with respect to pin 4. So that only positive-going pulses are applied to the gate of SCR1, D3 ensures that the switch in IC1 can only conduct during mains positive half cycles.

Resistor R6 simply limits the current through IC1 pins 4 and 6 while R10 prevents false triggering of SCR1 due to small leakage currents.

The control electronics consists of Q1, Q2, PUT1, IC1, RV1 and associated components. The 'flywheel' diode is D6. Power supply for the control electronics is derived by a half-wave rectifier from the mains input. This consists of D2, R2 and C1. This supply is regulated by ZD1, a 33 V zener, R2 providing current limiting. C1 is charged up during the mains positive half cycles and substantially holds its charge during the negative half cycles.

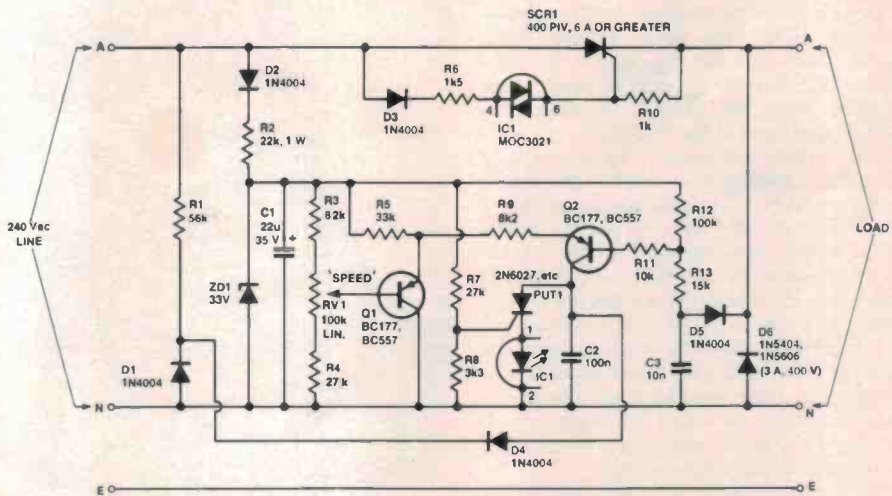
The SPEED control, RV1 is part of a potential divider — R3/RV1/R4. The wiper of RV1 sets a reference level on the emitter of Q1. This can be anywhere between about 4 V and 15 V (with respect to the neutral line), depending on the setting of RV1.

Now, let us see what happens from the point where the mains positive half cycle crosses through the zero point, going negative, at 180° assuming SCR1 has been fired during the preceding half cycle.

Referring to Figure 3, as the mains crosses through zero, going negative, D6 (the flywheel diode) will conduct, holding the active (A) load terminal at about -0.6 V. The SCR then becomes reverse biased and ceases conducting.

Capacitor C3 will have been charged to a certain voltage (via R12/R13) but will now be discharged via D5. Any charge on capacitor C2 will be discharged via D4/D1/R1.

Diode D6 remains conducting until the inductive backlash of the motor (as explained



in the text) dissipates. The voltage at the load active terminal (with respect to the neutral line) then rises to the back-emf level. D5 is now reverse biased, allowing C3 to charge again via R12/R13 until it reaches the level of the back-emf + 0.6 V (D5's forward conduction voltage). Small positive-going 'spikes' on the back-emf level are ignored (momentarily reverse biasing D5) due to the time constant of R12/R13 and C3. This prevents erratic control circuit operation due to this noise. Nevertheless, small fluctuations are still present in the negative peak level held by C3.

Transistor Q2 is forward biased by the voltage drop across R12. The collector of Q2 sources charging current to C2, but this is held discharged via D4/D1/R1 until the mains negative half cycle crosses the zero point and the next positive half cycle begins. When it does, and D1/D4 are reverse biased, C2 will commence charging at a rate determined by the collector current of Q2.

The programmable unijunction transistor (PUT1) has its gate held at about 4 V (with respect to the neutral line) by the potential divider of R7-R8. When C2 charges to 0.6 V above this level, the PUT will 'fire', delivering a current pulse to the LED in IC1. This will operate the switch in IC1 and SCR1 will fire.

The rate at which C2 charges determines at what point in the cycle the PUT, and thus the SCR, will be fired. There are two mechanisms for determining the rate at which C2 charges, and thus the point in the cycle at which SCR1 is fired.

Firstly, a reference level is set at the emitter of Q1 by the setting of RV1, the speed control. The collector-emitter current of Q2 will depend on the value of the voltage at this point and the value of R9, assuming the base voltage is held constant. Thus, varying RV1 varies the charging rate of C2, setting the point at which SCR1 fires.

Secondly, the base current of Q2 varies (and thus the collector current) depending on the voltage drop across R12. If the back-emf of the appliance motor falls, such as with an increase in motor loading, the voltage held on C3 will decrease (pulled down by D5 conducting current through the load) until it reaches the new value of the back-emf plus 0.6 V (D5 forward drop). This will increase the voltage drop across R12 and thus increase the base and collector current of Q2. Thus, C2 will charge more rapidly each mains positive half cycle, firing the PUT and SCR1 earlier in the cycle. This applies more power to the motor so that its speed is maintained.

If the back-emf rises, such as it would from a decrease in motor loading, the voltage on C3 will rise and the voltage drop across R12 will decrease, decreasing the collector current of Q2. Thus, C2 in this case will charge more slowly, causing the SCR to fire later in the cycle. This will reduce power to the motor so that the set speed is maintained.

The function of R11 is simply to limit the currents in Q2 during those parts of the cycle when Q2 is not responding to the back-emf signal.

The perils of complexity

It turns out that, in the case of most motors, a very satisfactory degree of speed regulation can be achieved with only a hint of hunting high detectable at very low speeds. This is most fortunate as it means that one does not require to advance to the next step of complexity, namely using the third technique mentioned earlier — the complex/ultimate circuitry with its own compensating system incorporated to guarantee the stability of the system under all conditions, despite large loop gain.

The reason that this type of circuitry is to be avoided, for the applications considered in the introduction to this article, is that it would require a great deal more electronics (and cost!). This would basically entail ▶

the delay if the motor attempts to slow down under increasing load.

In other words, if the motor is slowed by a heavy load the back-emf will drop and the control circuit will fire the SCR earlier in the cycle than where it was originally set to fire. This applies the mains voltage to the motor for a longer period, bringing the motor speed back up again. If the motor speeds up when load is reduced, the opposite happens.

Thus, the motor speed will be held constant. It sounds as if the motor will slow down then speed up, or vice versa, but the control variation actually happens within one mains cycle or so and any variation in motor speed will not be apparent.

Readers familiar with control theory will notice that this mechanism forms a control feedback loop. Within the control electronics

of this project I have included some amplification which enables the unit, firstly, to drive even quite insensitive SCRs, secondly, to reduce the speed error to a relatively small value and, thirdly, to have a relatively high impedance presented to the reference level (speed) control which is a voltage produced by a potentiometer. This overcomes the limitations of the cruder controllers.

However, the controlled element is a mechanical system with a lot of inertia which represents a significant pole in the transfer function. Hence, it can be anticipated that there will be a trade-off: increasing the amplifier's effective gain will improve regulation all right, but if it is increased too far the system will become unstable and the engine speed will 'hunt', or oscillate about a mean value at a low frequency.

Project 1515

a mechanism capable of smoothly holding the back-emf signal so it could be further processed, which means some kind of sample-and-hold gate plus some synchronising signal. Once isolated, the signal is easily dealt with, but the process is much more complex than the simple instantaneous method employed in the ETI-1515.

One further refinement in a complex/ultimate controller may occur to the astute reader: namely, having the circuit capable of using the full 360° (or very nearly) of the mains supply cycle. The systems described so far all assume that an SCR will be used to control the current delivered and not a triac. Hence, at most, only 180° of the mains cycle is available as the SCR must remain in a blocking state during the negative half cycle. Although a triac would permit use of the negative cycles, as would full-wave rectifying the mains before applying it to the SCR, these methods have one problem.

The sensing of speed, so that the speed may be regulated, requires access to the back-emf voltage, blanked immediately after a current zero. Hence, any attempt to employ near-continuous power application would be hampered by the inductive 'backlash' concealing the motor's true back-emf value. Any such system would have to be capable of operating in a mode which left only every fourth or sixth half cycle unemployed for the purpose of 'getting at' the back-emf for speed sensing.

While possible, this would not only require considerable circuitry, but would also tend to impart some roughness to the torque delivered. Hence, such methods are well abandoned for the applications for which the ETI-1515 has been designed. It is a realm of circuit complexity which returns benefits only with physically large machines.

Back to the project

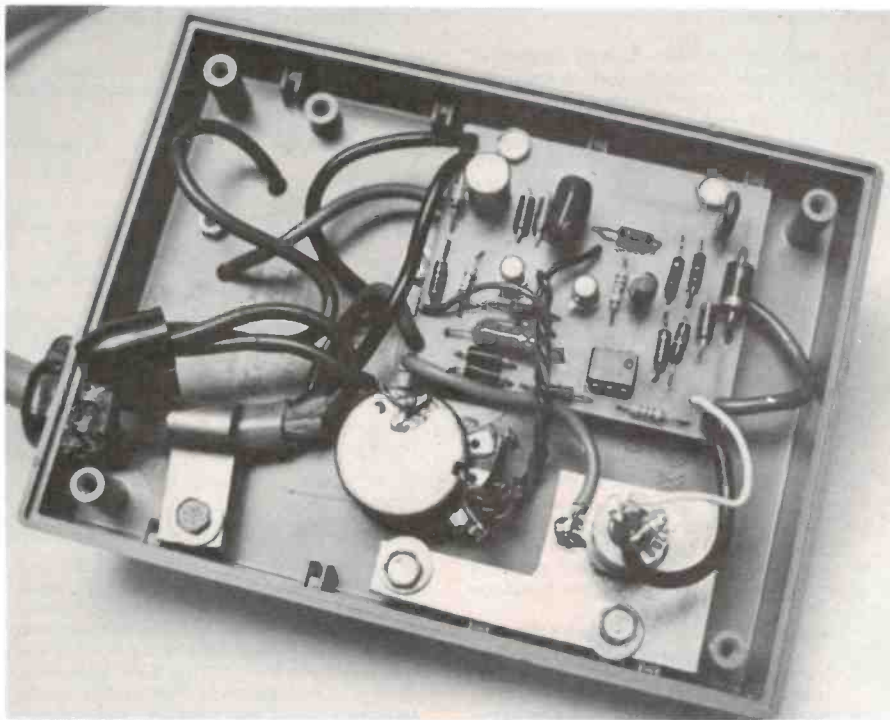
The ETI-1515 has been designed to be a good compromise between the crude/economical and complex/ultimate controller. Speed can be set from full rpm on no load (at 'half power') down to less than one-tenth normal. This is lower than you're ever likely to need. On low speeds and without any load there is a tendency for motors to 'hunt' about the set speed, power being applied in detectable jerks. But, even when only a light load is applied, this has the effect of damping the control loop, improving the control and smoothing out the variations.

The torque characteristics of the circuit are excellent, until you approach the 180° limit of the cycle — which is, in any case way beyond what you will need in common situations.

A good 'worst case' example is that of making houmous, a particularly thick and pasty (tasty, too!) dip, in a blender. Initially, the mixture is oily, but as the blending proceeds it changes to a very glutinous consistency and blenders invariably begin to labour agonisingly at this point. With the ETI-1515 in control — no problems!

Construction

Safety is a major consideration in a project such as this. Choosing a box in which to house the components has to be done carefully



Inside. Construction is quite straightforward — but take heed of the safety precautions mentioned in the text! Note that, in use, there may be a slight 'dead band' at either end of the speed control rotation where nothing happens.

because the project will be used in a work environment and is likely to encounter more than the usual amount of rough treatment.

I chose a strong, but not brittle, plastic case which comes in two halves, secured by recessed self-tapping screws that set into plastic pillars in the bottom half of the case. The particular case used on the prototype was a 'Unibox', model P/N 140 which measures 135 mm long by 100 mm wide by 38 mm deep.

Shape is unimportant, along with size, just so long as all the components can be fitted with ease and the box is not cumbersome large. If you choose a box with a metal face or panel, make sure this is *securely* earthed. If you can, get a box which provides internal posts to which the pc board and SCR mount can be secured with self-tapping screws so that no metal parts attached to these can protrude through the exterior of the case. If you must use a case that doesn't meet this requirement, secure 'the workings' with nylon nuts and bolts. All this is for your own protection.

The potentiometer used was of the conventional type, having a metal case, bushing and shaft. I earthed the pot. case, as shown in the wiring and overlay diagram. If possible, it would be an even better idea to obtain a pot. with a plastic bushing and shaft.

The mains cable *must* be firmly secured with either a clamp-type grommet where it enters the case, or with an ordinary grommet followed by a cable clamp. I used both a clamp-type grommet and a cable clamp, for good measure. (That's probably overdoing it, but, please yourself — Ed.)

Best place to start assembling the project is by drilling the few necessary holes in the box. If you are making a direct copy of the prototype, then positioning of the major

components is clear from the internal photograph. If you're using a different box then arrange the major components first and determine where you have to drill holes. Don't crowd the parts against one another. Use the blank pc board as a template for marking its mounting hole positions.

If you're using an SCR type that is not in a stud-mount package, then you'll have to arrange a suitable mount for it. I used a C220D type in a stud-mount, screwing it to a small piece of aluminium which also serves as a heatsink of sorts. SCR dissipation is small, so this heatsink/mount need only be small.

Just bolt the SCR to the heatsink, without any insulator, and use some thermal compound to improve thermal contact between the body of the device and the heatsink. **REMEMBER** — the heatsink will be at MAINS POTENTIAL, so make sure when mounting it that no securing bolts protrude through the case or use nylon nuts and bolts.

I mounted the SCR separately to the pc board so that a wide range of SCR types and packages could be readily accommodated, from the stud-mount C220D I used in the prototype to small, 6 A-rated, flange-mount plastic pack devices.

It is difficult to specify a 'load rating' for the project in terms of the SCR's characteristics because of motor surge current characteristics and the range of motor ratings in appliances. A 6 A-rated SCR will happily handle an appliance rated to draw a nominal 2 A under 'normal' load. The C220D used in the prototype will reliably handle an appliance rated at four to five amps, right up to full revs setting under almost-stalled-rotor conditions.

Before attaching the 3-pin panel-mount mains outlet socket to the outside of the case,

PARTS LIST — ETI-1515

Resistors

all 1/2W, 5% unless noted
R1 56k
R2 22k, 1 W
R3 82k
R4 27k
R5 33k
R6 1k5
R7 27k
R8 3k3
R9 8k2
R10 1k
R11 10k
R12 100k
R13 15k
RV1 100k/A linear pot.

Capacitors

C1 22u/35 V RB electro.
C2 100n greencap
C3 10n greencap

Semiconductors

D1-D5 1N4004, EM410 etc.
D6 1N5404, 1N5606 etc.
IC1 MOC3021 triac opto-isolator
PUT1 2N6027, D13T1 etc
Q1, Q2 BC177, BC557
SCR1 any type, 400 PIV/6A or greater

Miscellaneous

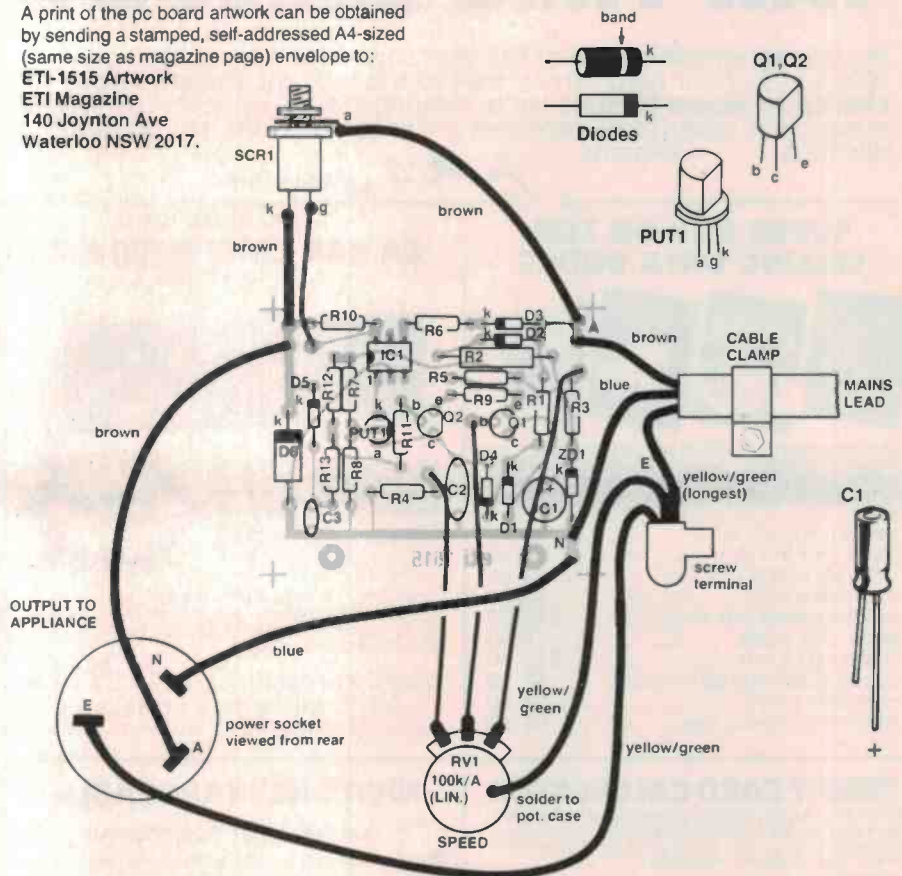
ETI-1515 pc board; case — Unibox P/N 140 (135 x 100 x 38 mm) or similar size to suit; 3-pin panel-mount mains socket; mains cable and plug; small scrap of aluminium, self-tapping screws; screw terminal block; etc.

Price estimate
\$20 — \$24

PRINTED CIRCUIT ARTWORK

A print of the pc board artwork can be obtained by sending a stamped, self-addressed A4-sized (same size as magazine page) envelope to:

ETI-1515 Artwork
ETI Magazine
140 Joynton Ave
Waterloo NSW 2017.



Overlay and wiring diagram. Follow this to assemble the pc board and wiring up of the external components.

attach colour-coded wires to its terminals and thread these through the holes drilled for them in the case. Take care that you get the active (A), neutral (N) and earth (E) wires correct. Use wire from a short length of stripped-down mains flex.

When attaching the mains cable, cut back the sheath so as to expose some 150 mm of the three wires to provide connections later. Make sure the cable is very firmly secured.

Mount the potentiometer using nuts on both sides of the case panel and lock the bushing tight so that there's no possibility of the pot. body coming loose and being rotated when the knob is turned.

Assemble the pc board next, according to the overlay diagram. You'll find it easier to solder the diodes in place first, followed by the resistors, capacitors and the rest of the semiconductors. As usual, watch the orientation of all the semiconductors and the electrolytic capacitor (C1).

Having done that, check it. Make an especially careful examination of the soldering as diagnosis of problems will be dangerous and/or difficult later because the board operates 'live'. In other words, if you are going to make only one project work first time this year, make it this one.

Attach the three wires that go to the potentiometer. Better colour-code or mark these in some way to avoid confusion and wiring errors. Make sure they're long enough. Ordinary hookup wire will do for these. An

ordinary piece of hookup wire can also be used for the lead to the SCR gate. The leads to the SCR anode and cathode carry mains potential and load current and should be wired using mains-rated wire. Get it from some stripped-down mains flex, like before.

Now wire up the mains input cable and the mains outlet socket to the pc board, then check it.

Note that the earth wire on the mains input cable should be longer than the active and neutral wires. Should the mains cable come adrift, the earth wire would then be the last to break.

The try out

When you're satisfied the project is correctly together it's time for a try-out. Just plug in your drill, blender or whatever into the outlet socket, set the speed pot. a bit up from minimum, plug the controller into the mains and switch on. See that the appliance's motor rotates at some low speed. Advance the speed control and see that the motor speed increases, as expected. If nothing's happening at this stage, switch off, unplug everything and go over your wiring (this assumes you know the appliance works).

If that works, then try applying a load with the motor set at some convenient speed and see that the controller maintains the motor speed. If not, you've got troubles on the pc board and you'd better unplug everything and go over it.

If you are using the unit with an unusual motor, where the inertia of the armature may be greatly different to that expected by this circuit, you can vary the gain of the feedback amplifier by simply changing the value of R9. This can be varied between a minimum of about 150 ohms and a maximum of 22k.

Thus, if the motor hunts excessively (especially at low speed settings), R9 may be increased from the 8k2 value shown, reducing feedback loop gain and restoring stability at a small price in speed constancy. If the reverse is the case, you can acquire tighter regulation by reducing R9 — but check that hunting is kept to a minimum.

Finally, several words of caution are in order. The power bursts which are applied to the motor by the SCR switching and the control system variations with the motor armature running at low speed, applies a lot of stress to the motor's brushes and armature windings, so the controller should not be used in applications where it's not really necessary. Wear from the controller's use is unlikely to significantly shorten the life of an appliance, but it is never good practice to strain a mechanical device unnecessarily.

In addition, many appliance motors, particularly drills, employ a small cooling fan on the armature. The cooling effect of the fan is reduced and extended periods of operation at low speeds should thus be avoided.

TAX TIME SELLOUT

Yes it's that dreaded time of the year where we have to shell out 1000's of \$ of our hard earned cash to the taxman! **So here's your chance to save a fortune** we're clearing \$50,000 of these top selling products at never to be repeated prices to overcome our present dilemma — Regards,

Jack O'Donnell



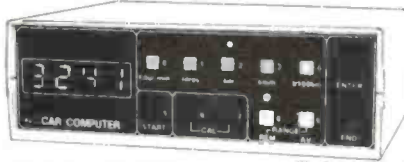
SUPER BUY ON TOP SELLING DATA BOOKS



Motorola microprocessors are fast becoming the industry standard. Every enthusiast should be aware of the basic design features and capabilities of the powerful Motorola range. Now at affordable prices.

MEMORY DATA B 1113.....	\$6.00
LINEAR DATA B 1114.....	\$6.50
INTERFACE DATA B 1115.....	\$9.00
OPTO DATA B 1118.....	\$6.00
MICROPROCESSOR DATA B 1120.....	\$12.00
MECAL DATA B 1100.....	\$6.50
POWER DATA B 1101.....	\$10.00
MASTER SELECTION GUIDE B 1104.....	\$3.50
CMOS DATA B 1105.....	\$7.50
SCHOTTKY TTL DATA B 1109.....	\$6.50

BARGAIN OF '83 EA CAR COMPUTER KITS EA AUGUST 1982



Car computers are becoming a standard feature in many modern cars. EA Kit Features digital readout of fuel consumption, speed, fuel level, range before fuel runs out, ETA of destination and many more.

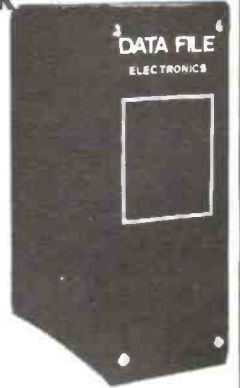
\$129.00
SAVE \$50.00

COMPLETE KIT INCLUDES: Plated through PCB, programmed EPROM, genuine Moray fuel flow sensor, tallshaft speed sensor, quality Pactec case, genuine Motorola CPU.

ORDER AS K 9999..... **\$129**
LIMITED QUANTITY — SO BE QUICK
Bankcard holders phone now to reserve yours.

VINYL BINDER

Holds 12 magazines, each on a spring out wire rod. Just the shot for each year's set of Electronics Australia, ETI or any of your favourite magazine.



Suits all A4 size publications (275 x 210). Very smart Royal Blue colour with beautiful gold embossing.

B 9999... **\$5.00**

CREDIT CARD CALCULATOR

Extra thin, quality altronics import. Ideal for student, business man and overseas traveller for those currency conversions etc — and at our price who needs "Duty Free?" Slips neatly into the wallet.

- Exclusive:
 * Metric/Imperial Conversion Table.
 * Nifty wallet included.

Now only.....
\$12.50



NICAD RECHARGEABLE



AA PENLIGHT 1.2V 500MAH

Manufactured by the makers of famous "National" brand Electronic products. Charge at 45-50 MA (14-16 hours). Will outlast well over 1000 recharge cycles with average use.

S 5020..... Now **\$1.70 ea**

TECHNICIAN'S UTILITY PARTS CASE



H 0449
 NOW
\$5 ea

Lightweight and durable this Parts Case is a **MUST!**

Featuring:— Clear lid (tell contents at a glance); Positive action snap lock; 30 partition combinations.

EVERY HOBBYIST SHOULD HAVE A **COUPLE!**



MINI SPEAKER 57mm

Large Ferrite Magnet. Ideal replacement speaker. Great for hobby projects.

C 0610... ~~\$1.95~~
 Now **\$1.00 ea**

MIC INSERT ELECTRET



Great little replacement for tape recorders, etc. Handy for hobby projects. Includes data sheet and application circuit. 50 Hz - 15 KHz

C 0170..... Now **\$1.50 ea**

CEILING SPEAKER GRILL



Suits 200 mm (8 in.) speaker. Ideal for PA/Background music systems, extension speakers etc. Colour: White.

C 0800..... ~~\$2.75~~
 Now incredible **\$1.50 ea**



VELOSTAT

Non-static sheeting for storing CMOS IC's, LSI's etc. 1000 times better than aluminium foil. Will store up to 150 IC's on one 225 x 150mm sheet.

H 0500..... **\$2.50 per sheet**

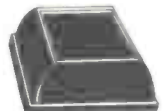
DIL SWITCHES

GOLD PLATE SELF WIPING CONTACTS



EA
 S 3050 4 Way **\$1.25**
 S 3060 8 Way **\$1.75**

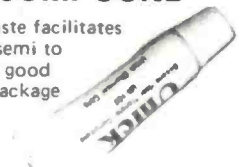
STICK ON RUBBER FEET



H 0940 12mm Stickon 4.....	.75
H 0942 12mm Stickon 100.....	\$8.50
H 0950 20mm Stickon 4.....	.80
H 0952 20mm Stickon 100....	\$10.00

HEATSINK COMPOUND

Heat conducting paste facilitates heat transfer from semi to Heatsink. One tube good for up to 30 TO3 package semiconductors.



H 1600...7.5g Pack.....	\$1.20
New trade pack	
H 1610...150g Pack.....	\$7.50
SAVE UP TO 33%	

PRICE SLAUGHTER ON GENUINE HITACHI MOSFETS (PRIME SPEC.)

Z 1510 2SK 134

Z 1512 2SJ 49

\$5.90 each — \$5.50 10 up



ALTRONICS ... ALTRONICS ... ALTRONICS ... ALTRONICS ...

ALTRONICS ... ALTRONICS ... ALTRONICS ... ALTRONICS ...

How to use digital voltmeter modules

Part 1

The popular DPM-05 digital voltmeter module with 3½-digit liquid crystal display is a very convenient 'workhorse' for a myriad of applications. This two-part feature tells you how to put it to use. The ETI-161 Digital Panel Meter is very similar and can be used in many of the circuits given.

Ray Marston

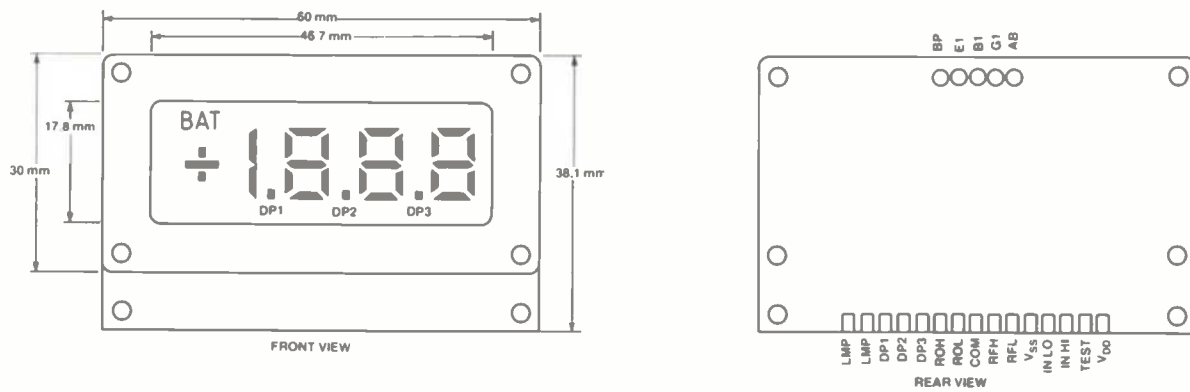


Figure 1. Physical details (left) and terminal notations (right) of the DPM-05 module.

MODERN DIGITAL VOLTMETER (DVM) modules can be used to replace moving coil meters in virtually all important 'analogue' measuring applications. Most of these modules combine an Intersil ICL7026, 7126 or 7136 analogue-to-digital (A-D) converter chip and a 3½-digit liquid crystal display plus a band-gap voltage reference and a few other components, into a compact module that consumes less than 1 mA from a 9 V supply and costs little more than a good quality moving coil meter.

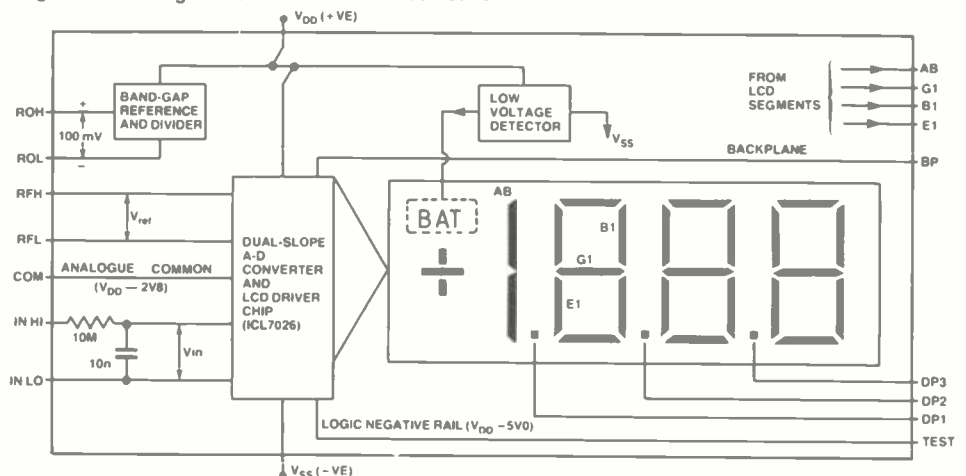
Usually, these modules have a basic full-scale measurement sensitivity of ± 199.9 mV, with 100 μ V (2000-count) resolution and a typical calibrated accuracy of 0.1% ± 1 digit, but can be used to read any desired current or voltage range by connecting suitable shunts or potential dividers to the input terminals. When connected to suitable external circuitry, the modules can be made to indicate ac voltage or current, resistance, capacitance, frequency, temperature, or any other parameter than can be converted into a linear analogue voltage or resistance. I'll show you how later in this two-part feature.

Several companies manufacture 3½-digit LCD DVM modules. Generally, these modules differ only in details of their internal circuitry and displays and in the number and notations of their user-available terminals. The DPM-05 module manufactured by Printed Circuits International Ltd, imported and distributed here by Jaycar, is probably

CHARACTERISTIC	DATA (at 25 C)
Display	3½ digit LCD
Full scale sensitivity	± 199.9 mV
Power supply voltage	9 Vdc nominal (range 7 to 10 V)
Supply current	1 mA typ, 2 mA max
Initial calibration accuracy	better than $\pm 0.15\%$ of reading $\cdot 1$ count
Zero-input reading	± 000.0 typ
Display resolution	1 count = 100 μ V
Input leakage current (at $V_{in} = 0$)	1 pA typ, 10 pA max
Operating temperature	0 C to -50 C
Clock frequency	40 kHz typ
Sample rate	2.5 readings/s
'Low battery' indication voltage	7.2 V typical

Table 1. Main parameters and features of the DPM-05 module.

Figure 2. Block diagram 'user view' of the DPM-05 module.



the best known and most widely available model, and is very typical of the genre, so we'll refer to this specific device throughout the rest of this article. Figure 1 shows the physical details and terminal notations of the DPM-05 and Table 1 lists its main parameters and features.

The ETI-161 Digital Panel Meter module is very similar. This was published in the August 1982 issue and kits are widely available. The accompanying panel shows the circuit and a rear view of the pc board with equivalent connections to those of the DPM-05 annotated. Note that the ETI-161 does not include the band-gap reference. Lab Notes in the November 1980 issue gives circuit details of a band-gap reference that could be adapted to the circuits in this feature, if necessary.

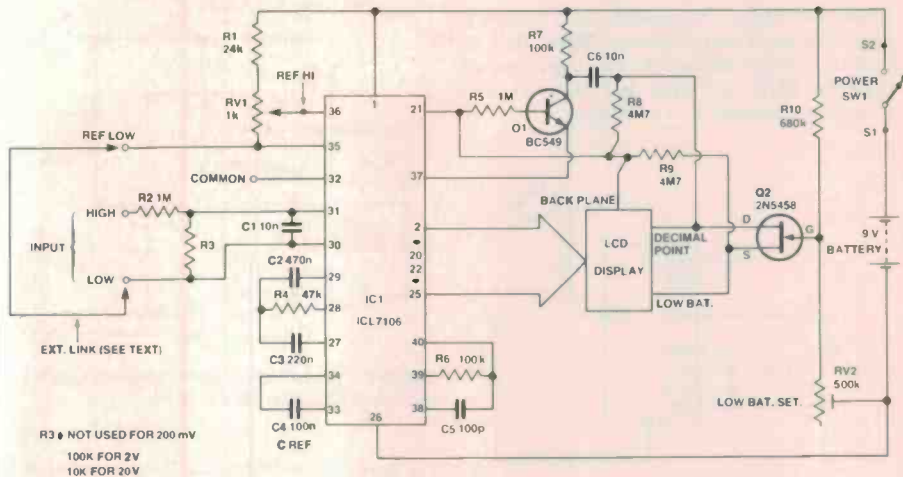
DPM-05 basics

Figure 2 shows the block diagram 'user view' of the DPM-05, which is normally powered from a 9 V battery connected between the V_{DD} and V_{SS} terminals. The heart of this particular unit is an ICL7026 chip which is a complete dual-slope analogue-to-digital converter and LCD driver. In essence, this chip automatically compares the relative values (ratios) of V_{ref} and V_{in} and produces an LCD display of $1000 \times V_{in}/V_{ref}$, updating the display about $2\frac{1}{2}$ times per second.

Thus, if V_{ref} is 100 mV and decimal point DP3 is activated, the display reads 10.0 with an input of 10.0 mV, or 199.9 with an input of 199.9 mV. The module automatically displays the polarity of the input signal, gives automatic zero adjustment, and gives over-range indication by blanking the three least significant digits of the display. The three decimal points of the LCD are externally available at the DP1 to DP3 terminals, and can be turned on by pulling the appropriate terminal to V_{DD} . The module also houses a 'low battery' detector, which turns on an 'annunciator' in the display when the battery voltage falls below 7.2 volts.

It is important to note that the DVM module actually displays the relative ratios of the input and reference voltages. To give maximum versatility, each of the voltages is applied to the module via a pair of terminals (RFH and RFL for the reference, IN HI and IN LO for the input), and the integrator chip responds to the differential values of these inputs. In use, these terminals must be tied (either directly or indirectly) to within 500 mV of the COM terminal. When correctly used, the terminals have typical input impedances of about 5000 megohms, and pass typical leakage currents of only a few picoamps. The IN HI terminal incorporates an integrating ripple-reduction filter.

The module has two built-in reference-voltage sources. The voltage between the COM and V_{DD} terminals is zener-regulated at 2V8 and has a typical temperature coefficient of 80 ppm/ $^{\circ}$ C, so any reference voltage below this value can be obtained by wiring a simple potential divider between



ETI-161 Panel Meter. Circuit of the ETI-161 panel meter project which can be used in almost all the applications circuits given in this two-part series. Many circuits require direct access to 'REF HI' (RFH), in which case delete R1 and RV1.

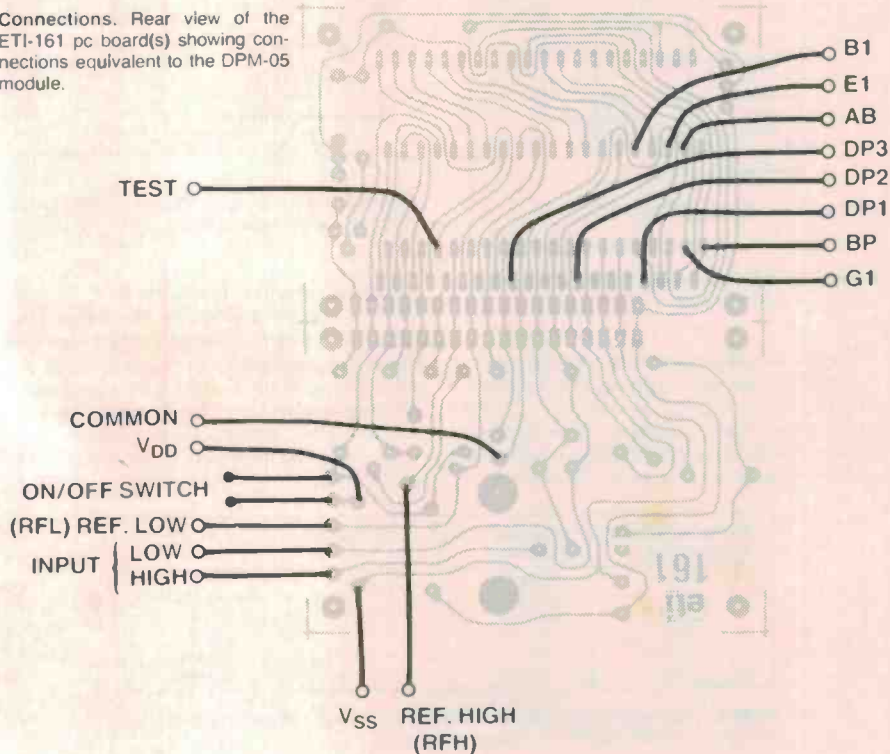
SPECIFICATIONS

Full scale readout	depends on setup.
Resolution	100 μ V
Accuracy	< 1 digit when correctly calibrated
Display	3½-digit LCD
Input Impedance	> 10^{12} ohms
Input bias current	approx. 2 pA
Polarity indication	automatic
Conversion method	dual slope
Reference	internally generated ± 100 ppm
Power supply	9 V @ approx. 1 mA



ETI-161. View of the Panel Meter project published in the August 1982 issue.

Connections. Rear view of the ETI-161 pc board(s) showing connections equivalent to the DPM-05 module.



these terminals. The module also houses a precision band-gap reference. When ROL is tied to COM a stable 100 mV is generated between ROH and ROL and has a typical temperature coefficient of 50 ppm/°C.

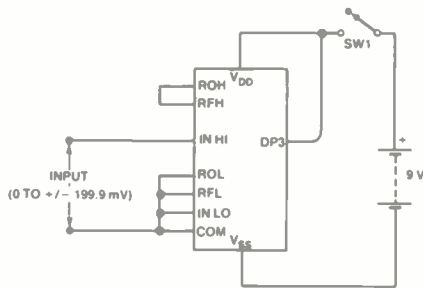


Figure 3. Standard '199.9 mV full-scale' connection of the DVM module.

Basic configurations

Figures 3 to 6 show four different ways of connecting the terminals of a DVM module to give different types of measurement action. Figure 3 shows the standard '199.9 mV full scale' DVM configuration. Here, the COM, IN LO, RFL and ROL terminals are all joined together, ROH is shorted to RFH so that the 100 mV band-gap reference is applied across the reference terminals, and decimal point DP3 is tied to V_{DD} so that the unit gives a reading of '100.0' when 100.0 mV is applied between IN HI and IN LO.

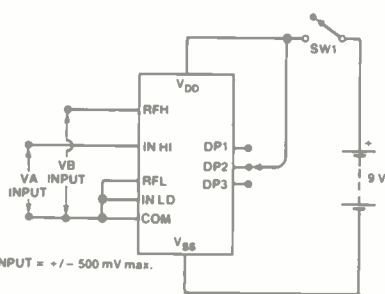


Figure 4. Basic ratiometric voltmeter connection. Display = 1000 x VA/VB.

Figure 4 shows the connections for making the module act as a ratiometric voltmeter which (ideally) gives a reading of '1000' when two input voltages have identical values, irrespective of the actual magnitudes of those values (up to a limit of 500 mV).

PERCENTAGE OF FULL SCALE	NOMINAL READING	TRUE READING ACCURACY	
		A	B
100%	199.9 mV	±0.15%	±0.05%
50%	100.0 mV	±0.2%	±0.1%
25%	50.0 mV	±0.2%	±0.2%
10%	20.0 mV	±0.5%	±0.5%
5%	10.0 mV	±1.0%	±1.0%
1%	2.0 mV	±5.0%	±5.0%

Table 2. True reading accuracies of 3½-digit DVMs with calibrated accuracies of (A) ±0.1% and (B) ±0.01% of reading ±1 count.

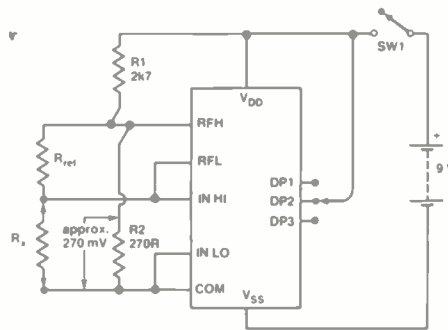


Figure 5. Precision resistance meter using ratiometric technique. Display = 1000 x R_x/R_{ref}.

Figure 5 shows the module connected as a precision ohmmeter. Here, potential divider R1-R2 generates roughly 270 mV between the R1-R2 junction and the COM terminals, and this voltage is used to energise potential divider R_{ref}-R_x. Identical currents flow through these two resistors, and the generated voltage of R_{ref} is applied across the RFH and RFL reference terminals, and the generated voltage of R_x is applied across the IN HI and IN LO input terminals. The display reading thus equals 1000 x R_x/R_{ref}. If R_x has a decade value (1k0, 10k etc), the display gives a direct readout of the R_x value, the reading being independent of the actual value of energising voltage developed across R2.

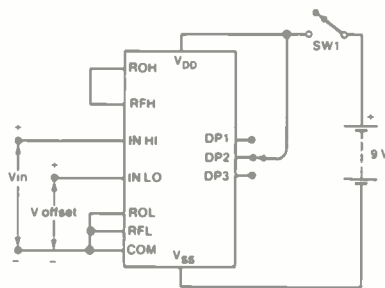


Figure 6. Method of applying zero-offset to the basic 199.9 mV DVM circuit. Display = V_{in} - V_{offset}.

Finally, Figure 6 shows how an offset voltage can be applied to the basic 'DVM' circuit so that the display reads zero when the input voltage is at a value other than zero. This circuit is useful in temperature-reading applications for example, in which a special IC is used to give an output of 1 mV/°K, thus giving an output of 273.2 mV at 0°C and 373.2 mV at 100°C.

By feeding the output of the IC between the COM and IN HI terminals and applying a 273.2 mV offset voltage between COM and IN LO, the module (which reads the differential value of the input) can be made to give a direct reading of temperature in degrees Centigrade.

Some finer points

If you intend to use a DPM-05 or similar module in a project, there are some fine 'usage' points that you will need to know. Let's deal with these points under various sub-headings.

Calibration accuracy. As supplied, a DVM module is pre-calibrated to read 199.9 mV full scale, with a typical accuracy of ±0.1% of reading ±1 count, at 25°C, this calibration being valid *only* when the module is used in the precise configuration shown in Figure 3. It should be noted that the best attainable accuracy of a 3½-digit (2000-count) meter is ±1 digit, and this corresponds to an actual reading accuracy of 0.05% at full scale, to 0.5% at 10% of full scale, and to 5% at 1% of full scale. Table 2 shows the reading accuracies of two meters, having different calibration accuracies, at various percentages of full scale.

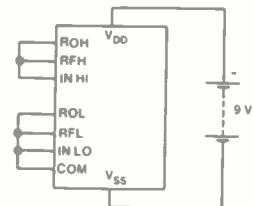


Figure 7. Ratiometric-accuracy test circuit. Ideally, the meter should read '1000'. Typically, the reading may be '998' (= 0.2% low).

Ratiometric accuracy. The DVM is a ratiometric reading unit. If connected as shown in Figure 7, with identical voltages applied to the RFH and IN HI terminals, it should ideally read '1000' ±1 count.

In practice, modules typically give a reading that is about 0.2% below this figure. This discrepancy is caused by the potential divider action of the internal 10M filter resistor and the input impedance on the internal IN HI line.

When the meter is supplied for use in the 'voltmeter' mode, it is calibrated to allow for ratiometric errors.

Reference accuracy. The built-in '100 mV' reference (between ROH and ROL) of the module is factory-calibrated so that the meter reads '100.0 mV' with 100.0 mV input applied. The precise value of the reference voltage depends on the ratiometric accuracy of the meter. Thus, if the ratiometric accuracy is 0.2% low (reading 998), the reference is also set 0.2% low (at 998 mV) to give the correct 'voltmeter' accuracy.

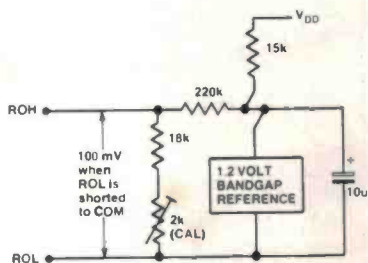


Figure 8. Typical bandgap reference circuit has an output impedance of about 20k.

input impedances and draw leakage currents of only a few picoamps. If the terminals are biased at voltages significantly different from COM, the input leakage currents may rise to several hundred picoamps, invalidating the auto-zero action of the chip. The chip may be damaged if the terminals rise above $V_{DD} - 0.5V$ or below $V_{SS} + 1V$.

'COM' terminal. The COM terminal of the module is connected to the circuit of Figure 9 within the A-D chip, and this circuit enables the COM terminal to be used as either a

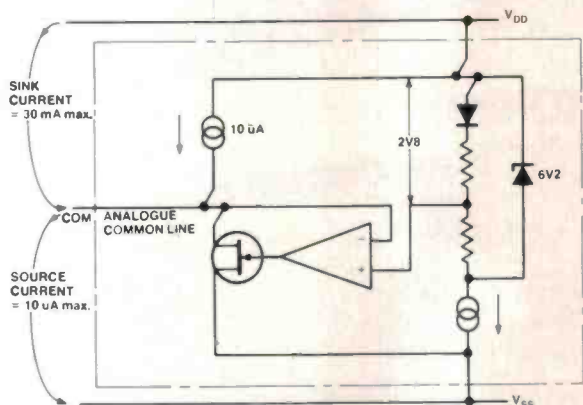


Figure 9. Analogue COMMON line biasing circuit within the A-to-D converter chip.

The COM terminal can source currents up to a maximum value of only 10 uA. Consequently, the common line of the A-D chip can be tied to a value that is more than 2V8 below V_{DD} by simply connecting the COM terminal to an external bias voltage of the required value. In this mode, the basic calibration of the module is invalid, and the RFH and RFL terminals must be driven from an external reference; the INPUT and REFERENCE terminals must be tied within 500 mV of COM (see Figure 12). Note that COM should not be allowed to fall to a value more than 4V7 below V_{DD} .

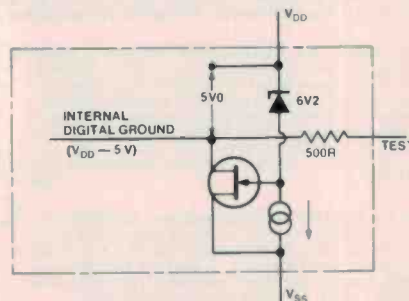


Figure 10. Internal digital ground biasing circuit of the A-to-D converter chip.

The reference output is accurate only when ROL is tied directly to COM (which is normally 2V8 below V_{DD}) and when ROH is loaded by an impedance greater than 50 megohms or so. Figure 8 shows the typical circuit of a band-gap reference. The output impedance of the circuit is about 20k so an external loading of 2M would introduce an error of 1%, and a loading of 20M an error of 0.1%. The high input impedance of the RFH terminal causes negligible loading.

Input connections. The A-D converter chip houses analogue and digital circuitry. All analogue action is internally referenced to the COM (common) line of the chip. Normally, the INPUT and REFERENCE inputs should be tied (directly or indirectly) to within 500 mV of the COM line, and under these conditions the terminals have very high

precision voltage reference, as a current sink for external circuitry, or as an externally-biased analogue-reference point.

When used as a voltage reference, only very low external sink currents (below 100 uA) must be allowed to flow between V_{DD} and COM. Under this condition the basic calibration of the module is valid, and the COM terminal is held about 2V8 below V_{DD} , with a temperature coefficient typically less than 80 ppm/°C.

When used as a current sink, external currents of up to 30 mA can be allowed to flow between V_{DD} and the COM terminal (which has an impedance of about 15 ohms in this mode). In this mode, however, the basic calibration of the module may be invalid, and the RFH and RFL terminals may have to be driven from an external reference.

TEST & BP. The negative or ground rail of the digital circuitry of the A-D chip is internally biased at about 5 V below V_{DD} by the circuit of Figure 10 and is coupled to the TEST terminal via a 500 ohm resistor. This terminal can be used as the negative rail of external digital circuitry that is powered from V_{DD} , provided that the TEST currents do not exceed 1 mA.

If TEST is shorted directly to V_{DD} the LCD should read '-1888'; under this condition 10 mA flows into the TEST terminal and a steady dc voltage is applied to the LCD; this voltage may burn the display if sustained for several minutes.

The back-plane (BP) drive signal to the display switches fully between TEST and V_{DD} at the clock frequency divided by 800. With a 40 kHz clock, BP has a frequency of 50 Hz (giving a period of 20 mS). Note that the calibration accuracy of the module is independent of the clock frequency, which is thus not designed to be particularly stable.

Auxiliary terminals. The DPM-05 has a number of auxiliary terminals that are used only in special applications. The two LMP terminals give access to a backlight bulb fitted to the LCD in some special modules.

The AB terminal connects to the '1000' digit of the LCD, and the E1, B1 and G1 terminals connect to the E, B and G segments respectively of the '100s' digit of the LCD. These terminals can be decoded with the BP signal to detect the over-range (O/R) and under-range (U/R) states of the module and thence activate auto-ranging circuitry, etc. Figure 11 shows the external decoder circuit that must be used; the two ICs are powered from the V_{DD} and TEST terminals.

continued on page 52

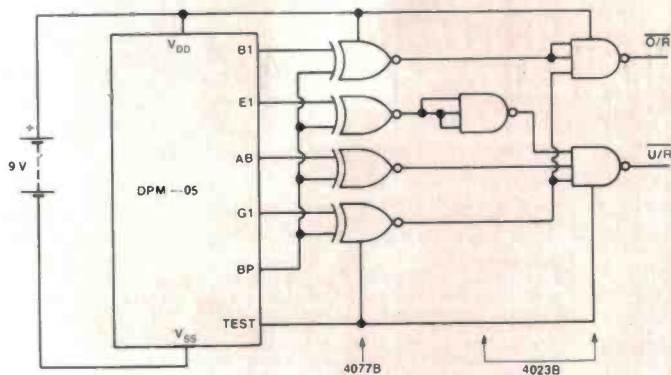


Figure 11. Circuit for developing under-range and over-range signals from the DPM-05.

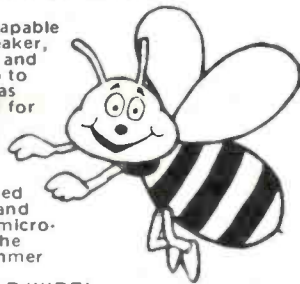
Australia's Most Exciting Personal Computer The Incredible Micro Bee

CALL IN FOR A DEMO AT ALTRONICS NEW BEE COMPUTER CENTRE



The MicroBee is definitely the most versatile computer now available in Australia. Its ability to run complex software, and its friendliness to the user, have gained the Bee great acceptance, in the home, in small to medium businesses and in schools. In fact the Bee has recently been approved and recommended under contract by the N.S.W. and W.A. Education Departments. Children are growing up with Bee's!

In its basic 16K PLUS form the Bee is capable of playing music through its built-in speaker, high and low resolution graphics, upper and lower case characters, direct connection to printers and has standard features such as battery backup (keep programs in RAM for months), full size QWERTY keyboard, inbuilt in/out ports and basic contained in ROM.



The all Australian designed and developed "Bee" incorporates the most powerful and comprehensive editing facilities of any micro-computer yet released — editing being the single most important operator/programmer facility. With the Bee it's a dream and, incidentally, attracting attention WORLD WIDE!

FEATURES OF COMPUTERS COSTING MANY TIMES ITS PRICE

The Bee can be expanded through various stages, (16K-32K, 32K-64K) to a powerful 2.2CP/M Bee with disks capable of word processing and running world class software from machines such as IBM, DEC and HEWLETT PACKARD.

MICRON 12

Green Phosphor Monitor Features: 12" screen. Front controls, on/off, contrast/reverse, brightness. Power: 240V/50Hz or 12V DC. Input: RCA type. DC Output: Jack 12V 1.1 Amp — power your Micro direct without a power pack. Bandwidth: 10Hz to 20MHz the resultant definition is truly amazing for a low cost monitor.



Guaranteed by ALTRONICS! Incredible Value.

D 1112 \$199.50

THE VARIOUS BEES AND HARDWARE

COMPUTER		
D 1016 MicroBee 16K Plus		\$ 449.00
D 1032 MicroBee 32K Plus		\$ 549.00
D 1064 MicroBee 64K Plus		\$ 699.00
D 1216 16K-16K Plus Conversion Pack		\$ 29.95
D 1232 16K-32K Plus Conversion Pack		\$ 125.00
D 1264 32K-64K Plus Conversion Pack		\$ 175.00
D 1270 S-100 Digitalker		\$ 155.00
D 1275 S-100 Romblaster		\$ 165.00
D 1280 S-100 Desk Top Interface		\$ 299.00
D 1285 Parallel Port inc. DB15 Plug and Hood		\$ 19.95

UPGRADE TO A CP/M2.2 DISK DRIVE SYSTEM

D 1300 Disk Drive with Controller & CP/M2.2	\$ 799.00
D 1305 Add On Disk Drive	\$ 659.00
D 2600 CP/M2.2 Disk	\$ 200.00

SOFTWARE

The MicroBee is supported by an ever increasing range of software cassettes and ROM chips.

CASSETTES		
D 2520 Space Invaders	\$	14.95
D 2521 Concentration	\$	9.95
D 2522 Chess	\$	9.95
D 2523 Typing/Solitaire	\$	9.95
D 2524 Target	\$	9.95
D 2525 Lunar Landing/Hurkle	\$	7.95
D 2626 Star Shoot/Hangman	\$	7.95
D 2527 Biorhythm/Calendar	\$	9.95
D 2528 Eliza	\$	9.95
D 2529 Kids Games	\$	9.95
D 2530 Master Mind/Nim	\$	9.95
D 2531 Chase/Wumpus	\$	9.95
D 2532 Z Trek	\$	9.95
D 2533 Educational Pack 1	\$	24.95
D 2534 Educational Pack 2	\$	24.95
D 2535 Graphic Games	\$	9.95
D 2536 Missile Wars	\$	9.95
D 2537 PCG Tutorials	\$	9.95
D 2538 MicroBee Pilot Educational	\$	14.95
D 2541 "ESC" Key	\$	9.95
D 2542 Robot Man	\$	14.95
ROM		
D 2503 Editor/Assembler	\$	59.50
D 2507 5.1 Basic Upgrade	\$	20.00
D 2540 Word Bee ROM Pak (Word Processor)	\$	89.50
D 2543 Pascal S+	\$	299.00

Adjustable Azimuth DATA CASSETTE

At last a Data Cassette Recorder/Player you can afford. The Micron D 1120 is fully adjustable azimuth (absolutely essential in our opinion) and incorporates tailored audio frequency response audio stage together with low distortion.

Now you can save and load software in your Micro with confidence.

Micron D 1120 Data Cassette ONLY \$49.50

D 1140 C10 Data Cassette Tape	\$1.10
D 1141 C20 Data-Cassette Tape	\$1.20



EPSON MX80/3 DOT MATRIX PRINTER

All serious programmers require hard copy of program listings and every business needs a printer for stock control, invoicing, monthly balances etc.

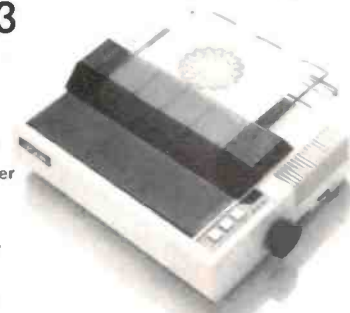
The economy-priced MX80 has full graphic capabilities (480 x 8, 960 x 8 dots/line, bit image).

THE QUALITY OF THIS MACHINE'S PRINTING MUST BE SEEN TO BE BELIEVED!

Specifications:

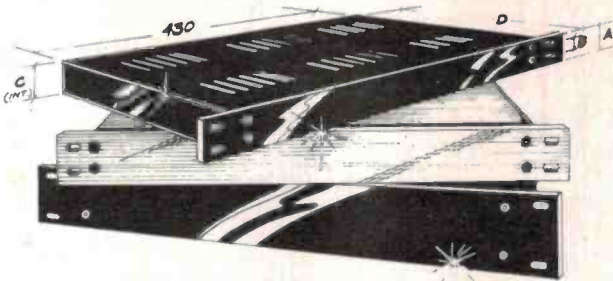
Print Rate: 80 char. per sec. Print Direction: Bidirectional logic seeking. Character Set: Full 96 character ASCII with descenders plus 8 International char. sets. Character Structure: 9 x 9 text mode. Character Size: 3.1 (H) x 2.1 (W)mm. Total of 32 Printing Styles: Normal, Normal Enlarged, Condensed, Condensed Enlarged, Emphasized, Programmable. Paper Feed: Adjustable sprocket (4"-10") plus Friction Feed. Interface: Centronics 8 Bit Parallel.

D 1180 MX80 F/T (No Graphics)	\$1025.00
D 1183 MX80/3 F/T (Graphics)	\$1195.00
D 1188 MX80 Serial Interface Adaptor Board	\$135.00
D 1189 MX80/3 Serial I/Face Board w/- 2K Buffer	\$249
D 1190 Printer Cable Interface Kit	\$49.95



WILL
YOUR BUDGET PROBABLY WON'T STRETCH TO AFFORD OUR PROFESSIONAL SERIES ALL ALUMINIUM RACK CABINETS

NOW YOUR PREAMPS, AMPS, CONTROL MODULES MONITOR PANELS ETC. CAN LOOK EVERY BIT AS GOOD AS TECHNICS, NAKAMICHI AND OTHER TOP MANUFACTURERS



INTRODUCTORY PRICES

Cat No.	Finish	A	B	C	PRICE	5 or More
H 0401	Natural	44	34	38	\$42.50	\$39.95
H 0402	Natural	88	57	82	49.95	47.50
H 0403	Natural	132	89	126	55.00	49.95
H 0411	Black	44	34	38	42.50	39.95
H 0412	Black	88	57	82	49.95	47.50
H 0413	Black	132	89	126	55.00	49.95

Beware of other rack boxes that do not conform to international rack sizing.

THE BRILLIANT MARC NR 82 FI

FEATURING: Digital frequency Display. SSB CW. FM AM reception. B.F.O. Double Conversion. Double Super-het. crystal controlled (VHF) Local Oscillator. 4 inbuilt antennas and good looks. you will spend hours just learning how to drive it!



See Review in Electronics Australia August 1982

3 Way Power

Digital Tuning

HI FI SOUND

4 Inbuilt Antennae

only \$349 C9484

SPECIFICATIONS:

Semi-conductors: 1-LSI, 4-IC's, 7-FET, 34-Transistors, 42-Diodes
 Frequency range:
 LW 145-360 KHz SW3 9-22 MHz VHF3 88-108 MHz
 MW 525-1600 KHz SW4 22-30 MHz VHF4 108-136 MHz
 SW1 1.6-3.8 MHz VHF1 30-50 MHz VHF5 144-176 MHz
 SW2 3.8-9 MHz VHF2 68-86 MHz UHF 430-470 MHz
 Power supply: AC 240V 50Hz, DC 12V (8 x "D" cells), Ext. DC 12V Car/Boat.
 Speaker: 12.5cm Permanent Dynamic Speaker (3.2 ohm)
 Antenna: Ferrite Bar Antenna for LW, MW and SW1
 3 x Telescopic Antenna for SW, VHF and UHF
 Controls: Power ON-OFF switch - Digital display ON-OFF switch - Tape-Radio switch, Wide-Narrow band selector switch, AM band selector (LW/MW/SW1/SW2/SW3/SW4), VHF band selector (VHF1/VHF2/VHF3/VHF4/VHF5/UHF), Ant. Selector (Telescopic ANT./EXT. ANT.), Tuning control (direct gear drive), volume control, Bass control, Treble control, Squelch control, BFO pitch control, RF gain control, Antenna adjustor control, Mode switch (USB-NOR-LSB/CW)
 Terminals: Ext. Speaker/Headphone Jack, Tape IN-OUT jack, VHF/UHF ANT. connector (coaxial), SW EXT. ANT. terminal (Screw), Ext. battery jack
 Meter: Tuning Meter
 Digital Frequency Counter Section:
 Display: LW/MW/SW-1 KHz SW2-4/VHF1-5 MHz
 Control: SW Calibrator Dimensions: 452mm (W) x 288mm (H) x 130mm (D)

ALTRONICS RESELLERS

Please note that resellers may not have all the items advertised in stock, and as resellers have to bear the cost of freight, prices may be slightly higher than advertised. ALTRONICS reseller prices should however represent a considerable saving over our competitors' prices.

NEW SOUTH WALES	QUEENSLAND
CITY Radio Dispatch 211 0191 Electronic Agencies 29 2098 Jaycar 264 6688	CITY Disound 229 6155
SUBURBAN LEWISHAM PrePak Electronics 569 9770	SUBURBAN SALISBURY Colourview Wholesale 275 3188 FORTITUDE VALLEY St Lucia Electronics 52 3547
CONCORD Electronic Agencies 745 3077	BIRKDALE Wholesale Sound Accessories 207 2502
DEE WHY David Ryall Electronics 982 7500	COUNTRY CAIRNS Thompson Instrument Services 51 2404
WAITARA Applied Technology 487 2711	TOWNSVILLE Sola 72 2015
MATTRAVILLE Creative Electronics 666 4000	ROCKHAMPTON Purely Electronics 21058
COUNTRY BROKEN HILL Crystal TV 4803	GLADSTONE Purely Electronics 72 4321
COFFS HARBOUR Coffs Harbour Electronics 52 5684	GYMPIE TV and Appliance Services 82 1671
PENRITH Acorn Electronics 21 2409	IPSWICH P & P Electronics 281 8001
NEWCASTLE D G E. Systems 69 1625	TOOWOOMBA Hunts Electronics 32 9677 Down's Radio and TV 32 1044
WINDANG Madjenk Electronics 96 5066	NAMBOUR Namhour Electronics 41 1604
GOSFORD Tomorrow Electronics 24 7246	NT DARWIN Radio Parts Darwin 81 8508 Kent Electronics 81 4749 Ventronics 81 3491
KURRI KURRI Kurri Electronics 37 2141	ALICE SPRINGS Farmer Electronics 52 2967 Ascom Electronics 52 1713
SOUTH AUSTRALIA CITY ADN Electronics 212 5505	TASMANIA HOBART Beta Electronics 34 8232
SUBURBAN PROSPECT Jensen Electronics 269 4744	KINGSTON Kinaston Electronics 26 6802
ELIZABETH GROVE A.E. Cooling 255 2249	AVOCA Freemans TV 84 2166
CHRISTIES BEACH Force Electronics 382 3366	WEST AUSTRALIA ALBANY BP Electronics 41 2681
KESWICK Freeway Electric Wholesalers 297 2033	GERALDTON Geraldton TV and Radio 21 2777
VICTORIA CITY All Electronic Components 662 3506 Elitronics 602 3499	WYALKATCHEM D & J Peas 81 1132
SUBURBAN HUNTINGDALE Stewart Electronics 543 3733	MANDURAH Kentrionics 35 3227
SOUTH CROYDON Truscott Electronics 3223 3860	ACT SCIENTRONS Electronic Components 54 8334 80 4654
COUNTRY SHEPPARTON GV Electronics 21 8866	
MILDURA Electronic and Digital Services 23 3380	

RESELLERS WANTED IN ALL AREAS (including WA)

Phone: STEVE WROBLEWSKI (09) 381 7233 for details

NEW 24 HOUR 7 DAYS P/WEEK PHONE ORDER SERVICE FOR BANKCARD HOLDERS

Take advantage of "off peak" low STD phone rates and phone your order to our new recorded 24 hour order service. Give your name, address with postcode, phone number, bankcard number and expiry date then your order—and presto your order will be processed and back to you in a flash—Please nominate Jetservice if you want overnight delivery.

\$2.50 DELIVERY AUSTRALIA WIDE We process your order the day received and despatch via Australia Post. Allow approx. 7 days from day you post order to when you receive goods. Weight limited 10kgs.

\$4.50 DELIVERY AUSTRALIA WIDE We process your order day received and despatch via Jetservice for delivery next day.

BANKCARD HOLDERS CAN PHONE ORDER UP TO 8PM (EST) FOR NEXT DAY DELIVERY - SOUNDS INCREDIBLE DOESN'T IT? Alright you cynics just try us! Weight limit 3.3kgs. Jetservice cannot deliver to P.O. box numbers (Australia Post would have a fit).

\$10.00 HEAVY HEAVY SERVICE - AUSTRALIA-WIDE All orders over 10kgs must travel on the heavy service, that is - road express. Delivery time 7 days average.

ALTRONICS

105 STIRLING ST., PERTH FOR INSTANT SERVICE

(09) 328 1599

All Mail Orders:

Box 8280 Stirling St., Perth WA 6000

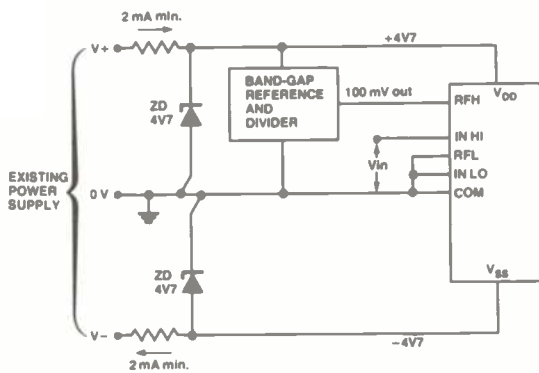


Figure 12. Method of building the module into existing equipment that is powered from split supply rails.

Power supplies

The most popular application of the DVM module is as a self-contained multimeter which is used as a general purpose test instrument. In this type of application the module is simply powered from a 9 V battery connected between V_{DD} and V_{SS} .

The module can, however, be built into existing equipment and used in dedicated measuring/indicating applications.

If the equipment is powered from a single-ended supply, the module must be powered from its own 'floating' supply, derived from either a battery or from a separate winding of a mains transformer.

In the case of a battery-powered instrument, the supply to the meter can be switched by a spare pair of contacts on the main switch.

If the equipment is powered from split supplies, the module can be powered from the existing power rails by using the connections shown in Figure 12, in which COM is tied to the common rail, V_{SS} is fed from $-4V7$, V_{DD} from $+4V7$, and the REFERENCE and INPUT terminals are referenced to the COM terminal. The RFH terminal must be driven from an external reference, as shown.

PRACTICAL APPLICATIONS

DC volt & current meters

The DVM module is supplied ready-calibrated to give a full scale reading of ± 199.9 mV dc. The module can be made to give alternative full scale dc voltage readings by connecting the input voltage to the module via a decade potential divider, as shown in Figure 13, or can be made to act as a dc current meter by wiring a suitable shunt resistor across the input terminals, as shown in Figure 14.

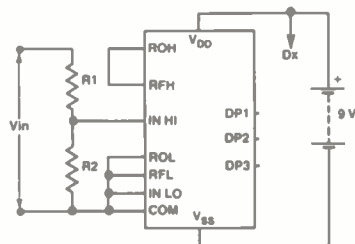


Figure 13. The DVM module can read alternative dc voltage ranges by connecting the input via a potential divider.

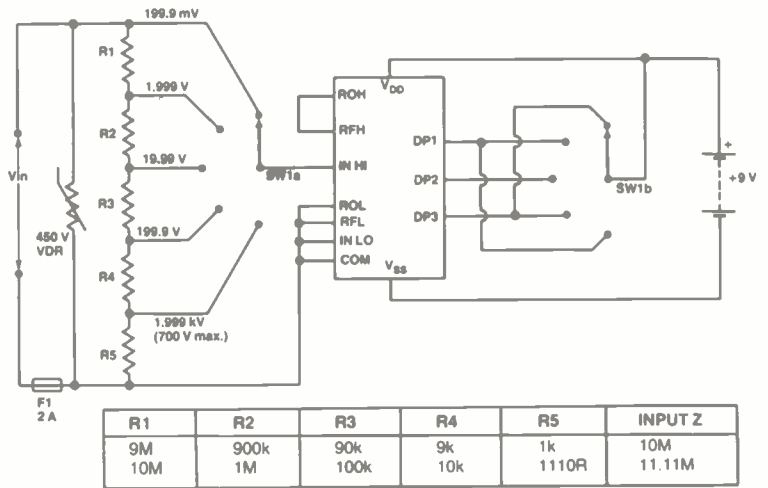


Figure 15. Five-range dc voltmeter.

Note in both diagrams that the appropriate decimal point of the display must be tied high on each range, as indicated.

The module can be used as a five-range dc voltmeter by using the connections shown in Figure 15; the table shows alternative potential-divider component values to give input impedances of 10M or 11.11M.

Precision '9'-decade (9M, 900k, etc) resistors are used in most multimeters and are available from several component suppliers. Note that in multi-range applications the circuit should be provided with some form of overload protection, and in the diagram this is given by fuse F1 and by a voltage-dependent

resistor (VDR) or 'transient suppressor' across the divider. Also note that on the '1.999 kV' range the maximum input is actually limited to 700 volts by the VDR.

The module can be used as a five-range dc current meter by using the connections shown in Figure 16. Note here that the generated voltages of the shunts are directly monitored by the DVM module, and that variations in the switch resistance of SW1a have no effect on the accuracy of measurement; a separate input terminal is used for the '2 Amp' measurement. The circuit is protected against positive and negative overloads by diodes D1-D2 and fuse F1.

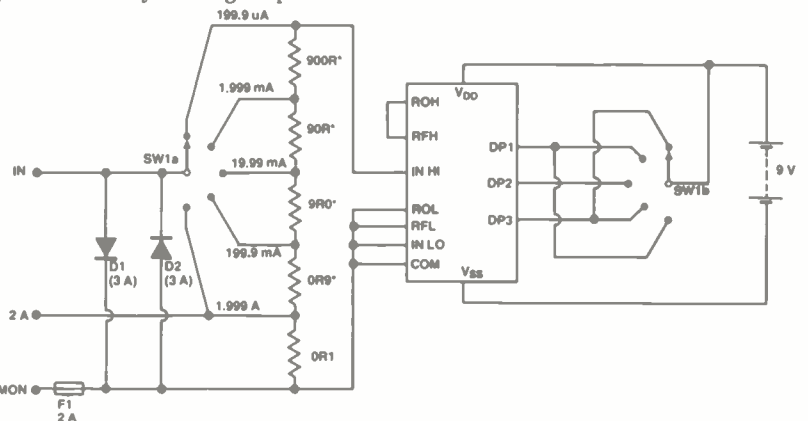


Figure 16. Five-range dc current meter.

R1	R2	V FULL SCALE	DECIMAL POINT HIGH
0	10M	199.9 mV	DP3
9M	1M	1.999 V	DP1
9M9	100k	19.99 V	DP2
10M	10k	199.9 V	DP3
10M	1k	1.999 kV	DP1

R1	I FULL SCALE	DECIMAL POINT HIGH
10k	19.99 μ A	DP2
1k	199.9 μ A	DP3
100R	1.999 mA	DP1
10R	19.99 mA	DP2
1R	199.9 mA	DP3
0R1	1.999 A	DP1
0.01R	19.99 A	DP2

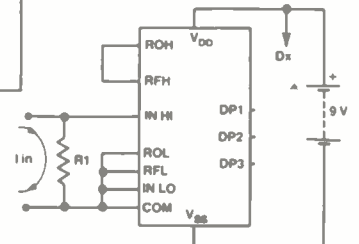


Figure 14. The DVM module can be made to read dc current by connecting a shunt resistor across its input.

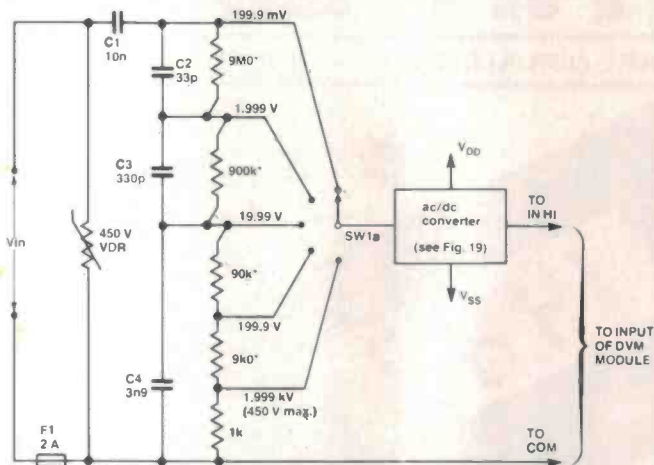


Figure 17. Modification of the Figure 15 circuit, to act as a five-range ac voltmeter.

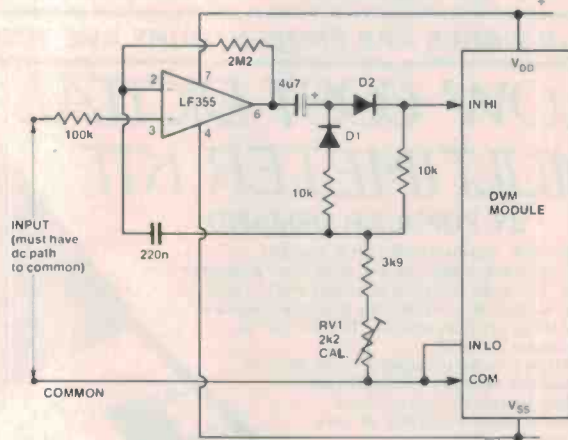


Figure 19. Precision ac/dc converter.

AC volt & current meters

Figure 17 shows how the Figure 15 circuit can be modified to act as a five-range ac voltmeter that has a frequency response flat within 1 dB to about 120 kHz.

Input signals are fed to the attenuator via dc-blocking capacitor C1, and the attenuator is frequency compensated by C2 to C4. The attenuator output is fed to the input of the module via a precision ac/dc converter, which gives a dc voltage output equal to the RMS value of a sinewave input.

Figure 18 shows how the Figure 16 circuit can be similarly modified to act as a five-range ac current meter. In this case it is not feasible to prevent dc currents feeding into the shunts: instead, dc-blocking is done at the output of the shunts via C1-R1, and the resulting ac signals are fed to the input of the DVM module via a precision ac/dc converter.

Note that the input protection network of this circuit differs from that of Figure 16 in that pairs of diodes are wired in series.

Figure 19 shows the circuit of the precision ac/dc converter for use with the above two circuits. The gain of the converter can be set to precisely 2.2 via RV1, to give a dc output voltage that is equal to the RMS value of a sinewave input.

The converter is powered from the supply rails of the module, and is designed around an LF355 op-amp, which can operate quite happily from the 2V8 between V_{DD} and COM.

First, it is very stable and inherently self-calibrating, the meter reading being equal to $R_x \times (RV/R_{ref})$, where RV is the ratiometric value of the meter when used in the Figure 7 test circuit. RV is typically only 0.2% low, so measurement accuracy is determined primarily by R_{ref} . The second advantage is that very low test voltages are generated across R_x , the maximum voltage being $\frac{1}{3}$ of the energising voltage (typically 100 to 300 mV) at full scale. Figure 20 shows how the module can be connected as a practical five-range ohmmeter.

Resistance meters

The easiest way to use a DVM as a resistance (ohm) meter is to use it in the ratiometric configuration shown in Figure 5. This technique has two major advantages.

Next month

In the concluding part next month will be a 25-range DMM, temperature, capacitance and frequency meters plus practical construction advice.

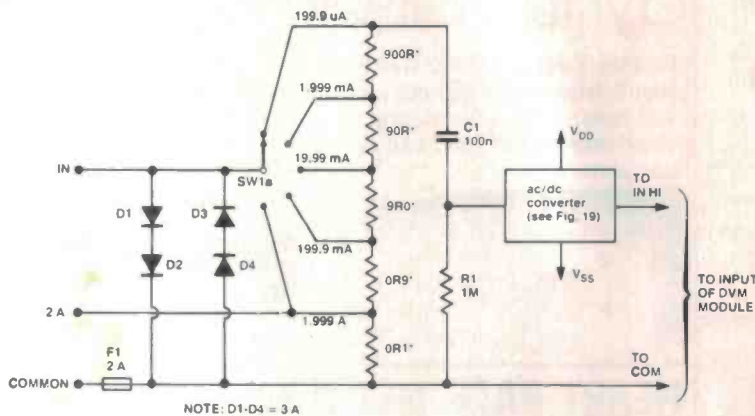


Figure 18. Modification of the Figure 16 circuit, to act as a five-range ac current meter.

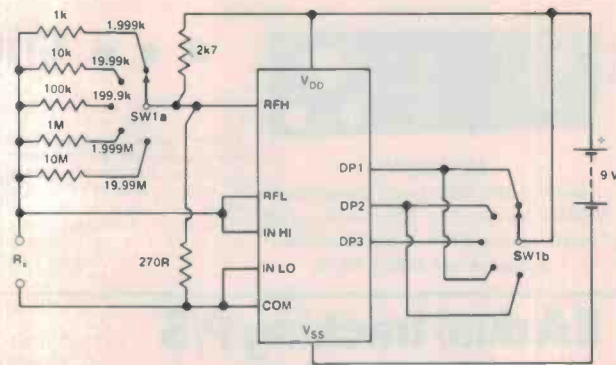


Figure 20. Five-range ohmmeter.

THE BEST KIT LINE

YOUR WAGES ARE FROZEN, OURS ARE TOO. SO ARE OUR KIT PRICES – QUALITY FOR NO MORE!

LOW COST DIGITAL MULTIMETER KIT

BY POPULAR DEMAND

Ref: EA March 1983 (This month)
 Almost everyday we are asked for a multimeter kit. Up until now we thought that it was just not worth it considering the fine low-cost built-up units available. The DP2010 changed all that.
 This kit, fully imported from the UK uses the famous DPM-05 custom LCD/Voltmeter to achieve phenomenal accuracy at very modest cost!
 All parts are included to complete the meter including an attractive and colourful front panel.
 (a 9V battery is required)

Set of test probes to suit \$2.95
 Probe to suit Cat. WT5312 ONLY \$2.50
 Eveready 216 (red) 9V Battery Cat. SB2370 ONLY \$1.40



ONLY \$45

DP2010 kit Cat. KJ7010 ONLY \$45

SPECIFICATIONS

Function	Volts (d.c.)	f.s.d.	Resolution	Accuracy	Protection
Current (d.c.)	2V	1mV	1%:1 digit	500V for 15:1 digit	one minute
	20V	10mV	1%:1 digit	15:1 digit	
	200mA	100µA	3%:1 digit		
	2000mA	1mA	5%:1 digit		
Volts (a.c.)	2V	1mV	2%:5 digit	500V for 2%:5 digit	one minute
	20V	10mV	2%:5 digit		
	200V	100mV	2%:5 digit		
	500V	1V	2%:5 digit		
Current (a.c.)	2mA	1µA	2%:5 digit	1A/250V	
	20mA	10µA	2%:5 digit		
	200mA	100µA	4%:5 digit		
	2000mA	1mA	7%:5 digit		
Resistance	2K	1	1%:1 digit	260V	
	20K	10	1%:1 digit	r.m.s.	
	200K	100	1%:1 digit		
	2000K	1K	1%:1 digit		
Diode Test	2V	1mV	1%:1 digit	260V r.m.s.	

AC VOLTAGE AND CURRENT RANGES

When S3a selects a.c. functions the output from either the voltage attenuator or current shunts is fed through C1 to remove any d.c. component.

500MHz Digital Frequency Period Meter

REF: EA Dec '81 – Feb '82



EXCLUSIVE Gold plated BNC Input Connectors
 500MHz option only \$26 extra KA1392
 50MHz version \$119 Cat. KA1390
 Tilting bail to suit ONLY \$4.95

ONLY \$119

Other people may appear to be selling this kit for less. But you GET less!! Exclusive Jaycar features:
 * Heavy gauge front panel. Pre-punched and silkscreened. (NOT Scotchcal). * Low aging rate 10.000MHz crystal * Quality IC sockets provided (A MUST) * All metal film resistors used (1% 50ppm) * Thermalloy heatsink for +5V reg.
 Beware of advertised units that do not conform to the original design. They may have inferior performance.

EA dual tracking P/S



Ref: EA March '82 Cat. KA1410

\$89.50

Extremely versatile power supply: Will give plus & minus 1.3V to 22V at up to 2 amps PLUS A FIXED +5V@0.9A. The supply is completely protected against short circuits, overloads and thermal runaway. A large meter with voltage calibration is supplied as well as IC sockets. A quality kit.

STEREO STEREO STEREO STEREO

Synthesiser

Short Form Version Only \$39.50 Cat. KA1476

Creates a very realistic stereo sound from mono sources i.e. AM tuners, TV or video units Very easy to build and comes complete.

Ref: EA September 1982

COMPLETE ONLY

\$49.50

Cat. KA1478



HEART RATE MONITOR

Ref: EA 7/82



Cat. KA1466

This unit enables you to measure your own pulse instantly and accurately. It is light enough even for joggers to carry. A must for people who may have heart problems. Complete kit including LCD Display.

WAS \$79 SAVE \$10 NOW \$69

UP IN '83-JAYCAR*

CAN AM SOUND LIKE FM? WE THINK SO! ☆ ☆ ☆ ☆ ☆ ☆ ☆

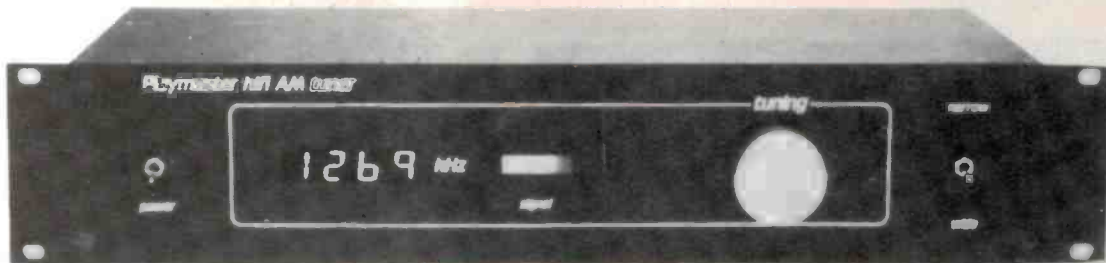
magnificent! NEW EA Wide-band AM Tuner ☆



AM Tuner alignment kit ref: EA March 83
This simple project enables you to accurately align your EA wideband tuner.
Cat. KA1515 \$7.99

NEW EA Wide-band AM Tuner ☆

Ref: EA Dec-Jan 82-83



Australia is one of the few countries in the world where wideband AM is transmitted. In fact a good quality AM signal can be much better than its FM counterpart!! Anyone who has suffered from FM multipath distortion will know what we mean. The Playmaster AM tuner is a true broad-bandwidth superhet design. See the frequency response graph in November EA 1982. Once again, the Jaycar kit is a high quality approach. Jaycar supplies an exclusive front panel design that differs from the original EA design. The Jaycar kit provides all components to complete the project INCLUDING a completely pre-punched cabinet.

FANTASTIC VALUE AT ONLY

\$249

Cat. KA1498

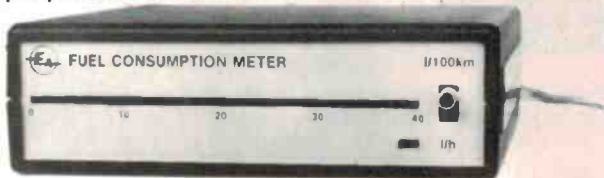
NEW FUEL CONSUMPTION METER

Ref: EA March 1983

Now you have NO EXCUSE to monitor the excesses of your driving habits! At this price your fuel cost savings will pay for the unit very quickly!

Kit including all electronics and pre-punched case —

- Cat. KA1518 \$49.50
- GENUINE MORAY FUEL SENSOR Cat. XC2020 \$69.50
- TAILSHAFT SENSOR TO SUIT Cat. XC2026 \$14.50



TRANSISTOR ASSISTED IGNITION

Ref: EA January 1983. Latest version of this fantastically popular kit!! The Jaycar kit comes with a genuine DIE CAST box — as used in the EA prototype. Beware of others that use flimsy sheet metal boxes!! Ask us about the OPTO option.

Cat. KA1506

ONLY \$35



NEW EPROM programmer for the MicroBee

REF: ET1 2/83

Fantastic little accessory for the popular "MicroBee" computer. The Jaycar kit contains all components including the following SPECIAL features:

- 28 pin IC socket included!
- 3 x 16 pin "PERSONALITY PLUG" HEADERS
- 15 pin PARALLEL CONNECTOR
- IC sockets for all logic devices including personality socket.

ALL THIS FOR ONLY \$39.95!

Cat. KE4650

24 pin ZIF socket to suit only \$12.95 Cat. PI6522



Jaycar NUMBER 1 FOR KITS

125 YORK STREET, SYDNEY 2000
PHONE: 264 6688 TELEX: 72293

"NEVILLES CORNER"
Cnr. CARLINGFORD & PENNANT HILLS ROAD,
CARLINGFORD
PHONE: 872 4444

MAIL ORDERS TO: BOX K 39 HAYMARKET, SYDNEY 2000

POST AND PACKING CHARGES
\$5 — \$9.99 (51 50) \$10 — \$24.99 (53 20)
\$25 — \$49.99 (54 50) \$50 — \$99.99 (56 50)
\$100 and (58 00)

NEW SHOP HOURS
Mon — Fri 9.30 to 5.30pm
Sat 9.30 to 12.00pm
Thurs night to 8.30pm

Mail Order By BANKCARD
Via Your Phone



SCRs, triacs and power control

Part two of Ray Marston's short series on these useful devices. In this part, he covers power switch circuits, electric heater controllers, lamp dimmers and motor speed controllers. A whole stack of applications circuits are given — as usual.

Ray Marston

LAST MONTH's Circuit File dealt at length with the fundamentals of SCR and triac circuitry and gave particular attention to the principles of synchronous and non-synchronous triggering. This issue we present a stack of practical circuits for use on 240 Vac power lines. In these designs, you simply select the triac or SCR rating to suit your own particular application.

Let's start off, then, by looking at some practical triac power switch designs for use in basic on/off ac power line switching applications.

TRIAC POWER SWITCHES

Non-synchronous designs

As was explained in part 1, triacs can be triggered (turned on) either synchronously or non-synchronously with the mains voltage. Synchronous circuits *always* turn on at the same point in each mains half-cycle (usually just after the zero-crossing point), and usually generate minimal RFI. The trigger points of non-synchronous circuits are not synchronised to a fixed point of the mains cycle, and the circuits may generate significant RFI, particularly at the point of initial turn-on. Triac turn-off is always automatically synchronised to the mains, as the device's main-terminal currents fall below the minimum-holding value at the end of each mains half-cycle.

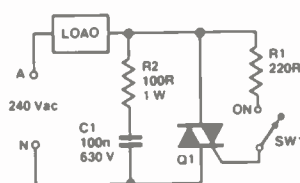


Figure 1. Simple ac power switch, ac line triggered.

Figures 1 to 8 show a variety of non-synchronous triac power switch circuits which can be used in basic on/off line switching applications. The action of the Figure 1 circuit was explained last month, being such that the triac is gated on from the mains via the load and R1 shortly after the start of each mains half-cycle when SW1 is closed, but remains off when SW1 is open. Note, in this circuit, that the trigger point is *not* synchronised to the mains when SW1 is initially closed, but becomes synchronised on all subsequent half-cycles.

Figure 2 shows how the triac can be triggered via a mains-derived dc supply. C1 is charged to +10 V on each positive half-cycle of the mains via R1-D1, and the C1 charge triggers the triac when SW1 is closed. Note that all parts of this circuit are 'live', making it difficult to interface to external electronic control circuitry.

Figure 3 shows how the above circuit can be modified so that it can easily be interfaced to external control circuitry. SW1 is simply

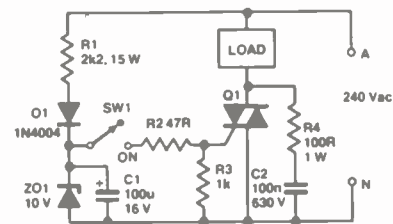


Figure 2. Ac power switch with line-derived dc triggering.

replaced by transistor Q2, which in turn is driven from the 'phototransistor' side of an inexpensive optocoupler. The 'LED' side of the optocoupler is driven from a 5 V or greater dc supply via R4. The triac turns on only when the external supply is connected via SW1.

Optocouplers have typical insulation potentials of 500 to several thousand volts, so the external circuit is fully isolated from the mains, and can easily be designed to give any desired form of remote operation of the triac by replacing SW1 with an electronic switch.

Figure 4 shows an interesting variation of the above circuit. In this case the triac is ac-triggered on each half-cycle of the mains via C1-R1 and back-to-back zeners ZD1-ZD2.

Note that the mains impedance of C1 determines the magnitude of the triac gate current but that C1 dissipates virtually no power. Bridge rectifier D1 to D4 is wired

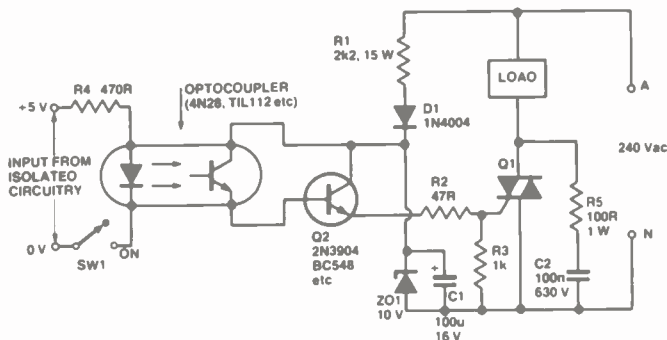


Figure 3. Isolated-input (optocoupled) ac power switch, dc triggered.

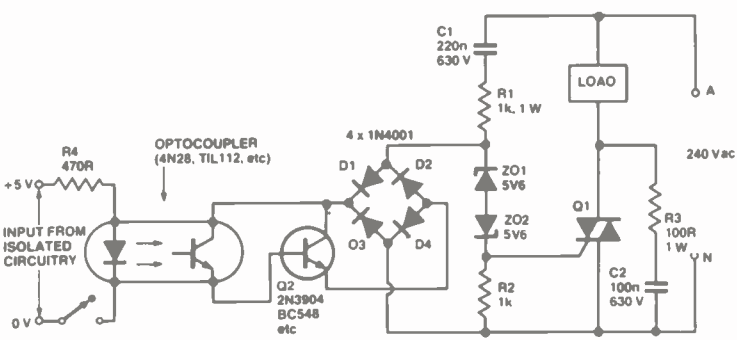


Figure 4. Isolated-input ac power switch, ac triggered.

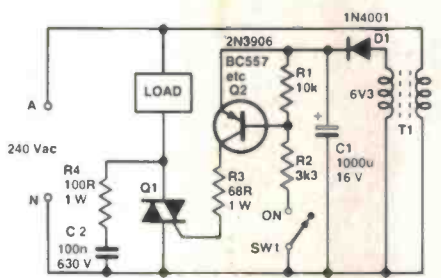


Figure 5. Ac power switch with transistor-aided dc triggering.

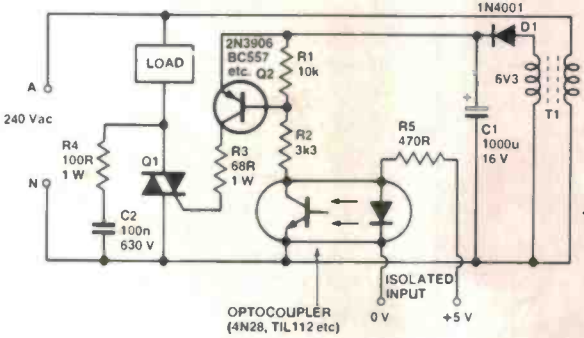


Figure 6. Isolated-input ac power switch with dc triggering.

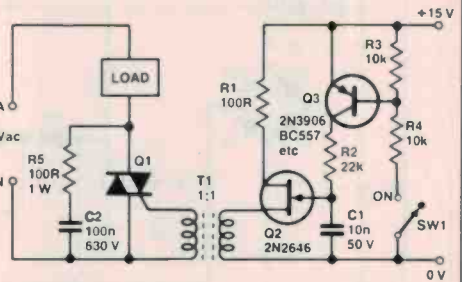
Figure 7. Isolated-Input (transformer-coupled) ac power switch.

Synchronous designs

Synchronously-triggered triac circuits *always* turn on at the same point in each mains half-cycle. Usually, the trigger point occurs just after the 'zero-crossing' point at the start of each half-cycle, in which case the triac generates absolutely minimal RFI.

Figures 9 to 18 show a number of on/off power switching circuits that use this form of triggering.

Figure 9 shows the practical circuit of a 'transistorised' synchronous line switch that is triggered near the zero-voltage crossover points of the mains. The triac gate trigger



across the ZD1-ZD2-R2 network and is loaded by Q2. When Q2 is off, the bridge is effectively open and the triac turns on shortly after the start of each mains half-cycle: when Q2 is on, a near-short appears across ZD1-ZD2-R2 inhibiting the triac gate circuit, and the triac is off.

Transistor Q2 is actually driven via the optocoupler from an isolated external circuit, so the triac is normally on but turns off when SW1 is closed.

CONSTRUCTION OF T1, FIGS 7, 8

The core is a 30 mm long piece of 9.6 mm dia. ferrite aerial rod. The primary and secondary are each 30 turns of 0.4 mm dia. enamelled wire (26 B&S) closewound on the centre 15 mm of the core. Use two layers of plastic insulation tape between the two windings and cover complete unit with a further two layers of tape. Bring the primary and secondary leads out opposite ends of the core. Mark the starts of each winding (spots on circuit).

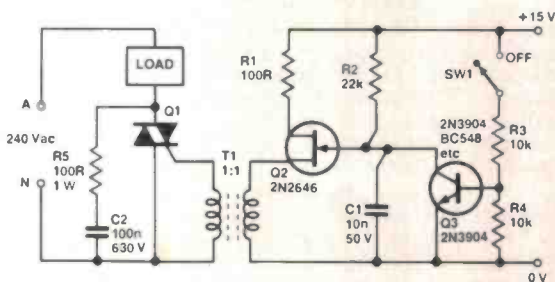


Figure 8. Isolated-input ac power switch.

Finally, to complete this section, Figures 7 and 8 show a couple of alternative ways of obtaining triacs triggering from a fully isolated external circuit. In these two circuits the triggering action is obtained from a unijunction (UJT) oscillator (Q2) which operates at a frequency of several kilohertz and has its output pulses fed to the triac gate via pulse transformer T1, which provides the desired 'isolation'.

In the Figure 7 circuit, Q3 is wired in series with the UJT's main timing resistor so the UJT and triac turn on only when SW1 is closed. In the Figure 8 circuit, Q3 is wired in parallel with the UJT's main timing capacitor so the UJT and triac turn on only when SW1 is open. In both of these circuits, SW1 can easily be replaced by an electronic switch.

current is obtained from a 10 Vdc supply that is derived from the mains via R1-D1-ZD1 and C1, and this supply is switched to the gate via Q5, which in turn is controlled by SW1 and zero-crossing detector Q2-Q3-Q4.

The action of Q5 is such that it can only turn on and conduct gate current when SW1 is closed and Q4 is off. The action of the zero-crossing detector is such that Q2 or Q3 are driven on whenever the instantaneous mains voltage is positive or negative by more than a volt or two (depending on the setting of RV1), thereby driving Q4 on via R3 and inhibiting Q5.

Thus, gate current can only be fed to the triac when SW1 is closed and the instantaneous mains voltage is within a few volts of zero. The circuit thus provides minimal switching RFI.

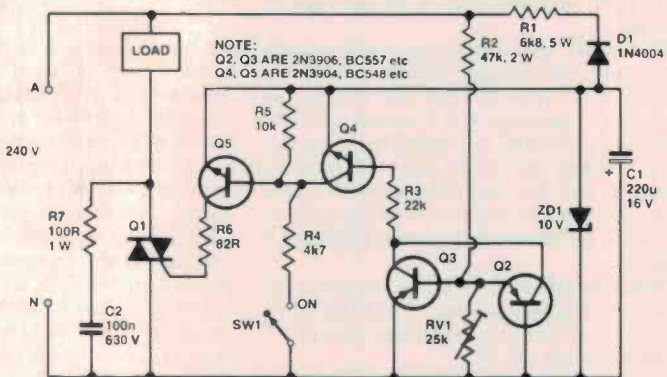


Figure 9. 'Transistorised' synchronous line switch.

Figure 10 shows how the circuit can be modified so that the triac can only turn on when SW1 is open. Note in both of these circuits that, since only a narrow pulse of gate current is sent to the triac, the mean consumption of the dc supply is very low (1 mA or so). Also note that SW1 can easily be replaced by an electronic switch to give automatic operation via heat, light, etc, or by an optocoupler to give fully isolated operation from external circuitry.

Figure 10. Alternative version of the 'transistorised' line switch.

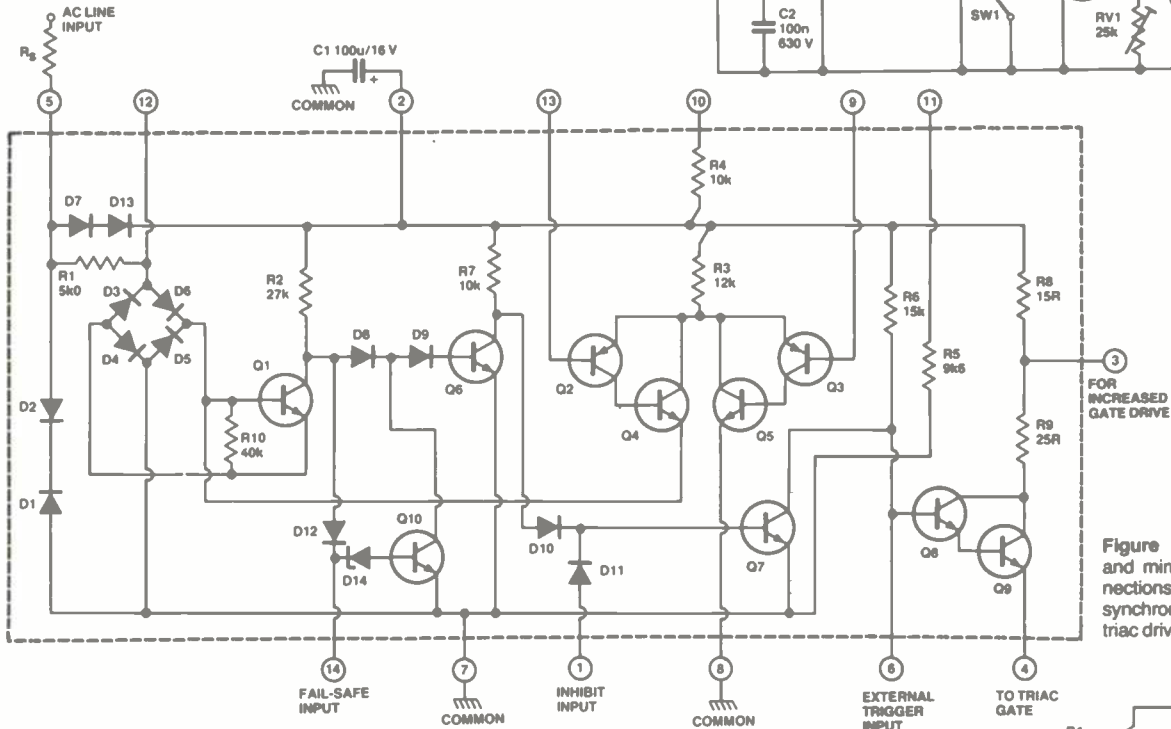
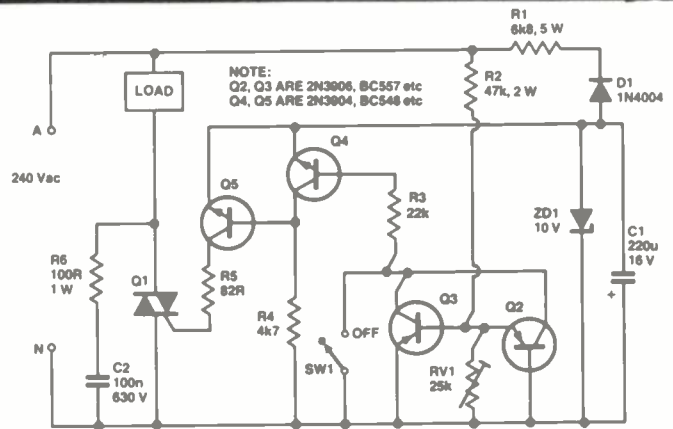


Figure 11. Internal circuitry and minimal external connections of the CA3059 synchronous 'zero-voltage' triac driver.

A number of special-purpose synchronous zero-crossover triac-gating ICs are available, the best known examples being the CA3059 and the TDA1024. These devices incorporate mains-derived dc power supply circuitry, a zero-crossing detector, triac gate drive circuitry, and a high gain differential amplifier/gating network.

Figure 11 shows the internal circuitry of the CA3059, together with its minimal external connections. Mains power is connected to pins 5 and 7 via limiting resistor R_3 (22k, 5 W or three 68k, 1 W resistors in parallel).

Diodes D1 and D2 act as back-to-back zeners and limit the pin 5 voltage to ± 8 V. On positive half-cycles D7 and D13 rectify this voltage and generate 6.5 V across the 100uF capacitor connected to pin 2. This capacitor stores enough energy to drive all internal circuitry and provide adequate triac gate drive, with a few milliamps of spare drive available for powering external circuitry if needed.

Bridge rectifier D3 to D6 and transistor Q1 act as a zero-crossing detector, with Q1 being driven to saturation whenever the pin 5 voltage exceeds ± 3 V.

Gate drive to an external triac can be made via the emitter (pin 4) of the Q8-Q9 Darling-

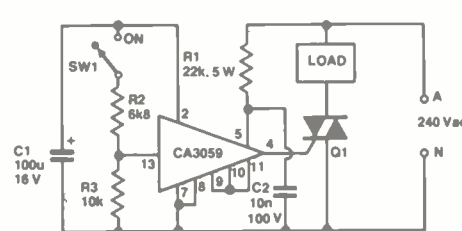


Figure 12. Direct-switched IC-gated 'zero-voltage' line switch.

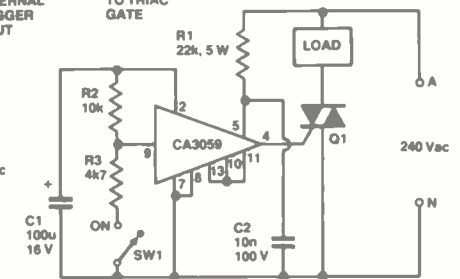


Figure 13. An alternative method of direct-switching the CA3059 IC.

ton pair, but is available only when Q7 is turned off. When Q1 is turned on (pin 5 greater than ± 3 V) Q6 turns off through lack of base drive, so Q7 is driven to saturation via R7 and no triac gate drive is available at pin 4. Triac gate drive is available only when pin 5 is close to the 'zero-voltage' mains value. When gate drive is available, it is delivered in the form of a narrow pulse centred on the crossover point, with pulse power supplied via C1.

The CA3059 incorporates a differential amplifier or voltage comparator, built around Q2 to Q5, for general purpose use. Resistors R4 and R5 are externally available for biasing one side of the amplifier. The

emitter current of Q4 flows via the base of Q1 and can be used to disable the triac gate drive (pin 4) by turning Q1 on.

The configuration is such that the gate drive can be disabled by making pin 9 positive relative to pin 13. The drive can also be disabled by connecting external signals to pin 1 and/or pin 14.

Figures 12 and 13 show how the CA3059 can be used to give manually-controlled 'zero-voltage' on/off switching of a triac. These two circuits use SW1 to enable or disable the triac gate drive via the internal differential amplifier of the IC. Remember, the drive is enabled only when pin 13 is biased above pin 9.

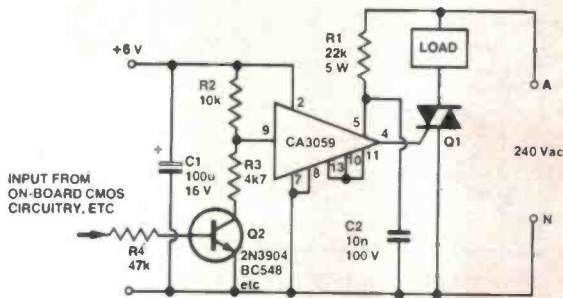


Figure 14. Method of transistor-switching the CA3059 via on-board CMOS circuitry, etc.

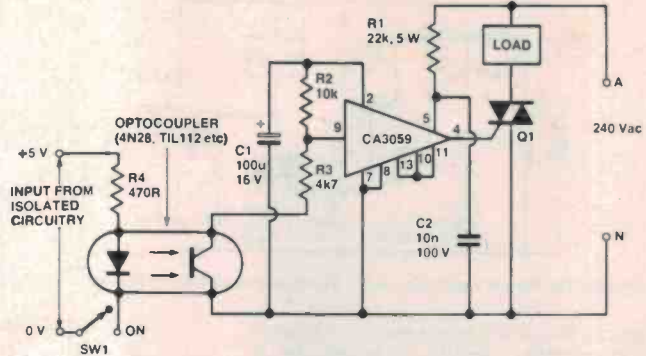


Figure 15. Method of remote-switching the CA3059 via an optocoupler.

In the Figure 12 circuit, pin 9 is biased at half-supply volts and pin 13 is biased via R2-R3 and SW1, and the triac turns on only when SW1 is closed.

In Figure 13, pin 13 is biased at half-supply and pin 9 is biased via R2-R3 and SW1, and the triac again turns on only when SW1 is closed. In both of these circuits, SW1 handles a maximum potential of 6 V and maximum current of only 1 mA or so.

Note, in these designs, that capacitor C2 is used to apply a slight phase delay to the pin 5 'zero-voltage detecting' terminal, and causes the gate pulses to occur slightly after (rather than to 'straddle') the zero-voltage point.

Note in the Figure 13 circuit that the triac can be turned on by pulling R3 low or turned off by letting R3 float. Figures 14 and 15 show how this simple fact can be put to use to extend the versatility of the basic circuit.

In Figure 14, the triac can be turned on and off by transistor Q2, which in turn can be activated by on-board CMOS circuitry (such as one-shots, astables, etc) that are powered from the 6 V pin 2 supply.

In Figure 15, the circuit can be turned on and off by fully-isolated external circuitry via an inexpensive optocoupler, which needs an input in excess of only a couple of volts to turn the triac on.

Alternatively, Figure 16 shows how the TDA1024 can be used in place of the CA3059 to give either directly-switched or optocoupled 'zero-voltage' triac control.

Finally, to complete this section, Figures 17 and 18 show a couple of ways of using the CA3059 so that the triac operates as a light-sensitive 'dark-operated' power switch. In these two designs the built-in differential amplifier of the IC is used as a precision voltage comparator that turns the triac on or off when one of the comparator input voltages goes above or below the other.

Figure 17 is the circuit of a simple dark-activated power switch. Here, pin 9 is tied to half-supply volts and pin 13 is controlled via the R2-RV1-LDR-R3 potential divider.

Under bright conditions the LDR has a low resistance, so pin 13 is below pin 9 and the triac is disabled. Under dark conditions the LDR has a high resistance, so pin 13 is above pin 9 and the triac is enabled and power is fed to the load. The precise threshold level of the circuit can be preset via RV1.

Figure 18 shows how a degree of hysteresis or 'backlash' can be added to the above circuit, so that the triac does not switch

annoyingly in response to small changes (passing shadows, etc) in ambient light level. The hysteresis level is controlled via R3, which can be selected to suit particular applications.

ELECTRIC-HEATER CONTROLLERS

Non-synchronous circuits

Triacs can easily be used to give automatic room-temperature control by using electric heaters as the triac loads and either thermostats or thermistors as the thermal feedback elements.

Two basic methods of heater control can be used, either simple on/off power switching or fully automatic proportional power control. In the former case, the heater switches fully on when the room temperature falls below a preset level and turns off when the temperature rises above the preset level.

In the latter case, the *mean* power to the

heater is automatically adjusted so that, when the room temperature is at the precise preset level, the heater output power self-adjusts to balance the thermal losses of the room.

Because of the high power requirements of electric heaters, special care must be taken in the design of triac controllers to keep RFI generation to minimal levels. Two options are open to the designer, to use either continuous dc gating of the triac, or to use synchronous pulsed gating.

The advantage of dc gating is that, in basic on/off switching applications, the triac generates zero RFI under normal (on) running conditions. The disadvantage is that the triac may generate very powerful RFI as it is initially switched from the off to the on condition.

The advantage of synchronous gating is that no high-level RFI is generated as the triac transitions from the off to the on condition. The disadvantage is that the triac generates continuous very-low-level RFI under normal (on) running conditions.

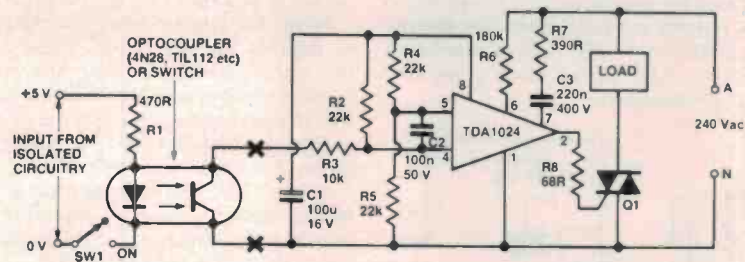


Figure 16. The TDA1024 used to give either directly switched or optocoupled 'zero-voltage' triac control.

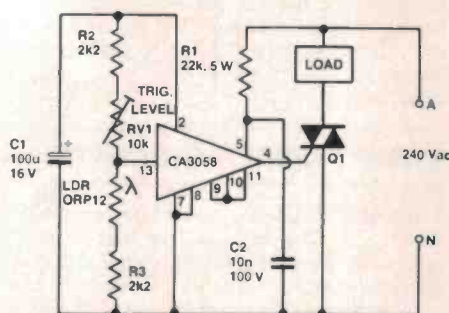


Figure 17. Basic 'dark-activated' zero-voltage switch.

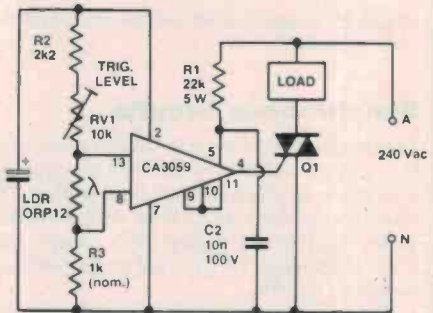


Figure 18. Dark-activated zero-voltage switch with hysteresis provided via R3.

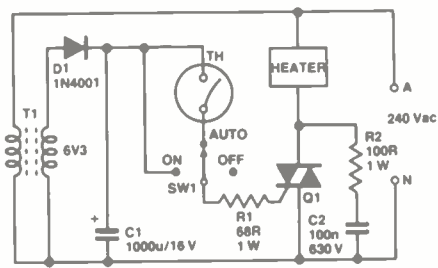


Figure 19. Heater controller with thermostat-switched dc gating.

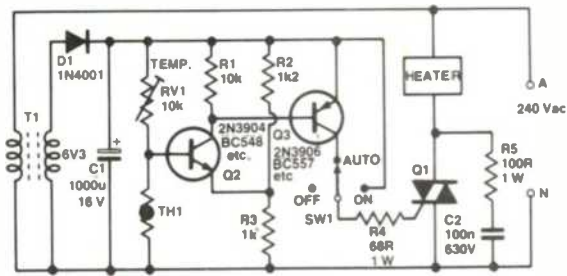


Figure 20. Heater controller with thermistor-switched dc gating.

Figures 19 and 20 show a couple of dc-gated heater-controller circuits, in which the dc supply is derived via T1-D1 and C1, and the heater can be controlled either manually or automatically via SW1. The Figure 19 circuit is auto-controlled via a thermostat.

The Figure 20 circuit on the other hand, is controlled by negative temperature coefficient (NTC) thermistor TH1 and transistors Q2-Q3, and calls for some explanation. RV1-TH1-R2-R3 are used as a thermal bridge, with Q2 acting as the bridge-balance detector. RV1 is adjusted so that Q2 just starts to turn on as the temperature falls to the desired preset level. Below this level, Q2-Q3 and the triac are all driven hard on, and above this level all three components are cut off.

Note, in the Figure 20 circuit that, since the gate-drive polarity is always positive but the triac main-terminal current is alternating, the triac is gated alternately in the I+ and III+ modes (or quadrants) and that the gate sensitivities are quite different in these two modes.

Consequently, when the temperature is well below the preset level Q3 is driven hard on and the triac is gated in both quadrants and gives full power drive to the heater, but when the temperature is very close to the preset value Q3 is only 'gently' driven on, so the triac is gated in the I+ mode only and the heater operates at only half of maximum power drive. The circuit thus gives fine control of temperature.

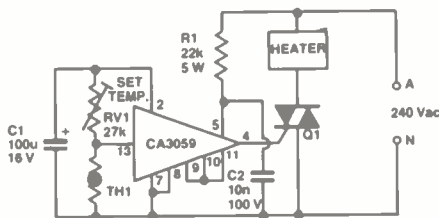


Figure 21. Heater controller with thermistor-regulated zero-voltage switching.

Synchronous circuits

Figure 21 shows how a CA3059 can be used to make an automatic thermistor-regulated synchronous electric heater controller. The circuit is similar to that of the 'dark-activated' power switch of Figure 17, except that NTC thermistor TH1 is used as the feedback sensing element.

The circuit is capable of maintaining room temperature within a degree or so of the value via RV1.

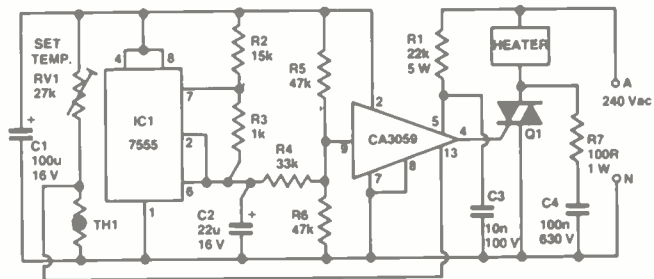


Figure 22. Heater controller giving integral-cycle precision temperature regulation.

Finally, to complete this 'heater controller' section, Figure 22 shows the circuit of a proportional heater controller which is capable of maintaining room temperatures within 0.5°C (depending on sensor placement). In this circuit a thermistor controlled voltage is applied to the pin 13 side of the CA3059's comparator and a repetitive 30 ms ramp signal, centred on half-supply volts, is applied to the pin 9 side of the comparator from CMOS astable IC1.

The action of the circuit is such that the triac is synchronously turned fully on if the ambient temperature is more than a couple of degrees below the preset level, or is cut fully off if the temperature is more than a couple of degrees above the preset level.

When the temperature is within a couple of degrees of the preset value however, the ramp waveform comes into effect and synchronously turns the triac on and off (in the 'integral cycle' mode) once every 300 ms, with a mark/space ratio that is proportional to the temperature differential.

Thus, if the mark/space ratio is 1:1, the heater generates only half of maximum power, and if the ratio is 1:3 it generates only one quarter of maximum power.

The net effect of this action is that the heater output power self-adjusts to meet the room's heating requirements. When the room temperature reaches the preset value, the heater does not switch off, but generates just enough output power to match the thermal losses of the room, giving very precise temperature control.

LAMP DIMMER CIRCUITS

Triacs can be used to make lamp dimmers, which vary the brilliance of incandescent lamps, by using the phase-triggered power control principles described in part 1. The triac is turned on and off once in each mains half-cycle, the mark/space ratio controlling the mean power fed to the lamp. All such

circuits require the use of a simple LC filter in the lamp feed line, to reduce RFI problems.

The three most popular methods of obtaining variable phase-delay triggering are to use either a diac plus RC phase delay network, or to use a line-synchronised variable delay UJT trigger, or to use a special purpose IC as the triac trigger.

Figure 23 shows the practical circuit of a diac-triggered lamp dimmer, in which R1-RV1-C1 provide the variable phase delay. This circuit is similar to that described in part 1, except for the addition of on/off switch SW1 which is ganged to RV1 and enables the lamp to be turned fully off.

A defect of the simple Figure 23 design is that it suffers from considerable control hysteresis or backlash. If the lamp is dimmed by increasing the RV1 value to 470k, it will not go on again until RV1 is reduced to about 400k, and it then burns at a fairly high

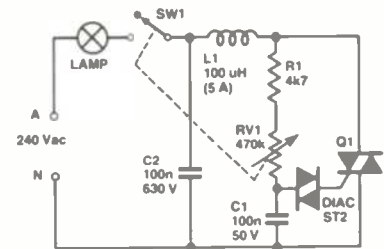


Figure 23. Practical circuit of a simple lamp dimmer.

brightness level. This 'backlash' is caused by the diac partially discharging C1 each time the triac fires.

The 'backlash' effect of the Figure 23 circuit can be reduced by wiring a 47R resistor in series with the diac, to reduce its discharge effect on C1. An even better solution is to use the gate slaving circuit of Figure 24, in which the diac is triggered from C2, which 'copies' the C1 phase delay voltage. But here, R2 protects C1 from discharging when the diac fires.

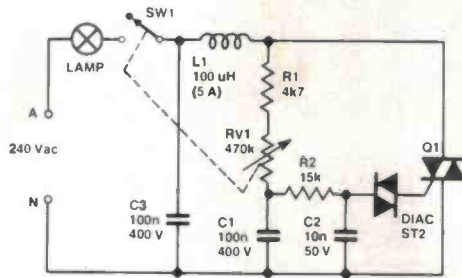


Figure 24. Improved lamp dimmer with gate slaving.

CONSTRUCTION OF L1, FIGS 23 TO 26

The core is a 30 mm long piece of 9.6 mm dia. ferrite aerial rod. Wind two layers of 20 turns, closewound, using the centre 15 mm of the core, with 0.63 mm dia. (22 B&S) enamelled wire. Cover with two layers of plastic insulation tape.

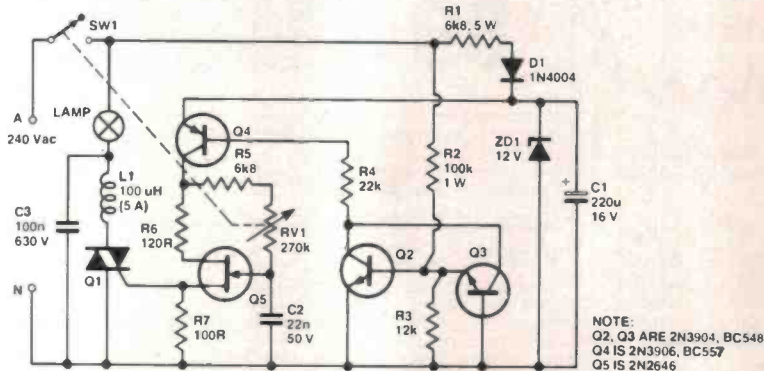


Figure 25. UJT-triggered zero-backlash lamp dimmer.

If absolutely zero backlash is needed, the UJT-triggered circuit of Figure 25 can be used. The UJT is powered from a 12 Vdc supply derived from the ac line via R1-D1-ZD1-C1. The UJT is synchronised to the mains via the Q2-Q3-Q4 zero-crossing detector network, the action being such that Q4 is turned on (applying power to the UJT) at all times other than when the mains is close to the zero-crossover point at the end and start of each mains half-cycle.

Thus, shortly after the start of each half-cycle, power is applied to the UJT circuit via Q4, and some time later (determined by R5-RV1-C2) a trigger pulse is applied to the triac gate via Q5. The UJT resets at the end of each half-cycle, and a new sequence then begins.

to go into the ramping mode, in which the lamp power slowly ramps up from 3% to 97% of maximum and then down to 3% again, and so on.

The touch pads used with this circuit can be simple strips of conductive material; the operator is safely insulated from the mains voltage via R8 and R9.

UNIVERSAL-MOTOR CONTROLLERS

Domestic appliances such as electric drills and sanders, sewing machines and food mixers, etc, are almost invariably powered by series-wound 'universal' electric motors (so called because they can operate from

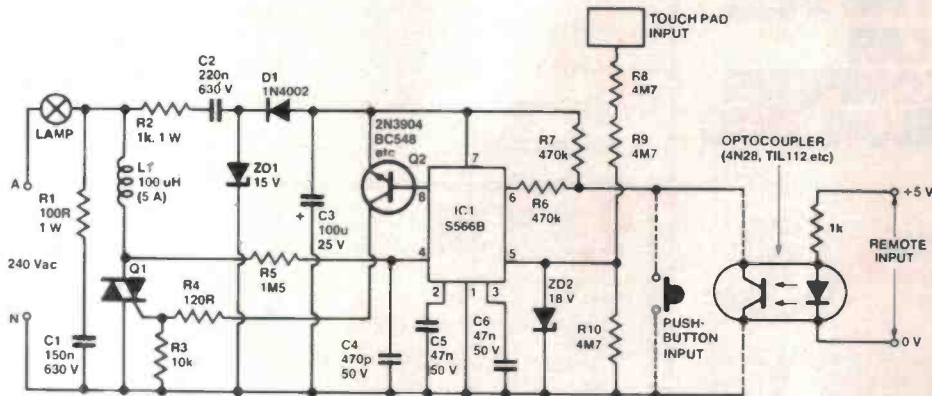


Figure 26. 'Smart' lamp dimmer controlled by a dedicated IC.

either ac or dc supplies).

When operating, these motors produce a back-emf that is proportional to the motor speed. The *effective* voltage applied to such motors is equal to the true applied voltage minus the back-emf. This fact results in a degree of self-regulation of the speed of the motors, since an increase in the motor loading tends to reduce the speed and back-emf, thereby increasing the effective applied voltage and causing the motor speed to return towards its original value.

Most 'universal' motors are designed to give single-speed operation. Triac phase-controlled circuits can easily be used to provide these motors with variable speed control. A suitable 'diac plus phase-delay' circuit is shown in Figure 27. This circuit is particularly useful for controlling lightly-loaded appliances such as food mixers, sewing machines, etc. However, you only get a limited range of control.

Electric drills and sanders are subject to very heavy load variations, and are not really suitable for control via the Figure 27 circuit. Instead, the variable speed-regulator circuit of Figure 28 should be used.

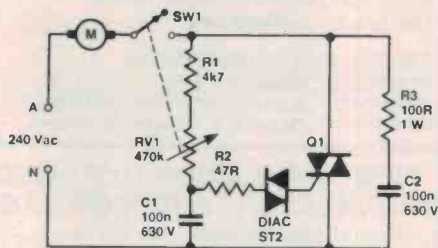


Figure 27. Universal-motor speed controller for use with lightly-loaded appliances (food mixers, sewing machines, etc).

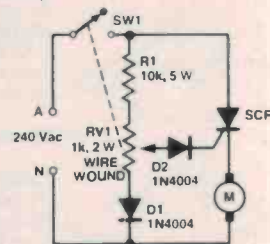
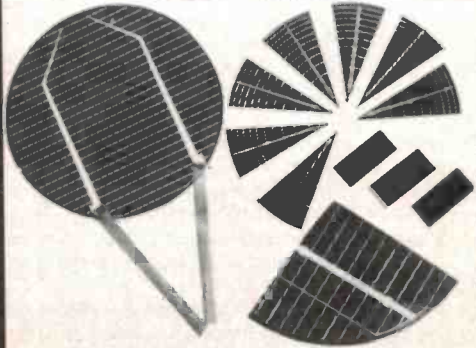


Figure 28. Self-regulating universal-motor speed controller for use with electric drills and sanders, etc.

This circuit uses an SCR as the control element and feeds half-wave power to the motor (this results in only a 20% or so reduction in available speed/power), but in the off half-cycles the back-emf of the motor is sensed by the SCR and used to give automatic adjustment of the next gating pulse, giving some speed regulation. The R1-RV1-D1 network provides only 90° of phase adjustment so all motor power pulses have minimum durations of 90° and provide very high torque.

At low speeds the circuit goes into a 'skip cycling' mode, in which power pulses are provided intermittently, to suit motor loading conditions. The circuit provides particularly high torque under low-speed conditions, but the motor 'chatters' somewhat. Like the previous circuit, only a limited range of control is provided.

JAYCAR NUMBER 1 FOR NEW PRODUCTS



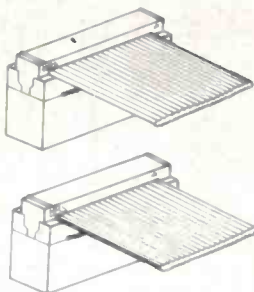
LOW COST SILICON PHOTO CELLS

We now stock a COMPLETE range of high efficiency Silicon Solar Cells. All cells will give 0.45V under rated load and they can be stacked in series or in parallel for higher current.

Cat. No	Description	Price	
		1-9	10+
ZM9002	Rect. 10x20mm 45mA	\$2.95	\$2.45
ZM9003	3" diameter 1 amp	\$29.50	\$26.50
ZM9004	3" diameter x 30° segment 78mA	\$3.50	\$3.25
ZM9005	4" diameter x ¼ segment 450mA	\$12.95	\$12.45

NEW! INSULATION DISPLACEMENT CONNECTORS & RIBBON CABLE!!

I.D. Insulation displacement. The quick and reliable way of making multiple connections to computer peripheral connectors. Great for Disc Drives, Printers etc. Crimp them yourself and save a fortune!!



- Connectors:**
 16 pin DIP HEADER Cat. PI6550 \$1.99
 24 pin DIP HEADER Cat. PI6555 \$2.50
 P.C. Edge Connector 34 way (suits 5¼" Disk drive) Cat. PI6560 \$8.50
 25 pin Cannon 'D' male Cat. PI6575 \$8.95
 25 pin Cannon 'D' female Cat. PI6576 \$8.95
- Cable:**
 16 way Cat. WM4502 \$1.50/metre
 25 way (suit DB25's & 24 way DIP) Cat. WM4504 \$2.50/metre
 34 way for Disk Drives Cat. WM4506 \$3.45/metre

COMPLETELY BUILT AND TESTED NOT A KIT!!



THE BEST CAR COMPUTER BELOW \$200

CONTAINS EQUIVALENT OF THOUSANDS OF TRANSISTORS - USES MASSIVE CUSTOM LSI CHIP TO ACHIEVE LOW PRICE

only \$199 complete

Send SAE for more information.

FEATURES

- INSTANT FUEL CONSUMPTION IN LITRES/100KM AND MPG!! (MOST OTHERS HAVE ONLY ONE OF THE ABOVE) JUST SWITCH FROM ONE TO THE OTHER AS YOU DRIVE ALONG.
- INSTANT SPEED, TIME AND OTHER FUEL DATA.
- VISUAL AND AUDIBLE EXCESS SPEED ALARM.



Video Enhancer

NOT A KIT - BUILT AND TESTED...
Cat. AV6500

\$89



Unbelievable but true. This unit enables you to actually IMPROVE a copy of a recorded video tape. How? By amplifying the top end of the video signal by a small amount. This sharpens up the detail of the picture. Dubs can actually look better than the original. Works as a video distribution amplifier as well. Will drive up to 4 VCR's from one VCR input.

VIDEO STABILISER Cat. AV6502

As many of you know, many video tapes, - especially from the USA have the sync pulses suppressed to prevent unauthorised copying of the original dub. This process is fine because it hinders unauthorised re-recording (dubbing) of material. It is annoying though when you hire the original and find that the "Copyguard" is causing problems with your TV. The AV6502 re-inserts the sync pulses automatically and restores stability. **WARNING!** The AV6502 is intended solely for the use above. Whilst the AV6502 will virtually remove copyguard on a tape copy (and hence restore the picture) it is against the law to unlawfully copy copyright material.

The AV6502 looks almost identical to the AV6500 **ONLY \$79.95**

"PANBRAKE" SHEET METAL FOLDER \$69.50



- Handles up to 16 gauge aluminium!
 - Slotted upper clamping bar allows complex corner bends etc.
 - Handles material up to 445mm wide!
- Save a fortune building metalwork yourself!!!
ONLY \$69.50

Now you can afford one in your own workshop. Make your own chassis, boxes, brackets etc. (Please allow \$8 for freight as it is very heavy!)

Motorola Piezo

We have a great range of these piezo electric horns and dome tweeters.

- Cat. AS3110 KSN 1005A 50 watt PA horn square \$16.00 each
- Cat. AS3112 KSN 1025A 100 watt PA horn rect. \$26.00 each
- Cat. AS3114 KSN 1038 50 watt Hi Fi horn round \$16.00 each
- Cat. AS3116 KSN 1039 50 watt Hi Fi dome \$14.00 each
- Cat. AS3118 KSN 1071 50 watt dual element 1 source \$24.00 each

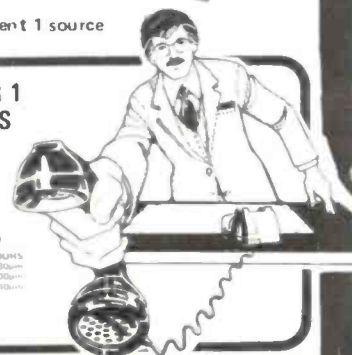


Jaycar NUMBER 1 FOR KITS

125 YORK STREET, SYDNEY 2000
PHONE 264 6688 TELEX 72293
"NEVILLES CORNER"
Cnr. CARLINGFORD & PENNANT HILLS ROAD
CARLINGFORD

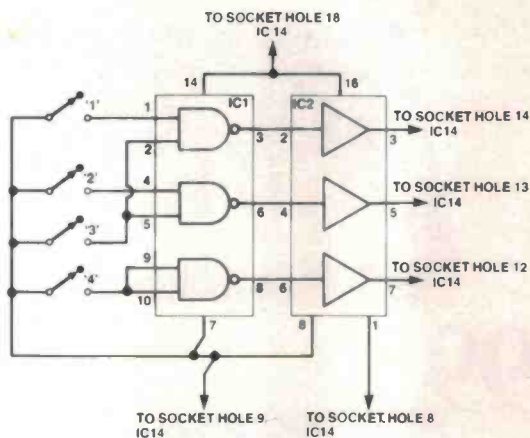
PHONE 872 4444
MAIL ORDERS TO BOX K-39 HAYMARKET SYDNEY 2000
POST AND PACKING CHARGES
\$5 \$9.99 (\$1.50) \$10 \$24.99 (\$3.20)
\$25 \$49.99 (\$4.50) \$50 \$99.99 (\$6.50)
\$100 and over \$8.00

Mail Order By **BANKCARD**
Via Your Phone



IDEAS FOR EXPERIMENTERS

These pages are intended primarily as a source of ideas. As far as reasonably possible all material has been checked for feasibility, component availability etc, but the circuits have not necessarily been built and tested in our laboratory. Because of the nature of the information in this section we cannot enter into any correspondence about any of the circuits, nor can we produce constructional details.



Second keypad for ETI-660

I.A. Curtis of Vale Park SA added a second keyboard to his ETI-660 computer so that he could enjoy two-player games.

This keyboard simply takes the place of RAM ICs 14 and 15, so take out ICs 14 and 15 (if they are in place) and store them in some conductive foam. Use thin solid core wire to plug in the keyboard to the socket IC14.

To read the value of the keyboard in a program use this program segment:

```
0600 AF00 I=0F00
0604 F165 V0:V1=MI
0604 rest of program
```

V0 and V1 now contain the value of the keyboard (lowest three bits). If no key is pressed then 0 will be returned.

Increased range for IR systems

A simple method of increasing the range of published IR projects is to place the IR LED at the focal point of a magnifying glass, says Spencer Featherstone of Toowoomba Qld.

With a little experimentation a parallel beam of light can be produced. The diameter of the beam will depend on the diameter of the lens and, in some cases, its focal length.

In theory the beam will have a constant intensity with distance and will only be attenuated by its passage through the atmosphere. In practice it is difficult to focus

the beam this accurately. However, ranges in excess of one hundred metres are possible and this means that the IR trip relay (ETI-570) can be used as a perimeter alarm, with the aid of a few mirrors.

This idea can also be applied to the IR remote control system (ETI-599). In this case it would be better to place the IR LEDs just inside the focal point of the lens to create a slightly divergent beam. While this will limit the maximum range, it will make the transmitter easier to aim over long distances.

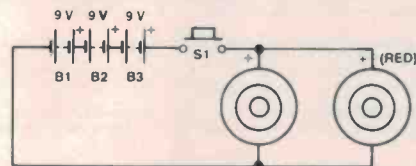


Figure 1. An ear-piercing output.

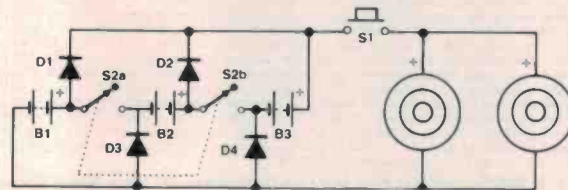
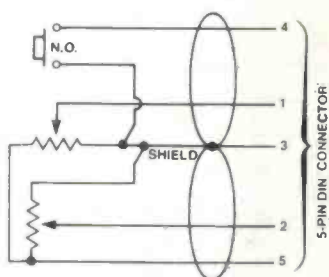


Figure 2. Moderated sound level.



Colour computer joystick

L.W. Brown of Burwood Vic. built a pair of joysticks for his TRS80C.

I used a Dick Smith 100k pot mounted inside a small plastic box. A small pushbutton of the normally open type was used for the 'kill' control. Four core shielded cable and a wide angle five pin DIN connector were used for connection to the computer.

The one difficulty with the project is that the cover of the DIN connector fouls on the TRS80C case. The solution to this problem is to solder the two metal shells of the connector together and then glue or solder the plastic cover only partially on to this.

LED bracket

An LED display with irregularities in the alignment and unevenness in the spacing between LEDs can make a project look very unprofessional.



David Samborsky of Bentleigh Vic. overcame this problem with a simple and effective method for mounting the LEDs in an array for display (typically for the ETI-438 audio level meter).

A piece of matrix board with standard spacing between the pre-punched holes was used. The pre-punched holes can be drilled slightly smaller than the diameter of the LEDs being used, so that the LEDs will fit securely into the holes drilled, without falling out.

The precise nature of the spacing between the pre-punched holes in the matrix board makes it an ideal mounting bracket for a display using an array of LEDs, as shown below.



Pea-zo whistle

A friend of a friend of M.J. Gempton of Nth Parramatta NSW referees local soccer matches on weekends. This referee friend suffers from asthma and even though he is just able to keep up with the play, can only wheeze into his whistle instead of blowing it. M. Gempton was inspired to help.

The solution required something small, efficient, battery operated, having a high output and natural sound. I thought of a modulated piezo transducer, found the device I was after in Dick Smith's catalogue, and bought two in case one was not loud enough. Then I realised that the two transducers were of slightly different frequencies and the resulting beat produced an excellent rendition of a high pitched pea whistle.

When operating on three 9 V batteries in series (27 V) the sound level was quite deafening, so the lower output option, as shown in Figure 2, using all bat-

teries in parallel, was developed. To keep it small a DPST switch was used. With parallel operation there is, of course, the voltage drop across a forward biased diode but with S2 closed (series operation) all diodes become reverse biased and the full 27 V is available.

For anyone with the application, this series/parallel idea can easily be expanded for N batteries using a single throw switch with N-1 poles and 2(N-1) diodes.

The only special component is the transducer (DS cat. no. L-7024). The diodes used were 1N4004s because they were on hand but anything similar would do.

The original 'Pea-zo whistle' was housed in an aluminium case approximately 52 mm x 25 mm x 140 mm and, when presented to the referee, was gratefully received. That weekend, however, he was laid up in bed, voiceless, so he first used his new whistle for paging his wife.

MORE OF THE BEST

MICROSYNTH

COMPACT MUSIC SYNTHESIZER Kit Cat. KJ6002

Equally suited to home, studio or stage use, the Microsynth has resulted from an extensive re-think of what is required from a synthesiser. Its compact and economic design achieves high performance at low cost without sacrificing versatility or musical stability.

A highly efficient switched routing system for signals and/or control voltages is capable of rapid operation for live work, yet unlike other small synthesizers does not restrict the possibilities for complex sound creation. Despite its small size, the Microsynth can produce startlingly rich sounds owing to the number of waveforms available, together with the sub-octave voices. It is capable of advanced effects such as Ring Modulation as well as rhythmic "staircase" or random patterns.

Operates in two modes depending on the configuration of the second oscillator (VCO2), which can either run at audio frequencies or as a voltage controlled low frequency oscillator (LFO). In audio mode, VCO2 will track VCO1 perfectly over its entire range. A Thumbwheel allows manual control of oscillator pitch or filter cut-off frequency, depth of LFO modulation, etc., and internal power amplification will drive headphones or a monitor loudspeaker.

SPECIFICATIONS (BRIEF)

* Keyboard - 2½ octaves (30 notes) may be stepped through 5 octave range from J6' to 1' using the "Range" switch.
 * VCO1 - 10Hz to 10kHz, triangle output to VCA, ramp and square outputs to VCF. * VCO2/LFO - VCO mode 10Hz to 10kHz. LFO mode 0.1Hz to 30Hz. * Sub octaves - 2 divide-by-2. * Noise - white noise source with level control. * Envelope - attack and release times variable 0 to 10 seconds. * Retrigger - causes the envelope shaper to retrigger itself with a repeat time equal to the sum of the attack and release times. * Sustain* operates in 3 modes, manual, auto and hold.
 * VCF - state variable filter with manual control of roll-off frequency. * VCA - controls output volume of synthesiser.
 * Sample and Hold - analogue memory samples instantaneous output voltage from VCO2/LFO each time envelope ends.
 * Sweep * Thumbwheel - Manual level control. * Power amp - output 2 watts into 8 ohms plus headphone socket.
 * Sequencer socket. * Size: 19" x 14" x 5". Weight: 10lb. Power: 240V AC 5W.



\$ 399

BAND-BOX Kit

Cat. KJ6604

LIVE PERFORMANCE - Feed in, store, and play complete Music Pad of around 60-100 Backing Scores up to a total of approximately 3,000 Chord changes, each up to eight Beats in length, on more than 120 different chords.

Program Intros, Chorus Repeats, Codas, Key changes and modulations on single or multi-tune sequences. Use simple Playback procedures for live performance, including optional foot operated controls.

PRACTICE SOLOISTS - Instrumental or Vocal Soloists grow to full four piece BAND performance played in any Key, Tempo, and Rhythm style for demanding practice sessions with unlimited, but controlled, Chorus repeats.

ELECTRO-MUSIC RECORDING/COMPOSITION - Full Chord sequence and Rhythm programmability for three instrumentalists enables creative Composing and Arranging for both Professional and Amateur applications.

SPECIFICATIONS (BRIEF)

* Music simulation capacity - three backing instrumentalists. Over 3,000 programmable stored chord changes. 132 different chords plus additional inversions. * Chord instrumentalist - four note chords, four waveform options, four envelope options sixteen permutations for piano, organ etc, twenty four programmable rhythm patterns. * Bass instrumentalist - four voice/envelope combinations, eight rhythmic figures. * Drums - twenty four programmable patterns, eight tracks selecting eleven instrument sounds. Sticks, brushes & Latin American. Sequence operation up to 16 bar repetition. * Playback facilities - keypad selection of score, display of selected score, variable tempo, switched selection of any key, in-play changes to key, tempo and all instrument voices, rhythmic patterns and levels, bar down beat indicator, all-beat indicator, unlimited chorus repeats, Coda key to cancel repeats, automatic stop, manual instant stop, automatic reset to beginning of selected score, measures/beat selectable to match 4 drumming styles. * Composition facilities. * Composition instructions. * Pre-recorded scores. * Musical compass - Tuning range - one semitone, use alternative key for gross pitch change. Bass compass - 16 notes, F1 to G2 34Hz to 104Hz, chord instruments - 18 notes E3 to A4 165Hz to 440Hz, automatic chord inversion to fit compass. * Percussion instruments - Bass drum, low & high tom toms, snare, drum, rim shot, cymbal, long & short brushes, high bongo, claves, and accent for dynamics. * Operator interfaces - numerous. * External socket - numerous. * Size: 19" x 11" x 4 7/8" overall. Weight 11lb. Power requirements: 240V 6W.



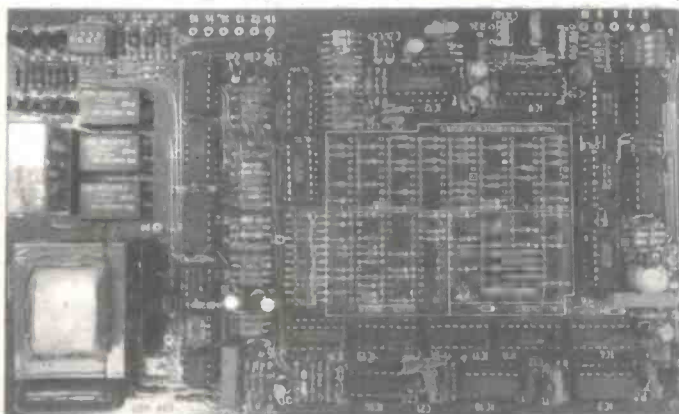
\$ 699

WHAT A BOO - BOO! For the last 2 months we have been advertising the Band Box. We stated that the Master Rhythm Kit was \$199 on top of the basic kit price. **THIS IS TOTALLY WRONG!** The Band Box kit DOES include the Master Rhythm kit at \$699 - a totally different prospect - WE APOLOGISE FOR THE ERROR.

ETI 644 direct connect modem

Ref: ETI October 1982

"NEW UPGRADED MODEL FEATURING THE LATEST IMPROVEMENTS AND MODIFICATIONS"



Two models (i) Short Form which contains ALL PCB components as specified by ETI (BEWARE!!!). The genuine ETI PCB with plated-thru holes, solder mask and component overlay is supplied. We also supply at NO EXTRA CHARGE a full set of quality IC sockets. A must with plated-thru PCB's - Remember this when making comparisons (ii) Full kit, includes: all of the above plus 12V plug-pack, case, front panel, switch and LED (azel and Cannon DB-25 RS-232 connector. Makes a complete stand alone modem. * Capable of a range of Answer/Originate operating modes. * Selectable Baud rate. * Software controlled. * Uses new patented technique. * More reliable and faster than most acoustic modems. Arlec transformer as used in this project only \$22.00

SHORTFORM KIT

\$ 169
FULL KIT
\$ 189

Function Generator

Ref: EA April 1982

FREE! TILTING
SAIL WORTH
\$4.95 included

\$ 99



"Pigeon Pair" companion to the new 500MHz DFM. Low distortion generator of sine, square and triangular waveforms. From below 20Hz to over 160kHz. Inbuilt 4 digit frequency counter in de-luxe Pac-Tec case. Only \$85

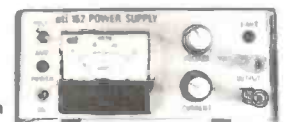
JAYCAR EXCLUSIVE - 1% 50ppm metal film resistors used for stability and it's still only \$85!!!

0-30V 1amp power supply

Ref: ETI December 1982

- Fully protected
- Output variable from 0-30V DC
- Selectable current limit
- Both voltage and current metering
- After a multimeter & soldering iron an absolute must for the enthusiast.

You will never own a more useful piece of gear.

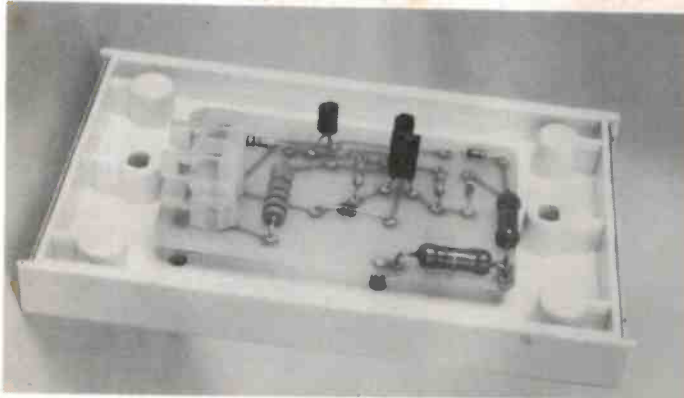


\$ 49.50 complete

-KITS BY

JAYCAR

NEW Touch Sensitive Light Dimmer



Ref: EA April 1983
Complete kit including quality HPM wall plate with attractive brushed metal insert.
The Jaycar kit is absolutely complete including a small dial spring which can be used to connect the PCB to the wall plate. (Beware of other kits that do not include this).
In addition to the above, we supply the High Voltage Resistors ALREADY SOLDERED in as a foolproof safety feature!
Buy the complete kit for this exciting project for only
Cat. KA-1508

only \$19⁹⁵

AS DESCRIBED ETI MAG. APRIL 1983

ROBOTICS

JAYCAR - FIRST IN AUSTRALIA WITH THE VERY LATEST IN THE FIELD OF ROBOTICS

Jaycar is the first major electronics company in Australia to stock useful robots in kit and built-up form.

MICRO GRASP



ONLY \$499

The Micro Grasp is the first low cost true robot. Basically the unit has an articulating arm (mounted at the shoulder, elbow and wrist positions). The entire arm rotates on its base and has a motor driven gripper at the end of the arm. Each of the arm movements is SERVO CONTROLLED so there are position sensors feeding back information to the interface board where it is compared with the programmed in instruction position. Any positional error is automatically and continuously corrected. This servo action is independent of the computer, simplifying greatly the software to drive the robot. All programming is carried out with a small number of common BASIC commands. The interface board is memory mapped using only 64 bytes at any of the 1024 basic micro locations.
Control of the Micro Grasp as a computer peripheral is accomplished thru the parallel expansion port of most small computers. To keep the cost to an absolute minimum and to increase the learning factor the Micro Grasp is supplied in a self-assembled kit. All components down to the last nut and bolt are included, as is the power supply.

MICRO GRASP KIT INCLUDING POWER SUPPLY Cat. KR1000 - SPECIAL INTRODUCTORY PRICE \$499.00
UNIVERSAL COMPUTER INTERFACE BOARD (in kit form) Cat. KR1010 ONLY \$179.00 (not required for Sinclair ZX81 computer)
23 - 23 way edge connector at \$8.95 ZX-81 peripheral/RAM pack splitter board \$10.95
CALL IN TO OUR YORK STREET SHOWROOM AND SEE WORKING!!

STEREO SYNTHESIZER NEW ECONOMY SHORT FORM KIT



All parts necessary to construct this project to PCB stage.
(Please note that plug pack and case are extra).
A great project for the Stereo HI FI lovers. Turns mono sound into realistic "stereo"
Cat. KA-1510

NEW \$11⁹⁵

8 CHANNEL MIXER KIT

- Balanced (600 Ohm) Mic. Inputs/Line Inputs.
- Cannon Connectors included in the price.
- Bass, Mid & Treble Equalization on each Input.
- "Effects" (i.e. Echo etc.) capability.
- Foldback and Stereo Pan on ALL 8 Inputs.
- 60mm Slide Faders used throughout.
- 19" Rack Mount capability (or Console Mount).
- Professional Black Front Panel with Format borders & multi-coloured knobs to assist function identification.
- VU Metering.

FEATURE PROJECT IN APRIL EA



FROM \$495

The Jaycar 8002 Mixer was originally conceived to be the successor to the very popular ET1414 Master Mixer. The 414 was basically configured as a 'stage' mixer and suffered from a number of severe technical limitations - notably poor signal-to-noise figures. Enormous advances in Audio IC's have occurred since the 414 was designed. Jaycar engineers have taken advantage of this. The incredibly low noise and distortion figures of the 8002 are a testimony to the sound basic design of the mixer coupled with the performance capability of these IC's. Whilst the 8002 is the ideal 8 channel compact stage mixer, other applications have been kept in mind. AS A "STUDIO" MIXER. The prime requirement of a studio mixer is that it must be quiet - i.e. have good S/N. Due to the fact that the "miracle" 5534 IC's are used in the 8002 studio applications are entirely feasible. In addition to this, metal film resistors are used in critical signal areas.
AS A DISCO MIXER. The balanced input feature of the 8002 is not really necessary for disco use. This section can easily be bypassed with either a moving magnet (Dynamic Cartridge) preamp, or a moving coil preamp. The sensible format of the 8002 and tremendous equalization facilities should make this mixer popular for disco use.

Digital Thermometer



EA2/82

Read the temperature in your room (or outside) from 0 degrees C to 100 degrees C in fact to within 0.1 degree C. Fantastic resolution on a bright easy-to-read display. Includes case.

\$69

DIGITAL CAPACITANCE METER

Ref: EA3/82

This kit once again uses the amazing DPM 200 LCD /driver module. Capable of measuring capacitance from 1pF to 19,99uF. It is a must in every workshop or lab.



\$69

AMAZING VALUE

Jaycar NUMBER 1 FOR KITS

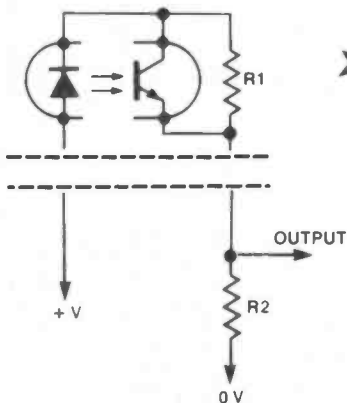
125 YORK STREET, SYDNEY 2000
PHONE: 264 6688 TELEX: 72293
NEVILLES CORNER
CHR. CARLINGFORD & PENNANT HILLS ROAD,
CARLINGFORD
PHONE: 872 4444
MAIL ORDERS TO: BOX K-39 HAYMARKET, SYDNEY 2000
POST AND PACKING CHARGES
\$5 - \$9.99 \$15.50 \$20 \$30 \$34.99 \$52.20
\$75 - \$49.99 \$54.50 \$150 \$99.99 \$150 \$100 up \$18.00

NEW SHOP HOURS
Fri 9.30 to 6.30pm
Sat 10.30 to 12.00pm
Thank you to B. J. Dunn

Mail Order By **BANKCARD**
Via Your Phone



IDEA OF THE MONTH



★ Two wires for opto-switch ★

F. Arfort, Melton South, Vic.

Here's a simple way to run two wires instead of four to a remote opto-switch, as in the case of a wind speed indicator which provides pulses proportional to the rotational speed of a perforated disc.

An opto-coupler consisting of a LED and a phototransistor, either of the packaged variety or made from discrete devices, normally requires four connections. However, twin-pair cable is common, cheap and convenient and it's more economical (and more elegant) to use two wires rather than four for a remote sensor.

The further away the sensor may be located from the indicator, the more attractive a two-wire system becomes.

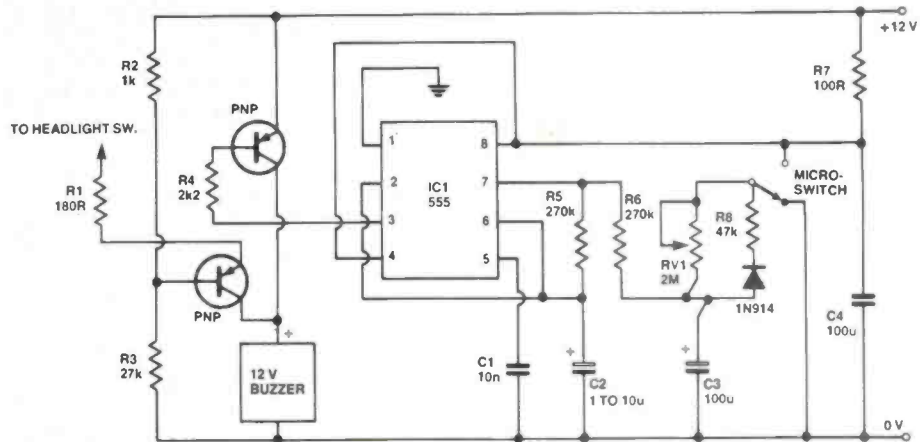
In the circuit, resistor R1 provides a 'starting' current for the LED. Current through R1 and R2 will provide a certain dc level at the output when the path between the LED and phototransistor is blocked. When the path is unblocked, the phototransistor saturates, virtually shorting out R1, thus providing more current through R2, increasing the output dc level. This change can be sensed and used as required.

Choke and headlight warning

D.K. Modra of Elizabeth South SA kept forgetting to push in the choke and/or switch off the headlights of his car. So he designed this circuit to sound a buzzer intermittently, after a preset period, when the choke button had been pulled out.

The microswitch is mounted on the carburettor so that C3 slowly charges up via RV1. When the voltage on C3 reaches two thirds of Vcc IC 555 operates in an astable mode as long as the choke control is 'out'. Oscillation ceases when the choke button is pushed in, discharging C3 via R8 and the diode.

The buzzer sounds continuously if the lights are left on after the ignition is switched off.



'IDEA OF THE MONTH' CONTEST

NEW PRIZE! WORTH \$90!

COUPON

Cut out and send to: Scope/ETI 'Idea of the Month' Contest, ETI Magazine, 140 Joynton Ave, Waterloo NSW 2017.

"I agree to the above terms and grant Electronics Today International all rights to publish my idea in ETI Magazine or other publications produced by them. I declare that the attached idea is my own original material, that it has not previously been published and that its publication does not violate any other copyright."
* Breach of copyright is now a criminal offence.

Title of idea
Signature
Name
Date
Address
Postcode



Scope Panavise Multi-purpose Work Centre.

Scope Laboratories, who manufacture and distribute soldering irons and accessory tools, have offered to sponsor a contest with a prize to be given away every month for the best item submitted for publication in the 'Ideas for Experimenters' column — one of the most consistently popular features in ETI. Each month we will be giving away a Scope Panavise Multi-purpose Work Centre, Model 376/300/312, comprising a self-centering head (376), standard base (300) and tray base mount (312), all worth about \$90! Selections will be made at the sole discretion of the editorial staff of ETI Magazine. Apart from the prize, each winner will be paid \$10 for the item published. You must submit original ideas of circuits which have not previously been published. You may send as many entries as you wish.

RULES

This contest is open to all persons normally resident in Australia with the exception of members of the staff of Scope Laboratories, Murray Publishing, Offset Alpine, Australian Consolidated Press and/or associated companies.

Closing date for each issue is the last day of the month. Entries received within seven days of that date will be accepted if postmarked prior to and including the date of the last day of the month.

The winning entry will be judged by the Editor of ETI, whose decision will be final. No correspondence can be entered into regarding the decision.

Winner will be advised by telegram the same day the result is declared. The name of the winner, together with the winning idea, will be published in the next possible issue of ETI.

Contestants must enter their names and address where indicated on each entry form. Photostats or clearly written copies will be accepted but if sending copies you must cut out and include with each entry the month and page number from the bottom of the page of the contest. In other words you can send in multiple entries but you will need extra copies of the magazine so that you send an original page number with each entry.

This contest is invalid in states where local laws prohibit entries.

Entrants must sign the declaration on the coupon that they have read the above rules and agree to abide by their conditions.

SHOP AROUND

This page is to assist readers in the continual search for components, kits, printed circuit boards and other parts for ETI projects and circuits. If you are looking for a particular item or project and it is not mentioned here, check with our advertisers.

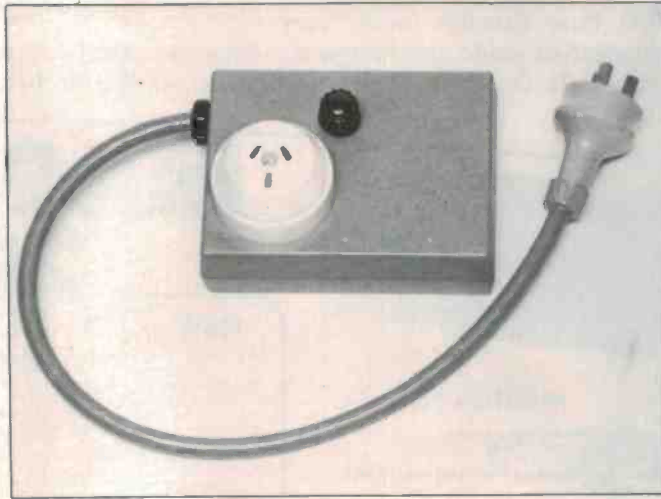
ETI-1515 motor speed controller

This simple, inexpensive project should be very popular and it has wide support among the kit suppliers. Suppliers indicating they'll be supporting the project include: **Altronics** (Perth), **Dick Smith stores** (all over), **Electronic Agencies** (Sydney, two stores), **Jaycar** (Sydney, two stores), **Rod Irving Electronics** (Melbourne) and don't forget to try **All Electronic Components** in Melbourne while you're shopping around.

If you're putting the project together from parts largely on hand and just need a few of the bits, the following suppliers may be able to fill your requirements: **Billco** (Melbourne), **David Reid** (Sydney), **Delsound** (Brisbane), **Diggerman** (Sydney), **Ellistronics** (Melbourne), **Kalex** (Melbourne), **Magraths** (Melbourne), **Moss Components** (Sydney), **Radio Despatch Service** (Sydney) and **Truscotts** (Melbourne). Printed circuit boards are available from the suppliers listed on page 50 of the March issue.

ETI-733 RTTY-computer decoder

Turn your computer into a 'glass teletype'! It's easy. There's nothing unusual about this project,



Fast or slow. The ETI-1515 Motor Speed Controller promises to be a fast-moving kit. It uses all bog-standard components and features performance not seen in other speed controllers.

both the 4046B and the LM324 are commonly available, as are centre-zero (stereo balance) meters. Kits will be available from **Rod Irving Electronics** and **Jaycar**. You could also try **All Electronic Components** in Melbourne.

Printed circuit boards are available from the suppliers listed on page 50 of the March issue.

DVM modules

The DPM-05 LCD digital voltmeter module featured in Lab Notes this month is imported and

distributed by **Jaycar**. Apart from **Jaycar's** two Sydney stores, you'll find DPM-05 modules stocked by **Altronics** in Perth, **Electronic Agencies** (Sydney, two stores), **Ellistronics** and **Rod Irving** in Melbourne plus **Tomorrow's Electronics** in Gosford (NSW).

For those who'd rather build a DVM from the ground up and use the ETI-161 LCD Digital Panel Meter module (August '82), kits are stocked by **Dick Smith Electronics** (stores all over), **Rod Irving Electronics** (Melbourne) and **All Electronic Components** (Melbourne).

New Altronics/Jaycar dealer

Popular NSW central coast electronics dealer, **Tomorrow's Electronics**, has been appointed a dealer by two of Australia's 'big' kit and component suppliers — **Altronics** and **Jaycar**.

Tomorrow's Electronics will be stocking many of the popular lines marketed by these two firms.

The store is located at 68 William St, Gosford. Call in and see owner Cliff Strathearn and his friendly staff for your requirements in electronic bits, kits and products, or phone (043)24-7246.

ETI-648 Micro-Grasp

This is a fully-imported kit, produced by **Powertran** in Britain, imported and distributed here by **Jaycar**. Space requirements within the magazine and production time necessitate the project being split over two months. However, a small instruction manual is provided with the kits. This month in ETI we present full mechanical construction details plus an explanation of how the electronics works. Next month electronic construction detail will be completed and we'll include programming hints and tips. The complete kit is available from **Jaycar**, or through **Jaycar** agents, for about \$500.

BILCO ELECTRONICS

SHOP 2, 31 PULTNEY STREET, DANDENONG, VICTORIA, 3175. TELEPHONE (03) 791 8655

Why not call in and see for yourself how good the ETI 660 build-your-own computer performs. For \$100 it has to be the best value for money on the market.

We stock all current EA and ETI P.C. boards and components to suit.

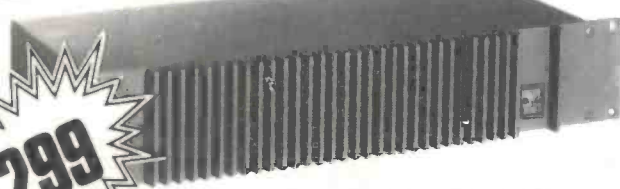
We also stock a large range of EMOs and TTL ICs and as we can supply Fairchild, Motorola, National and Texas Instrument we are the only one stop IC shop.

Friday nights from 6.30 to 9.00 have developed into help with your projects nights — so come along.

SO PURE, IT'S WICKED

The ETI 5000 System. Pristine. Pure. Cocaine for the ears. And to think that they are Australian made and designed. They can stand comparison with any kit or ready-built available — anywhere. In fact we still think that they are the world's best amplifiers. We should be justifiably proud of this achievement in Audio.

\$299



MAGNUM 200

NEW! — LOW COST 5000 SERIES AMP

Now we have 2 models of the fabulous 5000 series amplifier. The original "Black Monolith" which is the total no-compromise refinement of this magnificent design. Unfortunately due to massive sales-tax increases and cost increases we had to put the price up to \$319 in January. At this price we still felt that it is excellent value for money, however some people claim that they cannot afford to pay this much. So we have a new economy model which we called the "MAGNUM 200".

The Magnum 200 still has such exclusive features as the Superfinish heatsink front panel. It has the following exceptions from our Black Monolith: — Standard Heatsinks (the original design) on the BF469/470 driver transistors — No ventilation grilles in the case — Standard mica washers instead of Beryllium Oxide TO-3 washers — Single 3-pin DIN AC outlet. But that is ALL that you miss out on! So why compromise yourself with the inferior kits when you can now get a superior Jaycar kit for no more? The Magnum 200, 200 watts of power with IDENTICAL performance figures to the Black Monolith is only \$299! If you still want the Black Monolith it is available for \$319. APRIL SPECIAL! Buy the 5000 "Blueprint" preamp and the Black Monolith this month for ONLY \$599 (The Magnum 200 and Superfinish only \$579)

SPECIFICATIONS

POWER OUTPUT Around 100W RMS into 8 ohms
FREQUENCY RESPONSE 8Hz to 20kHz, +0 — 0.4dB
 2Hz to 65kHz, +0 — 3dB
 Note: these figures are determined solely by passive filtering

INPUT SENSITIVITY 1V RMS for 100W output
MUM — 100dB below full output (flat)
NOISE — 116dB below full output (flat, 20kHz bandwidth)
2nd HARMONIC DISTORTION <0.001% at 1kHz (0.0007% on prototypes) at 100W output using a +56V supply rated at 4A continuous
3rd HARMONIC DISTORTION <0.003% at 10kHz and 100W
TOTAL HARMONIC DISTORTION <0.0003% for all frequencies less than 10kHz and all powers below clipping
INTERMODULATION DISTORTION Determined by 2nd harmonic distortion (see above)
STABILITY <0.003% at 100W (50Hz and 7kHz mixed 4:1)
 Unconditional

Cat. KE4200

We regret to advise that among other things, metal-work and sales tax increases have forced us to increase our prices slightly. Whilst we could have kept our costs down by using inferior components, we refused to take this course of action.

5000 SERIES GRAPHIC EQUALISERS

\$299



Cat. KE4202

Latest addition to the thoroughbred 5000 Series stable! David Tillbrook has once again produced a 'No Compromise' design. This new component, a 1/3 octave equaliser, gives you ABSOLUTE CONTROL over the acoustics of your particular listening environment. You get 3 SEPARATE CONTROLS for every octave of audio bandwidth to virtually eliminate the subtle nuances that are particular to your listening area. 1/3 octave equalisers have been used by professional engineers in Recording Studios and Live Concerts for over a decade now. It is no accident that the advent of the 1/3 octave equaliser and studio quality live sound have gone hand-in-hand. BUT THERE'S A CATCH. One of these equalisers is not enough. You will have to buy 2 (for stereo). Quite a lot of money — but worth it if you want the best. The Jaycar kit includes a fully pre-punched plated chassis, pre-punched heavy gauge front panel with silkscreened front panel to match the other 5000 components. It is absolutely original. You can purchase the kits one at a time for \$199 each or, for two, \$389 — a \$10 saving. If you are one of the hundreds of happy 5000 users we are convinced that you will be just delighted with this unit.



SPECIFICATIONS:
 Signal-to-Noise: —102dB with respect to 1 Volt
 Frequency Response: 12Hz — 105kHz to —1dB
 Boost/Cut: 14dB (28dB total)
 Distortion: 100Hz-0.067%
 1kHz-0.007%
 10kHz-0.008%
 (essentially Irrespective of cut or boost)
 Current consumption (DC) Approx 100mA @ ±15V (Requires 30V AC CT)
 Output short-circuit proof.

\$199

BUY 2 AND SAVE \$10 — ONLY \$389

AUSTRALIAN (NOT HONG KONG) MADE — SPECIAL BUILT RACK CABINET — QUALITY!!!

ALL IC SOCKETS PROVIDED

Cat. KE4204

"BLUEPRINT"

"One Swallow does not make a spring"

Neither does a few gold RCA sockets!

Several of our competitors are imitating our "Blueprint" preamp by adding a few bits and pieces, notably gold plated RCA sockets to their standard kits. Unfortunately they have missed the point. We supply gold plated sockets in our "Blueprint" preamp but only where it makes sense to do this, i.e. on the inputs — NOT the outputs. 16 gold sockets are provided by us. This, however, does not make a "Blueprint". THIS ODES:

- Low capacitance screened cable — 12 metres of it, NOT Taiwanese cable as supplied in other kits. Our cable costs us NEARLY 5 TIMES MORE than the Taiwanese stuff!
 - Original ETI designed front panel. Not an "ADAPTION". Our front panel is by far the nicest.
 - Factory pre-timed PCB's to reduce chances of dry or noisy solder joints.
 - Quality LEDs, polished finish, multicoloured display.
 - IC sockets on line amp board.
 - Special rear panel.
 - Special low noise selection LM394H NOT CH device in MC. preamp.
 - Thermalloy (U.S. made) heatsinks on 7805 regulator.
 - English Lorlin selector switches
 - Apart from the 16 gold RCA's we throw in a pair of gold plated line RCA plugs — worth \$5.
 - Special Nylon rear panel grommets.
- So don't "Swallow" the facts before they are properly digested!!
 You can't make a silk purse out of a sow's ear. Send SAE for full specs.

FUNCTIONS

- MOVING COIL INPUT
- MOVING MAGNET IDYNAMIC CART 1
- INPUTS (2 OFF)
- TUNER INPUT
- AUX INPUTS (2 OFF)
- TAPE INPUTS (2 OFF)
- INPUT LEVEL CONTROL
- TAPE OUTPUTS (2 OFF)
- 600Hz CALIBRATION OSCILLATOR
- LED AVERAGE (VU) & PEAK
- LEVEL METERS —48dB TO +9dB

- MODE SWITCH, STEREO
- BALANCE CONTROL
- LINE OUT, MONITOR OUT, MONITOR VOLUME CONTROL

FEATURES

- EXTREMELY CLOSE TRACKING TO RIAA PHONO EQ
- GOLD PLATED CONNECTORS ON ALL INPUTS
- ENGLISH 'LORLIN' LOW NOISE SELECTOR SWITCHES

- LOW NOISE 1" 50µm METAL FILM RESISTORS USED
- TINNED FIBREGLASS PCB'S
- LOW CAPACITANCE SCREENED CABLE USED THROUGHOUT
- QUALITY I.C. SOCKETS
- SPECIAL REAR PANEL
- MULTICOLOURED RECTANGULAR LED USED

Jaycar NUMBER 1 FOR KITS

125 YORK STREET, SYDNEY 2000
 PHONE 264 6688 TELEX 72293
 "NEVILLES CORNER"
 Cnr. CARLINGFORD & PENNANT HILLS ROAD,
 CARLINGFORD
 PHONE 872 4444

MAIL ORDERS TO BOX K-39 HAYMARKET, SYDNEY 2000
 POST AND PACKING CHARGES \$5 — \$9.99 (\$15.50) \$10 — \$24.99 (\$32.50) \$25 — \$39.99 (\$54.50) \$50 — \$99.99 (\$150.00) \$100 and over (\$180.00)

NEA SHOP HOURS
 Mon. — Fri. 9.30 to 5.00pm
 Sat. 9.30 to 12.00pm
 Thurs. 9.30 to 12.00pm

Mail Order By BANKCARD Via Your Phone



Drake's progress

Drake equipment first came to notice in the late '50s when single sideband was a controversial 'new' mode on the amateur bands. To own Drake meant you were 'serious' about high performance.



Who remembers the Drake 1A, or the Drake 2B receiver? For valve equipment, they were economically designed but gave top performance on the air. What has solid-state wrought?

Well, it has wrought a great deal in some areas, but few gains have been made in others. That goes irrespective of a rig's pedigree.

Drake's TR5 HF transceiver is a typical example of modern solid-state amateur gear. Operating SSB and CW over all the HF amateur bands, including the new 10, 18 and 24 MHz bands, plus the 1.8 MHz band, it features a broadband front end and power output stage so that the only

tuning control is the VFO. Frequency display is digital, directly in kilohertz.

Receiver sensitivity is quoted as 0.5 uV for 10 dB S+N/N while two-tone dynamic range is given as 85 dB and third-order intercept as 0 dBm. That's a pretty fair performance spec.

On transmit, power input is given as 150 W PEP or max. CW with spurious quoted as greater than 40 dB down. Carrier suppression is given as -50 dB and undesired sideband as -60 dB.

A passive double-balanced mixer is employed in the receiver front end, preceded by a low noise, high dynamic range bipolar rf amplifier.

You can select an optional crystal filter independent of the MODE switch. A wide range of filter bandwidths are available, and installation can be accomplished in minutes. The standard bandwidth is 2.3 kHz, automatically selected in transmit.

All the usually-required controls are there on the front panel: VOX, RIT, METERING, GAIN(s), MODE, BAND etc. Full break-in CW operation is obtained via a switch on the VOX DELAY. Provision is there for a noise blanker — which is optionally available.

The TR5 is a well-engineered, solidly constructed unit. Modular construction is employed — a great plus for servicing. Each module is designed to perform a specific function, and the open, accessible layout of the transceiver greatly simplifies any required alignment and troubleshooting.

The handbook is clearly written and well illustrated. A circuit and servicing information is included.

On the air (as VK2ETI, of course!) the TR5 acquitted itself very well. Audio quality was reported as very clear, excellent etc. CW was clean. Working the DX was no problem, except in pile-ups where we had to compete with many stations running high power and big beams.

As an acid test of the transmitter, we loaded the unit into a

long wire via an L-coupler with two variable Cs and a roller inductor. The VSWR, as you could imagine, would commence off-scale, but the TR5 didn't object once. The test was repeated on a short vertical with similar results. Drake sure have made the output stage tolerant! Getting rid of those 'tune' and 'load' controls (and RF peak) is very convenient.

On receive, the TR5 pulled in the signals as you'd expect. We compared it to an ancient Galaxy V (valve) rig — and there was no discernible difference between them; well, perhaps a little more bass end on the audio from the Galaxy!

Overall, the TR5 is a very simple rig to operate. Convenience and operator facilities — that's Drake's progress.

The TR5 can be operated from a 12 Vdc supply or a choice of two 240 Vac supplies (optional extra — PS7, \$499 or PS5, \$299). Note that the microphone is optional too. There are several models to choose from.

The TR5 sells for \$1594, plus sales tax, which puts it somewhat behind the eight-ball in a very price-sensitive market. However, if what you desire is well-engineered, American made gear, the TR5 is worth a very close look.

Contact Elmeasco, P.O. Box 30, Concord NSW 2137. (02) 736-2888. Branches in Melbourne, Brisbane, Adelaide and Perth. ●

Bright Star Crystals Pty. Ltd.

PO Box 42, Springvale.
Ph (03) 546-5076 Telex AA36004

Manufacturers of

PIEZO ELECTRIC CRYSTALS

Contractors to Federal and State Government Departments.

REPRESENTATIVES:

NSW: Master Communications,
27 Woodville Rd., Granville N.S.W.
(02) 682 5044.

SA: R.W. Electronics, 51 Woodville Ave.,
Riddleton S.A. (08) 464 571.

Send SAE for new catalogue or quote for your requirements.

36 years in the business

AND STILL ON TOP

QLD: Fred Hoe & Sons P/L, 246 Evans Rd., Salisbury North, Brisbane.
(07) 277 4311.



CRYSTAL UNITS

- Decade Counting Units to 1 Hz.
- Wide Band Amplifier for your counter, 1MV sensitivity, band width 1-250 MHz.

Radioteletype-computer decoder

This simple project allows you to hook up your MicroBee to a receiver and print radioteletype messages on the VDU screen. A simple bit of software does the decoding. The project can also be adapted for use on other Z80-based systems.

Tom Moffat VK7TM
39 Pillinger Drive, Fern Tree, Tasmania 7101

IF YOU OWN a MicroBee, or other Z80-based computer, you can now set up your own teletype listening post. But you can forget the old bucket of bolts teleprinter, the computer now serves that purpose.

Besides the computer itself, you'll need to write in the 'Bees parallel input port, build the new ETI-733 RTTY decoder and have a decent HF receiver capable of copying single sideband signals.

You may remember, back in August 1979, a project called the ETI-730 Radioteletype Converter. That design worked well then and it works well now. It's still quite current and it appears that hundreds of them have been built around Australia. This new design is meant to complement the ETI-730. Under rough reception conditions, the '730 will win every time, but under reasonable signal conditions the ETI-733 comes out ahead in ease of operation, speed range and general usefulness. Perhaps a head-to-head comparison is in order; see Table 1.

The performance differences are due to completely different design concepts. The purpose of a decoder is to turn a varying audio tone into a dc voltage proportional to the incoming tone frequency. In the case of radioteletype there are only two frequencies representing two dc levels... 'mark' and 'space'. The tones are separated by an amount known as the 'shift' (see the accompanying panel).

The ETI-730 uses filters to recover the two tones from whatever other rubbish may be coming out of the receiver. It compares the level of the tones and whichever one is stronger gets the nod from the logic circuitry. There is another filter in the logic area that discourages transitions faster than 50 per second. The effect of all this is to allow the copy of signals that are sometimes even too weak to hear.

	ETI-730	ETI-733
Ease of Construction	Moderate	Easy
Cost	Moderate	Cheap
Ease of Operation	Fiddly	Easy
Weak Signal Performance	Good	Fair
With Interfering Signal	Good	Poor
High Data Speeds	Poor	Good
Decode Analogue Signals	No	Yes

Table 1. Comparing the '730 and '733.

Gasp! . . . a PLL!

The ETI-733 is based on a phase-locked loop. This will bring screams of anguish from RTTY purists. They'll tell you phase-locked loops are no damn good on HF signals and only marginally useful on VHF. I must admit I experimented with an NE565 PLL chip during the design of the ETI-730 converter and I found results were hopeless. But now, some three years later, from the depths of a CMOS logic data book, comes the *4046 Micropower Phase-locked Loop*, and it goes like a ripper. Why this one should work when the 565 didn't, I can't explain, but work it certainly does.

You've probably heard of PLLs as part of frequency synthesisers. When the cost of crystals shot out of sight, PLLs became a necessity in multi-channel transceivers. The basic PLL has a voltage controlled oscillator and a phase comparator. The signal to be decoded is fed into the phase comparator along with the output of the VCO. The comparator generates an error voltage that's fed back to the VCO (that's the loop part). The VCO then adjusts its frequency to match that of the incoming signal. So the VCO output is a cleaned-up carbon copy of the signal from the receiver and the error voltage is our recovered data signal.

When everything is hanging on and the VCO is following the input signal, the PLL is

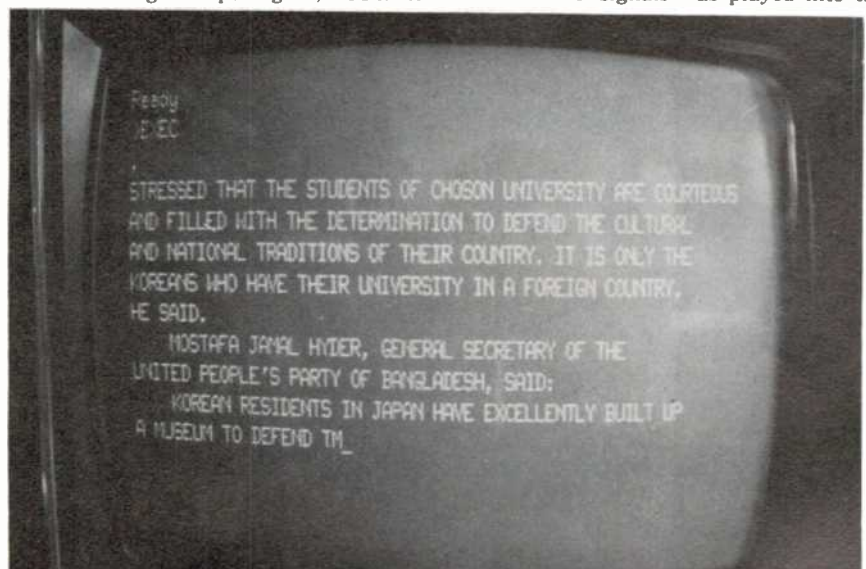
said to be 'in lock'. If the incoming signal is too high or too low in frequency, beyond the range where the VCO can be pushed to match it, the whole procedure falls apart and the PLL 'loses lock'.

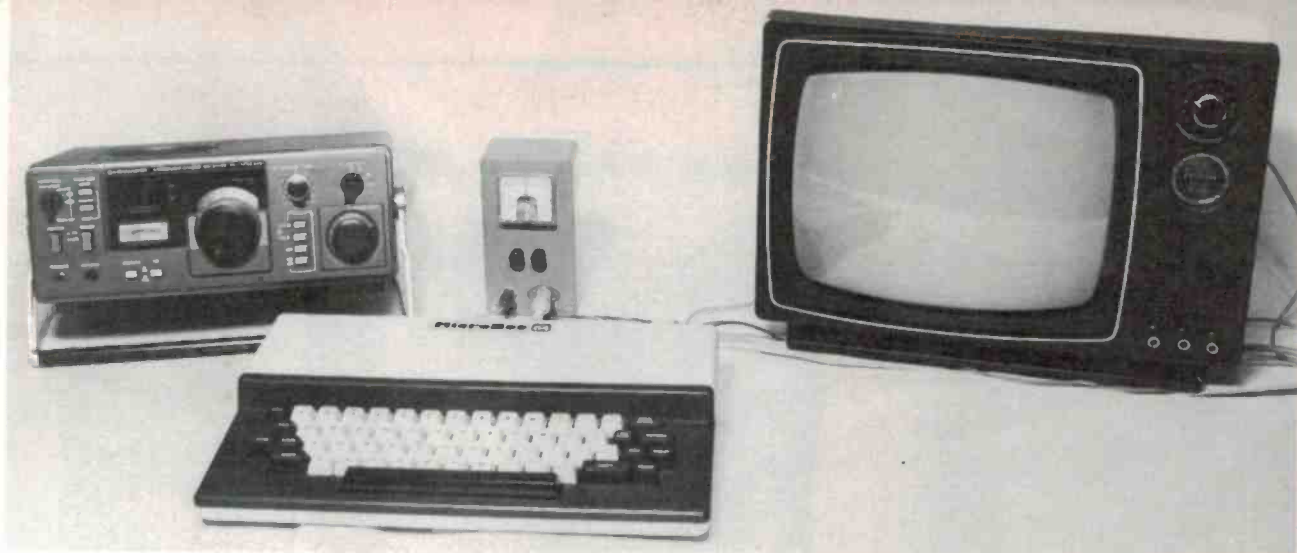
One of the advantages of the PLL system is that you can put a low pass filter in the line between the phase comparator and the VCO which effectively averages out higher frequency noise on the incoming signal, allowing the loop to remain in lock. A disadvantage is that it will always lock onto the strongest signal within its locking range, even if it's not the signal you're trying to receive.

The 4046 chip has a few extra goodies. One is a second phase comparator working on a complicated 'digital' principle. There's also a source-follower to buffer the loop signal for output, and even an on-chip zener diode for power supply regulation. In this design we've ignored the zener diode and the digital phase comparator. The latter was thoroughly tested but the 'normal' phase comparator worked better in this application.

Overall design

Circuit constants were found strictly by the eclectic empiricist method (i.e. trial and error!). After starting with the data book's suggested values, a tape of rather scruffy off-air RTTY signals was played into the





Your 'glass teletype' terminal. Add a general coverage receiver, the '733 decoder and a MicroBee (or similar Z80 system)!

PLL and the results sent to the mechanical teletypewriter. A count of errors was made, a circuit constant changed, and then the same bit of tape was played again to see if the errors got worse or better.

It was a slow business but I managed to zero in on what appears to be the best performing circuit.

The lock range is from 1400 to 3400 Hz, in the higher part of the receiver's audio pass-band, and the loop filter constants are such that signals beyond 300 baud can be recovered.

As well as the PLL chip, the ETI-733 decoder uses an LM324 quad op-amp for input and output conditioning. One section raises the audio level from the 'recorder' output of the receiver to a level more suitable for the PLL.

The PLL output goes to two inputs of another op-amp used as a comparator. One input gets the PLL signal, lightly filtered. The other also gets the PLL signal, but this time via a very long time constant filter to produce an average of the PLL swings. This line is buffered by an op-amp, which also drives a tuning meter.

The arrangement causes the comparator to make a firm decision as to whether a mark or a space is being received, while allowing the signal to drift all around within the PLL's lock range. Shift selection is no longer required... anything that crosses the comparator threshold is considered valid, and signals down to 170 Hz shift work nicely.

Since the PLL lock range is 2000 Hz, a lot of receiver drift is tolerable before copy is lost.

There is one disadvantage with this averaging system... teletype signals sent slowly, by hand, will be hard to copy. This is because the signal is spending most of its time on 'mark' and the comparator will drift toward mark, losing its centre reference. But that's of little worry, most interesting signals are sent by machine anyway.

Another op-amp enables a feature that has been examined by oscilloscope, but not properly tried yet... an analogue output. The PLL can track anything, not just two discrete audio tones. This opens the door for signals using frequency modulation, such as satellite pictures, weather maps, any facsimile-type signals — and these abound on the HF bands.

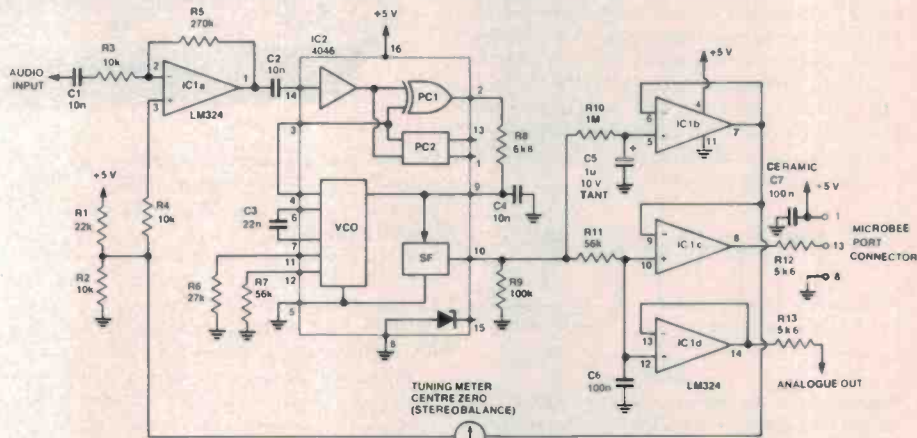
When one of these is being received an oscilloscope shows a nice video signal from

the analogue output. A signal restricted to peak black and peak white appears on the digital output. A bit of playing around with a computer should result in a method of displaying analogue material on the screen. That's certainly one to work on.

Once the digital signal is available at the decoder's output, you can send it one of two

places: to a teletypewriter, or to a computer. For the teletype option you can pinch the loop driver circuit from the ETI-730 article.

(See ETI, August '79, page 43. Delete the two resistors, R29 and R30, and LED1 from the emitter circuit of Q2 and take the emitter directly to earth. Feed the PLL decoder output to the base of Q2 via R27.)



HOW IT WORKS — ETI-733

The heart of the decoder is IC2, a 4046 'micropower phase-locked loop' IC. The incoming signal from the receiver consists of two audio tones — one to represent the 'mark' signal, the other to represent the 'space' signal. The 4046 converts these to a two-level digital signal, which is filtered, then buffered and sent to the computer.

IC1a and associated components forms an ac amplifier with a rolloff below 1.5 kHz (i.e. high pass) and a passband gain of about 27. Resistors R1 and R2 form a voltage divider providing a reference level for IC1a of about 1.6 V.

The amplified signal from IC1a drives the signal input of the PLL, IC2, via capacitor C2, which enables the self-biasing input amplifier of IC2 to work with weak signals.

The PLL phase capacitor, PC1, output is filtered by R8 and C4 to obtain an error signal for the PLL's VCO which should oscillate near the incoming frequency present at any particular time. The VCO frequency is 'pulled' according to the actual mark and space frequencies of the incoming RTTY signal.

The free-running frequency of the VCO is about 2.4 kHz, set by C3 and R6. The lock range of the VCO is determined by R6/R7 and is about 1.4 — 3.4 kHz.

The error signal out of PC1 of IC2 is buffered and appears at pin 10 of the PLL. A low pass filter, formed by R10, C5 and IC1b, removes the fast-changing data components of the error signal, leaving a nominally-dc component at the output of IC1b.

The PLL error signal is also fed to IC1c via another low pass filter formed by R11 and C6. IC1c is connected as a comparator with a reference signal on its inverting input set by the nominal dc level from the output of IC1b. This comparator 'extracts' the data from the error signal. This scheme relies on the input not containing long periods of only one input tone, which is usually true.

The tuning meter connects between the 1.6 V reference provided by R1/R2 and the output of IC1b. This indicates when the receiver is producing audio tones shifting within the PLL lock range. When correctly tuned, the current through the meter is zero, hence the necessity of a centre-zero meter.

The data low pass filter, R11/C6, has a roll-off around 30 Hz, which ensures clean data out. However, some experimentation can be carried out with different data rate signals. You can vary C6, decreasing its value for high data rates, settling on a value which gives best results.

Software

The program that follows was written for the MicroBee, but since it's in machine code it should work on just about any Z80-based machine with only minor modifications to some addresses. Here's how it works:

The aforementioned in/out port is first set up in what's called the 'control' mode . . . you specify some bits as inputs and others as outputs, and no 'handshaking' signals are required. In this case I've called all the bits inputs, although only bit 0 is used to bring in the teletype signals decoded by the ETI-733.

A teletype signal is made up of a start pulse, five data pulses, and an extra-long stop pulse (start and stop refer to shaft rotation that takes place in a mechanical teleprinter). Refer to Figure 1, below. A pulse, in the case of 50 bauds, is 20 ms long.

The program first looks for a start pulse which unleashes the following series of events: Bit 3 of an 8-bit register (register C in the Z80) is set high. Thirty milliseconds later the transmitting teletype should be in the centre of its first data pulse . . . this is read and pushed into the right end of the C register. Everything already in C is shoved to the left to make room. Twenty milliseconds later comes the next data pulse, this is loaded into C and everything else shifts along. After five data pulses the bit originally set in C falls out the left hand end, telling the program that a character is finished. Register C now contains, in its first five bits, a binary number between 0 and 31.

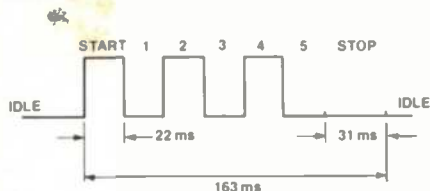
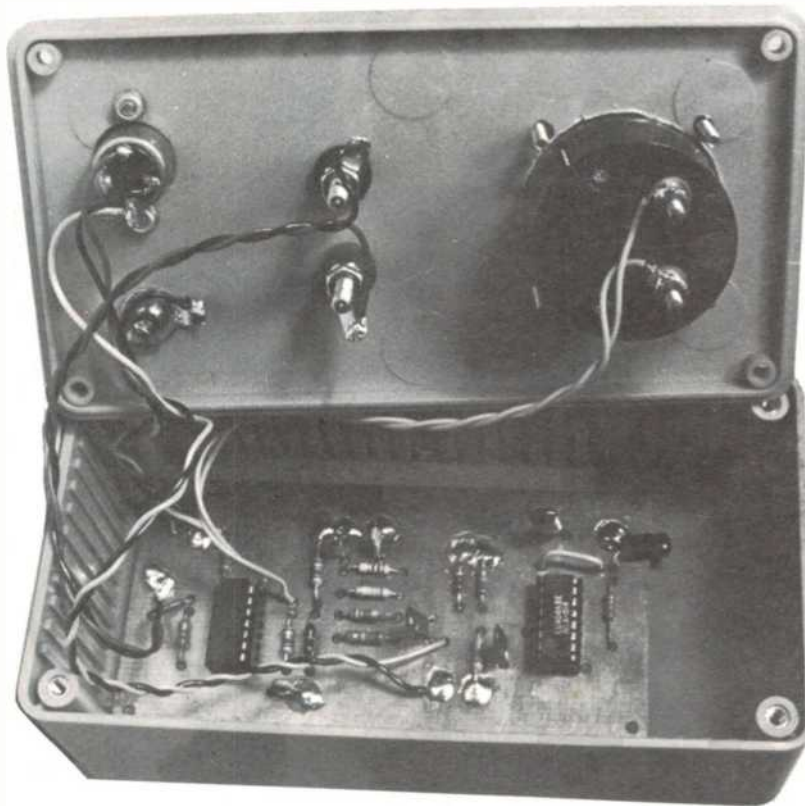


Figure 1. How the teletype signal is made up. For 45.45 baud speed standard, the first five pulses are 22 ms long, followed by a 31 ms 'stop' pulse giving 163 ms per character, while a 50 baud system uses 20 ms pulses with a 30 ms 'stop' pulse, giving 130 ms per character.

In the next part of the program the character in C is inspected to see if it's a figures or letters shift. If so, a flag (register E), is set accordingly. Now register pair HL is set to point to a table of ASCII characters. The number in C is doubled and then added to HL, making HL point to a pair of table entries. Which entry of the pair gets selected depends on flag E which, if zero, gets even numbered entries (letters characters). If E is one, HL selects odd numbered entries (figures and punctuations).

The ASCII character eventually selected is loaded into register B and then sent off to the MicroBee's VDU routine, where it's displayed on the screen. The program then goes back to looking for another start pulse for the next character.

If your MicroBee is a BASIC-only version, getting the program into it could be a problem. Although there are only 139 bytes in the program, they can only be entered in memory by 'poke' statements, but then there's no easy way to save the program on tape. If you want to try it anyhow, first



convert the hexadecimal values in the 'code' column, eight bits at a time, to decimal. Then poke them into the hex addresses in the 'ADDR' column.

Then again, you could take the easy way out. For the sum of 12 miserable dollars, sent to the author, you will receive a postpaid cassette tape which can be loaded into your MicroBee with the usual 'load' command.

This tape contains an extended 'bells and whistles' version of the RTTY program, with such goodies as baud rates from 45.45 to 300, selectable while the program is running, selectable page or tape display mode, and signal inversion at the touch of a key.

Construction

All the 'electronic' bits go on a pc board measuring about 120 mm by 60 mm. Only the tuning meter and input/output connectors are mounted separately. As a concession to the 'RF purists' I used a double-sided pc board with a groundplane on the component side of the board. As we're dealing only with audio signals here, you can ignore the groundplane if you so wish. As for sockets for the two ICs — please yourself, they have no

effect on circuit operation.

Assembly of the pc board is straightforward. Probably the easiest way to tackle it is to solder the resistors in place first, followed by the capacitors. Watch the orientation of the 1 uF tantalum, C5. Install IC1 and then IC2. Note that the latter is a CMOS type and the usual static and soldering precautions should be taken. Note that there is one link on the board — near one end of IC2.

Finally, attach the wires that go to the meter and input/output terminals. If using a double-sided pc board, some components are soldered on the top *and* bottom side of the board — denoted by a • on the overlay.

You can mount the decoder in a box if you wish; any suitably-sized jiffy box will do nicely. The meter and input/output terminals can be mounted on the box's lid. Nothing's critical, so exact construction details are left up to you as individual requirements will undoubtedly vary a great deal.

Hooking it up

Figure 2 shows the general idea of how the

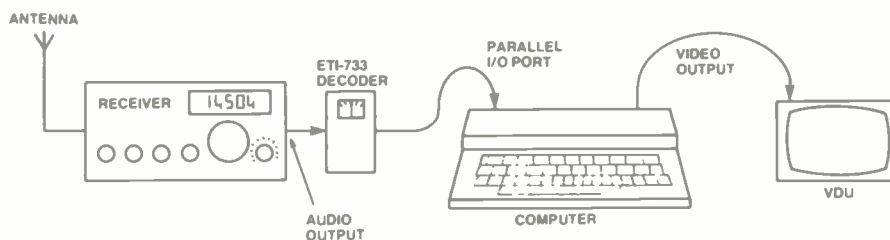


Figure 2. The hookup. Audio output from the receiver can be taken from across the speaker, a headphones output, a recorder output or other suitable auxiliary audio output.

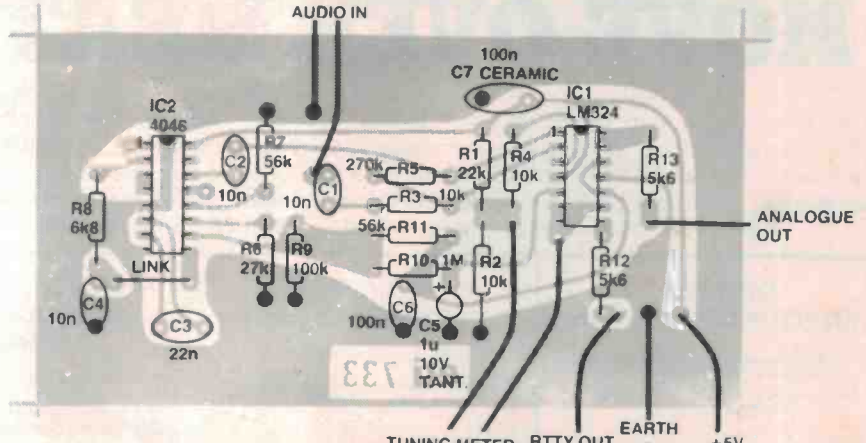
PARTS LIST — ETI-733

- Resistors** all ½W, 5%
- R1 22k
 - R2, 3, 4 10k
 - R5 270k
 - R6 27k
 - R7, R11 56k
 - R8 6k8
 - R9 100k
 - R10 1M
 - R12, R13 5k6
- Capacitors**
- C1, 2, 4 10n greencaps
 - C3 22n greencap
 - C5 1u/10 V tant.
 - C6 100n greencap
 - C7 100n ceramic bypass

- Semiconductors**
- IC1 LM324
 - IC2 4046

Miscellaneous
 ETI-733 pc board; M1 — centre-zero tuning meter; DB15 plug; wire, etc.

Price estimate \$16 — \$20



PC Artwork. A print of the pc board artwork for this project can be obtained by sending a stamped, self-addressed A4-sized (same size as magazine) envelope to:
 ETI-733 PC ARTWORK
 ETI Magazine
 140 Joynton Ave Waterloo NSW 2017.

decoder fits in the system. The audio output from the receiver can be taken directly across the speaker, from any auxiliary audio output or a headphones output. Less than one volt of audio will provide adequate drive to the decoder.

To use a MicroBee computer you'll first have to arrange a parallel input/output port. If this was not supplied with your computer, you'll have to install it yourself. All that's required is the 15-pin ('DB15S') socket which you can buy from your local electronics store and wire it in yourself (very carefully). While it wires straight in, note that bit 0 of the port

comes out on pin 13, not pin 11, as the pc board overlay or kit construction manual indicates. The output of the ETI-733 decoder connects to bit 0 and it gets power supply from the computer via pin 8 of the port connector.

All you need now is some means of converting the decoder output to characters on the VDU screen. That's where we need a little software.

For other Z80-based computers, we'll have to leave the details to you as individual systems vary. Have a close look at your system's technical manual.

On the air

To test your new decoder, here are some frequencies to try:

- 11 030 kHz** AXM, coded weather info, 50 bauds
- 13 779 kHz** Voice of America News, 75 bauds
- 14 700 kHz** Christchurch to McMurdo, 75 bauds
- 16 100 kHz** Chinese News Agency, 50 bauds

With the receiver set for the upper sideband mode, tune for centre reading on the decoder meter. If the signal is garbled, try it on the other sideband. An off-centre meter reading under no-signal conditions is normal. Happy spying.

SOFTWARE

ADDR	CODE	LINE	LABEL	MNEM	OPERAND	ADDR	CODE	LINE	LABEL	MNEM	OPERAND
						0442	3E78	00560	DELAY1	LD	A,120D ;D0 120 TIMES FOR 50 BAUD
						0444	060B	00570	LOOP1	LD	B,08H ;B.08H
						0446	10FE	00580		DJNZ	\$;JUMP TO YOURSELF IF NZ.
						0448	3D	00590		DEC	A
						0449	20F9	00600		JR	NZ,LOOP1
						044B	C9	00610		RET	
0400		00130		DEFR	16 ;ASSUME HEX NUMBERS	044C	0505	00620			
0400		00140		ORG	0400	044E	5435	00630		TABLE	DEFW 0505 ;(BLANK)
		00150				0450	0D0D	00640		DEFW	3554 ;T 5
		00160			5-bit serial input routine, through PIO BIT 0	0452	4F39	00650		DEFW	0B00H ;(CR)
		00170				0454	2020	00660		DEFW	2020 ;(SPACE)
0400	3ECF	00180		LD	A,0CFH ;SET PIO FOR "CONTROL"	0456	4800	00670		DEFW	0048 ;H (STOP)
0402	D301	00190		OUT	(1),A	0458	4E2C	00680		DEFW	2C4EH ;N
0404	3EFF	00200		LD	A,0FFH ;SET ALL BITS "INPUT"	045A	4D2E	00690		DEFW	2E4DH ;M
0406	D301	00210		OUT	(1),A	045C	0A0A	00700		DEFW	0A0AH ;(LF)
0408	DB00	00220	INPT	IN	A,(0) ;LOOK FOR START BIT	045E	4C29	00710		DEFW	294CH ;L
040A	CB47	00230		BIT	0,A	0460	5234	00720		DEFW	3452 ;R
040C	20FA	00240		JR	NZ,INPT	0462	4724	00730		DEFW	2447 ;G %
040E	E00B	00250		LD	C,8 ;SET UP COUNTER BIT	0464	4938	00740		DEFW	3849 ;I
0410	CD4204	00260		CALL	DELAY1 ;START BIT IS LOW, ...	0466	5030	00750		DEFW	3050 ;P 0
0412	CD3F04	00270		CALL	DELAY2 ;DELAY TO CENTRE OF DB-1	0468	433A	00760		DEFW	3A43 ;C
0414	DB00	00280	LOOP	IN	A,(0) ;BRING IN DATA BIT	046A	563D	00770		DEFW	3D54 ;V
0416	CB3F	00290		SRL	A ;SHIFT DATA INTO CARRY	046C	4533	00780		DEFW	3345 ;E 3
0418	CB11	00300		RL	C ;SHIFT CARRY INTO C	046E	5A2B	00790		DEFW	2B5AH ;Z *
041C	CD3F04	00310		CALL	DELAY2 ;ONE BIT TIME	0470	4400	00800		DEFW	0044 ;D
041F	30F5	00320		JR	NC,LOOP ;RPT TILL COUNTER BIT OUT	0472	423F	00810		DEFW	3F42 ;B ?
		00330				0474	5327	00820		DEFW	2753 ;S
		00340			Conversion to ASCII, BAUDOT character in C.	0476	5936	00830		DEFW	3659 ;Y 6
		00350				0478	4625	00840		DEFW	2546 ;F %
0421	214C04	00360		LD	HL,TABLE	047A	5B2F	00850		DEFW	2F58 ;X /
0424	6000	00370		LD	B,0	047C	412D	00860		DEFW	2D41 ;A -
0426	1600	00380		LD	D,0	047E	5732	00870		DEFW	3257 ;W 2
0428	79	00390		LD	A,C	0480	4A87	00880		DEFW	0744H ;J (BELL)
0429	FE1B	00400		CP	1BH ;IS BAUDOT CODE <FIGS> ?	0482	0404	00890		DEFW	4004 ;(FIGS)
042B	2002	00410		JR	NZ,8*4 ;SKIP NEXT IF NOT FIGS	0484	5537	00900		DEFW	3755 ;U 7
042D	1E01	00420		LD	E,1 ;SET FLAG "FIGS"	0486	5131	00910		DEFW	3151 ;Q 1
042F	FE1F	00430		CP	1FH ;IS BAUDOT CODE <LTRS> ?	0488	4828	00920		DEFW	2848H ;K (
0431	2002	00440		JR	NZ,8*4 ;SKIP NEXT IF NOT LTRS	048A	080B	00930		DEFW	080BH ;(LTRS)
0433	1E00	00450		LD	E,0 ;SET FLAG "LTRS"	0000	0000	00940		END	
0435	CB21	00460		SLA	C ;LET C = C * 2			00950			
0437	19	00470		ADD	HL,DE ;ADD FLAG TO POINTER			00960			
0438	09	00480		ADD	HL,BC ;ADD CHR TO POINTER			00970			
0439	46	00490		LD	B,(HL) ;ASCII CHAR INTO B			00980			
043A	CD0C00	00500		CALL	800CH ;OUTPUT CHAR TO VDU.			00990			
043D	18C9	00510		JR	INPT ;GO BACK TO START			009A0			
		00520						009B0			
		00530			Time delay subroutine			009C0			
		00540						009D0			
043F	CD4204	00550	DELAY2	CALL	DELAY1	LOOP1	0444	TABLE	044C	LOOP	0416
						DELAY1	0442	INPT	0408		043F



MOVE OVER HEATHKIT

Yes, we all know that the world's best selling Electronics Kits are from HeathKit — and with good reason — great design, premium quality components, comprehensive step by step instructions etc. Well, we've taken a leaf from their book with our new range of kits and while an ALTRONICS kit may cost a dollar or so more — just check the benefits to you, the enthusiast constructor, premium grade semis such as Philips, Fairchild and Motorola, full easy to follow assembly instructions and every last nut and bolt supplied — even solder! So when you buy one of these kits you can do so with confidence!

DIGITAL FREQUENCY METER

7 Digit Resolution, measures period and frequencies to • 500 MHz
Professional unit — cost a fraction of similar built-up units.



This project is "so easy to construct" virtually all components mount on one single PCB, ensuring success even for the "not so experienced" constructor.

Use of the latest LSI circuitry ensures impeccable performance from the completed unit. This is further ensured by our use of top grade components.

NOTE: (Altronics use only the specified Intersil LSI — beware of inferior kits that do not conform to the original design.)

Frequency measurement to 500MHz (with optional Prescaler) in 3 ranges — 0–10MHz, 0–50MHz, 10–500MHz • 4 gating times — 0.01, 0.1, 1, 10 seconds.

Period measurement for accurate low frequency counts, 4 ranges — 1, 10, 100, 1000 input cycles • resolution 0.1us.

High Input Sensitivity — 10MV to 30MHz, 100MV at 50MHz @ 1MOHM input impedance, 200MV @ 500MHz @ 75 OHMS input impedance.

Accuracy — typically better than 0.005% uncalibrated.

Exclusive Altronics Kit Features

- IC sockets provided throughout
- low aging 10,000 MHz XTAL.
- Genuine Fairchild High Brightness FND 507 display's.
- Quality ABS plastic case — deluxe front panel.
- Complete kit as specified by EA Includes instructions, all cables and every last nut, bolt and washer.

K2500 \$119.50

DECIMAL POINT FOR K2500

READ FREQUENCY DIRECTLY IN MHz and PERIOD IN US.

K2502 \$7.50

PRESCALER FOR K2500

ALLOWS FREQUENCY MEASUREMENT TO 500MHz

K2501. . . (essential option) . . . \$26.00

FUNCTION GENERATOR

(with digital display)

Sine, triangle and squarewaves : 15Hz — 250KHz.



The most essential piece of test gear (second only to a good multimeter) on any hobbyist's bench is some kind of audio signal generator. This design utilizes the latest circuit techniques to produce stable, low distortion waveforms.

A truly versatile unit at a bargain price.

- 4 digit frequency readout (eliminates tiresome dial calibration) — typical accuracy ± 2%.
- 3 overlapping ranges x1, x10, x100.
- 600 OHM Nominal Output — continuously variable 3MV–2.5V P–P.
- Distortion — sinewave : less than 0.7% @ 1KHz.
- Linearity — triangle wave : better than 1% @ 1KHz.
- Squarewave rise time — 6V/uz maximum output.
- Amplitude stability — better than 0.1dB on all ranges.

With the exception of the display all components mount on a single PCB making this kit suitable for all constructors.

K2505 \$85.00

ANALOG / DIGITAL STORAGE CRO ADAPTER

(See EA Nov 1980 and March 1981).



Unit enables indefinite storage of non-repetitive waveforms at a fraction of the cost of conventional storage CRD's. National semiconductors A–D/D–A conversion techniques allow analog signals up to 100KHz to be stored • two channels while in digital mode • positive and negative edge triggering • AC/DC/HPF and LF rejection • timebase tracer for accurate frequency measurement • accurate down to 1.9Hz Analog mode — 1us Digital Mode • delayed trigger 10us–1s • sensitivity — 160MV P–P = 1 MEG (Analog) • standard TTL and CMOS levels 3–15 volt supply (Digital).

The features of this unit are to numerous to list, yet is simple to operate.

Be assured of quality with an Altronics Kit.

1. Genuine National A–D conversion chips not second sourced dropouts.
2. All IC sockets provided (27 total — you pay no more)
3. Low capacitance coax and a full metre of rainbow cable.
4. Full instructions and every last nut, bolt and washer.
5. Deluxe mini rack cabinet.

K2600 \$189.00

STEREO SYNTHESIZER FOR TUNERS & VCR'S

(See EA Sept. 1982)

Synthesize realistic stereo from virtually any monophonic source by simply connecting this unit between the source and your stereo amplifier.

ENJOY THE PLEASURES OF STEREO SOUND



- Quality Philips MN3001 (not second source dropout)
- Provision for 2 different signal sources.
- Selection of either source via front panel switch.
- Normal or stereo sound selection.
- Complete kit includes all hardware, cables etc., even solder.

Important • beware of Kitset suppliers who sell this kit for less • you get less!!

K5810 \$55.00

DIGITAL CAPACITANCE METER

Electronics Australia Project. Measures capacitance of both polarized and non polarized capacitors from 1 picofarad to 99.99 microfarads in 3 ranges.

Check values of unmarked capacitors, especially those little trimmers that are never coded.

Select precise values for filters and timing networks with ease.

• • • • Exclusive to Altronics • • • •

Each kit includes precision measured capacitors for accurate calibration of each range.

K2520 \$49.50



OVER 1000 SOLD LAST YEAR

TRANSISTOR TESTER



Electronics Australia Project. Tests Bipolar Transistors, Diodes, Fets, SCR's and PUT's. Excellent service aid for the hobbyist and serviceman. Complete kit and instructions.

K 2525 \$19.75

POWER SUPPLIES

OUT BEST SELLING POWER SUPPLY KIT EVER

3–32 volt output at 1 amp UNDER \$40 THE ALTRONICS POWER SUPPLY

Based on EA LM 317K Project
Every workshop, school and hobbyist should get one now !!!

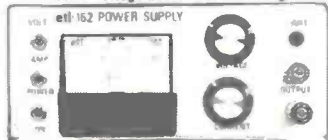


- Fully protected from thermal runaway and short circuits.
- Voltage and current metering.
- To–3 regulator plus powerfit heatsink.
- Fully documented, every last part included.

K3200 \$39.95

ETI 162 BENCH SUPPLY

1.3 — 30V @ 1 Amp
With voltage and current limiting



- Overload and short circuit protected.
- Voltage and current metering.
- Regulation — better than 0.2% zero to full load
- Hum and noise on output — less than 1mV at full load.
- LED Indication of current limit.

Exclusive — fully S.E.C. Certified Mains Transformer supplied.

If you're considering buying this kit from your local supplier or one of our competitors — first ring and ask them if the mains transformer is S.E.C. certified to ASC126 — chances are that it won't be.

So why not give us your order? An Altronics Quality Kit speaks for itself and with our overnight JetService we guarantee to deliver to your door faster than your local supplier.

K3205 \$49.50

2-32 VOLT 5 AMP POWER SUPPLY



Following in the steps of our K 3200 power supply comes BIG BAD BROTHER! Based around the national LM338K variable regulator this supply offers exceptional value for money.

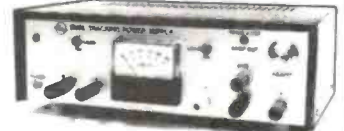
- 2–32 Volt Output of 7 Amps.
- Peak Currents of 7 Amps.
- Protected from both short circuits and thermal runaway.
- Continuous voltage adjustment.
- Dual Metering enables Continuous Voltage and Current Display.

The Handiest Power Supply Kit Ever for Workshop, Laboratory etc.

K 3300 \$129.50

DUAL TRACKING POWER SUPPLY

† 1.3 to* 22V @ 2 AMPS : + 5V @ 0.9 AMPS



The ideal power supply for the audiophile experimenting with linear OP amp designs in which split supply operation ensures improved distortion and noise figures.

- Fully protected against short circuits, overloads and thermal runaway.
- LED indicator for regulator dropout.
- Floating ground.
- Uses 0.25% linearity 10 turn pot — tracks within 1mV.
- Voltage adjustable to within 10mV.

K3220. . (EA MARCH 1982) . . \$86.00

ALTRONICS

For address, phone number and despatch details see our advertisement on page 51

ALTRONICS ... ALTRONICS ... ALTRONICS ... ALTRONICS ...

ALTRONICS ... ALTRONICS ... ALTRONICS ... ALTRONICS ...

COMPUTING TODAY

The personal computer for modern times — from IBM

With that slogan and the reincarnation of Charlie Chaplin's character from his film 'Modern Times', IBM launched the IBM PC in Australia with a slap-up smorgasboard luncheon at Sydney's Sebel Town house in February.

Parked out front was a bright red Porsche sporting 'IBMPC' number plates while inside was a small array of IBM PCs demonstrating their prowess.

From the literature handed out from IBM, and from what one has read in the copious reports in overseas journals, it seems IBM have a winner on their hands.

Priced at \$3224 inc. sales tax for a 'minimum' system, the IBM PC is supported by an impressive array of software for business, educational and 'home' applications.

An enhanced version of the popular Microsoft BASIC programming language and easily understood operation manuals are included with every system. They make it possible to be using the computer within hours and to develop personalised programs quite easily.

The system comes with an 83-key detachable keyboard featuring a sculptured key face and adjustable typing angle, up to 544K of user memory (64K standard) and self-testing capabilities that automatically check the system components, all driven with a powerful 8/16-bit microprocessor.

The standard display is 25 lines of 80 characters, plus graphics capabilities. Colour is available too — but only NTSC (American) standard at present, PAL to come later (you'll need an NTSC monitor).

The colour-graphics capability allows you to display up to 256 characters in any of 16 foreground and eight background colours, graphics in four colours.



The system unit is the heart of the IBM PC. It contains the central processing unit (CPU), power supply etc, and one or two diskette (5 $\frac{1}{4}$ ") drives. It's about the size of a portable typewriter and includes a speaker for audio or musical applications. The diskette drives can provide 160K each of mass storage.

A 'starter' system consists of a keyboard, system unit, monochrome display and diskette drive. It can then be expanded to a system with its own printer, additional storage diskettes, communications adapter and colour/graphics display monitor. Using the communications facilities information from centralised data banks such as The Source can be accessed.

A ninety-day warranty is provided. Service will be by exchange of elements for printer, keyboard and display. System

units will be retained for repair and then returned to the owner. Service will be carried out by IBM principally, but authorised dealers may also offer service.

Technical backup will be via dealers in the first instance, maybe IBM in the last resort, according to information given in answer to questions at the press conference.

It is IBM's intention to acquire locally-developed software from IBM and non-IBM sources.

Program packages available for the IBM Personal Computer cover popular business and home applications. For example, EasyWriter will store letters, manuscripts and other text for editing or rapid reproduction on the printer.

Multiplan and VisiCalc are available for applications ranging from financial analysis to budget planning. Microsoft Ad-

venture — the doyen of text computer games, is also available.

IBM, in conjunction with Microsoft, Inc. has adapted an advanced disk operating system to support IBM Personal Computer programs and software development. CP/M-86 and UCSD p-System have also been adapted to the Personal Computer to provide users with the opportunity to transfer hundreds of widely used applications programs to the IBM Personal Computer with minimal modifications.

Authorised dealers have been appointed in all states. For information, contact Ian Penman, IBM's Personal Computer Dealer Marketing Manager, via P.O. Box 3318, GPO Sydney 2001 NSW. (02) 234-5678. ●

COLOUR GENIE

The Versatile Computer

Enter the exciting world of computer with the EG2000 Colour Genie

- * Low Priced — Compare the Features.
- * Clear & Defined Colourfull Graphics.
- * Fully Expandable — Compare the Prices.
- Children & Adults love Video Games.
- Home Accounting.
- Small Business Computing.
- Educational Purposes.

CALL OR WRITE FOR
LOCATION OF YOUR
NEAREST COLOUR GENIE
DEALER.

\$449⁰⁰
INCLUDES CASSETTE RECORDER



WE DARE TO COMPARE

FEATURES	COLOUR GENIE	VIC 20	TRS 80 COLOUR	ATARI 400
ROM	16K	8K	8K	10K
RAM on Board	16K	5K	4K	8K
Max. RAM on Board	32K	5K	32K	16K
Professional Typewriter Keyboard	YES	YES	NO	NO
R.F. with sound modulators built-in	YES	NO	YES	YES
Built in Power Supply	YES	NO	YES	YES
RS-232C Built-in	YES	NO	YES	NO
Sound	YES	YES	YES	YES
Screen Display	24 x 40	22 x 23	16 x 32	24 x 40
Programmable Characters	YES	NO	NO	NO
Upper/Lower Case Characters	YES	YES	YES	NO
Dedicated Graphics	YES	YES	NO	YES
User-Programmable Function keys	8	NO	NO	NO
CPU	Z80	6502	6809E	6502
Clock Speed	2.2MHz	1 MHz	0.89MHz	1.8MHz
Baud rate	1200	300	1200	1200
Price including Cassette Recorder (approx RRP)	\$449	\$399	\$784	\$758

FOR FURTHER INFORMATION CONTACT BERTAS INTERNATIONAL PTY LTD
P.O. BOX 294 BOX HILL, VIC. 288 7708

Allah be praised, the Colour Genie arrives!

Latest contender for the colour home computer market is the Colour Genie featuring a Z80 microprocessor, 16K user memory, 63 key typewriter-type keyboard, high speed cassette interface, eight colours, 128 dedicated graphics symbols and a high-resolution graphics mode of 160 x 96 pixels.

It comes with Microsoft extended BASIC, including graphics and colour commands. The video display format is 24 lines of 40 characters with the full 43 ASCII character set in upper and lower case.

A graphic character set of 128 dedicated symbols is provided with symbols printed on the keytops for your convenience. An additional 128 programmable characters can be obtained.

The Colour Genie has both direct video and modulated RF output for connection to either a colour monitor or TV set. The sound is modulated onto the RF output too so that sound effects can be heard in the TV's loud-

speaker. A separate audio input connector is provided.

The 16K RAM can be expanded to 32K internally. Built-in interfaces allow the attachment of printers, disk drives, cassette recorder, light pen and joystick controls.

Two manuals are supplied with the Colour Genie written in a simple to understand, entertaining style providing a training course in BASIC programming from first principles.

The cassette interface, for cheap mass storage on standard audio cassettes, runs at 1200 baud. You can save a 15K program in 100 seconds, the makers claim.

The Colour Genie is made in



Hong Kong by EACA International Ltd who made the very successful Dick Smith System 80 (now ceased production). It is being imported and distributed

by Bertas International Pty Ltd, 347 Scoresby Rd, Fernree Gully Vic. 3156. (03) 288-3107.



The Computer Company launches Panasonic's JB-3000 against IBM PC

One of the first IBMPC clone/competitors on the market was Matsushita's Panasonic JB-3000, configured to be directly software compatible and keenly price/hardware competitive.

The Computer Company, who market Panasonic computers in Australia, released the JB-3000 here shortly before IBM's PC launch lunch.

So, what does the JB-3000 offer against the IBM PC? Taking the keyboard as the most important component for the

operator, the makers point out that the keyboard, while having a similar key layout, has colour-coded keys for ease of learning and use. Dedicated cursor control keys are included in the standard 'T' format, plus a wrist rest at the front of the keyboard. Typing angle is not adjustable.

The main processor cabinet, housing the CPU etc, has a front-mounted power switch and indicator, plus a reset switch which does not interrupt the power supply. Disk drives are not housed on the processor cabinet, but come as separate attachments.

Either 5 1/4" diskette or 8" disk drives can be fitted to the JB-3000. The diskette drives are capable of 640K, the 8" drives 1.26M each. Drives simply plug in.

Output to VDU is composite video. Colour is included as standard. Colour output is eight colours maximum and all can be displayed on-screen at once.

Output to printers is via RS-232 or Centronics interface, the latter is included as standard.

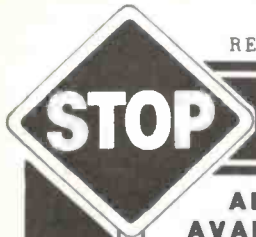
The JB-3000 has three internal expansion slots and an add-on expansion unit to give a total of eight expansion slots. The JB-3000's 64K RAM can be expanded to 256K with the addition of one memory card.

The JB-3000 runs Microsoft's MS-DOS operating system. CP/M-86 is available for the machine, also. A whole range of software packages will be available for the JB-3000 through dealers, including business, finance, word processing etc.

The Panasonic JB-3000 will be marketed through department stores, not computer specialty shops. Angus & Robertson, Grace Bros. and Myer stores will be handling it. Free training is provided with the machine and courses are available from Metropolitan Business Colleges around Australia.

Further details from The Computer Company, 4 Cliff St, Milsons Point NSW 2061. (02) 436-1733.

READ THIS-



important notice



COMPUTERS AT REALISTIC PRICES

ALL QT COMPUTER PRODUCTS NOW AVAILABLE ONLY FROM PRE-PAK

FOLLOWING A RECENT AGREEMENT BETWEEN Mr BOB STEIN, OF QT COMPUTER SYSTEMS (AUST) AND Mr I. RALPH, OF PRE-PAK ELECTRONICS PTY. LTD. ALL COMPUTER PRODUCTS PREVIOUSLY SOLD BY QT COMPUTER SYSTEMS DIRECTLY, WILL NOW BE SOLD BY PRE-PAK ELECTRONICS AT THEIR SYDNEY STORE. "THIS WILL ALLOW US TO DEVOTE MORE TIME TO MANUFACTURING AND SYSTEMS DEVELOPMENT", SAID Mr STEIN, "HOWEVER, WE WISH TO KEEP FAITH WITH OUR MANY 'BUILD-IT-YOURSELF' CUSTOMERS". Mr RALPH STATED THAT "MOST QT PRODUCTS ARE CURRENTLY EX-STOCK AND PRICES ARE SUBSTANTIALLY THE SAME AS LAST YEAR'S". "OUR EXTENDED TRADING (6 DAYS), IS A BIG ADVANTAGE", HE ADDED.



1983 CATALOGUE

GET YOUR COPY TODAY!
Sent free to Schools, Government Depts, Companies etc, otherwise send 70c to cover postage.



A LARGE RANGE OF KITS, PARTS, METALWORK

QT SILENCE+ MOTHERBOARDS

The SILENCE+ has become one of the most tried and proven motherboards on the market. Using a unique grounding matrix, each line is completely surrounded with ground shielding which eliminates necessity for termination and gives the unit a very high cross-talk rejection. Has been used as high as 14MHz w/o termination.

PRICES:	no Tax	incl Tax
6 slot bare board.....	\$ 31.00	\$ 37.20
6 slot A&T.....	\$ 81.00	\$ 87.20
8 slot bare board.....	\$ 33.00	\$ 39.60
8 slot A&T.....	\$104.00	\$110.60
12 slot bare board.....	\$ 39.00	\$ 46.80
12 slot A&T.....	\$138.00	\$145.80
18 slot bare board.....	\$ 61.00	\$ 73.20
18 slot A&T.....	\$178.00	\$190.20

DUAL 5 1/4" DRIVES MAINFRAMES

432mmL x 178mmH x 508mmD

DUAL 8" DRIVES
432mmL x 244mmH x 532mmD

- Power and Reset switches on front
- Fully professional



The QT Mainframes are, we believe, the most versatile models on the market. They will accommodate 6, 8 or 12 slot card cages using the Silence+ Motherboards. Any 5 1/2 inch, 8 inch standard or slimline disk drives can be fitted. Adequate space is available for a fan and power supply (these are included in assembled and tested versions). Just add a CPU, memory board, disk controller and terminal and you have an inexpensive, high quality computer system. The finish is beige with brown cover.

QT CARD CAGES

QT card cages are strong, cadmium-plated steel frames, punched ready-to-accept card-guides and motherboard. Perfectly suited for industrial control applications with the addition of CPU and memory card with the Silence+ motherboard.

no Tax	incl Tax	
6 slot Card Cage.....	\$ 30.00	\$ 36.00
incl motherboard, etc	\$117.00	\$140.40
8 slot Card Cage.....	\$ 33.00	\$ 39.60
incl motherboard, etc	\$145.00	\$174.00
12 slot Card Cage.....	\$ 39.00	\$ 46.80
incl motherboard, etc	\$189.00	\$226.80

S100 CONNECTORS

100 pin standard connector for S100 bus. Specially plated contacts for maximum efficiency. Made in USA.

\$7.45

TAX FREE \$6.20 EA. INCL. TAX

Prices are for 5 1/2" or 8" sizes. No Tax Incl Tax

Bare cabinet.....	\$198.00	\$237.60
incl 6 slot M/board (A&T).....	\$552.00	\$662.40
incl 8 slot M/board (A&T).....	\$581.00	\$697.20
incl 12 slot M/board (A&T).....	\$612.00	\$734.40

All parts available separately. let us quote!

DISK DRIVE CABINETS

The QT cabinets are professionally designed and finished and are ready to accept power supplies and disk drives.

no Tax	incl. Tax	
5 1/2" Mini Single cabinet.....	\$ 35.00	\$ 42.00
incl. power supply (A&T).....	\$129.00	\$154.80
5 1/2" Dual Mini Cabinet.....	\$ 39.00	\$ 46.80
incl. power supply (A&T).....	\$159.00	\$190.80
8" Single Cabinet.....	\$ 89.00	\$106.80
8" Single standard drive or dual slim-line cabinet incl. power supply	\$295.00	\$354.00

(Assembled and Tested)



Z80 SINGLE BOARD S100 COMPUTER SBC 2/4

\$239

\$199 no S/TAX KIT PRICE.

BUILT **\$299.00**

& TESTED. \$249 no Tax

BARE BOARD **\$79.20**

PLUS MANUAL. \$66 no Tax

ADD FREIGHT: \$4.00 ONLY

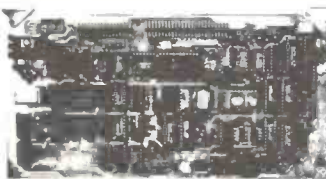
FEATURES:

The QT Computer SBC 2/4 Processor Board may be used as a stand-alone computer or as the host CPU of a large system. It works reliably with dynamic RAM boards and more importantly with soft sector disk controllers, and hence standard versions of CP/M. This gives access to the largest software base for microcomputers. 2 or 4 MHz switch selectable. 1K RAM (can be located at any 1K boundary) One each serial and parallel I/O ports Power on jump to on board EPROM (2708 or 2716) addressable on any 1K or 2K boundary Full 64K use of RAM in shadow mode 2 programmable timers avail. for use by programs DMA capability allows NMI signal generation on CPU board or elsewhere in system under DMA or front panel control programmable baud rate 110-9600



DISK DRIVE CONTROLLER

CCS2422A CALIFORNIA COMPUTER SYSTEMS BOARD ASSEMBLED AND TESTED WITH EXTENSIVE MANUALS NO TAX \$400 INCL \$480 CP/M for controller- 8" \$120 5 1/2" \$140 + S/Tax



The CCS2422A controller supports up to four drives in any combination of 5 1/2" and 8" single or double-sided drives, reads and writes soft-sector diskettes formatted to the IBM standards and is fully supported with IBM-PC/XT software. CP/M 2.2 is available in either 5 1/2" or 8" format. Compatible with S100 bus system.

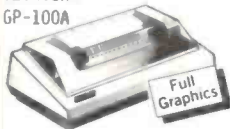
LOOK

SUPER DEALS ON ...

COMPUTER PERIPHERALS

(ALL PLUS SALES TAX: 20%)

SEIKOSHA GP-100A



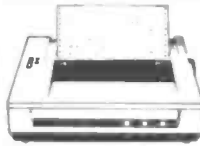
10" Tractor Feed Parallel, 30 CPS \$415

OKI MICRO-LINE 80



\$499 10" Tractor/Friction Parallel, 80 CPS

C. ITOH PRO-WRITER 8510

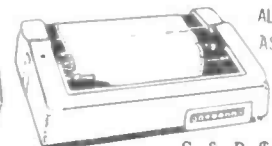


10" Tractor/Friction Parallel or Serial, 110 CPS P \$699 S \$785

C. ITOH PRO-WRITER II 1550



15.5" Tractor/Friction Parallel or Serial, P \$1060 S \$1175



ALPS ASP-3500

S & P \$1695

BIG value in small printers

DATA DISPLAY TERMINAL

With detachable keyboard, 12" 24x80 screen, 128 ASCII characters, RS232 or current loop.

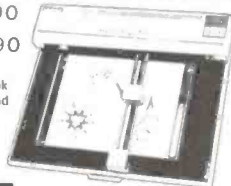


\$875

INTELLIGENT PLOTTER

Single pen \$1290
6 Colour \$1490

Uses standard ink pens or water and oil based pens. 7 bit parallel ASCII code.

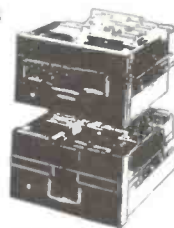


DISCOUNT DISK DRIVES

5" and 8"

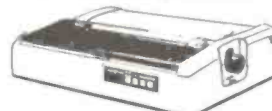
TEAC 5 1/4" 40 Track SS.....\$275
77 Track SS.....\$405
80 Track SS.....\$405
40 Track DS.....\$405
80 Track DS.....\$515

HITSUBISHI 8" Slim-line or standard size drives.....ea.\$525
MPI and YE-data drives also available.



DAISY WHEEL PRINTERS

C. ITOH PRINTMASTER F10



16" Tractor/Friction Parallel or Serial, 40/55 CPS P \$1460 S \$1520

DIABLO 630



16" Direct/Form Feed Serial input, 32/40 CPS S \$2845

MONITORS



\$199

- 12" GREEN SCREEN
- HIGH RESOLUTION
- 80x24 CHARACTERS
- Not a converted TV!



\$129

12" dual monitor/TV, economical B/W model. 12V DC or 240V AC. FANTASTIC VALUE!

PROTOTYPE BOARDS



\$29

S100 bus, room for up to 56 16pin or 21 40pin IC sockets + 4 regulators.

PROM PROGRAMMER



\$1595

Programs over 250 bipolar PROMS and MOS EPROMS. RS232 I/O serial port, 6X LED display, copies, checks and verifies, inc. 2 personality modules

MAIL ORDERS: ADD \$6

PRE-PAK electronics p/l

1a WEST ST, LEWISHAM, NSW

569-9797 24 HR PHONE ORDER SERVICE

SEE THE HUGE RANGE IN-STORE! IF YOU THINK WE PACK A LOT INTO OUR ADS, YOU SHOULD SEE WHAT'S IN OUR SHOP!

Printout



South Australian school gets VIC-20 computers

Commodore Australia has donated thirteen VIC-20 microcomputers to the South Australian Education Department.

The computers, worth \$13 000, will be used by students in years 5 to 8 at The Heights School at Modbury, an Adelaide suburb. Twelve computers will be located at the school and one will be kept at the Education Department, Angle Park Computing Centre, where it will be used to support the school's activities.

The VIC-20 computers will be used for the investigation of educational activities with young computer students, including keyboard skills, simple word processing, basic programming skills, recreational com-

puter programming and elementary computer assisted instruction.

The computers are all fitted with 16K memory expanders. A classroom set will also have two disk drives, a printer, cassette recorder, joystick and a variety of cartridge software. A simple networking system will allow up to eight microcomputers to be plugged into each disk unit and the printer. The network approach to school computers is in line with the recently announced Education Department policy for school computers.

AED takes over Applied Tech.'s S100 cards and systems

AED has taken over the complete range of S100 cards and systems formerly handled by Applied Technology, including the very successful DG680 computer board and '640 VDU.

As Applied Technology wanted to concentrate on the MicroBee, and as AED had built up a reputation as a supplier of S100 systems and products, it seemed logical that they take on S100 lines formerly handled by Applied Tech.

AED can offer complete consultancy services to DGOS owners and can also supply a broad range of CP/M-based software suitable for the systems. AED also aim to offer additional S100 I/O cards etc, as well as floppy and hard disk sub-systems.

As an example, you can get an 8" IBM-standard floppy disk system with CP/M 2.2 and

Microsoft BASIC-80 supplied. The system is compatible with the IBM single density standard as well as running double density 256, 512 or 1024 byte sectors automatically. AED supply the systems in single or double drive as well as single or double density versions.

As a convenience, AED can also provide repair facilities on a return-to-base basis as well as service contracts for owners within the Sydney region.

Further details from AED Microcomputer Products, 130 Military Rd, Guildford NSW 2161. (02)681-4966.

magmedia magmedia magmedia

Here's to longer life with Datalife from Verbatim.



Verbatim is committed to offering customers the very best removable magnetic storage media. Our line of highest quality magnetic storage products extends to virtually all removable media forms and includes Datalife TM flexible disks and minidisks, data cartridges, data cassettes and Datalife TM head cleaning diskettes. Verbatim is intent on keeping their products at the forefront of technology, going above industry standards, setting a new standard for excellence.



magmedia

MAGMEDIA SERVICE PUTS THE CUSTOMER FIRST

SYDNEY
(02) 428 1100

CANBERRA
(062) 48 6751

BRISBANE
(07) 229 1600

HOBART
(002) 34 4522

ADELAIDE
(08) 223 6261

MELBOURNE
(03) 699 9688

PERTH
(09) 328 3311

magmedia magmedia magmedia



Morrow business system

A new low-cost high performance microcomputer designed to be 'ultra-kind' to small businesses is being released in Australia by Archives Computers (Australia).

The Morrow, from Morrow Design, is claimed to be "the easiest way yet devised for the novice user to enter the computer age."

Archives' General Manager, Mr Gower Smith, told journalists and dealers at the Melbourne launch that the Morrow was also extremely friendly in two other ways.

"The Morrow is the best value for money of any system yet been offered in Australia, and has the versatility to accept disks from four other top selling micros," Gower Smith said. Seven major software programs are included with the system.

Immediately the unit is switched on a menu appears with all the functions the user needs to know to use the system. This can be suppressed when the user is familiar with the system.

All system errors that could result in loss of data are 'trapped' before they become serious, and the error messages appear in clear comprehensible English.

The Morrow also has automatic hardware diagnostics and a feature called Virtual Drive.

This means that when sent to a non-existent disk drive the system will revert back to Drive A without getting 'hung' in a never-ending search.

The Morrow system package will sell in Australia for under \$3000 (plus tax), a price which includes over \$2000 worth of software.

The Morrow also has the ability to read and write to high density disks formatted for Osborne 1, Xerox 820 and the IBM PC under CP/M-86 format.

A suite of business accounting software will be sold with the system.

The Morrow System is being distributed by Archives Computers (Aust), 163 Clarendon St, South Melbourne Vic. 3205. (03) 699-8377 and the Australian Business Solution, 59th Floor MLC Centre, Martin Place NSW 2000. (02) 235-1151.

A Data Base Dream

SME Lark

50 Mb Hard Drive Unit.

SME presents the Lark, a revolutionary new hard disk system that fulfills the dreams of database owners with its full 50 Megabyte capacity and the ability to back up 25 Megabytes of information in just two minutes.

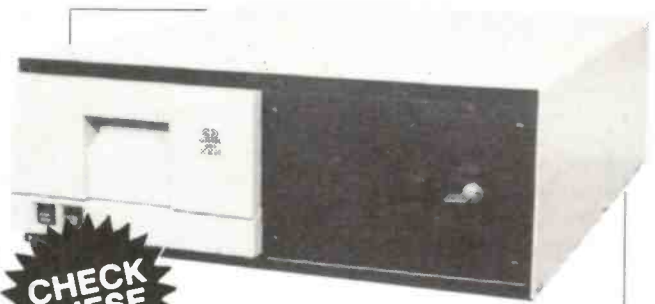
With 25 Megabytes on a fixed disk and 25 Megabytes of storage on a removable cartridge the Lark puts the possibility of handling mainframe sized data base applications at the fingertips of all S.100 Z80 micro users.

Direct memory access gives the Lark ability to transfer data fast - direct from disk to memory, bypassing the central processing unit altogether - while the Lark's linear voice call actuator provides maximum accuracy, reliability and rapid positioning.

Ruggedly constructed to weather hard use the Lark comes fully assembled and tested, so why dream about possibilities ... let the Lark show them to you.

SME SYSTEMS

22 Queen Street,
Mitcham,
Victoria, 3132.
Telex:
SMELECA A37213



CHECK THESE

FEATURES

- 25 Mbyte fixed disk storage.
- 25 Mbyte on a self-contained, self-purging removable sealed cartridge.
- 25 Mbyte backup in just 2 minutes.
- 9.67 Mips transfer rate.
- Easy 50 way cable interface to SMD controller.
- Designed and manufactured in Australia.

SME 428

Few palates could
tell that McWilliam's Chablis
didn't come from this small
French village.



This little village in Burgundy has been making an attractive dry white wine for quite a while now. The wine has long been called after the name of the village... Chablis.

They make it primarily from the Chardonnay grape, so do we. Their soil is ideal for Chardonnay, so is ours. Their wine has a delicate bouquet, pleasing fruit on the palate with a clean, crisp, dry finish, and so has ours.

Their prices are astonishingly high, McWilliam's prices are astonishingly affordable... vive la Australie! **m^cWILLIAM'S**

When they graduate in or Arts, they could all



Some in communications. Some in engineering. Some in artillery. Others in ordnance, transport, or intelligence. Or any one of many other different careers available to an officer in the Army.

But whichever career you seek, we can promise you this: there'll be more to do than just sitting on your backside pushing paper. And that's more than can be said for most other professions.

However, first you must graduate.

WHAT OTHER PROFESSION OFFERS A CHOICE OF SO MANY CAREERS?

The officer cadets pictured are on exercises from the Royal Military College, Duntroon. There they are taking degrees as various as Arts,

Science or Engineering. But in between times there's some military activity.

Doing your degree at Duntroon is not quite the same as doing it at a civilian University. It's better. For a start, you're paid a salary. You also have a job guaranteed at the end of it.

And, unlike most other professions, you have 4 years in which to decide on your career path. It is only in your final year at the Royal Military College that you choose which corps you wish to join.

To enter Duntroon you must be an Australian Citizen between the ages of 16½ and 19½ on January 1st of your year of entry. You must also meet the Army's other selection requirements, have matriculated or be doing your matriculation this year.

n Engineering, Science have different careers.



If you're not doing your matriculation until next year, you may be eligible for a Royal Military College, Duntroon scholarship to help you through.

Either way, ring an Army Careers Adviser or fill out the coupon and we'll send you more information.

MELBOURNE	(03) 61 3731
SYDNEY	(02) 212 1011
CANBERRA	(062) 82 2333
PERTH	(09) 325 6222
ADELAIDE	(08) 212 1455
HOBART	(002) 34 7077
BRISBANE	(07) 226 2626

You'll be surprised to find how many careers there are in the one profession.



Application forms are available now.
Mail to: Army Careers Office, GPO Box
XYZ, in your State Capital

I would like more information on:
 Royal Military College, Duntroon
 The RMC, Duntroon Scholarship

Name

Address

..... Postcode

Birthdate

**ACT
NOW**

RMC44.DPS.13

Army Officer

Authorised by the Director General of Recruiting, Department of Defence



*"Timed to perfection,
The Black Douglas is matured
in oak for at least 8 years.
It's a smoother, mellower,
far superior whisky."*

The Black Douglas.

*A name honoured in Scotland
for centuries . . . and still making history."*



C09101 AB00002

Club Call

A new club for Microbee owners has started up on Sydney's north shore. The **Northside Microbee Computer Club** meets on the third Saturday of each month, from 1-5pm at the McMahons Point Community Centre. This is at the junction of Lavender St and Blues Point Rd, just a short walk from North Sydney Station.

A monthly newsletter is produced with software and hardware information and members' advertisements. Club membership is \$20 per year.

For more information phone Tony Williams on (02) 267-7747 during business hours or send a stamped self-addressed envelope to Microbee Users Club (Northside), 6 Tunks St, Waverton NSW

The lack of distributor support for Hitachi Peach Personal Computer owners has resulted in the formation of a club. The **New South Wales Peach User Club** now has more than forty members.

Weekly meetings are held on Saturdays from 2pm at 'Cybernetics Research', 120-122 Lawson St, Redfern.

\$10 is charged for each six monthly membership period. This fee entitles members to newsletters, access to the club software and technical library, and technical advice. Daniel Soussi, the secretary, can be contacted on (02) 698-8286.

The **Devonport Computer Interest Group** will hold its first meeting in Tasmania on Monday, April 18th at a time and place to be notified in the local paper.

For further information contact John Steveson, R.S.D. 422, Sheffield Tasmania 7306. (004) 92-3237.

The **Adelaide Micro-User Group** now conducts meetings at a new venue in Unley, near the Unley Shopping Centre.

It's the Senior Citizen Centre at 18 Arthur St, Unley, on the corner of Beech St.

The Group is for people interested in 6809 and Z80 based computers which includes the various TRS-80s (including the Color Computer), System 80, PMC 80 etc.

QT Computers / Pre-Pak agreement

Pre-Pak is handling all trade and retail sales of computer products, both imported and locally manufactured, previously sold by QT Computers.

Imported products include exclusive distribution of products from California Computer Systems, Teletek, Scion, and Bytek.

Locally manufactured products include a range of mainframes, disk-drive cabinets and power supplies, S100 card cages, S100 motherboards, the SBC 2/4 single board computer and a number of RAM boards up to 256K.

Pre-Pak is also selling peripheral products such as Teac, Mitsubishi and YE-Data disk drives, Itoh, Epsom and Diablo printers, as well as terminals, plotters, diskettes, cables, plugs, sockets and all accessories.

As long as you send a 70c stamp to cover postage costs, you can obtain a free 46 page catalogue from **Pre-Pak Electronics, 1A West St, Lewisham NSW 2049.**

50 Mbyte Lark hard drive unit

SME Systems has released a 50M computer data storage for organisations with large data base requirements.

The Lark hard disk system provides 25M of storage on a removable cartridge and 25M on a fixed disk. It can be used with all S100 Z80 microcomputer systems.

The unit with controller will sell for \$8200 and a second unit for \$6500.

The Lark sub-system will



supplement the SME Systems Unicorn MPU-100 microcomputer system and can be mounted in a standard 19" rack system.

Further technical information is available from **SME Systems, 22 Queen St, Mitcham Vic. 3132. (03) 874-3666.**

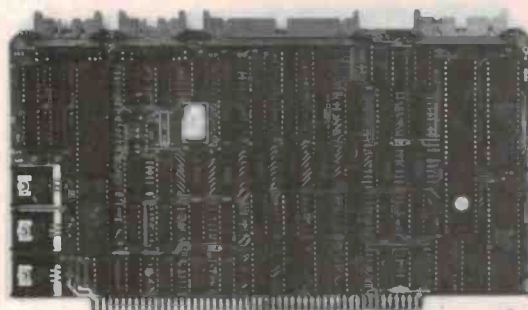
Introducing the first complete single board computer for the S100 bus . . .

SBC100 MASTER PROCESSOR

Provides all resources necessary for stand-alone CP/M operation, yet allows expansion into multi-processor and hard disk systems.

Features:

- Z-80A 4MHz
- Two serial ports (Z-80 DART—SIO optional)
- Two parallel ports (Z-80A PIO)
- NEC 765 floppy disc controller supports 4, 203 mm drives double sided, double density.
- 64K RAM (no wait states)
- 2732 4K EPROM supplied with system executive, may be switched out under software control.
- Intelligent Winchester interface (optional).
- IEEE 696 S100 standard interface.
- Software programmable baud rates.
- Time-of-day clock.
- Will operate stand-alone.
- Expandable into multi-user and hard disk systems.
- 4-layer PCB, all IC's socketted, high quality construction.



**N
E
W**

NOW AVAILABLE:

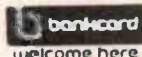
- System 1000 professional single user system and
- System 8000 multi-user, multi-processing system operating under TURBODOS; both based on the SBC100

We also stock VDUs, printers, and a large range of CP/M software.

We can provide individual boards, metalwork, single user systems, or complete multi-processor machines. Write for a full catalogue (enclose \$1) and be put on our mailing list. Mail orders are welcome. Prices and specifications subject to change without notice.



75 Grand Boulevard, Montmorency, 3094,
Victoria, Australia.
Postal: PO Box 158, Hurstbridge, 3099,
Victoria, Australia.
Phone: (03) 439 5257



ELECTRONIC HOBBYIST!

DO YOU LIVE IN ...

Ringwood Lilydale
 Boronia Wantirna
 Bayswater Croydon
 Mooroolbark etc....

We carry a comprehensive range of electronic components at very keen prices.

Ian J. TRUSCOTT ELECTRONICS
 CNR EASTFIELD & BAYSWATER ROADS, SOUTH CROYDON, VIC.
 TELEPHONE (03) 723 3860

16K print buffer

only **\$79**

V-SPOOL

Use your computer & printer simultaneously

SAVE VALUABLE TIME Waiting while your computer runs a printer is wasted time. With V-SPOOL you can continue to use the computer while printing a letter, an invoice or other text. V-SPOOL instantly buffers up to 16K in memory - roughly 6 full pages. You retain complete computer control while the buffered text is printed. Using a letter quality printer, you'll save up to a minute a page.

NO HARDWARE COSTS V-SPOOL costs a fraction of a hardware buffer. It requires no power, will never break down, and is in many cases faster. A hardware buffer may take 17 seconds to fill up. V-SPOOL will buffer the text almost instantly.

SIMPLE TO USE One CP/M command activates V-SPOOL. Its operation is foolproof and transparent to your application programmes.

NO INTERFACING V-SPOOL requires no hardware or software modifications. Just CP/M 2.2. It occupies only 1K of memory space plus the size of the print buffer (variable from 2K to 16K).

Software Source
 89, Oxford Street, Bondi Junction
 (02) 389 6388. PO Box 364
 Edgecliff NSW 2027

THE VIC-20 COLUMN

THIS INTRODUCES our (hopefully) regular column for Commodore VIC-20 enthusiasts. Share your enthusiasm, programs, hints, tips and routines with fellow enthusiasts via this column. Remember, we pay for all contributions. You won't make a fortune from contributions, but it should be some recompense for your efforts — and enable you to buy more midnight oil!

For this first column, we kick off with a South Australian reader's contribution on using joysticks in your own programs. Inspired? Dash off your own contribution and rush it to the Editor immediately.

USING THE VIC JOYSTICK IN YOUR OWN PROGRAMS

Don Thorpe, Glenunga SA.

The first listing shows how this can be done. The two POKES set the joystick I/O lines to INPUT mode. The joystick operates four switches, which I have called north, south, east and west. Any one switch, or any two adjacent switches may be closed by the appropriate movement of the stick. For example, a north-east movement closes the north and east switches. A separate switch is used as a 'fire' button.

The locations 37137 and 37152 hold information about the state of the five switches:

```
37137 BIT 2 N switch 37152 BIT 7 E switch
          3 S switch
          4 W switch
          5 fire button
```

Any of these bits will be zero unless that switch is closed. Line 20 ends by PEEKing at these locations.

In line 30 we meet two less familiar concepts of BASIC.

1. **AND** This operator compares two binary numbers bit-by-bit and forms a new binary number. If the two bits are both '1' then a '1' is recorded in that position of the new number. Otherwise a zero is recorded.

Example: Suppose memory location 37137 contains the number 250, and the accumulator contains the number 4. Let's AND the two numbers:

```
250 11111010
4    00000100
```

In none of the eight columns is there a '1' in the first row AND in the second row. So the result is:

```
00000000
```

Thus the statement (250 AND 4) = 0 is true.

Similarly (250 AND 8) gives 0 0 0 0 1 0 0 0. So (250 AND 8) = 0 is a false statement.

2. In VIC BASIC, a true statement is assigned the value -1 and a false statement is given the value 0.

```
Example: ((250 AND 4) = 0) = -1
          ((250 AND 8) = 0) = 0
```

There are nine joystick positions, usually numbered in the order shown:

```
7 0 1
6 8 2
5 4 3
```

When the user selects one of these joystick positions, numbers are stored temporarily in locations 37137 and 37152. These numbers are shown in decimal form below.

37137	37152
234 250 250	247 247 119
238 254 254	247 247 119
230 246 246	247 247 119

Together, PEEKs P and Q allow the VIC to produce (in a rather messy way) nine unique sets of inputs from the four switches.

POSITION 7	POSITION 0	POSITION 1
N -1	-1	-1
S 0	0	0
W -1	0	0
E 0	0	1
POSITION 6	POSITION 3	POSITION 2
0	0	0
0	0	0
-1	0	0
0	0	1
POSITION 5	POSITION 4	POSITION 3
0	0	0
1	1	1
-1	0	0
0	0	1

In line 30, we see how AND together with true/false set the required bits.

If the fire button is depressed, bit 5 at location 37137 will be '1'. This will AND with the number 32 to make (PEEK(37137) AND 32 = 0) a true statement. Thus, the variable F will have the value -1 when the fire button is depressed and will be zero otherwise.

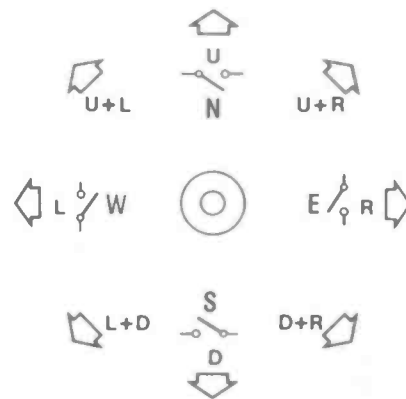
The next POKE restores bit 7 to normal. This is necessary because VIC normally uses this to scan the keyboard.

The final part of the program sets up an array of nine numbers and produces a variable J which can be used in programs.

SMARTIES

The second listing is a program which illustrates the use of the joystick routine. It produces lines of 'SMARTIES' in eight different directions. The colours can be altered using the 'fire' button. If the screen colour is selected, SMARTIES can be erased as required.

A challenging game is to attempt to produce concentric squares, each of a different colour.



The 'directions' indicated by movement of the joystick shaft.



JOYSTICK ROUTINE

```

20 POKE 37139,0 : POKE 37154,127 :
   P = PEEK(37137) : Q = PEEK(37152)
30 N = ((P AND 4) = 0) : S = -((P AND 8) = 0) :
   W = ((P AND 16) = 0) : E = -((Q AND 128) = 0) :
   F = ((P AND 32) = 0)
40 POKE 37154,255
50 DATA 7,0,1,6,8,2,5,4,3
60 FOR C = 0 TO 2
70 FOR D = 0 TO 2
80 READ A(D,C)
90 NEXT D,C
100 J = A ( E + W + 1 , N + S + 1 )

```

SMARTIES

```

10 PRINT "☐": X = 10 : Y = 10 : K = 2
200 V = 7680 + X + 22 * Y
210 W = 38400 + X + 22 * Y
220 ON (J + 1) GOTO 300,230,240,250,260,270,280,290,310
230 X = X + 1 : GOTO 300
240 X = X + 1 : GOTO 310
250 X = X + 1 : Y = Y + 1 : GOTO 310
260 Y = Y + 1 : GOTO 310
270 X = X - 1 : Y = Y + 1 : GOTO 310
280 X = X - 1 : GOTO 310
290 X = X - 1
300 Y = Y - 1
310 IF F = -1 THEN K = K + 1 : IF K = 8 THEN K = 0
320 IF X > 21 THEN X = 21
330 IF X < 0 THEN X = 0
340 IF Y < 0 THEN Y = 0
350 IF Y > 22 THEN Y = 22
360 POKE 36875,128 + (RND(1) * 18 * K) : POKE 36878,15
370 POKE V,81 : POKE W,K
380 POKE 36857,0
390 RESTORE
400 GOTO 20

```

COMPUTER COMPONENT *BARGAINS*

MULTIMETERS
DIGITAL — SINCLAIR
FULL RANGE METER
\$39.00

NEW IN BOXES
DELUXE MODELS **\$89.00**

**BIG RANGE OF SANWA METERS
AT DISCOUNT PRICES**
Phone for best deal in Australia.

MEMORY BARGAINS

2114 ... \$1.25	4116 ... \$1.25
6116 ... \$4.98	2516 ... \$4.88

2764 ... \$9.98

ANY QUANTITY!

SUPER SPECIAL

2532 ... \$4.88

(\$3.99 for quantity of 100)

All plus 20% if applicable

VIC 20 COMPUTER \$298.00

(Incl S/T)

Complete with Data cassette I/Face or
Commodore Data cassette for just \$69.00
(incl. S/T)

* Full range of accessories

* Fabulous A.S.K. educational packages
\$25.00 ea.

* Software etc.

**TRIO CROS — Best price
in Australia.**

All above freight free in Australia.

**EX T.A.B. (Back in stock)
POWER SUPPLIES \$19.00**

LARGE 17" WIDE CABINETS WITH FAN
(240V) \$8.00

KEYBOARD \$8.00

Freight forward to your railhead.

**GREEN SCREEN MONITORS
\$199.00 freight \$4.00**

MPI DISC DRIVES IN STOCK

CHECK OUR PRICES THEN WE WILL WAIT
FOR YOUR CHECK.

MPI51 \$268.00 MPI52 \$368.00

MPI91 \$409.00 MPI92 \$499.00

APPLE SLIM LINE DISK DRIVE \$369.00

+ 20% Sales Tax. Freight \$3.00

EPSON PRINTERS

RX 80 FT III — \$688.00

MX 100 FT III — \$1150.00

Includes freight & sales tax.

**WE WILL NOT BE UNDERSOLD ON
EPSON, COMMODORE, APPLE, NEC,
C'ITON AND OSBORNE.**

DATA PARTS PTY. LTD.

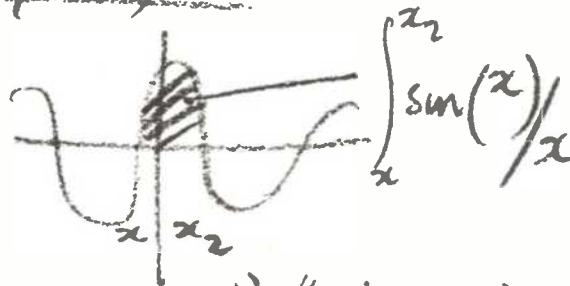
11 Edward St., Shepparton Vic., 3630
Phone 21 7155, 21 0240 (058)

$$\frac{d}{dx} \left(\frac{u}{v} \right) = \frac{v(du/dx) - u(dv/dx)}{v^2}$$

$$i^2 = -1$$

$$\int u dv = uv - \int v du$$

$$y = \frac{\tan k^4 5267}{(4 \times 783)}$$



$$(314159 + 7.32i)(c + 100i) = (314159c - (7.32i \times 100i)) + ((3.14159 \times 100) +$$

$$F(t) = \frac{1}{2\pi i} \int_{c-i\infty}^{c+i\infty} e^{st} / (s) ds = (314159c - 732i^2) + (314159 + 7.32i)c$$

$$[r(\cos\theta + i\sin\theta)]^p = r^p(\cos p\theta + i\sin p\theta)$$

$$\hat{A} \cdot \hat{B} = \hat{A} \hat{B} \cos \theta$$

....or get a new Hewlett-Packard HP-15C.

They're the options. You can spend hours with a pencil working out a seven-equation problem or you can spend around 28 seconds with the HP-15C.

It's possible because of the two new sets of functions, never before built into a Hewlett-Packard calculator: Matrix and Complex number operations.

Once matrix elements are defined, matrix arithmetic inversions and transpositions are keystroke-easy.

Up to 64 matrix elements can be stored in the calculator's memory and these can be distributed among five different matrices, this model also has solve and integrate keys.

In addition, the HP-15C's arithmetic and transcendental functions (exponential, logarithmic, trigonometric and hyperbolic)



operate on complex and real numbers.

And to make your decision even easier, the HP-15C programming features include up to 448 lines of dynamic continuous memory, five user-definable keys, 25 program labels, insert/delete editing, 10 flags, 12 conditional tests and indirect-programming control.

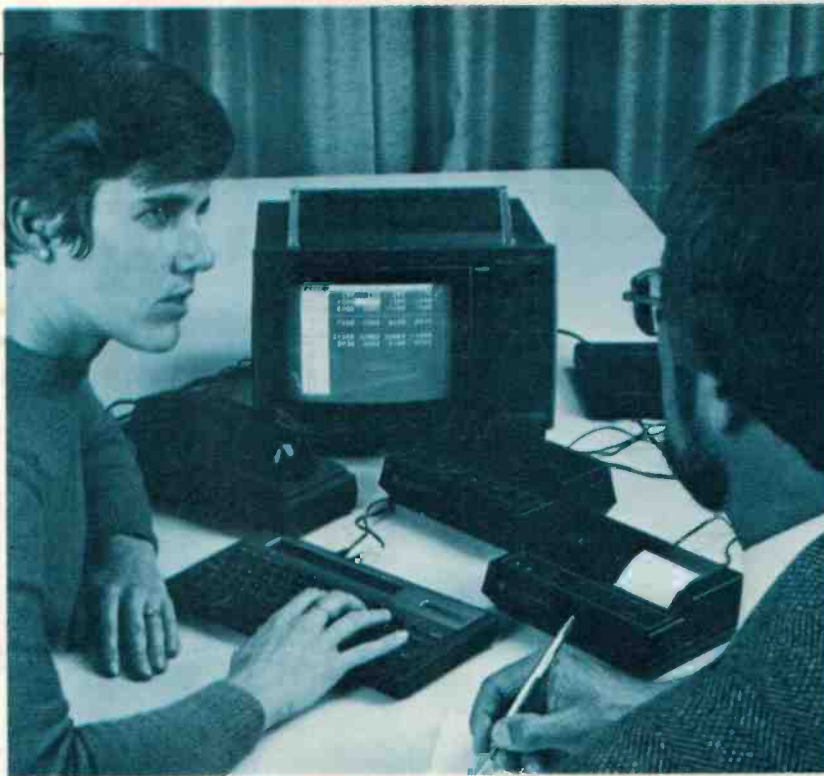
Do you really have any choice?

To see the new HP-15C calculator, call Hewlett-Packard Personal Computation Group for dealer locations.

Sydney: 887 1611; Melbourne: 890 6351; Adelaide: 272 5911; Perth: 383 2188; Brisbane: 304 133; Canberra: 80 4244.

 **HEWLETT
PACKARD**

HP78R/2



HP-75C portable computer

Jonathan Scott

A powerful beast. The first of a new species of portable computers which fit in a briefcase. Though designed for the business person, anyone will find it useful. Good value, but limited by the current size of the user memory, though probably not for long . . .

A REVIEW OF A TECHNICAL PRODUCT gives an assessment of a product's relative standing in the marketplace and compares it technically and subjectively with its competition. The reviewer, experienced with similar products, usually gives an opinion of the product's value for money. However, the HP-75C is the first one of its class in Australia so it's not possible to review it in the usual manner.

Don't let anyone tell you that it can be compared with programmable calculators or home computers of the Apple/MicroBee species. It is also not in direct competition with the 'hold in the hand' BASIC machines offered by Sharp and Tandy.

A rare beast

The HP-75C is labelled a 'portable computer' and is primarily aimed at the businessman. The scientist or traditional calculator user will find it useful too but it is not targeted or tailored for them. What we have here is a new and novel beastie.

So what is a portable computer? This review aims to answer that question and explain the differences between the HP-75C and other species. What it can do and what it is not suitable for will also be explained. In this review you'll also be given a feel for the 75C in a purely engineering sense, analogous to describing the sensuality of driving a proper sports car.

The handbag computer

The 'portable computer' has often been described as being aimed at the 'briefcase' market. The computer is packed with capabilities beyond the needs of a home enthusiast. And it's packaged so that it will fit comfortably in a briefcase. This means it can be operated on your desk or while perched on your lap when you are on the train on the way to the office.

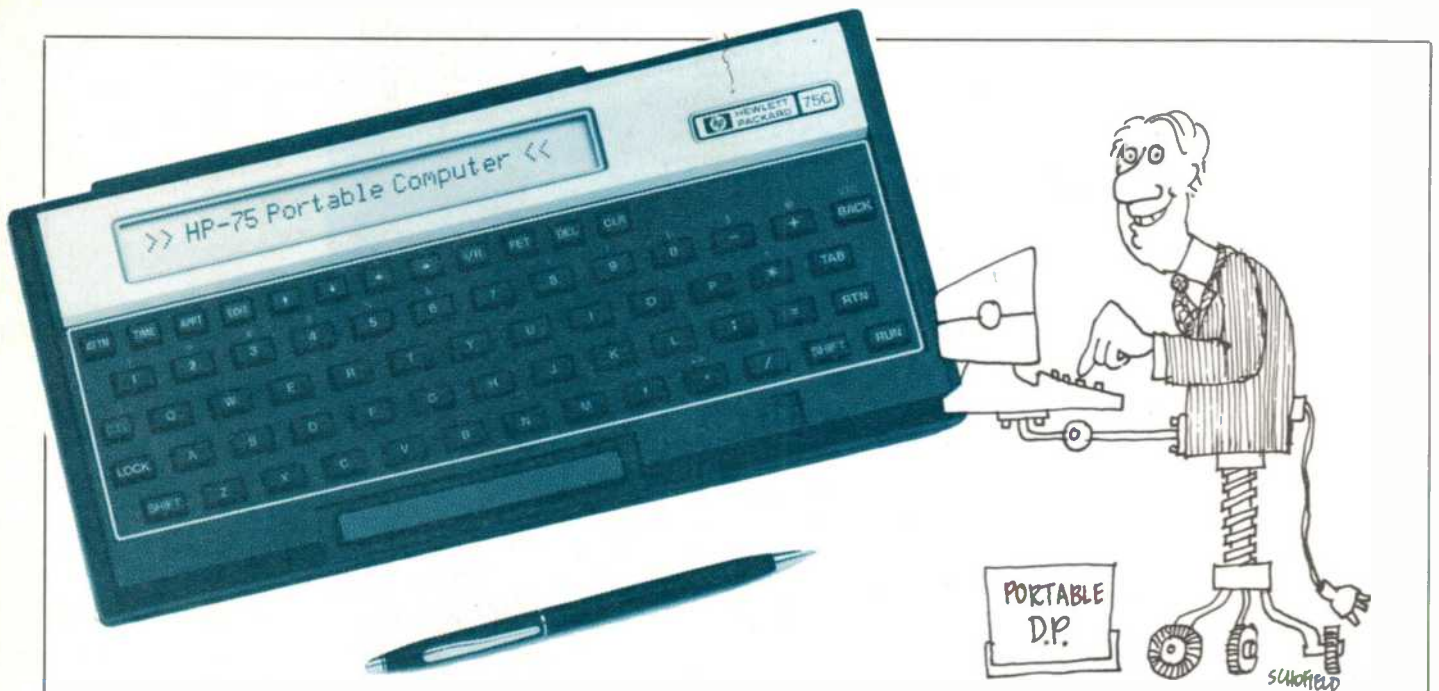
Several manufacturers have already released or are currently in the final stages of testing such models. Digital Equipment have the WC11 (which runs PDP-11 and

LSI-11 software) at the prototype stage. Tandy, Commodore and Texas Instruments are also talking about their models which should come out soon. But Hewlett-Packard have already released the 75C worldwide.

A market research firm called Future Computing Inc. estimates that the market for pocket and briefcase units will top \$1500 million by 1987. So the early arrival of the 75C will no doubt be an advantage. It is safe to assume that there will be, as always, imitators of HP, but the first *good* item on the market has a strong head start.

So what is the HP-75C?

It is a small package about 125 x 260 x 30 mm in size. It sports a small tactile feedback QWERTY keyboard with a number of additional control keys as has been the excellent practice on all HP desktops for many years. There is also a 32-character LCD display (lower case has descenders making the display quite pleasant and easy to read).



It has 16K of RAM as standard with expansion to 24K available now. Expansion to 32K is slated for release when memory becomes dense enough to allow 16K to be packed into the RAM expansion pocket, which is in the battery compartment.

There are three ROM drawers in the front of the machine and each of them will accept a 16K ROM module — more of this later.

The operating system is a hefty 48K (compare this with the total of 16K of BASIC and OS in the Apple II plus). It will be immediately obvious to the well versed user that this system will be astonishingly rich and comprehensive.

There are connectors on the back for the charger and the HP-IL interface which is HP's own small machine buss system.

Finally, almost small enough to go unnoticed at the front of the keyboard, is the entry for the on-board manual card reader/writer. This brilliant mechanism provides file storage on magnetic cards pulled through the reader by the operator's own hand, saving the cost and trouble of the mechanical drive system of previous generation card readers.

Before you reread the last few sentences to clear the glut of exciting thoughts, let me say that we will discuss each of the features in a little more detail shortly. Think about this — it is a machine with large home computer facilities, mass storage, display and keyboard, buss connection ability, expandability and low power consumption. And all this in a wrapper that fits inside even the thinnest executive briefcase or a handbag.

It also has three hidden properties which push it beyond what you have previously seen on your side of a system terminal.

(1) It always keeps time, from date to millisecond, making it available to both user and program. It can even fine-tune its own on-board reference crystal when compared to a standard.

(2) It is never totally 'off' and will keep track of appointments years ahead if necessary, sounding one of several different sorts of

alarms at the required moment and giving any message you entered.

(3) It has a *file-structured operating system* which allows tremendous power and generality in its programs. This last item is the key to the understanding of the power and scope of the operating system.

It is more friendly, in the software sense, than any terminal I have ever used. Yet it reminds me of the full file-structured arrangement on a Cyber mainframe from Control Data.

So that's it in a nutshell, well, briefcase. What it will do and what it will not do will be discussed next.

Tortoise characteristics

The HP-75C is slow. This is because it was necessary to be stingy with regard to power, considering the power required to put so much on line for 20 hours between charges (i.e.: 20 operating hours). For a battery unit it is, in fact, damn fast. A for-next loop (a good benchmark) takes about 2.5 ms. 'Sine' takes nearly 50 ms. Dividing one variable by another takes 2 ms. There are mains powered home computers on the local market that are slower, but I will spare them the embarrassment of being named. The 75C is many times faster than certain other LCD types of 'pocket computer'.

It is excellently engineered but a necessary trade off puts it in the slow class. Consequently, forget about using it for numerical problems of a scientific nature if they are heavy on CPU time. You could run it for a week and be well behind a VAX run of 20 minutes.

It should also not be recommended for real time control operations, but then it is hardly likely to be asked to do this. A little slow but intelligent data logging is the limit. I do not regard this as a limitation. It is only an annoyance. For instance, although the keyboard permits touch typing, I can easily outrun it if I type at my normal speed as it has but one stroke of input buffer on the keyboard interface.

Dinosaur characteristics

Another limitation is the current size of the user memory (16K). It is quite untenable to run any program which requires overlaying. To use the on-board card reader would require the operator to stand around and be the mass storage device. Even though the HP-75C can be connected via the HP-IL to a microcassette drive, which looks like a disk does to a terminal, the speed is predictably terrible. It takes some 20 seconds to record a typical file on tape. This is an excellent system for backup and storage of programs not in immediate use, but not acceptable as a midprogram reference.

The 75C is built for programs of just a few kilobytes using no vast arrays of data, and is not slated for elevation to the 64K-plug memory bracket. If anything holds it back from great success it will be this property. A year ago I used machines of comparable size with 64K of RAM, although they didn't have all the other features. So in today's market this is a small memory machine. The under-2K type of pocket computer is even more ridiculous, of course, but then they do not pretend to be the same class of machine. They are more a computer user's pocket calculator.

So there are the limitations. If you can accept these, the 75C can be regarded as probably the best machine available to do your job. It is almost as fast to enter a program in HP BASIC into this unit as it is to create a program on a pocket calculator of the 15C type, yet you have a relatively vast amount of memory and a truly extensive operating system and range of commands. Thus it is almost as useful in the small job situation, such as one finds in the lab, as is a pocket unit. It is rather more cumbersome for direct, nonprogrammed mathematical calculations, but it will do them. In addition, it can tackle many problems that devices like the HP-41CV would find just too large.

The inner intricacies and finer points will now be described. If you are not academically

About the only thing conventional in a Cromemco Computer System



From the beginning, Cromemco products were designed for the high end of the microcomputer market. Today Cromemco is widely recognised for producing high quality and performance computer products that are used in such diverse applications as engineering, science, research, education, process control, medicine, business, word processing and a wide range of other applications.

The variety of software available for Cromemco computers includes, COBOL, FORTRAN, BASIC, RPG, LISP, C, RATFOR, Multi-user, Multi-tasking, disk operating system, Networking and IBM communications protocol, as well as the wide range of CP/M compatible software.

For further information about the range of professional Cromemco computer products, contact the professionals:

 **Cromemco**

AE ADAPTIVE
ELECTRONICS P/L

418 St. Kilda Road, Melbourne. 3004.
Tel: 03-267 6800.

The Professional Personal Computer

POWERFUL AND LOW-PRICED

From the beginning, Cromemco products were designed for the high end of the microcomputer market and now, the company has released the professional personal computer. The new and powerful low-priced C-10 is more than just a sophisticated home computer. The Cromemco C-10 is perfect for the serious personal computer user, the executive work station, for distributed data processing or as a front end for a mainframe computer. The new C-10 is based on the industry standard high speed Z80A microprocessor and has 64K bytes of internal user accessible RAM and 24K bytes of internal ROM.

COMMUNICATIONS AND NETWORKING CAPABILITIES

The powerful C-10 comes with an integrated intelligent high resolution 12 inch CRT with a detached, light and easy to use keyboard. It has all the necessary communications ports built-in and has been configured so that it can take advantage of C-Net, Cromemco's local area networking system which is capable of linking individual computers together to form a distributed processing system or "automated office". In this way, one of the normal network functions capable of being implemented by C-Net's network control software is electronic mail storage and delivery. The electronic mail program is a post office simulator that not only delivers electronic mail, but also holds mail for users who are not logged onto the network.

WIDE RANGE OF APPLICATION

One of the most powerful uses of the C-10 is seen to be in networking applications. Under C-Net, C-10 microcomputers are able to communicate with each other and share peripheral resources such as printers and hard disk drives. In this way, executives using C-10 work stations can create, edit and have documents printed and distributed at various other locations throughout the organisation.

Whilst the automated office is one very important application of local area network technology, it is not the only application

of value. Factories and manufacturing plants are two other areas where C-Net can be combined with the power and cost-effectiveness of microcomputers to increase productivity. C-Net and Cromemco's new C-10 personal computer will also have a significant impact on schools and universities, and will enable the integration of computing power at many different levels. For example, under a C-Net local area network system, students can access and load centrally maintained data and system/library programs off a central hard disk and into their own machine, load test data via the C-10's floppy disk drive, execute the program locally and then print the results on a centrally located printer; students thereby being responsible for maintaining his or her own program and data diskettes.

POWERFUL SOFTWARE

The C-10 has a wide range of peripherals available including floppy disk drives and a low priced letter quality daisy wheel printer. Furthermore, the special Super Pack configuration includes a CP/M compatible operating system, 32K Structured BASIC, Word Processing and Financial Spread Sheet Software. Besides access to the entire range of other quality Cromemco software (such as FORTRAN, COBOL, RATFOR, LISP), because of its CP/M compatibility the C-10 gives the user access to the widest possible range of micro-computer software products available.

UPWARD COMPATIBLE

The C-10 is an important milestone in microcomputers as it is the first personal computer that allows upward compatibility through an entire family of computer hardware and software products. A user could start with a C-10 and advance to Cromemco's high performance D-Series 16-bit micro-computers.

AVAILABILITY

For further information on the new professional personal computer, contact your Cromemco dealer.

**AE ADAPTIVE
ELECTRONICS P/L**

418 ST KILDA ROAD, MELBOURNE 3004. Ph: (03) 267 6800 (4 lines). Telex: AA32565

>> HP-75 Portable Computer <<



Peek and poke. Close-up view of the HP-75 LCD display and the array of function buttons (operating mode, cursor control and special function keys).

interested in the engineering of the 75C, and you are sure that this is not the machine for your needs, then this is the point to cease reading.

Time mode

The 75C has three distinct modes of operation — Time, Appointment and Edit. Edit is where the normal computing is done.

Time mode exists purely for setting the time and display formats, setting and adjusting the time itself and fine tuning the device's timekeeper. The date format can be US or European. The time is 24 hour or AM/PM. The calendar used by the appointment mode may be set to assume appointments to be less than one year ahead. Or it may be instructed to attend to years-ahead type of appointments if you wish to go to the effort and pay the memory bill.

The time may be set by either entering a date/time setting directly or by telling the computer the relative amount to be added or subtracted from the current time. If given two times spaced a week or so apart and told that both are 'exact', the 75C will compute a correction factor (soft implemented) to compensate for small errors in the internal reference.

The clock functions make four BASIC words available: TIME, TIMES, DATE and DATE\$. TIME gives the time today in the form of the number of seconds since midnight, as a real number to three decimal places (milliseconds). TIMES is a string looking like 'HH:MM:SS'. Date data is similarly available. DATE is in the form YYDDD (7th of January 1965 would be 65007) and DATE\$ appears as 'YY:MM:DD'. Very useful indeed!

Appointment mode

Appointment mode allows the setting, inspecting and acknowledging of appointments which are data/time combinations stored in the memory with appropriate commands or messages. The 75C wakes up and executes commands or delivers messages whenever the appointment time arrives.

Appointments are simply set by means of a template. This means that when you wish to set an appointment you are given a display of the form 'Day Dy/Mo/Yr Hr:Mn**#1N!Note'. Next you type in the minimum of required data. For instance, if the appointment is for next Thursday, type 'thu' over 'Day' and skip all the date stuff which will be supplied by the HP to fit the very next Thursday from now. Then enter the time where the ** means 24-hr mode or AM/PM. The number after the # tells the HP what sort of noise you want as an alarm, from none to a perpetually occurring siren. The following alphabet character decides whether the alarm is to be a one-shot or whether it is to repeat at some interval. If repetitive, it will ask the interval

with another template. Finally, the right hand field contains a message, or a BASIC command such as to run a program.

In Appointment mode you may thumb through the appointments currently in the file. Although associated with the special part of the OS which manages and responds to the entries, the file of appointments is a free file in the computer's memory. So it is possible to edit this file under program control or put it on mass memory or replace it with a different appointment file or even merge it with another appointment file. Thus the appointment system can be very flexible and, as the machine is always watching whatever file is called 'appt', it is quite powerful.

Because of the machine's size it is not much more difficult to carry around than a notebook. Consequently, one finds oneself putting all the things you have to remember into the appt file, confident that this 'book' will not only hold your appointments, but remind you to read it at the appropriate moments!

Edit mode

This is where the file handling and computing is done. There are appt files, key files, BASIC files, TEXT files, LEX files and LIF files.

The appt files, we have already noted, are associated with the appointment system. Only the one called appt (lower case, no quotes) is scanned by the appointment part of the OS, but other appointment files may reside in memory under other names. They may also be handled by any on-board process which does not specifically require some type of file. For example, they may be merged with other like files, but of course they can't be run as a BASIC file.

'Key' files are similar to appt files. The active key file is always lower case and not in quotes and is always taken into account by the OS. Other key files may reside, but only one is active. The active key file modifies certain or all of the front panel keys. Any keystroke may be redefined by use of the 'def key' statement which permits any string of characters to replace the character of the redefined keystroke. For instance, we might replace the '!' key with the command "run'prog1'". Now every time you go to type '!' the program 'prog1' will run.

Although any and all keys may be redefined it is usually stupid to redefine keys you are going to need a lot, for obvious reasons. You could turn all keys, shifted keys and control keys, into the symbol '9'. But that would mean that you could not do anything or regain control without resetting the whole computer and losing all memory. Unless you redefine it too, the command shift I/R will restore original keystrokes for one key, only by effectively telling the 75C to ignore keys

for one input. You can override the off command by redefining its key under program control, etc. So the astute reader will now begin to appreciate the amount of deviousness which is possible by fooling about with the keys...

In general, it means that all your common commands or keystroke combinations can be reduced to one press each by having suitable redefinitions active. As most of the control-key combinations are not going to interest the user much there are plenty of keys on the keyboard which can be sacrificed to give you a repertoire of user keys. Several different repertoires may be built up. For example, you may have a set of key definitions useful when developing programs, another for running them and another for debugging. The one you need may be made the active one simply by renaming it as key (lower case, no quotes for the active file).

BASIC files are self explanatory. They are files containing only those characters it is legal to have in a BASIC file, which means most of the legal commands of the HP, inclusive of OS type functions such as editing commands, etc.

There is one property of HP interpretive machines which affects only BASIC files and with which you may not be familiar, because no other make of computer I have ever seen possesses it. Each line of a BASIC file is checked for syntactical errors as it is entered. Errors, which on another machine would only show up at run time, are instantly detected and brought to the user's notice while the line is fresh in the mind. No line containing an illegal statement can ever be entered. Lines with ambiguous mathematics, missing brackets, typos, unsupported functions, incorrect parameters, too many parameters, incorrect delimiters or forbidden command sequences can never appear in a BASIC file because they are found as soon as you press return to enter the line. This is just beautiful. It is by no means new to the 75C, but it is worth a tremendous lot to a program developer. This asset is largely responsible for the unique degree of 'friendliness' achieved by HP machines.

TEXT files are files which may contain anything. The main difference is that no check is applied at the input to see that it is legal for the particular job, in the way that BASIC or appt files are checked. TEXT files may be converted to BASIC files and vice versa, but the checking is only applied to lines going into a BASIC file from a TEXT file.

TEXT files are primarily useful as data repositories. The HP implementation of BASIC has data and read commands as does the usual BASIC of other manufacturers. But as we've already said, it is in a file orientated environment so it is well equipped to use one file quite apart from the input data file being run in the program, as one does on a terminal in a large system OS. Such files, which might contain names and addresses or a shopping list or a company stock list, are TEXT files.

Similarly, output need not be printed or displayed but may be stored away as a TEXT file either for printing later, plotting or as a data file for another program to use as input. Or it can be used for all of these functions.

As an example, a BASIC file called 'ACCOUNTS' might act on input file ▶

'FEBSALES' to produce 'BILLS' which will be used by 'PRTBILLS' to produce a set of account statements on a printer for posting. 'PRTBILLS' will use 'CLIENTS', as well as 'BILLS', to output the addresses to which the statements must be posted. When a payment is received 'PAYIN' will modify 'BILLS' to show what is paid as well as print out the receipt to be posted to the address that is supplied by 'CLIENTS'. And so it goes. 'FEBSALES', 'BILLS' and 'CLIENTS' could be organised as BASIC files, but it is probably easier to just have them as lines of text, searched by the BASIC program accessing them. They would then be TEXT files and could be typed in as they appeared in the record books of the last accountant.

LEX files are 'Language Extension' files. These are binary files which make more command words available in the language. The user does not write these — they come from HP. As was mentioned earlier, there are three small drawers in the front of the 75C which accept 16K ROM expansion pods. LEX files, scheduled for release later, will most likely be available in this ROM form. Although it is possible to have a RAM-resident LEX file, it is perhaps better to have it in a ROM form as then none of the free (and precious) memory is lost. It is anticipated that these files will be specific to some discipline such as accounting or electronics, etc. The ROM pods, it should be made clear, do not need to contain LEX files alone. They may have runnable BASIC files or whatever else.

The final type of file is a LIF file, or 'Language Interchange File'. These exist to facilitate the transfer of files from 75Cs to other types of machines. BASIC and TEXT files may be transformed to LIF files, and vice versa, for transmission or receipt of foreign files. This facility will be important to the user who wishes to hook up his 75C to a larger company system. Not useful otherwise.

Yours to command

As was pointed out earlier the OS is particularly rich and comprehensive. In such a short review as this it is not possible to mention all the ingenious and useful things the 75C can do. Briefly, some of the unusual commands are:

POP which kills the last subroutine call return pointer in case you decide that this subroutine should never return;

PUT which places a character in the keyboard buffer under program control (very devious and useful when appreciated);

LOCK which places a password on using the system, just like a terminal;

CALL which allows entire programs to be run separately as if they are subroutines, but without the interaction of variables;

EPS is the smallest non-zero entry;

INF is the largest entry;

DIV for integer division (or the 'X' symbol);

ON TIMER # which establishes regular interrupts to one of any number of routines;

DEFAULT OFF/ON which disallows or allows the substitution of default values for results of otherwise illegal operations with a warning message instead of 'halt with error' message, e.g. use of a variable not previously defined or division by 0, etc.

These are just a few to stimulate interest.

There are also quite a few powerful (though not novel) development and debug commands which you may be surprised to find in this little box:

FETCH 'string', line no which seeks a particular string in the file being edited;

TRACE FLOW/VARS which enables a short form execution pathway explanation;

RENUMBER which renumbers all lines and adjusts all jumps and line references to match — particularly necessary for unanticipated MERGES.

Is it worth it?

Supplied with the 75C given to ETI for review were the microcassette drive (HP-82161), the 'two-inch' thermal printer (HP-82908B) and the video interface (HP-82163). There are also available for the HP-IL buss a plotter, an 80/132 column impact printer and numerous application books. And soon to come are an interface to the IEEE buss, 8- and 16-bit straight interfaces, RS232-C interface and ROM plugs.

Prices without sales tax are:

HP-75C	\$1395
Microcassette	\$617
Thermal printer	\$617
Video interface	\$308
8K expansion (to 24K)	\$275
7470 plotter	\$2000
Impact printer	\$1185
Books + cards of progs	\$49 ea.

Commenting on value is very difficult, as was pointed out earlier. The 75C is a machine whose OS stands out as supreme and I am thus tempted to say that it is excellent value because of this. However, the OS has evolved over more than a decade and is remarkably similar to the one in the HP-85 and 87 and indeed the 200 series desktops. (There are plans for the release of a cross-development package for the transfer of 85/87/9836/9826/9816 software, even in Pascal, to the 75C.) This implies that there are fewer development outlays to be written off in the initial costs of the 75C firmware than one would have thought at first. So the price does seem high. Nevertheless, it is not bad value for your money. It's the price one would expect to pay for a sophisticated product. You may rely on the fact that you are not getting a raw deal on the 75C itself.

The 8K of expansion is excellent value. I would have advised that you shouldn't think of buying a 75C without it. However, the impending release of a 16K expansion board would make the 8K obsolete. If you are able to pin HP to a date when the 16K expansion board will be available, then hold out for it. Considering the RAM size, it would be worth it at more than double the money. It could be agonising to find yourself with an 8K board in 12 months time!

The microcassette drive is an excellent piece of engineering in itself. It stores around 130K on a microcassette which is moved and read very fast by a battery operated unit. To program, it looks like a disk. It is driven using file specifiers within file names, like a mainframe system. However the 75C comes with its own mass storage which is not as nice, but not \$617 either! I would say that this is the only way to go if you plan to do serious business programming like the accounting example I gave earlier. Talk your

company into buying you one, but I do not think you will get value for your own dollar, already having a card reader.

If you develop programs larger than a few kilobyte it is painful to do without a printer. And I must, in all honesty, say that I used the printer. But I recommend that you try to do without one. It is costly and nasty in the size sense. The two-inch species of printer is not really worth it. One such printer would be good value shared between three to six 75C users, each with their own 75C, but not otherwise. With the HP-75C's impending ability to hook up to big brothers, the printer can be circumvented.

The impact printer would need some justification in view of its cost, but if your application looks like needing a document quality printer then consider it. ETI has not seen it and so is not in a position to comment on this unit's value. It is my personal (but definite) opinion that a better way to go would be an interface (RS232-C?) and something like a letter-quality Olivetti daisywheel printer/typewriter. One should be able to get a superior printing system of immaculate quality for around the \$3000 mark.

In a nutshell, avoid the printer if possible. This is *not* to be taken as a reflection of the printer's engineering quality. The small thermal printer is a good example of its genre. It is fully self-contained and battery powered. Compared to a mains powered thermal printer, this printer is fast! It has a buffer allowing the system to avoid being slowed down on small print jobs. *It is a good printer, but costly for what a user of a continuous memory device with built-in mass storage will be likely to get out of it.*

The video interface is likewise a good piece of engineering. Perhaps I am not the person to comment on such a device as I have a strong aversion to any system that puts characters up on a plain TV or raster type monitor. The interface needs a good quality monitor in order not to strain the eyes. It has both TV and video outputs and keeps two screens of data in its memory.

If you have the printer you will find that it is relatively easy to do without the monitor facility. However, if you are going to use a program that puts a lot of data up for the operator to view simultaneously, you will need the video interface. I would suggest that you buy the 75C and familiarise yourself with it first, before making a decision about buying the video interface.

Although I did not see any of the application books, they are available and experience suggests that \$49 each, including the contained programs on card, will be good value. Application packages tend to be general and thus rather inadequate for a user's specific job. But in the past HP have provided excellent explanations and documentation so you can modify their programs to suit your needs. This, coupled with the fact that the programs are on (modifiable) magnetic cards, means that the cards will be useful. Although sometimes the ROM based ones are not so useful.

All in all, I was very impressed with the HP-75C. Make sure that it will suit your requirements. But I have no doubt whatsoever that you will be continuously using this forerunner of a powerful line of portable computers. ●

ALL RIGHT, after last month's little 'hunt the missing program' game, now we know there are lots of eager readers of the MicroBee column. We didn't leave it out on purpose just to find out if anyone was reading the column ... honest!

The following program was meant to go between the second last paragraph and the last paragraph of Michael Alexander's 'Cassette Backup' item. For reasons best known to the fairies that live at the bottom of the darkroom, it was omitted. (It had better be *here* — Ed.)

```
10 FOR R=0 TO 6:READ A:POKE R,A:
NEXT R:A=USR(0)
20 DATA 219,2,23,211,2,24,249
```

Try that.
All right all you Bee hackers, keep those hints, tips and programs coming!

GENERATION OF SIMULATED ROEHN FUNCTIONS ON THE MICROBEE

Tom Moffat, Ferntree, Tasmania.

Most students of high school mathematics would be familiar with Roehn functions. They were first discovered over 100 years ago and have since been applied to many fields of scientific endeavour.

It isn't generally known that the original UNIVAC computer, delivered to the United States Census Bureau in 1951, wasn't working exclusively on census figures. During 'unofficial' times, such as nights and weekends, it was put to use by a top secret task force calculating Roehn functions for the National Defence Office. Now days Roehn functions and their derivatives are being used by the National Space Agency, the Queensland Department of Primary Industry and the Korean Central Computer Office in Pyongyang.

It's also understood the guidance programs for the Cosmos 1021 surveillance satellite that made headlines in January this year were written around Roehn functions.

In the classical method, Roehn functions are generated by limited iterations of single-degree steps of the included angle, X. This is a long and drawn out process that explains why the power of UNIVAC was so quickly put to the job. But now the method has been much simplified, at the expense of a slight decrease in accuracy of the results.

In 1968 an East German scientist, Eduardo Gutenberg, discovered a way to calculate all the Roehn functions in one quick process. Gutenberg realised that by taking the largest function first and then decrementing each result into its previous haversine, it was possible to bring the whole process into itself with the result that a near-infinite number of Roehn functions could be produced with only one

series of program steps. The collection of all these procedures is now commonly known as the Gutenberg Transform.

The Gutenberg Transform is easy to implement on the MicroBee, with a short routine that places the Roehn functions into the turnaround area of RAM and then brings them out again as a complete series, that is, as the whole circle. Since the concept as implemented on the MicroBee is somewhat fragile, it's suggested that you ensure the program is safely saved on tape before attempting to run it.

It's certain that anyone who experiments with Roehn functions and their simulation as the Gutenberg Transform will soon understand the true value of this technique.

```
00100 REM Gutenberg Transform program
00110 FOR A=62464 TO 62490
00120 READ B
00130 POKE A,B
00135 NEXT A
00140 A=USR (62464)
00150 DATA 205,42,128,33,0,248,17,255,255,126,47,6,8,23
00160 DATA 203,25,16,251,113,35,229,237,82,225,56,239,201
00170 END
```

Polemical solutions to Gutenberg-transformed Roehn Functions on page 137.

HARDWARE-SOFTWARE TIPS

Colin Johns, Waverton NSW

My MicroBee is now nine months old, and the following tips are intended to help other kit owners progress a bit faster than I did!

With a really good program the 'Bee is a fantastic machine for the money, but unless you want to buy all your programs on cassettes it is not easy to find suitable listings. TRS-80 programs are a good source if there are not too many POKE instructions as the 'Bee uses different memory locations for the screen, etc.

Remember to change any PRINT@ statements to CURS and change SET statements to SETH to avoid having the graphics inverted due to the 'Bee's different way of inverting the Y axis.

Change any HOME to CURS 1 and use INTEGER constants wherever possible and ignore any INT statements since your constants are already INTEGERS.

On the hardware side, the following ideas may be useful to kit owners. Originally, Applied Technology advised using a 3 V memory backup battery, but now a 4.5 V battery is recommended as this prevents odd bits being lost from programs. However, it is still good practice to switch the 'Bee on after your monitor and printer etc, and off first to avoid power supply glitches.

I cured a very annoying hum modulation problem by soldering the leads from the plugpack directly to the ends of diode D15 (after checking the polarity of the leads several times). I also replaced the input protection diode D14 with a 3 A type, the original ran too hot for my liking.

Finally, I took the two 5 V regulators off the printed circuit board and attached new ones, without the heatsinks, directly to the heavy metal base of the 'Bee where they remain delightfully cool. You have to run four leads to the printed board which makes service slightly more difficult, but the reliability should more than compensate. (You may need 1u tantalums across the OUTPUT and REF. leads of the regulators to preserve stability ... Ed.)

Two modifications to the 'Bee are very useful. First, buy an extra keyswitch and blank keytop and install these beside the spacebar on the bottom row of the keyboard. Wire one side of the switch to earth, the other contact to pin 24 of the Z80.

This is the WAIT pin and grounding it will halt execution of the program or listing without destroying any information.

Releasing the key allows the unit to continue. I found this a very useful addition.

The Z80 can function at over 4 MHz and this frequency is available from pin 9 of IC32. To run the 'Bee at 4 MHz, lift pin 8 of IC32 from the pc board and solder a lead from the IC (carefully) to one side of a SPDT switch (which I mounted beside the BREAK key). Connect a lead from pin 9 of the IC to the other side of the switch and from pin 8 to the moving arm — these last two leads are taken from underneath the board.

Press the WAIT key while changing the switch — strange things can happen if the Z80 misses a few clock pulses while it is operating! At 4 MHz the 'Bee really has a sting, even BASIC games such as Tennis become a challenge.

Note that this mod. is not an approved A-T one, but I have not found any problems in any machines which use it. Of course, the sound range is higher and cassette loading speeds are doubled too.

Learning to program the 'Bee would be easier if there were lots of programs available from which to pick up points and routines. The excellent game 'FOUROW' which was published in the June '82 edition of *Microworld Report* is a good example of the capabilities of the 'Bee, and useful routines such as the PCG Generator program by Harry Purvis (published in the December '82 edition of 'Your Computer') help tremendously.

The best book of programs for beginners I have found so far is 'The A to Z of Computer Games' by Thomas McIntire. This does explain how programs work, but there is a bit of recoding to be done (he uses P for one player, P1 for another etc), but using the GX function to change illegal functions will soon get things moving.

If your MicroBee programs do not work, look out for the following.

a. If you see STACK OVERFLOW ERROR after using a program for a little while, you have probably used an illegal exit from a FOR-TO loop, use the NEXT construction as per this example:

```
10 FOR a=1 to 10
20 IF b=a THEN NEXT a
30 NEXT a
40 PRINT "b=a"
```

b. If your unit keeps showing "ILLEGAL VARIABLE" errors, look for a dimensional array problem. For instance, if you use DIM D(4,4) in a program and somehow refer to D=X or any other constant or variable then the 'Bee will quietly redimension D and the array D(4,4) is lost. This is not mentioned anywhere in the manuals and took me six months to figure out!

c. If you are using the IN#3 and OUT#3 commands, then make sure you clean the recorder heads frequently. I found this mode is not at all tolerant of errors.

Note that with the 'Bee's feature of INTEGRAL and REAL variables there is no ABS (absolute value) function available for integral variables.

Finally, some notes on the EDASM ROM set. If yours do not work, and were fitted by A-T, try swapping the chips around. This worked for me!

The manual supplied with the EDASM set now is much smaller than the original and many commands are not now listed although they are still in the ▶

MICROBEE COLUMN

ROM set. Try the following Monitor commands on your machine to check your ROMs:

(AAAA) is start address
(BBBB) is finish address
(EEEE) is auto execute address
(/) is space code — essential for commands to work.
FILL MEMORY MODE, will fill memory with whatever code is inserted for the letter (C) in the following statement.
F/AAAA/BBBB/C

e.g: to clear out a 32K Bee, F/0000/7FFF/0
COMPARE MEMORY MODE will compare two sections of memory and will show the differences.
C/AAAA/BBBB/AAAA/BBBB where the second set of start and end address codes are the start and finish of the second block of code. This is especially handy for verifying tape loading.

You can also save machine language, source language or BASIC language programs at 300 and 1200 baud rates with the following code:

To save at 300 baud

W/"NAME"/M/AAAA/BBBB/EEEE

To save at 1200 baud, change the W to D.

The letter after the name can be M for machine language programs, S for assembly language, and B for BASIC programs.

You cannot use this to save an A-T machine language MicroBee program as these are protected programs which self-modify after loading!

Here is a short program for the 'Bee. I will send some longer and better ones when my printer arrives. Note the use of the KEY function to avoid having to press RETURN to enter your answers, and the specific test for zero to avoid a letter giving a wrong answer (without the test for zero, typing any letter will give an answer of 0).

```

010 CIS: REM NICOMACHUS by C.J.
020 PRINT:CURS 20,2:PRINT "N I C O M A C H U S"
030 PRINT:PRINT"A puzzle from arithmetica of Nicomachus --
    A.D. 90!"
040 PRINT:PRINT"Please think of a number between 1 and 100."
050 PRINT:PRINT"Your number divided by 3 has a remainder
    of? ";
060 Q0$=KEY:IF Q0$="" THEN 60
070 IF Q0$="0" THEN LET A=0:GOTO 90
080 A=INT(VAL(Q0$)):IF A<1 OR A>3 THEN 60
090 PRINT A
100 PRINT"Your number divided by 5 has a remainder of? ";
110 Q1$=KEY:IF Q1$="" THEN 110
120 IF Q1$="0" THEN LET B=0:GOTO 140
130 B=INT(VAL(Q1$)):IF B<1 OR B>5 THEN 110
140 PRINT B
150 PRINT"Your number divided by 7 has a remainder of? ";
160 Q2$=KEY:IF Q2$="" THEN 160
170 IF Q2$="0" THEN LET C=0:GOTO 190
180 C=INT(VAL(Q2$)):IF C<1 OR C>7 THEN 160
190 PRINT C
200 PRINT:PRINT"Let me think a moment."
210 FOR I=1 TO1000:NEXT I
220 D=70*A+21*B+15*C
230 IF D<=105 THEN 260
240 D=D-105
250 GOTO 230
260 PRINT:PRINT"Your number was ";D";, right? Type Y for Yes
    N for No."
270 Q0$=KEY:IF Q0$="" THEN 270
280 IF Q0$="y" OR Q0$="Y" THEN 320
290 IF Q0$="n" OR Q0$="N" THEN 330
300 PRINT"I don't understand ";Q0$;" try Y for Yes or N for No"
310 GOTO 270
320 PRINT"How about that!":GOTO 350
330 PRINT"I feel your arithmetic is in error."
340 PRINT
350 PRINT"Let's try another."
360 GOTO 40
370 END
    
```

BILL EDGE'S

ELECTRONIC AGENCIES

115-117 Parramatta Rd. Concord 2137
(Corner Parramatta Rd & Lloyd George Ave)
Telephone (02) 745 3077 (two lines)
117 York St. Sydney Phone 29 2098

Mail Orders:
PO Box 185
Concord
2137

NSW & ACT ONLY		VIC. SA. QLD. TAS. WA. NT	
\$10	\$ 9.99	\$10	\$ 8.99
\$20	\$24.99	\$20	\$24.99
\$25	\$49.99	\$25	\$49.99
\$50	\$99.99	\$50	\$99.99
\$100	or more \$5.50	\$100	or more \$7.50

bankcard
welcome here

TRADING HOURS
BOTH STORES
Mon-Fri 9 am-5:30 pm
York St. Thursday 8 pm
Saturday 9 am-12 pm

All heavy or bulky items (over 20 kg) sent Comet Road Freight \$12.00 anywhere in Australia.

COMPARE THE VALUE OF THIS KIT WITH OTHERS ADVERTISING SPECIAL FEATURES

MICROBEE

XE5000 16k PLUS \$449
XE5100 32k PLUS \$549

NEW SOFTWARE

XE6700 CAR RACE	\$11.95
XE6705 DEATH TRAP	\$11.95
XE6710 BREAKTHROUGH	\$11.95
XE6715 WORMSQUIRM	\$11.95
XE6720 EXTENDED BASIC	\$11.95
XE6725 PRINTER GRAPHICS	\$11.95
XE6730 GRAPHICS GAME TOOL	\$14.95
XE6735 EUCHRE	\$11.95
XE6740 OTHELLO	\$11.95
XE6205 WORK-A-BEE	\$14.75
XE6210 TURTLE GRAPHICS	\$14.75



EPROM PROGRAMMER KIT FOR MICROBEE

All the components supplied plus the usual extra parts which keeps Electronic Agencies on top of the kit market.

- 24 pin 21F socket included
- 5 dip header plugs included
- 15 pin parallel plug included

KE7003 \$46.50

MONITORS FOR MICROBEE

XE1186 12" MICRON GREEN MONITOR	\$199.50
XE1188 12" KAGA DENSHI ORANGE MONITOR	\$299.00
XE1190 12" KAGA DENSHI GREEN MONITOR	\$299.00
XE1192 12" BLACK & WHITE	\$149.50



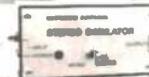
MOTOR SPEED CONTROLLER KIT

See ETI Apr. 83.
KE7006
\$19.95



TOUCH LIGHT DIMMER KIT

See EA Apr. 83
Complete kit including all hardware. KE7007
\$19.95



STEREO SIMULATOR KIT

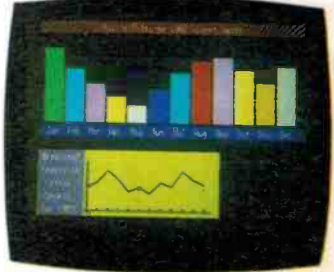
See EA Apr. 83
All parts supplied including box, front panel, etc, but excluding plug pack.
Plug Pack \$9.95. Cat ME7721.
KE7008 \$19.95



A STAR IS BORN



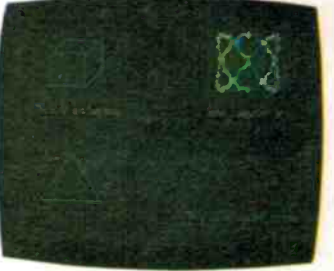
Business Graphics



Arcade Games



Educational Programmes



- ★ **Microbee — Australia's own educational and personal computer!**
(Approved by NSW and WA schools.)
- ★ **Designed and manufactured in Australia.**
- ★ **Over 7,000 sold.** (Over 2,500 in schools in Australia and New Zealand.)
- ★ **Fully expandable from cost-effective 16K and 32K models to a fully featured 64K.**
(Suitable for networking and disk drives.)
- ★ **Wide range of optional peripherals —**
Printers · Plotters · Monitors · Disk Drives · Colour Adaptors · Modems.
- ★ **More computer for your money — more software support.**



microbee®

*"You won't find a better computer
NOW here's a range"*

High Resolution KAGA Monitor — Ideal for professional applications this monitor will produce crisp clean graphics and text when operating with any MicroBee. Display is green with P31 phosphor. **\$299**

To take advantage of the new ColourBee you'll need a converted colour TV or RGB monitor.

Colour Conversion — Any MicroBee can now be converted to run in brilliant colour, (as featured in the March edition of *Your Computer*), with 26 background plus 26 foreground colours and up to 80 characters per line on a converted colour TV or RGB monitor. MicroBee colour is fully software compatible with black and white MicroBee programmes. Conversion also includes the new Microworld colour BASIC and high speed operation at 3.375 MHz and 80 x 24 display option for any 16K or 32K MicroBee. Please note that because of the high resolution achieved, colour encoders and modulators are not recommended. The ColourBee must be operated with a specially converted colour TV or any RGB monitor.
Colour Option

\$169

Professional quality Daisy Wheel Printer (40 CPS) will turn your MicroBee with WordBee into a top quality word processor capable of producing print to match that from systems costing many times as much. Please check with your local MicroBee dealer for recommendations of the models available.

High Speed Dot Matrix Printer — MicroBee operates well with any printer such as Epson. Please check with your local MicroBee dealer for suggestions.

Any low cost cassette recorder can be used to load and save MicroBee programmes. These units have been extensively tested in our engineering department and found to be ideal for operation at 300 and 1200 baud.
Data Cassette Recorder

\$39.50

The cost effective **MicroBee 16K Plus** is supplied with Microword BASIC in ROM with room for additional ROM firmware such as WordBee or EDASM. User area is 16K or battery backed CMOS RAM which retains programme even after switching off. I/O is an 8 BIT programme port, RS232 serial port 300 and 1200 baud, direct video cassette interface 300 and 1200 baud. Screen is 16 lines of 64 characters upper and lower case with low resolution 128 x 48 and PCG high resolution 512 x 256 graphics. Fully expandable to colour, 32K or even 64K as your needs grow.

MicroBee 16K Plus

\$449

The clever **MicroBee 32K Plus** has BASIC in ROM with room for additional ROM based software such as WordBee or EDASM. Has full 32K of CMOS battery backed user RAM as well as 4K screen and graphics RAM. Operates in 64 character x 16 line format as well as high resolution 512 x 256 PCG graphics. A powerful machine equally useful in the classroom, home or almost anywhere. Fully expandable to colour and 64K operation.
MicroBee 32K Plus

\$549



etter performance personal computer for the price e of peripherals to increase your performance."

New Release — The MicroBee monitor also includes a built-in power supply for your MicroBee. Display is high resolution on a green screen. **\$199**



For economy use a black and white converted TV monitor — Ready to use for **\$149**

Direct Connect Modem — Soon to be released. This advanced design modem incorporates auto answer and auto dialling and operates a 300, 600 and 1200 baud.

XY Plotter — Digiplot is the intelligent plotter for the MicroBee. Ideal for line drawings, geometric designs, computer art, bar charts and contour plotting. Automatic selection of up to six different coloured pens.

MicroBee Disk Drives — Connects directly to any 64K MicroBee and operates under CP/M world standard disk operating system for 8 BIT micro processors. Massive 380K formatted storage on each double sided-double density drive. Supplied with comprehensive software including Microworld disk BASIC, EDASM, WordBee and a full library of utility programmes. Also accepts Osbourne and other popular disks. Single drive unit complete with disk controller and power supply. **\$799**
Add on disk drives **\$399**

Wide range of support software on disk, cassette and ROM. Educational, business, games and support programmes now available. Call your local MicroBee dealer for more details.

The mighty MicroBee 64K Plus can be used as a free standing personal computer or coupled with disk drives to produce a top performance system capable of running any of the world class software running under CP/M. Has programmable 80 x 24 and 64 x 16 screen format and can be fitted with optional colour to produce probably the lowest cost CP/M colour computer on the Australian market today. **MicroBee 64K Plus** **\$699**



microbee Software



The MicroBee is supported by a wide range of software running in colour and black and white. High resolution, low resolution graphics and text freely mixed.

ROBOT MAN — You must move about the maze eating up the power food. Watch out for the Robot Men as they are programmed to destroy you before you complete your mission! **\$14.95**

MICROSPACE INVADERS — Yes the arcade favourite! This fast moving version was written especially for MicroBee by Tim Morris-Yates and has become one of the most popular programs yet released. **\$14.95**

MATHS ADVENTURE — Wander into the fascinating world of the Wizard of Aus. Test your mathematic skills and have fun at the same time. A highly recommended graphics adventure game. Fun for high school maths students and teachers. **\$14.95**

TURTLE GRAPHICS — A very clever program allows the student to use the MicroBee to draw using high resolution turtle graphics. A booklet of procedures is available from the N.S.W. Department of Education. This is a very powerful graphics program which uses the PCG facility of the Microbee to its full extent. **\$14.95**

WORK-A-BEE — A new release. Work-A-Bee is a program which can actually write educational programs almost automatically! Any teacher with little or almost no knowledge of BASIC can insert details as to question and answer, number of tries, marks per question and other controls. Any CAI program can be saved and reused and subroutines have been included to enable the student to go back over his work, printing answers, avoid error traps etc. **\$14.95**

CHESS — Match your skills against the MicroBee chess master. You can select from 1 to 6 ply and also analyse any position. A built-in 'Help' feature enables the computer to play your current move for you. **\$9.95**

CONCENTRATION — A real family favourite for 1 to 4 players to test your memory skills. If you call one player Merlin, the computer will play that turn so watch out! **\$9.95**

BUSI-CALC — Yes, an electronic spread sheet running under microworld BASIC. Accepts text and numbers with easy cursor control. Commands include:— Average; Sum; Compute; Format; Recalculate; Load and Save. Ideal for cash flow projections, bill of materials and even classroom data. **\$14.99**

BIORHYTHM/CALENDAR MAKER — Ideal for parties or carnivals. Requires a serial printer. You can print biorhythms for anyone. Also prints calendars for any year A.D. and B.C. **\$9.95**

Z TREK — Captain! The warp drives are disabled, the Klingons are closing in on us, what will we do? In Z Trek you are the captain of the starship Enterprise, your five year mission to search out the Klingons and destroy them. There are ten levels of difficulty (0 - 9). Beware of this game — it is strangely addictive. **\$9.95**

WUMPUS — THE ADVENTURE GAME Have you ever played the game Wumpus? If you liked it then you'll like this! The object is the same as the earlier version except that it's a lot harder. To say any more would spoil the fun. Good Hunting! **\$14.95**

ESC KEY — This is a program for all of the two fingered typists in the world. The program allows you to enter BASIC key words in an abbreviated form. For instance, instead of typing 'list' the user would press the "ESC" key and then "1". The computer then types out the rest of the word for you. Suitable for 16K and 32K machines. Only. **\$9.95**

GRAPHIC GAMES — This cassette contains five programs, 'Poker', 'Slots', 'Dodgem', 'Picture', 'Richochet'. 'Poker' is the main program on the cassette. In this game the computer is the bank and you have to beat it at Draw Poker. Warning — the computer plays a cunning game and is quite prepared to bluff! 'Slots' is a one armed bandit and for 20c a go you can try your luck. In 'Dodgem' the player must guide his car through a forest to the bottom of the screen — this game allows you to drive a car without the random breath tester getting you!! 'Picture' is an excellent game for the children. The final program on the cassette is 'Richochet', where the player has to decide where to fire a bullet through a hole in the wall. If you hit the wall you're dead. **\$9.95**

PCG SAMPLER — The PCG Sampler cassette has eight programs on it. These programs show you how the graphics work and demonstrates their capabilities by way of games etc. The cassette is excellent for both beginners and experts. It allows you to design your characters on the screen, so you can see exactly what you are creating. Suitable for all MicroBees. **\$9.95**

STARSHOOT/HANGMAN — Starshoot is perhaps one of the most deceptive games available on computer. It appears to be very easy: it isn't. Hangman is based on the popular school game that everybody knows. **\$9.95**

ELIZA — Want someone to talk to? Eliza is possibly the person for you. (If you can get her to shut-up). Eliza is a program that demonstrates artificial intelligence. Eliza is prepared to talk about life, the universe and everything. **\$9.95**

TYPING DRILL/SOLITAIRE — Want to become a touch typist? Typing Drill enables you to learn touch typing without paying an exorbitant fee to learn. Solitaire is a game in which the object is to remove all of the "pegs" from the board, leaving one peg in the centre of the board. Sounds simple, but, it requires skill to master it. **\$9.95**

TARGET — Target is a game of hit and miss. Your task is to aim the cannon at the bottom of the screen and shoot down the U.F.O.'s (ET watch out). There are nine levels of play to this entertaining game thus making it suitable for any player. Suitable for all Microbees. **\$9.95**

EDUCATIONAL GAMES — Learning Can be Fun: Educational games software has arrived. This set of 3 cassettes combines graphics with text to produce highly motivated teaching games. Uses variations of well known arcade games to enhance the learning process.

Volume 1A: GORILLA — Answer questions to avoid the barrels Kong is rolling. **F RACE** — A race game to teach fractions.

Volume 1B: MUNCH — Tests your knowledge by eating the right answer. **TNT** — Answer before the dynamite fuse burns down.

Volume 1C: ADSTAR — Avoid the invaders. Shoot the space ship with the right answer. **SQUARE** — The Enterprise can save the Galaxy. You arm the laser cannons. **\$9.95 each or \$24.95 for the set of three.**

ROM BASED SOFTWARE —

250.003 Editor Assembler **\$59.50**
250.040 Word Bee ROMPAK **\$89.50**

BLANK DATA CASSETTES —

For saving your own programs. Made in Australia to our specifications.
110.310 C10 Data Cassette **\$1.20**
110.311 C20 Data Cassette **\$1.30**
110.312 C30 Data Cassette **\$1.40**

Make a BeeLine for your MicroBee Computer Shop today!

SYDNEY:
Applied Technology,
1a Pattison Ave. Waltham.
Phone: 487 2711.

Electronic Agencies,
117 York St. Sydney.
Phone: 29 2098.

Specialty Enterprises,
6th Floor,
104 Bathurst St. Sydney.
Phone: 267 7747.

GOSFORD:
Applied Technology,
1 Debenham Rd. West Gosford.
Phone: (043) 24 1022.

CANBERRA:
MicroBee Computer Shop,
Level 1, Cooleman Court,
Weston, ACT.
Phone: (062) 644 277.

MELBOURNE:
Computerland Sth. Melbourne,
19 - 37 Albert Road,
(Cnr Kingsway & Albert Rd.),
Melbourne.
Phone: 268 6647.

Specialty Enterprises,
1st Floor,
305 Latrobe Street, Melbourne.
Phone: 67 8811.

BRISBANE:
Specialty Enterprises,
6th Floor, 246 Queen Street,
Brisbane.
Phone: 229 2450.

PERTH:
Altronics
105 Stirling St. Perth.
Phone 328 1599

NEW ZEALAND
Checkpoint Computers,
36 Main Road, Tawa,
New Zealand.
Phone: (4) 32 8988.

MicroBee PHONE ORDERS

Save time and order your MicroBee direct on our Beeline number. Just give your Bankcard Number and Name. We will check stocks and get the goods on the way.

(02) 487 2711



HERE WE ARE BACK AGAIN with some software for Sinclair ZX computer owners (ZX80/81) after a considerable absence.

Like to see more programs — then send some In! The more we get, the more we can print. This issue, all programs are for the ZX81. Have you got an original program? — other enthusiasts would probably like to see it. All published contributions paid for.

BOMB

S. Austin, Karachi, Pakistan

Here's a fun game to try. The object is to completely destroy a group of buildings by dropping bombs from an aircraft (get rid of your negative aggressions!... Ed.). Your aircraft will take as many sweeps over the buildings as required, but each time the aircraft will fly at a slightly lower altitude. Fly into a building and you've had it!

To release bombs, press key B.

On each sweep, you are limited to two bombs. It is important to bomb the taller buildings first, otherwise you'll fly into them.

To make the bomber's task harder, the number of bombs for each sweep may be reduced to one by amending line 45 to read LET B=1 or by making the initial height of the aircraft lower than the initial value of the control variable at line 40.

Good luck!

```

1  REM "ZX81 BOMB BY S. AUSTEN"
5  RAND
10  CLS
15  FOR X = 0 TO 15
20  FOR Y = 16 TO 3 + INT*12 STEP -1
25  PRINT AT Y,X; "■"
30  NEXT Y
35  NEXT X
40  FOR Y = 39 TO 13 STEP -1
45  LET B = 2
50  FOR X = 0 TO 31
55  PRINT AT(45-Y)/2,X/2;
60  LET P = PEEK(256*PEEK 16399+PEEK 16398)
65  IF P <> 0 AND P < 118 THEN GOTO 115
70  PLOT X,Y
75  IF INKEY$ < ">" OR B = 0 THEN GOTO 100
80  FOR I = Y-1 TO 11 STEP -1
85  UNPLOT X,I
90  NEXT I
95  LET B=B-1
100 UNPLOT X,Y
105 NEXT X
110 NEXT Y
115 INPUT Q$
120 IF Q$="" THEN GOTO 10
    
```

SIMPLE ALPHASORT

Malcolm Young, Dunedin N.Z.

Here is a simple 'Alphasort' routine that will sort letters in order. If, having run the program, you type in something like 'The quick brown fox jumps over the lazy dog', it will sort out all the letters and print them in alphabetical order. This program could well be used as a starting point for a more sophisticated alphasort routine, but in the mean time, it will illustrate how an alphasort works.

```

10  REM "ALPHASORT BY MALCOLM YOUNG, FOR THE ZX81"
20  REM "1982"
30  PRINT "ALPHASORT"
40  PRINT
50  PRINT "ENTER WORD OR PHRASE:"
60  PRINT
70  INPUT S$
80  PRINT S$
85  PRINT
90  LET B=LEN S$
95  PRINT "SORTED LETTERS ARE:"
100 FOR A=38 TO 63
110  FOR O=1 TO B
120  IF IS(C)=ORD(A) THEN PRINT CHR$(A); " ";
130  NEXT C
140  NEXT A
150  PRINT, "THE TOTAL AMOUNT OF LETTERS IS ";LEN S$;
    " (SPACES INCLUDED)"
    
```

ZXART

Peter Moxom, Ryde NSW

Use your ZX81 keyboard to 'paint' on your TV screen! All the instructions are included in the program and appear on-screen when the program is run. Try writing your name! You can draw black on white or white on black.

The program consumes 2½K of memory. Lines 1000 to 1080 perform the screen inversion. To call up this subroutine you use lines 9000 and 9010. This routine inverts the screen in one-eighth of a second. Don't forget to key in the equation at line 30 at line 100 and the same for line 40 at line 110.

```

1  REM **ZXART AN ORIGINAL PROGRAM BY PETER MOXOM**
2  GOSUB 1000
3  SLOW
5  GOTO 2000
10  LET X=31
15  LET Y=22
20  PLOT X,Y
25  LET A$=INKEY$
30  LET Y=Y-(A$="0")+(A$="7")-(A$="A")-(A$="S")+(A$="Q")-(A$="N")
    
```

```

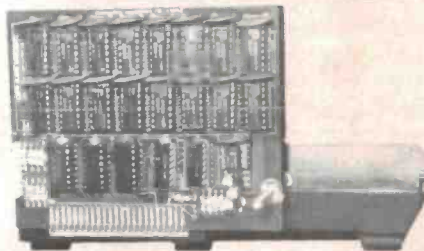
35  LET Y=Y+(Y<0)-(Y>43)
40  LET X=X-(A$="8")-(A$="5")-(A$="A")+(A$="S")-(A$="Q")+(A$="N")
45  LET X=X+(X<0)-(X>63)
50  IF INKEY$="P" THEN CLS
51  IF INKEY$="Z" THEN CLS
52  IF INKEY$="2" THEN GOTO 2000
55  IF INKEY$="0" THEN CLS
56  IF INKEY$="0" THEN GOTO 6
57  IF INKEY$="1" THEN GOTO 99
58  IF INKEY$="7" THEN GOSUB 9000
59  IF INKEY$="L" THEN GOTO 9900
60  UNPLOT X,Y
90  GOTO 20
99  LET A$=INKEY$
100 " (same as 50)
110 " (same as 40)
120 PLOT X,Y
130 UNPLOT X,Y
140 IF INKEY$="I" THEN GOSUB 9000
144 IF INKEY$="Z" THEN CLS
145 IF INKEY$="2" THEN GOTO 2000
150 IF INKEY$="J" THEN GOTO 20
160 GOTO 99
1000 POKE 16388,0
1010 POKE 16389,127
1020 LET M$="042 034 064 006 022 126 254 118 032 008 005 120 254 000
    032 005 024 006 198 128 119 035 024 237 201"
1030 FAST
1040 FOR M=32600 TO 32624
1050 POKE M,VAL M$( TO 3)
1060 LET M$=M$(5 TO )
1070 NEXT M
1080 RETURN
2000 PRINT "*****INSTRUCTIONS*****"
2010 PRINT "YOUR CONTROLS ARE AS FOLLOWS"
2020 PRINT "5 MOVES POINT LEFT", "6 MOVES POINT DOWN",
    "7 MOVES POINT UP", "8 MOVES POINT RIGHT"
2025 PRINT
2030 PRINT "0 MOVES POINT UP LEFT", "9 MOVES POINT UP RIGHT", "A MOVES
    POINT DOWN LEFT", "S MOVES POINT DOWN RIGHT"
2035 PRINT
2040 PRINT "P CLEARS THE SCREEN", "O CLEARS SCREEN AND RESETS POINT",
    "I INVERTS THE SCREEN", "J STOPS POINT PLOTTING", "L RETURNS
    TO NORMAL PLOTTING", "L STARTS DISPLAY RAPID INVERTING",
    "K STOPS THE RAPID INVERTING"
2050 PRINT
2060 PRINT "PRESS" "Z" "TO SEE INSTRUCTIONS"
2070 PRINT "*****PRESS ANY KEY TO START*****"
2980 PAUSE 4E4
2999 CLS
5000 GOTO 10
9000 PRINT AT 0,0;
9010 LET RR=USR 32600
9020 RETURN
9900 PRINT AT 0,0;
9910 LET RR=USR 32600
9920 IF INKEY$="K" THEN GOTO 20
9925 PAUSE 25
9930 GOTO 9900
    
```

32K BYTES FOR THE ZX81

SPECIAL RAM PACK FOR THE ZX81

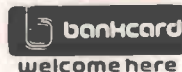
This board uses dynamic RAM chips for lower cost and lower power consumption. Simply plugs into the ZX 81 expansion port offering 32K BYTES for basic programmes and data handling. No extra PSU required. Extra memory to help you build your ZX81 into a powerful microprocessor system at an affordable price. Compare the price with other RAM PACKS available on the market!

VENDALE



Price for 32K RAM Pack (RP32)
Was only: \$165.00 incl. P&P (Aust)
Now only: \$125.00 incl. P&P (Aust)
 Free cases available soon.

Please send order or S A E for further information to:
 VENDALE PTY. LTD., Dept T7, Box 456,
 Glen Waverley, Victoria 3150.
 36 Plymouth St., Glen Waverley,
 (03) 232 0444.



ZX80/81 PROGRAMMABLE CHARACTER GENERATOR

Using simple BASIC programs you can create your own unique character sets and graphic symbols for games, High Res graphs and charts and interesting patterns. Program symbols normally available only on more expensive microprocessors and you are not limited to preprogrammed graphic sets.

Fully assembled price \$95.00 incl. P & P (Australia)
 Uses the 8K ROM from Sinclair (not incl.).

UPGRADE YOUR ZX80 GRAPHICS

Now you can upgrade your ZX80 to the full animated graphics of the ZX81. Your ZX80 will now run in SLOW mode.

Fully assembled price only \$38.50 incl. P & P (Australia)

Works only in conjunction with 8K ROM from Sinclair (not incl.)

VEN 0261

660 SOFTWARE

NOUGHTS & CROSSES

David Pye, Happy Valley SA.

This program is a game of noughts and crosses for two players, but with a slight difference.

Upon running the program, the standard 'field' for noughts and crosses is drawn on the screen with "O PLAYS" underneath.

Pressing a key from 1 to 9 puts a '0' in the corresponding square. The "O PLAYS" then changes to "X PLAYS" and the X player can then press any key from 1 to 9 to put his X in whichever square he wants it. (But not on top of the existing 0 — the same goes when O plays.) Play then reverts to "O PLAYS".

If you fill all nine squares without either player getting three in a row, the words "END GAME PUSH KEY" will appear above "PLAYS". Pressing any key then resets the '660 and a new game can commence.

If a player gets three in a row, pressing key F will reset the computer to start a new game.

Now here comes the twist. If, during a game a player takes too long to press a key (about 15 seconds or so), the message "TOO LATE!!!" appears above "PLAYS" and a decreasing tone sounds. The message "TOO LATE" is then replaced by "END GAME PUSH KEY" and "O PLAYS" or "X PLAYS" is replaced by "O WINS" or "X WINS" as appropriate.

The time cutoff for making a move makes the game more interesting and the delay is not constant as you'd expect!

The program is structured as follows:

```

0602-0618: display field (data at 0700-0716)
0620: call 'display 0' routine
0622: call 'display PLAYS' routine
0628-065C: key calls for 0; keys 1 to 9
065E-0668: go to start if 0 misses turn
0670-0672: swap X for 0 before PLAYS
0674-0676: end game
067A-06AE: key calls for X; keys 1 to 9
06B0-06BA: go to start if X misses turn
06BC-06CA: data for PLAYS
06D0-06D2: swap X for 0 before PLAYS
06D6-06E8: data for 'TOO LATE !!!'
06EA-06F8: display routines for 0 and X
06FA-06FE: data for X
0700-0716: field data
071C-0722: display 0 at 1st square of field
0726-0778: and so on for all squares of field
0786-078E: spare memory
0790-07D8: display X at squares 1 to 9
07DE-07F8: routine to display "TOO LATE !!!"
0800-0816: generate descending tone
0818-0822: delay for 0 player
0824-082E: delay for X player
0830-0838: 0 + 1
083A-0870: call and display 'END GAME . . .'
0878-089A: data for 'END GAME . . .'
089C-08A2: X + 1
08A4-08A6: call descending tone
08AC-08B6: remove 0 PLAYS and show X WINS
08B8-08B9: delay
08BA-08BC: swap TOO LATE !!! for END GAME . . .
08C6-08D0: swap X PLAYS for 0 WINS
08D2-08D3: delay
08D4-08D6: remove TOO LATE, show END GAME . . .
08D8-08E2: routine to display WINS
08E4-08EE: data for WINS
    
```

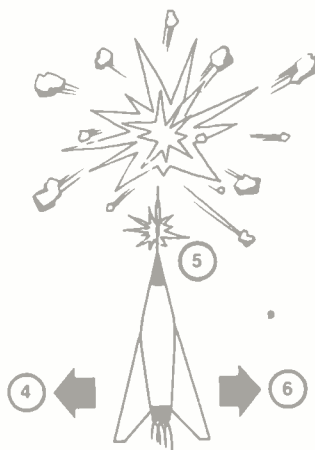
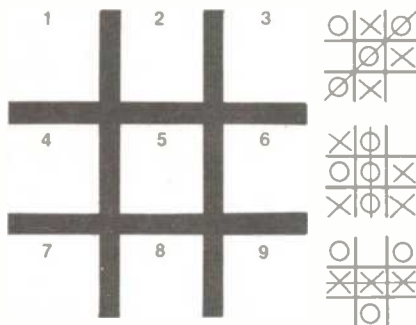
NOUGHTS & CROSSES

```

0600 00E0 6A0B 6B08 2700 6A0B 6B12 2700 6A14
0610 6B00 270C 6A20 6B00 270C 6A00 620F 6329
0620 26EC 2766 6D00 7D01 6C01 ECA1 171C 6C02
0630 ECA1 1726 6C03 ECA1 172E 6C04 ECA1 1736
0640 6C05 ECA1 173E 6C06 ECA1 1746 6C07 ECA1
0650 174E 6C08 ECA1 1756 6C09 ECA1 175E 6C0F
0660 ECA1 1600 3D90 1626 18A4 6400 620F 6329
0670 26EC 26F4 4A09 183A 7401 6C01 ECA1 1790
0680 6C02 ECA1 179A 6C03 ECA1 17A2 6C04 ECA1
0690 17AA 6C05 ECA1 17B2 6C06 ECA1 17BA 6C07
06A0 ECA1 17C2 6C08 ECA1 17CA 6C09 ECA1 17D2
06B0 6C0F ECA1 1600 3490 1678 18BE E8A8 E888
06C0 8EEA AAE4 A4A4 E080 E020 E000 620F 6329
06D0 26F4 26EC 162A EE4A 4A4A 4E8E 8A8E 8AEA
06E0 EE48 4C48 4E48 A8A8 00A8 00FF 6100 F129
06F0 D235 00EE A6FA D235 00EE A0A0 40A0 A010

0700 A6FF DAB1 7A01 3A2B 1702 00EE A6FF DAB1
0710 7B01 3B1C 170E 00EE 00FF 00FF 6211 6301
0720 2830 1818 00FF 621C 6301 2830 1818 6227
0730 6301 2830 1818 6211 630B 2830 1818 621C
0740 630B 2830 1818 6227 630B 2830 1818 6211
0750 6315 2830 1818 621C 6315 2830 1818 6227
0760 6315 2830 1818 7A0B A6BC D235 7208 A6C1
0770 D235 7208 A6CE D235 00EE 6870 F815 F607
0780 3600 177E 00EE . . . . .
0790 6211 6301 289C 1824 00FF 621C 6301 289C
07A0 1824 6227 6301 289C 1824 6211 630B 289C
07B0 1824 621C 630B 289C 1824 6227 630B 289C
07C0 1824 6211 6315 289C 1824 621C 6315 289C
06D0 1824 6227 6315 289C 1824 620B 6320 A6D6
07E0 D235 7208 26EC 7208 A6DB D235 7208 A6E0
07F0 D235 720B A6E5 D235 00EE . . . . .

0800 6E0A 6710 7708 F700 FE15 FE18 F507 3500
0810 180C 3760 1804 00EE 6810 F815 F607 3600
0820 181C 166A 6810 F815 F607 3600 1828 16CC
0830 7A01 6100 F129 D235 00EE 6200 6320 A878
0840 D235 7209 610D 26EE 7206 A87D D235 7208
0850 A882 D235 7206 610E 26EE 7206 A887 D235
0860 7208 A88C D235 720A A891 D235 7208 A896
0870 D235 F00A 1600 00FF E98D CD8B EBEE 8AAE
0880 AAEA D8D8 A888 88EA AAEA 8A8E EA8A EE2A
0890 EAAE A8CC A8AE A0A0 4040 5000 7A01 A6FA
08A0 D235 00EE 27DA 2800 620F 6329 26EC 2766
08B0 620F 6329 26F4 28D8 277A 27DA 183A 27DA
08C0 2800 620F 6329 26F4 2766 620F 6329 26EC
08D0 28D8 277A 27DA 183A 720D A8E6 D235 7208
08E0 A8EB D235 00EE BABA AADA DA97 DAD7 B1B7
    
```



ASTEROID SHOWER

ASTEROID SHOWER

Peter Easdown, Kew NSW

Another animal in the asteroid games species. In this game, you start off with a cannon craft at the bottom of the screen and five asteroids plummeting toward you. The aim of the game is to dodge the asteroids while firing missiles at them. Each hit you score on an asteroid gains you one point. As the game is fairly easy, I have only provided one cannon craft.

When an asteroid crashes into you, the debris from the explosion fills the screen, the game stops and the score is shown. All the action is accompanied by sound effects.

Here are the keys to manipulate the cannon craft:

MOVE LEFT = KEY 4
MOVE RIGHT = KEY 6
FIRE = KEY 5

The program is straightforward, having a mainline at 0600-066C followed by three subroutines: the firing routine is from 0676 to 06A4, the end routine from 06A6 to 06C4 and the explosion routine from 0714 to 072E. A few other small routines are included for sound effects, etc. Variables used are as follows: V0,V1 — asteroid 1; V2,V3 — asteroid 2; V4,V5 — asteroid 3; V6,V7 — asteroid 4; V8,V9 — asteroid 5; VA,VB — cannon; VC,VD — missile; VE — score; VF — miscellaneous.

```

60C - 6800 6A10 6002 6238 698 - FF15 FFO7 3F00 169A
60B - C30A 740A 6C0F 7618 6A0 - DCDB A6D4 16DE 00B0
610 - 632E C10F C30F C50F 6A8 - 6C10 6D10 A7FF FB33
618 - C70F 6900 A6CB D236 6B0 - F265 F029 DCD5 7C04
620 - D456 D676 D896 D016 6B8 - F129 DCD5 7C04 F229
626 - A6C6 6820 DAB7 26E8 6C0 - DCDB FFOA 16DA 1038
630 - EPA1 2676 DAB7 6F04 6C8 - 6C38 386C C600 1876
638 - E3A1 73F4 6F06 EPA1 6D0 - DFD8 6818 1028 1842
640 - 7A01 A6CE D236 D456 6D8 - 2481 8142 4218 DCD2
648 - D676 D896 D016 7102 6D8 - A6C6 00EE C100 1600
650 - 7304 7502 7703 7903 6E8 - GF20 FFO0 FF18 TFFF
658 - CFFF FFO0 F818 00FF 6F0 - GF18 00EE 16DA 6F01
660 - 00FF 00FF 00FF 00FF 6F8 - FF15 FFO7 3F00 16FA
668 - 8920 1604 161C 4F01 700 - DCDB 1712 6F30 FFO0
670 - 1714 6F05 00EE 26E8 708 - FF18 TFFF 4F20 00EE
678 - 8CA0 6D20 TFFF A6D4 710 - 1706 00EE 6200 C12F
680 - DCDB 4F01 16DE 26F5 718 - 7180 F100 F218 C3FF
688 - 4FFF 16A2 7801 7801 720 - C4FF A72E D341 7201
690 - 2704 A6D6 DCDB 6F10 728 - 3250 1716 16A6 8000
    
```

POLARIS

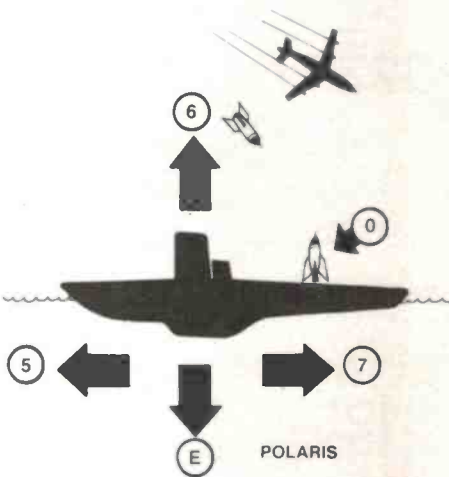
Tim Parish

You have control of a submarine, using the keys 5 (move left), 7 (move right), 6 (move up) and E (dive). Key D is used to fire missiles at planes which fly from left to right. (Users with a hex keypad can change the instructions at addresses 0720, 0726, 072c and 0732 to select different keys for control.)

If you stay still, the depth charge dropped from the plane will not miss! You must also avoid the torpedo which is regularly launched from the left.

When you are hit by either the torpedo or the depth charge, your score is displayed, based on the number of planes shot down.

An added catch — a marker showing maximum depth for the submarine rises steadily with increasing score! It stops close to the surface, making things



harder for the high scoring player.

Pressing key 8 will start a new game. (Would Tim Parish please contact the Editor.)

```

0600 6118 60U0 a7d6 d011 7008 3040 1505 620C
0610 682c a6d4 d282 612f 6000 a7d0 d011 7008
0620 3040 161c 6300 6101 a7ce 6b20 6c20 dbc2
0630 a7cc 6d00 6e02 dde2 6700 6500 6a00 6900
0640 80b0 80d5 4009 164c 3008 1658 3a00 1658
0650 6200 a62d 6e04 d7a1 a7cc dde2 7d01 3d3e
0660 1664 6d00 0de2 80d0 3201 8024 3a18 1674
0670 8900 79ff 4a00 16d4 a62d 3900 160a 70ff
0680 d1a1 7101 7a02 d0a1 16de d9a1 9ac0 169a
0690 7a01 9ac0 169a d9a1 16de a7d1 8ae5 d9a5
06a0 8090 7102 d0b5 3f01 16d0 6e06 8e05 6e00
06b0 4f00 16d8 6310 641a a7d8 f533 f265 f029
06c0 d345 f129 7305 d345 f229 7305 d345 6008
06d0 e09e 16ce 00e0 1610 d9a5 6a00 89a0 a7d7
06e0 3300 16e8 84c0 d341 d341 7301 d341 0030
06f0 80b5 3f01 170c 6e06 8e05 6e02 3f01 170c
0700 94c0 17c4 80c0 7001 9400 17c4 333e 1714
0710 d341 6300 80d0 8112 3000 175c a7ce dbc2
0720 6005 e0a1 173a 6007 e0a1 1740 6006 e1a1
0730 1746 600e e0a1 174c 175a 3b01 7bff 175a
0740 3b38 7b01 175a 3c19 7c1f 175a 8681 9c00
0750 175a 70ff 9c00 175a 7c01 dbc2 a62d 6000
0760 e09e 1776 3700 1776 86b0 87c0 81c0 8012
0770 3100 77ff d671 4700 1640 d671 87e5 3702
0780 17c0 a7d1 d675 80d0 7003 8065 3f01 17b8
0790 5e06 8e05 6e02 4f00 17b8 a7cc dde2 82d0
07a0 6d00 dda2 6002 8052 3000 17b6 a6d4 d032
07b0 381c 78ff d082 7502 a7d1 d675 6700 1640
07c0 d671 1640 84e5 a7d1 d345 16b4 80f0 08fe
07d0 ff50 a850 a850 aac0 -----
    
```

SQUASH

Tim Parish

Just like the original pub game! This program draws a squash court on the screen and you play the ball with a mind of its own. Your bat is on the left and the ball is served from the court area. The object is to keep it bouncing around the court. If you miss, it passes off screen to the right and you get another ball. The game starts off with live balls. The ball commences moving rather slowly (and you overshoot with the bat!), but each time you hit it, it speeds up, reaching maximum speed after 18 hits.

Below and to the left of the court, your score is displayed, progressively updated each time you hit the ball. At the lower right, the number of balls left is displayed.

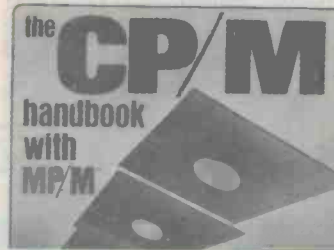
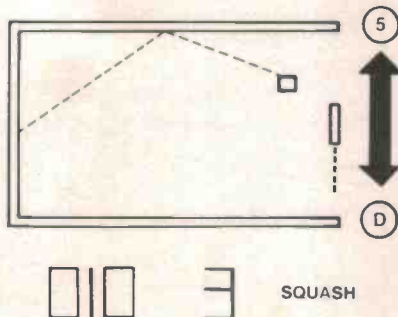
Sound effects are included, the pitch of each bounce of the ball rising as the ball speeds up.

The game ends once you miss the last ball. Press 8 to start a new game.

MOVE BAT UP = KEY 5
MOVE BAT DOWN = KEY D

```

0600 6008 a619 6100 d011 6120 d011 7008 3038
0610 1004 6000 a6f4 d011 71ff 31ff 1616 a6f3
0620 fc65 a6f3 d893 26d5 26c8 fa00 6302 cd1e
0630 7d01 a6f4 d3d1 d3d1 3301 1640 1601 fc18
0640 3d01 1648 701 fc18 3d1f 1650 67ff fc18
0650 332a 1578 8090 9d00 1568 7001 9d00 1668
0660 7101 9d00 1668 1678 26d6 7401 26d6 66ff
0670 3a0a 7aff fc18 fa00 3330 1692 26c8 75ff
0680 45ff 1608 26c8 162c 5008 e09e 160a 00e0
0690 1600 a6f4 8364 8d74 d3d1 a6f3 6105 e19e
06a0 16ac 4901 16ac d893 79fe d893 610d e19e
06b0 16bc 491d 15bc d893 7902 d893 a6f4 6009
06c0 7001 90a0 1636 16c0 a6f0 f533 f265 f229
06d0 602b d0b5 00ee a6f0 f433 f265 f029 6010
06e0 d0b5 f129 7004 d0b5 f229 7004 d0b5 00ee
06f0 ---- --01 0101 0200 0501 012b 0f1c 2401
    
```



CP/M finally explained!

Rodney Zaks

Anyone interested in computers will have heard the expression CP/M, but many may still be unclear as to what it is and what it does. Rodney Zaks' book *The CP/M Handbook with MP/M* will answer any questions you may have about using a computer equipped with CP/M.

CP/M stands for Control Program for Microprocessors, and is the industry standard in operating systems for small computers. It is available on nearly all computers using the 8080, 8085 or Z80 microprocessors, as well as some using the 6502 microprocessor.

The CP/M Handbook is a simple, clear and practical introduction to the use of CP/M-equipped computers, and a reference text. For beginners this book offers step-by-step instructions for using CP/M without fear — turning the system on, inserting a diskette, correct user discipline, remedial action for a problem situation — and everything is explained in a clear, concise and easy-to-read format.

For experienced programmers the book includes a comprehensive description of all CP/M facilities and resources, plus a complete discussion of all versions of CP/M, up to and including 2.2, MP/M and CDOS. Fifteen appendices feature complete summaries of all commands and facilities.

Contents include:

- An introduction to CP/M
- CP/M and MP/M facilities
- Handling files with PIP
- Using the editor
- Inside CP/M and MP/M
- Reference guide to CP/M and MP/M commands and programs
- Practical hints
- The future

The CP/M Handbook with MP/M is available from ETI Book Sales, P.O. Box 222, Waterloo 2017 for \$19.95 plus \$1 postage & packing.

Please send me copies of the CP/M Handbook with MP/M (880488) at \$19.95 + \$1 per copy.

Total

Name

Address

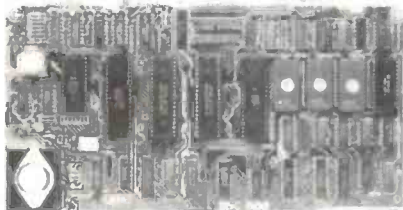
Postcode

Signature

K-NAR COMPUTER CARDS

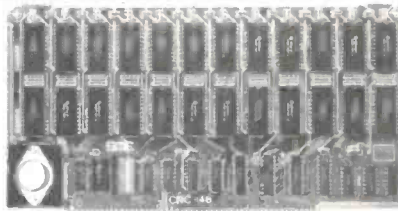
S100 Z80 System Card Specialists

You know the SME Systems boards as the most powerful and technically up-to-the-minute manufactured in Australia today. Using K-NAR's mail order system can save you dollars. Compare our prices on these high performance cards.



SBC-800. 4 Mhz Z-80 CPU, two serial RS232 ports, software programmable Baud rate gen., Centronics parallel port, 22 prog. I/O lines, real time clock (battery backed), 2K CMOS RAM, power on reset/power fail detect, battery backed as standard, etc. List Price \$495.

\$395 OUR PRICE



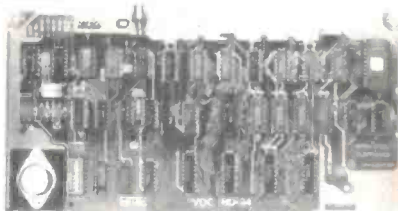
CRC-64. Fool-proof memory system. State-of-the-art 64K CMOS memory card with memory protection, on board battery back-up, compatible with DRC-II, write protection enable/disable. List Price \$675.

\$565 OUR PRICE



FDC-II. Enhanced floppy disk controller, IBM 3740 compatible, operates 5" & 8" and single/d. density drives, handles up to 4 drives, runs multi-density CP/M2.2 & MP/M 2. Vectored interrupt operation optional. List Price \$465.

\$370 OUR PRICE



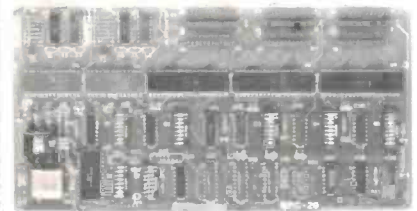
VDC-8024. The low cost alternative to stand-alone terminal. Flexible 80x24 memory mapped video display board with full ASCII, semi graphics, Inverse & half intensity video, flicker free screen updating. Battery backed option offers diagnosis of system shut downs. List Price \$325.

\$265 OUR PRICE



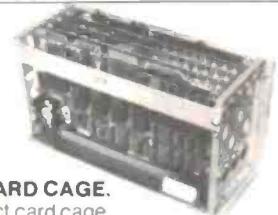
DRC-II. The board for multi-user installations. 64/256K dynamic RAM card, bank select, fast 4 Mhz operation, on-board memory prom, dip-switch selectable boundaries, bank mode allows up to 8 boards on bus, hidden refresh, phantom disable. List Price \$600.

\$475 OUR PRICE



SPC-29. High performance dual serial & 9 parallel port I/O CARD, with full I/O address decoding. Switch selectable baud rates. Link patch area, programmable modes for strobed/latched I/O. List Price \$295.

\$235 OUR PRICE



MINI CARD CAGE.

Compact card cage frame with 5-slot motherboard plated through hole. Five edge connectors. Our Price \$125.

\$125 OUR PRICE



S-100 WIRE WRAP CARD. Gold-plated edge connectors, through hole plating, provisions for four regulators, distributed power rails. I/O connector provision on top of card.

\$33 OUR PRICE

PACKAGE SPECIAL The heart of your powerful computer system.

SBC-800 • FDC-II • DRC-II.
& 5-slot motherboard with mini-cage.
Monitor/BIOS EPROM.

Special package price

\$1425*

K-NAR
COMPUTER CARDS

PO Box 412, Dandenong 3175, Phone (03) 795 5858.
Authorised distributor of SME Systems products.

* Prices subject to change without notice. All prices excluding tax. For retail prices add 20%.
All boards fully assembled and tested and backed by 90-day guarantee.

Please send me product data sheets.
(I enclose 4 stamps).

I wish to order

My cheque/order form for ... is enclosed

Please debit my Bankcard No.

Name

Address

Signature

Please include me on your new product mailing list. I am mainly interest in systems for Hobby, Industrial use, Education, Business, Process control, Other.

KN428

The slickest way to get car grease out of your hair.

Getting rid of grease from your car engine used to be a headache. Then Kitten came along and invented two magic products that do the whole job quickly and thoroughly. Simply ask for Degreezo or Jet Spray Degreaser from The Kitten System.

Jet Spray Degreaser eats oil and grease, swallowing the build-up on the engine and chassis.

Jet Spray Degreaser will not harm paint, metal or lacquer. Just spray on, let it work for five to ten minutes, and then hose off. The job's finished.

If you prefer a paint-on application to an aerosol, try Degreezo in the economical 750 ml pack.

Paint it on engines, extra dirty motor parts or your oil-stained driveway and stand back to watch Degreezo lift out the muck.

Degreezo's specially developed formula dissolves oil and grease, so all you have to do is hose it off, leaving your parts as bright as the day you bought them.

So, to get car grease out of your hair permanently, ask for either Jet Spray Degreaser or Degreezo from The Kitten System.



KIW 311/3

 **THE KITTEN SYSTEM.**

THE CREAM OF CAR CARE.

Best bass yet from a kit!

As featured in Electronics Australia Projects June and July 1981.

Now Peerless introduces another major advance to kit-set loudspeaker technology. A bass speaker with a rigid polypropylene cone that clearly outperforms traditional paper composite cone speakers to provide:

- Cleaner, tighter bass sound reproduction
- Low colouration and distortion
- High efficiency, suiting 25W to 100W amplifiers
- Consistent rigid panel, low mass speaker cones.

Other outstanding features of Danish-built Peerless speaker kit-sets are:

- Sealed back mid-range with excellent linearity and low distortion
- Latest Peerless 1" soft-dome tweeter
- State-of-the-art crossover networks
- Exceptionally flat response extending to 25,000 Hz.

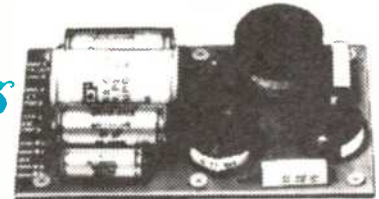
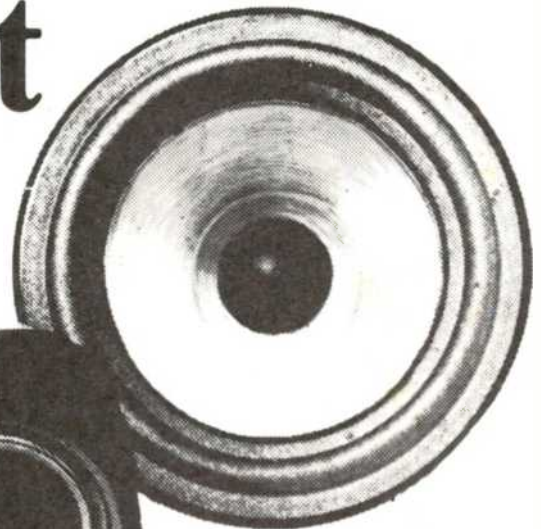
Choose from these EA/Peerless speaker projects:

- PAS 100 12" 3-way 100W (100L)
- PAS 60 10" 3-way 90W (60L)
- PAS 25 8 1/4" 2-way 60W (25L)

includes drivers, crossover, wiring and instructions.

Sole Australian Importer, G.R.D. GROUP PTY. LTD.

698 Burke Road, Camberwell, Vic. 3124. Trade enquiries welcome.



N.S.W.		VIC.		S.A.		W.A.	
Bondi Junction		Bellarat		Adelaide		Medlands	CONCORD/6480
Danish Hi-Fi Aust. Pty. Ltd.	Ph (02) 387 5878	Turner Audio	Ph. (053) 32 2042	Hi-Fi Acoustic	Ph (08) 223 6774	Danish Hi-Fi Aust. Pty Ltd	Ph (09) 386 8564
Concord		Camberwell		Adelaide		QLD.	
Electronic Agencies	Ph. (02) 745 3077	Danish Hi-Fi (Aust) Pty. Ltd.	Ph (03) 82 7348	Danish Hi-Fi Aust. Pty Ltd.	Ph. (08) 51 2124	Brisbane	
Crows Nest		Cheltenham		Goodwood		Brisbane Agencies	
Deeva Hi-Fi	Ph: (02) 439 3999	Beland Electronics	Ph (03) 550 2279	The Acoustic Foundry	Ph: (08) 271 0276	Audio Centre	Ph (07) 221 9944
Dee Why		Geelong		Hawthorn		Barunda	
David Ryall Electronics	Ph: (02) 982 7500	Steve Bennett Audio	Ph. (052) 21 6011	Sound Craftsmen	Ph. (08) 272 0341	G. Mills Stereo	Ph (07) 391 5606
Sydney		Hawthorn		St. Peters		Redcliff	
Electronic Agencies	Ph (02) 29 2098	Tivoli Hi-Fi	Ph: (03) 818 8637	Mitronix	Ph (08) 42 3781	Hi-Fi Sales	Ph (07) 284 2495
Wagga Wagga		Warrnambool					
Car Radio & Hi-Fi Centre	Ph: (069) 21 4618	Bruce Henderson Audio World	Ph: (055) 62 5147				



SESSIONS HARDWARE

A complete range of case and container hardware.

CATCHES — **CORNERS**
HANDLES — **CLAMPS**
DOWELS — **FEET**

For Information & Sales Contact:

Jands Electronics Ph: 516 3622
P.O. Box 78 St Peters 2044 578 Princes H'way St Peters.

INTERSTATE DISTRIBUTORS

Vic.	Electric Factory — 188 Plenty Rd, Preston
W.A.	Kosmic — 1058 Albany H'way, Bentley
S.A.	Hi-Watt — 37 Angus St, Adelaide
Qld.	D.S.A. — 10 Huesler Trce, Milton.

It's looking good for the hi-fi industry

Hi-fi sound has, in the last year or so, appeared to be a quiet wallflower in comparison to the exotic entertainment offered by video. You could be forgiven for thinking that viewing the world through the rosy hues of a TV screen, with one's super-doooper-do-anything VCR recording even more programs, is the ultimate answer.

But the question is: what about life, the universe and everything to do with the pleasure of listening to good music? And that's what the members of the Hi-Fi Industry Association were asking at their last meeting in Sydney.

Mr. Ted Fawle, managing director of Marantz, led the discussions chaired by the president, Mr. Gary Fitzsimmons, distributor of Shure, DBX and other quality products. A campaign of action was planned to beat the economic recession and the strong influence of the Japanese market.

The Japanese are only interested in mass production and when hi-fi didn't respond to mass marketing techniques they concentrated on lower priced units. This eventually brought hi-fi down to radiogram prices and quality.

All the advertising to promote these cheap but good looking systems made the public believe that hi-fi could be bought for \$699. The standards of the industry became depressed as everyone else was forced to cut corners and maintain sales to survive in a vicious and low-profit market.

But the signs are good as we begin the era of the digital audio disc player. This will focus the public's attention back on to good sound and the quality speakers and amplifiers necessary to cope with the transience and dynamic range of the digital audio.

Optimism has returned to the Hi-Fi Industry Association. Companies such as Bose, AR and Morduant Short resigned from the association because they grew tired of the marketing politics. But now Bose and the Morduant Short distributor, Concept Audio, have re-joined.

The only Japanese companies still in are dedicated hi-fi manufacturers like Pioneer, Yamaha, Sony and the Philips owned Marantz, all of which want to see the hi-fi market returned to its up-market pedestal.

The association's plan of action covers:

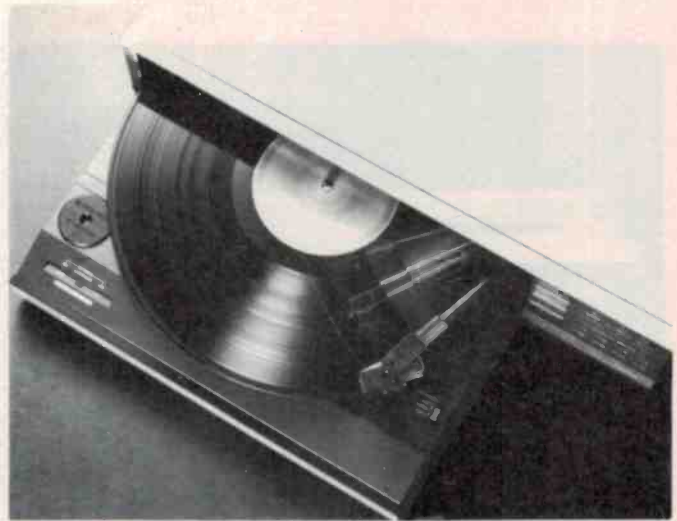
- An ad hoc policy to not advertise hi-fi systems below \$1200 to direct the public's attention to quality audio.
- Annual awards will be sponsored by the hi-fi industry based on selections by a panel of leading electronics writers. These awards will be in the areas of journalism, hi-fi product inventions, advertising and dynamic merchandising.

- Communication with the public will be improved by more press releases, a new audio guide booklet and an information kiosk to be used at all appropriate consumer shows. Communication within the industry will be via a quarterly trade and dealer newsletter, with meetings between common interest groups.

- Seminars will be held year round for the whole industry, including retailers, to try and lift the marketing of hi-fi to a more professional level.

- Larger budget promotions will include battle-of-the-bands contests, sponsorship of simulcasts and advertising campaigns.

An ideal opportunity for promoting hi-fi will be at the updated Sydney Consumer Electronics Show to be held at the Sydney Showgrounds in July. Roy Castle, of Total Concept Exhibitions, is now organising the show. Several companies have already signed up, including Marantz, TDK, R.H. Cunningham and Hanimex, and many others are expected to sign soon.



Pioneer's front loading turntables

The top-of-the-range front loading turntable, the PL-88F, features a platter assembly that glides in and out at the touch of a button.

The PL-88F can be placed beneath, or stacked between, your other components and can handle a load of up to 40 kg.

It also offers programmable, automatic conveniences such as music search which allows a total of eight different songs to be played back in any order, index scan, skip and repeat. Deck synchro allows the turntable to be operated in synchronisation with Pioneer cassette decks.

Pioneer claim that their newly developed Double Eye Sensor and Address Sensor, electronic and optoelectrical devices, provide smooth and accurate operation. The direct drive arm

motor and moving coil cartridge are standard.

The recommended retail price is \$599.

A second front loading model is the PL-44F which also has the functions of repeat play, music search and deck synchro. It has fully automatic operation and the platter is driven by a belt drive dc servo motor with stable hanging rotor. Wow and flutter is 0.045%.

The PL-44F retails for \$329.

More information on these models can be obtained from Pioneer Electronics, 178 Boundary Rd, Braeside Vic. 3195. (03)580-9911.

Japanese to manufacture VCRs in Europe

Matsushita, Sanyo and Mitsubishi have stated that they intend to manufacture VCRs in Europe.

Matsushita said that it will produce VCRs in West Germany later this year, in a joint venture with Robert Bosch, GmbH. The VCRs will carry the Panasonic and Blaupunkt names. Blaupunkt Werke is a subsidiary of Robert Bosch and has been private-labelling VCRs in Europe which were made in Japan by Matsushita.

Sanyo is adding VCR production to its colour TV plant in Norfolk, England. Sanyo said that initially 5000 VCRs will be

made per month which will be increased to 10000 units per month. At first sales will be to the British market only.

Mitsubishi is expanding its existing plant in Haddington, England, to include VCR production and said it plans to bring on line a VCR facility in Scotland.

These disclosures came as European Economic Community called for voluntary VCR export restraints by the Japanese.



Fisher video cassette recorder

Fisher's Model FVH-P530 is a slim styled, top-loading unit featuring a 15-function infra-red remote control.

Recording and playing time on a VHS E-240 cassette is four hours and the programme timer lets you select programmes up to 14 days in advance with as many as five programmes selected in that time, subject to the length of the tape used.

Picture search in colour is possible at five times normal speed in both forward and

reverse modes. Four other speed variations are provided including frame by frame and still frame.

The FVH-P530 is available now from selected outlets at a recommended retail price of \$1428. For more information contact Sanyo Australia, 225 Miller St, Nth Sydney NSW 2060. (02) 436-1122.

This echo unit is back again, again . . .

Charlie Watkins, of Watkins Electric Music, London, has been visiting music shops throughout Australia re-introducing the WEM Copicat Echo Unit.

This unit was originally sold here years ago by Alan Rose. The machine is in the same format as the older unit but, of course, it has been updated with the latest electronic technology. It still has the same 'Shad' sound and now incorporates a 'variable speed' feature.

WEM have also introduced to the music scene a new range of speaker drive units. With an RMS power rating of 300 watts, these 10" and 12" models have been designed and constructed specifically for use in situations where high power is experienced over long periods, and where high efficiency and low distortion characteristics are vital.

The specially developed centre suspensions are fitted to

the speakers, mounted upon steel platforms. The diaphragms are designed to provide response from 35 Hz to over 4 kHz, with an approximately doubled output in the region of 1500 Hz to 4000 Hz. At full power sound pressure levels in excess of 125 dB (at one metre) are being produced.

WEM have a computer program which will calculate the optimum reflex port size and length for any stated cabinet volume. This service is free to WEM 300 Series speaker users.

Monty Watkins is the boss of the Australian distributors. For more information write to WEM, 13 Ilya Ave, Bayview NSW 2014. (02) 99-3227.

Is taping copyrighted television programs illegal?

The Supreme Court in the US will decide whether the 1976 Copyright Act considers home taping of copyrighted broadcasts 'fair use'.

In 1981 the 9th Circuit Court of Appeals in San Francisco ruled against Sony, in a case Sony originally won in a Los Angeles federal court after Universal and Walt Disney sued Sony and certain retailers for copyright violations.

Now Sony is arguing for the reversal of this lower court decision which makes it illegal to tape copyrighted television programs. Walt Disney and Universal Studios are against home taping.

Sony's attorney is arguing that program producers are improperly trying to restrict the use of free, over-the-air pro-

gramming by viewers who receive the programs.

The attorney representing Universal and Disney has argued that VCR taping of copyrighted material is no different from commercial piracy and producers should be granted royalties on VCR sales.

Sony has denied liability for alleged illegal acts by its customers. Sony's attorney noted that a warning is included inside the Betamax package telling buyers improper use could violate copyright laws.

A decision is expected before the court adjourns in June.



New Ortofon cartridge series

Ortofon has released four new moving coil cartridges.

The MC 200 and its 'junior' version, the MC 100, are both integrated designs. They contain the same moving coil and wide range damping systems and ring magnet. The MC 100 also incorporates an aluminium cantilever with a nude, elliptical diamond stylus which has overhang adjustment facility and a user-replaceable stylus unit.

The technical specifications and performance of the Universal models, the MC 200U and MC 100U, are identical to those of

their integrated counterparts. In their outer design the Universal versions resemble Ortofon's LM models, with certain modifications. The cartridge body is shorter than the LM design and the height has been increased. They both have fixed stylus assemblies.

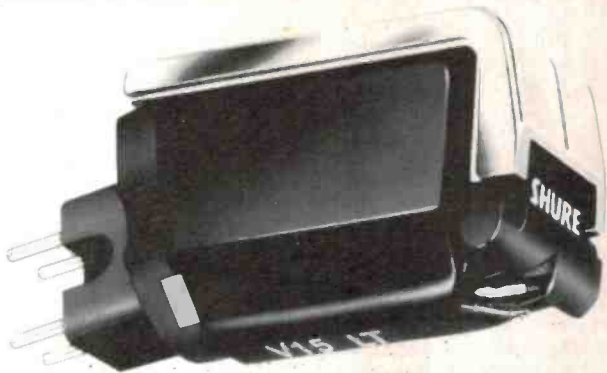
For further details of this series phone Harmon Kardon Australia, 6 Byfield St, Nth Ryde NSW 2113. (02) 887-3233.

When you're ready to 'face' the music we have a tip for reduced distortion.

The hyperelliptical stylus tip, acclaimed for its low distortion and high trackability, is now available in a whole series of Shure pickups. Whether you're seeking to reproduce the full dynamic range of today's new superdiscs, or simply to obtain maximum listening pleasure from treasured records in your collection, you'll find an HE pickup with the combination of features and performance that best meets your needs from the models below.



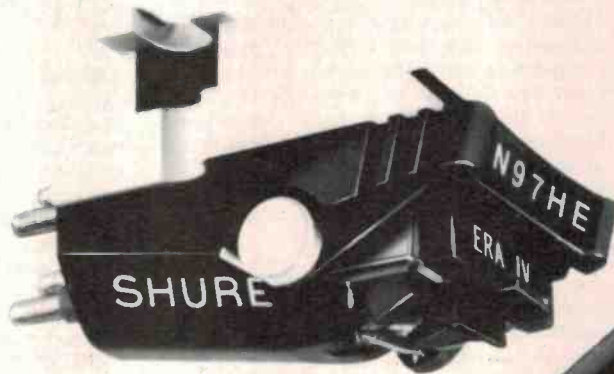
M95HE
Features high trackability, flat frequency response, low loss/high output magnetic pole piece, at a modest price.



V15LT & M97LT
(Linear Tracking Models.) Get the most from advanced technology linear tracking turntables! Performance comparable to V15IV and M97HE respectively.

M97HE-AH "the Headliner". All the design and performance of the M97HE plus the simplicity of plug-in connection. Allows instant attachment to the tone arm of most turntables.

M97HE
Top of the line features and excellent performance at an intermediate price. Features Dynamic Stabilizer and SIDE-GUARD stylus protector.



MV30HE
Sleek, integral pickup/arm carrier combination for use with SME Series III and SME Series IIIS tone arms. Performance similar to V15IV.



V15 Type IV
Perfectionists choice! With unprecedented trackability, ultra-flat response, Dynamic Stabilizer, low effective stylus mass.

hi fi

SHURE

AUDIO ENGINEERS P/L 342 Kent Street Sydney NSW 2000 (02) 29 6731	NOMIS ELECTRONICS 689 South Road Black Forest SA 5035 (08) 293 4896	AUDIO ENGINEERS Qld 47 Castlemaine Street Milton Qld 4064 (07) 369 9670	AUDIO ENGINEERS Vic 2A Hill Street Thornbury Vic 3071 (03) 44 3295	MARKETEC 18 King William Street Sth Fremantle WA 6162 (09) 335 8275
--	---	---	--	---

Hear ye! Hear ye!

Seven headphones tested

AKG K4 • AUDIO TECHNICA ATH-0.5 • EMPIRE LW-2 • NAKAMICHI SP-7
PIONEER SE-L90 • SENNHEISER MS100 • SONY MDR-80T

All ears? Every set of these lightweight headphones performs well. Testing was obviously a heady experience with low distortion levels and good frequency responses. No particular headphone stood out as being the best. You'd be pleased with any of them.

Louis Challis

WHEN MY LATE FATHER was a young man in Perth he built his first crystal set. He regarded that set as one of his most prized possessions and listened to the small number of amateur commercial stations with a primitive set of high impedance headphones. That early crystal set was improved by adding a valve. Then a second valve was installed and he and his sisters listened through three sets of high impedance headphones. He assured me on his 79th birthday that the intimacy of those headphones, with their limited frequency response, heavy dangling wires and the messy high outside aerial, made it all worth while. It opened up a new world of entertainment and information. The large outside world seemed to become smaller and closer.

Loudspeakers had been out for a while before my father bought his first one. Even though the radio receiver produced more audible power, he soon tired of his own handy-work. In 1936 he purchased a magnificent seven valve radio with remarkably good local and short-wave reception and, in many respects, it was better than most modern receivers. But as he often told me, and I believe it to be true, even though the output was louder this did not quite compensate for the intimacy that the old headphones provided. It took more than 50 years before there was a resurgence in the use of headphones for personal listening.

The greatest attribute of headphones is that they do not disturb other people in the same room even when listening at high levels. The second attribute of the best headphones is that until recently they have been comparable to, and in many cases superior to, the majority of loudspeakers. The third attribute is the feeling of intimacy that they produce which is still not really matched by any but the best of loudspeakers.

New design concept

The design philosophy that pushed headphones back into the public's eye was primarily the work of the Sennheiser Company of Germany. They produced the first 'open ear' concept of lightweight headphones with the best known example being the HD414 series. The basis of the concept made use of a supra-aural transducer (external transducer) in lieu of a circumaural transducer (close coupled transducer). The weight of their new lightweight headphones was reduced to less than a third of what the competitors' headphones were and the long term listening comfort was improved by a factor of three. Those early Sennheiser headphones soon became the choice of radio announcers all around the world and that pre-eminent position was not really challenged by any other manufacturer until quite recently.

The status quo may well have stayed exactly as it was if it had not been for the development of the ubiquitous Sony Walkman lightweight portable stereo cassette player and all the other 'Mr. Me-Too' look-alikes which have appeared over the last three years. In that time the Sony Corporation has produced what must be literally millions of these units and the market for lightweight headphones has mushroomed at an absolutely astounding pace.

Of course there are many reasons for this phenomenon and one of them is that the latest generation of personal portable cassette players provides two headphone jacks for shared listening. And it's also a fact that many users have been dissatisfied with the cheaper originally supplied headphones whose performance does not match that of the cassette player. However the most important reason may well be that the users are demanding better performance.

AKG K4

*Manufactured: by AKG Acoustics, Vienna, Austria
Distributor: AWA, 554 Parramatta Rd, Ashfield NSW 2131. (02)797-5757.*

AUDIO TECHNICA ATH-0.5

*Manufactured: by Audio Technica Corp, Tokyo, Japan
Distributor: Rose Music, 17-33 Market St, South Melbourne Vic. 3205. (03)699-2388.*

EMPIRE LW-2

*Manufactured: by Empire Scientific Corp, Garden City, New York US
Distributor: Concept Audio, 22 Wattle Rd, Brookvale NSW 2100. (02)938-3700.*

NAKAMICHI SP-7

*Manufactured: by Nakamichi Corporation, Tokyo, Japan
Distributor: Convoy International, 400 Botany Rd, Alexandria NSW 2015. (02)698-7300.*

PIONEER SE-L90

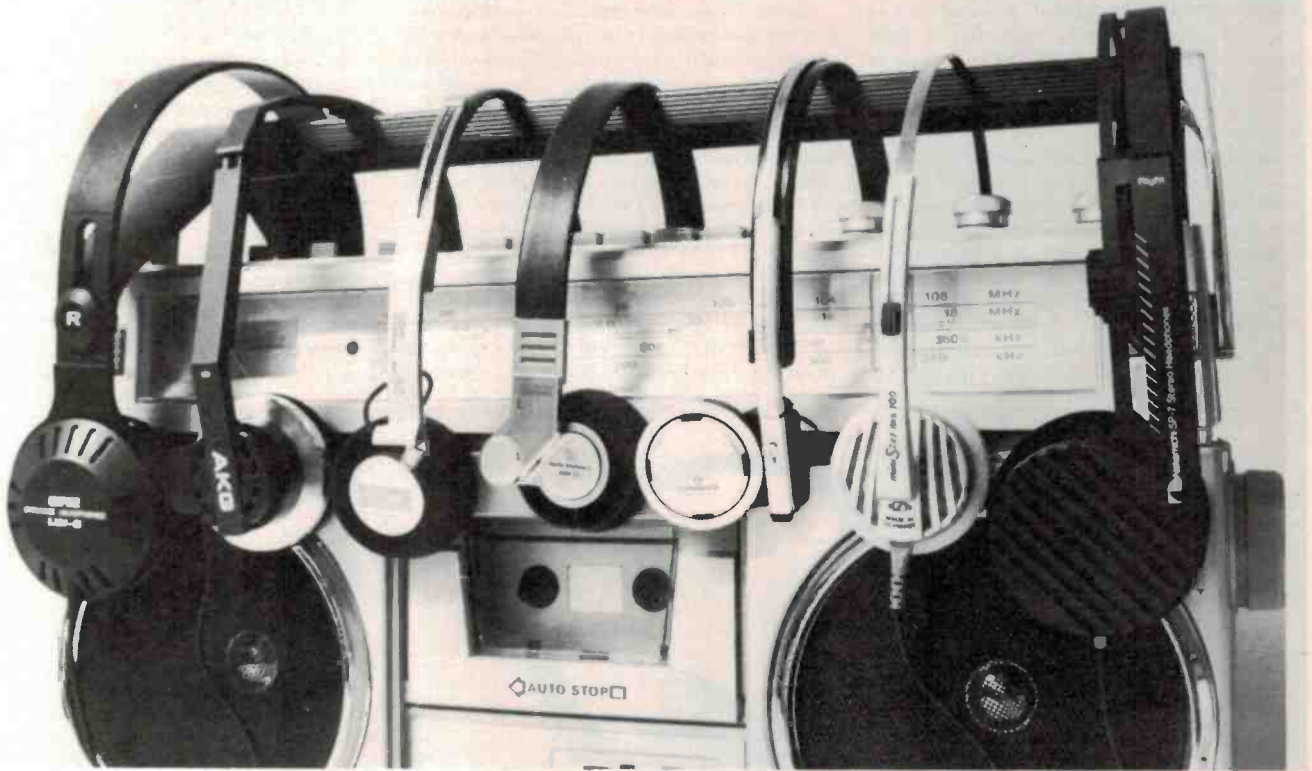
*Manufactured: by Pioneer Electronic Corporation, Tokyo, Japan
Distributor: Pioneer, 178 Boundary Rd, Braeside Vic. 3195. (03)580-9911.*

SENNHEISER MS100

*Manufactured: by Sennheiser Electronic KG, Wedemark, Germany
Distributor: R.H. Cunningham, 4-8 Waters Rd, Neutral Bay NSW 2089. (02)909-2388.*

SONY MDR-80T

*Manufactured: in Japan by hi-fi audio division of Sony Corporation
Distributor: Sony, 453 Kent St, Sydney NSW 2000. (02)20221.*



On test

I guess it was with these thoughts in mind that the editor decided it was time to undertake a comparison review of a representative sample of the newest and best lightweight, inexpensive headphones available on the local market. The sample group selected is not as comprehensive as some readers may like, but it is large enough to give you the opportunity to pick from units with prices ranging from \$112 down to \$40. Significantly we have evaluated the main technical features in terms of the most important and subjective parameters.

A typical set of new lightweight headphones incorporates a headband which is generally adjustable, a yoke assembly to provide for the swivelling action of the transducer, a pad or foam cover to achieve the comfort and correct spacing of the earpiece from the pinna (external ear) and a parallel cord connection which has a plug to connect the two separate circuits to your cassette player or receiver. Anyway that's the description that I used to think was appropriate for a set of headphones. However, the units that I received exhibited significant differences in each and every area, from headband right down to the plug.

The testing procedure that I have used to evaluate these headphones makes use of a number of specialised pieces of equipment, some of which are rare and not readily available. The testing determined the frequency response for each earpiece, the impedance, the distortion, the sensitivity and the attenuation (or reduction of external sound). We also weighed the headphones and mea-

sured the cord lengths and the clamping force in Newtons produced by the headphones when tested on a standard headphone force gauge.

The heart of the testing system is a Bruel & Kjaer Type 4153 artificial ear which incorporates a special Bruel & Kjaer Type 4134S quartz coated capacitor microphone. The Bruel & Kjaer artificial ear introduces some non-linearities of its own but these are less significant than those produced by the headphones. The most unusual piece of equipment is a headphone force gauge which we designed for associated measurement work on hearing protectors and ear muffs.

With seven headphones to test we decided to utilise a slightly different approach to our normal procedure in which we describe each piece of equipment in great detail. It was obvious that a cumulative tabulation was essential, apart from the individual result sheets which we also produced.

Objective test results

All of the headphones exhibit frequency responses ranging between good to extremely good. These typically extend from 50 Hz to beyond 10 kHz with some of them showing a remarkable linearity that only a few years ago would have been expected from headphones costing many times the price of these units.

It is clear from the frequency responses, and from my visit to Audio Technica in Japan three years ago, that most of the manufacturers have probably done exactly what we have done and used the Bruel

& Kjaer Type 4153 artificial ear as their reference standard.

In terms of linearity of frequency response, the Nakamichi SP-7, Sennheiser MS100 and Sony MDR-80T are all close to being at the top of the list whilst the AKG K4, Audio Technica ATH-0.5 and Pioneer SE-L90 come close to matching that performance. The Empire LW-2, while still offering a fairly good performance, would fall into the third classification.

The power required for 90 dB at 1 kHz varies between 700 μ W at one end of the range for the Sennheiser MS100 to a miniscule 76 μ W for the Sony MDR-80T at the other end of the spectrum. Most of the units exhibit fairly smooth impedances with values ranging from 45 ohms to as high as 667 ohms for the Sennheiser at a frequency of 100 Hz.

The distortion figures were measured at both 90 dB and 120 dB. This is a fairly demanding test as 120 dB of sound pressure is above my pain threshold and is a sound level comparable with the loudest rock concert you are ever likely to go to. Surprisingly the Nakamichi SP-7 exhibited distortion figures that were less than 2% at 100 Hz whilst the AKG K4 produced a distortion level of 17.2% at the same frequency. Most of the other headphones produced distortion figures that were intermediate between these two figures. I was very impressed with all of the headphones' ability to perform well when producing sound pressure levels as high as 120 dB and in this respect the designs have improved dramatically in the last couple of years.

None of the headphones produced signifi- ▶

cant or even measurable external airborne sound attenuations until a point where the external frequency exceeded 3 kHz. Consequently it is possible to wear any of them while performing other tasks. This is particularly important for draftsmen, crane drivers and for those of you involved in a wide range of sporting and leisure activities.

An important parameter that most manufacturers are only now starting to consider is the clamping pressure that the headphones produce. These range from 2.13 Newtons to 4.8 Newtons with most of the headphones producing a figure close to a mean of 2.4 Newtons. Pressure, however, is not the only factor involved with comfort. The size and shape of the supra-aural pad and its

swivelling abilities are equally important.

When I was carrying out a walking test I soon discovered that the headband construction is also a significant factor when one is actively moving around. The headband interacts with the shape of your head, the amount of hair on your head, the size of your ears and obviously the type of activity in which you are involved. I have produced my own personal rating for comfort with values as stars in the tabulation. However, your head and my head are not the same and consequently your comfort assessment will almost certainly be different to mine. My advice is to try on the headphones and mime the most violent action you are likely to be involved in, before finalising your selection.

Subjective test

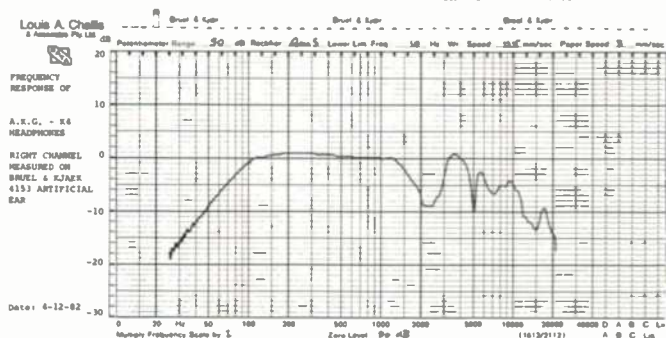
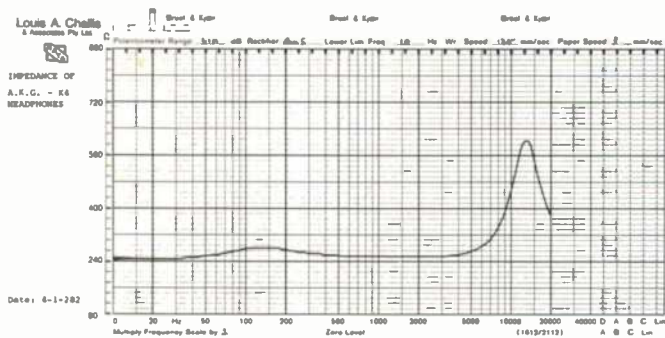
The listening test was an interesting and yet difficult task. I was surprised at the overall comparability of these headphones when listening to a normal program content, particularly at sound pressure levels not exceeding 100 dB. Under these conditions there were fine differences separating the individual headphones in A-B testing.

At a normal volume all of the units exhibited moderately low distortion levels, although by and large, the Nakamichi, Audio Technica, Sony and Sennheiser tended to shine in this respect. At a higher volume the Nakamichi SP-7 proved to be an exceptional pair of headphones and generally provided a



MEASURED PERFORMANCE OF AKG K4

WEIGHT	
(Phones & 100mm cord)	83 G
CLAMPING FORCE	
	4.8 Newtons
FREQUENCY RESPONSE:	
(Typical)	see graph
SENSITIVITY	
(for 90dB SPL @ 1kHz)	400 mV/1300 μW
INPUT IMPEDANCE:	
100 Hz	280 ohms
1kHz	256 ohms
6.3kHz	290 ohms
TOTAL HARMONIC DISTORTION:	
	90dB 120dB
100 Hz	2.7% 17.2%
1kHz	0.06% 0.72%
6.3kHz	0.039% 0.3%
REDUCTION OF EXTERNAL NOISE:	
100 Hz	0 dB
1kHz	0 dB
6.3kHz	14dB



Manufacturer	Model	Price	Type	Cord length m	Plug mm	Max. input specification mW	Nom. impedance specification ohms	Sensitivity specification dB/mW
AKG	K4	\$112	Es/Dyn	3	6.3	200	400	92
Audio Technica	ATH-0.5	\$39.95	Es	1.33 +2m extension	3.5	250	—	100
Empire	LW-2	\$59	Dyn	2.5	6.3	200	200	98
Nakamichi	SP-7	\$80	Dyn	3	6.3	100	45	98
Pioneer	SE-L90	\$69	Dyn	3	3.5	100	40	103
Sennheiser	MS100	\$70	Dyn	3	6.3	250	600	96
Sony	MDR-80T	\$89	Dyn	3	3.5	100	45	106

SOUND REVIEW

level of distortion which none of the other units could really match. Considering that its price falls almost halfway between the most expensive and least expensive units this is a real attribute.

On classical music, jazz, percussion and rock all of these headphones perform remarkably well. Surprisingly enough the AKG K4 provided an exceptional performance in this regard and even the Empire LW-2, whose frequency performance is not quite as good as the rest of the field, provided an above average subjective response.

The individual headphones, however, have many other features which are worthy of consideration. For example, if economy of battery operation is important then the

Sony MDR-80T is truly an exceptional set of headphones, using a miniscule 76 μ W for 90 dB, thereby stretching the battery mileage further than any of the other headphones. The Pioneer headphones provide a natty and very convenient facility for rotating the earpiece, so that the headphones can be conveniently packed into your briefcase, handbag or jacket pocket for travelling or when not required.

The designers in most (but not all) cases have provided adaptors for jacking into standard 6.3 mm tip-ring-and-sleeve stereo sockets or the newer 3.5 mm equivalent. In one case, Audio Technica ATH-0.5, this is achieved by an extension cable which simultaneously increases the overall cable

length of the system.

In summation this would probably be one of the most difficult reviews that I have undertaken in the last fourteen years. Every set of headphones performs well with only a few of them providing exceptional performance in one or more areas. No single headphone stood out head and shoulders above the rest, although at least four of them have received four star ratings because of their outstanding performance in at least one area.

I could safely recommend any of these headphones to you in the knowledge that if you find them comfortable, I am sure you will also be pleased with the acoustical performance. ▶



MEASURED PERFORMANCE OF AUDIO TECHNICA ATH-0.5

WEIGHT

(Phones & 100mm cord) 55 G

CLAMPING FORCE

2.13 Newtons

FREQUENCY RESPONSE:

(Typical) see graph

SENSITIVITY

(for 90dB SPL @ 1kHz) 88 mv (186 μ W)

INPUT IMPEDANCE :

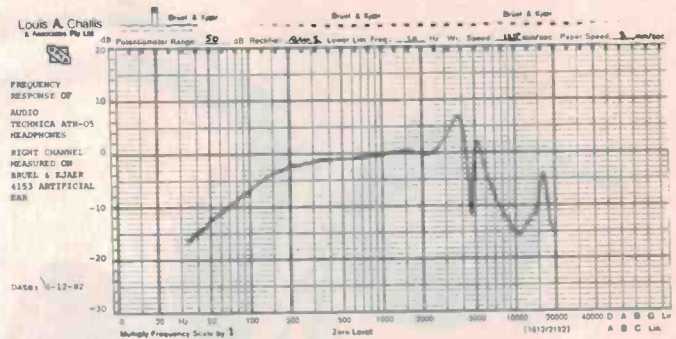
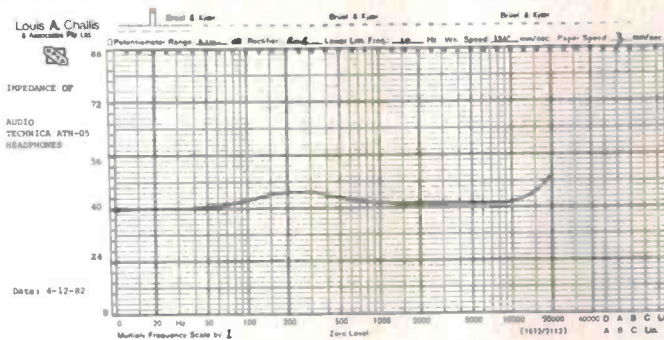
100 Hz 42.4 ohms
1kHz 41.6 ohms
6.3kHz 41.3 ohms

TOTAL HARMONIC DISTORTION :

	90dB	120dB
100 Hz	1.1%	12.0%
1kHz	0.03%	0.36%
6.3kHz	0.09	0.43%

REDUCTION OF EXTERNAL NOISE :

100 Hz	0 dB
1kHz	0 dB
6.3kHz	13dB

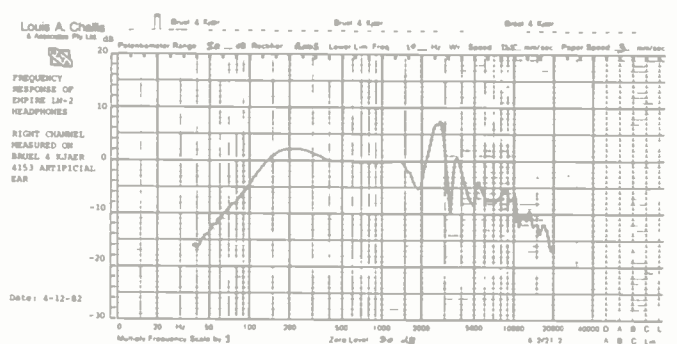
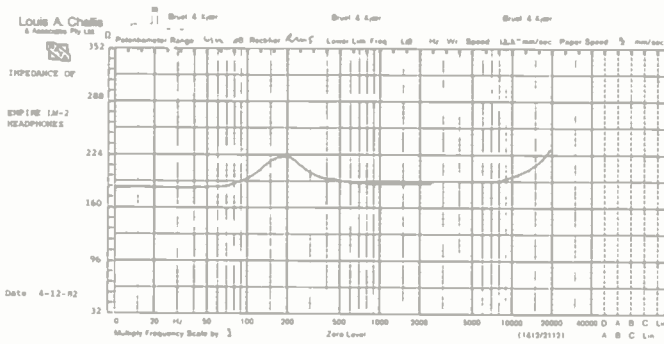


Ear cup material	Spare pads	Adjustable headband	Plug adaptor	Measured cup pressure (clamping force) Newtons	Measured weight grams	THD measured at 90 dB and 100 Hz	Comfort	Rating
Cloth on foam	No	Yes	Yes	4.8	85	2.7%	XXX	XXX
Foam	Yes	No swivel earpiece	Yes with cord	2.13	55	1.1%	XXX	XXX
Cloth on foam	No	Yes	No	3.21	152	0.9%	XXXX	XXX
Foam	No	Yes	No	3.1	154	0.17%	XXX	XXXX
Cloth on foam	No	Yes and rotation of earpiece	Yes	2.28	70	0.94%	XXX	XXX
Foam	Yes	Yes	No	2.3	48	1.2%	XXX	XXXX
Foam	Yes	Yes	Yes	2.39	68	0.6%	XXX	XXXX



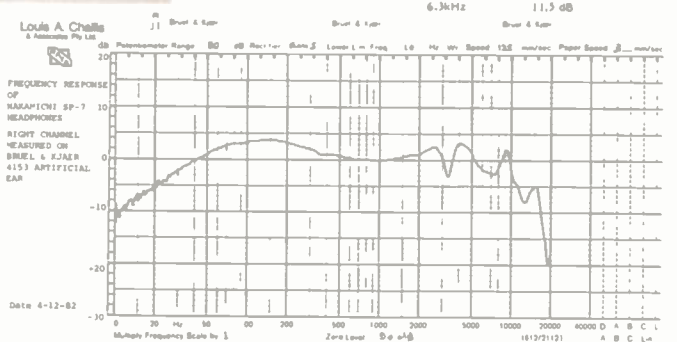
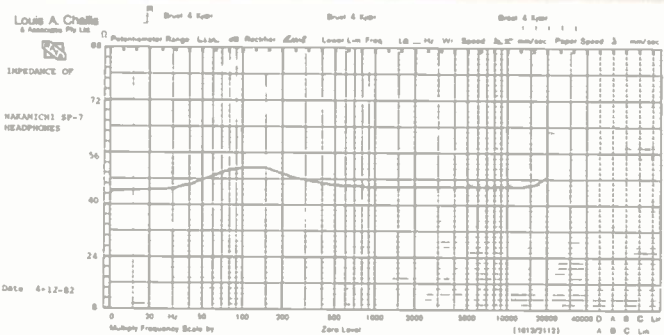
MEASURED PERFORMANCE OF EMPIRE LW-2

WEIGHT (Phones & 100mm cord)	152 G
CLAMPING FORCE	3.21 Newtons
FREQUENCY RESPONSE: (Typical)	see graph
SENSITIVITY (for 90dB SPL @ 1kHz)	180 mV (138 μ W)
INPUT IMPEDANCE:	100 Hz 195 ohms 1kHz 188 ohms 6.3kHz 192 ohms
TOTAL HARMONIC DISTORTION:	90dB 120dB
	100 Hz 0.9% 12.3% 1kHz 0.06% 0.07% 6.3kHz 0.061 0.22%
REDUCTION OF EXTERNAL NOISE:	100 Hz 0 dB 1kHz 0 dB 6.3kHz 25dB



MEASURED PERFORMANCE OF NAKAMICHI SP-7

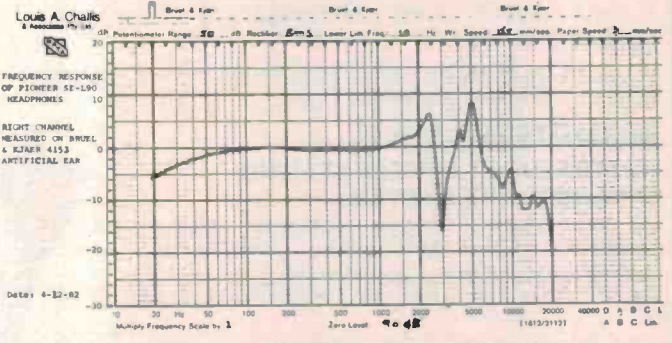
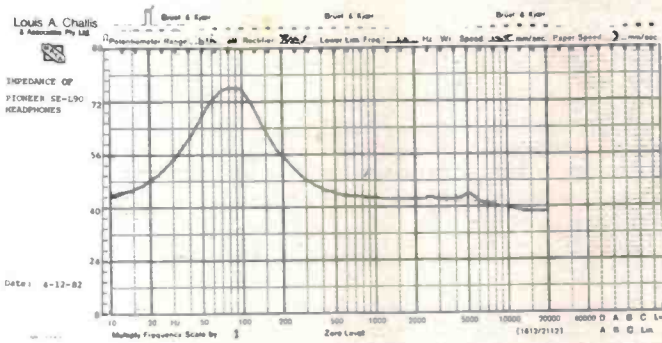
WEIGHT (Phones & 100mm cord)	154 G
CLAMPING FORCE	3.1 Newtons
FREQUENCY RESPONSE: (Typical)	see graph
SENSITIVITY (for 90dB SPL @ 1kHz)	114 mV (287 μ W)
INPUT IMPEDANCE:	100 Hz 51.2 ohms 1kHz 45.3 ohms 6.3kHz 45.3 ohms
TOTAL HARMONIC DISTORTION:	90dB 120dB
	100 Hz 0.17% 1.8% 1kHz 0.06% 0.7% 6.3kHz 0.07 0.23%
REDUCTION OF EXTERNAL NOISE:	100 Hz 0 dB 1kHz 0 dB 6.3kHz 11.5 dB



SOUND REVIEW

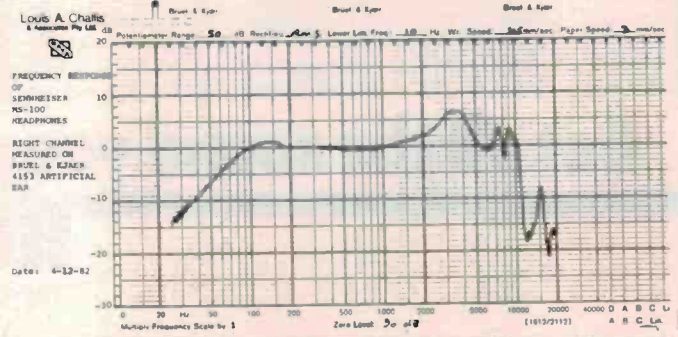
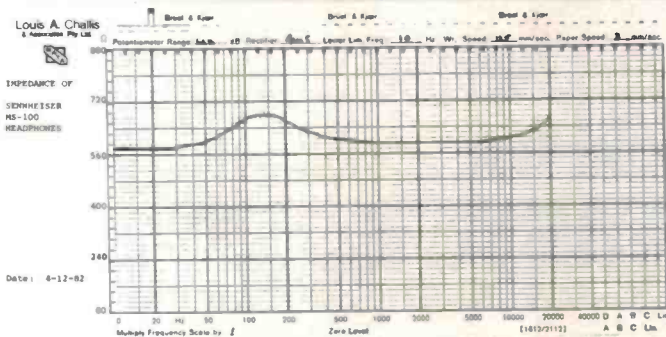
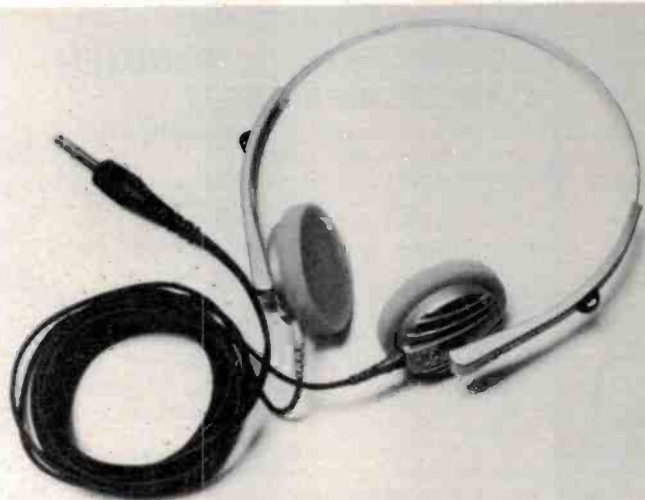
MEASURED PERFORMANCE OF PIONEER SE-L90

WEIGHT (Phones & 100mm cord)	70 G
CLAMPING FORCE	2.28 Newtons
FREQUENCY RESPONSE: (Typical)	see graph
SENSITIVITY (for 90dB SPL @ 1kHz)	66 mV (102 μW)
INPUT IMPEDANCE:	100 Hz 75 ohms 1kHz 82.7 ohms 6.3kHz 81.6 ohms
TOTAL HARMONIC DISTORTION:	90dB 120dB 100 Hz 0.9% 12.2% 1kHz 0.065% 0.58% 6.3kHz 0.17 2.1%
REDUCTION OF EXTERNAL NOISE:	100 Hz 0 dB 1kHz 0 dB 6.3kHz 18.5 dB



MEASURED PERFORMANCE OF SENNHEISER MS100

SERIAL NO.	3394147
WEIGHT (Phones & 100mm cord)	88 G
CLAMPING FORCE	2.3 Newtons
FREQUENCY RESPONSE: (Typical)	see graph
SENSITIVITY (for 90dB SPL @ 1kHz)	630 mV (700 μW)
INPUT IMPEDANCE:	100 Hz 667 ohms 1kHz 592 ohms 6.3kHz 594 ohms
TOTAL HARMONIC DISTORTION:	90dB 120dB 100 Hz 1.2% 15.4% 1kHz 0.045% 0.16% 6.3kHz 0.06% 0.17%
REDUCTION OF EXTERNAL NOISE:	100 Hz 0 dB 1kHz 0 dB 6.3kHz 12 dB



ARE YOU MISSING OUT?

You've spent hundreds or maybe thousands of dollars on your hi-fi. Great amplifier, superb turntable, fantastic speakers. But are you getting all the sound you paid for?

Probably not . . . if the vital connections between your hi-fi components aren't made using the Monster Cable system of precision cables, connectors and accessories.

Monster Cable is a proven interconnect system that will dramatically increase audio performance and provide the best acoustic value-for-money improvement you're ever likely to make to your hi-fi.

If you're really serious about your sound system and the listening pleasure you derive from it . . . read on!

MONSTER CABLE AUSTRALIA'S LARGEST SELLING SPEAKER WIRE SYSTEM

The rapid improvements in power amplifiers and loudspeakers have focused attention on a major weakness — the speaker cable system.

By eliminating the problems associated with conventional wire, Monster Cable directly couples your amplifier to your speakers without loss, without distortion.

How? More copper, finer strands, higher purity and a unique winding configuration that lets your amplifier and your speakers make beautiful music together. For sounds that are dynamic and powerful, open and clear. The way real music should be.

And more! Monster Cable provides big performance for little dollars. You can significantly improve the performance of your sound system simply by switching from your conventional speaker wire to Monster Cable — it costs you less than buying better speakers, a better amplifier, or even a better cartridge.

However . . . beware the imitators. They offer price but not quality. Only the finest materials are used in producing Monster Cable. And it is safe to use with all amplifiers, regardless of design.

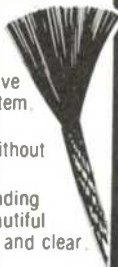
Monster Cable is available conveniently pre-packed in 3.7 metre (12 ft), 6.1 metre (20 ft) and 9.1 metre (30 ft) pairs, or can be professionally cut and terminated in custom lengths at your local Monster Cable dealer.

PERFORMANCE STANDARD SERIES INTERLINK/PHONOLINK

Designed specifically for transmitting low level audio signals, Interlink sets a new standard of performance and value in interconnect cables — for turntables, pre-amplifiers, tuners and tape decks. (And video equipment as well.)

Interlink features a special ULTRA LITZ conductor — over 100 separately insulated strands of high purity copper. This inner core allows the most accurate signal transfer without high frequency loss.

Monster Cable has also developed and produced the perfect termination for Interlink cable — Phonolink, a precision gold-plated RCA-type plug.



Phonolink features a split centre shaft for increased contact pressure and materials that reduce interference with the audio signal to an absolute minimum.

Sonically, Interlink/Phonolink combine to maximise your sound system's performance for increased clarity, greater dynamic range, lower distortion and reduced hum and RF interference.

Interlink/Phonolink is available in pre-packaged 1 metre pairs or can be cut and terminated to the exact length you require by your Performance Standard Series dealer.

POWERLINE

Powerline is a four conductor, controlled impedance speaker cable that has been designed as the ultimate link in the amplifier-speaker interface.

Based on the high purity, fine copper stranding construction of Monster Cable, Powerline utilizes two conductors for each polarity. This results in extremely low resistance and a greater surface area of conductivity for maximum power transfer at all frequencies.

Sonically, Powerline brings you one step closer to the musical event. Startling clarity in the highs, tight well-articulated bass, dynamic impact and the precise localisation of instruments within the sound stage enhance your aural experience.

Powerline is available in custom cut and terminated lengths from your local stockist. He'll also be able to demonstrate the advantages provided by this new technology, which make Powerline a lifetime investment in your listening pleasure.

AND WHATEVER THE CONNECTION . . . MONSTER CABLE CAN MAKE IT

Gold Pin. The smallest and perhaps the most universal of our amplifier- to-speaker connectors.

Gold Spades. Beautiful construction with hard gold surfaces to make the ideal connection with many of today's amplifiers and speakers.

Gold Banana. An elegantly simple connector, using a crimp-on design with multiple fingers, that can significantly reduce contact distortion.

X-Terminator. An expanding solid shaft tip provides both greater contact area and high contact pressure — the ultimate banana-type connector

Cramolin. Oxidation and contamination, which attack every connection point in an audio system, can now be corrected and prevented.

Cramolin Red solution removes distortion-producing oxides and corrosions, while Cramolin Blue solution preserves and protects cleaned contacts from any further deterioration.

The Monster Cable interconnect systems and accessories are available at all leading hi-fi stores. Happy listening from all of us at Monster Cable.



Get all the sound you paid for...

MONSTER CABLE

Distributed by Convoy Sydney (02) 698 7300

RG/C1594

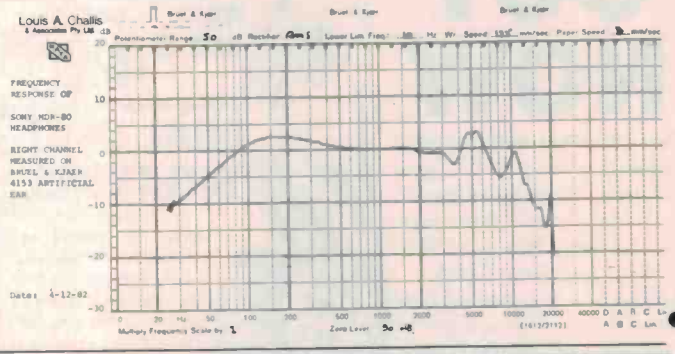
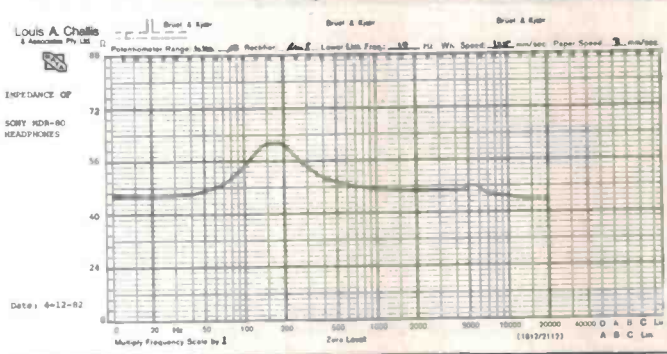
Absolute copyright in this review and accompanying measurements is owned by Electronics Today International. Under no circumstances may any review or part thereof be reprinted or incorporated in any reprint or used in any advertising or promotion without the express written agreement of the Managing Editor.

SOUND REVIEW



MEASURED PERFORMANCE OF SONY MDR-80T

WEIGHT	(Phones & 100mm cord)	63 G
CLAMPING FORCE		2.39 Newtons
FREQUENCY RESPONSE:		
(Typical)		see graph
SENSITIVITY		
(for 90dB SPL @ 1kHz)		60 mV (76 µW)
INPUT IMPEDANCE †		
	100 Hz	59 ohms
	1kHz	67.2 ohms
	6.3kHz	66.8 ohms
TOTAL HARMONIC DISTORTION †		
		90dB 120dB
	100 Hz	0.6%
	1kHz	0.07%
	6.3kHz	0.07%
REDUCTION OF EXTERNAL NOISE †		
	100 Hz	0 dB
	1kHz	0 dB
	6.3kHz	14.3 dB



SUBSCRIPTIONS BACK ISSUES BINDERS PHOTOCOPIES BINDERS

ORDER FORM

I enclose \$..... for (tick appropriate box/es). All prices include postage.
 Send orders to: ETI, Federal Publishing, 140 Joynton Ave, Waterloo NSW 2017.

- Subscriptions** \$25.75 per year within Australia \$.....
 \$39.00 overseas (surface mail) \$.....
 Airmail rates on application
- Back issues** \$2.50, available from November 1978.
- or photocopies** \$2.50 per article per issue
- Project No. Month Year \$.....
- Project No. Month Year \$.....
- Project No. Month Year \$.....
- Project No. Month Year \$.....
- Please attach a list if more than four required.
- Binders** No. @ \$6.10 in NSW \$.....
- No. @ \$7.50 in other states \$.....

NAME (Please print)

.....

ADDRESS

.....

.....

.....

.....

Please debit my Bankcard
 American Express Card

Name
 Number
 Expiry Date
 Signature

YOUR COPY'S MISSING?

DICK SMITH CATALOGUE

83/84 OUT NOW

The new Dick Smith 1983 Catalogue is out. Did you find your copy in the issue? No? Alas, alack. How can you possibly last out 1983 without you Dick Smith catalogue – the data section alone is worth its weight in microprocessors. Duck into Dick's nearest store now for your copy. At 95¢ it's the years biggest bargain!

Some of the advertised lines have only limited stocks. **HURRY** while stocks last!



DICK SMITH

SUPERB LITTLE MATRIX PRINTER

We've broken the \$400 barrier for a computer printer! A sprocket feed dot-matrix printer uses ordinary fan-fold paper (up to 204mm wide). Great for high resolution graphics. At this incredible price can you afford to miss out? Cat. X-3252

WAS \$495 ONLY \$349

LIMITED STOCK!

SAVE OVER \$140



SAVE OVER \$18

AMAZING HANDHELD Printer Calculator

A Printer/Calculator that you can hold in the palm of your hand! This attractive calculator has a ten digit liquid crystal display as well as percentage, square root, Tab (floating decimal point) key, print function etc. Outstanding value! Cat. O-3020

WAS \$67 ONLY \$49.95



SAVE OVER \$13

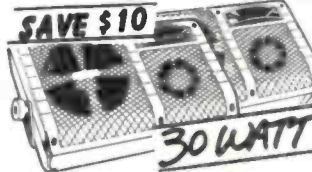
DUAL CONE SPEAKERS

A pair of high quality dual cone speakers with extended frequency response. The most popular speaker on the market & these Dick Smith units are equal to the big names! They have 280 gram magnet and are rated at 4 ohms. Complete with superb metal mesh grille and all the hardware required to mount them, including mounting template. Cat. A-7080

ONLY \$19.95 pr. WAS \$32.50



3 Way Hi Fi Speakers for Cars



Get the same performance in your car as you'd expect at home! 3 way, wedge type (ideal for rear parcel shelf). Complete with brackets for vertical or roof mounting if you wish. Cat. A-7082

WAS \$89.50 ONLY \$79.50 pr.

Give your Computer a voice! **VOTRAX Synthesizer**



WAS \$549 ONLY \$449

Yes! Your computer can actually talk. Not only talk, but in clear intelligible English. It connects to any computer's RS-232 port. The unique Votrax Type'n Talk opens up a whole new world of computing – it comes complete with a detailed User manual & power supply. All you add is a speaker. Cat. X-3290

FRED SOUND SYNTHESIZER



Give your System 80 the ability to produce music with this sound synthesizer. It plugs directly into the expansion connector with the audio output connecting directly into the AUX, TAPE or TUNER facilities of most Hi Fi amplifiers.

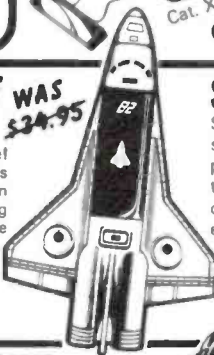
SAVE OVER \$30

ONLY \$129 WAS \$172

SPACE SHUTTLE GAME

It even looks like the space shuttle! This is one that will keep the kids (and you) amused for hours. When they're not busy playing the exciting shuttle game they can pretend they're the Shuttle pilot! Cat. Y-1145

ONLY \$29.95 WAS \$34.95



SONIC INVADERS

Sonic Invaders is here! Looks like something out of Star Wars and it even plays the famous Star Wars tune every time you turn it on! Features multi-coloured display with realistic sound effects – look out Darth Vader! Cat. Y-1153

WAS \$49 ONLY \$39



SAVE \$10



NORMALLY \$20 to \$25 EA!

ONLY \$15.95

RECORD YOUR FAVOURITE MOVIES VIDEO TAPE VHS 180

The greatest value you'll find! Top quality, famous RCA brand video cassettes at a give-away price. 3 hours length. Hurry – stocks strictly limited. Limit 10 tapes per customer. Cat. C-3410



SAVE \$43

MIDLAND 100M 8 CHANNEL

Marine Transceiver

NOW ONLY \$99

BOAT RADIO SPECIAL PRICE

WAS \$142

WAREHOUSE CLEARANCE

Gold Detector

Actually sorts Trash from Treasure!

This superb Metal Detector is so easy to use and yet it features advanced microprocessor technology. No digging up beer can, this detector discriminates between Trash & treasure. Ideal for throwing in the car when you go away

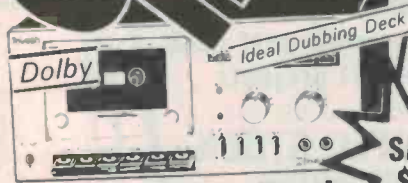


Cat. Y-1066

WAS \$149
NOW ONLY \$99



WAS \$115
ONLY \$99



Triumph Metal Cassette Deck

This baby Metal Cassette Deck has all the features of the 'Big ones', but at such a low price! It looks good and sounds great. Has all the features of those bigger more expensive units: Dolby Noise Reduction, Metal Chrome and normal tape selection, Auto stop, LED VU meters, soft eject and MUCH MUCH MORE!
Cat. A-3503



HITACHI TAPE TUMBLES!

Famous name Hitachi C90 low noise at a low low price!



LIMITED STOCK!
ONLY \$2.50

Cat. C-3065

CASSETTE LIBRARY

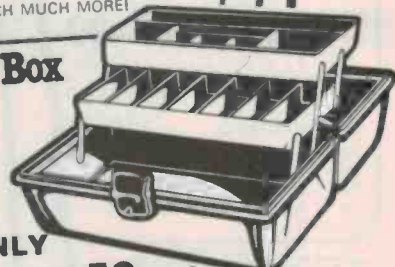


WAS \$6.50
ONLY \$4.95

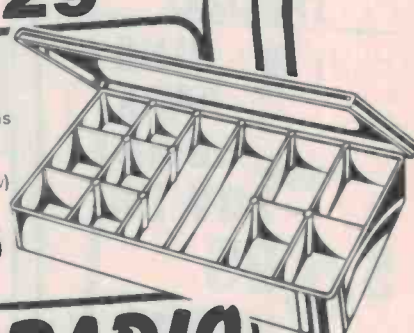
Cassette storage problems? Her's a way to neatly stack you cassettes. Each unit can interlock with another. Also comes with self tapping screws. There's 6 holders in each box & each one holds 5 cassettes—that's 30 cassettes! Cat. C-3800

Delux Tool/Work Box

Don't leave those tools scattered everywhere! Throw them all into this rugged tool box. Ideal also for fishing • tradesmen • technicians • artists etc etc. Lid has a carry handle fitted, and the box can be padlocked for security. Overall size (closed) 430 x 230 x 200mm. WAS \$32.80
Cat. H-2600



ONLY \$29.50



3 WAY LANTERN

The ideal lamp for campers, on the boat, even when the car breaks down! Features: Fluorescent lamp, plus flasher and flash light.



WAS \$14.95
SAVE OVER \$5.00
ONLY \$9.50

Cat. Y-1084

TECHNOLOGICAL BREAKTHROUGH AMAZING DIGILOG



Yes! Two watches in one: a superbly styled case contains a very accurate digital watch PLUS an analog type—with no moving parts! The 'face' & 'hands' are actually made up of LCD displays! Includes countdown timer, alarm & stopwatch. Cat. Y-1045

WAS \$49.50
ONLY \$32.50

DIGITAL DIALLING & MUSIC PHONE

It's a bargain!

Looks great and has heaps of features: Ringer ON/OFF switch • Stylish push button keyboard • 20 digit redial capacity per number • unlimited digital dialling capacity • access pause for PABX systems



ONLY \$39.95

Telecom Permit No. CR2/30/88

OVER 1500 SOLD

Cat. Y-1186

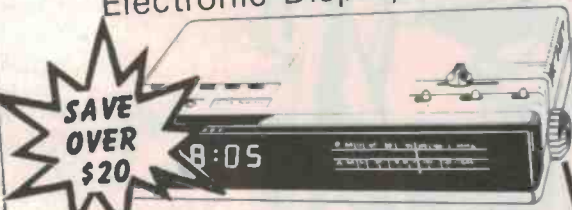
UTILITY BOX

Small heavy duty box with compartments for small items such as screws, resistors, capacitors etc. Dimensions: 218(L) x 110(W) x 33(H)mm. Cat H-2590

WAS \$3.95
ONLY \$2.95

CLOCK RADIO

Electronic Display



SAVE OVER \$20

Wake up to the sound of your favourite radio station—with the thought that you've saved \$\$\$\$ too! Features AM & superb FM radio plus an alarm buzz (if you need it) as well as a sleep timer! So don't miss this incredible bargain. Cat. A-4444

LIMITED STOCK!
WAS \$47.50
ONLY \$25.50

See page 98 for full address details

WAS \$89.50
ONLY \$39



SAVE OVER \$10

DSE/A466/JW INC IN NSW

DICK SMITH Electronics



BARGAIN PCB PACK

10 ASSORTED

MAIL ORDER ONLY

~~\$25~~ WORTH OF PCB'S for
\$3.00 From past EA & ETI projects

Instructions included
LIMITED STOCK
BE QUICK!

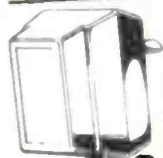
Cat. H-8210

LESS THAN COST

STORE SPECIAL
PCB's For **\$1.00**
WITH INSTRUCTIONS
FROM THESE **LIMITED STOCK**
PROJECTS

- | | |
|-------------------|--------------------|
| Speed Sentry | LCD Timer |
| Light Chaser | Low Fuel Indicator |
| Dual Trace Switch | Hot Canary |
| Stereo Booster | Car Alarm Mk1 |
| Metal Detector | |

MAIL ORDER SPECIAL!



PLUG PACK
50mA
20V DC

Cat. M-9551

\$4.95

BELOW COST

Great savings on the CRAIG LANGUAGE TRANSLATOR

WERE SELLING FOR \$250!

We've made a huge scoop purchase of these units at way below the manufacturers cost! Translates any language into English or the reverse! Great for overseas travellers, students, politicians etc.

Cat. Y-1340



Great range of modules available

- | | | |
|------------------|----------|---------|
| Japanese | (Y-1342) | \$19.50 |
| German | (Y-1343) | \$19.50 |
| Italian | (Y-1344) | \$19.50 |
| Spanish | (Y-1348) | \$19.50 |
| Phonetics | (Y-1347) | \$9.50 |
| Bar & Wine Guide | (Y-1345) | \$10.00 |
| Calorie Counter | (Y-1346) | \$9.50 |

Buy a Craig & get the Bar & Wine Guide (Y-1345) & Calorie Counter (Y-1346) FREE!
WORTH \$19.50

NOW ONLY \$89.50

WAS ~~\$36.50~~ ETI METAL DETECTOR

Build one & you could find a fortune!

WOW! An induction balance metal detector at an amazing price!

From Electronics Today International, this detector is the equivalent of many induction balance detectors in the hundreds-of-dollars bracket! All components are supplied including the meter, the box, coil wire etc, but the coil former and dowel for the shaft are left up to you (you've probably got something in the garage you could use!) Are you ready to go out & find a fortune? You could with this beauty! Cat. K-3100



SAVE \$7.00

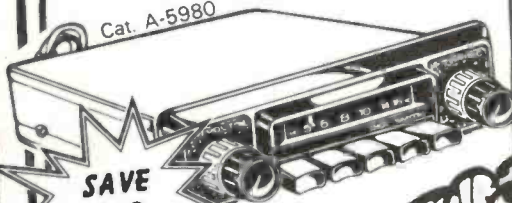
ONLY \$29.50

Quality AM Car Radio

Live in a non-FM area? Why waste your money on an FM car radio? But don't be caught with an 'el cheapo' car radio either - you could be sorry. This one is great quality, easy to fit & suits all negative earth cars.

WAS ~~\$52~~ NOW ONLY **\$39**

Cat. A-5980



SAVE \$13

High Impedance multimeter 10 MEG FET INPUT

For the professional who wants the lowest circuit loading... you want the highest input impedance. The FET input multimeter gives you a huge 10M input impedance on DC voltage, and a highly respectable 1M on AC voltage. Batteries, test leads and instructions supplied. Cat. Q-1200



WAS ~~\$78.00~~ NOW ONLY **\$59**

SAVE \$13.00

STEREO AM/FM CLOCK RADIO

SAVE \$10

WAS ~~\$59.95~~

ONLY \$49.95

The very latest in clock radios - it's stereo! No longer will you have to put up with the 'tinny' sound that most mono AM/FM radios give you: now you can wake up to brilliant tone stereo music! It features a superb modern styling with a huge LED display. It also has another unique feature: a 'time set' lock underneath the radio, so the kids can't change your time setting. Cat. A-4445



Battery back-up for power failure

HOT CANARY

This great gimmick kit will keep any child, or adult amused for hours! An electrical bird noise maker that sounds just like a real bird singing! Cat. K-3395

WAS ~~\$15.50~~ NOW ONLY **\$7.95**

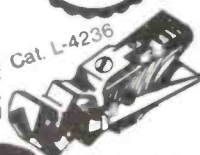


SAVE OVER \$7.00

TV Antenna Clip

Strong plated springs with screw terminals and coloured plastic handles. A quicker way to connect or disconnect the antenna lead-in cable to the TV set, FM or radios, etc. Ideal when using portable sets.

Cat. L-4236



ONLY **60c**

POT PACKS

75 POTS for **\$9.95**

Cat. R-7102

Selection includes mixed values: Dual Gang, Single Gang & Switch Pots!

UNBELIEVABLE VALUE AT TODAY'S PRICES!



Portable stereo Cassette

This fantastic go anywhere miniature cassette player is ideal for skiers, walkers, office workers etc. Takes a full size cassette. Supplied with carry strap plus 1 set of light weight headphones with provision for one other.

INCLUDES HEADPHONES

WAS \$99
ONLY \$49⁵⁰

LIMITED STOCK



SAVE \$30

Stereo Booster Amp

WAS 29.50
ONLY \$24⁵⁰

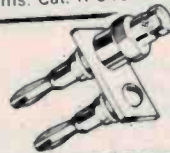


This easy to build kit can economically upgrade the power of your car's stereo system to 12.5W RMS per channel. Based on a rugged IC amp module and works with all negative earth systems. Cat. K-3493

Handy BNC Adaptor

Adapt your input terminals on the Dick Smith Laboratory Oscilloscope from 'banana' socket to BNC type. Cat. Q-1281

ONLY \$6⁹⁵



WORLD MAP/TIME WATCH WITH ALARM

Now you can tell the time anywhere in the world! Shows time in 20 different time zones and actually has an LCD diagram of the world! Even has a dual melody alarm! Cat. Y-1051

WAS \$84.95

ONLY \$44⁵⁰

SAVE OVER \$20

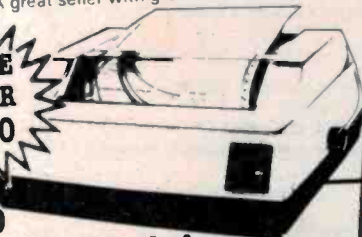


ITOH 8300P DOT MATRIX PRINTER

The Itoh 8300P features high speed, bi-directional printing (125 characters per second) with full upper & lower case character set. It accepts standard fan-fold sprocketed paper up to 240mm wide. This means you can do 80, 40 or 132 column printing. Fitted with standard centronics type parallel port. A great seller with great features. Cat. X-3255

WAS \$920
NOW ONLY \$699

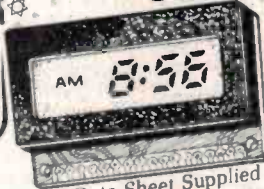
SAVE OVER \$200



LCD Build-in Module

The experimenter's special! Accurate quartz LCD Module ideal for building into projects. Not just a clock - also a time & controller.

WAS \$19.50
NOW ONLY \$9⁹⁵ SAVE OVER \$9.00



Full Data Sheet Supplied
Cat. Y-1050

UNDER 1/2 PRICE

WAS \$34.95
NOW \$12⁹⁵

Digital LED Alarm Clock/Thermometer Module

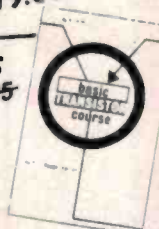
Famous NATIONAL SEMICONDUCTOR Brand Module features huge bright red digital display, 6 display modes, time & temperature display (both C & F), alarm & control for clock, radio, etc. 12 or 24 hour operation. A full featured movement for use in thermometer, alarm clock, clock radio, instrument panel clock and appliance timer applications. Complete National data sheet included. Cat. Y-1C53

AMAZING VALUE

Basic Transistor Course

Do you understand how the transistor works? If not, this book will explain it all - how it works and how it works with other components - resistors, capacitors, coils etc. Cat. B-1567

WAS \$9.95
ONLY \$6⁹⁵



Display Electronics

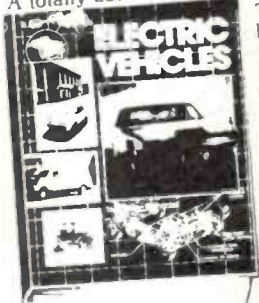
Designed to introduce the hobbyist to the world of opto-electronics. Learn how injection laser diodes, liquid crystal displays, electro-luminescent displays & charge coupled devices used for image sensing in solid state TV cameras work. Special projects include a modern version of the one-armed bandit, electronic dice, games to test reaction time, and a micro-computer with binary & octal readouts. Cat. B-1844

WAS \$7.50
NOW ONLY \$4⁹⁵



The Complete Book of Electric Vehicles

A totally absorbing book!



The most complete & fact filled book available today, describing in detail commercially built electric cars, trucks, cycles, trains and buses. The information supplied is supported with photographs & a history of each vehicle. Speed data, home built vehicles, state-of-the-art & what the future holds are all covered. Cat. B-2400

ONLY \$9⁹⁵

DICK SMITH Electronics



INC IN NSW

NSW Auburn 648 0558 • Bankstown Sq. 707 4888 • Blakehurst 546 7744 • Bondi Jct. 387 1444 • Broadway 211 3777 • Brookvale 93 0441 • Chullora 642 8922 • Gore Hill 439 5311 • Gosford 25 0235 • Liverpool 600 9888 • North Ryde 88 3855 • Parramatta 689 2188 • Sydney (Bridge St) 27 5051 • Sydney (York St) 290 3377 • Tamworth 66 1961 • Tighes Hill 61 1896 • Wollongong 28 3800 ACT Fyshwick 80 4944 VIC Coburg 383 4455 • Frankston 783 9144 • Geelong 78 6766 • Melbourne 67 9834 • Richmond 428 1614 QLD Brisbane 229 9377 • Buranda 391 6233 • Chermiside 59 6255 Townsville 72 5722 Toowoomba 38 • 4300SA Adelaide 212 1962 • Darlington 298 8977 • Enfield 260 6088 WA Perth (William St) 328 6944 • Perth (Hay Street) 321 4357 Cannington 451 8666 TAS Hobart 31 0800

Prices correct and stock available at press time

DSE/A466/JW

WAREHOUSE CLEARANCE

LIMITED STORE STOCK
PLEASE PHONE BEFORE MAKING
A SPECIAL TRIP

index 1982

AUDIO

	Date	Page
Audio amplifiers using nested differentiating feedback loops Part 1 (E.M. Cherry)	Oct	108
Audio amplifiers using nested differentiating feedback loops Part 2 (E.M. Cherry)	Nov	122
Dbx dynamic range expansion system (B. Dance)	Jun	134
Dolby C — new weapon in the war against tape noise (W. Fisher)	Jan	112
Modern tape recorder technology Part 1 (B. Dance)	Apr	114
Modern tape recorder technology Part 2 (B. Dance)	May	125
Nakamichi's computing turntable	Mar	124
Setting up an outdoor PA system (G. Nicholls)	Aug	131
Stereo TV sound proposed by US and Japan (B. Dance)	Jun	127

CIRCUIT FILE

	Date	Page
Clock or square wave generators (R. Marston)	May	40
More clock generators (R. Marston)	Jul	24
Power supplies and voltage regulators (R. Marston)	Apr	18
Using the 4007UB 'FETset' IC (R. Marston)	Dec	24
Voltage and window comparators (R. Marston)	Nov	48

COMPUTING

	Date	Page
Alternative pocket computer printer (T. Moffat)	Jun	98
Apple graphics guide (M. James)	Jun	103
Beating the RS232 Blues (G. Wideman)	Aug	84
Casio's FX-702P pocket computer reviewed (T. Moffat)	Mar	84
D2 kit EPROM burner (D. Craig)	Sep	110
Direct copy addition for the Sorcerer/MX80 printer combo (D. Thomasson)	Feb	86
Disks, CP/M and your computer (G. Wideman)	Apr	76
Epson MX80 printer — a review (M. Olsson)	Jan	101
Games for the Apple II — review (P. Cohen)	Oct	67
Get there faster — with Speedy BASIC (M. Banthorpe)	Jan	94
Graphic details (Commodore, PET, TRS-80 Model 1)	Feb	101
Graphics guide to the System 80 and TRS-80 (T. Edwards)	Jul	96
Hard copy from your Sinclair (P. Freeby)	Jun	121
Hints for Chip-8 programmers Part 1	Dec	110
How to score — '660 programming (P. Cohen)	Apr	82
How to store more data on cassettes (I. Sinclair)	Feb	108
Improved text display for video monitors (G. Wideman)	May	86
Interfacing with the ETI-685 Part 1 (R. Koenig)	Jan	83
Interfacing with the ETI-685 Part 2 (R. Koenig)	Mar	92
Learning logic with the 'Fox and Hen' (M. Biddell)	Feb	111
Look at software for the TRS-80 colour computer (G. Wilson)	Mar	101
Mirror Systems 2000 computer	Nov	95
Modern follow-up No. 1 (G. Nicholls)	Dec	100
MPF-1 microprocessor — a review (J. Scott)	Oct	90
Music-making micros (D.S. Peckett)	Mar	77
Ohio and UK 101 graphic details (J. Parkes)	Jun	116
Pocket programmer's friend (T. Moffat)	Nov	102
'Prey' — Apple game (P. Cohen)	Sep	104
Programming the '660 in colour (P. Cohen)	Apr	88
Programs for the Turtle	Jul	86
Project 644: Direct-connect modem (T. Marshall)	Oct	18
RS232 serial interface troubleshooter (G. Wideman)	Sep	98
Refined Turtle (S. Thomas)	Sep	93
Reverse Polish Notation Part 1 (M. James)	Apr	97
Reverse Polish Notation Part 2 (M. James)	May	105
Sinclair's little beauty — the ZX81 (P. Cohen)	Feb	91
Sorcerer graphics guide (T. Poole)	May	111
Sparkrite 'Voyager' car computer	Nov	25
This computer will do anything! (G. Wideman)	Jan	90
Touched by touch typing (J. Hutchinson)	Mar	88
Turtle interfacing fundamentals (A. Branch)	Aug	90
Two views of the MicroBee (E. Lindsay, T. Moffat)	Dec	94
'660 SOFTWARE		
Addition problems	Mar	96
Black jack	Nov	90
Block puzzle	Nov	92
Catch '660	Aug	101
Colour patternmaker	Jul	90
Dice	Sep	88
Greeblie catcher	Sep	88
How the 'Colour Patternmaker' works	Aug	102
How to score	Apr	82
Invaders	Feb	116
Mastermind	Jan	88
Meteor storm	Nov	92

	Date	Page
One-handed pong	Apr	100
Patternmaker	Feb	117
Sheet shoot	Nov	92
Space dogfight	Jun	110
Space Invaders MK III	Nov	92
Traditional space invaders	Oct	95
Video drawing	May	117
Wipeout '660 style	Oct	95
Word 60	Nov	91

ZX80/81 SOFTWARE

	Date	Page
'Catch' a version of Go	Jan	81
City in peril	Mar	109
Dodge	Dec	105
Learning logic with the 'Fox and Hen' (M. Biddell)	Feb	111
Program labels for ZX81 with printer	Dec	104
Rapid descent	Dec	105
Trigonometric Fourier synthesis program	Dec	104

CHIP 8 SOFTWARE

	Date	Page
Captions-to-screen movers	Dec	110
Cosmac life	Jul	95
Cosmac asteroids	Jun	92
Dialects and translation	Dec	110
Subroutine	Aug	108

ELECTRONIC TECHNIQUES

	Date	Page
Audio amplifiers using nested differentiating feedback loops Part 1 (E.M. Cherry)	Oct	108
Audio amplifiers using nested differentiating feedback loops Part 2 (E.M. Cherry)	Nov	122
Circuit source guide	Feb	16
Digital car alarm (I. Robertson)	Nov	17
Junction FET — its haunts and habits (B. Dance)	Mar	17
Light and power from dc supplies (R. Harrison)	Jun	30
Turtle robot — interface fundamentals (A. Branch)	Aug	90

GENERAL

	Date	Page
Australia telescope	Aug	20
Index 1981	Apr	106
Inertial navigation systems (C. Heath)	Sep	14
Satellite-to-home TV: Close?	Apr	109
Starlab telescope (J. Fairall)	May	14
Understanding component values (W. Fisher, R. Harrison)	Jan	27
Which battery to use? (P. Clark)	Dec	19

IDEAS FOR EXPERIMENTERS

	Date	Page
Auto-reverse for split-phase motors	Apr	50
Box your doodads	Jul	59
Capacitance multiplier	Mar	53
Cold start booster	Mar	53
Cunning light controller	Nov	60
Double density computer cassette storage	Feb	57
Dummy load for testing power amplifiers	Oct	43
Electronic pendulum	May	48
Electronic thermostat	Oct	43
Headlight delay	Feb	59
Idle cutout for car air conditioning	Jul	61
Inexpensive slave flash	Dec	73
LCD tachometer	Aug	64
Modifications to the S-100 VDU	Dec	73
Modifications to the sequencer for percussion synthesiser	Dec	73
Monostables	Mar	51
Notch filter	Mar	51
Pick the winner	Jun	77
Pinpoint light	Jan	57
Probe finger guards	Aug	64
Programmable wiper controller	Sep	54
RS232 beeper	Feb	57
Removing 'interface jitter' on the ETI-640	Jul	61
Resolving address contention in a microprocessor system	Jul	59
Sequential tone generator add-on for the ETI-598 touch switch	Feb	54
Simple circuit for printed circuit design	Mar	51
Simple drum synthesiser	Apr	53
Simple 'flash' type A/D converter	Dec	75
Simple LED bar/dot level meter	May	48
Software selectable reverse video for the Superboard or UK101	Dec	70
Square wave and pulse generator	Apr	50

	Date	Page
Sub-octave oscillator for ETI synthesiser	Jun	77
Symmetrical divide-by-three	Aug	67
Temperature control for microscope	May	51
Temperature probe for a DMM	Jun	79
Three-channel light chaser	Oct	47
Thumbwheel power supply	Sep	57
Traffic lights	Nov	56
Turntable speed controller	Jun	74
TV 'watchdog' alarm	Jan	61
Versatile alarm	Jan	57
Voltage divider	Dec	70
Winding metal detector coils	Jan	61

LAB NOTES

Electronic switching — using the 4066B (R. Marston)	Mar	45
Exclusive — OR gate (R. Marston)	Jun	38
Improved text display for VDUs (G. Wideman)	May	86
Super timer (B. Davis)	Oct	36
Using BiFET and BiMOS op-amps (B. Dance)	Aug	44
Zero-voltage switching with the CA3059 (R. Marston)	Jan	52

PRODUCT TESTS

Audiosound 'Motet' speaker system (L. Challis)	Jan	126
B & W DM12 mini-monitors (L. Challis)	May	140
Games for the Apple II — review (P. Cohen)	Oct	67
KEF 105 Loudspeakers (L. Challis)	Mar	138
Mirror Systems 2000 computer	Nov	95
NAD 6150C cassette deck (L. Challis)	May	134
Nakamichi High-Com II noise reduction system (L. Challis)	Sep	124
Nakamichi NR-200 noise reduction system (L. Challis)	Dec	126
Pagent Series II loudspeakers (L. Challis)	Feb	138
Pioneer A-8 amplifier (L. Challis)	Jun	142
Polk RTA-12B loudspeaker system (L. Challis)	Aug	138
Quad ESL-63 electrostatic loudspeakers (L. Challis)	Nov	114
Review of Casio's FX-702P pocket computer (R. Moffat)	Mar	84
Review of the Epson MX80 printer (M. Olsson)	Jan	101
Review of the MPF-1 microprocessor (J. Scott)	Oct	90
Sansui AU-D33 amplifier (L. Challis)	Jul	122
Sansui TU-S33 stereo tuner (L. Challis)	Apr	138
Sanyo RD-XMI microcassette deck (L. Challis)	Mar	132
Sinclair's little beauty — the ZX81 (P. Cohen)	Feb	91
Sony TC-FX6C cassette deck (L. Challis)	Jan	118
Sparkrite 'Voyager' car computer	Nov	25
Technics RS-M230 fully automated tape deck (L. Challis)	Apr	130
Tektronix CROs 2213/2215 reviewed (R. Harrison)	Jul	15
Telereader RTTY converter	Nov	69
Two views of the MicroBee (E. Lindsay, T. Moffat)	Dec	94
Unconventional Yamaha B6 (L. Challis)	Feb	126
Univolt DT-830 and DT-840 DMMs reviewed	May	22
Vector Research VCX-500 stereo cassette deck (L. Challis)	Dec	120
Vector Research VR-5000 FM AM receiver (L. Challis)	Oct	114

PROJECTS

145 'Prototyper' breadboard (G. Teesdale)	Jul	46
160 13.8 V/10 A power supply (R. Harrison, G. Nicholls)	Jul	38
161 LCD digital panel meter (D. Tilbrook)	Aug	55
162 30 V/1 A fully adjustable power supply (D. Tilbrook, R. Harrison)	Dec	63
165 Tacho calibrator (G. Teesdale)	Nov	42
259 Versatile, low cost incremental timer (G. Teesdale)	Jan	47
333 Reversing alarm for your car (R. Harrison, G. Teesdale)	Jan	41
459 Series 5000 one-third octave graphic equaliser (D. Tilbrook)	Nov	31
461 Balanced input differential preamp (D. Tilbrook)	Dec	47
469 Percussion synthesiser (R. Marston, G. Nicholls)	Apr	41
469B Sequencer for percussion synthesiser (R. Marston, G. Nicholls)	Jun	67
479 Bridging adaptor converts Series 5000 power amp into 300 W mono amplifier (G. Nicholls, D. Tilbrook)	Mar	32
492 Tremolo to See-Threepio, Darth Vader to Daleks — all from our Sound Bender (R. Marston, R. Harrison)	Feb	37
494 Signal powered loudspeaker protector (D. Tilbrook)	Oct	29
498 Versatile public address amplifier (G. Nicholls)	Jun	54
499 General purpose 150 W MOSFET power amp module (D. Tilbrook, G. Nicholls)	Mar	24
570 Infrared 'trip' relay (P. Wait, W. Fisher)	Jan	32
607F Propellor aircraft sound effect unit (R. Harrison)	Mar	42
644 Direct-connect modem (T. Marshall)	Oct	18
645 Tasman Turtle robot Part 1 (A. Branch)	Apr	29
645 Tasman Turtle robot Part 2 (A. Branch)	May	24
645 Tasman Turtle robot Part 3 (A. Branch)	Jun	42

	Date	Page
646 Turtle hand controller (A. Branch)	Jul	85
647 Versatile speech synthesiser Part 1 (A. Branch)	Sep	81
647 Versatile speech synthesiser Part 2 (A. Branch)	Oct	81
652 Atari-type joystick interface for the System 80 (G. Nicholls)	Aug	96
653 16-channel computer output driver (G. Nicholls)	Nov	84
670 Low-cost ASCII keyboard (R. Koenig)	May	99
686 PPI-based EPROM programmer (R. Koenig)	Oct	72
723 'Selectacall' add-on for ham/CB transceivers (J. Scott)	Feb	44
918 'Photophone' light beam transceiver (P. Wait, W. Fisher)	Sep	25
1505 Fluorescent light inverter (D. Tilbrook)	Aug	34
1506 Xenon flasher for pushbikes (J. Scott)	Jul	32
1508 Model train controller (J. Scott)	Dec	35
1509 Universal dc-dc inverter (D. Tilbrook, R. Harrison)	Sep	34

SCIENCE

Australia telescope	Aug	20
Electrons are waves?	Mar	9
How to make things move very fast (M. Kreisler)	Jun	82
Saturn up close (B. Dance)	Jan	18
Starlab (J. Falrall)	May	14

SHORT CIRCUITS

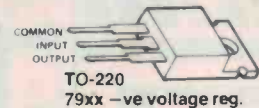
Auto start and anti-space for the ETI-730 RTTY decoder (R. Youie)	Jan	64
Centre zero LED bar/dot meter (D. Dawes)	Jun	84
Exposure analyser for black and white prints (P. Cox)	Sep	46
Simple UHF antenna (G. Pearson)	May	68
Sweep generator (B. Ward)	Feb	52
Symmetric multivibrator using two inverting gates (T. Trancong)	Mar	40

NOTES AND ERRATA 1982

January '82, Short Circuits, Autostart & etc for ETI-730 RTTY Decoder: the author, Ralph Youie, writes "I draw your attention to an error indicated to me by Ken, VK3ALC, on page 64 of January 1982 ETI. All references to Q1 in the article should refer to Q2, BF338, as there is no way that the circuit will work as shown. If there are difficulties in obtaining the correct waveform at the output of IC7, it may be necessary to change the 56k resistors to 68k, and the 8k2 resistor to 10k. Also note that pin 1 and pin 16 of the CMOS hex inverter should go to +12 V and pin 8 to 0 V."

February '82, Ideas for Experimenters: On the bottom of page 57 the 'Double Density Computer Cassette Storage' idea will only work with decks that have a split erase head. Otherwise, when recording on one track, any recording on the other track will be erased.

April '82, Circuit File: Power supplies and voltage regulators, page 20. The pinout of the TO-220 79xx voltage regulator shows the common and output reversed. The correct pinout is shown here.



May '82, Video Drawing p.117: This program has the last four lines missing! Following 06A4 (00 EE), enter:

```
81 04
82 74
16 32
00 00
```

In addition, addresses 0664 to 0672 contain a data file and do not call subroutines, as the disassembled listing indicates.

August '82, Beating the RS232 Blues: Figure 3 on page 85 shows the STOP and PARITY bits transposed. The parity bit comes before the stop bit. The associated text is correct.

September '82, Inertial Navigation Systems: Pages 16-17 have been transposed with pages 18-19. From page 14, the article reads on to page 18, from page 19 it reads on to page 16, from page 17 it reads on to page 20.

October '82, Ideas for Experimenters, Three-Channel Light Chaser: Colin Burns of Mawson ACT wrote in to advise us of an error in this circuit. Both flip-flops should be cleared (reset) when their Q outputs (B and C) are high simultaneously. This is to produce a high output (A) from the NOR gate IC3a. The modification required to achieve this is shown below.

Only when both Q outputs are low will the flip-flops be cleared. This arrangement also uses one less NOR gate.



October '82, Traditional Space Invaders, p.95: There is an error in this program at address 06C0. Instead of 4501, this should read 4F01. Thanks to Peter Easdown for the correction.

November '82 Audio Amplifiers Using Nested Differentiating Feedback Loops, Part 2: Equation (10) on the bottom of page 123 is missing the 'tau'. It should read $\tau_F = \mu_1 \beta \tau_x$. In Figure 11, the pictures for (a) and (c) have been swapped inadvertently.

Project 162, Bench Supply, December '82: Capacitor C4 was omitted from the Parts List, but appears on the circuit (150n greencap). Resistors R8 and R9 were transposed on the overlay, but as they're in parallel, it doesn't matter a whit.

Project 459, Series 5000 Graphic Equaliser, November '82: In the circuit diagram on page 32, power supply section, diodes D2 and D3 are shown back to front. The pc board overlay is correct. In the parts list, R5 and R6 are shown as 15k, but 10k on the circuit, 10k is the correct value, though not critical.

Project 469, Percussion synthesiser, April '82: Diodes D1 to D6 were omitted from the Parts List on page 43. They are all 1N914s or 1N4148s.

Project 499, Mosfet amp, March '82: Some people have had trouble with the output offset voltage adjustment, being unable to reduce it to 10 mV or less. This can be fixed by changing R2 from 100k to 33k. The input high-pass pole only rises to just under 20 Hz, which is OK.

Project 644, Direct-connect modem, October '82: Note that R93 should be rated at 1 W or 1.6 W (e.g. Philips PR37 resistor). Capacitor C5 (in reference channel flip-flop, IC5) can be reduced to 680p to provide a better variation range for RV1 ('adjust output symmetry pot'). Also note that C18 connects to pin 3 of IC12a on the pc board, not pin 2 as shown in the circuit. R48 goes to 0 V, not -6 V.

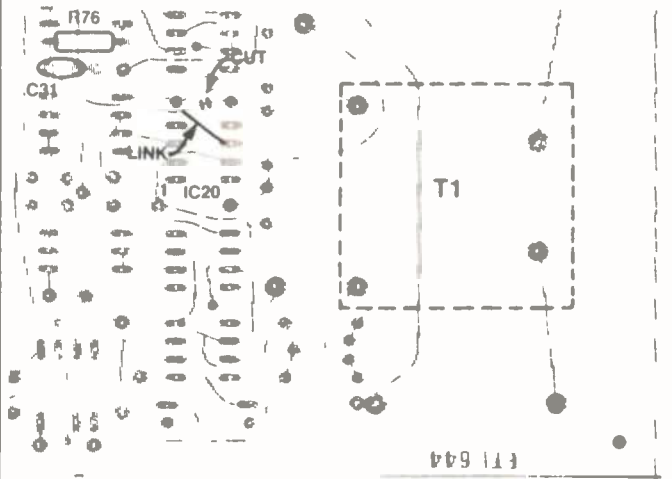
In the Parts List, transistors Q4, 6, 8 & 10 were cut off — they are all BC549s. C4 is shown as 1n, but 1n2 on the circuit — it can be either. C19 should be a 2n2 and C21 a 330p. R48 should be 6k8, not 68k. Resistors R53 to R64 are given as 10k in the Parts List and 47k on the circuit. Either is correct. Note that the programming diodes were not mentioned in the Parts List. A total of 85 are required.

Experience has shown there can be wide variation in the characteristics of the 4528B, IC4. At the extreme, it is found that RV1 (ADJUST OUTPUT SYMMETRY pot) does not have enough range. There are two cures for this: Capacitor C5 can be reduced to 680p or you can swap R2 and R16.

If 75 baud operation proves 'touchy' increase the value of C18 to 220n or greater.

There are two discrepancies between the circuit diagram and the pc board. Trevor Marshall advised a number of modifications at a late date which were made on the pc board but the circuit has not been corrected in two places. Firstly, C18 goes to pin 3 of IC12a, not pin 2 as shown on the circuit diagram. Secondly, the junction of C31 and R76 goes to the junction of D14 and D4, not to pin 6 of IC20.

Experience indicates an improvement in performance under weak signal conditions can be obtained by making the pc board conform to the circuit here (output of IC20). This requires simply cutting one track and adding a link as shown in the accompanying diagram.



Project 686, PPI-based EPROM programmer, October '82: In the power supply circuit at the bottom of page 72 the A-E-N on the 240 Vac input should be A-N-E. Q1 is missing from the Parts List. It is a BC547.

Project 723, 'Selectacall' for ham/CB transceivers, February '82, Page 44: For some totally unfathomable reason, the introduction to this project does not actually refer to this project but to commercial 'selcall' systems. Ggaahh! The last two lines of the intro should read: "... then this simple accessory allows you to turn down the volume, notifying you when that 'certain party' calls — no tones or funny noises required".

minitool

WORKSHOP KIT
000.62.90X - Carry case, Power supply, Pistol drill, Drill stand, Orbital sander, Jigsaw, flexible Shaft unit, spare Blades, Table clamp, Platform table. R.R.P.
\$187.50

WORKSHOP KIT
000.62.90Y - Same as above but not including flexible Shaft unit. R.R.P.
\$149.50

- 1. JIG SAW** 18mm CUT 1,500 S/MIN. 000.62.108 Platform Table inc in Kit. Extra as individual item. **\$37.00**
- 2. PISTOL DRILL** 000.62.402 7,000 R.P.M. 8mm Blamotor **\$37.00**
- 3. FLEXIBLE SHAFT & GRIND STICK** 000.62.804 7,000 R.P.M. **\$45.00**
- 5. DRILL STAND** 000.62.493 Accepts Pistol Drill & Angle Grinder **\$45.00**
- POWER SUPPLY** 240V **\$15.00** + TAX \$2.62 Plug-Pak 12V output 1A

ANGLE GRINDER* 000.63.605 7,000 R.P.M. **\$45.00**

46mm Diameter

Circ. Sawblades for Wood & Metal available.

Not included in kit

CIGAR LIGHTER ADAPTOR AVAILABLE: 000-62-073

Send Self Addressed Envelope for full price and accessory list. Accessories include: punch, cutters, bader, burn brushes, stones, etc.

minitool
AUSTRALIA PTY. LTD.

134A AYR STREET, DONCASTER, VIC. 3108 Tel. 850 9887

NAME

ADDRESS

BANKCARD NO OR CHEQUE

EXPIRY DATE

VALUE

SIGNED

Add Postage \$2.00 single item \$4.00 for kit

FOR ACCURACY & PRECISION

TOYO MINI-LATHE

\$436.00
*Sales Tax if applicable

- ACCURACY EQUAL TO LARGER MACHINE TOOLS.**
- FEATURES:**
- TOYO MINI-LATHE made of high quality materials used in the construction of standard large machine tools
 - TOYO MINI-LATHE will give you unparalleled precision and solidity
 - Although TOYO MINI-LATHE is not multi-purpose lathe it has all the functions of sophisticated large type lathe
 - Its machining capacity is the largest in the table top class. With maximum working diameter 100mm length 250mm
 - Numerous and well designed accessories are available

minitool
Gravilo

Self contained hand engraver
18000 R.P.M 12V DC

Engraving points for glass, metal, ceramic & plastics available also patterns.

\$29

TOYO MINI DRILL

The ultimate for P.C.B. drilling.

\$165.00
*Sales Tax if applicable

MD-1 — 6 SPEED
850 — 3100 R.P.M.

MD-1H — 2 SPEED
8000 — 12000 R.P.M.

OOPS! More books!

mail order coupon on page 136

CHEAP VIDEO CODKBOOK
21524P \$11.75

Complete discussion of a new, low-cost way to get words, pictures and opcode out of your computer and onto any ordinary TV screen, using a seven-IC easy-to-build circuit which you can build for less than \$20.

AN INTRODUCTION TO VIDEO
BP100 \$6.56

This book is written in layman's language and is for anyone who is thinking about buying or renting or who has just bought or rented a video recorder and wants to get the best out of the machine.

MOBILE DISCO HANDBOOK
BP47 \$4.64

Most people who start mobile discos know little about equipment or what to buy. This book assumes no preliminary knowledge and gives enough info to enable you to have a reasonable understanding of disco gear.

ELECTRONIC MUSIC AND CREATIVE TAPE RECORDING
BP51 \$5.92

Shows how electronic music can be made at home with the simplest and most inexpensive of equipment. Describes how the sounds are generated and how these may be recorded to build up the final composition.

PRACTICAL CONSTRUCTION OF PREAMPS, TONE CONTROLS, FILTERS, ATTENUATORS
BP60 \$4.96

This book shows the enthusiast how to construct a variety of magnetic tape recording, microphone and disc preamplifiers, and also a number of tone control circuits, rumble and scratch filters, attenuators and pads.

ELECTRONIC SYNTHESISER PROJECTS
BP81 \$5.92

For the electronic music enthusiast, an invaluable reference. This book is full of circuits and information on how to build analogue delay lines, sequencers, VCOs, envelope shapers, etc. etc. The author takes a clear and logical approach to the subject that should enable the average enthusiast to understand and build up what appears to be a quite complex instrument.

AUDIO PROJECTS
BP90 \$6.56

Covers a wide range of audio projects including preamplifiers and mixers, power amplifiers, tone controls and matching etc. A number of board layouts and wiring diagrams are included.

ELECTRONIC MUSIC PROJECTS
BP74 \$5.92

Provides constructors with practical circuits for the less complex music equipment including fuzz box, waa-waa pedal, sustain unit, reverb and phaser, tremolo generator etc. Text covers guitar effects, general effects, sound generators, accessories.

SONICS 1982 YEARBOOK \$5.35

An interview with Kraftwerk, how to cope with recording, lighting, rock acoustics, guitars, equipment reviews and more.

SONICS MAGAZINE \$2.35 ea

The Australian music magazine dedicated to the art and craft of sound. Published April, July, October, Yearbook in December. \$15 for one year subscription. Please indicate starting issue.

computers for beginners

COBOL FOR BEGINNERS
39378P \$21.95

It is a solid text for introductory programming courses in Cobol, using a format that is easy to understand, yet comprehensive enough to make supplementary readings unnecessary.

THE PET PERSONAL COMPUTER FOR BEGINNERS
61827P \$20.95

This handy guide is written for use with all varieties of PET computer, from the original 2001 to the new 8032 Super PET. It is suited to novices with no practical experience and provides advice and practical examples.

BIG THINGS FROM LITTLE COMPUTERS
77859P \$19.25

A layperson's guide to personal computing with all the basic information and lots of examples of how personal computers can be used.

BEGINNER'S GUIDE TO DIGITAL ELECTRONICS
BP61 \$3.36

Covers all essential areas including number systems, codes, constructional and sequential logic, analogue/digital/analogue conversion.

BEGINNER'S GUIDE TO MICROPROCESSORS & COMPUTING
BP66 \$5.92

Introduction to basic theory and concepts of binary arithmetic, microprocessor operation and machine language programming. Only prior knowledge assumed is very basic arithmetic and an understanding of Indices.

A MICROPROCESSOR PRIMER
BP72 \$5.92

Learning about microprocessors is easy with this book, written in a style that is easy to follow. The shortcomings of this basic machine are discussed and the reader is shown how these are overcome by changes to the instruction set. Relative addressing, index registers follow as logical progressions.

AN INTRO TO BASIC PROGRAMMING TECHNIQUES
BP86 \$6.56

Ideal for beginners seeking to understand and program in BASIC. Book includes program library for biorhythms, graphing Y against X, standard deviations, regressions, generating musical note sequences, and a card game.

BEGINNING BASIC
39806A \$19.95

Intended for beginners with no computing experience, one should be able to intelligently program in BASIC in a short time.

BEGINNING FORTRAN
46011A \$19.95

Starts with simple elementary examples and proceeds to intermediate level programs. Also includes references, tutorials, flow charts, deck set-ups and matrix algebra.

UNDERSTANDING COMPUTERS
39815A \$17.95

This book describes how computers work. For people who use small computers, it starts with the most elementary gates and works up to the complete computer. Gives an understanding of languages and how they operate in the computer.

NAILING JELLY TO A TREE
39842A \$24.95

This guide to software teaches you about machine language, assembly language programming and BASIC. The emphasis is not on learning to write programs but on learning to use the thousands of available programs that have already been written.

PEANUT BUTTER AND JELLY GUIDE TO COMPUTERS
39813A \$14.95

A simple, easy-to-digest source of information on personal computing for the potential buyer who is less than an expert in the field.

INTRODUCTION TO WORD PROCESSING
88076A \$17.95

Written for the non-technical reader, this book tells about the concepts common to all word processing systems, then analyses all features in detail.

YOUR FIRST COMPUTER
88045A \$12.50

An easy-to-understand beginner's book to small computers. Understanding them, buying them and using them for personal and business applications.

FROM CHIPS TO SYSTEMS: AN INTRODUCTION TO MICROPROCESSORS
88063A \$19.95

Explains exactly what a microcomputer system is and how it works. Introduces fundamental concepts and covers all aspects of microprocessors and related components: internal operation, memories, interfacing and system development etc.

COMPUTERS FOR EVERYBODY
39849A \$8.95

In this easy-to-understand book it is explained how a computer can be used at home, in the office or at school. Includes a consumer's guide to computer equipment that will help the reader decide what to buy and who to buy it from.

computers hardware & techniques

USING THE 6800 MICROPROCESSOR
21512P \$13.25

This will guide the reader through the conception, configuration, writing and running of a variety of programs that demonstrate practical use of a 6800 system.

Z80 MICROCOMPUTER DESIGN PROJECTS
21682P \$20.75

This book provides a complete look at the internal architecture of the Z80, the heart of many microcomputers, and even shows how to build a microcomputer, the EX80, using this powerful chip.

MICROPROCESSOR CIRCUITS VOL. 1
21877P \$14.75

Presents basic microprocessor concepts in simple language for beginners and teaches you to construct a useful microcontroller system. Offers 30 demo circuits which take you through assembly, operation and programming of a microcontroller.

INTERFACE PROJECTS FOR THE APPLE II
69387P \$15.95

A series of interface projects that are easily built and enable the user to realise the computer's potential through project construction. Projects are primarily hardware-orientated, with some software supporting the hardware.

PET INTERFACING
21795P \$25.25

Demonstrates how to build numerous interfacing devices for PET hardware. BASIC language programs are used throughout, and the book includes a discussion of the microprocessor's internal architecture and general hardware/software interfacing.

6809 MICROCOMPUTER PROGRAMMING AND INTERFACING, WITH EXPERIMENTS
21798P \$21.95

Gives a solid understanding of how to program and interface the high-performance 6809 microprocessor. The author completely explores internal structure, addressing modes, data movement instructions, registers, arithmetic logic and test instructions for the 6809.

Z80 MICROCOMPUTER HANDBOOK
21500P \$17.50

This thorough handbook covers hardware, software and microcomputers built around the Z80.

THE \$100 AND OTHER MICRO BUSES
21810P \$13.25

The key to successful computer expansion is a complete understanding of the bus system, through which the computer communicates with peripherals. This book will give you that understanding.

MICROCOMPUTER DESIGN AND TROUBLESHOOTING
21819P \$26.75

Tells you how to design microcomputer systems and make them work without an expensive commercial development system or the need for costly test instrumentation. The author also provides a complete description of two popular microprocessors — the 8085 and the 6502.

DON LANCASTER'S MICRO COOKBOOK, VOLUME 1
21828P \$20.75

This 'cookbook' starts with the very fundamentals of microprocessors and microcomputers and takes you through number systems, codes, memory, etc, until you can work intelligently with micros.

DON LANCASTER'S MICRO COOKBOOK, VOLUME 2
21829P \$20.75

Carries on where Volume 1 left off.

APPLE INTERFACING
21862P \$15.95

Using this book, you will be able to perform useful experiments which will provide a much clearer understanding of the fundamentals of computer interfacing and computer electronics. A better understanding of interactions between hardware and software will enable you to communicate more effectively with your Apple.

MICROPROCESSOR CIRCUITS VOL. 1
21877P \$14.75

Presents basic microprocessor concepts in straightforward language for beginners. Teaches you to construct a useful microcontroller system through progressive demonstration circuits.

8080 MICROCOMPUTER EXPERIMENTS
39808A \$29.50

This 'hands on' book includes 105 experiments presenting programs and diagrams as required for clarification.

A STEP-BY-STEP INTRODUCTION TO 8080 MICROPROCESSOR SYSTEMS
39804A \$16.95

Doesn't require any electronics or computer background. This book describes the 8080 architecture and instruction set through simple examples. Some basic software is introduced.

DIGITAL CIRCUITS WITH MICROPROCESSOR APPLICATIONS

46032A \$39.50
An introductory text, this book provides readers with the basic ideas and tools needed to analyse and design digital circuits and computer systems. Discusses microprocessor computer organisation, machine language number systems and gate circuits.

MICROPROCESSOR INTERFACING TECHNIQUES

88029A \$24.95
Teaches you how to interconnect a complete microprocessor system and interface it to the usual peripherals. The hardware and software skills needed to effectively interface peripheral devices are covered along with various buss standards and A/D conversion.

PRACTICAL INTRO TO DIGITAL ICs

225B \$4.32
Introduction to digital ICs (mainly TTL 7400). Besides simple projects, includes logic test set to identify and test digital ICs. Also includes digital counter-timer.

BEGINNER'S GUIDE TO MICROPROCESSORS & COMPUTING

BP66 \$5.92
Introduction to basic theory and concepts of binary arithmetic, microprocessor operation and machine language programming. Only prior knowledge assumed is very basic arithmetic and an understanding of indices.

A MICROPROCESSOR PRIMER

BP72 \$5.92
Learning about microprocessors is easy with this book, written in a style that is easy to follow. The shortcomings of this basic machine are discussed and the reader is shown how these are overcome by changes to the instruction set. Relative addressing, index registers follow as logical progressions.

PRACTICAL COMPUTER EXPERIMENTS

BP78 \$5.92
How to build typical computer circuits using discrete logic. This book is a useful intro to devices such as adders and stores as well as a general source book of logic circuits.

THE 6809 COMPANION

BP102 \$6.56
It is not a beginners introduction to microprocessors in general but a discussion of the features of the 6809 and a reference work for the 6809 programmer in particular.

COMPUTERS & COMPUTING

YEARBOOK 1980 \$4.95
Includes beginners buying guide, the Apple, Tandy's TRS-80, the Vector MZ, introducing BASIC, S100 VDU, EPROM programmer, microcomputer power supply and lots more.

COMPUTERS & COMPUTING

YEARBOOK 1982 \$4.95
Includes disks, CP/M and your computer, learners microcomputer, programming in CHIP-8, alphasort, fast plotter, PET talk, the System 80 etc.

computing software

CP/M PRIMER

21791P \$21.95
A complete one-stop course on CP/M, the very popular operating system for 8080, 8085 and Z80-based microcomputers. Complete terminology, hardware and software concepts, startup of a CP/M system, and a complete list of CP/M-compatible software.

THE CP/M HANDBOOK (WITH MP/M)

88048A \$19.95
Contains a step-by-step description of all the CP/M command features. Designed for the beginner, the book progresses to detailed explanations of the file transfer program, the debugging program and CP/M's text editing program.

HOW TO GET STARTED WITH CP/M

39832A \$19.95
This practical book eases the reader into the essentials of the system, giving an overview of the operating system, an idea of what it will be like to use and what it can do for the reader.

AUSTRALIAN MICROCOMPUTER HANDBOOK

72505 NOW \$15.00
Normally \$25.00. A detailed buyer's guide to microcomputer systems and application packages in commercial, industrial, scientific, educational and home/hobby areas.

THE C PROGRAMMING LANGUAGE

10163P \$21.95
C is a general purpose 'low-level' programming language. It is not specialised to any particular area of application, but its absence of restrictions make it convenient and effective for many tasks.

THE 68000: PRINCIPLES AND PROGRAMMING

21853P \$19.95
An easy-to-read, systematic approach to the 68000 advanced 16-bit microprocessor. The book guides you through the complex architecture, instruction set, pinouts and interfacing techniques. Written for design engineers, programmers and students.

PROGRAMMING IN BASIC FOR PERSONAL COMPUTERS

30739P \$14.75
Simple instructions show how to give BASIC commands and statements a wide range of applications, from programming video games to developing business or scientific programs.

PROGRAMMABLE CALCULATORS

46008A \$24.95
This book suggests which calculators to buy, their possibilities and limitations, and the how-tos of programming them.

TAKE A CHANCE WITH YOUR CALCULATOR

39807A \$14.95
An introduction to modern mathematics, this book deals with programming of programmable calculators and includes probability problems.

AN INTRO TO BASIC PROGRAMMING TECHNIQUES

BP86 \$6.56
Ideal for beginners seeking to understand and program in BASIC. Book includes program library for biorhythms, graphing Y against X, standard deviations, regressions, generating musical note sequences, and a card game.

BASIC FOR EVERYONE

61481P \$19.75
349 pages of BASIC information for all purposes.

BEGINNING BASIC

39806A \$19.95
Intended for beginners, this book discusses how a programmer and a basic computer interact with the computer, problems likely to be met by the beginner, the need for and uses of documentation etc.

FIFTY BASIC EXERCISES

88056A \$17.95
Designed to teach BASIC through actual practice, this book contains graduated exercises in math, business, operations research, games and statistics. The programs were designed to run directly on a TRS-80 and will run with minor or no changes on any system with Microsoft BASIC.

INSIDE BASIC GAMES

88055A \$19.95
The medium of games teaches readers how to design error-free, interactive BASIC programs. Rules, algorithms and coding differences for the PET, APPLE II and TRS-80 are also included.

MICROSOFT BASIC

39823A \$19.95
Includes branching and loops, arithmetic in BASIC, strings, editing, arrays and files, the disk and a description of the Radio Shack Level II BASIC.

INTRODUCTION TO FORTH

21842P \$14.95
The most complete book available on the MMS FORTH version of FORTH, but also a fundamental approach to programming in all versions of FORTH. Many programming examples are provided, with direct comparisons to the Microsoft Level II BASIC version of these programs.

STARTING FORTH

42922P \$23.75
A clear and complete guide to FORTH, this book covers fundamental principles and then a full set of high-level FORTH commands. It concludes with advanced techniques and style.

A FORTRAN PRIMER

80454P \$6.95
Assumes no previous knowledge of program writing. It covers the fundamentals of the FORTRAN language, enables extensive program writing and concentrates on programming style.

INTRODUCTION TO STRUCTURED FORTRAN

46007A \$19.95
Written for the beginner, the text incorporates the new FORTRAN 77 with a discussion of structural programming. Includes a discussion of time-sharing, pseudo language programming and WATFIV statements.

MICROSOFT FORTRAN

39846A \$24.95
An introductory text on FORTRAN in general and Microsoft FORTRAN in particular. The latter is exceptionally well suited for use on microcomputers using CP/M and others of the 8080/8075/Z-80 family.

BEGINNING FORTRAN

46011A \$19.95
Introduces readers to FORTRAN. Included are references for further study, brief tutorials on key punching, flow charting, deck set-ups and matrix algebra.

QWIKTRAN

39824A \$19.95
Quick FORTRAN for Micros, Minis and Main Frames. Starts with the basic concepts of computing and Qwiktran, a fundamental subset of FORTRAN IV. Lots of examples to increase the reader's proficiency.

THE UCSD PASCAL HANDBOOK

35536P \$23.75
Language descriptions organised in a quick and easy reference are given in this book for readers with no prior experience of Pascal programming.

INTRODUCTION TO PASCAL

91522P \$19.95
The second edition of this popular book has been updated to conform to the new international standard of Pascal. The contents illustrate the design and construction of Pascal programs, involving a wide range of basic computer algorithms in a practical context.

PASCAL

46028A \$19.95
For people with little or no programming experience, this book gives lots of examples that clearly explain proper usage of language features. Discusses top-down programming, debugging, self-documentation etc.

THE PASCAL HANDBOOK

88053A \$23.50
This book summarises the entire Pascal vocabulary, including the variations introduced by different commercial versions of Pascal. All in dictionary format

PASCAL PROGRAMS FOR SCIENTISTS AND ENGINEERS

88058A \$23.50
Over 60 of the most frequently used scientific algorithms, along with their program implementation in Pascal, are in this book.

COBOL FOR BEGINNERS

39378P \$21.95
It is a solid text for introductory programming courses in Cobol, using a format that is easy to understand, yet comprehensive enough to make supplementary readings unnecessary.

STARSHIP SIMULATION

39810A \$11.95
This book offers both a specific simulation which can be implemented, modified and played, and a complete look at how to put together a simulation on almost any subject.

BASIC PROGRAMS FOR SCIENTISTS AND ENGINEERS

88073A \$19.95
This book contains scientific and engineering application programs written in BASIC.

COMPUTER GRAPHICS PRIMER

21650P \$21.95
Almost every page has a colour drawing, photograph, picture or a schematic to help you learn computer graphics quickly and easily. Programming concepts apply to all microcomputers, and examples are given in BASIC for the Apple II.

INTRODUCTION TO TRS-80 GRAPHICS

39818A \$17.95
It begins with the basic concepts of line drawing and leads the reader on to geometric shapes, moving figure animation and other more advanced topics

CIRCUIT DESIGN PROGRAMS FOR THE TRS-80

21741P \$21.75
A number of programs written to aid you in using your TRS-80 and Level II BASIC for the design and analysis of many electronic circuits. The programs analyse information on ms values, periodic waveforms, integrated circuit timers and bipolar transistor circuits

MOSTLY BASIC: APPLICATIONS FOR YOUR TRS-80

— BOOK 1
21788P \$19.25
28 ready-to-use BASIC programs which have been completely tested and debugged. Programs include a telephone dialler, digital stop-watch, spelling test house buying guide, gas mileage calculator, and others. Complete with explanations of each program, sample runs, and complete program listing

MOSTLY BASIC: APPLICATIONS FOR YOUR TRS-80

— BOOK 2
21865P \$19.25
32 ready-to-run BASIC programs, including two to test your ability in history and maths, a Dungeon of Danger that's strictly for fun, eleven household programs, seven on money and investment, two to test your ESP level, and more. Complete with explanations, sample run and listing for each program.

INTERMEDIATE PROGRAMMING FOR THE TRS-80

MODEL I
21809P \$14.95
Step-by-step instructions for the TRS-80 user who wants to progress from BASIC to machine and assembly language programming with the TRS-80 Model I system. A complete how-to guide with numerous examples.

...and for good measure...

computing for business

TRS-80 — MORE THAN BASIC

21813P \$15.95
Learn to program in Z80 mnemonics by using the book's error-tolerant interactive monitor program. Over 26 commands available, with total documentation that helps you change the commands to meet specific applications.

TRS-80 ASSEMBLY LANGUAGE MADE SIMPLE

21851P \$19.25
If you have an understanding of BASIC programming, this book will help you learn to plan, write and hand-assemble your own assembly language programs in memory, using the T-bug and Level II BASIC ROM subroutines.

PROGRAMMING THE TRS-80 POCKET COMPUTER

30531P \$13.25
This book explains all aspects of problem-solving in BASIC, and covers cassette machine interfacing and how to make the best use of the system's keyboard and display.

TRS-80 ASSEMBLY LANGUAGE SUBROUTINES

31188P \$19.25
A wide spectrum of applications is discussed in this book, which provides easy-to-use routines that can be used as they stand or modified.

32 BASIC PROGRAMS FOR THE TRS-80 COMPUTER

39827A \$29.50
Programs for the TRS-80 Level II or Model III BASIC (with 16K or more user memory).

APPLE BASIC

39099P \$19.25
This book gives the beginner a thorough introduction to BASIC programming on an Apple computer, and covers all areas of programming, including graphics, games, mathematical programs, and a great deal more.

CIRCUIT DESIGN PROGRAMS FOR THE APPLE II

21863P \$23.75
A series of ready-to-run Apple II programs ideal for electronics design engineers and others faced with solving problems related to plotting and verification of experimental data. The programs may be used as sub-routines in larger programs, and many can be translated to run on other microcomputer systems.

APPLESOFT LANGUAGE

21811P \$13.95
Written for Apple II micros that use the Microsoft language, this introduction covers each aspect of programming in non-technical language, from elementary concepts to advanced techniques.

APPLE MACHINE LANGUAGE

90230P \$21.95
This straightforward book teaches machine language programming through BASIC, the transition being made step-by-step. Many sketches of video displays are provided, as well as exercises with answers.

APPLE PASCAL GAMES

88074A \$19.95
Explore all the essential elements of UCSD Pascal and learn the important Apple Pascal extensions.

PASCAL PROGRAMMING FOR THE APPLE

95454P \$18.95
This book teaches UCSD Pascal on the Apple II. Many examples, programs for financial applications, graphics, file structures and sound reproduction are supplied.

32 BASIC PROGRAMS FOR THE APPLE COMPUTER

38834A \$29.50
Full of programs with practical applications, educational uses, games and graphics.

PET/CBM BASIC

61751P \$19.25
This book provides a thorough introduction to BASIC programming on a PET computer, explaining programming concepts for graphics, including three-dimensional letters, bar graphs and the use of sound effects in PET programs.

THE PET PERSONAL COMPUTER FOR BEGINNERS

61827P \$20.95
This handy guide is written for use with all varieties of PET computer, from the original 2001 to the new 8032 Super PET. It is suited to novices with no practical experience and provides advice and practical examples.

PET BASIC 1

95524P \$19.25
For users of the PET computer, this book covers such topics as creative graphics, humour and interesting small programs.

PET GAMES AND RECREATIONS

95529P \$18.85
Presenting an interesting mixture of diversions guaranteed to entertain and educate. Ideal for beginners, yet also challenging to computer veterans, the book features progressive levels of difficulty and five different types of games.

32 BASIC PROGRAMS FOR THE PET COMPUTER

39825A \$29.50
Each chapter fully documents a different bug-free program. If readers have a good working knowledge of BASIC, they can devise and implement their own program changes.

THE ATARI ASSEMBLER

90236P \$19.25
This practical book gives detailed instructions for using the Atari Assembler cartridge for novices with some knowledge of BASIC programming. Fundamental information programming in assembly language is given.

ATARI GAMES AND RECREATIONS

90242P \$19.25
Beginners and advanced users can use the pre-programmed games in this book to improve their skill. Charts, flash cards, an error dictionary and graph paper designs are among the features.

EXPLORE COMPUTING WITH THE TRS-80 (AND COMMON SENSE)

96137P \$17.95
This introduction to microcomputers and the BASIC language is suitable for novices and users of the TRS-80. Among the topics covered are creating tables, arts and graphics, games and simulation.

32 BASIC GAMES FOR THE EXIDY SORCERER

39835A \$29.50
Full of programs with practical applications, educational uses, games and graphics. Each chapter documents a different bug-free program.

THE ART OF PROGRAMMING THE 1K ZX81

BP109 \$6.56
This book explains how to use the features of the ZX81 including its random number generator, graphics and timer. PEEK and POKE are explained and you should learn enough to develop programs of your own.

PROGRAMMING THE 6502

88046A \$18.95
Principles of assembly language programming for the 6502 microprocessor are taught in this introductory text. Includes a discussion of trade-offs between hardware and software and detailed explanations of the 6502's internal registers and bus operation.

6502 APPLICATIONS BOOK

88015A \$17.95
Use this book and a few low-cost components to build a complete home alarm system, an electric piano, a motor speed-regulator, a time-of-day clock, a simulated traffic control system and a Morse code generator, etc.

6502 GAMES

88023A \$17.95
You learn how to play ten sophisticated games and also learn assembly language programming. Also learn the techniques of algorithm design and data structures.

8080 MACHINE LANGUAGE PROGRAMMING FOR BEGINNERS

39814A \$12.95
The book will take the reader step-by-step through the most common 8080 op codes and it will do so at a level anyone can understand.

PROGRAMMING THE Z80

88047A \$19.95
This book will enable every reader to write complete application programs for Z80-based computer systems. Includes exercises to measure progress and comprehension at each level of programming.

PROGRAMMING THE Z8000

88072A \$19.95
A complete introduction to programming concepts and techniques for use with the 16-bit, Z8000 microprocessor. Presents detailed descriptions of the architecture and functions of this 'super chip'.

START WITH BASIC ON THE COMMODORE VIC 20

97070P \$14.75
Helpful exercises and step-by-step instructions show you how to program in BASIC utilising all the graphic functions on the Vic 20.

BASIC FOR ACCOUNTANTS

80098P \$9.95
Shows accountancy students and accountants how to use a computer to perform the repetitive tasks associated with record keeping, calculating and report writing. Using the BASIC language attention is concentrated on debtors, inventory and general ledger systems.

COMPUTER BASED BUSINESS SYSTEMS

80192P \$10.95
A short introduction to the sorts of systems used by a typical business to handle its typical activities. The book aims at providing a general understanding and therefore avoids technological detail.

THE COMPUTER SOLUTION

80195P \$13.50
It should be of interest to business people contemplating, implementing or already using computer data processing or to any non-technical person curious to know why and how computers are used in Australian businesses and organisations.

SMALL BUSINESS COMPUTERS: A GUIDE TO EVALUATION AND SELECTION

81134P \$14.95
Ideal for the inexperienced user, this text emphasises management considerations in determining the feasibility, economics, evaluation, selection, contracts and practicality of installing a computer.

SMALL BUSINESS COMPUTER SYSTEMS

81136P \$14.95
This book provides a bridge between the accountant and the DP professional by explaining every step of the trading and reporting process in DP terms. It is especially useful to people engaged in the specification process or in auditing DP accounting systems.

THE VISICALC BOOK — APPLE EDITION

98397P \$22.25
If you are using Visicalc on your Apple II and want to learn more about its expanded uses then this book will show you how to build a model, enter your data and solve problems about profit/loss projections, pricing/costing estimates etc.

THE CP/M HANDBOOK (WITH MP/M)

88048A \$19.95
Containing a step-by-step description of all the CP/M command features, the book progresses to detailed explanations of the file transfer program, the debugging program and CP/M's text editing program.

YOUR FIRST COMPUTER

88045A \$12.50
A beginner's guide to small computers, understanding them, buying them and using them for personal and business applications. Includes peripherals, languages and application packages.

DON'T (OR HOW TO CARE FOR YOUR COMPUTER)

88065A \$16.95
A guide to computer and peripheral preservation. Specific advice for the computer, floppy disks, hard disks, the CRT terminal, the printer, tape units, the computer room, software and documentation are included.

INTRODUCTION TO WORD PROCESSING

88076A \$17.95
Written for the non-technical reader, this book tells about concepts common to all word processing systems, then analyses all features in detail, from screens to scrolling and formatting.

SMALL COMPUTERS FOR THE SMALL BUSINESSMAN

39831A \$24.95
The book tells readers how and where to shop for a computer successfully; what to expect their computer to do for them; how to select software; whether or not to use a consultant; how to introduce the computer to the staff and how much computer is necessary.

INVENTORY MANAGEMENT FOR SMALL COMPUTERS

39848A \$24.95
Owners of retail businesses and their employees need this book. The program provides an inventory control system so that you know what stock is on hand, where it is located, what price was paid for it and the selling price.

BASIC FOR BUSINESS FOR THE TRS-80

90352P \$22.25
This book covers the application of BASIC language to business uses on the TRS-80 models II and III.

FROM THE COUNTER TO THE BOTTOM LINE

39811A \$24.95
A demystifying guide to basic accounting needs and computer use. Includes inventory and purchasing, billing, accounts receivable, accounts payable and general ledger.

amateur radio, DX, communications

INTRODUCTION TO RADIO ASTRONOMY
21246P \$8.75

It gives background information on the structure of the universe, classification of galaxies and radio-wave propagation. It covers in detail reception of extraterrestrial radio signals and their sources and the types of antennas. It also explains how to construct several practical, low-cost radio telescopes.

TUBE SUBSTITUTION HANDBOOK
21746P \$8.75

Complete, accurate, up-to-date guide to direct substitutes for receiving and picture tubes. Contains over 6000 receiving tube substitutes, over 4000 monochrome and colour picture tube substitutes, and 600 communications substitutes. Also includes pinouts for quick operational checks.

RF CIRCUIT DESIGN
21868P \$33.95

A practical approach to the design of RF amplifiers, impedance-matching networks and filters. Uses a minimum of complex maths.

COMPUTERS AND THE RADIO AMATEUR
66306P \$28.00

For the radio operator who wants to know how computers function and how they can be used with other equipment.

SOLID STATE SHORT WAVE RECEIVERS FOR BEGINNERS
222B \$4.32

Design and construction of several solid-state shortwave receivers giving high level of performance yet utilising relatively few inexpensive components. See also 226.

HANDBOOK OF RADIO, TV, INDUSTRIAL & TRANSMITTING TUBE & VALVE EQUIVALENTS
BP2 \$2.25

Equivalents book for amateurs and servicemen. More than 18 000 old and new valves from UK, USA, Europe, Japan et al. CV (military) listings with commercial equivalents included.

RADIO CIRCUITS USING ICs
BP46 \$4.64

Describes how ICs can be employed in receivers for the reception of either amplitude or frequency modulated signals. Stereo decoder circuits and the devices available at present for quadrophonic circuits are discussed.

LONG DISTANCE TV RECEPTION (TV-OX)
BP52 \$6.56

Written by UK authority, the book includes many units and devices made by active enthusiasts. A practical and authoritative intro to this unusual aspect of electronics.

RADIO STATIONS GUIDE
BP55 \$5.92

This is an aid for all those who have a radio receiver. Shows the station site, country, frequency and/or wavelength, as well as Effective Radiation Power of the transmitter and in some cases, the station's call sign as well.

AN INTRODUCTION TO RADIO DXING
BP91 \$6.56

One section is devoted to amateur band reception and the other section covers broadcast band reception, with advice on suitable equipment and the techniques employed when using that equipment. The construction of a number of useful accessories is described.

AERIAL PROJECTS
BP105 \$6.56

Practical aerial designs including active, loop and ferrite which are relatively simple and inexpensive to build. The complex theory and mathematics of aerial design have been avoided.

general

AUTOMOTIVE TUNE-UP AND EMISSION CONTROL SERVICE
21712P \$20.75

Car owners who wish to save money and maintain their cars at peak performance will learn from this book how to adjust, repair and maintain the systems that ensure best operation.

INTRODUCTION TO AUTOMOTIVE SOLID-STATE ELECTRONICS
21825P \$14.95

For the professional as well as the home mechanic — explains the functions of most on-board automotive black boxes and logic systems, including anti-skid braking, electronic spark control, diagnostic systems and trip computers.

SECURITY ELECTRONICS
21419P \$11.25

The principles of operation of the electronic devices used in the various types of security systems are described. Intrusion detection and alarms, object detectors, bugging and debugging devices, computer protection, as well as the planning of systems.

ELECTRONIC SECURITY DEVICES
BP56 \$5.92

Besides including both simple and more sophisticated burglar alarm circuits using light, infrared and ultra-sonics, this book also gives circuits for gas and smoke detectors, flood alarms, fire alarms, doorphones, baby alarms, etc.

EXPERIMENTS IN ARTIFICIAL INTELLIGENCE FOR SMALL COMPUTERS
21785P \$13.25

Artificial intelligence is the capability of a device to perform functions normally associated with human intelligence. With this book, a small computer with extended BASIC and some knowledge of BASIC language, you can conduct interesting and exciting experiments in artificial intelligence.

TELEMATIC SOCIETY
02460P \$17.50

An extensive update of 'The Wired Society', this book demonstrates how developments in telecommunications will affect the way we live.

ELECTRONIC CALCULATOR USERS' HANDBOOK
BP33 \$5.12

Presents formulae, data, methods of calculation, conversion factors, etc, for use with the simplest or most sophisticated calculators. Includes the way to calculate using only a simple four-function calculator: trigonometric functions; hyperbolic functions; logarithms; square roots and powers.

YOUR ELECTRONIC CALCULATOR AND YOUR MONEY
BP54 \$4.64

Starts with a basic revision of percentages and decimals, then deals with mortgages, cars, insurance, fuel, shopping, tax etc. There's a section on investment and the last section deals with the calculator in a small business.

ORDER FORM

Send to ETI Book Sales, 140 Joynton Ave, Waterloo NSW 2017.

Allow 4-5 weeks for delivery. Post & Handling \$1 per book. Effective until April 30, 1983.

Please supply:

BOOK TITLE	BOOK NO.	QTY	TOTAL PRICE
.....
.....
.....
.....
.....
.....
.....
.....
.....
.....

Post and handling

I enclose TOTAL \$

Name:

Please debit my Bankcard

Expiry Date

Address:

American Express Card

Number

Postcode Signature

MINI-MART

Where readers can advertise —
For Sale/Wanted/Swap/Join

● We'll publish up to 24 words (maximum) totally free of charge for you, your club or your association. Copy must be with us by the 1st of the month preceding the month of issue. Please — please — print or type adverts clearly, otherwise it may not turn out as you intended! Every effort will be made to publish all adverts received; however, no responsibility for so doing is accepted or implied. Private adverts only will be accepted. We reserve the right to refuse adverts considered unsuitable.

● Conditions: Name and address plus phone number (if required) must be included within the 24 words. Reasonable abbreviations, such as 25 W RMS or 240 Vac, count as one word. Adverts must relate to electronics, audio, communications, computing etc — general adverts cannot be accepted. Send your advert to:

ETI Mini-Mart,
140 Joynton Ave, Waterloo NSW 2017.

AUDIO

JAYCAR 1/2 OCTAVE equaliser, fully built and tested, complete with XLR connectors, \$250. Andrew Hill, Warwick Parade, Castle Hill NSW. (02)634-1374.

FOR SALE: Midrange speakers from Sony G7 system. Brand new. \$160 pair. (02)759-8927.

SHARP GF9696 portable stereo cassette unit, 40 W, four band radio, metal tape, searcher system LED VU meters, six speakers. Bargain at \$300. (053)851-211-109 ah.

COMMUNICATIONS

TWO SIGNAL GENERATORS, Marconi TF1077/1, FM/CW, 19.7 to 102.5 MHz, attenuator 200 mV to 0.2 uV, fully metered, compact, \$140 each. (047)39-4109. VK2ASZ

FOR SALE: Teletype Model 15 pageprinter, \$70. Tape reperfector \$60. Tape reader \$50. The lot only \$130 ono. (045)70-2184 bh.

DO YOU NEED a teletype or spares? Write for details SSAE. Frank Rees, 27 King St, Boort Vic. 3537.

COMPUTERS

FOR SALE: OSI Superboard II plus 610 board, 32K RAM, disk drive, full documentation, software plus extras. \$1300 ono. (08)264-3461.

FOR SALE: DGZ80, DG640, PCG, 12K ROM BASIC, 16K RAM, monitor, cassette recorder and interface, clare keyboard, software. Featured in Computers and Computing. \$1300. (02)597-3828.

FOR SALE: S100 computer. DG680 CPU, DG640 VDU, two 16K RAM cards, BASIC in PROM motherboard, TV, GP-80 printer and manuals, \$1200. (03)232-6300.

COMPUTER CLUB (Aust): TRS-80 and System-80 Users Group. Australia wide club via modems etc. For details phone (03)397-6972.

FOR SALE: One Super 80 assembled W/PSU, S100 manuals ROM BASIC 48K, cost \$512, sell \$150. Contact Jeff (047)39-5366. Free delivery.

SELL: Exorciser buss compatible Pennywise EDC-58 disk controller. Suit ss/ds 5/8 inch floppies. Presently working, \$200. R. Hansberry, 5/41 Paxton St, E. Malvern Vic. 3145. (03)25-8940 or (03)606-5541.

OSI SUPERBOARD II, Series II, DABUG III, 1/2 MHz, 300/2400 baud in-built cassette, RTC, 16K RAM, 10A PSU, all in fibreglass case, 14" monitor, over 100 programs, \$599. G. Eakins, Warrandyte Rd, Langwarrin Vic. 3910. (059)78-2381 ah.

DISK DRIVES for sale. Two as new MPI52 double sided, double density, 500K drives. \$850 ono. Phone Tony Saul (07)356-9134 (after 6 pm).

FOR SALE: System 80 with built-in sound, manuals, loads of software, Micro-80 magazines with tapes. Everything \$645. Phone (03)580-1668 after 5pm. Parkdale.

MICROBEE OWNERS Interested in forming users group in Bendigo (Vic.) area contact Bruce Willson, 38 Nolan St, Bendigo. (054)43-0311 bh or (054) 42-3046 ah.

TO SELL: ZX81 1K — adaptor, tapes, leads, manual. \$225 or price negotiable. Write to Poseidon Software, 72 May St, Preston Vic. 3072.

MODEM FOR SALE, 1200 BPS, half duplex, tested OK, full RS232 interface, Telecom approved, \$50. (02)406-5338 ah.

BUSINESS COMPUTER: WANG 2200T, VDU, cassette, EPROM programmer (with software), disk/printer controllers, many spares, \$800. Centronix 701 matrix printer, \$750. Phone Denny (02)651-2143.

SOLAR SYSTEM: moving graphics model for ZX81/16K. View any year. Variable speed and viewpoint. All planets and asteroids. \$15 (P+P) Incl. tape. P.M. Connor, P.O. Box 1, Kuranda Qld. 4872.

COPY16: Backup 16K programs using 16K TRS-80, System-80. SAE for info. \$13.50 for tape. Ray Peverill, P.O. Box 78, Sale Vic. 3850.

WANTED: ZX80/81S for wreckling. Write, quoting asking price and condition to Helge Nome, c/o P.O. Ravenshoe N. Qld 4872.

\$100 BOARDS: 16K static RAM, new \$185. 16K ROM with Z80 BASIC, new \$160. MW640 VDU, \$130. ONO on each. Dean (058)21-4141.

WANTED: Fairchild type 4710 CMOS 64-bit RAMs. Price and number to P.O. Box 211, Caulfield East Vic. 3145 or phone (03)568-2224 ah or (03)573-2463 bh.

FOR SALE: SBC2650 with SCVT100, 32K. Also 2650, KT1500 8K RAM. Lots of software on tape including RTTY receive and transmit. VK2MJ Ken (0649)51624 QTHR.

MISCELLANEOUS

FOR SALE: 19 inch STANDARD RACK console. Walls steel, dk. green, sides and rear locking hinged panels. Height 75 inches, depth 19 inches, \$100. (03)870-2842.

WANTED: PROPORTIONAL model radio control, one to three channels with servo(s) and/or similar circuit diagram, one to six channels. Nathan Spence, 'Coolawong' Acland Qld 4352.

HEAPS OF MAGS to sell. ETI, EA, PE, PW, Radioelectronics, etc. Send SSAE for complete listing and prices. Frank Rees, 27 King St, Boort Vic. 3537.

SELL: TEKTRONIX 2213 oscilloscope, mint condition. Cost \$1916 duty and tax paid, sell \$1500. (02)759-8927.

FOR SALE: One CRO BWD 1956 valve type in working condition with X and Y diff amps and handbook, \$100. (03)743-5975 ah.

FOR SALE: One Bellco mini A/4/60 min T66 17, 240 Vac, four cam motorised switch. Cost \$195, sell \$100. (03)743-5975 ah.

FOR SALE: Modules for 'Speak and Spell'. All new in boxes. Grades 1-3, 4-5, 7-8. \$15 each. (03)870-2842.

SELL: 10 channel light chaser with 32 programmed patterns, TTL output, details supplied on 240 Vac drivers, \$250. J. Williams, P.O. Box 5366, Toowoomba Qld. 4350. (076)34-3243.

— from page 103.

Readers of Tom Moffat's article on 'Roehn Functions' in the MicroBee column should be advised that the whole thing is pure claptrap, written in celebration of the beginning of April!

The Gutenberg Transform program turns the MicroBee's entire character set into a mirror image of itself. Anyone who has already tried it out then attempted to put it back right by running the program a second time will have sent the MicroBee into a monumental crash, with recovery possible only by conducting a cold start (Escape and Reset Keys together).

As Tom says, "GOT YA THAT TIME!...(HO-HO-HE-HE-HAR-HAR-HAR...)"

DREGS

WHAT WITH this month's feature project being a robot and all, the dreaded Dregs Design Draughting Team decided to dedicate some delirious doodling to the problem of designing a *truly Australian* robot.

Now, robot creatures of all sorts are positively *legion*. Every modern body of greater than binearal, monosynaptic intelligence has heard of R2D2. Sorry to disappoint you folks, but our pangalactic, auriculotonic little friend is not really a robot (See ETI, December '78, Inside Star Wars). No matter, Heathkit have their HERO (Heath Educational RObot), a strolling, talking, singing beast with one arm.

Way back, there was the 'mouse' genus — dull creatures that could barely find their way around a maze, and 'turtles'/'terrapins' — so-called because of their resemblance to the real creatures (especially their ambulatory velocity). These had the unique ability to draw.

Latterly, one of ETI's UK associates, Hobby Electronics, featured the 'HEBOT', a turtle-like creature, but with racier habits.

No doubt to ride the wave of R2D2 popularity, RB Robot Corp. in the US produced the RB5X. It's very reminiscent of our little pangalactic movie hero, but a whole lot smarter. For a start, it comes with 'tactile' sensors

and can respond to objects in its path, learning how to get around its own environment. RB5X can seek out its battery charger and charge itself. What's more, you can add an ultrasonic rangefinder and pulsating lights. Wow!

While all credit should go to Flexible Systems for their Tasman Turtle, a *turtle* is not a creature folks the world over can *really* associate with Australia. Kangaroos, yes. Koalas, yes. Turtles, no.

Now, a kangaroo robot was carefully considered by the Dregs Design team. We came to the conclusion that a kangaroo, while a fine creature in itself, was really a grasshopper designed by a public service committee. i.e. spent too much money and made it bigger than necessary for the job. While bounding robots may one day make their appearance, we felt the world was not yet ready (let alone technology).

Koalas are cute, but that's where it ends.

Then, a recent news item came to our notice. Wombats were in great demand by zoos of the world. It struck us that *here* was a creature, wholly recognisably Australian, suitable for robotic emulation.

So, the Dregs Design team produced ... **The Wollongong Wombat!**


Made with a rolled steel chassis and clad in corrugated iron (after all, he comes from Wollongong!), this little fellow has many unique features.

His two forward sensors (eyes) are coupled to the internal microprocessor via a special filter so that he ignores (a) fences, and (b) cars — just like the real thing! Hence the rolled steel chassis. A special drawing attachment (a la the turtle robot species) was added, but has not yet been perfected. Rather than drawing a line where he's been, he leaves big brown stains.

Frontal probes (whiskers) seek objects in his path and the internal microprocessor assesses whether to pass around them (i.e. it might be a lump of granite) or see if said objects are suitable for consumption.

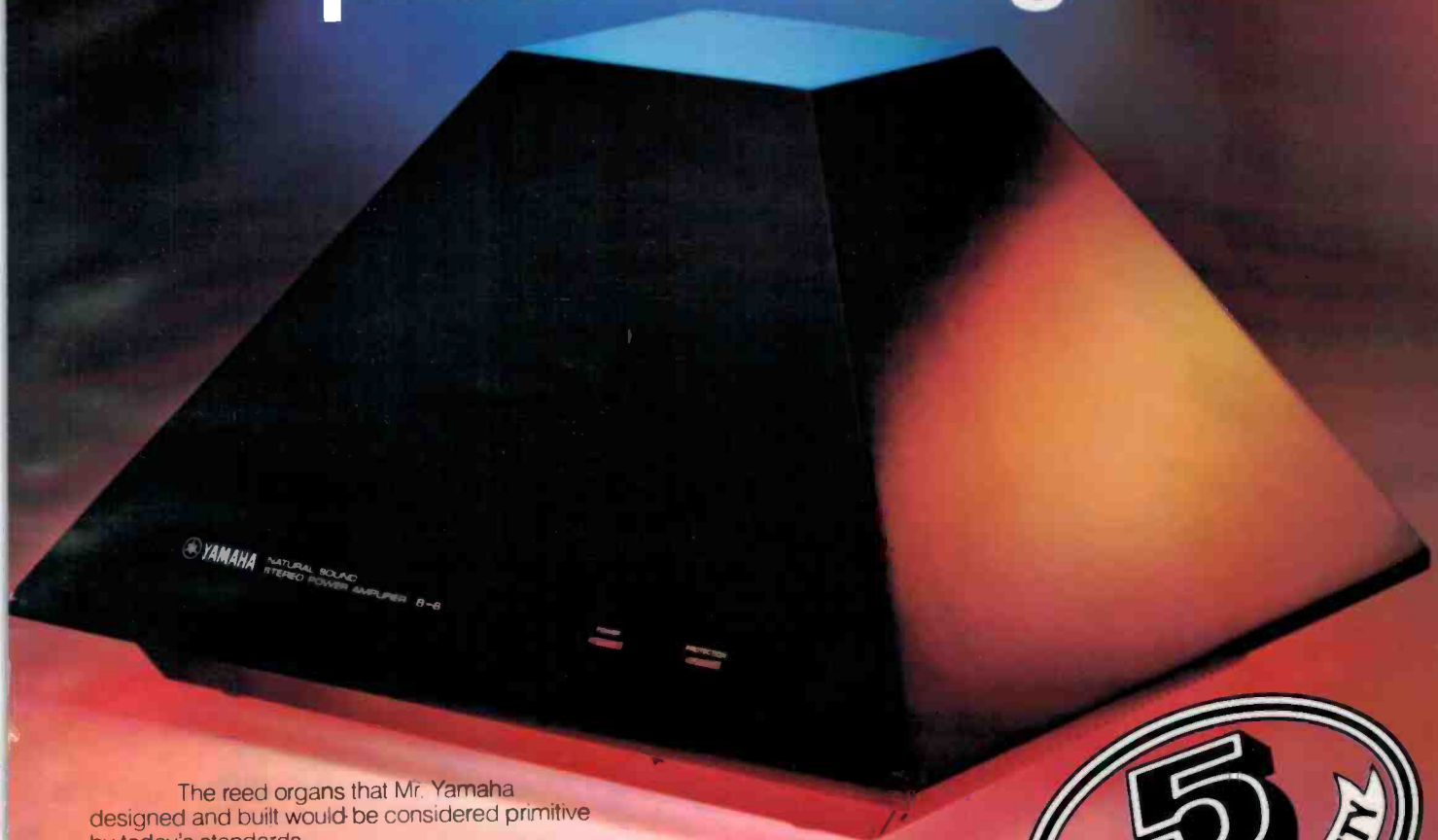
You guessed it, the Wollongong Wombat has the same *disgusting* masticatory habits as his animate namesake — he eats roots, shoots and leaves!

(At this point, we leave it to readers to *imagine* what other wombat habits the Dregs Design Team included ... Ed.)



... hello? ETI Technical enquiries? Can I speak to David Tilbrook? I've got this problem with one of your projects ...

This remarkable amplifier was developed over 95 years from a primitive reed organ.



The reed organs that Mr. Yamaha designed and built would be considered primitive by today's standards.

But in 1887 they were hailed as the world's finest.

Since then, Yamaha has become the world's largest maker of high quality musical instruments; from flutes to flugal horns, from clarinets to concert grands.

But our audio equipment is perhaps our proudest achievement.

The pyramid-shaped B-6 amplifier illustrated above for instance, is just as much 'state-of-the-art' now as Mr. Yamaha's reed organs were 95 years ago. And though technology has changed, the Yamaha principle hasn't.

All of our audio equipment, just like our fine musical instruments, is designed, crafted and ruthlessly tested by musicians. Just like our reed organs almost a century ago.

Indeed, the trained ear rather than a computer will always be the final arbiter of perfection.

And naturally the perfection that our musicians require and that our heritage demands, cannot be achieved by cutting corners or trimming costs.

Which may explain Yamaha's premium pricing and the full five year warranty we give all our audio equipment.

Simply, Yamaha precision audio equipment will reward those whose passion for perfection matches their means with a lifetime of the finest, most natural sound reproduction.

Please send me the latest Yamaha Hi-Fi Catalogue

Name

Address

Send to: Yamaha Hi-Fi Catalogue,
Rose Music Pty. Ltd., 17-33 Market Street,
South Melbourne Vic. 3205



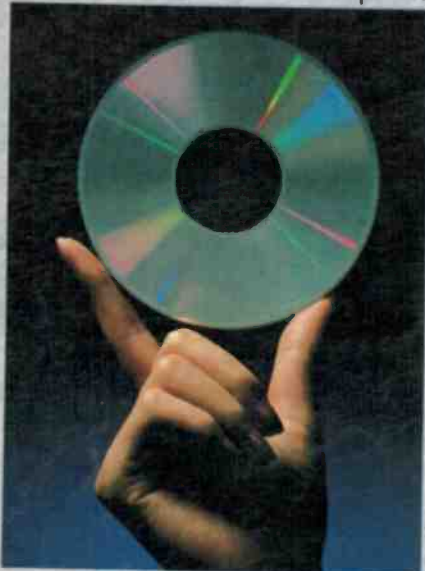
MCFRIM3863E

SONY
THE ONE AND ONLY

The Sony CDP101

The magic of digital audio becomes a magnificent reality.

Digital Audio is a revolution. The greatest advance in home music reproduction since the gramophone record. As you'd expect, Sony is the leader of this revolution with its magnificent CDP-101 player that offers you original studio master quality at home.



For the technically minded, the specifications read more convincingly than any superlatives

- flat frequency

- response over the entire audible range
- dynamic range and signal to noise ratio over 90dB
- perfect channel separation
- immeasurable wow and flutter
- negligible distortion.

Sony's CDP-101 uses an optical laser pick-up (incorporating three micro processors), it is easier to use than a conventional turntable and connects easily to your existing system.

Other features include

- fully automatic linear skate front disc loading

- automatic music sensor
- dual function digital readout of playtime
- audible fast forward and reverse
- 10 function wireless remote control.

Compact Discs Last Forever

Just 12 cms in diameter, the Compact Disc plays up to 60 minutes of music. It's protected from scratches, dust and finger prints by a plastic coating; and because the pick-up is a laser beam, deterioration is non-existent. Reproduction remains perfect virtually forever.

Hundreds of titles will be available with many more to follow from major companies such as CBS.

CDP-101 Specifications

Frequency Range	5Hz-20Hz \pm 0.5dB
Dynamic Range	more than 90dB
S/N	more than 90dB
Channel Separation	more than 90dB (at 1kHz)
Harmonic Distortion	less than 0.004% (at 1kHz)
Wow and Flutter	immeasurable



The CDP-101 will be generally available May 1 throughout Australia but for a demonstration now, contact Sony for the name of your nearest dealer.
Sydney (02) 266 0655, Adelaide and N.T. (08) 212 2877, Brisbane (07) 44 6554, Perth (09) 323 8686,
Melbourne (03) 419 3133, Launceston (003) 44 3078, Wollongong (042) 715777.

SON 0340